

## 400700 to 400799

# Illustrated Parts List

## Model Series

### 400700 to 400799

#### TYPE NUMBERS

1110, 1111, 1200,  
1201, 1202, 1203,  
1205,  
1208 through 1222,  
1224, 1234, 1235,  
1237, 1238, 1239,  
1500, 1502,  
1505 through 1511,  
1520, 4002.

#### TO FIND

#### THE CORRECT NUMBER OF THE PART YOU NEED: FOLLOW THE INSTRUCTIONS BELOW

- A. Refer to Engine Model, Type and Code Number that is stamped on the blower housing of engine. Engine type numbers such as 0123 01 are listed only as 0123 in most instances. The two digits (01 or 02, etc.) to the right of the space may be required for more accurate parts identification in some instances. Select the Illustrated Parts List covering the correct Model Series and Type Number.
- B. Refer to the Illustrations and compare the original part with Illustration. The number next to the illustration is the Reference Number. Assemblies include all parts shown in frames. All parts shown in assembly frames having individual reference numbers can be purchased separately.
- C. After the Reference Number has been identified, refer to the Numerical text, where Reference and Primary Part Number are listed. **THE PRIMARY PART IS USED ON ALL TYPE NUMBERS EXCEPT THOSE TYPE NUMBERS UNDER "NOTE."**
- D. If a "Note" appears below the Primary Part Number, it means that this part differs from the Primary Part for certain types. If your Type number is listed under "Note," order the part referred to at the "Note."
- E. If your Engine Type Number does not appear after any part number listed under "Note," use the Primary Part Number.
- F. For Engine Type Numbers not covered by this book, check other Parts Lists having the same engine model or contact your source of supply.

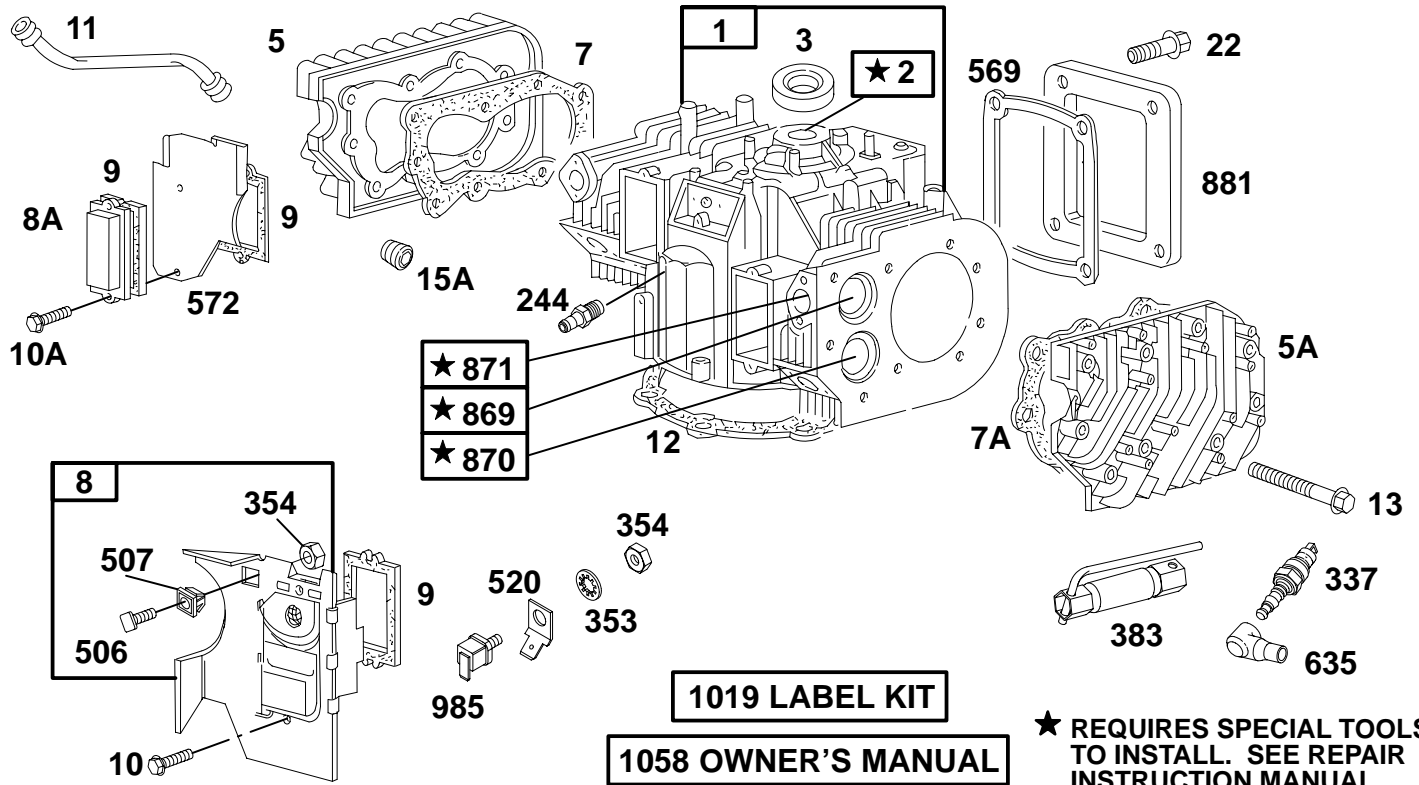
PRINTED IN U.S.A.

COPYRIGHT©

**BRIGGS & STRATTON**

®

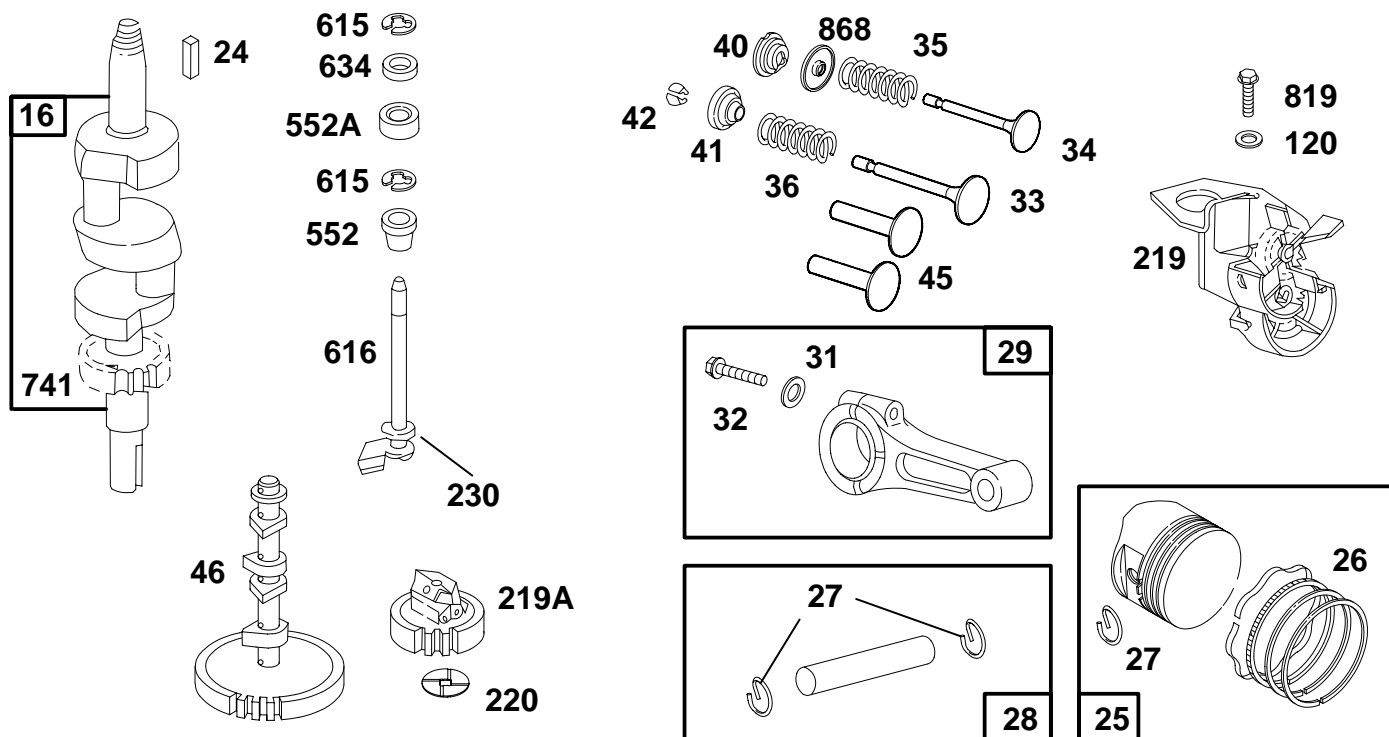
# 400700 to 400799



REF. NO.	PART NO.	DESCRIPTION	REF. NO.	PART NO.	DESCRIPTION	REF. NO.	PART NO.	DESCRIPTION
1		Cylinder Assembly <b>See Last Pages.</b>			<b>94382</b> Screw-Hex. (Used Before Code Date 93091300).	506	<b>231174</b>	Screw-Terminal (Used Before Code Date 93022200).
2	<b>399265</b>	Bushing	11	<b>280225</b>	Tube-Breather	507	<b>280180</b>	Insulator (Used Before Code Date 93022200).
3	★ <b>391086</b>	Seal-Oil	12	★ <b>271703</b>	Gasket-Crankcase (.015" Thick)	520	<b>93722</b>	Terminal
5	<b>493457</b>	Head-Cylinder (Cyl. #1)			★ <b>271188</b> Gasket-Crankcase (.005" Thick)	569	★ <b>272062</b>	Gasket-Base
5A	<b>493458</b>	Head-Cylinder (Cyl. #2)			★ <b>271189</b> Gasket-Crankcase (.009" Thick)	572		Guide-Air <b>See Last Pages.</b>
7	★ <b>271867</b>	Gasket-Cyl. Head (Cyl. #1)	13	<b>94565</b>	Screw-Hex.	869	<b>261463</b>	Seat-Valve (Intake)
7A	★ <b>271868</b>	Gasket-Cyl. Head (Cyl. #2)	15A	<b>94497</b>	Plug-Pipe	870	<b>213316</b>	Seat-Valve (Exhaust)
8	<b>398065</b>	Breather AsHex.bly (Cyl. #1)	22	<b>94833</b>	Screw-Hex.	871	<b>261961</b>	Bushing-Guide (Exhaust Valve) <b>Note</b> <b>231218</b> Bushing-Guide (Brass) (Intake Valve)
8A	<b>222892</b>	Cover-Breather (Cyl. #2) (Used Only on Ref. 572 Air Baffle With Holes for Mounting)	244	<b>230318</b>	Connector	881	<b>222860</b>	Plate-Cover
9	★ <b>27803</b>	Gasket-Breather	337	<b>802592</b>	Plug-Spark <b>Note</b> <b>394539</b> Plug-Spark (2 3/8" High, 62 mm) (Resistor Type)	985	<b>398525</b>	Insulator
10	<b>94382</b>	Screw-Hex.	383	<b>89838</b>	Wrench-Spark Plug	1019	<b>491260</b>	Label Kit
10A	<b>94830</b>	Screw-Hex. (Used After Code Date 93091200). <b>Note</b>	635	<b>66538</b>	Boot-Spark Plug	1058	<b>272112</b>	Owner's Manual
			353	<b>92791</b>	Washer-Lock			
			354	<b>90576</b>	Nut-Hex.			

- ★ Included in Gasket Set-Part No. 491856.
- Included in Carburetor Kit-Part No. 491539.
- Included in Pump Repair Kit-Part No. 393397.

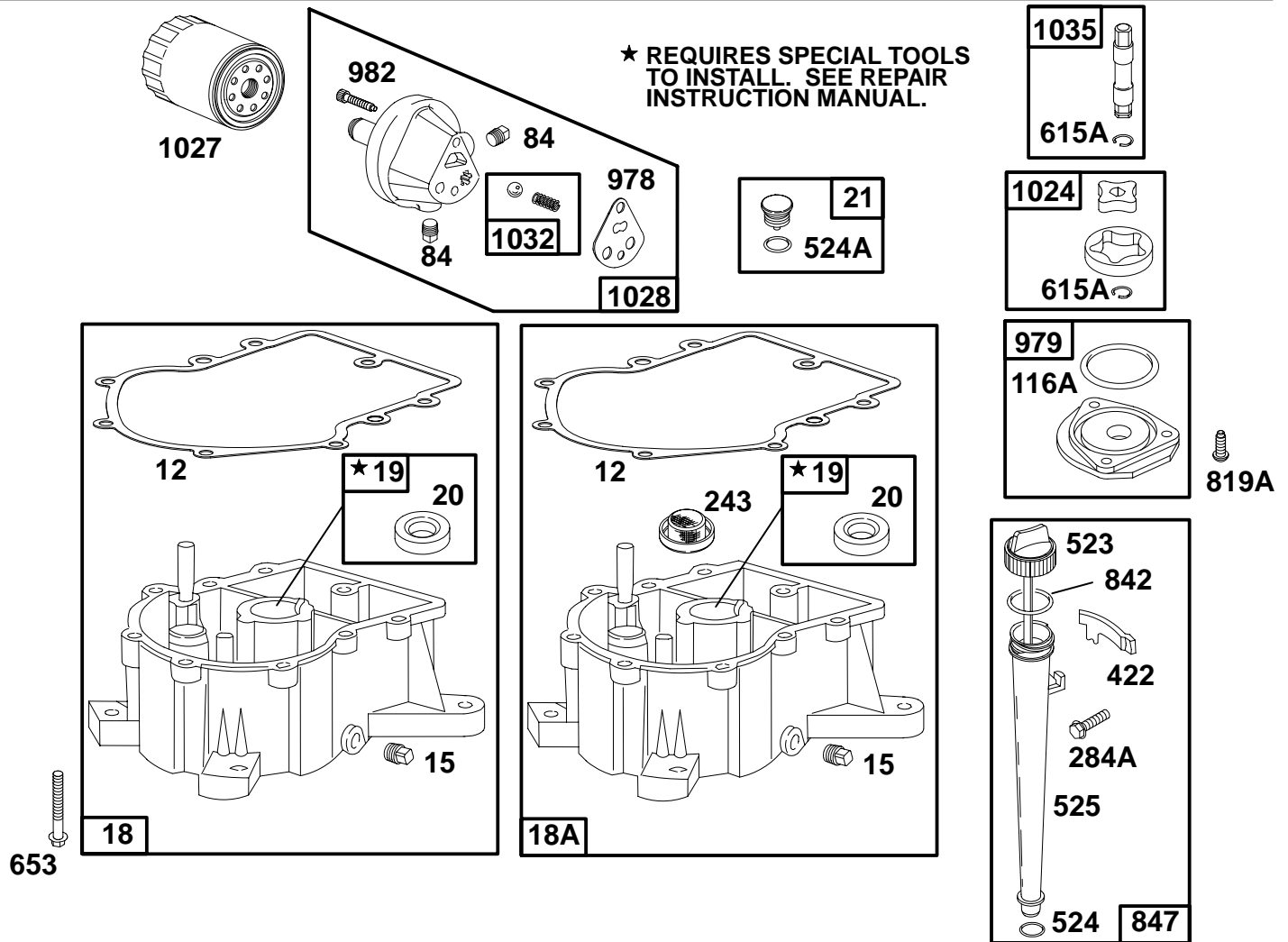
**400700 to 400799**



REF. NO.	PART NO.	DESCRIPTION	REF. NO.	PART NO.	DESCRIPTION	REF. NO.	PART NO.	DESCRIPTION
16	393382	Crankshaft <b>Note</b> For Timing Gear Key Order Part No. 94196. 393523 Crankshaft Used on Type No(s). 1505. 493236 Crankshaft Used on Type No(s). 1201, 1203, 1219.	27	260924	Lock-Piston Pin	34	261528	Valve-Intake
24	222698	Key-Flywheel	28	299691	Pin-Piston (Standard) 391286 Pin-Piston (.005" O.S.)	35	65906	Spring-Valve
25	394955	Piston Assy. (Standard) 394956 Piston Assy. (.010" O.S.) 394957 Piston Assy. (.020" O.S.) 394958 Piston Assy. (.030" O.S.)	29	393270	Rod-Connecting (Standard) 393714 Rod-Conn. (.020" Undersize) 492667 Rod-Conn. (Standard) Used on Model Series 400777. 492911 Rod-Conn. (.020" Undersize) Used on Model Series 400777.	36	26828	Spring-Valve
26	394959	Ring Set (Standard) 394960 Ring Set (.010" O.S.) 394961 Ring Set (.020" O.S.) 394962 Ring Set (.030" O.S.)	31	220863	Washer (Used Before Code Date 92083100).	40	221596	Retainer-Valve
			32	94671	Screw-Hex. (Used After Code Date 92083000). <b>Note</b> 92909 Screw-Hex. (Used Before Code Date 92083100).	41	292260	Retainer-Valve
			33	390420	Valve-Exhaust	42	93630	Keeper-Valve (2)
						45	261368	Tappet-Valve
						46	213520	Gear-Cam (Used After Code Date 90031800). <b>Note</b> 212968 Gear-Cam (Used Before Code Date 90031900).
						120	92290	Washer-Lock
						219	393415	Slinger-Oil
						219A	394348	Gear-Governor
						220	222773	Washer-Thrust
						230	223882	Washer
						552	262332	Bushing-Governor
						552A	262331	Spacer
						615	94296	Retainer
						616	491530	Crank-Governor
						634	491287	Seal-Governor Shaft
						741	262694	Gear-Timing
						819	94675	Screw-Hex.
						868	393606	Seal-Valve

- ★ Included in Gasket Set-Part No. 491856.
- Included in Carburetor Kit-Part No. 491539.
- Included in Pump Repair Kit-Part No. 393397.

# 400700 to 400799



REF. NO.	PART NO.	DESCRIPTION	REF. NO.	PART NO.	DESCRIPTION	REF. NO.	PART NO.	DESCRIPTION
12	★271703	Gasket-Crankcase (.015" Thick)	116A	★280801	O-Ring	847	495715	Tube Assembly-Oil
	★271188	Gasket-Crankcase (.005" Thick)	243	491722	Screen-Oil Pump Cap-Oil Fill	978	★272060	Gasket
	★271189	Gasket-Crankcase (.009" Thick)	523		<b>See Last Pages.</b>	979	492197	Cover-Oil Pump
			524	★271157	Seal-Fill Tube	982	94362	Screw-Socket
			524A	★271485	Seal-Plug	1024	492196	Pump-Oil
			525		<b>See Last Pages.</b>	1027	491056	Filter-Oil
15	94239	Plug-Oil Drain	615A	94400	Ring-Oil Pump	1028	491721	Adapter-Oil Filter
		<b>Note</b>	653	93585	Screw-Hex.			<b>Note</b>
		94613 Plug-Pipe (Hex. Socket Head)			<b>Note</b>			492675 Adapter-Filter (Remote)
18	493304	Sump-Engine			93730 Stud			<b>Use(s):</b>
18A	492575	Sump-Engine			90366 Washer-Lock			492061 Filter Kit (Remote) (18" Hose)
19	399264	Bushing			22963 Washer			<b>Or</b>
20	★291675	Seal-Oil	819A	94410	Used on Type No(s). 1209, 1222, 1506.			492062 Filter Kit (Remote) (30" Hose)
21	399195	Plug-Oil Fill			819A Screw			
84	91488	Plug, Pipe			842 Seal-Cap			
					<b>See Last Pages.</b>	1032	491710	Spring-Compression
						1035	492589	Shaft-Pump

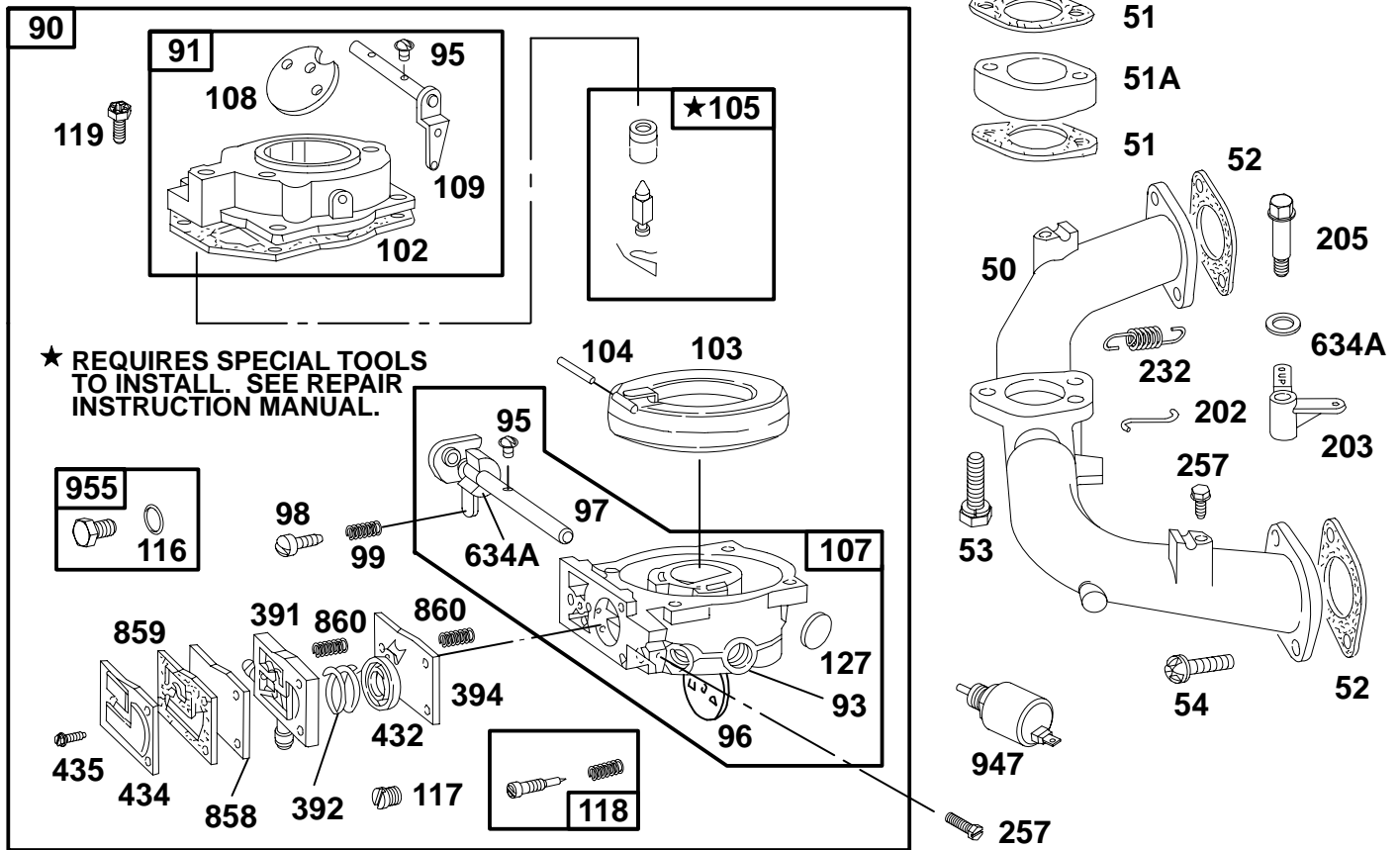
- ★ Included in Gasket Set-Part No. 491856.
- Included in Carburetor Kit-Part No. 491539.
- Included in Pump Repair Kit-Part No. 393397.

9488-4

Assemblies include all parts shown in frames.

65

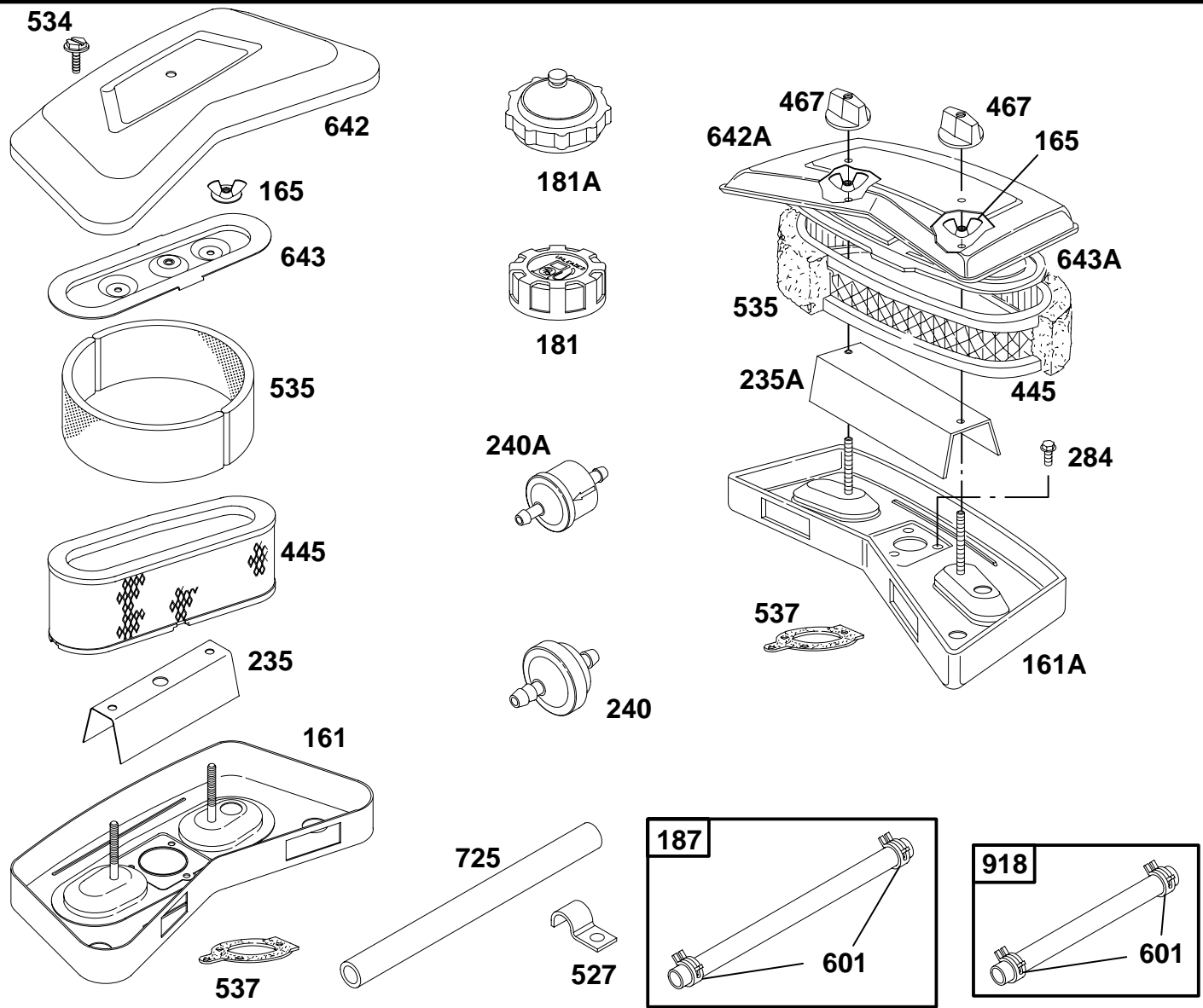
**400700 to 400799**



REF. NO.	PART NO.	DESCRIPTION	REF. NO.	PART NO.	DESCRIPTION	REF. NO.	PART NO.	DESCRIPTION
50	213290	Manifold-Intake	99	26157	Spring-Throttle Adj.	118	●491538	Valve-Idle Adjustment
51	★271412	Gasket-Intake	102	●271607	Gasket-Carburetor Body	119	94152	Screw-Hex.
51A	280319	Spacer				127	●223472	Plug-Welch
52	★270884	Gasket-Intake				202		Link
53	93970	Screw-Hex.						<b>See Last Pages.</b>
54	93208	Screw-Hex.				203		Crank-Bell
90	495181	Carburetor (Used After Code Date 93063000).						<b>See Last Pages.</b>
		<b>Note</b>						
	495026	Carburetor (Used Before Code Date 93070100).	103	298514	Float-Carburetor	205	93971	Screw-Hex.
91		Body Assembly-Upper <b>See Last Pages.</b>	104	●230896	Pin-Float Hinge	232	262539	Spring-Link
93	231209	Bushing-Throttle Shaft	105	●394683	Valve-Needle	257	93897	Screw-Hex.
95	93499	Screw-Hex.	107	491543	Body Assy.-Lower (Used After Code Date 93063000).	391	280197	Body-Pump
96	221939	Valve-Throttle (Used After Code Date 93063000).				392	■●261395	Spring-Diaphragm
		<b>Note</b>				394	■●270988	Diaphragm-Carburetor
	223370	Valve-Throttle (Used Before Code Date 93070100).				432	■●221377	Cap-Spring
97	392672	Shaft-Throttle				434	223688	Cover-Diaphragm
98	91920	Screw-Slotted				435	93829	Screw-Hex.
						634A	●271013	Washer-Foam
			108	223534	Valve-Choke	858	■●270989	Diaphragm-Carburetor
			109	392673	Shaft-Choke	859	■●271025	Gasket-Pump
			116	★280474	O-Ring	860	■●261358	Spring-Diaphragm
			117		Jet-Main	947	397266	Solenoid-Fuel
						955	397882	Plug
								<b>See Last Pages.</b>

★ Included in Gasket Set-Part No. 491856.  
 ● Included in Carburetor Kit-Part No. 491539.  
 ■ Included in Pump Repair Kit-Part No. 393397.

# 400700 to 400799



REF. NO.	PART NO.	DESCRIPTION	REF. NO.	PART NO.	DESCRIPTION	REF. NO.	PART NO.	DESCRIPTION
161	496599	Base-Air Cleaner	235	224995	Shield-Fuel Spray	601	93053	Clamp-Hose
161A	398826	Base-Air Cleaner	235A	224039	Shield-Fuel Spray	642	225008	Cover-Air Cleaner
165	94289	Nut-Wing	240	394358	Filter-Fuel	642A	223579	Cover-Air Cleaner
181	493988	Cap-Fuel Tank	240A	493629	Filter-Fuel	643	496700	Retainer-Air Filter
181A	397975	Cap-Fuel Tank	284	94264	Screw-Hex.	643A	223714	Retainer-Air Filter
187	299146	Line-Fuel (Cut to Required Length)	445	394019	Filter-Air	725	280866	Shield-Heat
		<b>Note</b>	467	212706	Knob	918	393815	Line-Vacuum
		393815 Line-Fuel (Cut to Required Length)	527	223167	Clamp-Tube			
			534	94823	Screw-Slotted Hex.			
			535	272490	Filter-Air			
			537	★271411	Gasket-Air Cleaner			

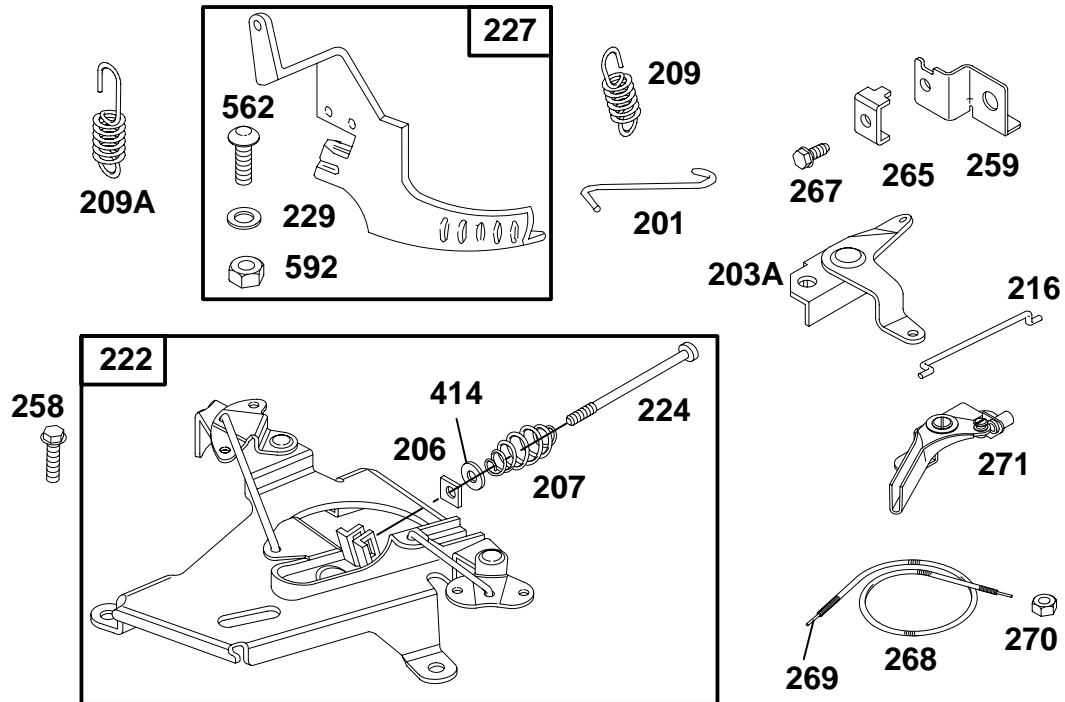
- ★ Included in Gasket Set-Part No. 491856.
- Included in Carburetor Kit-Part No. 491539.
- Included in Pump Repair Kit-Part No. 393397.

9488-6

Assemblies include all parts shown in frames.

65

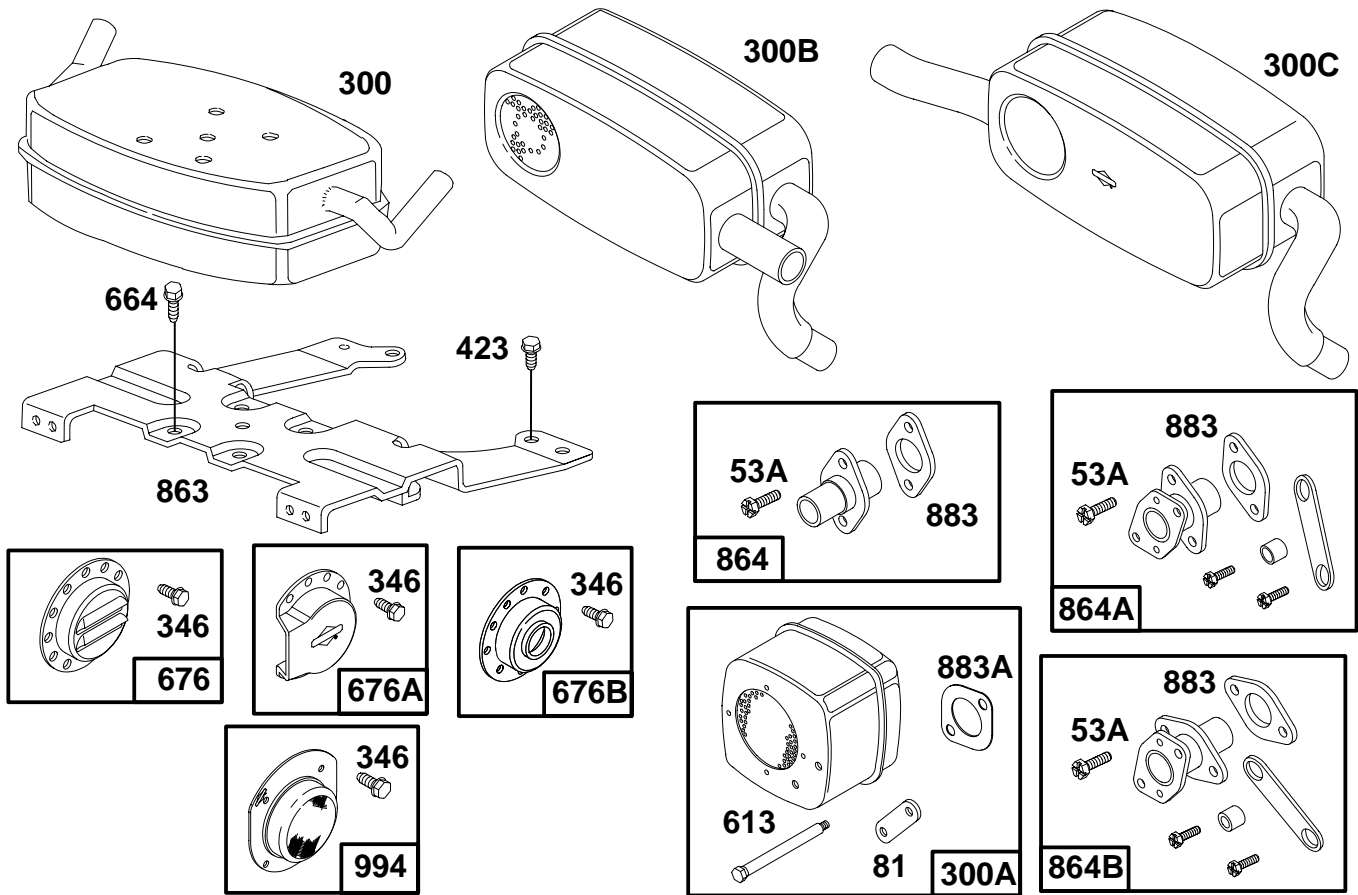
**400700 to 400799**



REF. NO.	PART NO.	DESCRIPTION	REF. NO.	PART NO.	DESCRIPTION	REF. NO.	PART NO.	DESCRIPTION
201	262683	Link (Used After Code Date 89120300).	258	93949	Screw—Hex.	269	26633	Wire—Control (78" Long)
		<b>Note</b>	259	223890	Bracket—Choke			<b>Note</b>
		493230 Link (Used Before Code Date 89120400).	265	221535	Clamp—Casing			If Longer Wire is Required, Specify Length in Inches; if Shorter Wire is Needed, Order and Cut to Required Length.
203A	490207	Crank—Bell			<b>Note</b>	270	63426	Locknut—Casing
206	94298	Nut—Square	267	93496	Screw—Hex.	271	290568	Lever—Control
207	262337	Spring—Control Rod	268	65616	Casing—Wire (72" Long)	284A	93469	Screw—Hex.
209		Spring—Governor			<b>Note</b>	414	220680	Washer
		<b>See Last Pages.</b>			If Longer Casing is Required, Specify Length in Inches; if Shorter Wire is Needed, Order and Cut to Required Length.	422	222875	Bracket—Oil Fill
209A	261563	Spring—Governor				562	93853	Bolt—Carriage
216	262375	Link				592	92278	Nut—Hex.
222	491282	Bracket—Control						
224	94297	Screw—Torx®						
227	491297	Lever—Governor						
229	222289	Washer						

- ★ Included in Gasket Set—Part No. 491856.
- Included in Carburetor Kit—Part No. 491539.
- Included in Pump Repair Kit—Part No. 393397.

# 400700 to 400799

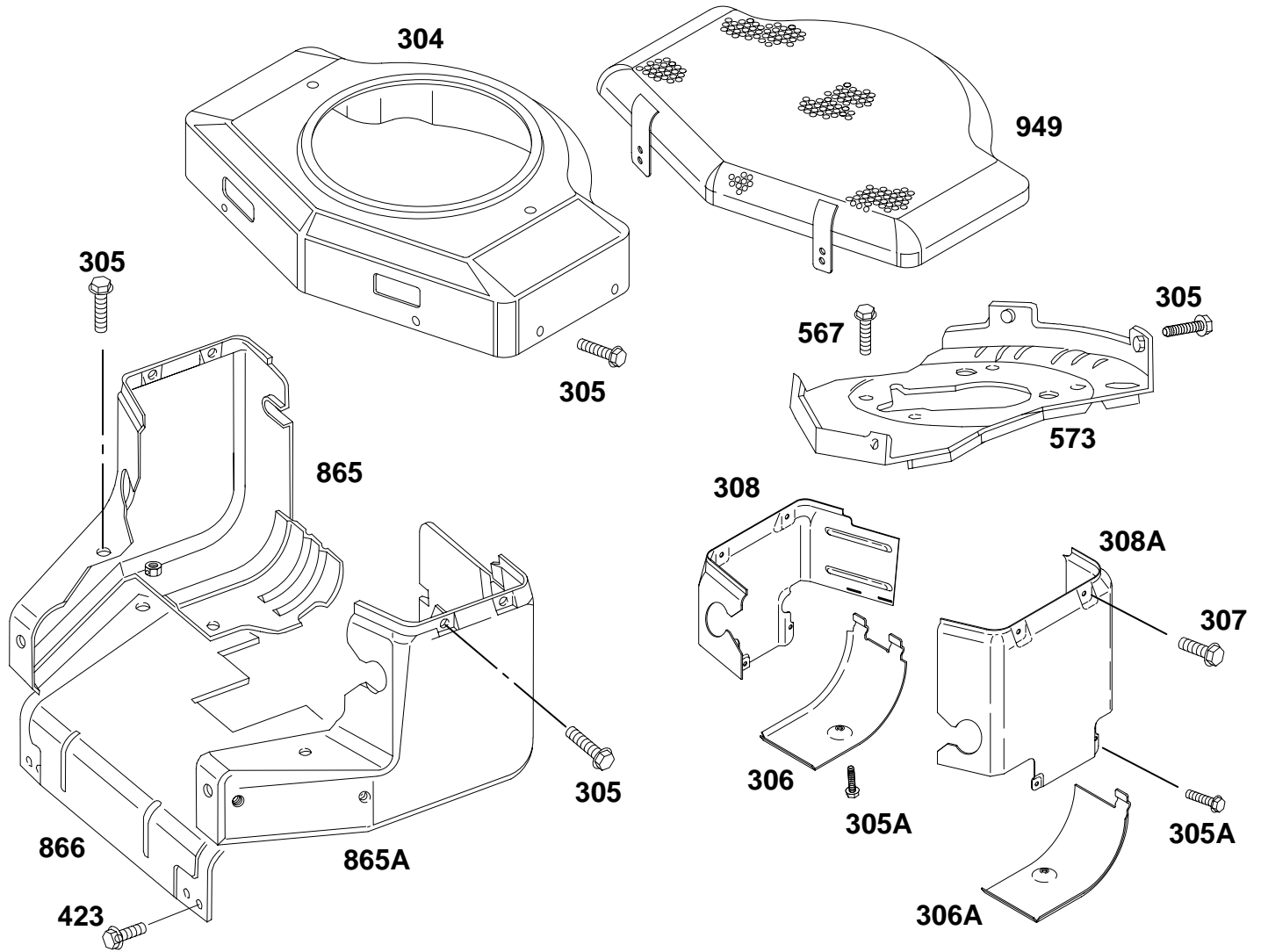


REF. NO.	PART NO.	DESCRIPTION	REF. NO.	PART NO.	DESCRIPTION	REF. NO.	PART NO.	DESCRIPTION
53A	93415	Screw-Hex.	613	93927	Screw-Hex.	864A	490358	Adapter-Muffler (Cyl. #1)
81	223016	Lock-Screw	664	93343	Screw-Hex.	864B	490357	Adapter-Muffler (Cyl. #2)
300	491319	Muffler-Exhaust	676	397630	Deflector-Muffler	883	*272250	Gasket-Exhaust
300A	399635	Muffler-Exhaust	676A	393761	Deflector-Muffler	883A	*272293	Gasket-Exhaust
300B	494436	Muffler-Exhaust	676B	396903	Deflector-Muffler	994	392390	Arrester-Spark
300C	495898	Muffler-Exhaust	863	224007	Bracket-Muffler			
346	93705	Screw-Hex.	864	398349	Adapter-Muffler			
423	93876	Screw-Hex.						

- ★ Included in Gasket Set-Part No. 491856.
- Included in Carburetor Kit-Part No. 491539.
- Included in Pump Repair Kit-Part No. 393397.



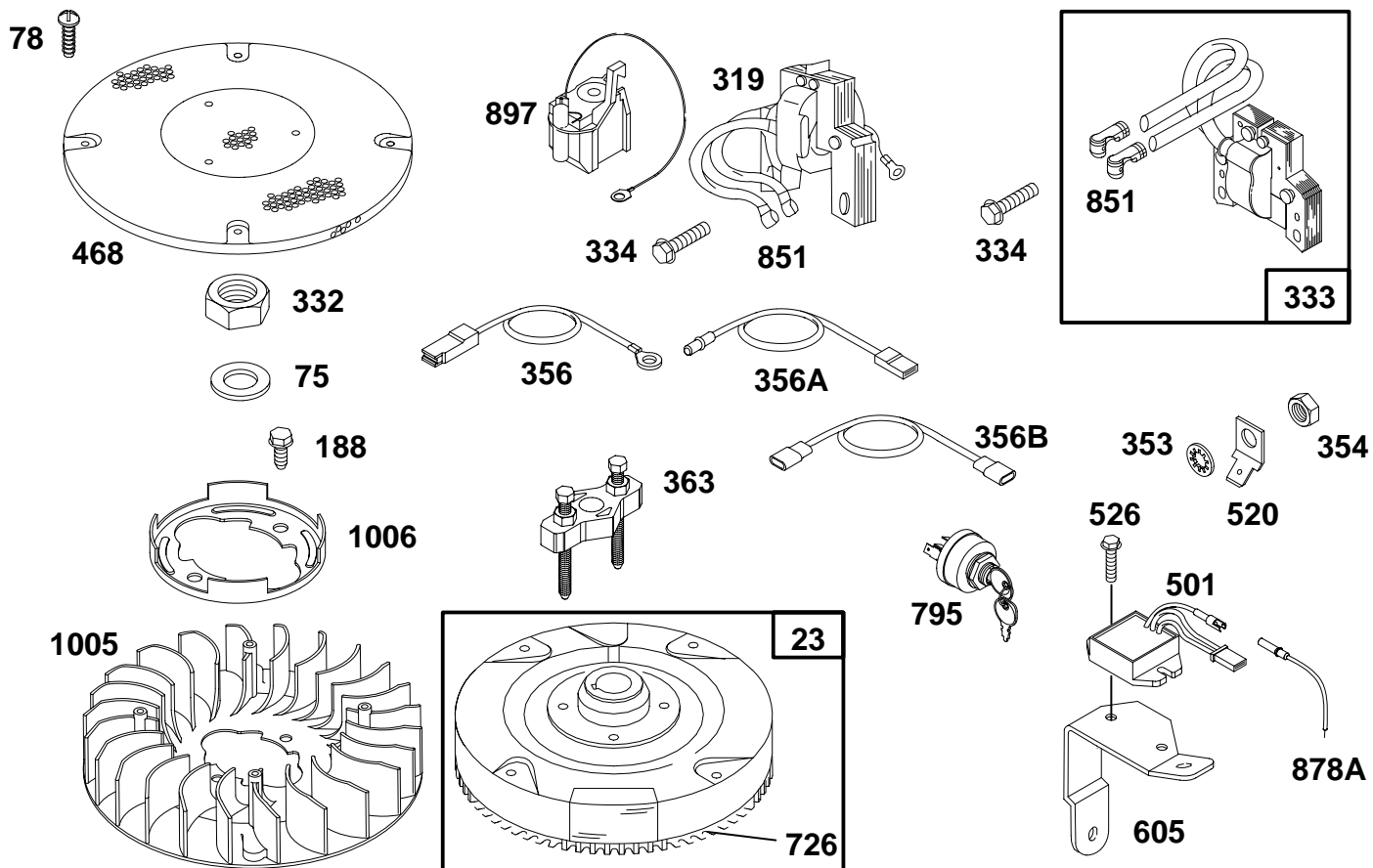
**400700 to 400799**



REF. NO.	PART NO.	DESCRIPTION	REF. NO.	PART NO.	DESCRIPTION	REF. NO.	PART NO.	DESCRIPTION
304	492656	Housing-Blower (Black)	305A	93343	Screw-Hex.	308A	224775	Cover-Air Guide
		<b>Note</b>	306	222846	Shield-Cylinder	423	93876	Screw-Hex.
	495587	Housing-Blower (Red)	306A	223734	Shield-Cylinder	567	93777	Screw-Hex.
305	94786	Screw-Hex. (1/2" Long)	307	94386	Screw-Hex. (Used After Code Date 91080400).	573	491304	Plate-Back
		<b>Note</b>			<b>Note</b>	865	491719	Cover-Air Guide (Cyl. #1)
	93415	Screw-Hex. (3/4" Long)	308	224774	Cover-Air Guide (Used Before Code Date 91080500).	865A	399932	Cover-Air Guide (Cyl. #2)
						866	491285	Cover-Air Guide
						949	491438	Screen-Static

- ★ Included in Gasket Set-Part No. 491856.
- Included in Carburetor Kit-Part No. 491539.
- Included in Pump Repair Kit-Part No. 393397.

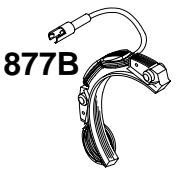
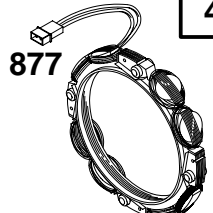
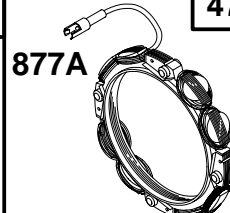
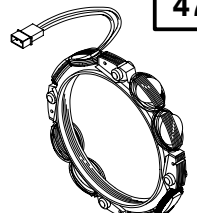
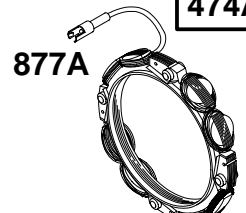

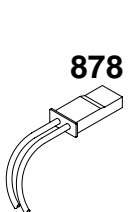
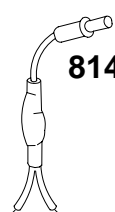
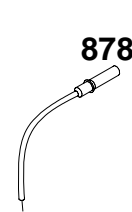
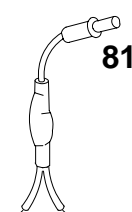
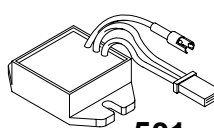
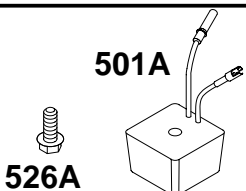
# 400700 to 400799



REF. NO.	PART NO.	DESCRIPTION	REF. NO.	PART NO.	DESCRIPTION	REF. NO.	PART NO.	DESCRIPTION
23	491180	Flywheel	334	93381	Screw-Hex.	726	391362	Gear-Ring (Includes Mounting Parts)
		<b>Note</b>	353	92791	Washer-Lock	795	493625	Switch-Stop
		491179 Flywheel	354	90576	Nut-Hex.			<b>Include(s):</b>
		Used on Type No(s).	356	398874	Wire-Stop	851	221798	Terminal-Cable
		1110, 1111, 1214,	356A	494705	Wire-Stop	878A	393422	Harness-Alternator
		1215, 1220, 4002.	356B	497480	Wire-Stop	897	394970	Magnetron® Ignition Kit
75	222511	Washer-Spring	363	19203	Flywheel Puller	1005	281053	Fan-Flywheel
78	94326	Screw-Hex.	468	224521	Screen-Rotating	1006	224413	Retainer-Fan
188	93535	Screw	501	394890	Regulator			
319	394988	Armature-Magneto	520	93722	Terminal			
332	230674	Nut-Hex.	526	93343	Screw-Hex. (Regulator Mtg.)			
333	394891	Armature-Magneto (Magnetron®)	605	222959	Bracket-Support			

- ★ Included in Gasket Set-Part No. 491856.
- Included in Carburetor Kit-Part No. 491539.
- Included in Pump Repair Kit-Part No. 393397.

**400700 to 400799**

DC ONLY	DUAL CIRCUIT	TRI-CIRCUIT	16 AMP	9 AMP
SEE FLYWHEEL ASSEMBLY	SEE FLYWHEEL ASSEMBLY	SEE FLYWHEEL ASSEMBLY	SEE NOTE UNDER FLYWHEEL ASSEMBLY	SEE NOTE UNDER FLYWHEEL ASSEMBLY
 <b>877B</b>	 <b>877</b>	 <b>877A</b>	 <b>474B</b>	 <b>877A</b>
 <b>878A</b>	 <b>878</b>	 <b>814</b>	 <b>878A</b>	 <b>814</b>
			 <b>501</b>	 <b>501A</b> <b>526A</b>

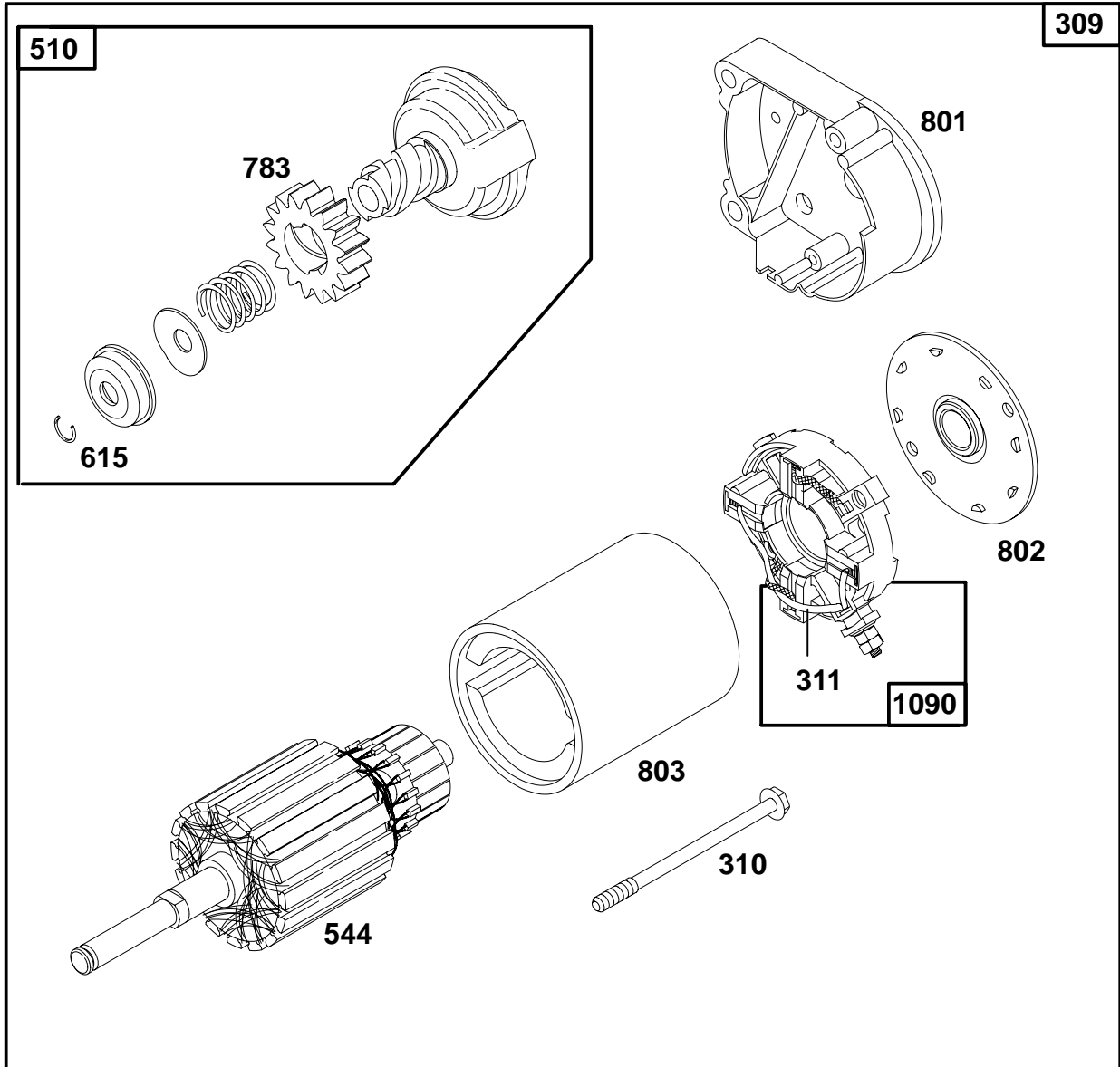
**NOTE: ALL STATORS USE NO. 482 MOUNTING SCREW.**



REF. NO.	PART NO.	DESCRIPTION	REF. NO.	PART NO.	DESCRIPTION	REF. NO.	PART NO.	DESCRIPTION
474	393474	Alternator	501A	491546	Regulator	877B	393814	Wire-Alternator
474A	392595	Alternator	526A	94137	Screw-Hex	878	393362	Harness-Alternator
474B	393295	Alternator	814	392606	Harness-Alternator	878A	393422	Harness-Alternator
482	93621	Screw-Hex.	877	393456	Wire-Alternator	878B	399916	Harness-Alternator
501	394890	Regulator	877A	393537	Wire-Alternator	887	391529	Alternator

- ★ Included in Gasket Set-Part No. 491856.
- Included in Carburetor Kit-Part No. 491539.
- Included in Pump Repair Kit-Part No. 393397.

**400700 to 400799**



REF. NO.	PART NO.	DESCRIPTION	REF. NO.	PART NO.	DESCRIPTION	REF. NO.	PART NO.	DESCRIPTION
309	497596	Motor-Starter	544	497603	Armature-Starter	801	394860	Cap-Drive
310	94003	Screw-Hex.	615	263080	Retainer	802	497607	Cap-End
311	497608	Brush Set	653	93585	Screw-Hex.	803	497604	Housing-Starter
510	497606	Drive-Starter	783	280104	Gear-Starter	1090	497605	Retainer-Brush

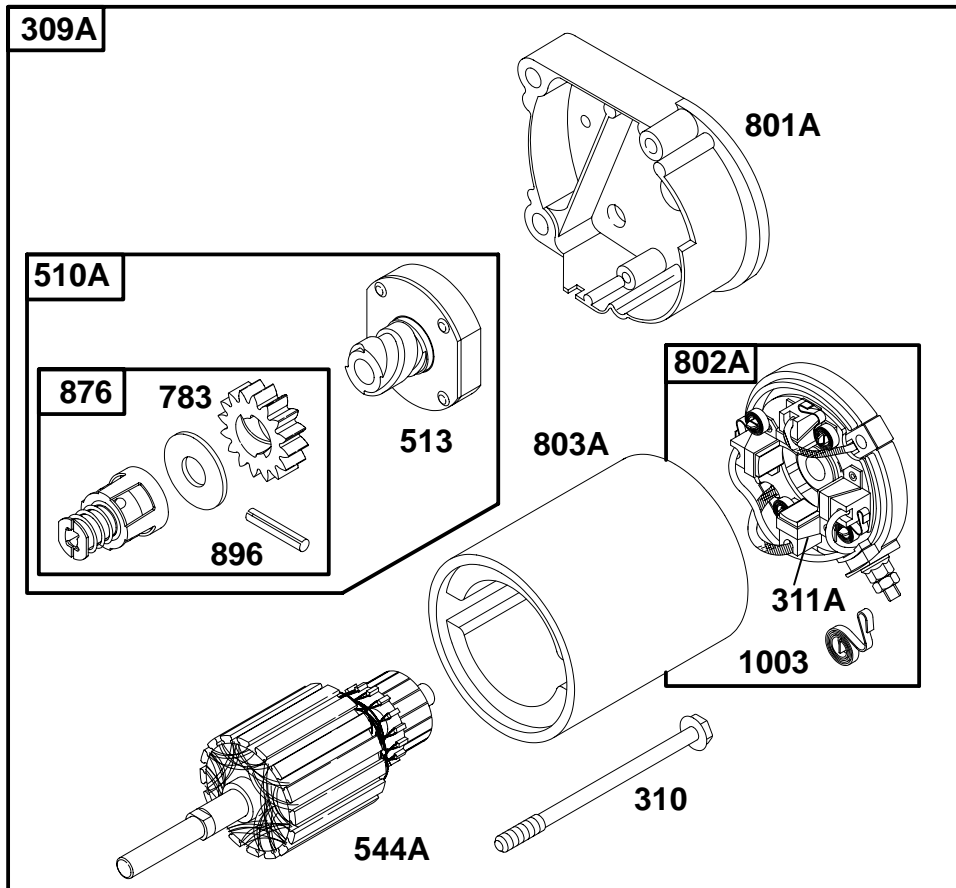
- ★ Included in Gasket Set-Part No. 491856.
- Included in Carburetor Kit-Part No. 491539.
- Included in Pump Repair Kit-Part No. 393397.

9488-12

Assemblies include all parts shown in frames.

65

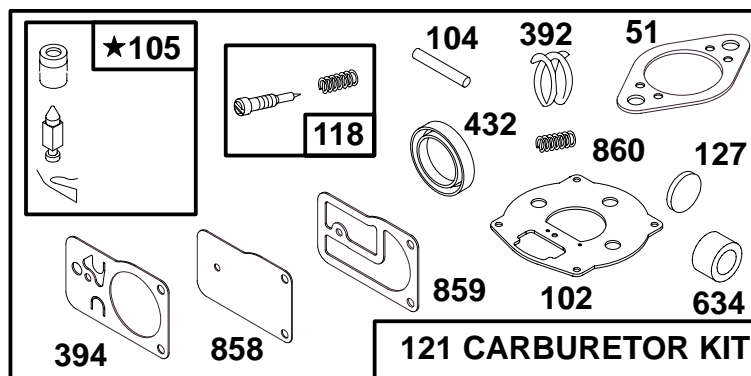
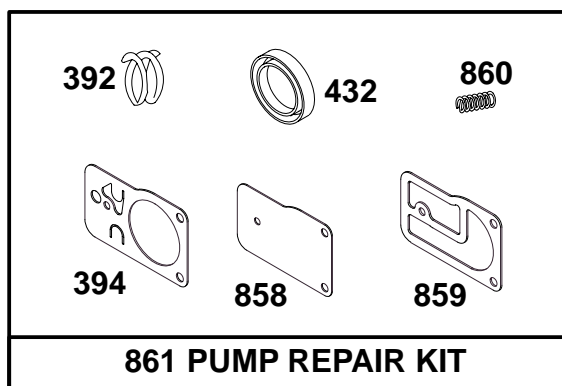
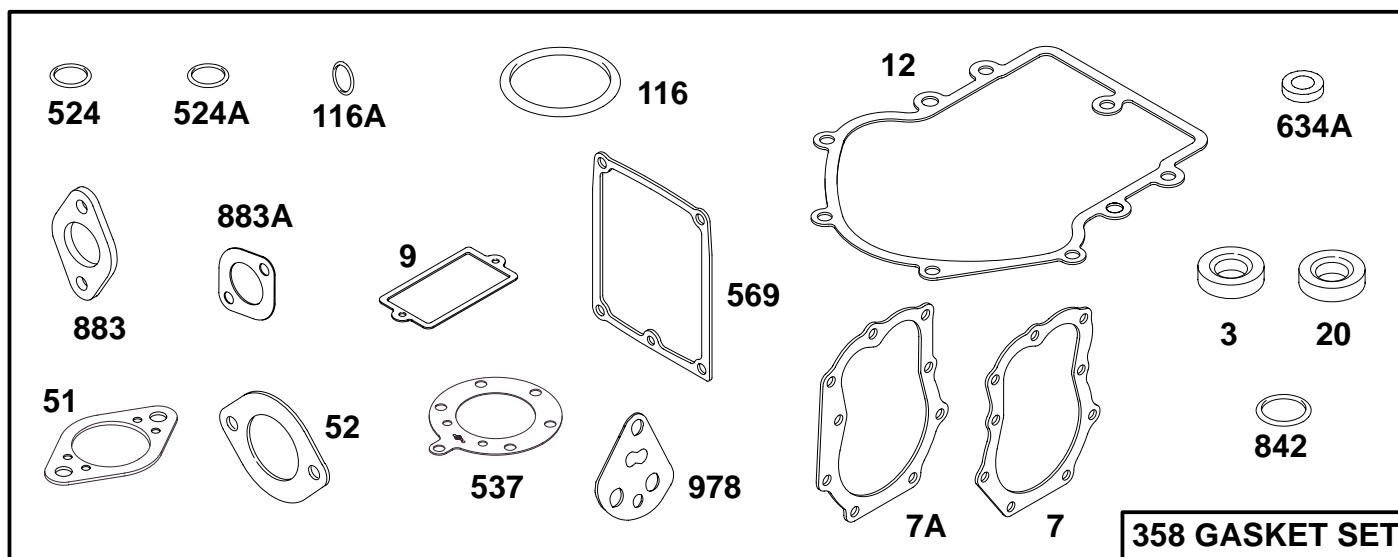
**400700 to 400799**



REF. NO.	PART NO.	DESCRIPTION	REF. NO.	PART NO.	DESCRIPTION	REF. NO.	PART NO.	DESCRIPTION
189	90366	Lockwasher			492020 Brush Set			492022 Cap-End
309A	394808	Motor-Starter (For 3-5/8" and 3-15/32" Length)	510A	490421	Drive-Starter			(For 3-15/32" Length)
		399928 Motor-Starter	513	398003	Clutch-Drive			494988 Cap-End
		(For 4-1/2" Length)	544A	390837	Armature-Starter	803A	398159	(For 4-3/8" Length)
		495100 Motor-Starter			(For 3-5/8" Length)			Housing-Starter
		(For 4-3/8" Length)			490309 Armature- Starter			(For 3-5/8" Length)
310	94003	Screw-Hex.			(For 4-1/2" and 4-3/8" Length)			398892 Hsg.-Starter
		(For 3-5/8" Length)	653	93585	Screw-Hex.			(For 4-1/2" Length)
		94169 Screw-Hex.	783	280104	Gear-Starter	876	490467	Kit-Spring
		(For 4-1/2" Length)	801	394860	Cap-Drive	896	94192	Pin-Roll
		94004 Screw-Hex.	802A	395537	Cap-End			(Black)
		(For 4-3/8" Length)			(For 3-5/8" Length)			94288 Pin-Roll
311A	395538	Brush Set			490310 Cap-End			(Copper)
		(For 3-5/8" Length)			(For 4-1/2" Length)	1003	490316	Spring-Brush
		490311 Brush-Starter						(For 4-1/2" Length)
		(For 4-1/2" Length)						

- ★ Included in Gasket Set-Part No. 491856.
- Included in Carburetor Kit-Part No. 491539.
- Included in Pump Repair Kit-Part No. 393397.

## 400700 to 400799



★ **REQUIRES SPECIAL TOOLS TO INSTALL. SEE REPAIR INSTRUCTION MANUAL.**

REF. NO.	PART NO.	DESCRIPTION	REF. NO.	PART NO.	DESCRIPTION	REF. NO.	PART NO.	DESCRIPTION
					<b>Note</b>			
					●271609 Gasket-Carburetor Body (Used Before Code Date 93070100).			
3	★391086	Seal-Oil	104	●230896	Pin-Float Hinge	537	★271411	Gasket-Air Cleaner
7	★271867	Gasket-Cyl. Head #1	105	●394683	Valve-Needle	569	★272645	Gasket-Base
7A	★271868	Gasket-Cyl. Head #2	116	★280801	Seal-O-Ring	634	★491287	Seal-Governor Shaft
9	★27803	Gasket-Breather	116A	★280474	Seal-O-Ring	634A	●271013	Washer-Foam
12	★271703	Gasket-Crankcase (.015" Thick)	118	●491538	Valve-Idle Adjustment	842	★270920	Seal-Cap (Used After Code Date 92071900).
			121	491539	Carburetor Kit			<b>Note</b>
			127	●223472	Plug-Welch			★271170 Seal-Cap (Used Before Code Date 92072000).
			358	495868	Gasket Set	858	●270989	Diaphragm-Carburetor
20	★291675	Seal-Oil	392	●261395	Spring-Diaphragm	859	●271025	Gasket-Pump
51	★271412	Gasket-Intake	394	●272638	Diaphragm-Carburetor	860	●261358	Spring-Diaphragm
52	★270884	Gasket-Intake	432	●221377	Cap-Spring	861	393397	Kit-Pump Repair
102	●271607	Gasket-Carburetor Body (Used After Code Date 93063000).	524	★271157	Seal-Fill Tube	883	★272250	Gasket-Exhaust
			524A	★271485	Seal-Plug	883A	★272293	Gasket-Exhaust
						978	★272060	Gasket

- ★ Included in Gasket Set-Part No. 491856.
- Included in Carburetor Kit-Part No. 491539.
- Included in Pump Repair Kit-Part No. 393397.

**400700 to 400799**

REF. NO.	PART NO.	DESCRIPTION	REF. NO.	PART NO.	DESCRIPTION	REF. NO.	PART NO.	DESCRIPTION
1	497074	Cylinder Assembly (Used After Code Date 91080400). <b>Note</b> _____ 491730 Cylinder Assy. (Used Before Code Date 91080500). 492438 Cylinder Assy. (Used Before Code Date 91080500). Used on Type No(s). 1201, 1203, 1219.			231337 Jet–Main (High Altitude) (Used Before Code Date 93070100).	523	494947	Cap–Oil Fill (Used After Code Date 92071900). <b>Note</b> _____
			202	262684	Link (Used After Code Date 89120300). <b>Note</b> _____			394020 Cap–Oil Fill (Used Before Code Date 92072000).
91	495035	Body Assembly–Upper (Used After Code Date 93063000). <b>Note</b> _____ 495054 Body Assy.–Upper (Used Before Code Date 93070100 and After Code Date 92021600). 399327 Body Assy.–Upper (Used Before Code Date 92021700).	203	280997	Crank–Bell (Used After Code Date 89120300). <b>Note</b> _____	525	495348	Tube–Oil Fill (Used After Code Date 92071900). <b>Note</b> _____
					493230 Crank–Bell (Used Before Code Date 89120400).			280224 Tube–Oil Fill (Used Before Code Date 92072000).
117	231338	Jet–Main (Used After Code Date 93063000). <b>Note</b> _____ 231339 Jet–Main (Used Before Code Date 93070100).  231333 Jet–Main (High Altitude) (Used After Code Date 93063000).	209	262351	Spring–Governor <b>Note</b> _____ 262352 Spring–Governor Used on Type No(s). 1209, 1210, 1214, 1215, 1221, 1222, 1224, 1235, 1237, 1238, 1239, 1505, 1506, 1510, 1520. 262354 Spring–Governor Used on Type No(s). 1218. 262441 Spring–Governor Used on Type No(s). 1213, 1216, 1234, 1508, 1511.	572	224816	Guide–Air (Cylinder #2) (Used After Code Date 94041000). <b>Note</b> _____ 224580 Guide–Air (Cylinder #2) (Used Before Code Date 94041100 and After Code Date 91080400). 224362 Guide–Air (Cylinder #2) (Used Before Code Date 91080500).
						842	*270920	Seal–Cap (Used After Code Date 92071900). <b>Note</b> _____ *271170 Seal–Cap (Used Before Code Date 92072000).