



381400

Illustrated Parts List

Model Series

381400

TYPE NUMBERS
0023 through 0306.

TABLE OF CONTENTS

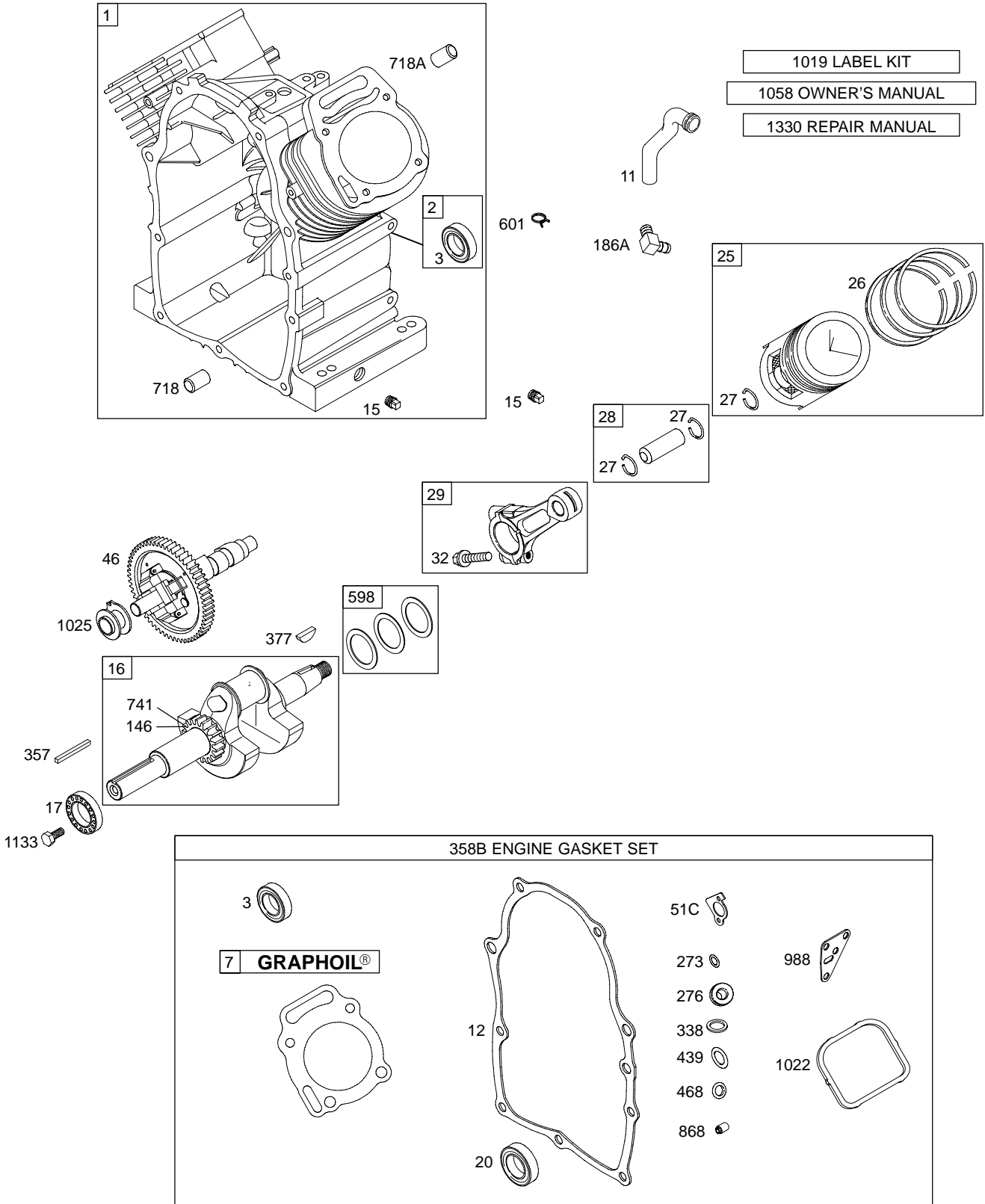
Air Cleaners	7
Alternator	14
Blower Housing	11
Camshaft	2
Carburetor	6
Controls	9
Crankcase Cover	4
Crankshaft	2
Cylinder	2
Cylinder Head	3
Electric Starter	15
Exhaust System	8
Flywheel	12
Fuel Supply	6
Gasket Set - Engine	2
Gasket Set - Valve	3
Governor Spring	9
Ignition	14
Intake Manifold	4
Kit - Carburetor Overhaul	6
Lubrication	5
Piston, Rings, Connecting Rod	2
Rewind Starter	13
Shrouds	10
Valves	3

PRINTED IN U.S.A.

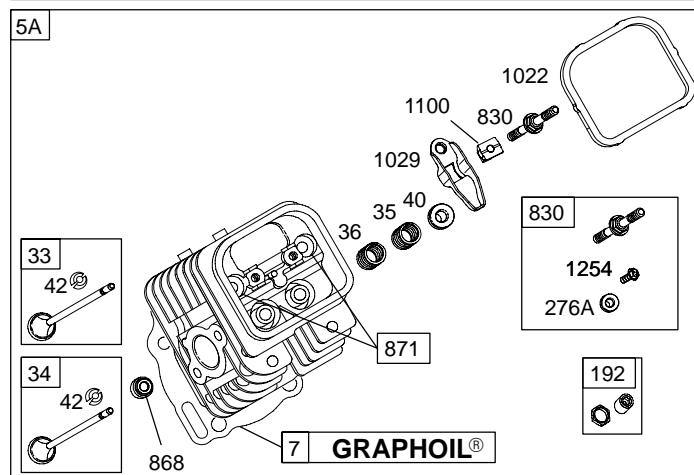
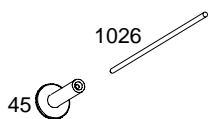
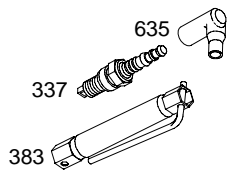
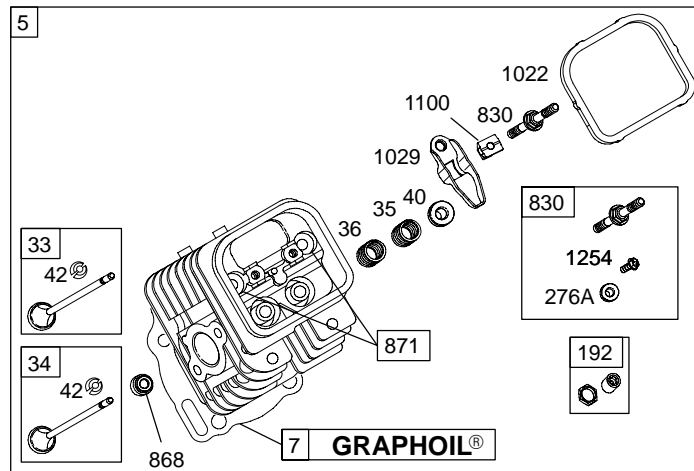
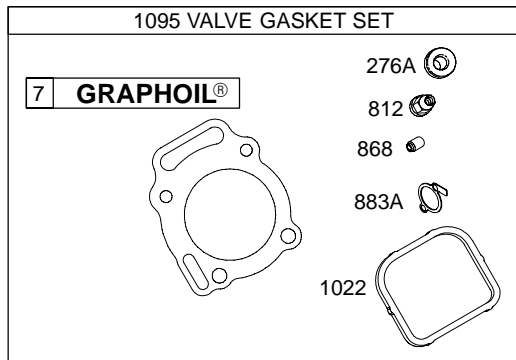
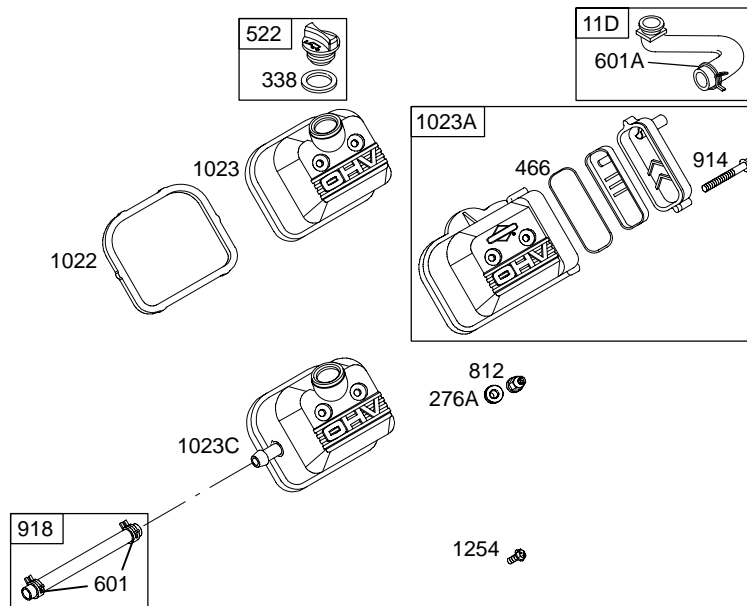


COPYRIGHT by BRIGGS & STRATTON CORPORATION
All rights reserved. No part of this material may be reproduced or transmitted, in any form or by any means, electronic or mechanical, including photocopying, recording or by any information storage and retrieval system, without permission in writing from Briggs & Stratton Corporation.

381400

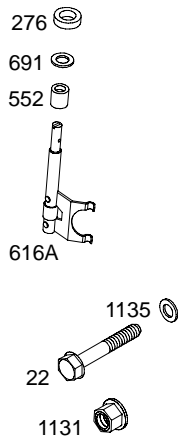
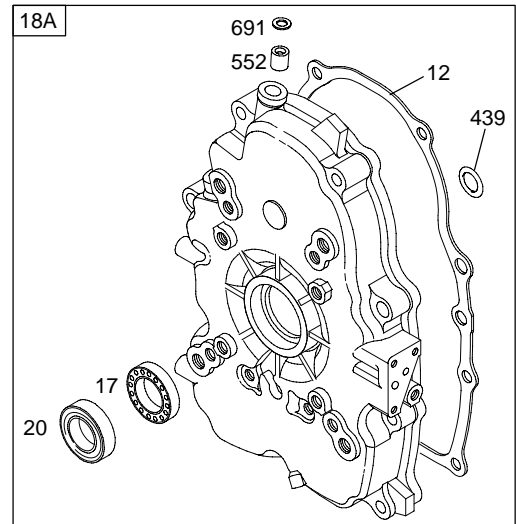
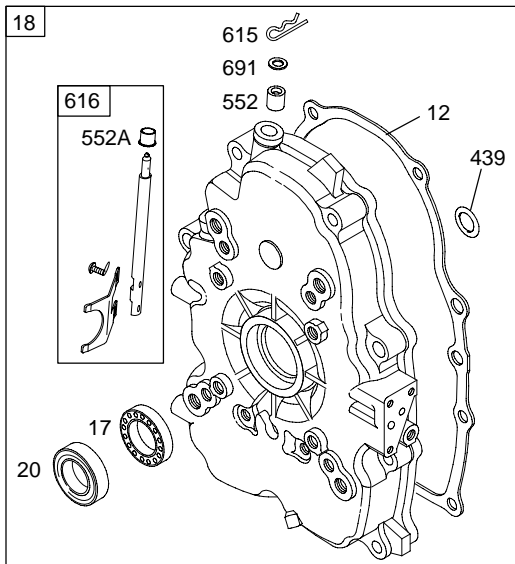
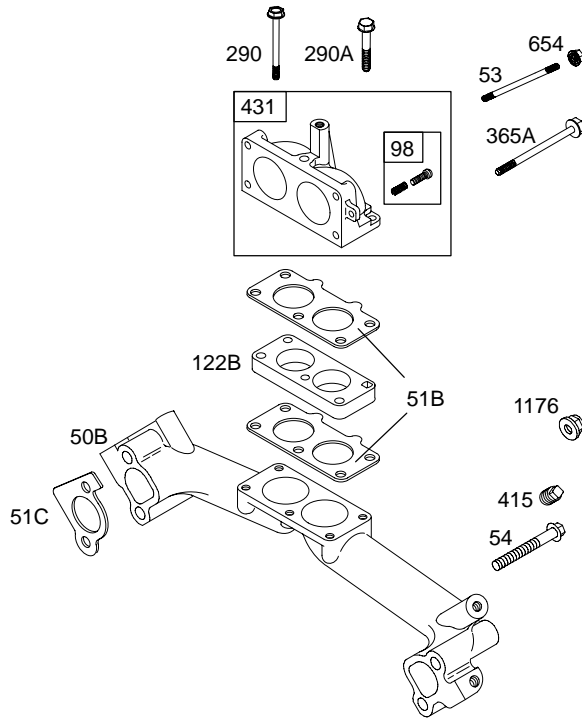


Illustrations cover a range of engines. Parts shown without corresponding text may not be used on your specific engine.
6077-2 Assemblies include all parts shown in frames. 08/09/2005

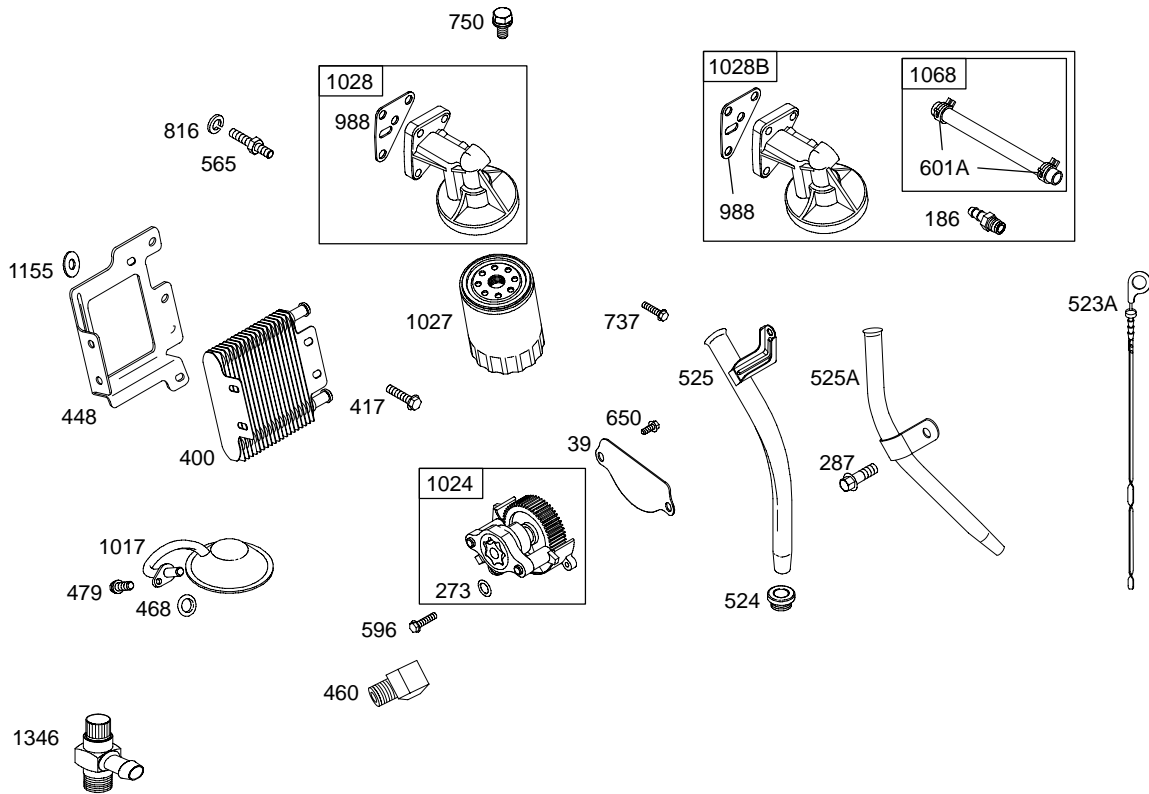


Illustrations cover a range of engines. Parts shown without corresponding text may not be used on your specific engine.
6077-3 Assemblies include all parts shown in frames. 08/09/2005

381400

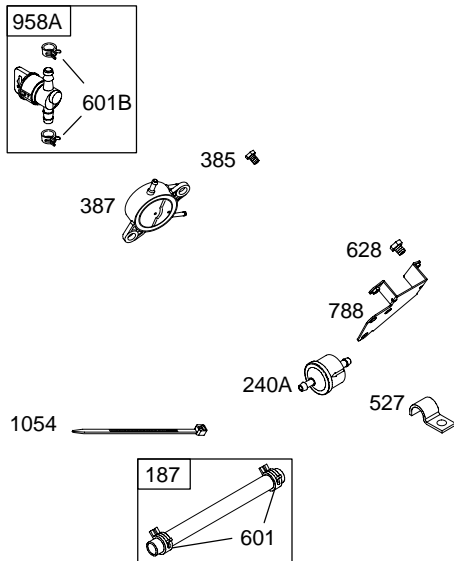
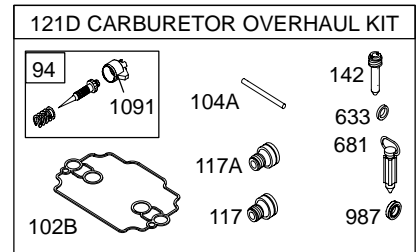
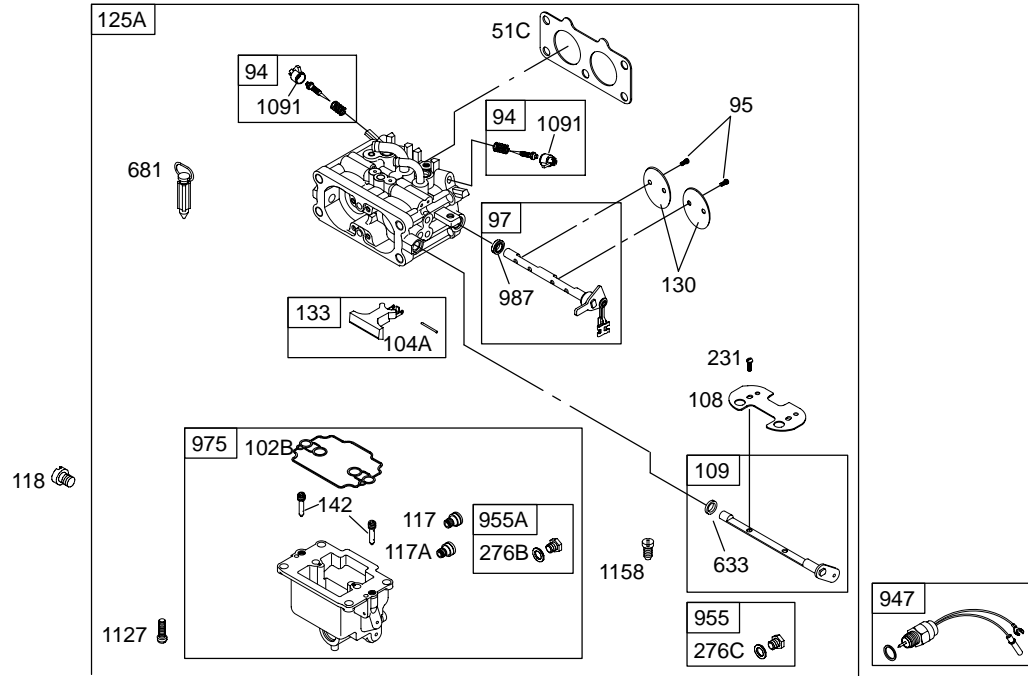


Illustrations cover a range of engines. Parts shown without corresponding text may not be used on your specific engine.
 6077-4 Assemblies include all parts shown in frames. 08/09/2005

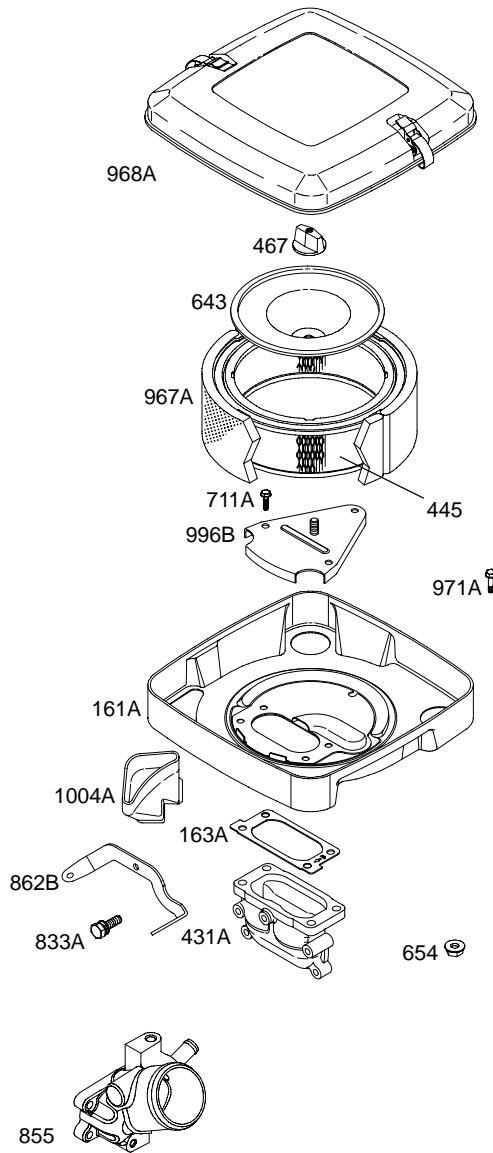


Illustrations cover a range of engines. Parts shown without corresponding text may not be used on your specific engine.
6077-5 Assemblies include all parts shown in frames. 08/09/2005

381400

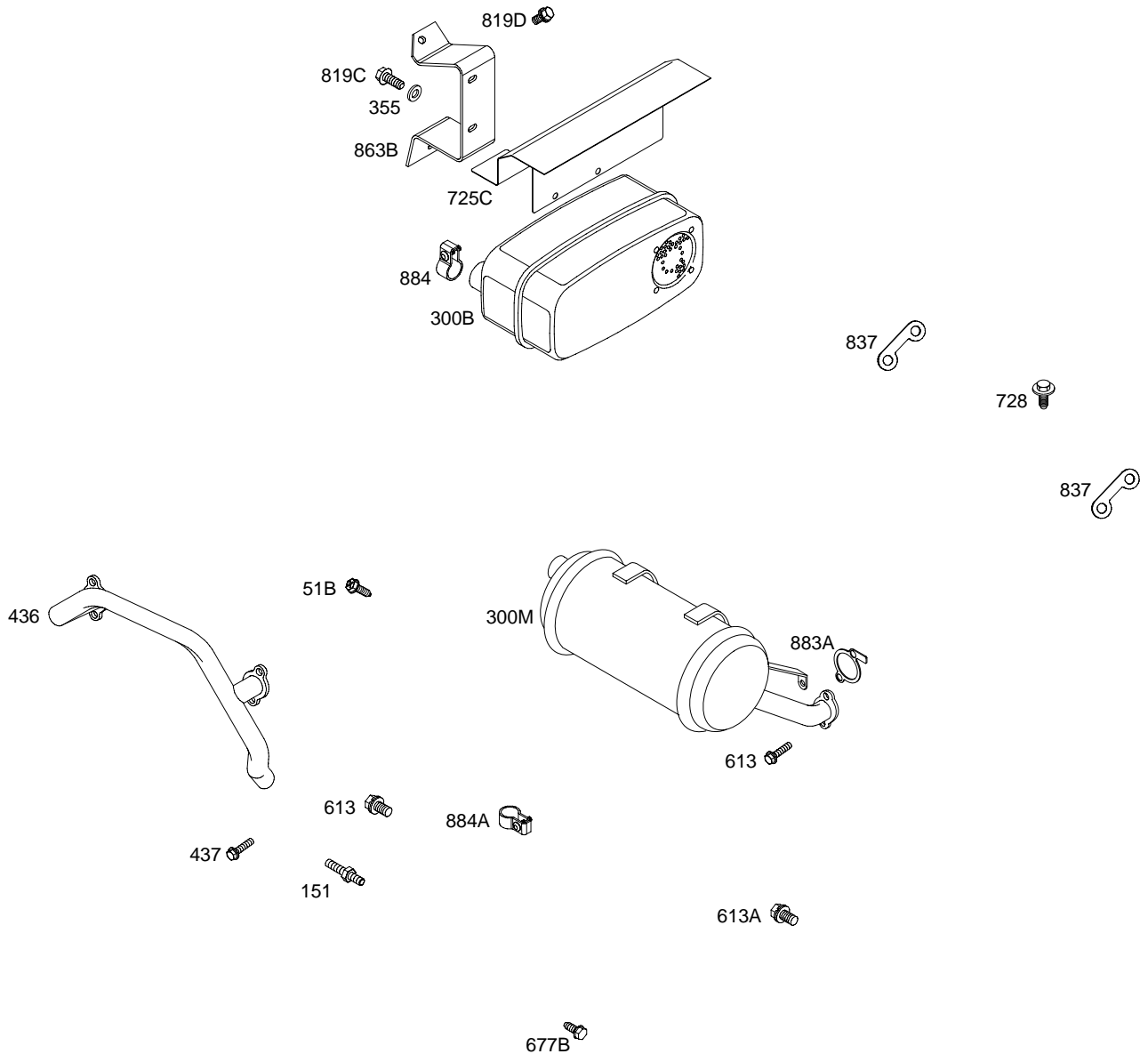


Illustrations cover a range of engines. Parts shown without corresponding text may not be used on your specific engine.
 6077-6 Assemblies include all parts shown in frames. 08/09/2005

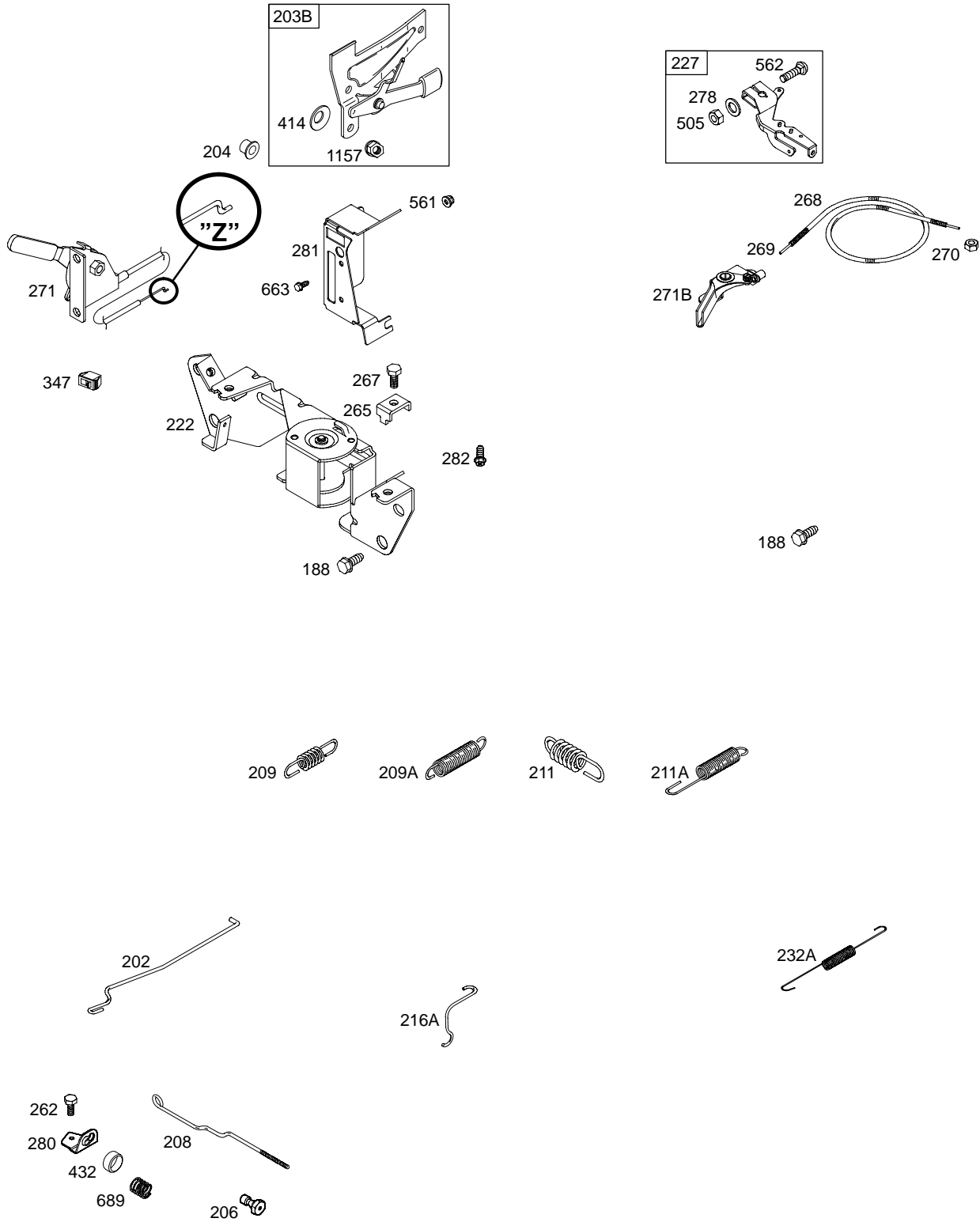


Illustrations cover a range of engines. Parts shown without corresponding text may not be used on your specific engine.
6077-7 Assemblies include all parts shown in frames. 08/09/2005

381400

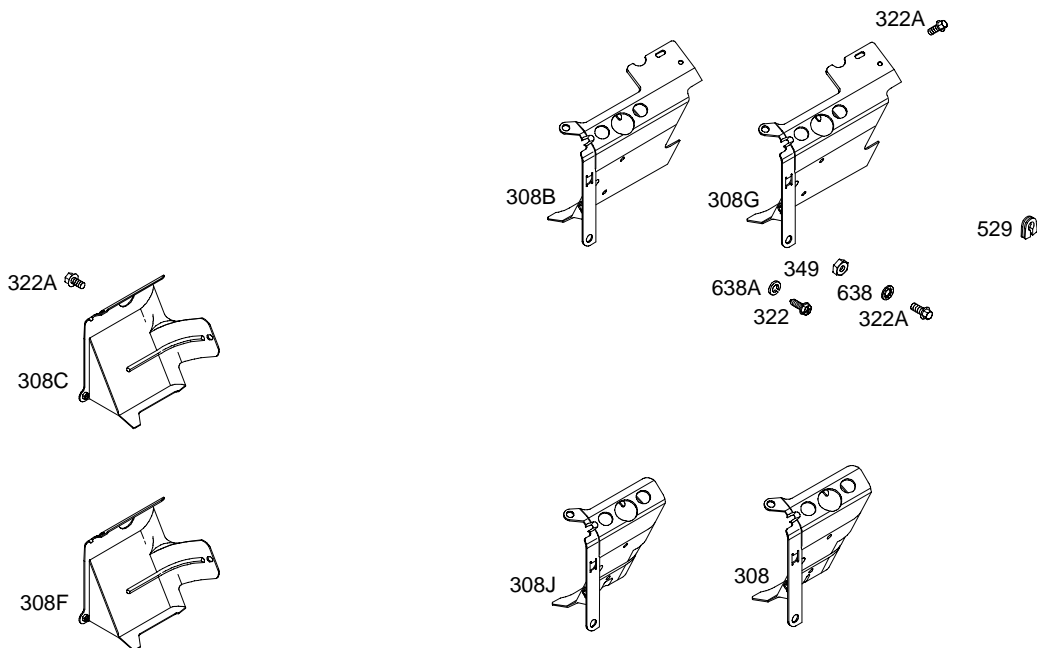
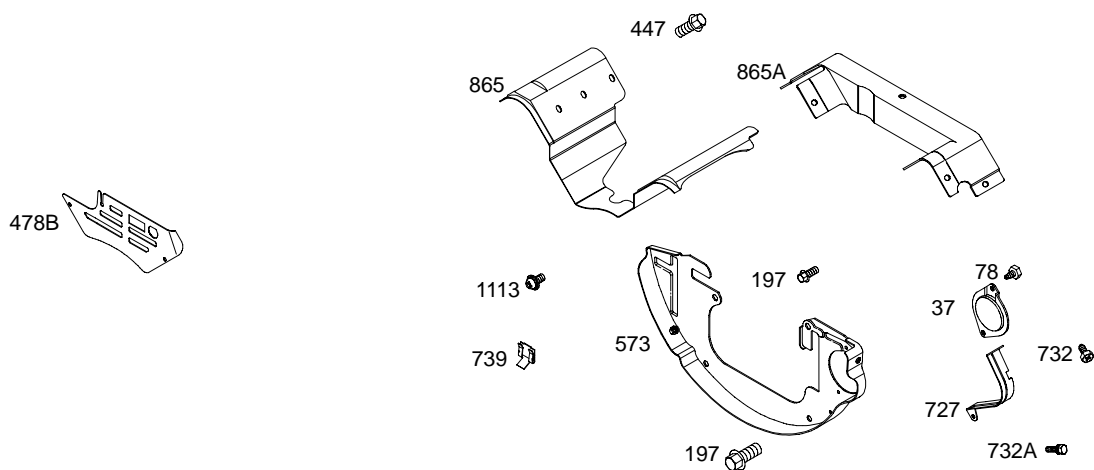


Illustrations cover a range of engines. Parts shown without corresponding text may not be used on your specific engine.
6077-8 Assemblies include all parts shown in frames. 08/09/2005

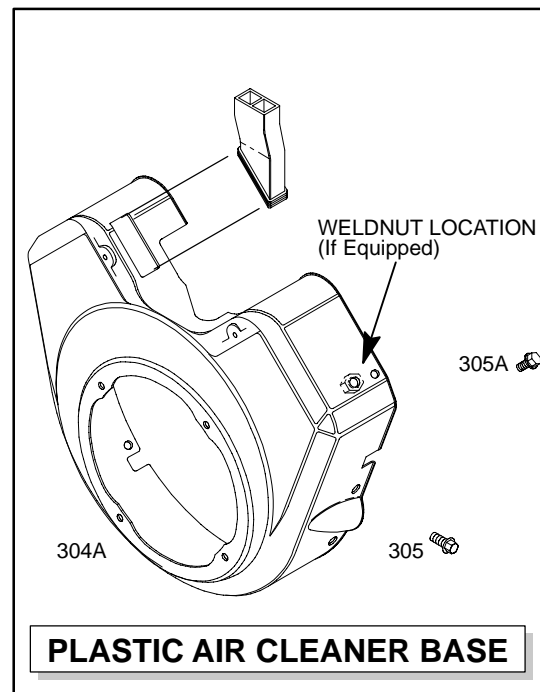
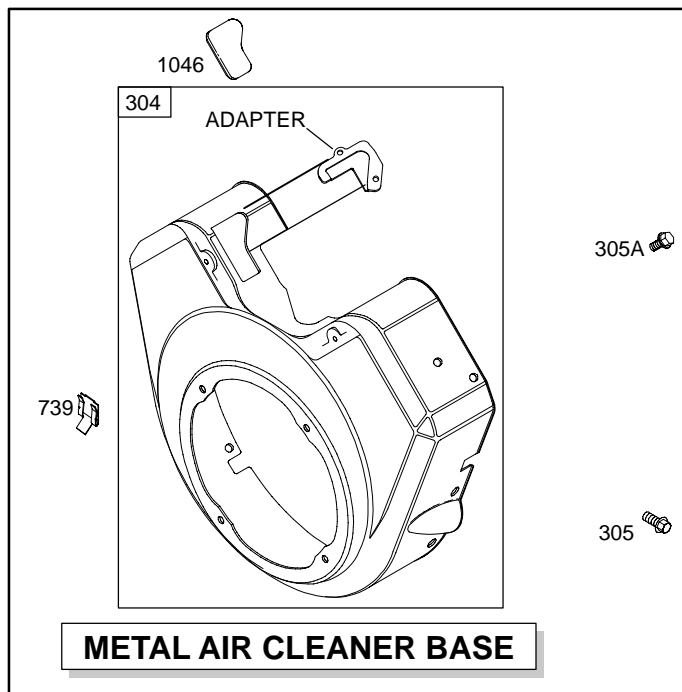


Illustrations cover a range of engines. Parts shown without corresponding text may not be used on your specific engine.
 6077-9 Assemblies include all parts shown in frames. 08/09/2005

381400

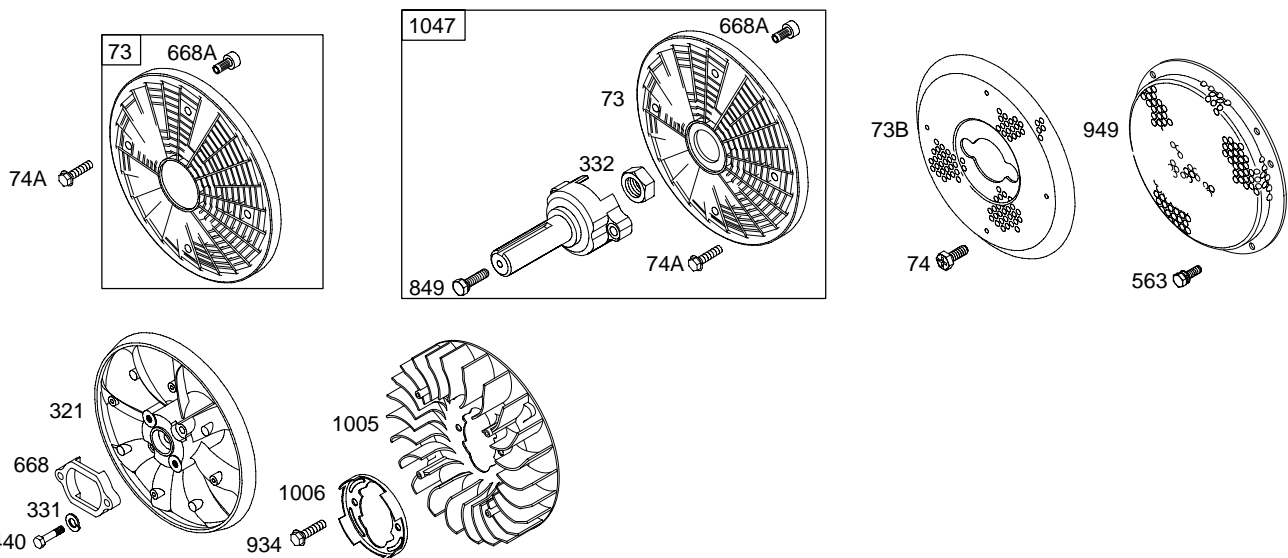
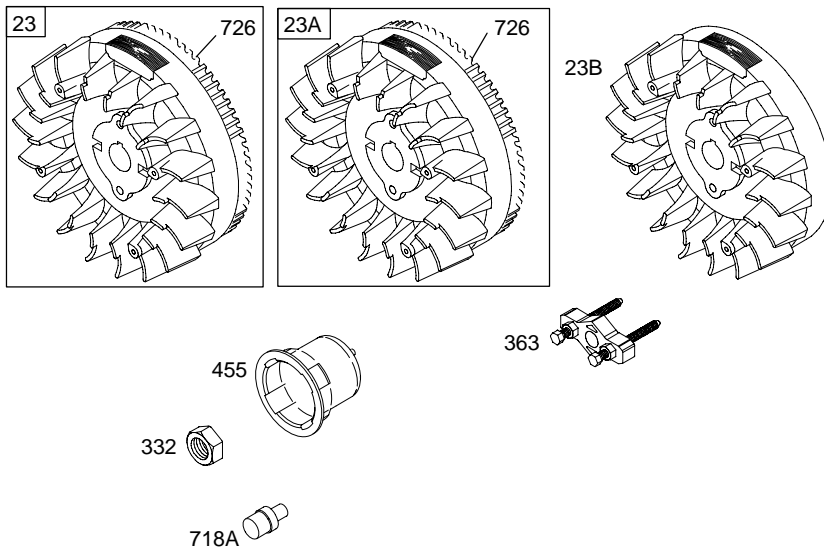


Illustrations cover a range of engines. Parts shown without corresponding text may not be used on your specific engine.
6077-10 Assemblies include all parts shown in frames. 08/09/2005

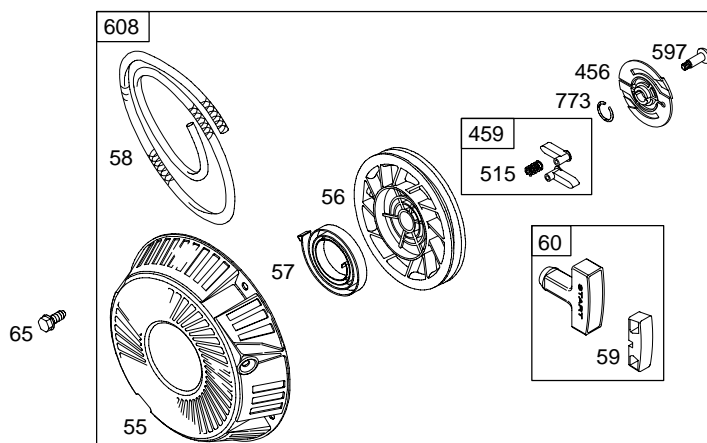


1036 EMISSION LABEL

381400



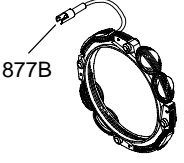
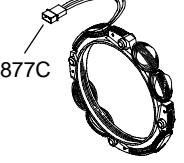
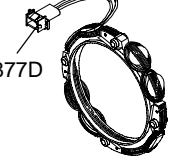
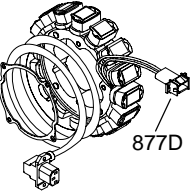

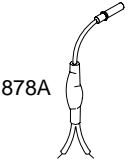
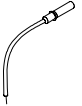
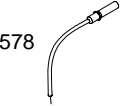

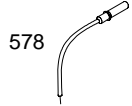

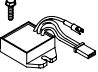



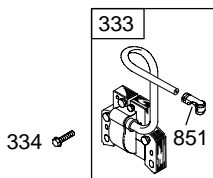
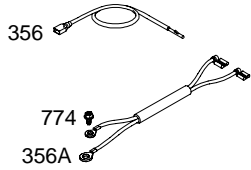
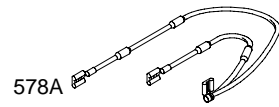
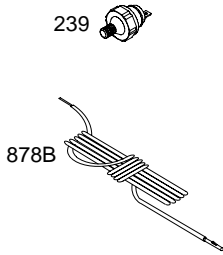
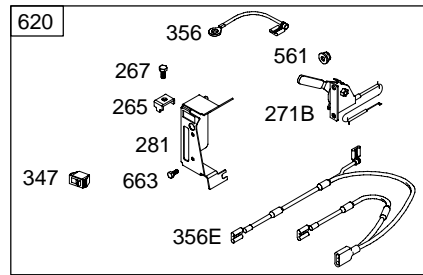
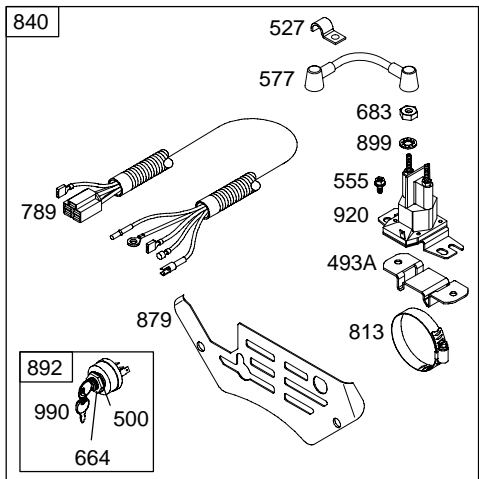
Illustrations cover a range of engines. Parts shown without corresponding text may not be used on your specific engine.
6077-12 Assemblies include all parts shown in frames. 08/09/2005



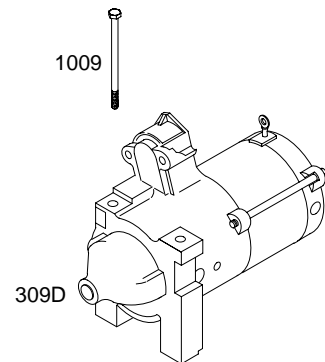
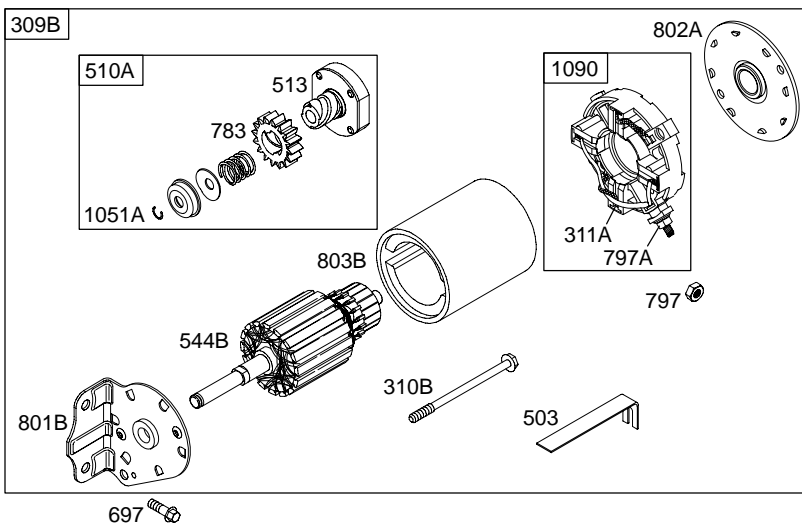
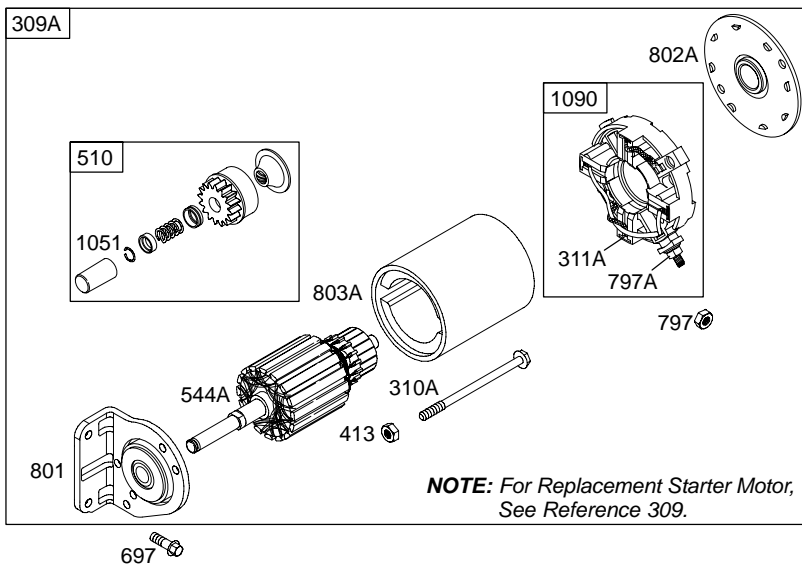
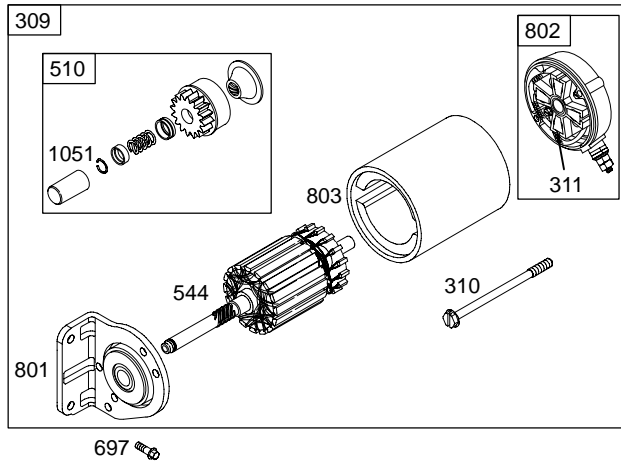
Illustrations cover a range of engines. Parts shown without corresponding text may not be used on your specific engine.
6077-13 Assemblies include all parts shown in frames. 08/09/2005

381400

DUAL CIRCUIT	TRI CIRCUIT	5 - 9 AMP	10 - 16 AMP	20 AMP	20 AMP POWER LINK
474B 	474C 	474C 	474D 	474E 	474F 
878 	878A 	578 	578 	578 	578 
<p>NOTE: All stators use a No. 1119 mounting screw. </p> <p>NOTE: The proper flywheel part number and/or the alternator magnet size will determine the alternator type or output. See repair instruction manual for additional information.</p>				526 501 	526B 501B 



Illustrations cover a range of engines. Parts shown without corresponding text may not be used on your specific engine.
 6077-14 Assemblies include all parts shown in frames. 08/09/2005



Illustrations cover a range of engines. Parts shown without corresponding text may not be used on your specific engine.
 6077-15 Assemblies include all parts shown in frames. 08/09/2005

381400

REF. NO.	PART NO.	DESCRIPTION	REF. NO.	PART NO.	DESCRIPTION	REF. NO.	PART NO.	DESCRIPTION
1	842602	Cylinder Assembly (Used After Code Date 05073000). ----- Note ----- 808650 Cylinder Assembly (Used Before Code Date 05080100). 842603 Cylinder Assembly (Used After Code Date 05073000). Used on Type No(s). 0183, 0272, 0276. 841184 Cylinder Assembly (Used Before Code Date 05080100). Used on Type No(s). 0183, 0272, 0276. 842619 Cylinder Assembly (Used After Code Date 05073000). Used on Type No(s). 0152, 0273. 809136 Cylinder Assembly (Used Before Code Date 05080100). Used on Type No(s). 0152, 0273.	5A	842657	Head-Cylinder (Cylinder #2) (Used After Code Date 05073000). ----- Note ----- 808530 Head-Cylinder (Cylinder #2) (Used Before Code Date 05080100).			809813 Crankshaft (Used After Code Date 03043000). Used on Type No(s). 0111, 0137, 0140, 0148, 0154, 0193, 0196, 0266, 0268, 0275, 0277.
			7	★ 842622	Gasket-Cylinder Head			809814 Crankshaft (Used Before Code Date 03050100). Used on Type No(s). 0111, 0137, 0140, 0148, 0154, 0193, 0196, 0266, 0268, 0275, 0277.
			11	841159	Tube-Breather Used on Type No(s). 0145, 0150.			809817 Crankshaft (Used After Code Date 03043000). Used on Type No(s). 0143.
			11D	806379	Tube-Breather			809818 Crankshaft (Used Before Code Date 03050100). Used on Type No(s). 0143.
			12	★ 842589	Gasket-Crankcase			809838 Crankshaft Used on Type No(s). 0155, 0259.
			13	842618	Screw (Cylinder Head) (Used After Code Date 05073000). ----- Note ----- 692059 Screw (Cylinder Head) (Used Before Code Date 05080100).			809826 Crankshaft Used on Type No(s). 0146, 0271, 0273, 0274, 0276, 0280.
			15	690946	Plug-Oil Drain			693073 Crankshaft (Used Before Code Date 03050100). Used on Type No(s). 0271.
			16	809844	Crankshaft (Used After Code Date 03043000). ----- Note ----- 809845 Crankshaft (Used Before Code Date 03050100). 809834 Crankshaft (Used After Code Date 03043000). Used on Type No(s). 0048, 0134, 0136, 0145, 0150, 0255, 0257, 0261.			17 690752 Bearing-Ball
2	808534	Kit-Bushing/Seal (Magneto Side)						18 808849 Cover-Crankcase (Used After Code Date 99072100).
3	★ 805101	Seal-Oil (Magneto Side)						18A 808685 Cover-Crankcase (Used Before Code Date 99072200).
5	842656	Head-Cylinder (Cylinder #1) (Used After Code Date 05073000). ----- Note ----- 808529 Head-Cylinder (Cylinder #1) (Used Before Code Date 05080100).						

★ Included in Engine Gasket Set-Ref. No. 358B.

● Included in Carburetor Overhaul Kit-Ref. No.121D.

△ Included in Valve Gasket Set-Ref. No. 1095.

Illustrations cover a range of engines. Parts shown without corresponding text may not be used on your specific engine.

381400

REF. NO.	PART NO.	DESCRIPTION	REF. NO.	PART NO.	DESCRIPTION	REF. NO.	PART NO.	DESCRIPTION
20	★805049	Seal–Oil (PTO Side)	37	690715	Guard–Flywheel (Black)	73B	690478	Screen–Rotating Used on Type No(s). 0119, 0144, 0149, 0151.
22	807362	Screw (Crankcase Cover/Sump)			----- Note ----- 841309 Guard– Flywheel	74	691655	Screw (Rotating Screen) Used on Type No(s). 0119, 0144, 0149, 0151.
23	808768	Flywheel (Steel Ring Gear) ----- Note ----- 808772 Flywheel (Steel Ring Gear) Used on Type No(s). 0135, 0158, 0253. 808776 Flywheel (Steel Ring Gear) Used on Type No(s). 0148, 0154, 0259.	39	690745	Deflector–Oil	74A	691647	Screw (Rotating Screen)
23A	841169	Flywheel (Aluminum Ring Gear) Used on Type No(s). 0183, 0272, 0276.	40	692058	Retainer–Valve	78	690688	Screw (Flywheel Guard)
23B	690922	Flywheel (Rewind Starter)	42	807683	Keeper–Valve	94	●808257	Kit–Idle Mixture
25	808527	Piston Assembly (Standard) ----- Note ----- 808652 Piston Assembly (.020" Oversize)	45	690977	Tappet–Valve	95	690718	Screw (Throttle Valve)
26	808528	Ring Set (Standard) ----- Note ----- 808661 Ring Set (.020" Oversize)	46	690927	Camshaft	97	808713	Shaft–Throttle
27	806378	Lock–Piston Pin	50B	806376	Manifold–Intake	98	841842	Kit–Idle Speed
28	808526	Pin–Piston	51B	690950	Gasket–Intake (Manifold To Carburetor)	102B	●693711	Gasket–Carburetor Body
29	808646	Rod–Connecting	51C	Δ★806418	Gasket–Intake (Manifold to Head)	104A	●690882	Pin–Float Hinge
32	690698	Screw (Connecting Rod)	53	690746	Stud (Carburetor)	108	690883	Valve–Choke
33	806419	Valve–Exhaust	54	806444	Screw (Intake Manifold) ----- Note ----- 691537 Screw (Intake Manifold) (70mm Long) 691492 Screw (Intake Manifold) (30mm Long)	109	808277	Shaft–Choke
34	806420	Valve–Intake	55	691568	Housing–Rewind Starter	117A	●806439	Jet–Main (Standard) (Right Or Cylinder 2)
35	692084	Spring–Valve (Intake)	56	692085	Pulley–Starter	118	841670	Jet–Main (High Altitude) (Left or Cylinder 1) ----- Note ----- 693500 Jet–Main (High Altitude) (Right Or Cylinder 2) 809685 Jet–Main (High Altitude) (Used After Code Date 03061900). Used on Type No(s). 0145, 0150.
36	692084	Spring–Valve (Exhaust)	57	692086	Spring–Rewind Starter			
			58	66574	Rope–Starter (Cut To Required Length)			
			59	805957	Insert–Grip			
			60	808167	Grip–Starter Rope			
			65	691982	Screw (Rewind Starter)			
			73	494439	Screen–Rotating			

★ Included in Engine Gasket Set–Ref. No. 358B.

● Included in Carburetor Overhaul Kit–Ref. No.121D.

Δ Included in Valve Gasket Set–Ref. No. 1095.

Illustrations cover a range of engines. Parts shown without corresponding text may not be used on your specific engine.
6077–17 Assemblies include all parts shown in frames. 08/09/2005

381400

REF. NO.	PART NO.	DESCRIPTION	REF. NO.	PART NO.	DESCRIPTION	REF. NO.	PART NO.	DESCRIPTION
121D	808816	Kit-Carburetor Overhaul	202	691536	Link-Mechanical Governor	216A	691542	Link-Choke
122B	690870	Spacer-Carburetor	203B	808753	Crank-Bell	222	808454	Bracket-Control
125A	808712	Carburetor	204	692884	Bushing-Lever	227	690236	Lever-Governor Control
		----- Note -----	206	691244	Nut-Governor Adjusting	231	692056	Screw (Choke Valve)
		809877 Carburetor (Used After Code Date 03061900). Used on Type No(s) 0145, 0150.	208	691549	Rod-Governor Control			----- Note -----
130	690884	Valve-Throttle	209	692070	Spring-Governor			690718 Screw (Choke Valve) (Used After Code Date 03061900). Used on Type No(s) 0145, 0150.
133	808180	Float-Carburetor			691507 Spring-Governor			
142	806375	Nozzle-Carburetor (Standard)			Used on Type No(s) 0233, 0279.			
		----- Note -----			691508 Spring-Governor	232A	691538	Spring-Governor Link
		841164 Nozzle-Carburetor (Standard) (Used After Code Date 03061900). Used on Type No(s) 0145, 0150.			Used on Type No(s) 0259.	239	690233	Switch-Oil Pressure
146	691639	Key-Timing			692071 Spring-Governor	240A	691035	Filter-Fuel
151	841185	Stud (Exhaust Manifold) Used on Type No(s) 0274, 0276, 0280.			Used on Type No(s) 0064.	262	692083	Screw (Rod Bracket)
161A	808655	Base-Air Cleaner (Metal)			691546 Spring-Governor	265	691024	Clamp-Casing
163A	692087	Gasket-Air Cleaner			Used on Type No(s) 0140, 0143, 0268, 0275.	267	692083	Screw (Casing Clamp)
186	693184	Connector-Hose			692072 Spring-Governor	268	691025	Casing-Control Wire (Cut To Required Length)
186A	691609	Connector-Hose Used on Type No(s) 0155.	209A	690709	Spring-Governor	269	691026	Wire-Control (Cut To Required Length)
187	791766	Line-Fuel (Cut To Required Length) (Used After Code Date 05063000).			Used on Type No(s) 0111, 0137, 0148, 0154, 0193, 0196, 0266, 0277.	270	691027	Nut (Control Wire Casing)
		----- Note -----	211	692069	Spring-Governed Idle	271	692541	Lever-Control
		691050 Line-Fuel (Cut To Required Length) (Used Before Code Date 05070100).			----- Note -----	271B	691028	Lever-Control
188	692062	Screw (Control Bracket)			691504 Spring-Governed Idle	273	690681	Seal-O Ring (Oil Pump)
192	807623	Adjuster-Rocker Arm			Used on Type No(s) 0064, 0111, 0137, 0148, 0154, 0193, 0196, 0266, 0277.	276	690704	Washer-Sealing (Governor Crank)
197	807163	Screw (Back Plate)	211A	690707	Spring-Governed Idle	276A	807085	Washer-Sealing (Rocker Cover) (Used After Code Date 01120200).
					Used on Type No(s) 0140, 0143, 0268, 0275.			----- Note -----
								691766 Washer-Sealing (Rocker Cover) (Used Before Code Date 01120300).
						276B	690724	Washer-Sealing (Solenoid)

★ Included in Engine Gasket Set-Ref. No. 358B.

● Included in Carburetor Overhaul Kit-Ref. No.121D.

△ Included in Valve Gasket Set-Ref. No. 1095.

Illustrations cover a range of engines. Parts shown without corresponding text may not be used on your specific engine.

381400

REF. NO.	PART NO.	DESCRIPTION	REF. NO.	PART NO.	DESCRIPTION	REF. NO.	PART NO.	DESCRIPTION
276C	693497	Washer–Sealing (Jet)	308	841232	Cover–Cylinder Head (Cylinder 2)(Black)	308J	841182	Cover–Cylinder Head (Cylinder 2)(Black)
278	842122	Washer (Governor Control Lever)			----- Note -----			Used on Type No(s). 0151, 0155, 0156, 0158, 0183, 0272, 0276, 0280.
280	691526	Bracket–Rod			841232 Cover–Cylinder Head (Cylinder 1)(Black)			(Used After Code Date 03111800). Used on Type No(s). 0154, 0306.
281	690742	Panel–Control			(Used After Code Date 03111800). Used on Type No(s). 0154, 0306.	309	691564	Motor–Starter (Steel Ring Gear Only)
282	692083	Screw (Control Lever)			841316 Cover–Cylinder Head (Cylinder 2)(Black)	309A		Motor–Starter (Services Steel Ring Gear Only)(For Replacement Starter Motor, See Reference 309)
287	692062	Screw (Dipstick Tube)			(Used After Code Date 03103100 and Before Code Date 03111900). Used on Type No(s). 0279, 0306.	309B	499521	Motor–Starter (Aluminum Ring Gear Only)
290	691537	Screw (Intake Elbow) (70mm Long)	308B	841317	Cover–Cylinder Head (Cylinder 1)(Black)	309D	808817	Motor–Starter Used on Type No(s). 0152, 0273.
290A	691492	Screw (Intake Elbow) (30mm Long)			Used on Type No(s). 0233, 0279.	310	690323	Screw (Starter Motor) (4 7/16" Long)
300B	498984	Muffler Used on Type No(s). 0144, 0149, 0151.			----- Note -----	310A	496880	Screw (Starter Motor) (4 1/4" Long)
300M	808705	Muffler Used on Type No(s). 0118, 0148, 0154, 0196.			841317 Cover–Cylinder Head (Cylinder 1)(Black)	310B	691263	Screw (Starter Motor) (4 13/16" Long)
		----- Note -----	308C	806546	Cover–Cylinder Head (Cylinder 1)(Black)	311	496887	Brush Set
		808896 Muffler Used on Type No(s). 0111, 0140, 0183, 0257, 0275.	308F	841183	Cover–Cylinder Head (Cylinder 1)(Black)	311A	497608	Brush Set
304	808658	Housing–Blower (Red)			Used on Type No(s). 0306.	321	690379	Fan–Booster Used on Type No(s). 0119, 0144, 0149, 0151.
		----- Note -----	308G	806544	Cover–Cylinder Head (Cylinder 2)(Black)	322	841233	Screw (Cylinder Head Cover)
		690915 Housing–Blower (Red) Used on Type No(s). 0145, 0150.			Used on Type No(s). 0233. (Used Before Code Date 03110100). Used on Type No(s). 0306.	322A	692067	Screw (Cylinder Head Cover)
304A	808651	Housing–Blower (Black)						
305	692056	Screw (Blower Housing) (M8 X 14)						
305A	692062	Screw (Blower Housing) (M8 X 18)						

★ Included in Engine Gasket Set–Ref. No. 358B.

● Included in Carburetor Overhaul Kit–Ref. No.121D.

△ Included in Valve Gasket Set–Ref. No. 1095.

Illustrations cover a range of engines. Parts shown without corresponding text may not be used on your specific engine.

381400

REF. NO.	PART NO.	DESCRIPTION	REF. NO.	PART NO.	DESCRIPTION	REF. NO.	PART NO.	DESCRIPTION
331	691075	Washer (Booster Fan) Used on Type No(s). 0119, 0144, 0149, 0151.	385	807084	Screw (Fuel Pump)	466	806466	Seal-O Ring (Breather Assembly)
332	690887	Nut (Flywheel)	387	808656	Pump-Fuel	467	691985	Knob-Air Cleaner
333	492341	Armature-Magneto	400	808657	Cooler-Oil	468	★690690	Seal-O Ring (Oil Pump Screen)
334	692066	Screw (Magneto Armature)	413	693587	Nut (Starter Motor)	474B	696459	Alternator (Dual Circuit) Used on Type No(s). 0148, 0155, 0259.
337	491055	Plug-Spark	414	690344	Washer (Bell Crank)	474C	696578	Alternator (Tri Circuit) Used on Type No(s). 0154.
338	691312	Gasket-Dipstick	415	690283	Plug	474D	696458	Alternator (10-16 Amp Regulated)
347	691995	Switch-Rocker	417	810074	Screw (Oil Cooler)	474E	696579	Alternator (20 Amp)
349	690238	Nut (Cylinder Head Cover)	431	808659	Elbow-Intake	474F	841178	Alternator (20 Amp) Used on Type No(s). 0183, 0272, 0276.
355	842122	Washer (Muffler Bracket)	431A	691534	Elbow-Intake	478B	691533	Panel
356	692961	Wire-Stop	432	691509	Cap-Spring	479	807084	Screw (Oil Pump Screen)
356A	690809	Wire-Stop (2 Wires, 10-3/4", And 12-1/2" Long, Connected By ShrinkTube)(Insulated Flag Female Blade Terminal, Flag Female Blade Terminal and 2 Ring Terminals)	436	808916	Manifold-Exhaust Used on Type No(s). 0144, 0149, 0151.	493A	691177	Bracket-Mounting Used on Type No(s). 0148.
357	691999	Wire-Stop	437	691902	Screw (Exhaust Manifold)	500	691086	Washer (Key Switch)
358B	842658	Gasket Set-Engine (Used After Code Date 05073000). ----- Note ----- 808617 Gasket Set-Engine (Used Before Code Date 05080100).	439	★692154	Seal-O Ring (Crankcase Cover/Sump) (Used After Code Date 97043000). ----- Note ----- 805198 Seal-O Ring (Crankcase Cover/Sump) (Used Before Code Date 97050100).	501	691185	Regulator (10-16 Amp Regulated)
359	691077	Washer (Ground Terminal)	440	690362	Screw (Booster Fan) Used on Type No(s). 0119, 0144, 0149, 0151.	501B	691573	Regulator (20 Amp) ----- Note ----- 841170 Regulator (20 Amp) Used on Type No(s). 0183, 0272, 0276.
363	19203	Puller-Flywheel	445	692519	Filter-Air Cleaner Cartridge	503	691532	Strap-Starter
365A	690866	Screw (Carburetor)	447	841233	Screw (Air Guide Cover)	505	690238	Nut (Governor Control Lever)
373	691612	Nut (Ground Terminal)	448	806423	Bracket-Oil Cooler			
377	808095	Key-Woodruff	455	690864	Cup-Flywheel			
383	19576	Wrench-Spark Plug	456	691529	Plate-Pawl Friction			
			459	808166	Pawl-Ratchet			
			460	806667	Connector-Filter Adapter			

★ Included in Engine Gasket Set-Ref. No. 358B.

● Included in Carburetor Overhaul Kit-Ref. No.121D.

△ Included in Valve Gasket Set-Ref. No. 1095.

Illustrations cover a range of engines. Parts shown without corresponding text may not be used on your specific engine.

381400

REF. NO.	PART NO.	DESCRIPTION	REF. NO.	PART NO.	DESCRIPTION	REF. NO.	PART NO.	DESCRIPTION
506	690677	Screw (Carburetor Cover)	565	690682	Stud (Oil Filter Adapter)	613A	691902	Screw (Muffler)
507	691972	Insulator	573	841310	Plate-Back			Used on Type No(s). 0158.
510	496881	Drive-Starter (Services Aluminum Ring Gear Only)(For Replacement Starter Motor, See Ref 309B)			----- Note -----	615	691550	Retainer-Governor Shaft
510A	696541	Drive-Starter			841127 Plate-Back (Used After Code Date 03103100). Used on Type No(s). 0152, 0273.	616	806685	Crank-Governor (Used After Code Date 99072000).
513	692024	Clutch-Drive			693045 Plate-Back (Used Before Code Date 03110100). Used on Type No(s). 0152.	616A	690899	Crank-Governor (Used Before Code Date 99072100).
515	691528	Spring-Pawl			841314 Plate-Back Used on Type No(s). 0183, 0272, 0276.	620	494052	Panel-Speed Control Screw
520	691084	Terminal-Ground	577	690795	Cable-Starter	628	806660	Fuel Pump Bracket)
522	491832	Plug-Dipstick/Fill	578	692306	Wire Assembly (1 Wire, 48-1/2" Long)(Snap Connect Female Pin Socket, And Bare Wire End)	633	●690722	Seal-Choke/Throttle Shaft
523A	693175	Dipstick				635	692076	Boot-Spark Plug
524	693172	Seal-Dipstick Tube				638	691551	Washer (Cylinder Head Cover)(Lock) (Used Before Code Date 03110100).
525	693174	Tube-Dipstick	578A	692319	Wire Assembly	638A	690706	Washer (Cylinder Head Cover)(Head)
525A	693173	Tube-Dipstick Used on Type No(s). 0136, 0233, 0306.	596	691492	Screw (Oil Pump)	643	692079	Retainer-Air Filter
526	692067	Screw (Regulator) (10-16 Amp Regulated)	597	690876	Screw (Pawl Friction Plate)	650	841233	Screw (Oil Deflector)
526B	691547	Screw (Regulator)(20 Amp)	598	807625	Shim-End Play (Crankshaft or Camshaft Bearing)	654	690939	Nut (Carburetor)
527	690423	Clamp-Tube	601	691038	Clamp-Hose	663	692083	Screw (Control Panel)
529	690744	Grommet	601A	841502	Clamp-Hose	664	691087	Nut (Key Switch)
544	690855	Armature-Starter	601B	791850	Clamp-Hose	668	690860	Spacer Used on Type No(s). 0119, 0144, 0149, 0151.
544A	693548	Armature-Starter	608	692102	Starter-Rewind	668A	691500	Spacer
544B		Armature-Starter (Serviced By 499521 Starter Motor Only)	613	692062	Screw (Muffler)	677B	690661	Screw (Muffler Deflector) Used on Type No(s). 0155.
552	690701	Bushing-Governor Crank (Output End)			----- Note -----	681	808798	Kit-Needle/Seat
552A	806686	Bushing-Governor Crank (Flanged)			692328 Screw (Muffler) Used on Type No(s). 0233, 0279.	683	691029	Nut (Starter Solenoid)
555	692067	Screw (Starter Solenoid)						
561	690713	Nut (Control Lever)						
562	690239	Bolt (Governor Control Lever)						
563	691982	Screw (Debris Screen Guard)						

★ Included in Engine Gasket Set-Ref. No. 358B.

● Included in Carburetor Overhaul Kit-Ref. No.121D.

△ Included in Valve Gasket Set-Ref. No. 1095.

Illustrations cover a range of engines. Parts shown without corresponding text may not be used on your specific engine.

6077-21

Assemblies include all parts shown in frames.

08/09/2005

381400

REF. NO.	PART NO.	DESCRIPTION	REF. NO.	PART NO.	DESCRIPTION	REF. NO.	PART NO.	DESCRIPTION
689	691272	Spring-Friction	801	808778	Cap-Drive	865A	690901	Cover-Air Guide
691	690680	Seal-Governor Shaft	801B	691283	Cap-Drive			----- Note -----
697	692062	Screw (Drive Cap)	802	496813	Cap-End			690908 Cover-Air Guide
711A	691492	Screw (Carburetor Shield)	802A	691286	Cap-End			Guide (Valley)(Black)
718	806469	Pin-Locating	803	690854	Housing-Starter			Used on Type No(s). 0233, 0306.
718A	690760	Pin-Locating Used on Type No(s). 0119, 0144, 0149, 0151.	803A	693547	Housing-Starter	868	Δ691963	Seal-Valve
725C	806102	Shield-Heat	803B		Housing-Starter (Serviced By 499521 Starter Motor Only)	871	692057	Bushing-Valve Guide
726		Gear-Ring (Steel)(See Reference 23 for Service)	812	Δ692055	Nut (Rocker Cover) (Used Before Code Date 01120300).	877	393456	Wire/Connector- Alternator (White Dual Socket)
727	841313	Cover-Starter Drive	813	690635	Clamp	877B	393537	Wire/Connector- Alternator (Green)(Single Socket)
728	692062	Screw (Heat Shield)	816	690706	Washer (Oil Filter Adapter)	877C	399916	Wire/Connector- Alternator (2 Wires, 7-53/64" Long)(2 Bare Wire Ends, And Insulated Snap Connect Male Pin Terminal)
729	690586	Clip-Wire	819C	692067	Screw (Muffler Bracket)	877D	698092	Wire/Connector- Alternator
732	690688	Screw (Starter Drive Cover)	819D	692062	Screw (Muffler Bracket)	878	398661	Harness-Alternator (2 Wires, 48-1/2", And 48-1/2" Long)(Snap Connect Female Pin Terminal,And 2 Bare Wire Ends)
732A	841233	Screw (Starter Drive Cover)	830	809157	Stud-Rocker Arm	878A	691955	Harness-Alternator (Tri Circuit)
737	690679	Screw (Oil Filter Adapter)	833A	807084	Screw (Air Cleaner Mounting Strap/Stud)	878B	691362	Harness-Alternator Used on Type No(s). 0158.
739	690451	Clip-Debris	837	808085	Spacer-Muffler Used on Type No(s). 0111, 0140, 0148, 0154, 0183, 0196, 0257, 0275.	879	690757	Cover-Carburetor
741	691530	Gear-Timing	840	692096	Kit-Panel	883A	★Δ806425	Gasket-Exhaust
750	841233	Screw (Oil Pump Cover)	849	691088	Screw (Stub Shaft)	884	690853	Clamp-Muffler
773	690875	Retainer	851	493880	Terminal-Spark Plug	884A	691956	Clamp-Muffler Used on Type No(s). 0144, 0149, 0151 0155.
774	692067	Screw (Stop Wire)	855	809896	Adapter-Air Cleaner Used on Type No(s). 0145, 0150.	892	692318	Switch-Key
783	695708	Gear-Pinion (Services Aluminum Ring Gear Only)	862B	691539	Strap/Stud-Air Cleaner Mounting	899	691077	Washer (Starter Solenoid)
788	691559	Bracket-Fuel Pump	863B	805610	Bracket-Muffler	914	806421	Screw (Rocker Cover)
789	691996	Harness-Wiring ----- Note ----- 691578 Harness- Wiring Used on Type No(s). 0135, 0253. 841318 Harness- Wiring Used on Type No(s). 0152.	865	841312	Cover-Air Guide (Valley)(Black) ----- Note ----- 841231 Cover-Air Guide (Valley)(Black) Used on Type No(s). 0233, 0306.			
797	691029	Nut (Brush Retainer)						
797A	693167	Nut (Brush Retainer)						

★ Included in Engine Gasket Set-Ref. No. 358B.

● Included in Carburetor Overhaul Kit-Ref. No.121D.

Δ Included in Valve Gasket Set-Ref. No. 1095.

Illustrations cover a range of engines. Parts shown without corresponding text may not be used on your specific engine.

6077-22

Assemblies include all parts shown in frames.

08/09/2005

381400

REF. NO.	PART NO.	DESCRIPTION	REF. NO.	PART NO.	DESCRIPTION	REF. NO.	PART NO.	DESCRIPTION
918	393815	Hose-Vacuum (Cut To Required Length)	1023A	808648	Cover-Rocker (Includes Breather Assembly)	1047	841580	Shaft-Stub
920	691656	Solenoid-Starter	1023C	690910	Cover-Rocker	1051	691124	Ring-Retaining
934	691058	Screw (Fan Retainer)	1024	693185	Pump-Oil	1051A	691265	Ring-Retaining
947	808624	Solenoid-Fuel (Used After Code Date 03061900). Used on Type No(s). 0145, 0150.	1025	690689	Spool-Governor	1054	280275	Tie-Cable
949	690475	Guard-Debris Screen	1026	691836	Rod-Push (Intake)(Steel) ----- Note ----- 691758 Rod-Push (Exhaust)(Aluminum)	1058	276343	Operator's Manual
955	808176	Plug-Carburetor	1027	492932	Filter-Oil	1068	841999	Hose/Clamp Assembly
955A	807723	Plug-Carburetor	1028	808235	Adapter-Oil Filter	1090	691293	Retainer-Brush
958A	698183	Valve-Fuel Shut Off (Plastic)	1028B	808537	Adapter-Oil Filter	1091	●691516	Cap-Limiter
967A	692520	Filter-Pre Cleaner	1029	807323	Arm-Rocker	1095	842659	Gasket Set-Valve (Used After Code Date 05073000). ----- Note -----
968A	808654	Cover-Air Cleaner	1036		Label-Emissions (Used After Code Date 05071700). (Available from an Authorized Briggs & Stratton Service Dealer)	808619	Gasket Set-Valve (Used Before Code Date 05080100).	
971A	841233	Screw (Air Cleaner Base to Carburetor)			----- Note ----- 841641 Label-Emissions (Used After Code Date 04063000 and Before Code Date 05071800). 806888 Label-Emissions (Used After Code Date 00063000 and Before Code Date 04070100). 806700 Label-Emissions (Used After Code Date 99093000 and Before Code Date 00070100). 806646 Label-Emissions (Used After Code Date 98123100 and Before Code Date 99100100). 692816 Label-Emissions (Used Before Code Date 99010100).	1100	690973	Pivot-Rocker Arm
975	808627	Bowl-Float ----- Note ----- 841160 Bowl-Float (Used After Code Date 03061900). Used on Type No(s). 0145, 0150.				1113	690677	Screw (Panel)
987	●691000	Seal-Throttle Shaft				1119	691552	Screw (Alternator)
988	★692063	Gasket-Oil Adapter				1127	690885	Screw (Float Bowl)
990	691959	Key Set				1131	842067	Nut (Crankcase Cover/Sump)
996B	690917	Shield-Carburetor				1133	690342	Screw (Crankshaft) Used on Type No(s). 0118, 0119, 0144.
1004A	806422	Duct-Air				1135	806497	Washer (Crankcase Cover/Sump)
1005	809441	Fan-Flywheel (Used After Code Date 03043000). ----- Note ----- 690911 Fan-Flywheel (Used Before Code Date 03050100).				1155	806647	Washer (Oil Cooler)
1006	690452	Retainer-Fan				1157	806447	Nut (Bell Crank)
1009	806474	Screw (Starter Motor)				1158	807468	Screw (Carburetor Plug)
1017	690900	Screen-Oil Pump				1176	842067	Nut (Exhaust Manifold)
1019	808158	Kit-Label				1254	807084	Screw (Rocker Cover Stud) (Used After Code Date 01120200).
1022	△★806039	Gasket-Rocker Cover				1330	272144	Repair Manual
1023	690758	Cover-Rocker Used on Type No(s). 0270.	1046	841165	Plug-Blower Housing Used on Type No(s). 0145, 0150.	1346	492031	Valve-Oil Drain Shut Off

★ Included in Engine Gasket Set-Ref. No. 358B.

● Included in Carburetor Overhaul Kit-Ref. No.121D.

△ Included in Valve Gasket Set-Ref. No. 1095.

Illustrations cover a range of engines. Parts shown without corresponding text may not be used on your specific engine.

6077-23

Assemblies include all parts shown in frames.

08/09/2005