



Illustrated Parts List

Model Series

31X700

TYPE NUMBERS
0777.

TABLE OF CONTENTS

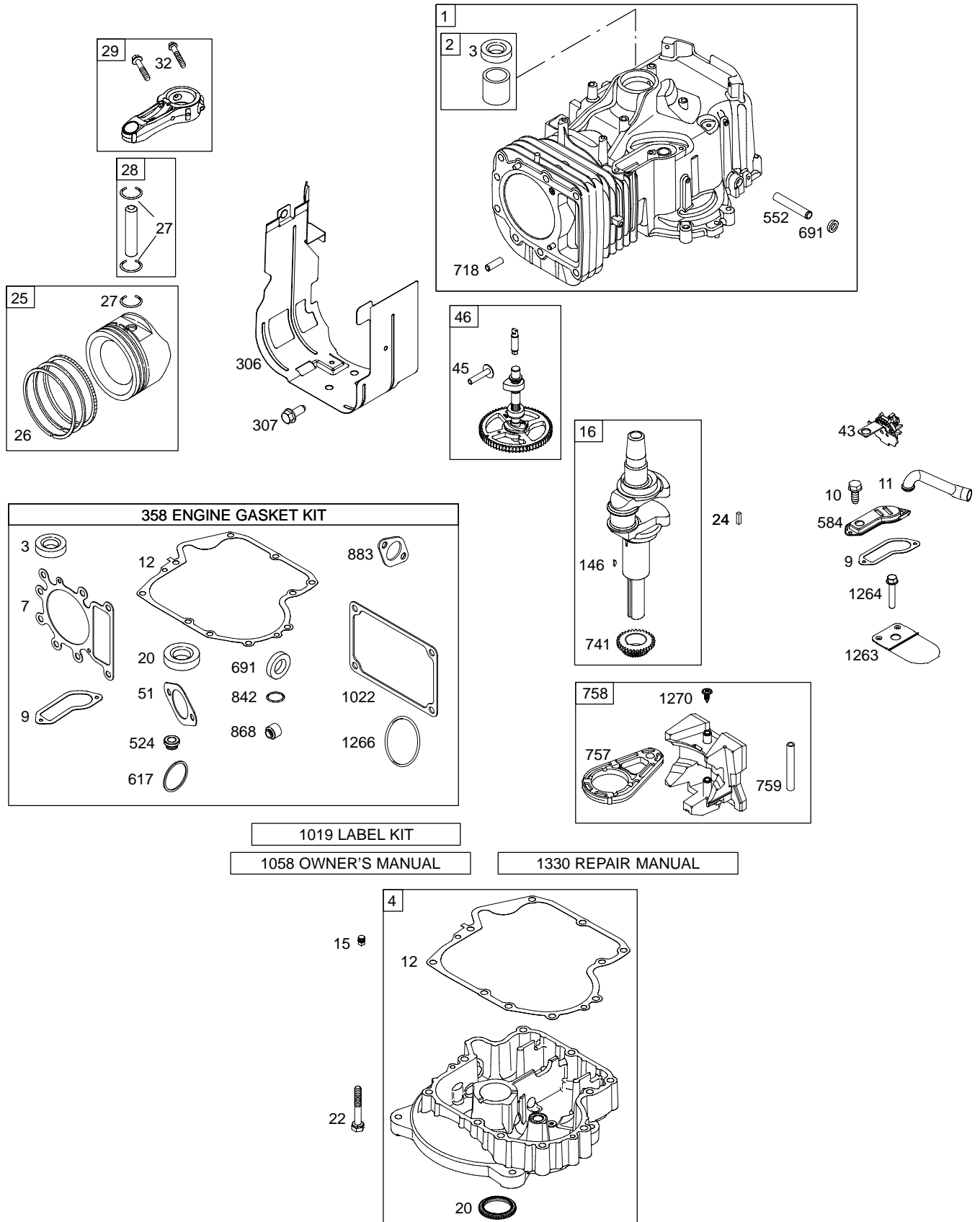
Air Cleaner	5
Alternator	7
Blower Housing	5
Camshaft	2
Carburetor	4
Controls	7
Crankshaft	2
Cylinder	2
Cylinder Head	3
Electric Starter	7
Engine Sump	2
Flywheel	6
Fuel Supply	5
Governor Spring	7
Ignition	7
Kit - Carburetor Overhaul	4
Gasket Set - Engine	2
Gasket Set - Valve	3
Lubrication	3
Piston, Rings, Connecting Rod	2
Valves	3



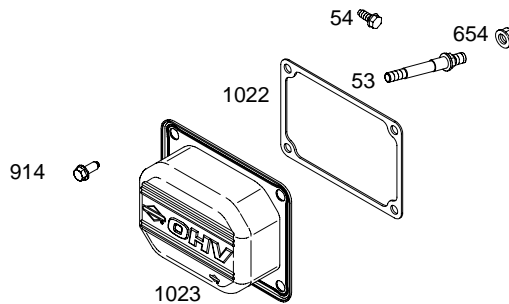
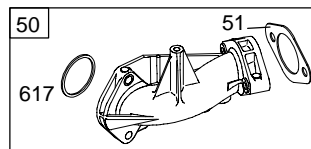
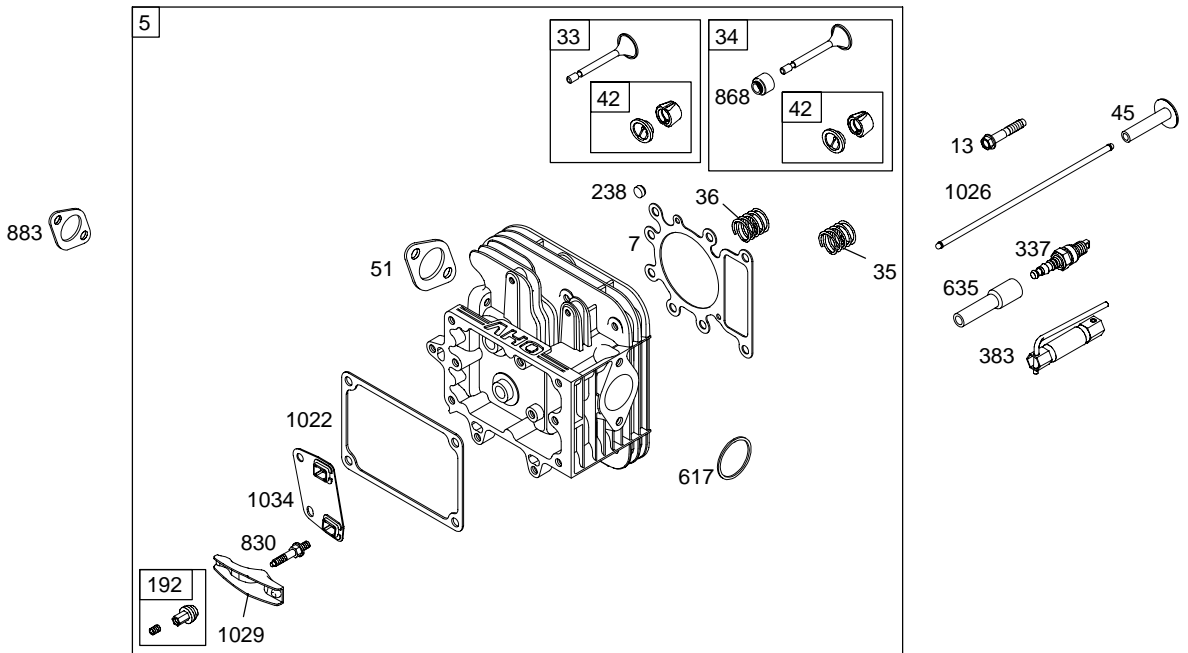
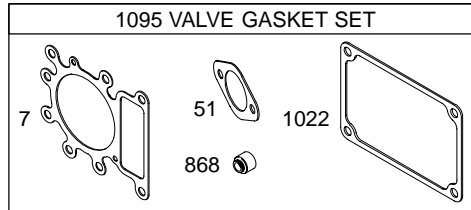
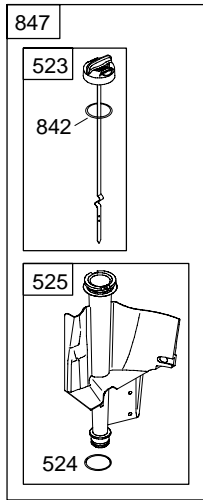
PRINTED IN U.S.A.

COPYRIGHT by BRIGGS & STRATTON CORPORATION
All rights reserved. No part of this material may be reproduced or transmitted, in any form or by any means, electronic or mechanical, including photocopying, recording or by any information storage and retrieval system, without permission in writing from Briggs & Stratton Corporation.

31X700

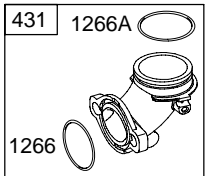
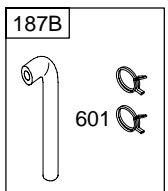
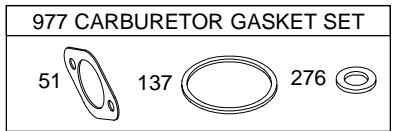
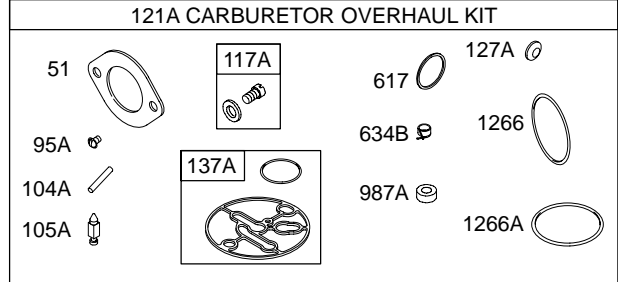
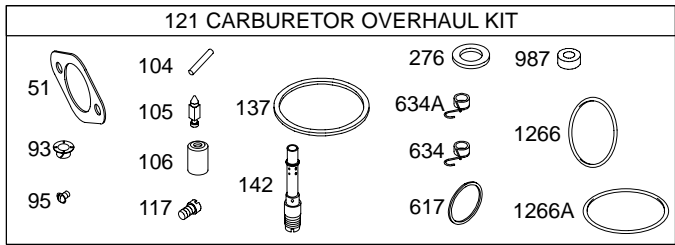
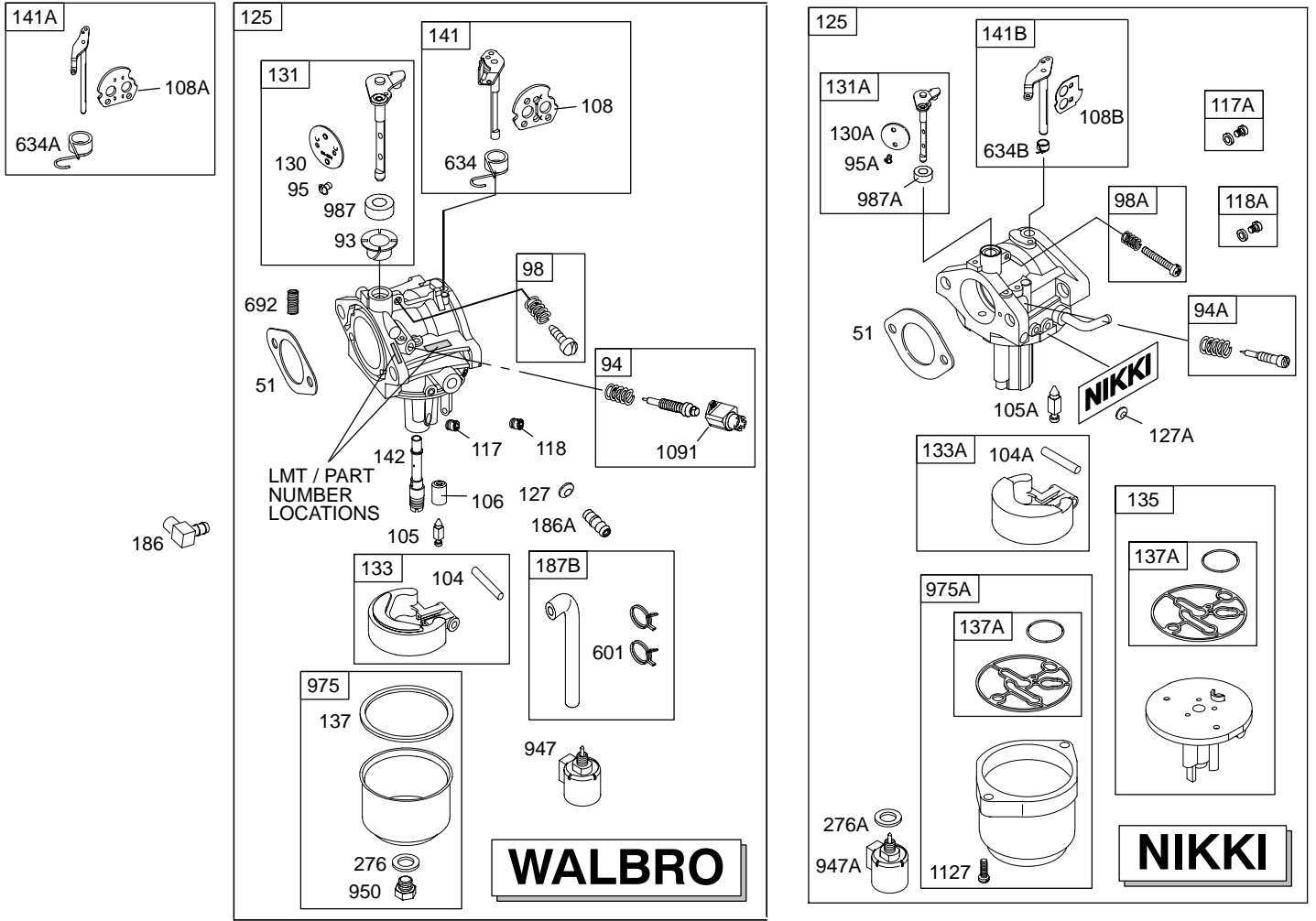


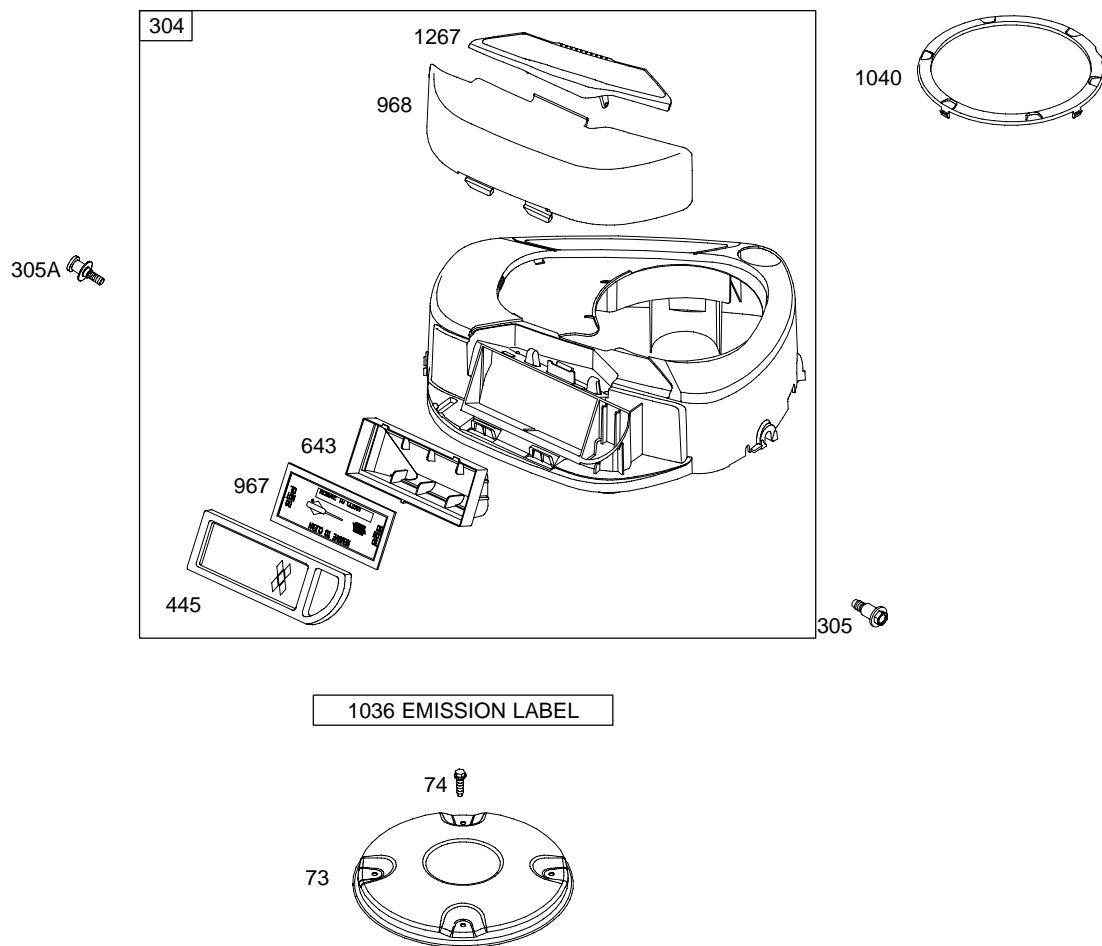
Illustrations cover a range of engines. Parts shown without corresponding text may not be used on your specific engine.



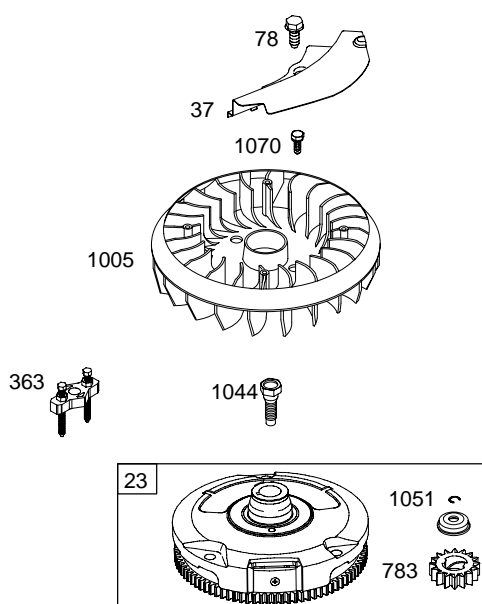
Illustrations cover a range of engines. Parts shown without corresponding text may not be used on your specific engine.
 3506-3 Assemblies include all parts shown in frames. 08/01/2005

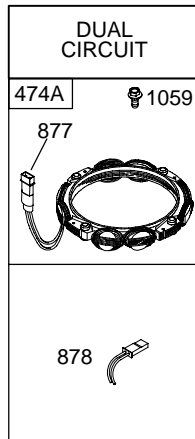
31X700






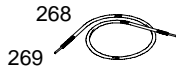
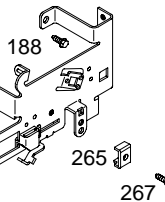
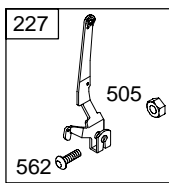
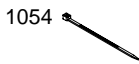
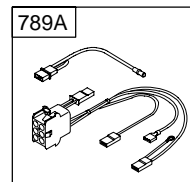
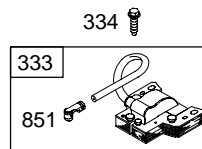
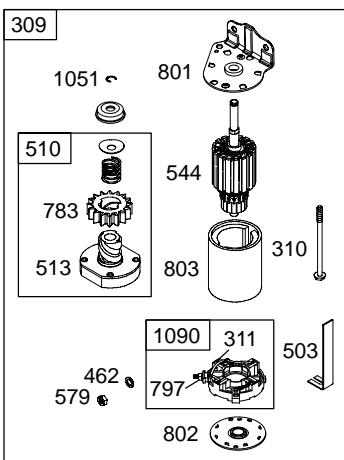
31X700





NOTE: All stators use a No. 1119 mounting screw. 

NOTE: The proper flywheel part number and/or the alternator magnet size will determine the alternator type or output. See repair instruction manual for additional information.



Illustrations cover a range of engines. Parts shown without corresponding text may not be used on your specific engine.
 3506-7 Assemblies include all parts shown in frames. 08/01/2005

31X700

REF. NO.	PART NO.	DESCRIPTION	REF. NO.	PART NO.	DESCRIPTION	REF. NO.	PART NO.	DESCRIPTION
1	697174	Cylinder Assembly	37	697352	Guard-Flywheel	121A	699521	Kit-Carburetor Overhaul (Nikki Carburetor)
2	399265	Kit-Bushing/Seal (Magneto Side)	42	499586	Keeper-Valve	125	698445	Carburetor (Gravity Feed)
3	391086	Seal-Oil (Magneto Side)	43	691968	Slinger-Governor/Oil	127	695005	Plug-Welch (5/16" Diameter)
4	697106	Sump-Engine	45	690564	Tappet-Valve	127A	690727	Plug-Welch
5	698148	Head-Cylinder	46	790400	Camshaft	130	691750	Valve-Throttle
7	699168	Gasket-Cylinder Head	50	690193	Manifold-Intake	130A	699500	Valve-Throttle
9	697109	Gasket-Breather	51	692137	Gasket-Intake	131	494379	Kit-Throttle Shaft
10	697157	Screw (Breather Assembly)	53	690227	Stud (Carburetor)	131A	699501	Kit-Throttle Shaft
11	697113	Tube-Breather	54	691148	Screw (Intake Manifold)	133	494381	Float-Carburetor
12	697110	Gasket-Crankcase (.015" Thick)(Standard)	73	697133	Screen-Rotating	133A	694914	Float-Carburetor
13	690360	Screw (Cylinder Head)	74	697897	Screw (Rotating Screen)	135	698780	Tube-Fuel Transfer
15	690946	Plug-Oil Drain (3/8" Diameter)	78	691003	Screw (Flywheel Guard)	137	281165	Gasket-Float Bowl
16	697127	Crankshaft	93	690602	Bushing-Throttle Shaft	137A	698781	Gasket-Float Bowl
20	690947	Seal-Oil (PTO Side)	94	498030	Kit-Idle Mixture	141	495097	Kit-Choke Shaft (Walbro Carburetor Part No. 697204)
22	692125	Screw (Crankcase Cover/Sump)	94A	695425	Kit-Idle Mixture	141A	495931	Kit-Choke Shaft (Walbro Carburetor Part No. 697203)
23	693557	Flywheel	95	691636	Screw (Throttle Valve)	141B	698778	Kit-Choke Shaft
24	222698	Key-Flywheel	95A	690718	Screw (Throttle Valve)	142	697140	Nozzle-Carburetor (Standard)
25	699052	Piston Assembly (Standard)	98	495800	Kit-Idle Speed	146	691639	Key-Timing
		----- Note -----	98A	695408	Kit-Idle Speed	186	692317	Connector-Hose (90 Degree)
		699054 Piston Assembly (.020" Oversize)	104	690525	Pin-Float Hinge	186A	698174	Connector-Hose (Straight)
26	699051	Ring Set-STD (Standard)	104A	694918	Pin-Float Hinge	187B	791805	Line-Fuel (Formed)(10-1/4 Inches Long)(Cut to Required Length)
		----- Note -----	105	231855	Valve-Float Needle	188	691693	Screw (Control Bracket)
		697559 Ring Set-STD (.020" Oversize)	105A	696136	Valve-Float Needle	192	691986	Adjuster-Rocker Arm
27	698469	Lock-Piston Pin	106	690577	Seat-Inlet (Gravity Feed)	202	691841	Link-Mechanical Governor
28	697099	Pin-Piston (Standard)	108	690464	Valve-Choke (Walbro Carburetor Part No. 697204)	209	692208	Spring-Governor (Green)
29	791631	Rod-Connecting (Standard)	108A	692344	Valve-Choke (Walbro Carburetor Part No. 697203)	216	691840	Link-Choke
32	791118	Screw (Connecting Rod)	108B	695419	Valve-Choke	222	694042	Bracket-Control
33	695760	Valve-Exhaust	117	694352	Jet-Main (Standard)	227	691374	Lever-Governor Control
34	695761	Valve-Intake	117A	699457	Jet-Main (Standard)	232	691842	Spring-Governor Link
35	691279	Spring-Valve (Intake)	118	697228	Jet-Main (High Altitude)	238	691843	Cap-Valve
36	691279	Spring-Valve (Exhaust)	118A	699458	Jet-Main (High Altitude)			
			121	697241	Kit-Carburetor Overhaul (Walbro Carburetor)			

★ Included in Engine Gasket Set-Ref. No.358.

● Included in Carburetor Overhaul Kit-Ref. No. 121 or 121A.

◆ Included in Carburetor Gasket Set-Ref. No. 977.

△ Included in Valve Gasket Set-Ref. No 1095.

Illustrations cover a range of engines. Parts shown without corresponding text may not be used on your specific engine.

31X700

REF. NO.	PART NO.	DESCRIPTION	REF. NO.	PART NO.	DESCRIPTION	REF. NO.	PART NO.	DESCRIPTION
240	394358	Filter-Fuel (White, 75 Microns)	510	693699	Drive-Starter	801	691283	Cap-Drive
265	691024	Clamp-Casing	513	692024	Clutch-Drive	802	691286	Cap-End
267	695134	Screw (Casing Clamp)	523	699908	Dipstick	803		Housing-Starter (Not Serviced Separately, Order Starter Motor 693551)
268	691025	Casing-Control Wire (Cut To Required Length)	524	691032	Seal-Dipstick Tube	830	691095	Stud-Rocker Arm
269	691026	Wire-Control (Cut To Required Length)	525	697184	Tube-Dipstick	842	691031	Seal-O Ring (Dipstick Tube)
270	691027	Nut (Control Wire Casing)	544	692034	Armature-Starter	847	790442	Dipstick/Tube Assembly
271	691028	Lever-Control	552	697144	Bushing-Governor Crank	851	692424	Terminal-Spark Plug
276	692255	Washer-Sealing	562	691119	Bolt (Governor Control Lever)	868	690968	Seal-Valve
276A	695410	Washer-Sealing	579	691029	Nut (Starter Cable)	877	393456	Wire/Connector- Alternator (Dual Circuit)
304	698402	Housing-Blower (Red)	584	697112	Cover-Breather Passage	878	691237	Harness-Alternator (Dual Circuit)
305	697102	Screw (Blower Housing)	601	791850	Clamp-Hose	883	692236	Gasket-Exhaust
305A	697103	Screw (Blower Housing)	614	691620	Pin-Cotter	914	691108	Screw (Rocker Cover)
306	697107	Shield-Cylinder	616	692012	Crank-Governor	947	694393	Solenoid-Fuel
307	691003	Screw (Cylinder Shield)	617	692138	Seal-O Ring (Intake Manifold)	947A	695423	Solenoid-Fuel
309	693551	Motor-Starter	634	690801	Spring/Seal Assembly (Walbro Carburetor Part No. 697204)	950	691657	Screw-Float Bowl
310	690323	Screw (Starter Motor)	634A	690802	Spring/Seal Assembly (Walbro Carburetor Part No.s 696181, 697203)	967	697015	Filter-Pre Cleaner
311	497608	Brush Set	634B	698779	Spring/Seal Assembly	968	698403	Cover-Air Cleaner (Black)
333	492341	Armature-Magneto	635	691909	Boot-Spark Plug	975	495933	Bowl-Float
334	691061	Screw (Magneto Armature)	643	698401	Retainer-Air Filter	975A	699502	Bowl-Float
337	491055	Plug-Spark	643	698401	Retainer-Air Filter	977	690192	Gasket Set-Carburetor
358	697191	Gasket Set-Engine	654	690958	Nut (Carburetor)	987	691326	Seal-Throttle Shaft
363	19203	Puller-Flywheel	691	692407	Seal-Governor Shaft	987A	698777	Seal-Throttle Shaft
383	89838	Wrench-Spark Plug	692	690572	Spring-Detent	1005	699043	Fan-Flywheel
404	691691	Washer (Governor Crank)	697	690372	Screw (Drive Cap)	1019	699196	Kit-Label
431	697122	Elbow-Intake	718	690959	Pin-Locating	1022	272475	Gasket-Rocker Cover
445	698083	Filter-Air Cleaner Cartridge (Non Washable)	729A	691224	Clip-Wire	1023	791079	Cover-Rocker
462	691261	Washer (Starter Cable)	741	697128	Gear-Timing	1026	692003	Rod-Push (Intake)
474A	696459	Alternator (Dual Circuit)	757	697607	Link-Counterweight			----- Note -----
503	691532	Strap-Starter	758	697134	Counterweight			692011 Rod-Push (Exhaust)
505	691251	Nut (Governor Control Lever)	759	697392	Pin-Counterweight			
			783	693713	Gear-Pinion			
			789A	698329	Harness-Wiring			
			797	693167	Nut (Brush Retainer)			

★ Included in Engine Gasket Set-Ref. No.358.

● Included in Carburetor Overhaul Kit-Ref. No. 121 or 121A.

◆ Included in Carburetor Gasket Set-Ref. No. 977.

△ Included in Valve Gasket Set-Ref. No 1095.

Illustrations cover a range of engines. Parts shown without corresponding text may not be used on your specific engine.

3506-9

Assemblies include all parts shown in frames.

08/01/2005

31X700

REF. NO.	PART NO.	DESCRIPTION	REF. NO.	PART NO.	DESCRIPTION	REF. NO.	PART NO.	DESCRIPTION
1029	691751	Arm-Rocker	1090	691293	Retainer-Brush	1266	691917	Seal-O Ring (Intake Elbow)
1034	690822	Guide-Push Rod	1091	691333	Cap-Limiter			
1036		Label-Emissions (Available from an Authorized Briggs & Stratton Service Dealer)	1095	690190	Gasket Set-Valve	1266A	697123	Seal-O Ring (Intake Elbow)
			1119	691183	Screw (Alternator)	1267	697419	Latch-Blower Housing
			1127	695407	Screw (Float Bowl)	1270	697156	Plug-AVS Counterweight
1040	698368	Plate-Trim	1263	697124	Reed-Breather	1330	272147	Repair Manual
1044	698139	Screw (Flywheel)	1264	697104	Screw (Breather Reed)			
1051	691265	Ring-Retaining						
1054	280275	Tie-Cable						
1058	275935	Operator's Manual						
1059	698516	Kit-Screw/Washer						
1070	690372	Screw (Flywheel Fan)						

★ Included in Engine Gasket Set-Ref. No.358.

● Included in Carburetor Overhaul Kit-Ref. No. 121 or 121A.

◆ Included in Carburetor Gasket Set-Ref. No. 977.

△ Included in Valve Gasket Set-Ref. No 1095.

Illustrations cover a range of engines. Parts shown without corresponding text may not be used on your specific engine.

3506-10

Assemblies include all parts shown in frames.

08/01/2005