



31L700

Illustrated Parts List

Model Series

31L700

TYPE NUMBERS
0036 Through 0192

TABLE OF CONTENTS

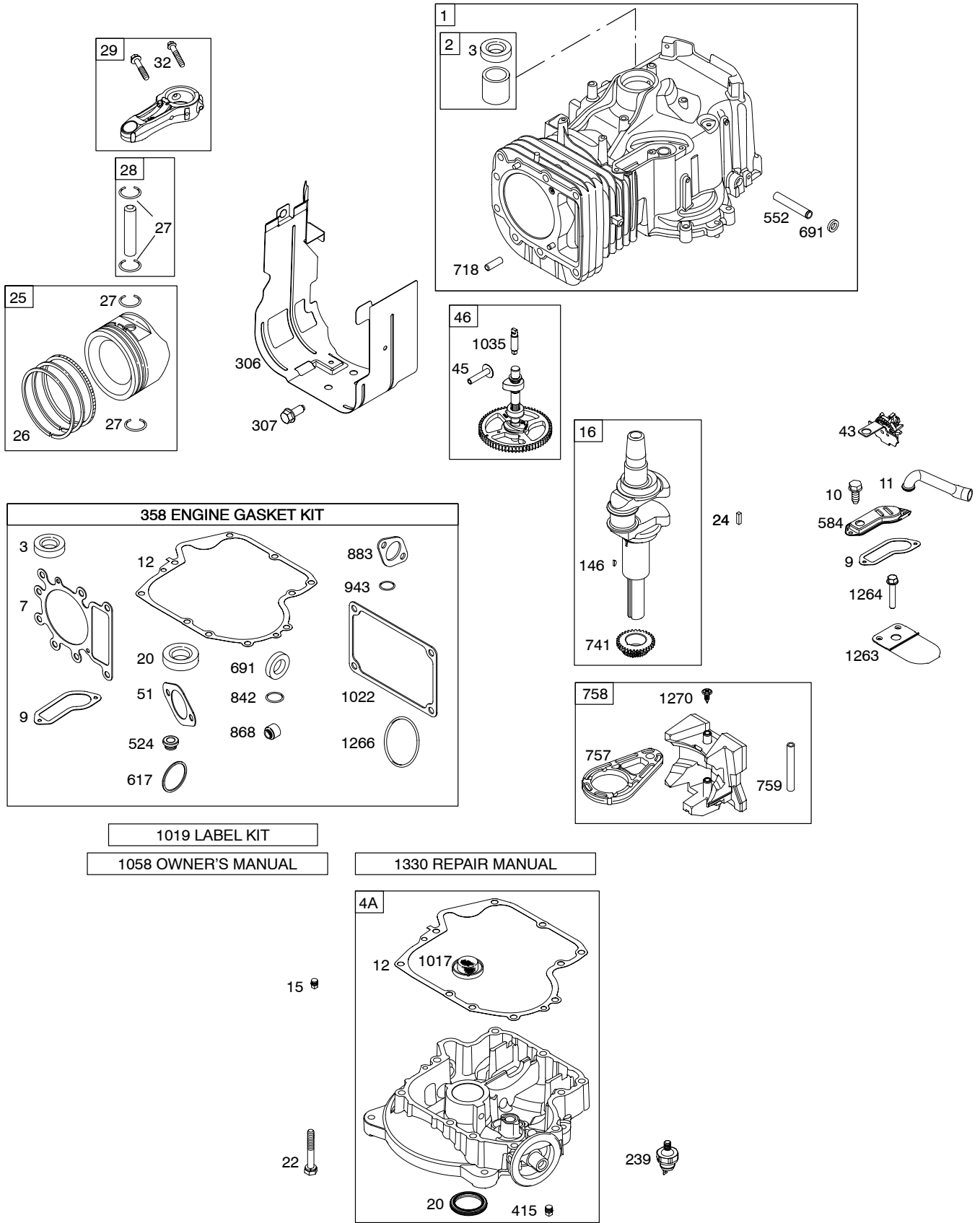
Air Cleaner	5
Alternator	7
Blower Housing	5
Camshaft	2
Carburetor	4
Controls	7
Crankshaft	2
Cylinder	2
Cylinder Head	3
Electric Starter	7
Engine Sump	2
Exhaust System	5
Flywheel	6
Fuel System	4
Gasket Set - Engine	3
Gasket Set - Valve	3
Governor Spring	7
Ignition	7
Kit - Carburetor Overhaul	4
Lubrication	3
Piston, Rings, Connecting Rod	2
Valves	3



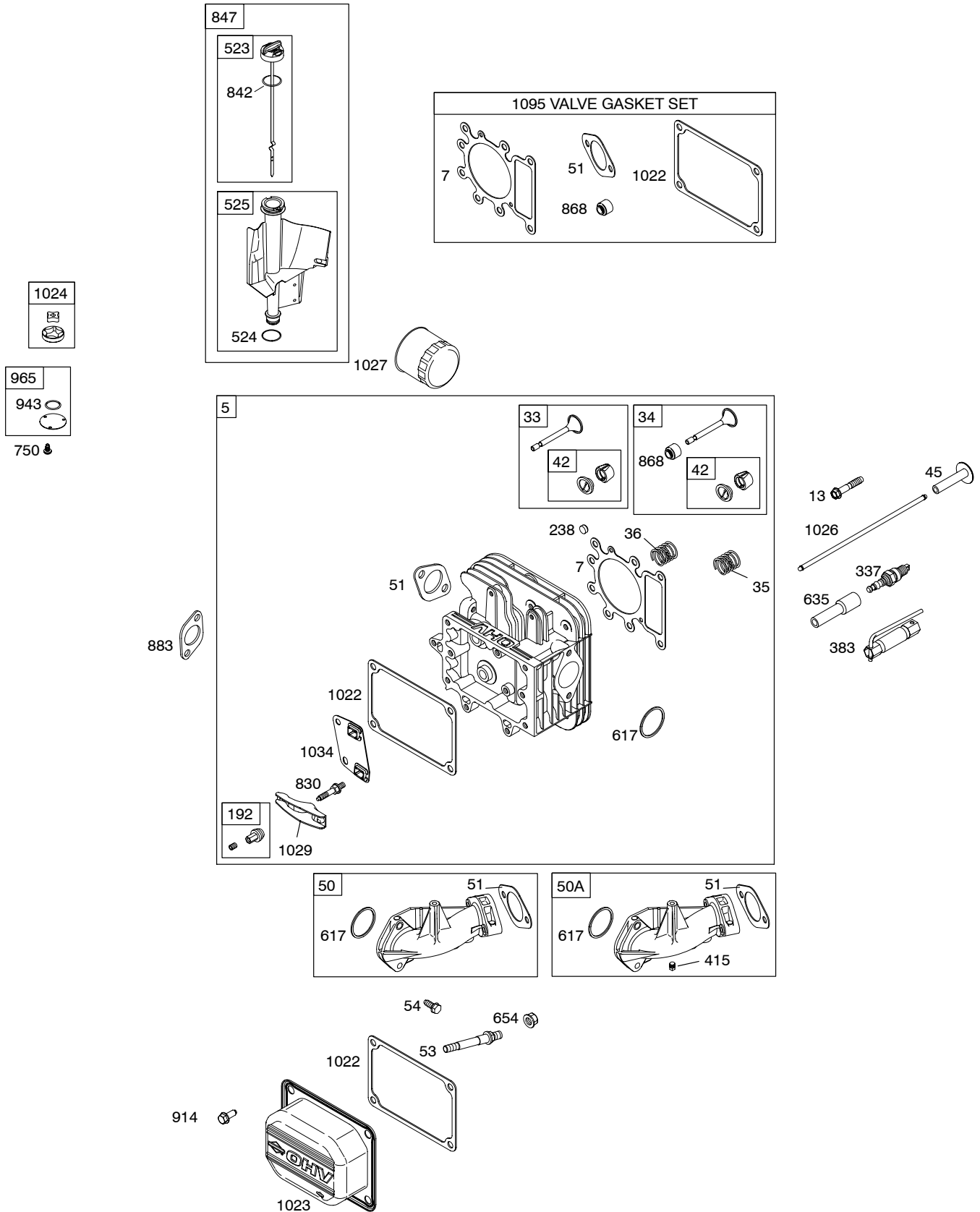
PRINTED IN U.S.A.

COPYRIGHT by BRIGGS & STRATTON CORPORATION
All rights reserved. No part of this material may be reproduced or transmitted, in any form or by any means, electronic or mechanical, including photocopying, recording or by any information storage and retrieval system, without permission in writing from Briggs & Stratton Corporation.

31L700

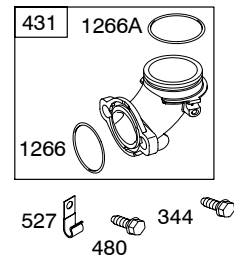
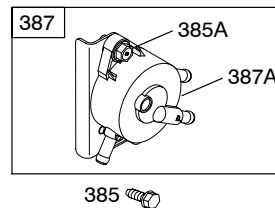
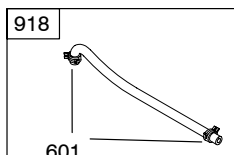
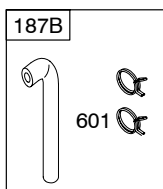
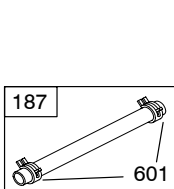
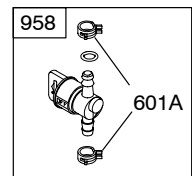
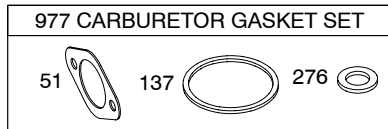
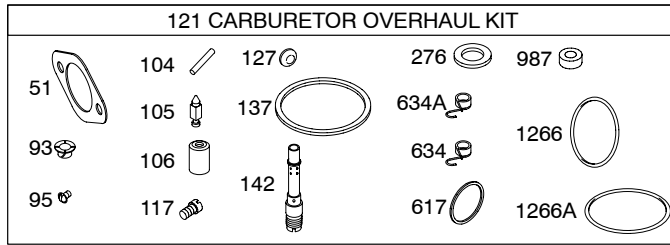
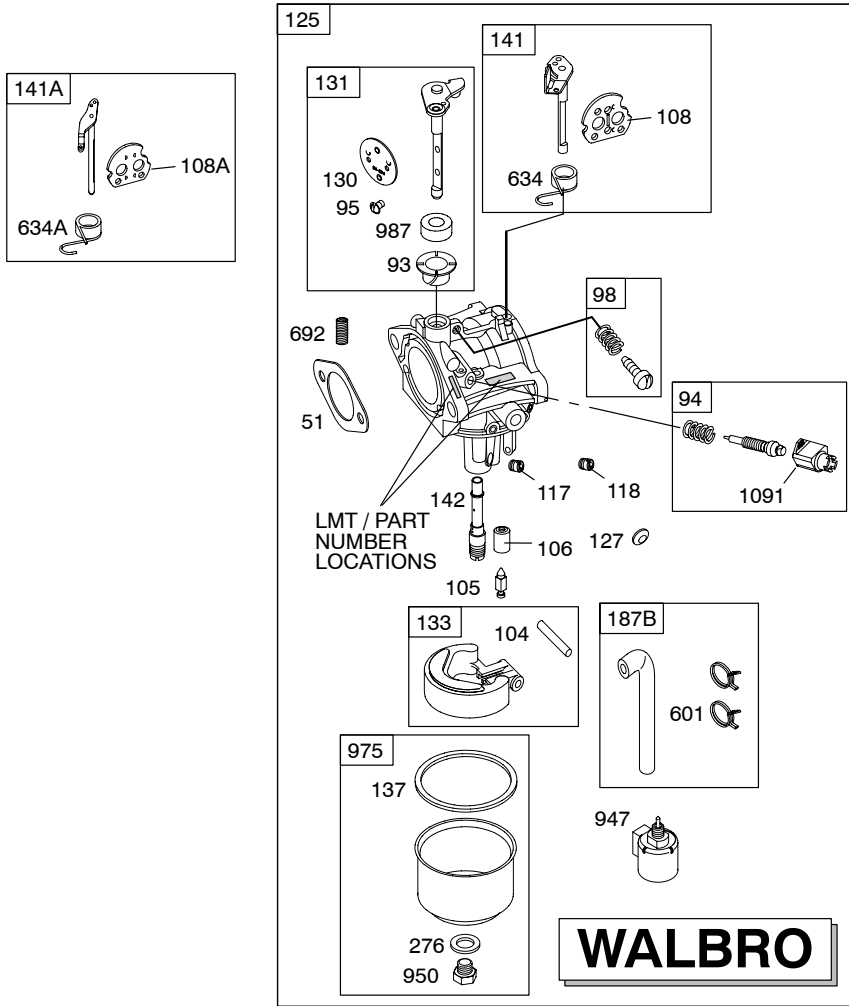


Illustrations cover a range of engines. Parts shown without corresponding text may not be used on your specific engine. 5070-2 Assemblies include all parts shown in frames. 12/21/2005



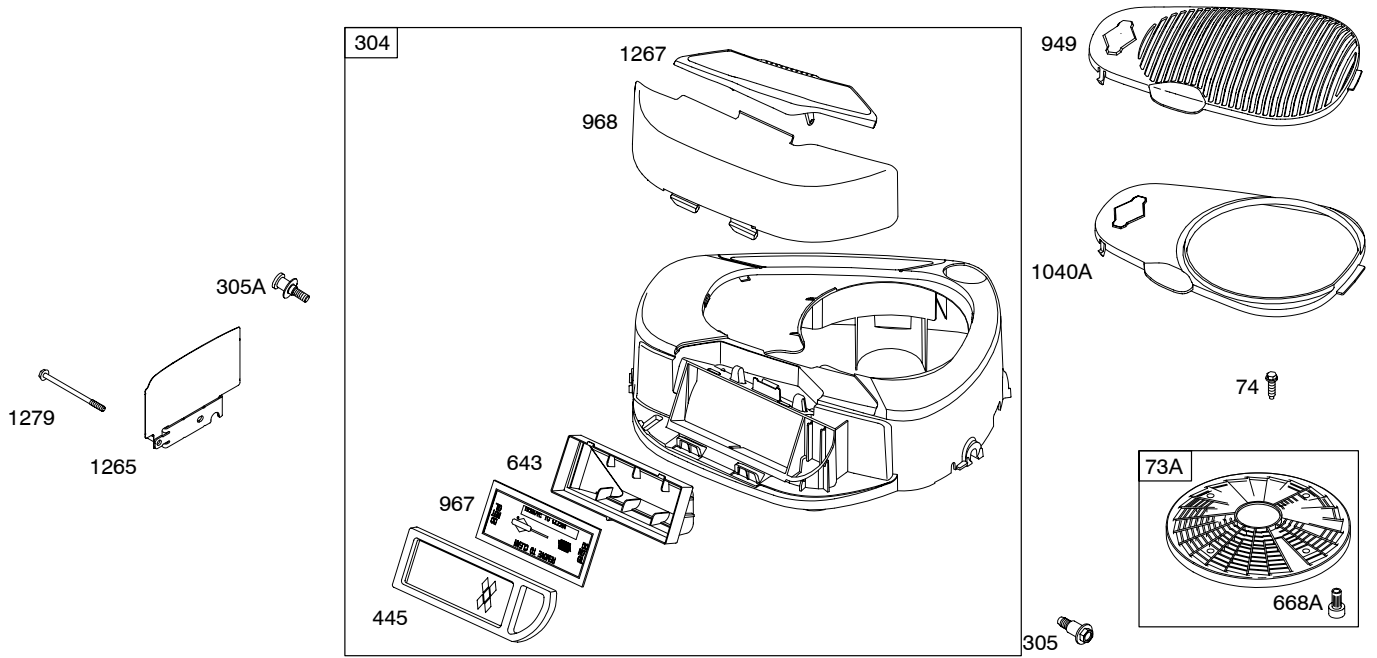
Illustrations cover a range of engines. Parts shown without corresponding text may not be used on your specific engine.
 5070-3 Assemblies include all parts shown in frames. 12/21/2005

31L700

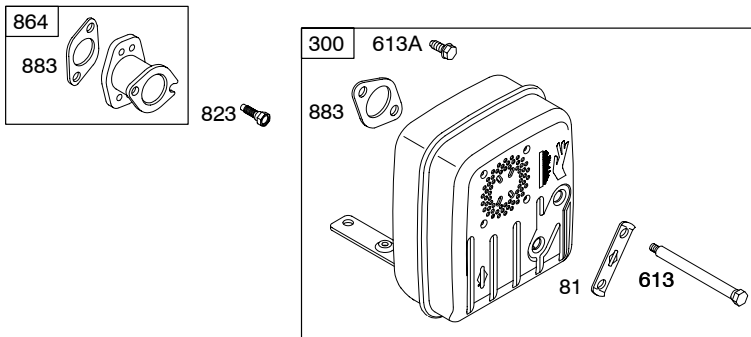


Illustrations cover a range of engines. Parts shown without corresponding text may not be used on your specific engine. 5070-4 Assemblies include all parts shown in frames. 12/21/2005

31L700

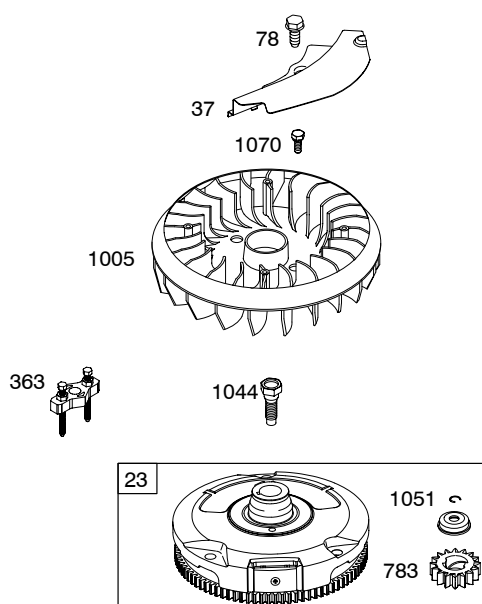


1036 EMISSION LABEL



Illustrations cover a range of engines. Parts shown without corresponding text may not be used on your specific engine.
 5070-5 Assemblies include all parts shown in frames. 12/21/2005

31L700

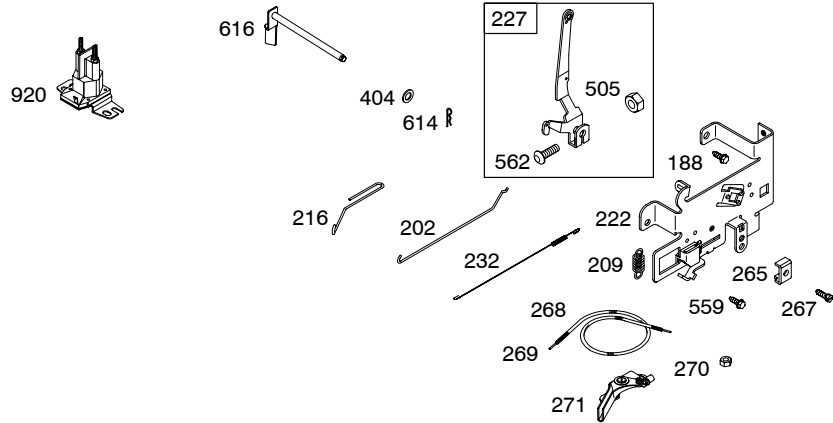
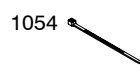
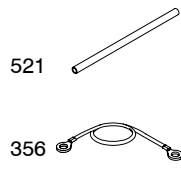
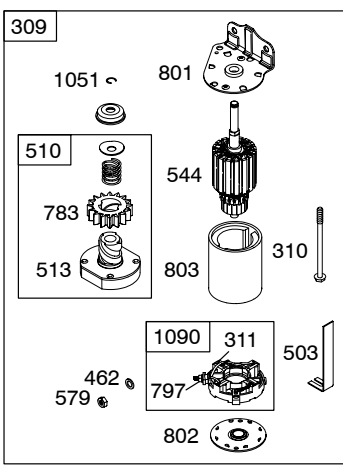
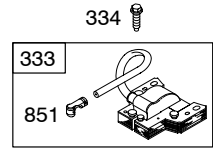
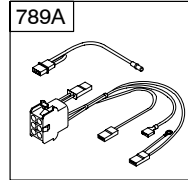
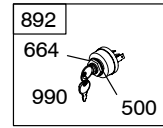
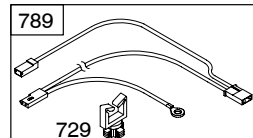


DUAL CIRCUIT		TRI CIRCUIT		10 AMP	
474A	1059	474B	1059	474C	1059
877		877B		877C	
878		878A		578	



NOTE: All stators use a No. 1119 mounting screw.

NOTE: The proper flywheel part number and/or the alternator magnet size will determine the alternator type or output. See repair instruction manual for additional information.



Illustrations cover a range of engines. Parts shown without corresponding text may not be used on your specific engine.
 5070-7 Assemblies include all parts shown in frames. 12/21/2005

31L700

REF. NO.	PART NO.	DESCRIPTION	REF. NO.	PART NO.	DESCRIPTION	REF. NO.	PART NO.	DESCRIPTION
1	697174	Cylinder Assembly	25	792507	Piston Assembly (Standard) (Used After Code Date 05100200).	29	791632	Rod-Connecting (Standard) (Used After Code Date 05040300).
2	399265	Kit-Bushing/Seal (Magneto Side)			----- Note -----			----- Note -----
3	★391086	Seal-Oil (Magneto Side)			792648 Piston Assembly (.020" Oversize) (Used After Code Date 05100200).			697518 Rod-Connecting (Standard) (Used Before Code Date 05040400).
4A	697188	Sump-Engine			699052 Piston Assembly (Standard) (Used Before Code Date 05100300).			697264 Rod-Connecting (.020" Undersize) (Used Before Code Date 05040400).
5	698404	Head-Cylinder			699054 Piston Assembly (.020" Oversize) (Used Before Code Date 05100300).	32	791118	Screw (Connecting Rod) (Used After Code Date 05040300).
7	★△699168	Gasket-Cylinder Head			----- Note -----			----- Note -----
9	★697109	Gasket-Breather			699473 Crankshaft Used on Type No(s) 0110.			692852 Screw (Connecting Rod) (Used Before Code Date 05040400).
10	697157	Screw (Breather Assembly)			792648 Ring Set (.020" Oversize) (Used After Code Date 05100200).			698370 Valve-Exhaust
11	697113	Tube-Breather			699051 Ring Set (Standard) (Used Before Code Date 05100300).	34	695761	Valve-Intake
12	★697110	Gasket-Crankcase			697558 Ring Set (.010" Oversize) (Used Before Code Date 05100300).	35	691279	Spring-Valve (Intake)
13	690360	Screw (Cylinder Head)	26	792506	697559 Ring Set (.020" Oversize) (Used Before Code Date 05100300).	36	691279	Spring-Valve (Exhaust)
15	690946	Plug-Oil Drain (Square Head)			697560 Ring Set (.030" Oversize) (Used Before Code Date 05100300).	37	697108	Guard-Flywheel
		----- Note -----				42	499586	Keeper-Valve
		691680 Plug-Oil Drain (Square Socket)				43	691968	Slinger-Governor/Oil
16	697516	Crankshaft				45	690564	Tappet-Valve
		----- Note -----				46	790400	Camshaft
		699473 Crankshaft Used on Type No(s) 0110.				50	699193	Manifold-Intake
20	★690947	Seal-Oil (PTO Side)				50A	695527	Manifold-Intake Used on Type No(s) 0169.
22	692125	Screw (Crankcase Cover/Sump)						51★△◆692137 Gasket-Intake
23	693556	Flywheel						53 690227 Stud (Carburetor)
		----- Note -----						54 691148 Screw (Intake Manifold)
		693557 Flywheel Used on Type No(s) 0169.						
24	222698	Key-Flywheel	27	698469	Lock-Piston Pin			
			28	697099	Pin-Piston (Standard)			

★ Included in Engine Gasket Set-Ref. No.358.

● Included in Carburetor Overhaul Kit-Ref. No. 121.

◆ Included in Carburetor Gasket Set-Ref. No. 977.

△ Included in Valve Gasket Set-Ref. No 1095.

Illustrations cover a range of engines. Parts shown without corresponding text may not be used on your specific engine.

31L700

REF. NO.	PART NO.	DESCRIPTION	REF. NO.	PART NO.	DESCRIPTION	REF. NO.	PART NO.	DESCRIPTION
73A	494439	Screen-Rotating Used on Type No(s). 0110, 0138.	146	691639	Key-Timing	268	691025	Casing-Control Wire (Cut To Required Length)
74	691674	Screw (Rotating Screen)	187	791766	Line-Fuel (Cut To Required Length)	269	691026	Wire-Control (Cut To Required Length)
78	691003	Screw (Flywheel Guard)	187B	791805	Line-Fuel (Formed) (10-1/4 Inches Long) (Cut to Required Length)	270	691027	Nut (Control Wire Casing)
81	691178	Lock-Muffler Screw				271	691028	Lever-Control
93	690602	Bushing-Throttle Shaft	188	691693	Screw (Control Bracket)	276	692255	Washer-Sealing
94	498030	Kit-Idle Mixture	192	691986	Adjuster-Rocker Arm	300	697349	Muffler Used on Type No(s). 0036, 0110, 0122, 0124.
95	691636	Screw (Throttle Valve)	202	691841	Link-Mechanical Governor	304	790009	Housing-Blower (Black)
98	495800	Kit-Idle Speed	209	692208	Spring-Governor Used on Type No(s). 0036, 0168, 0169, 0192.	305	697102	Screw (Blower Housing)
104	690525	Pin-Float Hinge				305A	697103	Screw (Blower Housing)
105	231855	Valve-Float Needle				306	697107	Shield-Cylinder
106	690577	Seat-Inlet (Gravity Feed) ----- Note ----- 691780 Seat-Inlet (Pump Feed)				307	691003	Screw (Cylinder Shield)
108	690464	Valve-Choke (Carburetor Part No. 697204)				309	693551	Motor-Starter
108A	692344	Valve-Choke (Carburetor Part Numbers 696179, 696181, 697202, 697203)				310	690323	Screw (Starter Motor)
117	694352	Jet-Main (Standard)	216	691840	Link-Choke	311	497608	Brush Set
118	697228	Jet-Main (High Altitude)	222	694042	Bracket-Control	333	492341	Armature-Magneto
121	697241	Kit-Carburetor Overhaul	227	691374	Lever-Governor Control	334	691061	Screw (Magneto Armature)
125	791888	Carburetor (Gravity Feed)(Use to replace pump and gravity feed Walbro carburetors)	232	691842	Spring-Governor Link	337	491055	Plug-Spark ----- Note ----- 691043 Plug-Spark Used on Type No(s). 0124, 0168.
127	695005	Plug-Welch	238	691843	Cap-Valve	344	693675	Screw (Cable Clamp)
130	691750	Valve-Throttle	239	697049	Switch-Oil Pressure Used on Type No(s). 0110.	356	697089	Wire-Stop
131	790901	Kit-Throttle Shaft	240	394358S	Filter-Fuel (White, 75 Microns) Used on Type No(s). 0124, 0157, 0168, 0169, 0192.	358	697191	Gasket Set-Engine
133	494381	Float-Carburetor				363	19203	Puller-Flywheel
137	281165	Gasket-Float Bowl	240B	695666	Filter-Fuel (Includes 30 Micron Paper Element) Used on Type No(s). 0036, 0110, 0122, 0123, 0138.	383	89838	Wrench-Spark Plug
141	495097	Kit-Choke Shaft (Carburetor Part No. 697204)				385	694476	Screw (Fuel Pump)
141A	495931	Kit-Choke Shaft (Carburetor Part Numbers 696179, 696181, 697202, 697203)	265	691024	Clamp-Casing	385A	690297	Screw (Fuel Pump)
142	697140	Nozzle-Carburetor (Standard)	267	690804	Screw (Casing Clamp) ----- Note ----- 695134 Screw (Casing Clamp) Used on Type No(s). 0192.	387	697090	Pump-Fuel Used on Type No(s). 0036, 0110, 0122, 0123, 0138.

★ Included in Engine Gasket Set-Ref. No.358.

● Included in Carburetor Overhaul Kit-Ref. No. 121.

◆ Included in Carburetor Gasket Set-Ref. No. 977.

△ Included in Valve Gasket Set-Ref. No 1095.

Illustrations cover a range of engines. Parts shown without corresponding text may not be used on your specific engine.

5070-9

Assemblies include all parts shown in frames.

12/21/2005

31L700

REF. NO.	PART NO.	DESCRIPTION	REF. NO.	PART NO.	DESCRIPTION	REF. NO.	PART NO.	DESCRIPTION
387A	808656	Pump-Fuel	510	693699	Drive-Starter	584	697112	Cover-Breather Passage
404	691691	Washer (Governor Crank)	513	692024	Clutch-Drive	601	791850	Clamp-Hose
415	690283	Plug (Engine Sump And Intake Manifold)	521	690581	Shield-Cable	601A	691038	Clamp-Hose
431	697122	Elbow-Intake	523	699908	Dipstick	613	691416	Screw (Muffler)
445	697153	Filter-Air Cleaner Cartridge (Washable)	524	★691032	Seal-Dipstick Tube			Used on Type No(s). 0036, 0110, 0122, 0123, 0138.
462	691261	Washer (Starter Cable)	525	697085	Tube-Dipstick Used on Type No(s). 0036, 0110, 0122, 0123, 0138.	613A	690297	Screw (Muffler)
474A	696459	Alternator (Dual Circuit) Used on Type No(s). 0169.			----- Note ----- 697184 Tube-Dipstick Used on Type No(s). 0124, 0157, 0168, 0169, 0192.			Used on Type No(s). 0036, 0110, 0122, 0124.
474B	696457	Alternator (Tri Circuit) Used on Type No(s). 0036, 0110, 0124, 0168, 0192.	526	697088	Screw (Regulator) Used on Type No(s). 0036, 0110, 0124, 0168, 0192.	614	691620	Pin-Cotter
474C	696458	Alternator (10 Amp Circuit) Used on Type No(s). 0122, 0123, 0138, 0157.			----- Note ----- 697348 Screw (Regulator) Used on Type No(s). 0110, 0122, 0123, 0138, 0157.	616	692012	Crank-Governor
480	693675	Screw (Tube Clamp)	527	698467	Clamp-Tube Used on Type No(s). 0192.	617	★692138	Seal-O Ring (Intake Manifold)
500	691086	Washer (Key Switch) Used on Type No(s). 0124.	544	692034	Armature-Starter	634	●690801	Spring/Seal Assembly (Carburetor Part Number 697204)
501	691185	Regulator Used on Type No(s). 0110, 0122, 0123, 0138, 0157.	552	697144	Bushing-Governor Crank	634A	●690802	Spring/Seal Assembly (Carburetor Part Numbers 696179, 696181, 697202, 697203)
		----- Note ----- 691188 Regulator Used on Type No(s). 0036, 0110, 0124, 0168, 0192.	559	697561	Screw (Remote Choke Stop)	635	691909	Boot-Spark Plug
503	691532	Strap-Starter	562	691119	Bolt (Governor Control Lever)	643	698401	Retainer-Air Filter
505	691251	Nut (Governor Control Lever)	578	692306	Wire Assembly	654	690958	Nut (Carburetor)
			579	691029	Nut (Starter Cable)	664	691087	Nut (Key Switch) Used on Type No(s). 0124.
						668A	691500	Spacer (Rotating Screen)

★ Included in Engine Gasket Set-Ref. No.358.

● Included in Carburetor Overhaul Kit-Ref. No. 121.

◆ Included in Carburetor Gasket Set-Ref. No. 977.

△ Included in Valve Gasket Set-Ref. No 1095.

Illustrations cover a range of engines. Parts shown without corresponding text may not be used on your specific engine.

5070-10

Assemblies include all parts shown in frames.

12/21/2005

31L700

REF. NO.	PART NO.	DESCRIPTION	REF. NO.	PART NO.	DESCRIPTION	REF. NO.	PART NO.	DESCRIPTION
676	393761	Deflector-Muffler	877B	393537	Wire/Connector-Alternator (Tri Circuit)	1024	499054	Pump-Oil
677	690661	Screw (Muffler Deflector)				1026	692003	Rod-Push (Intake)
691	★692407	Seal-Governor Shaft	877C	399916	Wire/Connector-Alternator (10 Amp Circuit)			----- Note -----
692	690572	Spring-Detent						692011 Rod-Push (Exhaust)
697	690372	Screw (Drive Cap)	878	398661	Harness-Alternator (Dual Circuit)	1027	696854	Filter-Oil
718	690959	Pin-Locating	878A	691955	Harness-Alternator (Tri Circuit)	1029	691751	Arm-Rocker
729	691335	Clip-Wire (Wire Saddle)				1034	690822	Guide-Push Rod
729A	691224	Clip-Wire (Aluminum Coated Steel)	883	★692236	Gasket-Exhaust	1035	693784	Shaft-Pump
741	697128	Gear-Timing	892	692318	Switch-Key	1036		Label-Emissions (Available from an Authorized Briggs & Stratton Service Dealer)
750	790832	Screw (Oil Pump Cover)	914	691108	Screw (Rocker Cover)			
757	697607	Link-Counterweight	918	791851	Hose-Vacuum Used on Type No(s). 0036.	1036A	698979	Label-Emissions Used on Type No(s). 0124.
758	697134	Counterweight	920	691656	Solenoid-Starter			
759	697392	Pin-Counterweight	943	★690589	Seal-O Ring (Oil Pump Cover)	1040A	698470	Plate-Trim
783	693713	Gear-Pinion				1044	698139	Screw (Flywheel)
789	692037	Harness-Wiring	947	694393	Solenoid-Fuel	1051	691265	Ring-Retaining
789A	698329	Harness-Wiring	949	697729	Guard-Debris Screen	1054	280275	Tie-Cable
797	693167	Nut (Brush Retainer)	950	691657	Screw-Float Bowl	1058	276344	Manual-Owner's
801	691283	Cap-Drive	958	698183	Valve-Fuel Shut Off (Plastic)	1059	698516	Kit-Screw/Washer
802	691286	Cap-End				1070	690372	Screw (Flywheel Fan)
803		Housing-Starter (Not Serviced Separately, Order Starter Motor 693551)	965	499613	Cover-Oil Pump	1090	691293	Retainer-Brush
			967	697015	Filter-Pre Cleaner	1091	691333	Cap-Limiter
			968	697574	Cover-Air Cleaner	1095	690190	Gasket Set-Valve
			975	495933	Bowl-Float	1119	691183	Screw (Alternator)
823	690363	Screw (Muffler Adapter)	977	690192	Gasket Set-Carburetor	1263	697124	Reed-Breather
830	691095	Stud-Rocker Arm	987	●691326	Seal-Throttle Shaft	1264	697104	Screw (Breather Reed)
842	★691031	Seal-O Ring (Dipstick Tube)	990	691959	Key Set	1265	697125	Support-Blower Housing
847	790443	Dipstick/Tube Assembly Used on Type No(s). 0036, 0110, 0122, 0123, 0138.	990	691959	Key Set	1266	★●691917	Seal-O Ring (Intake Elbow)
		----- Note -----	1005	697546	Fan-Flywheel	1266A	●697123	Seal-O Ring (Intake Elbow)
		790442 Dipstick/Tube Assembly Used on Type No(s). 0124, 0157, 0168, 0169, 0192.			----- Note -----	1267	697575	Latch-Blower Housing
851	692424	Terminal-Spark Plug			697111 Fan-Flywheel Used on Type No(s). 0110, 0138.	1270	697156	Plug-AVS Counterweight
864	697346	Adapter-Muffler	1017	690770	Screen-Oil Pump (Push In)	1279	691108	Screw (Blower Housing Support)
868	★Δ690968	Seal-Valve	1019	697595	Kit-Label	1330	272147	Repair Manual
877	393456	Wire/Connector-Alternator (Dual Circuit)	1022	★Δ272475	Gasket-Rocker Cover			
			1023	791079	Cover-Rocker (Used After Code Date 05013100).			
					----- Note -----			
					692492 Cover-Rocker (Used Before Code Date 05020100).			

★ Included in Engine Gasket Set-Ref. No.358.

● Included in Carburetor Overhaul Kit-Ref. No. 121.

◆ Included in Carburetor Gasket Set-Ref. No. 977.

Δ Included in Valve Gasket Set-Ref. No 1095.

Illustrations cover a range of engines. Parts shown without corresponding text may not be used on your specific engine.