



# 31H700

## Illustrated Parts List

### Model Series

# 31H700

TYPE NUMBERS  
0110 Through 0605.

### TABLE OF CONTENTS

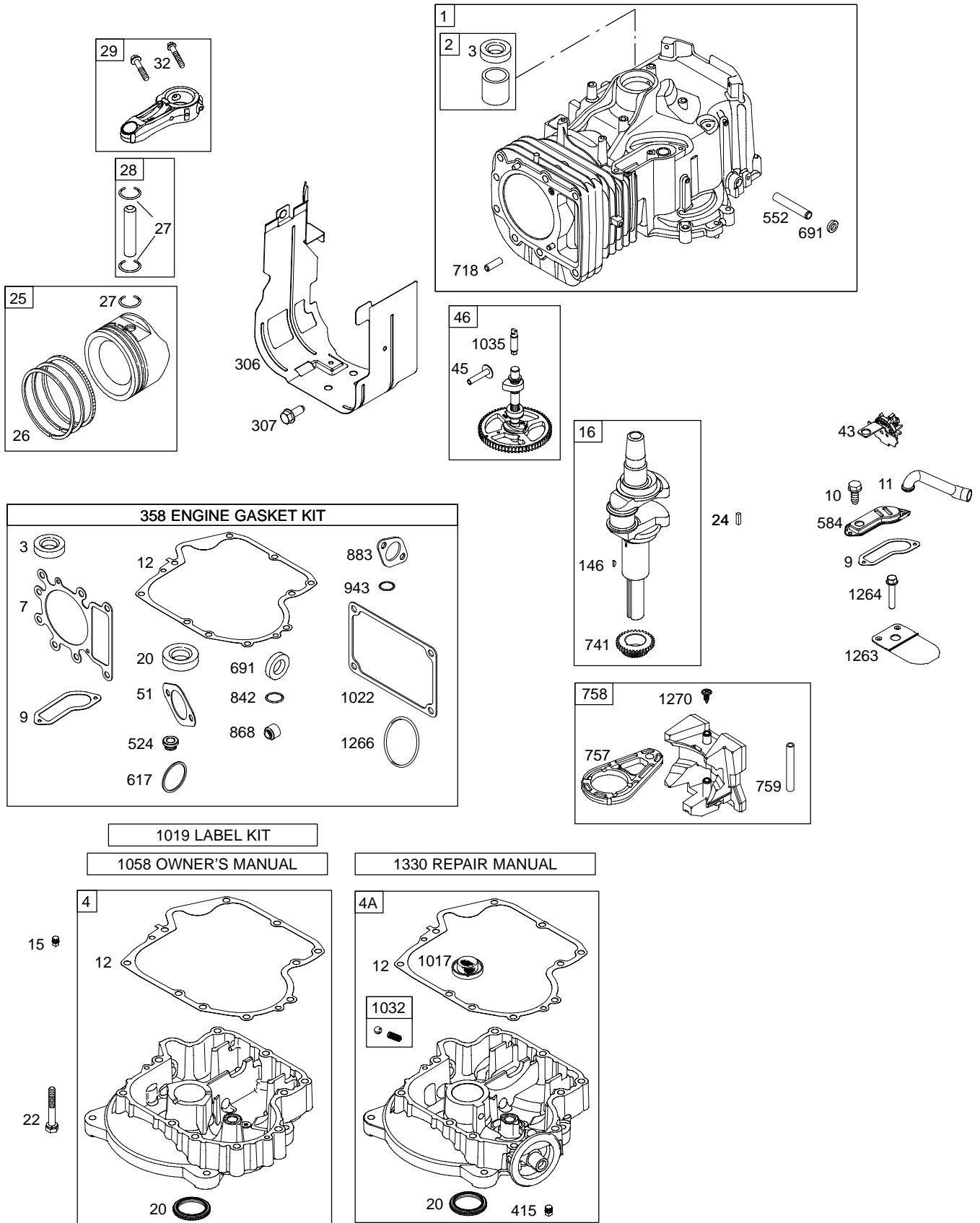
- Air Cleaner** ..... 7
- Alternator** ..... 7
- Blower Housing** ..... 5
- Camshaft** ..... 2
- Carburetor** ..... 4
- Controls** ..... 7
- Crankshaft** ..... 2
- Cylinder** ..... 2
- Cylinder Head** ..... 3
- Electric Starter** ..... 7
- Engine Sump** ..... 2
- Exhaust System** ..... 5
- Flywheel** ..... 6
- Fuel Supply** ..... 4
- Gasket Set - Engine** ..... 3
- Gasket Set - Valve** ..... 3
- Governor Spring** ..... 7
- Ignition** ..... 7
- Intake Manifold** ..... 3
- Kit - Carburetor Overhaul** ..... 4
- Lubrication** ..... 3
- Piston, Rings, Connecting Rod** ..... 2
- Valves** ..... 3



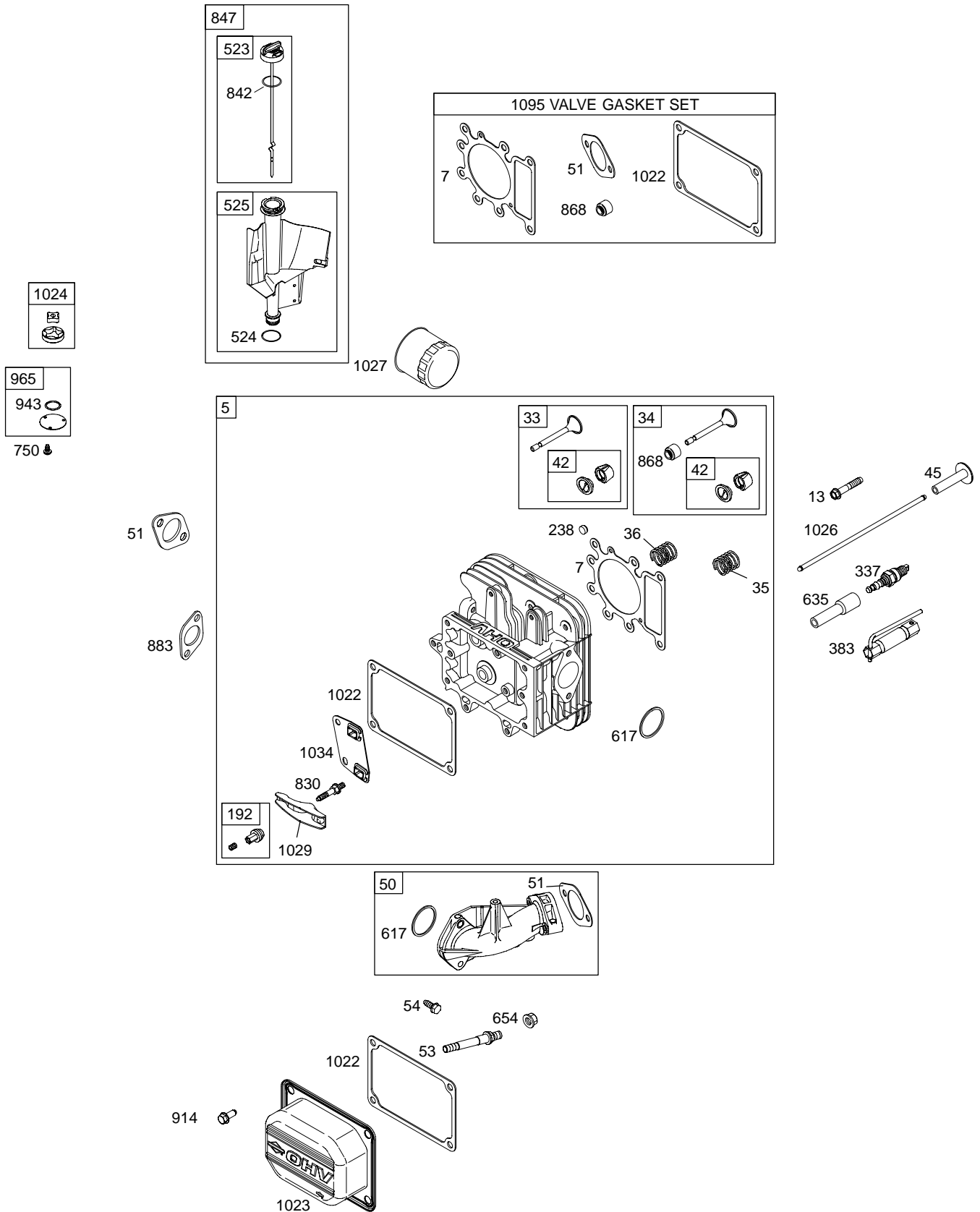
PRINTED IN U.S.A.

COPYRIGHT by BRIGGS & STRATTON CORPORATION  
All rights reserved. No part of this material may be reproduced or transmitted, in any form or by any means, electronic or mechanical, including photocopying, recording or by any information storage and retrieval system, without permission in writing from Briggs & Stratton Corporation.

# 31H700

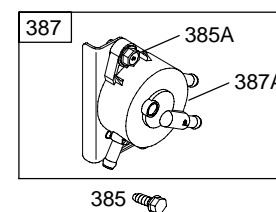
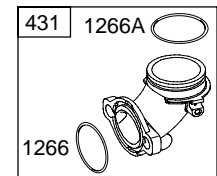
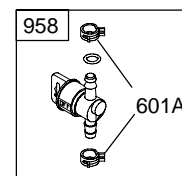
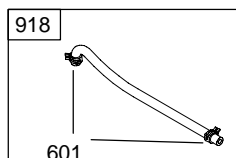
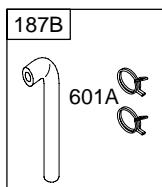
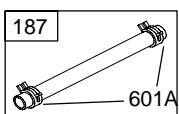
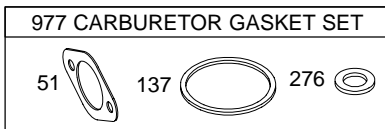
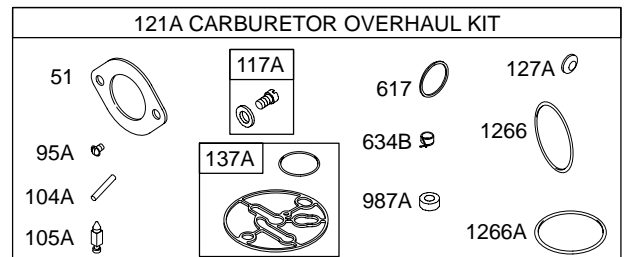
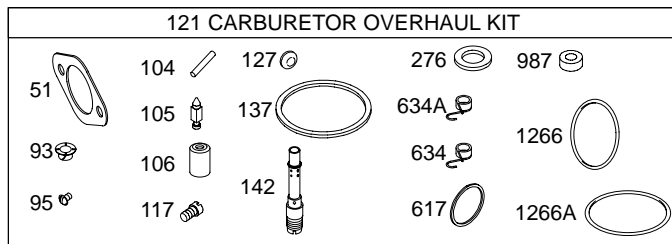
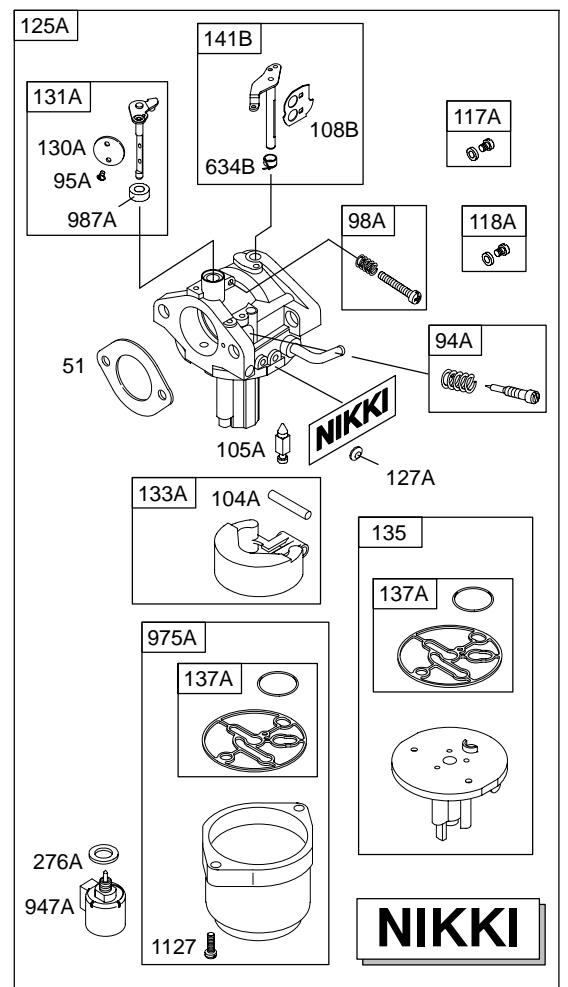
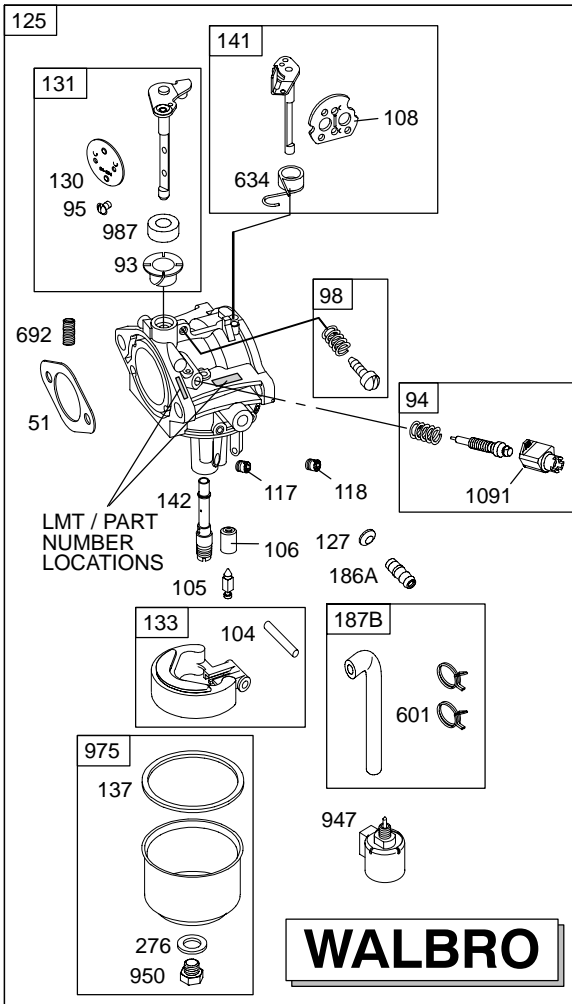
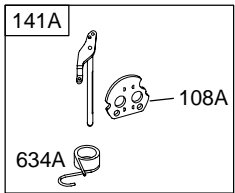


Illustrations cover a range of engines. Parts shown without corresponding text may not be used on your specific engine.  
 5174-2 Assemblies include all parts shown in frames. 08/03/2005

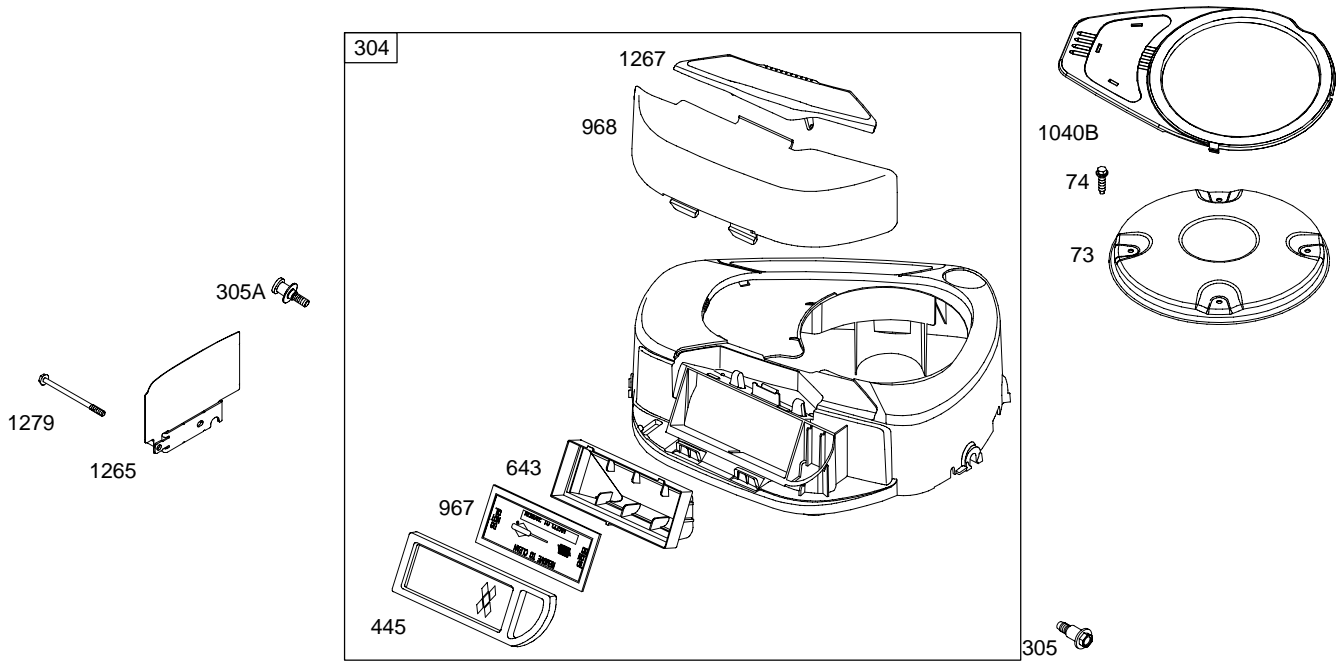


Illustrations cover a range of engines. Parts shown without corresponding text may not be used on your specific engine.  
 5174-3 Assemblies include all parts shown in frames. 08/03/2005

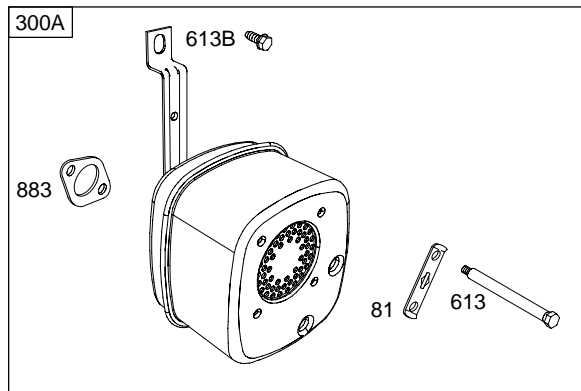
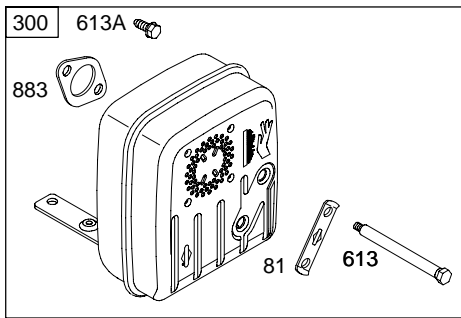
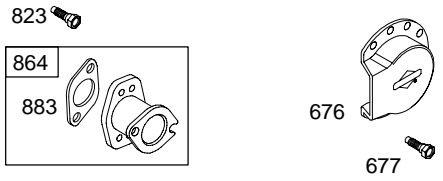
# 31H700



Illustrations cover a range of engines. Parts shown without corresponding text may not be used on your specific engine.  
 5174-4 Assemblies include all parts shown in frames. 08/03/2005



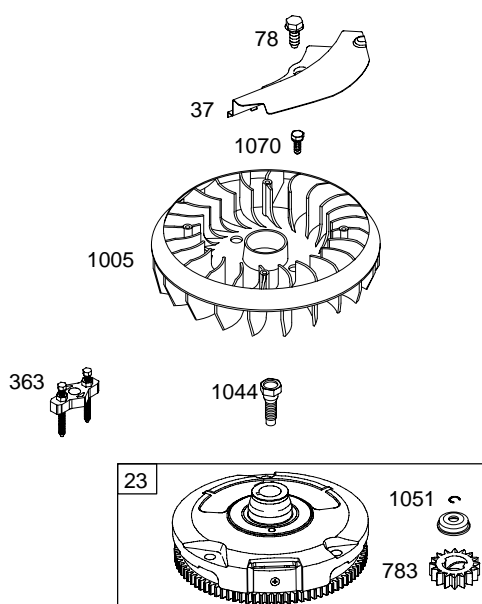
1036 EMISSION LABEL



Illustrations cover a range of engines. Parts shown without corresponding text may not be used on your specific engine.  
 5174-5 Assemblies include all parts shown in frames. 08/03/2005

# 31H700

---



*Illustrations cover a range of engines. Parts shown without corresponding text may not be used on your specific engine.*

5174-6

Assemblies include all parts shown in frames.

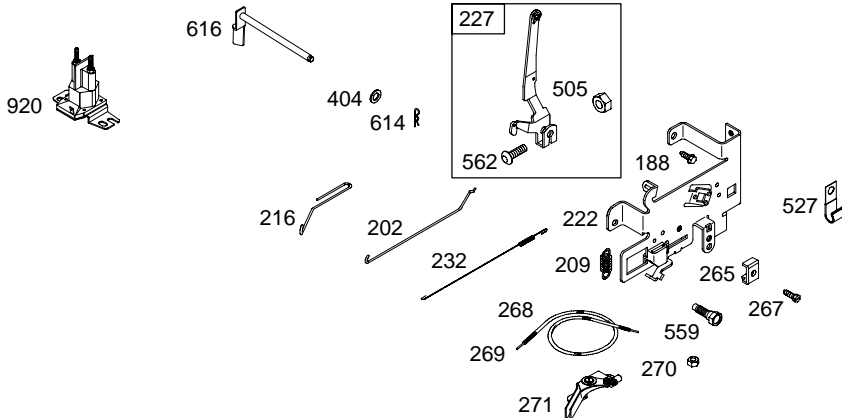
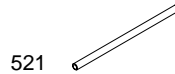
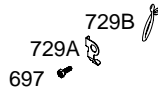
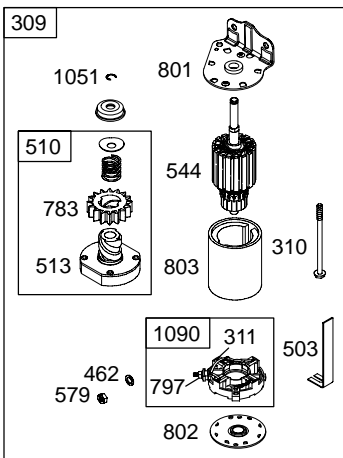
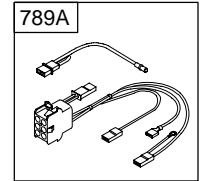
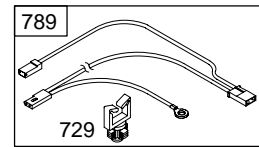
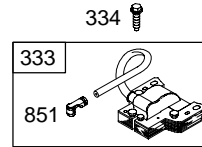
08/03/2005

DUAL CIRCUIT		TRI CIRCUIT		10 AMP	
474A	1059	474B	1059	474C	1059
877		877B		877C	
878		878A		578	



**NOTE:** All stators use a No. 1119 mounting screw.

**NOTE:** The proper flywheel part number and/or the alternator magnet size will determine the alternator type or output. See repair instruction manual for additional information.



Illustrations cover a range of engines. Parts shown without corresponding text may not be used on your specific engine.  
 5174-7 Assemblies include all parts shown in frames. 08/03/2005

# 31H700

REF. NO.	PART NO.	DESCRIPTION	REF. NO.	PART NO.	DESCRIPTION	REF. NO.	PART NO.	DESCRIPTION
*								
1	697174	Cylinder Assembly	23	693557	Flywheel Used on Type No(s). 0177, 0202, 0210, 0212, 0228, 0235, 0297, 0605.	27	698469	Lock-Piston Pin
2	399265	Kit-Bushing/Seal (Magneto Side)				28	697099	Pin-Piston (Standard)
3	*391086	Seal-Oil (Magneto Side)				29	697126	Rod-Connecting (Standard)
4	697106	Sump-Engine Used on Type No(s). 0212.			----- <b>Note</b> -----			----- <b>Note</b> -----
4A	697188	Sump-Engine Used on Type No(s). 0110, 0112, 0113, 0114, 0115, 0117, 0118, 0119, 0120, 0168, 0177, 0202, 0210, 0228, 0235, 0297, 0605.			<b>790835</b> Flywheel Used on Type No(s). 0114.			<b>697263</b> Rod- Connecting (.020" Undersize)
5	698147	Head-Cylinder			<b>693556</b> Flywheel Used on Type No(s). 0110, 0112, 0113, 0115, 0117, 0119, 0120, 0168.			<b>791632</b> Rod- Connecting (Standard) (Used After Code Date 05040300).
7	*Δ699168	Gasket-Cylinder Head	24	222698	Key-Flywheel			Used on Type No(s). 0113, 0115, 0117, 0118, 0119, 0120.
9	*697109	Gasket-Breather	25	699052	Piston Assembly (Standard)			<b>697518</b> Rod- Connecting (Standard) (Used Before Code Date 05040400).
10	697157	Screw (Breather Assembly)			----- <b>Note</b> -----			<b>697518</b> Rod- Connecting (Standard) (Used Before Code Date 05040400).
11	697113	Tube-Breather			<b>699053</b> Piston Assembly (.010" Oversize) (Used After Code Date 02092900)			Used on Type No(s). 0113, 0115, 0117, 0118, 0119, 0120.
12	*697110	Gasket-Crankcase (.015" Thick)(Standard)			<b>697555</b> Piston Assembly (.010" Oversize) (Used Before Code Date 02093000)			<b>697264</b> Rod- Connecting (.020" Undersize) (Used Before Code Date 05040400).
13	690360	Screw (Cylinder Head)			<b>699054</b> Piston Assembly (.020" Oversize) <b>699055</b> Piston Assembly (.030" Oversize) (Used After Code Date 02093000)			Used on Type No(s). 0113, 0115, 0117, 0118, 0119, 0120.
15	690946	Plug-Oil Drain (Square Head) ----- <b>Note</b> -----			<b>697557</b> Piston Assembly (.030" Oversize) (Used Before Code Date 02093000)			<b>697264</b> Rod- Connecting (.020" Undersize) (Used Before Code Date 05040400).
		<b>691680</b> Plug-Oil Drain (Square Socket)						Used on Type No(s). 0113, 0115, 0117, 0118, 0119, 0120.
16	697127	Crankshaft Used on Type No(s). 0110, 0112, 0114, 0168, 0177, 0202, 0210, 0212, 0228, 0235, 0297, 0605. ----- <b>Note</b> -----			<b>697557</b> Piston Assembly (.030" Oversize) (Used Before Code Date 02093000)	32	791118	Screw (Connecting Rod) (Used After Code Date 05040300).
		<b>697516</b> Crankshaft Used on Type No(s). 0113, 0115, 0117, 0118, 0119, 0120.						----- <b>Note</b> -----
			26	699051	Ring Set (Standard)			<b>692852</b> Screw (Connecting Rod) (Used Before Code Date 05040400).
20	*690947	Seal-Oil (PTO Side)			----- <b>Note</b> -----	33	695760	Valve-Exhaust
22	692125	Screw (Crankcase Cover/Sump)			<b>697558</b> Ring Set (.010" Oversize) <b>697559</b> Ring Set (.020" Oversize) <b>697560</b> Ring Set (.030" Oversize)	34	695761	Valve-Intake
						35	691279	Spring-Valve (Intake)
						36	691279	Spring-Valve (Exhaust)

\* Included in Engine Gasket Set-Ref. No.358.

● Included in Carburetor Overhaul Kit-Ref. No. 121 or 121A.

◆ Included in Carburetor Gasket Set-Ref. No. 977.

Δ Included in Valve Gasket Set-Ref. No 1095.

**Illustrations cover a range of engines. Parts shown without corresponding text may not be used on your specific engine.**



**31H700**

REF. NO.	PART NO.	DESCRIPTION	REF. NO.	PART NO.	DESCRIPTION	REF. NO.	PART NO.	DESCRIPTION
37	697108	Guard-Flywheel	125	698445	Carburetor (697204)(Gravity Feed)(Use to replace pump and gravity feed carburetors)	187B	791805	Line-Fuel (Formed)(10-1/4 Inches Long)(Cut to Required Length) (Used After Code Date 05063000).
42	499586	Keeper-Valve						----- <b>Note</b> -----
43	691968	Slinger-Governor/Oil	125A	791858	Carburetor (Nikki)(Gravity Feed) Used on Type No(s). 0202, 0228, 0297.			<b>699331</b> Line-Fuel (Formed)(10-1/4 Inches Long)(Cut to Required Length) (Used Before Code Date 05070100).
45	690564	Tappet-Valve						
46	790400	Camshaft	127	695005	Plug-Welch (5/16" Diameter)	188	691693	Screw (Control Bracket)
50	690193	Manifold-Intake	127A	690727	Plug-Welch	192	691986	Adjuster-Rocker Arm
51★△◆	692137	Gasket-Intake	130	691750	Valve-Throttle	202	691841	Link-Mechanical Governor
53	690227	Stud (Carburetor)	130A	699500	Valve-Throttle	209	692208	Spring-Governor ----- <b>Note</b> -----
54	691148	Screw	131	494379	Kit-Throttle Shaft			<b>260902</b> Spring-Governor Used on Type No(s). 0120.
74	697897	Screw (Rotating Screen)	131A	699501	Kit-Throttle Shaft			<b>690480</b> Spring-Governor Used on Type No(s). 0113, 0114.
78	691003	Screw (Flywheel Guard)	133	494381	Float-Carburetor	216	691840	Link-Choke
81	691178	Lock-Muffler Screw	133A	694914	Float-Carburetor	222	694042	Bracket-Control
93	690602	Bushing-Throttle Shaft	135	698780	Tube-Fuel Transfer	227	691374	Lever-Governor Control
94	498030	Kit-Idle Mixture	137	281165	Gasket-Float Bowl	232	691842	Spring-Governor Link
94A	695425	Kit-Idle Mixture	137A	698781	Gasket-Float Bowl	238	691843	Cap-Valve
95	691636	Screw (Throttle Valve)	141	495097	Kit-Choke Shaft (697204)	240	394358	Filter-Fuel (White, 75 Microns) Used on Type No(s). 0112, 0114, 0119, 0168, 0177, 0202, 0210, 0212, 0228, 0235, 0297.
95A	690718	Screw (Throttle Valve)	141A	495931	Kit-Choke Shaft (696179, 696181, 697202, 697203)	240B	691035	Filter-Fuel (Includes Paper Element With A 40 Micron Rating) Used on Type No(s). 0110, 0113, 0115, 0117, 0118, 0120.
98	495800	Kit-Idle Speed	141B	698778	Kit-Choke Shaft			
98A	695408	Kit-Idle Speed	142	697140	Nozzle-Carburetor (Standard)			
104	690525	Pin-Float Hinge	146	691639	Key-Timing			
104A	694918	Pin-Float Hinge						
105	231855	Valve-Float Needle						
105A	696136	Valve-Float Needle						
106	690577	Seat-Inlet (Gravity Feed)						
		----- <b>Note</b> -----						
		◆691780 Seat-Inlet (Pump Feed)						
108	690464	Valve-Choke (697204)						
108A	692344	Valve-Choke (696179, 696181, 697202, 697203)						
108B	695419	Valve-Choke						
117	694352	Jet-Main (Standard)						
117A	699457	Jet-Main (Standard)						
118	697228	Jet-Main (High Altitude)						
118A	699458	Jet-Main (High Altitude)						
121	697241	Kit-Carburetor Overhaul (Walbro)						
121A	699521	Kit-Carburetor Overhaul (Nikki)						

★ Included in Engine Gasket Set-Ref. No.358.

● Included in Carburetor Overhaul Kit-Ref. No. 121 or 121A.

◆ Included in Carburetor Gasket Set-Ref. No. 977.

△ Included in Valve Gasket Set-Ref. No 1095.

*Illustrations cover a range of engines. Parts shown without corresponding text may not be used on your specific engine.*

# 31H700

REF. NO.	PART NO.	DESCRIPTION	REF. NO.	PART NO.	DESCRIPTION	REF. NO.	PART NO.	DESCRIPTION
265	691024	Clamp-Casing	311	497608	Brush Set	462	691261	Washer
267	695134	Screw (Casing Clamp) Used on Type No(s). 0112, 0118, 0168, 0177, 0202, 0228, 0297, 0605.	333	492341	Armature-Magneto			(Starter Cable)
		----- <b>Note</b> -----	334	691061	Screw (Magneto Armature)	474A	696459	Alternator (Dual Circuit)
		690804 Screw (Casing Clamp) Used on Type No(s). 0110, 0113, 0114, 0115, 0117, 0119.	337	491055	Plug-Spark Used on Type No(s). 0110, 0112, 0114, 0168, 0210, 0212, 0235, 0605.			Used on Type No(s). 0177, 0202, 0210, 0212, 0228, 0235, 0297, 0605.
268	691025	Casing-Control Wire (Cut To Required Length)			----- <b>Note</b> -----	474B	696457	Alternator (Tri Circuit) Used on Type No(s). 0112, 0114, 0119.
269	691026	Wire-Control (Cut To Required Length)	344	693675	Screw (Cable Clamp) Used on Type No(s). 0113, 0115, 0118, 0202, 0210, 0212, 0228, 0297, 0605.	474C	696458	Alternator (10 Amp Circuit) Used on Type No(s). 0110, 0113, 0115, 0117, 0118, 0120, 0168.
270	691027	Nut (Control Wire Casing)	356	697089	Wire-Stop	501	691185	Regulator Used on Type No(s). 0110, 0113, 0115, 0117, 0118, 0120, 0168.
271	691028	Lever-Control	358	697191	Gasket Set-Engine			----- <b>Note</b> -----
276	692255	Washer-Sealing	363	19203	Puller-Flywheel			691188 Regulator Used on Type No(s). 0112, 0114, 0119.
276A	695410	Washer-Sealing	383	89838	Wrench-Spark Plug	503	691532	Strap-Starter
300	697349	Muffler Used on Type No(s). 0110, 0114.	385	694476	Screw (Fuel Pump)	505	691251	Nut (Governor Control Lever)
300A	698356	Muffler Used on Type No(s). 0112.	385A	690297	Screw (Fuel Pump)	510	693699	Drive-Starter
304	790929	Housing-Blower (Red) Used on Type No(s). 0202, 0210, 0212, 0228, 0235, 0297.	387	697090	Pump-Fuel (Includes Mounting Bracket) Used on Type No(s). 0110, 0113, 0115, 0117, 0118, 0120.	513	692024	Clutch-Drive
		----- <b>Note</b> -----	387A	808656	Pump-Fuel Used on Type No(s). 0110, 0113, 0115, 0117, 0118, 0120.	521	690581	Shield-Cable Used on Type No(s). 0210.
		698599 Housing- Blower (Black) Used on Type No(s). 0110, 0112, 0113, 0114, 0115, 0117, 0118, 0119, 0120, 0168, 0177, 0605.	404	691691	Washer (Governor Crank)	510	693699	Drive-Starter
305	697102	Screw (Blower Housing)	415	690283	Plug (Sump)			----- <b>Note</b> -----
305A	697103	Screw (Blower Housing)	431	697122	Elbow-Intake			697153 Filter-Air Cleaner Cartridge (Washable) Used on Type No(s). 0202.
306	697107	Shield-Cylinder	445	698083	Filter-Air Cleaner Cartridge (Non Washable)			
307	691003	Screw (Cylinder Shield)			----- <b>Note</b> -----			
309	693551	Motor-Starter			697153 Filter-Air Cleaner Cartridge (Washable) Used on Type No(s). 0202.			
310	690323	Screw (Starter Motor)						

★ Included in Engine Gasket Set-Ref. No.358.

● Included in Carburetor Overhaul Kit-Ref. No. 121 or 121A.

◆ Included in Carburetor Gasket Set-Ref. No. 977.

△ Included in Valve Gasket Set-Ref. No 1095.

**Illustrations cover a range of engines. Parts shown without corresponding text may not be used on your specific engine.**

5174-10

Assemblies include all parts shown in frames.

08/03/2005

**31H700**

REF. NO.	PART NO.	DESCRIPTION	REF. NO.	PART NO.	DESCRIPTION	REF. NO.	PART NO.	DESCRIPTION
513	692024	Clutch-Drive	579	691029	Nut (Starter Cable)	757	697607	Link-Counterweight
521	690581	Shield-Cable Used on Type No(s). 0210.	584	697112	Cover-Breather Passage	758	697134	Counterweight
523	699908	Dipstick	601	791850	Clamp-Hose (Used After Code Date 05063000).	759	697392	Pin-Counterweight
524	★691032	Seal-Dipstick Tube			----- Note -----	783	693713	Gear-Pinion
525	697184	Tube-Dipstick Used on Type No(s). 0112, 0114, 0119, 0168, 0177, 0202, 0210, 0212, 0228, 0235, 0297, 0605.			95162 Clamp-Hose (Used Before Code Date 05070100).	789	692037	Harness-Wiring Used on Type No(s). 0168, 0177, 0210, 0212.
		----- Note -----	601A	691038	Clamp-Hose	789A	698329	Harness-Wiring Used on Type No(s). 0110, 0112, 0113, 0114, 0115, 0117, 0118, 0119, 0120, 0202, 0228, 0235, 0297, 0605.
		697085 Tube-Dipstick Used on Type No(s). 0110, 0113, 0115, 0117, 0118, 0120.	613	691416	Screw (Muffler)	797	693167	Nut (Brush Retainer)
526	697348	Screw (Regulator) Used on Type No(s). 0110, 0113, 0115, 0117, 0118, 0120, 0168.	613A	690297	Screw (Muffler)	801	691283	Cap-Drive
		----- Note -----	613B	691678	Screw (Muffler)	802	691286	Cap-End
		697088 Screw (Regulator) Used on Type No(s). 0112, 0114, 0119.	614	691620	Pin-Cotter	803		Housing-Starter (Not Serviced Separately, Order Starter Motor 693551)
527	698467	Clamp-Tube (Fuel Line) Used on Type No(s). 0202, 0228, 0297, 0605.	616	692012	Crank-Governor	823	698941	Screw (Muffler Adapter)
544	692034	Armature-Starter	617	★692138	Seal-O Ring (Intake Manifold)	830	691095	Stud-Rocker Arm
552	697144	Bushing-Governor Crank	634	●690801	Spring/Seal Assembly (697204)	842	★691031	Seal-O Ring (Dipstick Tube)
559	697561	Screw (Remote Choke Stop) Used on Type No(s). 0113, 0115, 0210, 0212.	634A	●690802	Spring/Seal Assembly (696179, 696181, 697202, 697203)	847	790442	Dipstick/Tube Assembly Used on Type No(s). 0112, 0114, 0119, 0168, 0177, 0202, 0210, 0212, 0228, 0235, 0297, 0605.
		----- Note -----	634B	●698779	Spring/Seal Assembly			----- Note -----
		699891 Screw (Remote Choke Stop) Used on Type No(s). 0118.	635	691909	Boot-Spark Plug			790443 Dipstick/Tube Assembly Used on Type No(s). 0110, 0113, 0115, 0117, 0118, 0120.
562	691119	Bolt (Governor Control Lever)	643	698401	Retainer-Air Filter	851	692424	Terminal-Spark Plug
578	692306	Wire Assembly Used on Type No(s). 0110, 0113, 0115, 0117, 0118, 0120, 0168.	654	690958	Nut (Carburetor)	864	697346	Adapter-Muffler
			676	393761	Deflector-Muffler Used on Type No(s). 0110, 0112, 0114.	868	★△690968	Seal-Valve
			677	690661	Screw (Muffler Deflector)	877	393456	Wire/Connector- Alternator (Dual Circuit) Used on Type No(s). 0177, 0202, 0210, 0212, 0228, 0235, 0297, 0605.
			691	★692407	Seal-Governor Shaft			
			692	690572	Spring-Detent			
			697	690372	Screw (Drive Cap)			
			718	690959	Pin-Locating			
			729	691335	Clip-Wire (Wire Saddle)			
			729A	691224	Clip-Wire (Aluminum Coated Steel)			
			729B	694123	Clip-Wire (Nylon)			
			741	697128	Gear-Timing			
			750	790832	Screw (Oil Pump Cover)			

★ Included in Engine Gasket Set-Ref. No.358.

● Included in Carburetor Overhaul Kit-Ref. No. 121 or 121A.

◆ Included in Carburetor Gasket Set-Ref. No. 977.

△ Included in Valve Gasket Set-Ref. No 1095.

**Illustrations cover a range of engines. Parts shown without corresponding text may not be used on your specific engine.**

# 31H700

REF. NO.	PART NO.	DESCRIPTION	REF. NO.	PART NO.	DESCRIPTION	REF. NO.	PART NO.	DESCRIPTION
877B	393537	Wire/Connector–Alternator (Tri Circuit) Used on Type No(s). 0112, 0114, 0119.	965	499613	Cover–Oil Pump Used on Type No(s). 0110, 0112, 0113, 0114, 0115, 0168, 0202, 0210, 0228, 0235, 0297, 0605.	1024	499054	Pump–Oil Used on Type No(s). 0110, 0112, 0113, 0114, 0115, 0117, 0119, 0168, 0177, 0202, 0210, 0228, 0235, 0297, 0605.
877C	399916	Wire/Connector–Alternator (10 Amp Circuit) Used on Type No(s). 0110, 0113, 0115, 0117, 0118, 0120, 0168.	967	697015	Filter–Pre Cleaner	1026	692003	Rod–Push (Intake) ----- <b>Note</b> ----- <b>692011</b> Rod–Push (Exhaust)
878	691237	Harness–Alternator (Alternator to Regulator) Used on Type No(s). 0177, 0202, 0210, 0212, 0228, 0235, 0297, 0605.	968	697446	Cover–Air Cleaner (Red) Used on Type No(s). 0202, 0210, 0212, 0228, 0235. ----- <b>Note</b> ----- <b>698403</b> Cover–Air Cleaner (Black) Used on Type No(s). 0110, 0112, 0113, 0114, 0115, 0117, 0118, 0119, 0120, 0168, 0177, 0605.	1027	492932	Filter–Oil Used on Type No(s). 0110, 0112, 0113, 0114, 0115, 0117, 0119, 0168, 0177, 0210, 0228, 0235, 0297, 0605. ----- <b>Note</b> ----- <b>696854</b> Filter–Oil Used on Type No(s). 0202.
878A	691955	Harness–Alternator (Alternator to Regulator) Used on Type No(s). 0112, 0114, 0119.	975	495933	Bowl–Float	1029	691751	Arm–Rocker
883	★692236	Gasket–Exhaust	975A	699502	Bowl–Float	1032	491710	Ball–Oil Pump
914	691108	Screw (Rocker Cover)	977	690192	Gasket Set–Carburetor	1034	690822	Guide–Push Rod
918	791851	Hose–Vacuum Used on Type No(s). 0110, 0115. (Used After Code Date 05063000). ----- <b>Note</b> ----- <b>697091</b> Hose–Vacuum Used on Type No(s). 0110, 0115. (Used Before Code Date 05070100).	987	●691326	Seal–Throttle Shaft	1035	693784	Shaft–Pump
920	691656	Solenoid–Starter Used on Type No(s). 0114.	987A	●698777	Seal–Throttle Shaft	1036		Label–Emission (Available from an Authorized Briggs & Stratton Service Dealer)
943	★690589	Seal–O Ring (Oil Pump Cover)	1005	697111	Fan–Flywheel	1036A	698979	Label–Emissions Used on Type No(s). 0114.
947	694393	Solenoid–Fuel	1017	690770	Screen–Oil Pump	1040B	699852	Plate–Trim Used on Type No(s). 0117, 0118, 0119, 0120, 0177, 0297, 0605.
947A	695423	Solenoid–Fuel	1019	699196	Kit–Label ----- <b>Note</b> ----- <b>790907</b> Kit–Label (18.0 HP INTEK Label) Used on Type No(s). 0117, 0118, 0119, 0120, 0235.	1044	698139	Screw (Flywheel)
950	691657	Screw–Float Bowl	1022	★△272475	Gasket–Rocker Cover	1051	691265	Ring–Retaining
958	698183	Valve–Fuel Shut Off (Plastic) Used on Type No(s). 0114.	1023	791079	Cover–Rocker (Used After Code Date 05013100). ----- <b>Note</b> ----- <b>692492</b> Cover–Rocker (Used Before Code Date 05020100).	1054	280275	Tie–Cable
						1058	276344	Manual–Owner’s
						1059	698516	Kit–Screw/Washer
						1070	690372	Screw (Flywheel Fan)

★ Included in Engine Gasket Set–Ref. No.358.

● Included in Carburetor Overhaul Kit–Ref. No. 121 or 121A.

◆ Included in Carburetor Gasket Set–Ref. No. 977.

△ Included in Valve Gasket Set–Ref. No 1095.

**Illustrations cover a range of engines. Parts shown without corresponding text may not be used on your specific engine.**

**31H700**

REF. NO.	PART NO.	DESCRIPTION	REF. NO.	PART NO.	DESCRIPTION	REF. NO.	PART NO.	DESCRIPTION
1090	691293	Retainer-Brush	1267	697662	Latch-Blower Housing (Red)	1270	697156	Plug-AVS Counterweight
1091	691333	Cap-Limiter			Used on Type No(s). 0202, 0210, 0212, 0228, 0235.	1279	691108	Screw (Blower Housing Support)
1095	690190	Gasket Set-Valve			----- <b>Note</b> -----	1330	272147	Repair Manual
1119	691183	Screw (Alternator)			<b>697135</b> Latch-Blower Housing (Black)			
1127	695407	Screw (Float Bowl)			Used on Type No(s). 0110, 0112, 0113, 0114, 0115, 0168, 0177.			
1263	697124	Reed-Breather			<b>697419</b> Latch-Blower Housing (Black)			
1264	697104	Screw (Breather Reed)			Used on Type No(s). 0117, 0118, 0119, 0120, 0605.			
1265	697125	Support-Blower Housing			<b>697424</b> Latch-Blower Housing (Red)			
1266	★●691917	Seal-O Ring (Intake Elbow)			Used on Type No(s). 0297.			
1266A	●697123	Seal-O Ring (Intake Elbow)						

★ Included in Engine Gasket Set-Ref. No.358.

● Included in Carburetor Overhaul Kit-Ref. No. 121 or 121A.

◆ Included in Carburetor Gasket Set-Ref. No. 977.

△ Included in Valve Gasket Set-Ref. No 1095.

*Illustrations cover a range of engines. Parts shown without corresponding text may not be used on your specific engine.*

5174-13

Assemblies include all parts shown in frames.

08/03/2005