



31F700

Illustrated Parts List

Model Series

31F700

TYPE NUMBERS
0110 through 0403.

TABLE OF CONTENTS

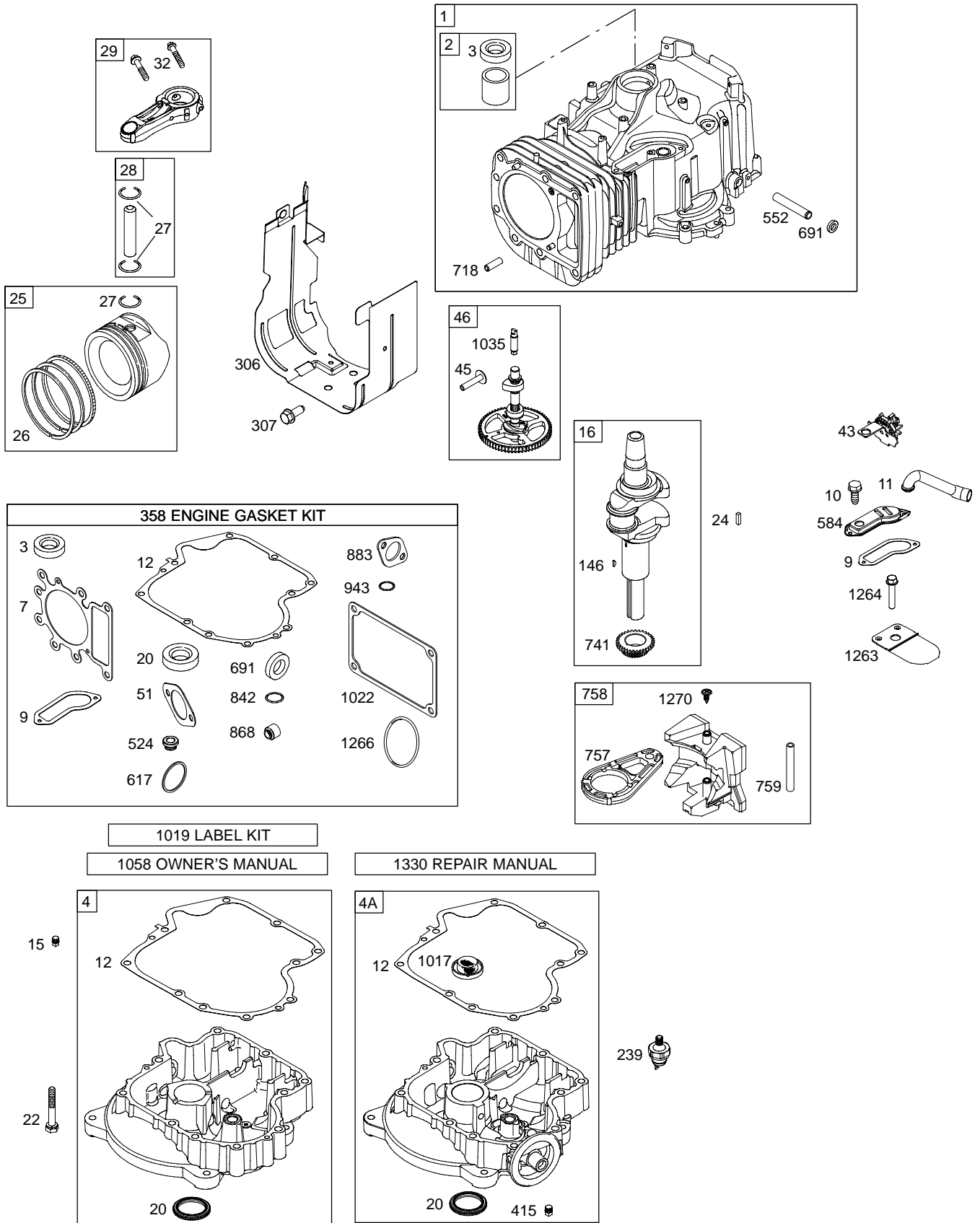
- Air Cleaner** 5
- Alternator** 7
- Blower Housing** 5
- Camshaft** 2
- Carburetor** 4
- Controls** 7
- Crankshaft** 2
- Cylinder** 2
- Cylinder Head** 3
- Electric Starter** 7
- Engine Sump** 2
- Exhaust System** 5
- Flywheel** 6
- Fuel Supply** 4
- Gasket Set - Engine** 2
- Gasket Set - Valve** 3
- Governor Spring** 7
- Ignition** 7
- Intake Manifold** 3
- Kit - Carburetor Overhaul** 4
- Lubrication** 3
- Piston, Rings, Connecting Rod** 2
- Rewind Starter** 6
- Valves** 3

PRINTED IN U.S.A.

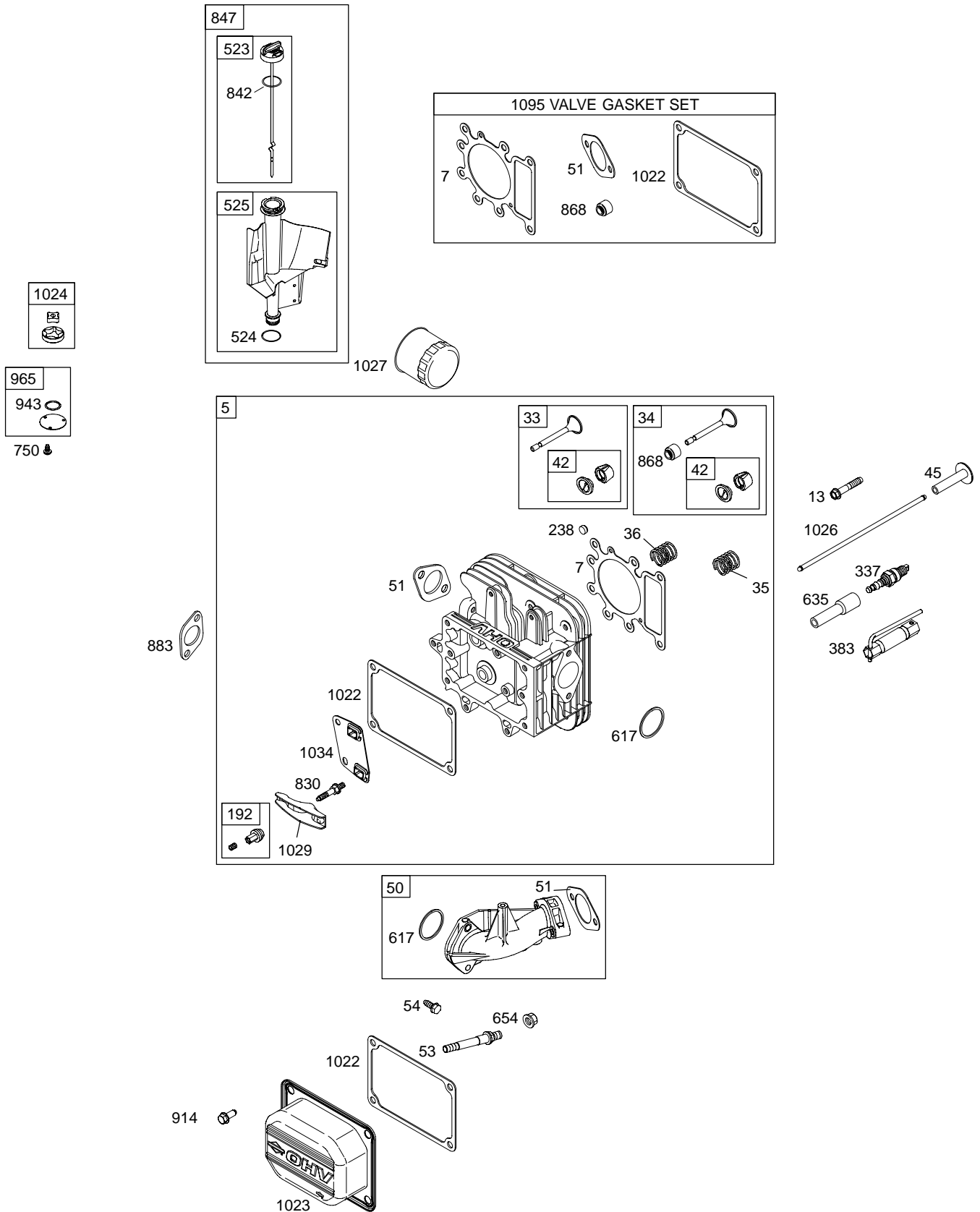


COPYRIGHT by BRIGGS & STRATTON CORPORATION
All rights reserved. No part of this material may be reproduced or transmitted, in any form or by any means, electronic or mechanical, including photocopying, recording or by any information storage and retrieval system, without permission in writing from Briggs & Stratton Corporation.

31F700

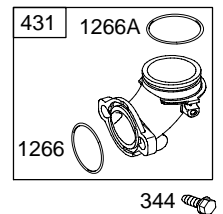
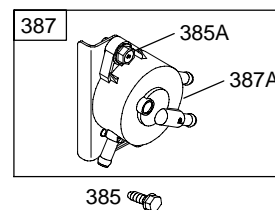
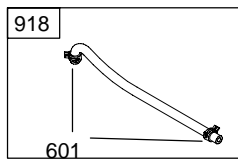
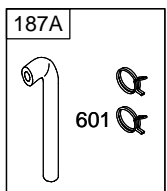
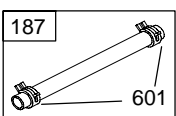
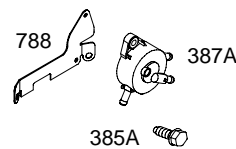
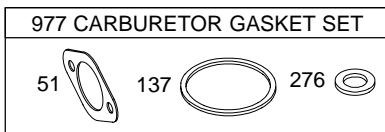
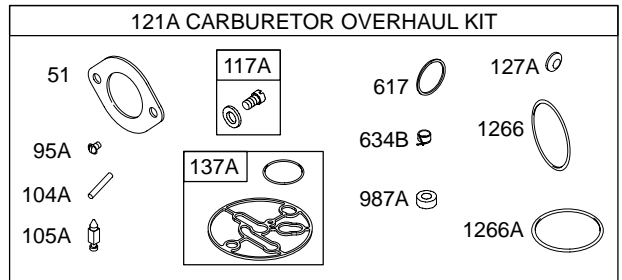
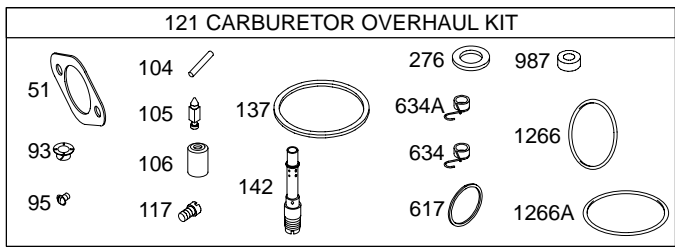
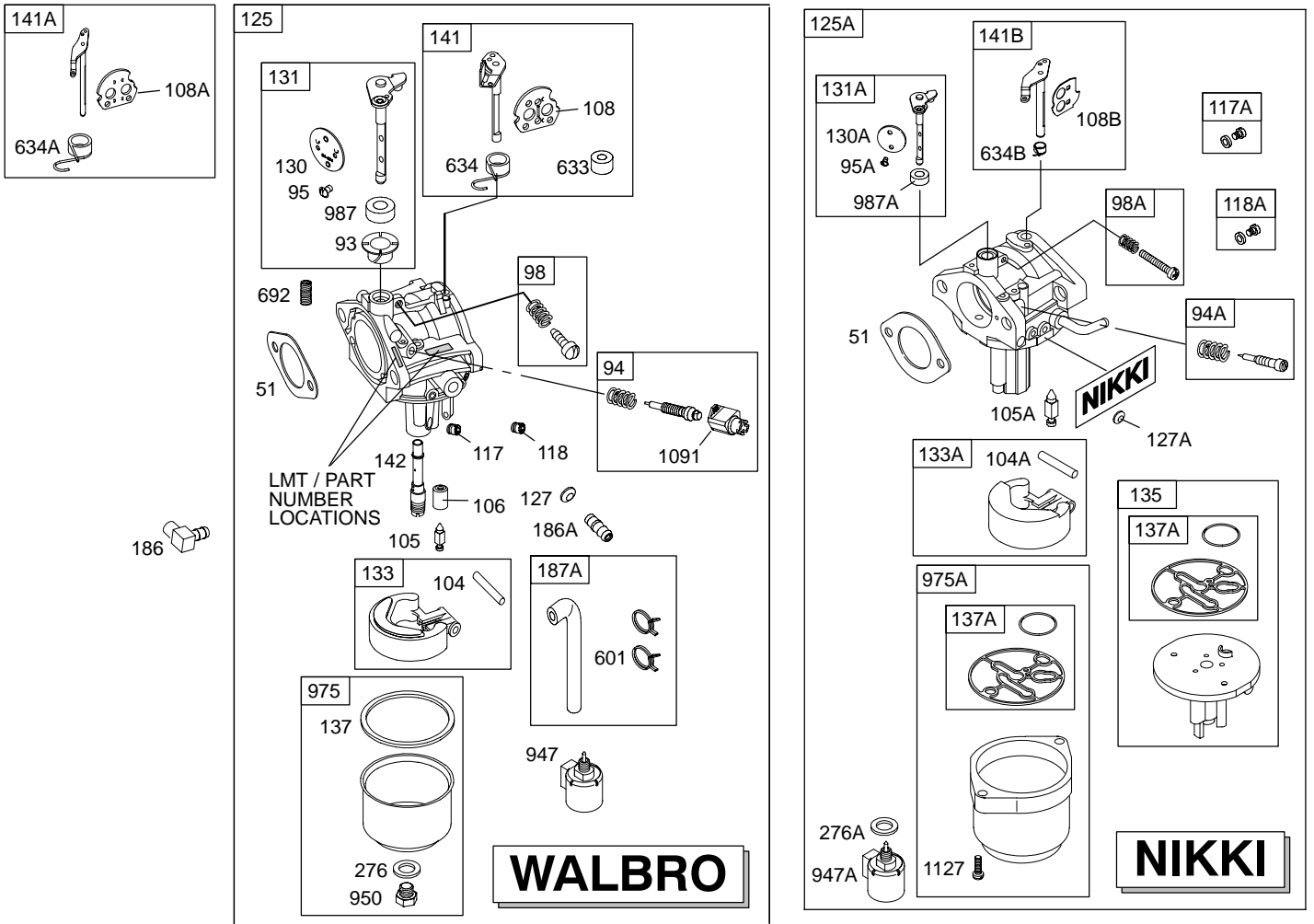


Illustrations cover a range of engines. Parts shown without corresponding text may not be used on your specific engine.
 5035-2 Assemblies include all parts shown in frames. 08/17/2005

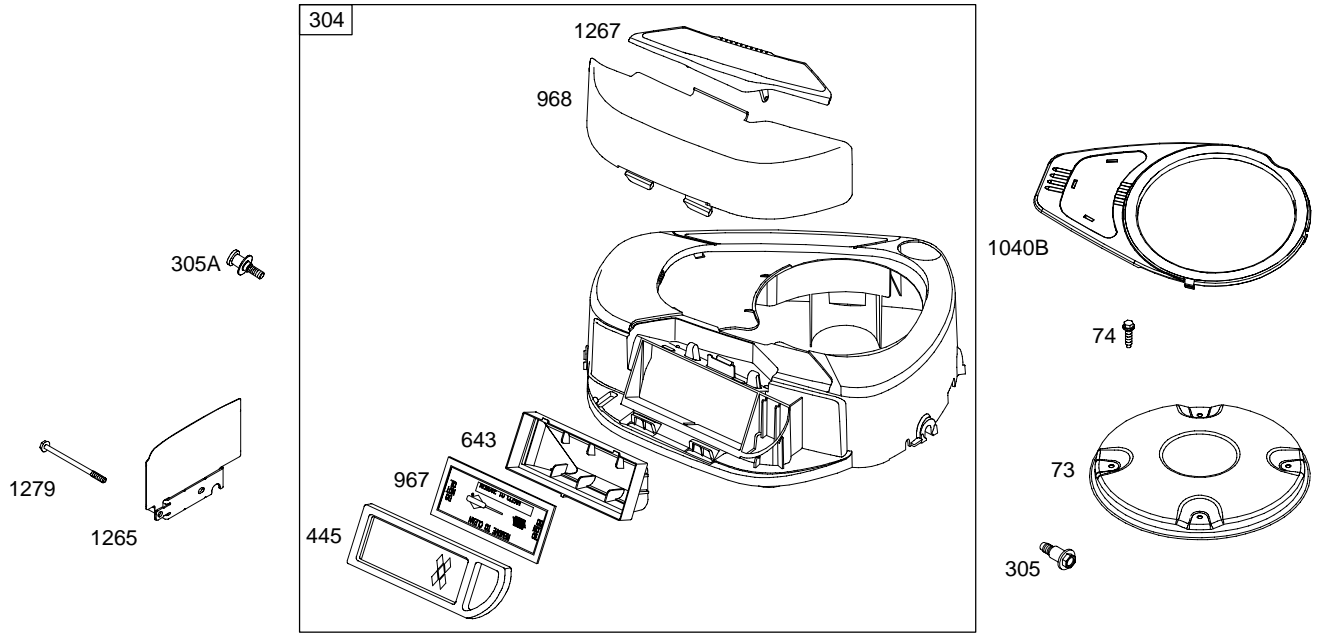


Illustrations cover a range of engines. Parts shown without corresponding text may not be used on your specific engine.
 5035-3 Assemblies include all parts shown in frames. 08/17/2005

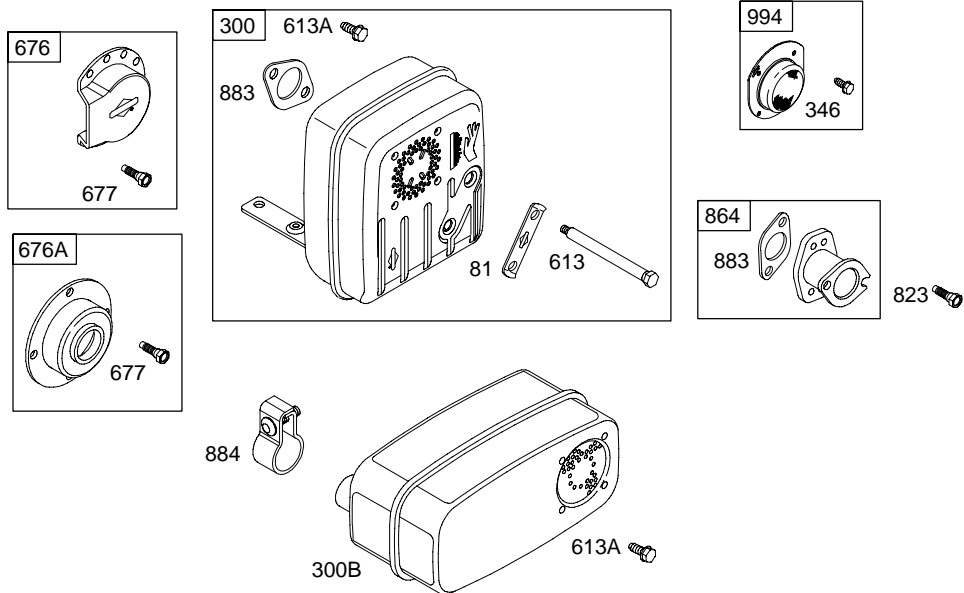
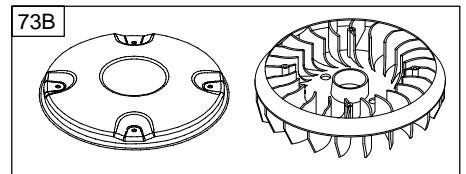
31F700



Illustrations cover a range of engines. Parts shown without corresponding text may not be used on your specific engine.
 5035-4 Assemblies include all parts shown in frames. 08/17/2005

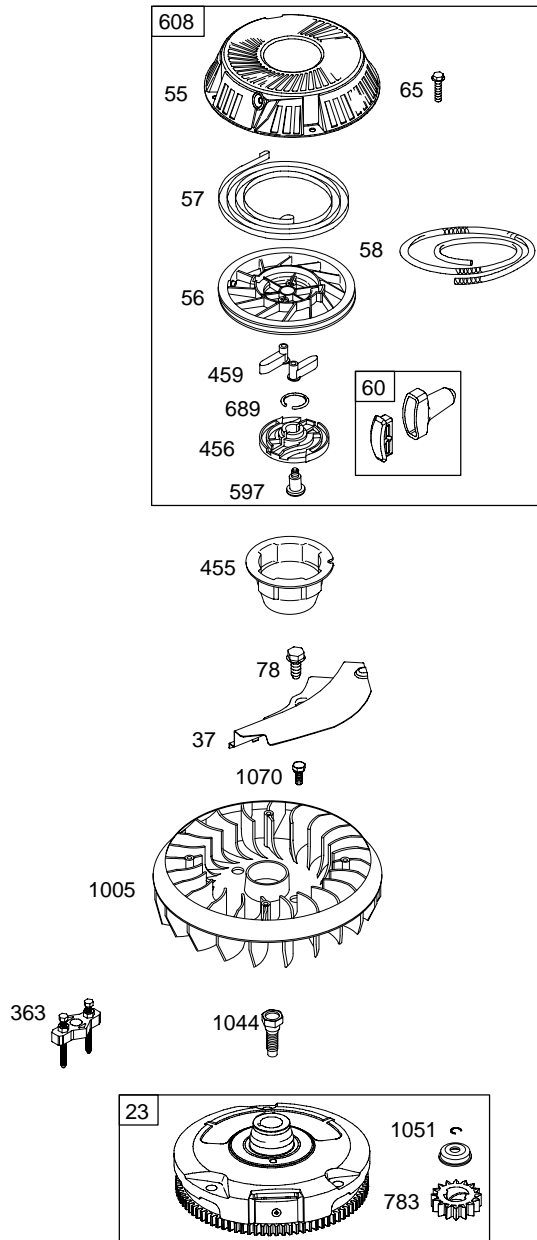


1036 EMISSION LABEL



Illustrations cover a range of engines. Parts shown without corresponding text may not be used on your specific engine.
 5035-5 Assemblies include all parts shown in frames. 08/17/2005

31F700



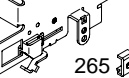
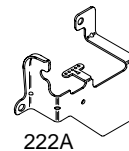
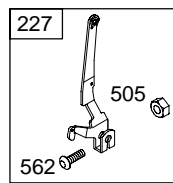
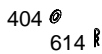
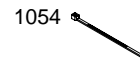
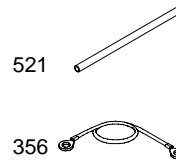
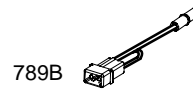
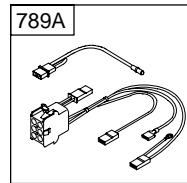
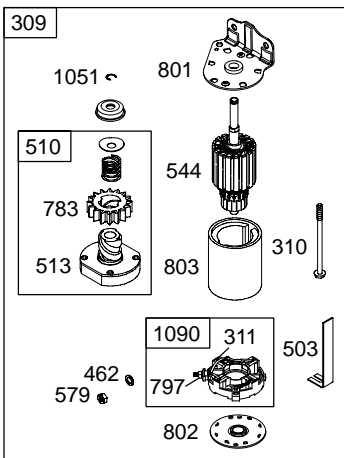
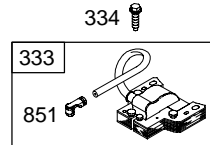
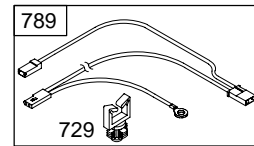
Illustrations cover a range of engines. Parts shown without corresponding text may not be used on your specific engine.
5035-6 Assemblies include all parts shown in frames. 08/17/2005

DUAL CIRCUIT		TRI CIRCUIT		10 AMP	
474A	1059	474B	1059	474C	1059
877		877B		877C	
878		878A		578	



NOTE: All stators use a No. 1119 mounting screw.

NOTE: The proper flywheel part number and/or the alternator magnet size will determine the alternator type or output. See repair instruction manual for additional information.



Illustrations cover a range of engines. Parts shown without corresponding text may not be used on your specific engine.
 5035-7 Assemblies include all parts shown in frames. 08/17/2005

31F700

REF. NO.	PART NO.	DESCRIPTION	REF. NO.	PART NO.	DESCRIPTION	REF. NO.	PART NO.	DESCRIPTION
1	697174	Cylinder Assembly	23	693556	Flywheel Used on Type No(s). 0110, 0111, 0112, 0113, 0114, 0124, 0125, 0126, 0130, 0161, 0162, 0318, 0403.	29	697126	Rod-Connecting (Standard) Used on Type No(s). 0112, 0113, 0114, 0123, 0126, 0129, 0130, 0161, 0162, 0284, 0317, 0318, 0403.
2	399265	Kit-Bushing/Seal (Magneto Side)			----- Note ----- 698282 Flywheel (Used After Code Date 04052700) Used on Type No(s). 0129, 0132.			----- Note ----- 697263 Rod-Connecting (.020" Undersize) Used on Type No(s). 0112, 0113, 0114, 0123, 0126, 0129, 0130, 0161, 0162, 0284, 0317, 0318, 0403.
3	★391086	Seal-Oil (Magneto Side)			693556 Flywheel (Used Before Code Date 04052800) Used on Type No(s). 0129.			697518 Rod-Connecting (Standard) Used on Type No(s). 0110, 0111, 0115, 0124, 0125.
4	697106	Sump-Engine Used on Type No(s). 0112, 0114, 0129, 0130, 0132.			790835 Flywheel (Painted Flywheel) Used on Type No(s). 0131.			697264 Rod-Connecting (.020" Undersize) Used on Type No(s). 0110, 0111, 0115, 0124, 0125.
4A	697188	Sump-Engine Used on Type No(s). 0110, 0111, 0113, 0115, 0116, 0123, 0124, 0125, 0126, 0131, 0161, 0162, 0284, 0317, 0318, 0403.	24	222698	Key-Flywheel	32	692852	Screw (Connecting Rod)
5	698148	Head-Cylinder	25	699025	Piston Assembly (Standard) ----- Note ----- 699040 Piston Assembly (.010" Oversize)	33	695760	Valve-Exhaust
7	★△699168	Gasket-Cylinder Head			699041 Piston Assembly (.020" Oversize)	34	695761	Valve-Intake
9	★697109	Gasket-Breather			699042 Piston Assembly (.030" Oversize)	35	691279	Spring-Valve (Intake)
10	697157	Screw (Breather Assembly)			26 699026 Ring Set (Standard) ----- Note ----- 697165 Ring Set (.010" Oversize)	36	691279	Spring-Valve (Exhaust)
11	697113	Tube-Breather			697171 Ring Set (.020" Oversize)	37	697352	Guard-Flywheel
12	★697110	Gasket-Crankcase (.015" Thick)(Standard)			697172 Ring Set (.030" Oversize)	42	499586	Keeper-Valve
13	690360	Screw (Cylinder Head)			27 698469 Lock-Piston Pin	43	691968	Slinger-Governor/Oil
15	690946	Plug-Oil Drain (Square Head) ----- Note ----- 691680 Plug-Oil Drain (Square Socket) Used on Type No(s). 0318, 0403.			28 697099 Pin-Piston (Standard)	45	690564	Tappet-Valve
16	697127	Crankshaft Used on Type No(s). 0112, 0113, 0114, 0123, 0126, 0129, 0130, 0131, 0132, 0161, 0162, 0284, 0317, 0318, 0403. ----- Note ----- 697516 Crankshaft Used on Type No(s). 0110, 0111, 0115, 0124, 0125. 699106 Crankshaft Used on Type No(s). 0116.				46	698492	Camshaft
20	★690947	Seal-Oil (PTO Side)				50	690193	Manifold-Intake
22	692125	Screw (Crankcase Cover/Sump)				51★△◆	692137	Gasket-Intake
						53	690227	Stud (Carburetor)
						54	691148	Screw (Intake Manifold)

★ Included in Engine Gasket Set-Ref. No.358.

● Included in Carburetor Overhaul Kit-Ref. No. 121 or 121A.

◆ Included in Carburetor Gasket Set-Ref. No. 977.

△ Included in Valve Gasket Set-Ref. No 1095.

Illustrations cover a range of engines. Parts shown without corresponding text may not be used on your specific engine.

5035-8

Assemblies include all parts shown in frames.

08/17/2005

31F700

REF. NO.	PART NO.	DESCRIPTION	REF. NO.	PART NO.	DESCRIPTION	REF. NO.	PART NO.	DESCRIPTION			
55	695130	Housing–Rewind Starter Used on Type No(s). 0115.	98	495800	Kit–Idle Speed	127	695005	Plug–Welch			
			98A	695408	Kit–Idle Speed			----- Note -----			
			104	●690525	Pin–Float Hinge			694524 Plug–Welch (697206)			
56	695129	Pulley–Starter Used on Type No(s). 0115.	104A	●694918	Pin–Float Hinge			Used on Type No(s). 0116.			
			105	●231855	Valve–Float Needle	127A	●690727	Plug–Welch			
			105A	●696136	Valve–Float Needle	130	691750	Valve–Throttle			
			106	●690577	Seat–Inlet (Gravity Feed) Used on Type No(s). 0110, 0115, 0123, 0162, 0284, 0317.	130A	699500	Valve–Throttle			
57	695131	Spring–Rewind Starter Used on Type No(s). 0115.			----- Note -----	131	494379	Kit–Throttle Shaft			
					●691780 Seat–Inlet (Pump Feed) Used on Type No(s). 0111, 0112, 0113, 0114, 0116, 0124, 0125, 0126, 0129, 0130, 0131, 0161, 0318, 0403.	131A	699501	Kit–Throttle Shaft			
58	695132	Rope–Starter Used on Type No(s). 0115.	108	690464	Valve–Choke (697204)	133	494381	Float–Carburetor			
			108A	692344	Valve–Choke (696179, 696181, 697202, 697203, 697206)	133A	694914	Float–Carburetor			
60	494212	Grip–Starter Rope Used on Type No(s). 0115.			108B	695419	Valve–Choke	135	698780	Tube–Fuel Transfer	
					117	●694352	Jet–Main (Standard)	137	●281165	Gasket–Float Bowl	
65	697725	Screw (Rewind Starter) Used on Type No(s). 0115.	117A	●699457	Jet–Main (Standard)	137A	●698781	Gasket–Float Bowl	141	495097	Kit–Choke Shaft (697204)
			118	697228	Jet–Main (High Altitude)	141A	495931	Kit–Choke Shaft (696179, 696181, 697202, 697203, 697206)			----- Note -----
73	697133	Screen–Rotating (Used After Code Date 03042300)	118A	699458	Jet–Main (High Altitude)			699112 Kit–Choke Shaft (697206) Used on Type No(s). 0116.			
73B	699708	Screen–Rotating (Used Before Code Date 03042400)	121	697241	Kit–Carburetor Overhaul (Walbro Carburetor)	141B	698778	Kit–Choke Shaft			
			121A	699521	Kit–Carburetor Overhaul (Nikki Carburetor)	142	●697140	Nozzle–Carburetor (Standard)			
74	697897	Screw (Rotating Screen)	125	698445	Carburetor	146	691639	Key–Timing			
78	691003	Screw (Flywheel Guard)			----- Note -----	186	692317	Connector–Hose (90 Degree)			
81	691178	Lock–Muffler Screw			699109 Carburetor Used on Type No(s). 0116.	186A	698174	Connector–Hose (Straight)			
93	●690602	Bushing–Throttle Shaft	125A	791858	Carburetor (Nikki) Used on Type No(s). 0132.	187	691050	Line–Fuel (Cut To Required Length)			
94	498030	Kit–Idle Mixture				187A	699331	Line–Fuel (Formed)(10–1/4 Inches Long)(Cut to Required Length)			
94A	695425	Kit–Idle Mixture						----- Note -----			
95	●691636	Screw (Throttle Valve)						699332 Line–Fuel (Formed)(21 Inches Long)(Cut To Required Length)			
95A	●690718	Screw (Throttle Valve)				188	691693	Screw (Control Bracket)			

★ Included in Engine Gasket Set–Ref. No.358.

● Included in Carburetor Overhaul Kit–Ref. No. 121 or 121A.

◆ Included in Carburetor Gasket Set–Ref. No. 977.

△ Included in Valve Gasket Set–Ref. No 1095.

Illustrations cover a range of engines. Parts shown without corresponding text may not be used on your specific engine.

5035–9

Assemblies include all parts shown in frames.

08/17/2005

31F700

REF. NO.	PART NO.	DESCRIPTION	REF. NO.	PART NO.	DESCRIPTION	REF. NO.	PART NO.	DESCRIPTION	
192	691986	Adjuster-Rocker Arm	240A	691035	Filter-Fuel (Includes Paper Element With A 40 Micron Rating) Used on Type No(s). 0111, 0112, 0113, 0114, 0116, 0124, 0125, 0126, 0129, 0130, 0131, 0132, 0161, 0318, 0403.	305	697102	Screw (Blower Housing)	
202	691841	Link-Mechanical Governor				305A	697103	Screw (Blower Housing)	
209	692208	Spring-Governor (Green) ----- Note ----- 690480 Spring-Governor (Red) Used on Type No(s). 0115, 0126, 0131. 690576 Spring-Governor (Gold) Used on Type No(s). 0114. 691795 Spring-Governor (Yellow) Used on Type No(s). 0130. 260902 Spring-Governor (Green) Used on Type No(s). 0317.	265	691024	Clamp-Casing				
			267	695134	Screw (Casing Clamp) Used on Type No(s). 0123, 0125, 0126, 0161, 0162, 0284, 0317, 0318, 0403. ----- Note ----- 690804 Screw (Casing Clamp) Used on Type No(s). 0110, 0111, 0112, 0113, 0114, 0115, 0124, 0129, 0130, 0131, 0132.	306	697107	Shield-Cylinder	
						307	691108	Screw (Cylinder Shield)	
						309	693551	Motor-Starter	
						310	690323	Screw (Starter Motor)	
						311	497608	Brush Set	
						333	492341	Armature-Magneto	
						334	691061	Screw (Magneto Armature)	
						337	491055	Plug-Spark Used on Type No(s). 0112, 0113, 0116, 0126, 0129. ----- Note ----- 691043 Plug-Spark Used on Type No(s). 0110, 0111, 0114, 0115, 0123, 0124, 0125, 0130, 0131, 0161, 0162, 0284, 0317, 0318, 0403.	
216	691840	Link-Choke	268	691025	Casing-Control Wire (Cut To Required Length)	344	693675	Screw (Cable Clamp)	
222	694042	Bracket-Control				346	690661	Screw (Spark Arrestor) Used on Type No(s). 0116.	
222A	694335	Bracket-Control Used on Type No(s). 0116.	269	691026	Wire-Control (Cut To Required Length)				
227	691374	Lever-Governor Control (Standard) ----- Note ----- 694339 Lever-Governor Control Used on Type No(s). 0116.	270	691027	Nut (Control Wire Casing)	356	697089	Wire-Stop	
			271	691028	Lever-Control	358	697191	Gasket Set-Engine	
			276	692255	Washer-Sealing	363	19203	Puller-Flywheel	
232	691842	Spring-Governor Link	276A	695410	Washer-Sealing	383	89838	Wrench-Spark Plug	
238	691843	Cap-Valve	300	697349	Muffler Used on Type No(s). 0116, 0126, 0161.	385	694476	Screw (Fuel Pump)	
239	491657	Switch-Oil Pressure Used on Type No(s). 0126, 0318.	300B	498984	Muffler Used on Type No(s). 0131.	385A	690297	Screw (Fuel Pump)	
240	394358	Filter-Fuel (White, 75 Microns) Used on Type No(s). 0110, 0115, 0123, 0162, 0284, 0317.	304	698599	Housing-Blower (Black) ----- Note ----- 790929 Housing-Blower (Red)	387	697090	Pump-Fuel (Includes Mounting Bracket) Used on Type No(s). 0111, 0112, 0113, 0114, 0124, 0125, 0129, 0130, 0131, 0161, 0318, 0403.	

★ Included in Engine Gasket Set-Ref. No.358.

● Included in Carburetor Overhaul Kit-Ref. No. 121 or 121A.

◆ Included in Carburetor Gasket Set-Ref. No. 977.

△ Included in Valve Gasket Set-Ref. No 1095.

Illustrations cover a range of engines. Parts shown without corresponding text may not be used on your specific engine.

5035-10

Assemblies include all parts shown in frames.

08/17/2005

31F700

REF. NO.	PART NO.	DESCRIPTION	REF. NO.	PART NO.	DESCRIPTION	REF. NO.	PART NO.	DESCRIPTION
387A	808656	Pump-Fuel	510	693699	Drive-Starter	579	691029	Nut (Starter Cable)
404	691691	Washer (Governor Crank)	513	692024	Clutch-Drive	584	697112	Cover-Breather Passage
415	690283	Plug (Sump)	521	690581	Shield-Cable	597	691696	Screw (Pawl Friction Plate)
431	697122	Elbow-Intake	523	699908	Dipstick			Used on Type No(s). 0110, 0115, 0123, 0162, 0284, 0317.
445	698083	Filter-Air Cleaner Cartridge (Non Washable)	524	★691032	Seal-Dipstick Tube	601	95162	Clamp-Hose
455	695113	Cup-Flywheel Used on Type No(s). 0115.	525	697184	Tube-Dipstick Used on Type No(s). 0110, 0115, 0123, 0162, 0284, 0317.	608	695058	Starter-Rewind Used on Type No(s). 0115.
456	695128	Plate-Pawl Friction Used on Type No(s). 0115.			----- Note ----- 697085 Tube-Dipstick Used on Type No(s). 0111, 0112, 0113, 0114, 0116, 0124, 0125, 0126, 0129, 0130, 0131, 0132, 0161, 0318, 0403.	613	691416	Screw (Muffler)
459	281505	Pawl-Ratchet Used on Type No(s). 0115.				613A	690297	Screw (Muffler)
462	691261	Washer (Starter Cable)	526	697088	Screw (Regulator) Used on Type No(s). 0110, 0112, 0113, 0114, 0129, 0130, 0131, 0132, 0318, 0403.	614	691620	Pin-Cotter
474A	696459	Alternator (Dual Circuit) Used on Type No(s). 0115, 0123, 0284, 0317.				616	692012	Crank-Governor
474B	696457	Alternator (Tri Circuit) Used on Type No(s). 0110, 0112, 0113, 0114, 0129, 0130, 0131, 0132, 0318, 0403.				617	★692138	Seal-O Ring (Intake Manifold)
474C	696458	Alternator (10 Amp Circuit) Used on Type No(s). 0111, 0124, 0125, 0126, 0161, 0162.				633	690597	Seal-Choke/Throttle Shaft Used on Type No(s). 0116.
501	691185	Regulator Used on Type No(s). 0111, 0124, 0125, 0126, 0161, 0162.				634	●690801	Spring/Seal Assembly (697204)
		----- Note ----- 691188 Regulator Used on Type No(s). 0110, 0112, 0113, 0114, 0129, 0130, 0131, 0132, 0318, 0403.	544	692034	Armature-Starter	634A	●690802	Spring/Seal Assembly (696179, 696181, 697202, 697203, 697206)
503	691532	Strap-Starter	552	697144	Bushing-Governor Crank	634B	●698779	Spring/Seal Assembly
505	691251	Nut (Governor Control Lever)	559	695134	Screw (Remote Choke Stop) Used on Type No(s). 0123, 0125, 0161, 0162.	635	691909	Boot-Spark Plug
					----- Note ----- 697561 Screw (Remote Choke Stop) Used on Type No(s). 0124, 0126.	643	698401	Retainer-Air Filter
			562	691119	Bolt (Governor Control Lever)	654	690958	Nut (Carburetor)
			578	692306	Wire Assembly Used on Type No(s). 0111, 0124, 0125, 0126, 0161, 0162.	676	397630	Deflector-Muffler Used on Type No(s). 0161.
								----- Note ----- 393761 Deflector-Muffler Used on Type No(s). 0126, 0131.
						676A	396903	Deflector-Muffler Used on Type No(s). 0116.

★ Included in Engine Gasket Set-Ref. No.358.

● Included in Carburetor Overhaul Kit-Ref. No. 121 or 121A.

◆ Included in Carburetor Gasket Set-Ref. No. 977.

△ Included in Valve Gasket Set-Ref. No 1095.

Illustrations cover a range of engines. Parts shown without corresponding text may not be used on your specific engine.

31F700

REF. NO.	PART NO.	DESCRIPTION	REF. NO.	PART NO.	DESCRIPTION	REF. NO.	PART NO.	DESCRIPTION
677	690661	Screw (Muffler Deflector) Used on Type No(s). 0116, 0126, 0131, 0161.	847	790442	Dipstick/Tube Assembly Used on Type No(s). 0110, 0115, 0123, 0162, 0284, 0317.	914	691108	Screw (Rocker Cover)
689	691855	Spring-Friction Used on Type No(s). 0115.			----- Note ----- 790443 Dipstick/Tube Assembly Used on Type No(s). 0111, 0112, 0113, 0114, 0116, 0124, 0125, 0126, 0129, 0130, 0131, 0132, 0161, 0318, 0403.	918	697091	Hose-Vacuum
691	★692407	Seal-Governor Shaft	851	692424	Terminal-Spark Plug	943	★690589	Seal-O Ring (Oil Pump Cover)
692	691301	Spring-Detent (697206) Used on Type No(s). 0116.	864	697346	Adapter-Muffler Used on Type No(s). 0116, 0126, 0161.	947	694393	Solenoid-Fuel
697	690372	Screw (Drive Cap)				947A	699915	Solenoid-Fuel
718	690959	Pin-Locating	868	★Δ690968	Seal-Valve	950	691657	Screw-Float Bowl
729	691335	Clip-Wire (Wire Saddle)	877	393456	Wire/Connector- Alternator (Dual Circuit) Used on Type No(s). 0115, 0123, 0284, 0317.	965	499613	Cover-Oil Pump
729A	691224	Clip-Wire Used on Type No(s). 0112, 0129, 0130, 0132.	877B	393537	Wire/Connector- Alternator (Tri Circuit) Used on Type No(s). 0110, 0112, 0113, 0114, 0129, 0130, 0131, 0132, 0318, 0403.	967	697015	Filter-Pre Cleaner
729B	694123	Clip-Wire				968	698403	Cover-Air Cleaner (Black) (Used After Code Date 04120500)
741	697128	Gear-Timing	877C	399916	Wire/Connector- Alternator (10 Amp Circuit) Used on Type No(s). 0111, 0124, 0125, 0126, 0161, 0162.			----- Note ----- 697084 Cover-Air Cleaner (Black) (Used Before Code Date 04120600)
750	790832	Screw (Oil Pump Cover)						699830 Cover-Air Cleaner (Red)
757	697607	Link-Counterweight	878	691237	Harness-Alternator (Dual Circuit) Used on Type No(s). 0115, 0123, 0284, 0317.	975	495933	Bowl-Float
758	697134	Counterweight	878A	691955	Harness-Alternator (Tri Circuit) Used on Type No(s). 0110, 0112, 0113, 0114, 0129, 0130, 0131, 0132, 0318, 0403.	975A	699502	Bowl-Float
759	697392	Pin-Counterweight				977	690192	Gasket Set-Carburetor
783	693713	Gear-Pinion				987	●691326	Seal-Throttle Shaft
788	699347	Bracket-Fuel Pump Used on Type No(s). 0116.				987A	●698777	Seal-Throttle Shaft
789	692037	Harness-Wiring Used on Type No(s). 0110, 0115, 0116, 0123, 0131, 0161, 0162.				994	392390	Arrestor-Spark Used on Type No(s). 0116.
789A	698329	Harness-Wiring Used on Type No(s). 0126, 0284, 0317, 0318, 0403.				1005	699043	Fan-Flywheel (Used After Code Date 04120500)
789B	790544	Harness-Wiring Used on Type No(s). 0318, 0403.						----- Note ----- 697111 Fan-Flywheel (Used Before Code Date 04120600)
797	693167	Nut (Brush Retainer)				1017	690770	Screen-Oil Pump (Push In)
801	691283	Cap-Drive				1019	699196	Kit-Label ----- Note ----- 790930 Kit-Label (17.0 HP INTEK) Used on Type No(s). 0115.
802	691286	Cap-End						
803	NULL	Housing-Starter						
823	698941	Screw (Muffler Adapter)	883	★692236	Gasket-Exhaust			
830	691095	Stud-Rocker Arm	884	691956	Clamp-Muffler Used on Type No(s). 0131.			
842	★691031	Seal-O Ring (Dipstick Tube)						

★ Included in Engine Gasket Set-Ref. No.358.

● Included in Carburetor Overhaul Kit-Ref. No. 121 or 121A.

◆ Included in Carburetor Gasket Set-Ref. No. 977.

Δ Included in Valve Gasket Set-Ref. No 1095.

Illustrations cover a range of engines. Parts shown without corresponding text may not be used on your specific engine.

31F700

REF. NO.	PART NO.	DESCRIPTION	REF. NO.	PART NO.	DESCRIPTION	REF. NO.	PART NO.	DESCRIPTION
1022	★△272475	Gasket-Rocker Cover	1036A	698979	Label-Emissions Used on Type No(s). 0284.	1265	697125	Support-Blower Housing
1023	791079	Cover-Rocker Used on Type No(s). 0129, 0130, 0132. ----- Note ----- 791079 Cover-Rocker (Used After Code Date 05013100)	1040B	699852	Plate-Trim	1266	★●691917	Seal-O Ring (Intake Elbow)
		692492 Cover-Rocker (Used Before Code Date 05020100)	1044	698139	Screw (Flywheel)	1266A	●697123	Seal-O Ring (Intake Elbow)
1024	499054	Pump-Oil	1051	691265	Ring-Retaining	1267	697419	Latch-Blower Housing (Black) ----- Note ----- 697424 Latch-Blower Housing (Red)
1026	692003	Rod-Push (Intake)	1054	280275	Tie-Cable	1270	697156	Plug-AVS Counterweight
1026	692011	Rod-Push (Exhaust)	1058	276344	Operator's Manual	1279	691108	Screw (Blower Housing Support)
1027	492932	Filter-Oil	1059	698516	Kit-Screw/Washer	1330	272147	Repair Manual
1029	691751	Arm-Rocker	1070	690372	Screw (Flywheel Fan)			
1034	690822	Guide-Push Rod	1090	691293	Retainer-Brush			
1035	693784	Shaft-Pump	1091	691333	Cap-Limiter			
1036		Label-Emissions (Available from an Authorized Briggs & Stratton Service Dealer)	1095	690190	Gasket Set-Valve			
			1119	691183	Screw (Alternator)			
			1127	695407	Screw (Float Bowl)			
			1263	697124	Reed-Breather			
			1264	697104	Screw (Breather Reed)			

★ Included in Engine Gasket Set-Ref. No.358.

● Included in Carburetor Overhaul Kit-Ref. No. 121 or 121A.

◆ Included in Carburetor Gasket Set-Ref. No. 977.

△ Included in Valve Gasket Set-Ref. No 1095.

Illustrations cover a range of engines. Parts shown without corresponding text may not be used on your specific engine.