



31C700

Illustrated Parts List

Model Series

31C700

TYPE NUMBERS
0154 THROUGH 0603.

TABLE OF CONTENTS

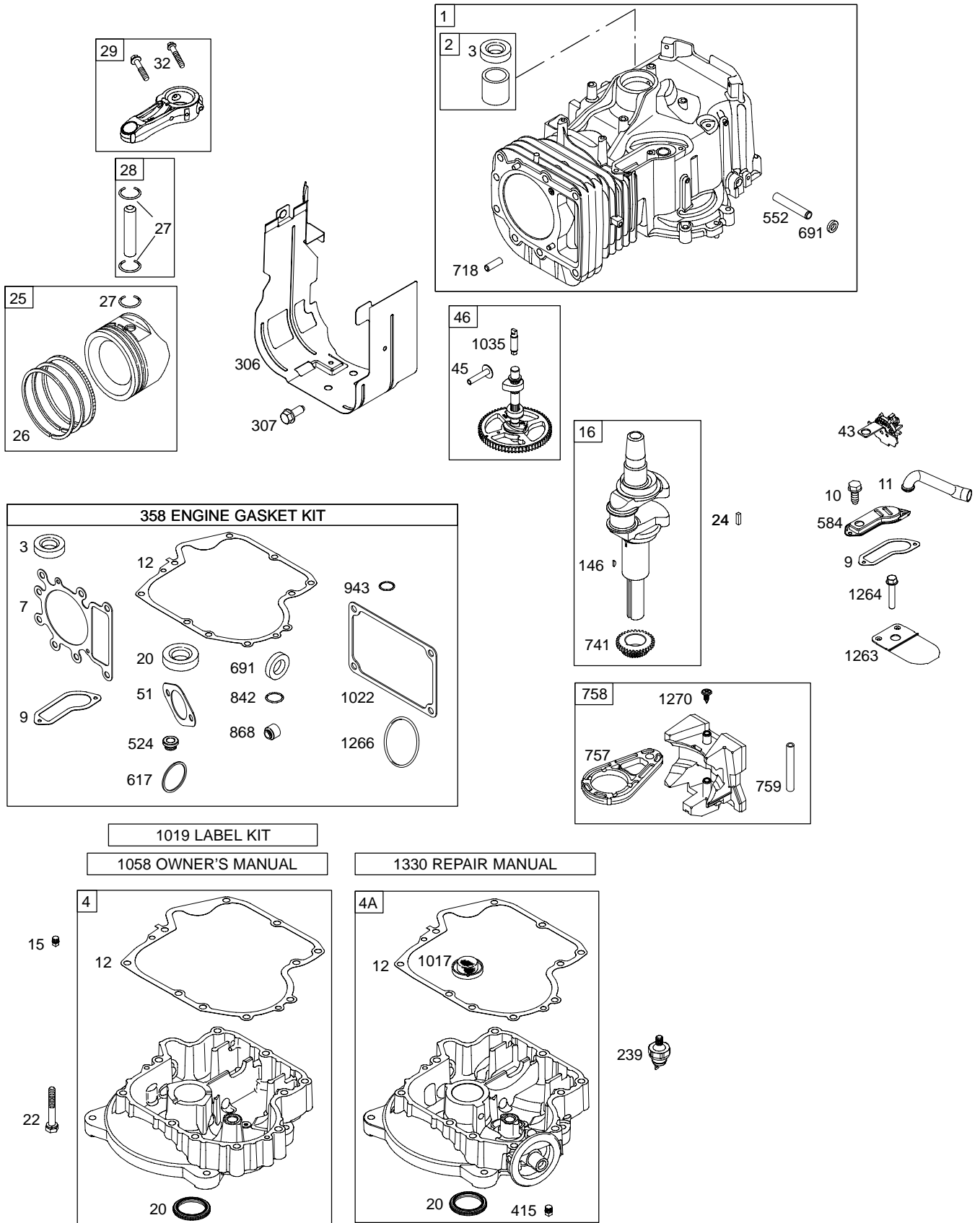
Air Cleaner	5
Alternator	7
Blower Housing	5
Camshaft	2
Carburetor	4
Controls	7
Crankshaft	2
Cylinder	2
Electric Starter	7
Engine Sump	2
Exhaust System	5
Flywheel	6
Fuel Supply	5
Gasket Set - Engine	2
Gasket Set - Valve	3
Governor Spring	7
Head	3
Ignition	7
Kit - Carburetor Overhaul	4
Lubrication	3
Piston, Rings, Connecting Rod	2
Valves	3



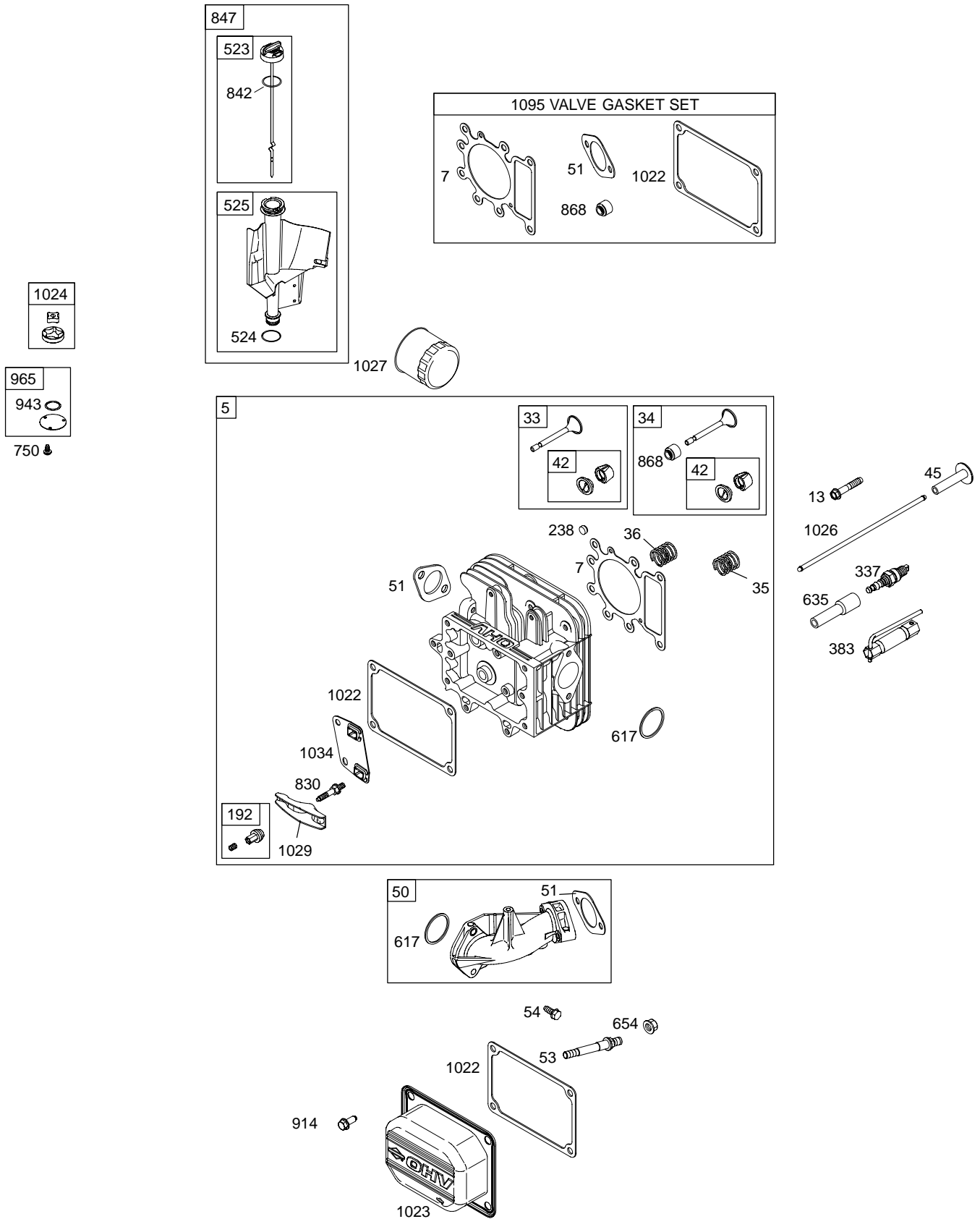
PRINTED IN U.S.A.

COPYRIGHT by BRIGGS & STRATTON CORPORATION
All rights reserved. No part of this material may be reproduced or transmitted, in any form or by any means, electronic or mechanical, including photocopying, recording or by any information storage and retrieval system, without permission in writing from Briggs & Stratton Corporation.

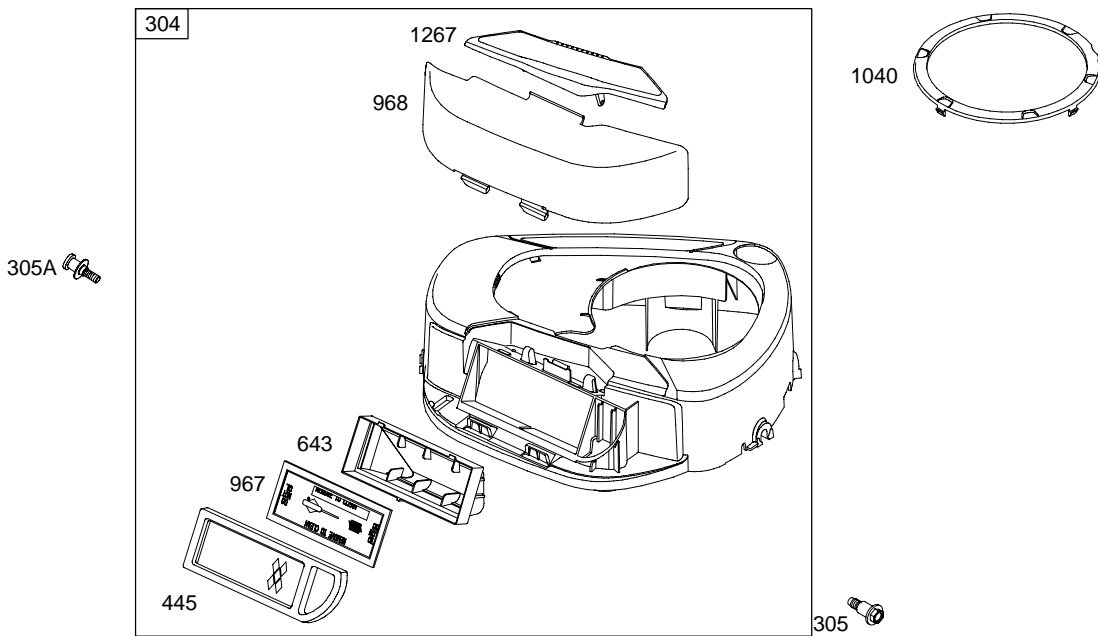
31C700



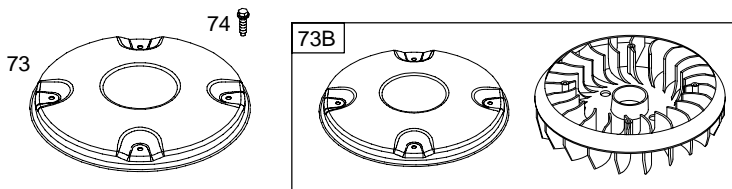
Illustrations cover a range of engines. Parts shown without corresponding text may not be used on your specific engine. 5535-2 Assemblies include all parts shown in frames. 08/08/2005



Illustrations cover a range of engines. Parts shown without corresponding text may not be used on your specific engine.
 5535-3 Assemblies include all parts shown in frames. 08/08/2005

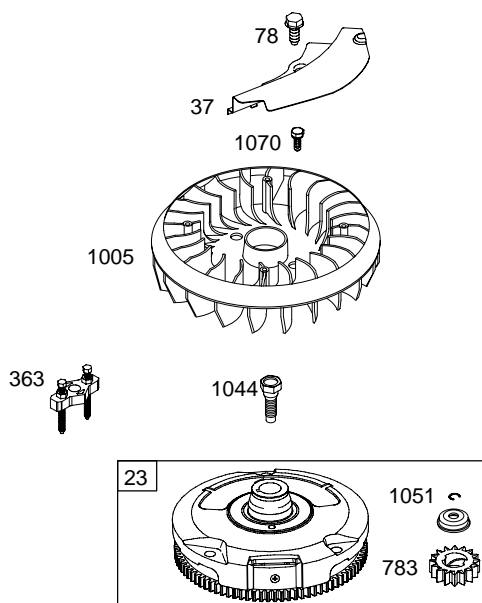


1036 EMISSION LABEL

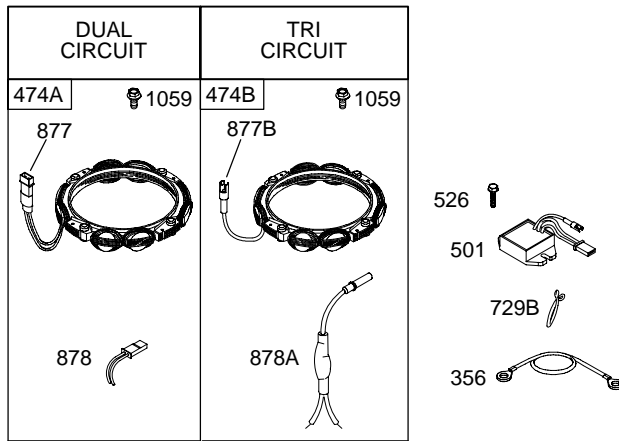


Illustrations cover a range of engines. Parts shown without corresponding text may not be used on your specific engine.
5535-5 Assemblies include all parts shown in frames. 08/08/2005

31C700

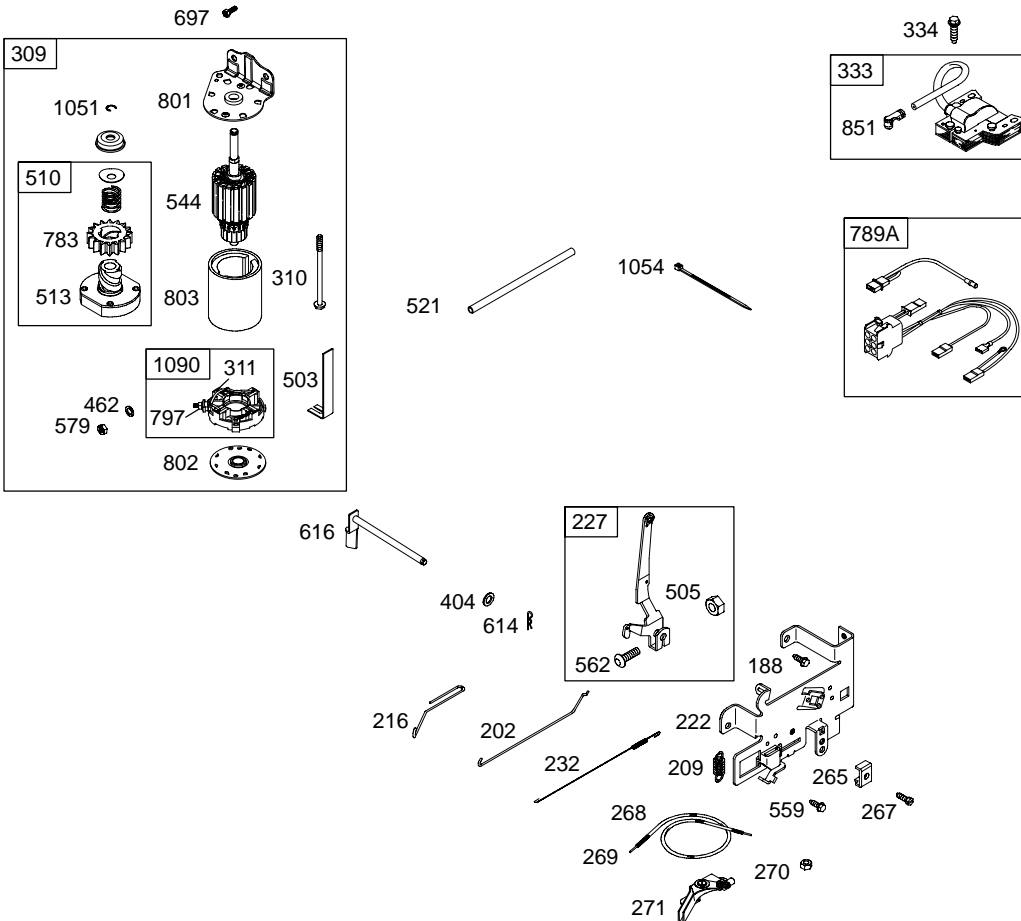


Illustrations cover a range of engines. Parts shown without corresponding text may not be used on your specific engine.



NOTE: All stators use a No. 1119 mounting screw.

NOTE: The proper flywheel part number and/or the alternator magnet size will determine the alternator type or output. See repair instruction manual for additional information.



Illustrations cover a range of engines. Parts shown without corresponding text may not be used on your specific engine.
 5535-7 Assemblies include all parts shown in frames. 08/08/2005

31C700

REF. NO.	PART NO.	DESCRIPTION	REF. NO.	PART NO.	DESCRIPTION	REF. NO.	PART NO.	DESCRIPTION		
1	697174	Cylinder Assembly	26	699026	Ring Set (Standard)	98	495800	Kit-Idle Speed		
2	399265	Kit-Bushing/Seal (Magneto Side)			--- Note -----	98A	695408	Kit-Idle Speed		
3	★391086	Seal-Oil (Magneto Side)			697165 Ring Set (.010" Oversize)	104	●690525	Pin-Float Hinge		
4	697106	Sump-Engine Used on Type No(s). 0154, 0175, 0230, 0240, 0431, 0603.			697171 Ring Set (.020" Oversize)	104A	●694918	Pin-Float Hinge		
4A	697188	Sump-Engine Used on Type No(s). 0173, 0226.	27	698469	Lock-Piston Pin	105	●231855	Valve-Float Needle		
5	698148	Head-Cylinder	28	697099	Pin-Piston (Standard)	105A	●696136	Valve-Float Needle		
7	★△699168	Gasket-Cylinder Head	29	697126	Rod-Connecting (Standard)	106	●690577	Seat-Inlet (Gravity Feed)		
9	★697109	Gasket-Breather			697172 Ring Set (.030" Oversize)	108	690464	Valve-Choke (697204)		
10	697157	Screw (Breather Assembly)			--- Note -----	108A	692344	Valve-Choke (696181, 697203)		
11	697113	Tube-Breather			697263 Rod-Connecting (.020" Undersize)	108B	695419	Valve-Choke		
12	★697110	Gasket-Crankcase (.015" Thick)(Standard)	32	692852	Screw (Connecting Rod)	117	●694352	Jet-Main (Standard)		
13	690360	Screw (Cylinder Head)	33	695760	Valve-Exhaust	117A	●699457	Jet-Main (Standard)		
15	690946	Plug-Oil Drain (Square Head)	34	695761	Valve-Intake	118	697228	Jet-Main (High Altitude)		
16	697127	Crankshaft	35	691279	Spring-Valve (Intake)	118A	699458	Jet-Main (High Altitude)		
20	★690947	Seal-Oil (PTO Side)	36	691279	Spring-Valve (Exhaust)	121	697241	Kit-Carburetor Overhaul (Walbro)		
22	692125	Screw (Crankcase Cover/Sump)(Crankcase Cover/Sump)	37	697352	Guard-Flywheel	121A	699521	Kit-Carburetor Overhaul (Nikki Carburetor)		
23	693557	Flywheel Used on Type No(s). 0154, 0173, 0175, 0226, 0230, 0240, 0603.	42	499586	Keeper-Valve	125	698445	Carburetor (Gravity Feed)		
		--- Note -----	43	691968	Slinger-Governor/Oil	127	695005	Plug-Welch		
		693556 Flywheel Used on Type No(s). 0431.	45	690564	Tappet-Valve	127A	●690727	Plug-Welch		
24	222698	Key-Flywheel	46	790400	Camshaft	130	691750	Valve-Throttle		
25	699025	Piston Assembly (Standard)	50	690193	Manifold-Intake	130A	699500	Valve-Throttle		
		--- Note -----	51★△◆692137	Gasket-Intake	53	690227	Stud (Carburetor)	131	494379	Kit-Throttle Shaft
		699040 Piston Assembly (.010" Oversize)	54	691148	Screw (Intake Manifold)	131A	699501	Kit-Throttle Shaft		
		699041 Piston Assembly (.020" Oversize)	73	697133	Screen-Rotating (Used After Code Date 03042300)	133	494381	Float-Carburetor		
		699042 Piston Assembly (.030" Oversize)	73B	699708	Screen-Rotating (Used Before Code Date 03042400)	133A	694914	Float-Carburetor		
			74	697897	Screw (Rotating Screen)	135	698780	Tube-Fuel Transfer		
			78	691003	Screw (Flywheel Guard)	137	◆281165	Gasket-Float Bowl		
			93	●690602	Bushing-Throttle Shaft	137A	●698781	Gasket-Float Bowl		
			94	498030	Kit-Idle Mixture	141	495097	Kit-Choke Shaft (697204)		
			94A	695425	Kit-Idle Mixture	141A	495931	Kit-Choke Shaft (696181, 697203)		
			95	●691636	Screw (Throttle Valve)	141B	698778	Kit-Choke Shaft		
			95A	●690718	Screw (Throttle Valve)	142	●697140	Nozzle-Carburetor (Standard)		
						146	691639	Key-Timing		
						186	692317	Connector-Hose (90 Degree)		
						186A	698174	Connector-Hose (Straight)		

★ Included in Engine Gasket Set-Ref. No.358.

● Included in Carburetor Overhaul Kit-Ref. No. 121 or 121A.

◆ Included in Carburetor Gasket Set-Ref. No. 977.

△ Included in Valve Gasket Set-Ref. No 1095.

Illustrations cover a range of engines. Parts shown without corresponding text may not be used on your specific engine.

31C700

REF. NO.	PART NO.	DESCRIPTION	REF. NO.	PART NO.	DESCRIPTION	REF. NO.	PART NO.	DESCRIPTION
187	791766	Line-Fuel (15 Inches Long)(Cut To Required Length) (Used After Code Date 05063000). --- Note ----- 691050 Line-Fuel (15 Inches Long)(Cut To Required Length) (Used Before Code Date 05070100).	306	697107	Shield-Cylinder	510	693699	Drive-Starter
			307	691003	Screw (Cylinder Shield)	513	692024	Clutch-Drive
			309	693551	Motor-Starter	521	690581	Shield-Cable
			310	690323	Screw (Starter Motor)	523	699908	Dipstick
			311	497608	Brush Set	524	★691032	Seal-Dipstick Tube
			333	492341	Armature-Magneto	525	697184	Tube-Dipstick
			334	691061	Screw (Magneto Armature)	526	697088	Screw (Regulator)
			337	491055	Plug-Spark --- Note ----- 691043 Plug-Spark Used on Type No(s). 0240.	527	698467	Clamp-Tube
187B	698417	Line-Fuel (Formed)(10-1/4 Inches Long)(Cut to Required Length)				544	692034	Armature-Starter
188	691693	Screw (Control Bracket)	344	693675	Screw (Cable Clamp)	552	697144	Bushing-Governor Crank
192	691986	Adjuster-Rocker Arm	356	697089	Wire-Stop Used on Type No(s). 0431.	559	693675	Screw (Remote Choke Stop) Used on Type No(s). 0240.
202	691841	Link-Mechanical Governor	358	697191	Gasket Set-Engine	562	691119	Bolt (Governor Control Lever)
209	692208	Spring-Governor (Green)	363	19203	Puller-Flywheel	579	691029	Nut (Starter Cable)
216	691840	Link-Choke	383	89838	Wrench-Spark Plug	584	697112	Cover-Breather Passage
222	694042	Bracket-Control	404	691691	Washer (Governor Crank)	601	791850	Clamp-Hose (Used After Code Date 05063000). --- Note ----- 95162 Clamp-Hose (Used Before Code Date 05070100).
227	691374	Lever-Governor Control	415	690283	Plug (Crankcase Cover/Sump)	614	691620	Pin-Cotter
232	691842	Spring-Governor Link	431	697122	Elbow-Intake	616	692012	Crank-Governor
238	691843	Cap-Valve	445	698083	Filter-Air Cleaner Cartridge (Non Washable)	617	★692138	Seal-O Ring (Intake Manifold)
239	694115	Switch-Oil Pressure	462	691261	Washer (Starter Cable)	634	●690801	Spring/Seal Assembly (697204)
240	394358	Filter-Fuel (White, 75 Microns)	474A	696459	Alternator (Dual Circuit) Used on Type No(s). 0154, 0173, 0175, 0226, 0230, 0240, 0603.	634A	●690802	Spring/Seal Assembly (696181, 697203)
265	691024	Clamp-Casing Used on Type No(s). 0173, 0175, 0230, 0240, 0603.				634B	●698779	Spring/Seal Assembly
267	695134	Screw (Casing Clamp)	474B	696457	Alternator (Tri Circuit) Used on Type No(s). 0431.	635	691909	Boot-Spark Plug
268	691025	Casing-Control Wire (Cut To Required Length)	501	691188	Regulator Used on Type No(s). 0431.	643	698401	Retainer-Air Filter
269	691026	Wire-Control (Cut To Required Length)	503	691532	Strap-Starter	654	690958	Nut (Carburetor)
270	691027	Nut (Control Wire Casing)	505	691251	Nut (Governor Control Lever)	691	★692407	Seal-Governor Shaft
271	691028	Lever-Control				692	690572	Spring-Detent
276	●692255	Washer-Sealing				697	690372	Screw (Drive Cap)
276A	695410	Washer-Sealing						
304	698402	Housing-Blower (Red)						
305	697102	Screw (Blower Housing)						
305A	697103	Screw (Blower Housing)						

★ Included in Engine Gasket Set-Ref. No.358.

● Included in Carburetor Overhaul Kit-Ref. No. 121 or 121A.

◆ Included in Carburetor Gasket Set-Ref. No. 977.

△ Included in Valve Gasket Set-Ref. No 1095.

Illustrations cover a range of engines. Parts shown without corresponding text may not be used on your specific engine.

5535-9

Assemblies include all parts shown in frames.

08/08/2005

31C700

REF. NO.	PART NO.	DESCRIPTION	REF. NO.	PART NO.	DESCRIPTION	REF. NO.	PART NO.	DESCRIPTION
718	690959	Pin-Locating	914	691108	Screw (Rocker Cover)	1027	492932	Filter-Oil Used on Type No(s). 0173, 0226.
729B	694123	Clip-Wire Used on Type No(s). 0431.	943	★690589	Seal-O Ring (Oil Pump Cover)	1029	691751	Arm-Rocker
741	697128	Gear-Timing	947	694393	Solenoid-Fuel	1034	690822	Guide-Push Rod
750	790832	Screw (Oil Pump Cover)	947A	699915	Solenoid-Fuel	1035	693784	Shaft-Pump
757	697607	Link-Counterweight	950	691657	Screw-Float Bowl	1036		Label-Emissions (Available from an Authorized Briggs & Stratton Service Dealer)
758	697134	Counterweight	965	499613	Cover-Oil Pump Used on Type No(s). 0173, 0226.	1040	698368	Plate-Trim
759	697392	Pin-Counterweight	967	697015	Filter-Pre Cleaner	1044	698139	Screw (Flywheel)
783	693713	Gear-Pinion	968	698403	Cover-Air Cleaner (Black)	1051	691265	Ring-Retaining
789A	698329	Harness-Wiring	975	495933	Bowl-Float	1054	280275	Tie-Cable
797	693167	Nut (Brush Retainer)	975A	699502	Bowl-Float	1058	275935	Operator's Manual
801	691283	Cap-Drive	977	690192	Gasket Set-Carburetor	1059	698516	Kit-Screw/Washer
802	691286	Cap-End	987	●691326	Seal-Throttle Shaft	1070	690372	Screw (Flywheel Fan)
803		Housing-Starter (Not Serviced Separately, Order Starter Motor 693551)	987A	●698777	Seal-Throttle Shaft	1090	691293	Retainer-Brush
830	691095	Stud-Rocker Arm	1005	699043	Fan-Flywheel (Used After Code Date 03042300)	1091	691333	Cap-Limiter
842	★691031	Seal-O Ring (Dipstick Tube)			---- Note ----- XXXXXX Fan- Flywheel (Order 699708 Screen-Rotating) (Used Before Code Date 03042400)	1095	690190	Gasket Set-Valve
847	790442	Dipstick/Tube Assembly	1017	690770	Screen-Oil Pump (Push In)	1119	691183	Screw (Alternator)
851	692424	Terminal-Spark Plug	1019	698814	Kit-Label	1127	695407	Screw (Float Bowl)
868	★△690968	Seal-Valve	1022	★△272475	Gasket-Rocker Cover	1263	697124	Reed-Breather
877	393456	Wire/Connector- Alternator (Dual Circuit)	1023	791079	Cover-Rocker	1264	697104	Screw (Breather Reed)
877B	393537	Wire/Connector- Alternator (Tri Circuit) Used on Type No(s). 0431.	1024	499054	Pump-Oil Used on Type No(s). 0173, 0226.	1266	★●691917	Seal-O Ring (Intake Elbow)
878	691237	Harness-Alternator (Alternator to Regulator)	1026	692003	Rod-Push (Intake) ---- Note ----- 692011 Rod-Push (Exhaust)	1266A	●697123	Seal-O Ring (Intake Elbow)
878A	691955	Harness-Alternator (Tri Circuit) Used on Type No(s). 0431.				1267	697575	Latch-Blower Housing
						1270	697156	Plug-AVS Counterweight
						1330	272147	Repair Manual

★ Included in Engine Gasket Set-Ref. No.358.

● Included in Carburetor Overhaul Kit-Ref. No. 121 or 121A.

◆ Included in Carburetor Gasket Set-Ref. No. 977.

△ Included in Valve Gasket Set-Ref. No 1095.

Illustrations cover a range of engines. Parts shown without corresponding text may not be used on your specific engine.