



0 24847 09427 5

FORM MS-9691-11/21/2005  
REPLACES FORM MS-9691-03/01/2005  
FILE IN SECT. 2 OF SERVICE MANUAL

**303400**

# Illustrated Parts List

## Model Series

# 303400

TYPE NUMBERS  
0021 through 1454.

### TABLE OF CONTENTS

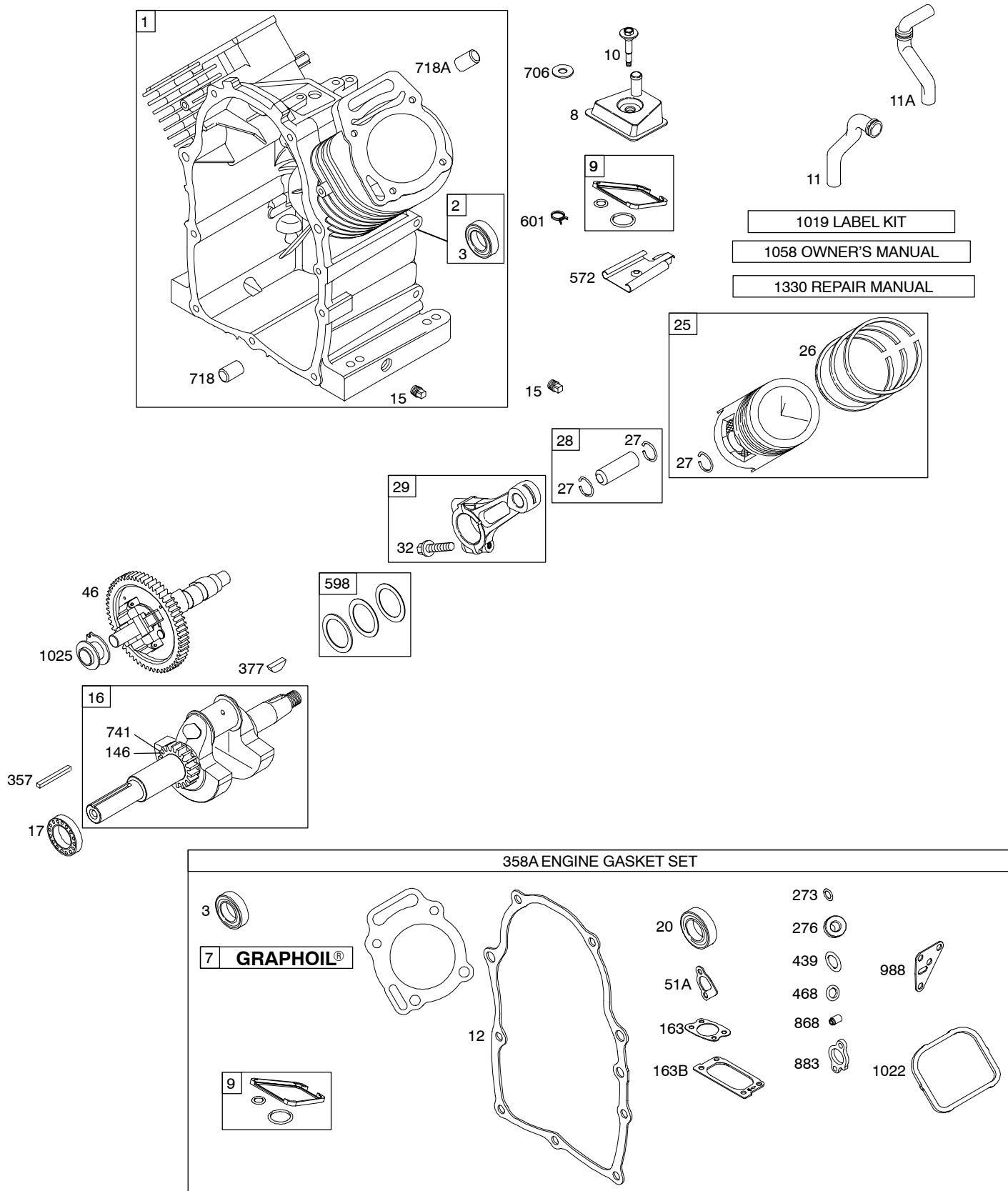
Air Cleaner .....	7
Alternator .....	16
Blower Housing .....	13
Camshaft .....	2
Carburetor .....	6
Controls .....	11
Crankcase Cover .....	4
Crankshaft .....	2
Cylinder .....	2
Cylinder Head .....	3
Electric Starter .....	17 & 18
Exhaust System .....	8 & 9
Flywheel .....	14
Fuel Supply .....	10
Gasket Set - Engine .....	7
Gasket Set - Valve .....	6
Governor Spring .....	11
Ignition .....	16
Intake Manifolds .....	4
Kit - Carburetor Overhaul .....	6
Lubrication .....	5
Piston, Rings, Connecting Rod .....	2
Rewind Starter .....	15
Shrouds .....	12
Starter Kit .....	14
Valves .....	3

PRINTED IN U.S.A.

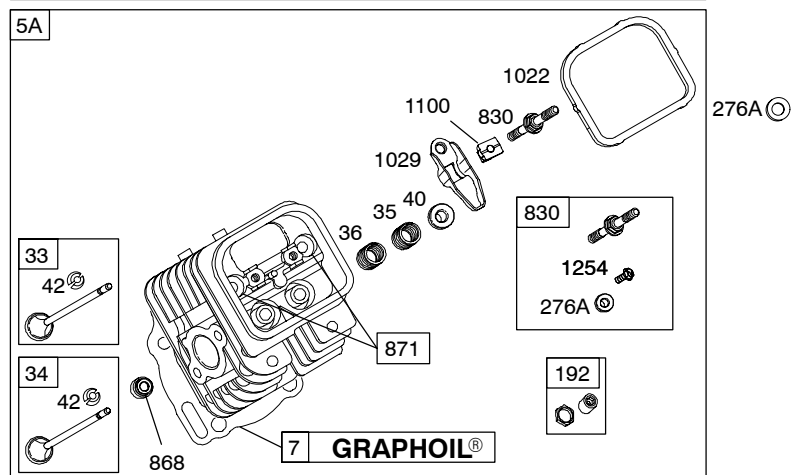
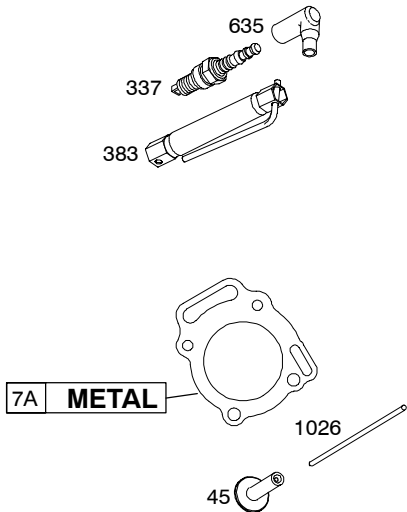
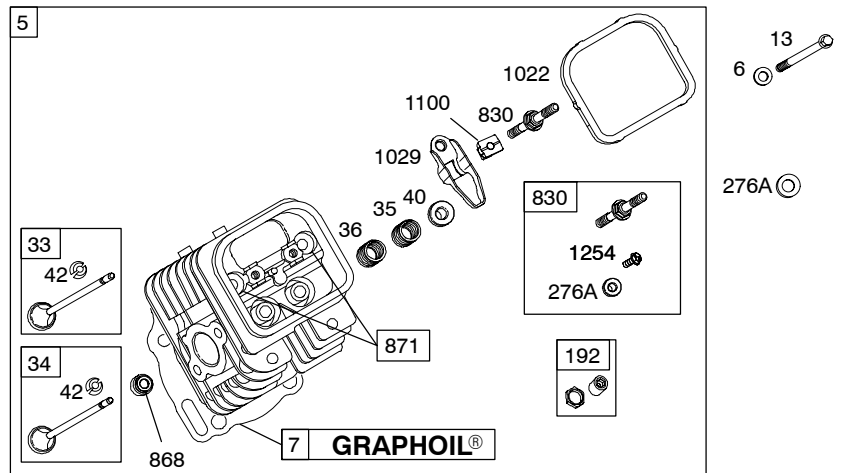
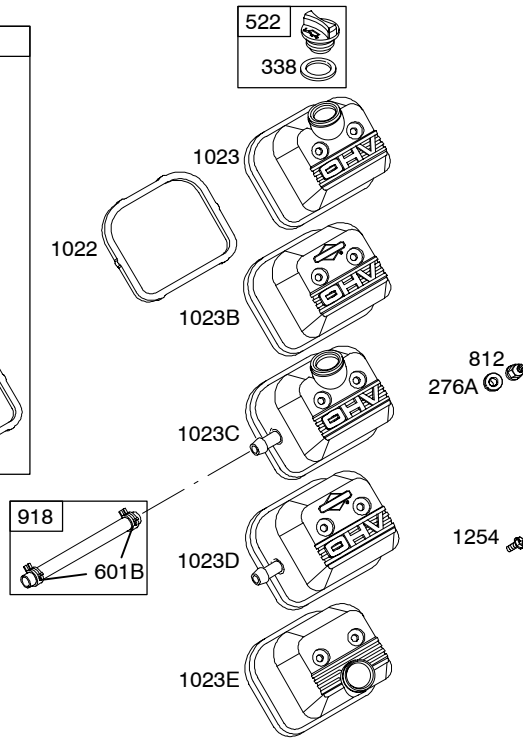
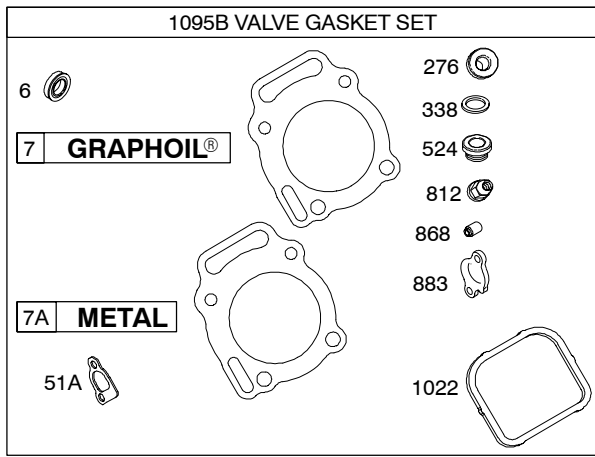


COPYRIGHT by BRIGGS & STRATTON CORPORATION  
All rights reserved. No part of this material may be reproduced or transmitted, in any form or by any means, electronic or mechanical, including photocopying, recording or by any information storage and retrieval system, without permission in writing from Briggs & Stratton Corporation.

# 303400

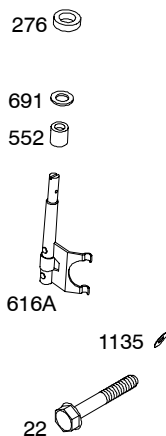
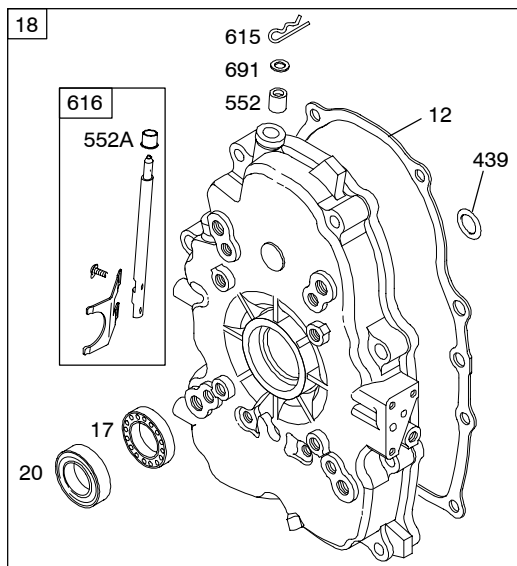
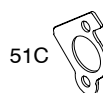
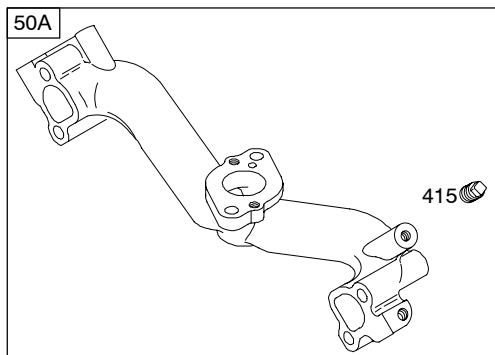
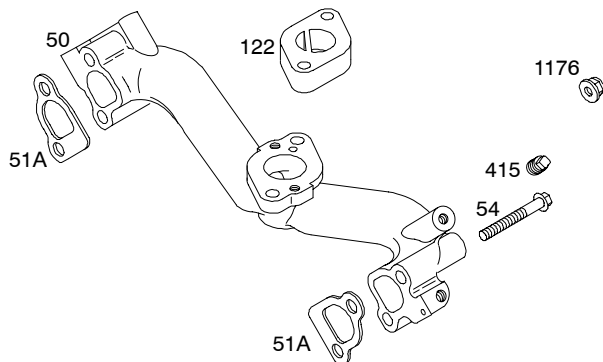


Illustrations cover a range of engines. Parts shown without corresponding text may not be used on your specific engine.



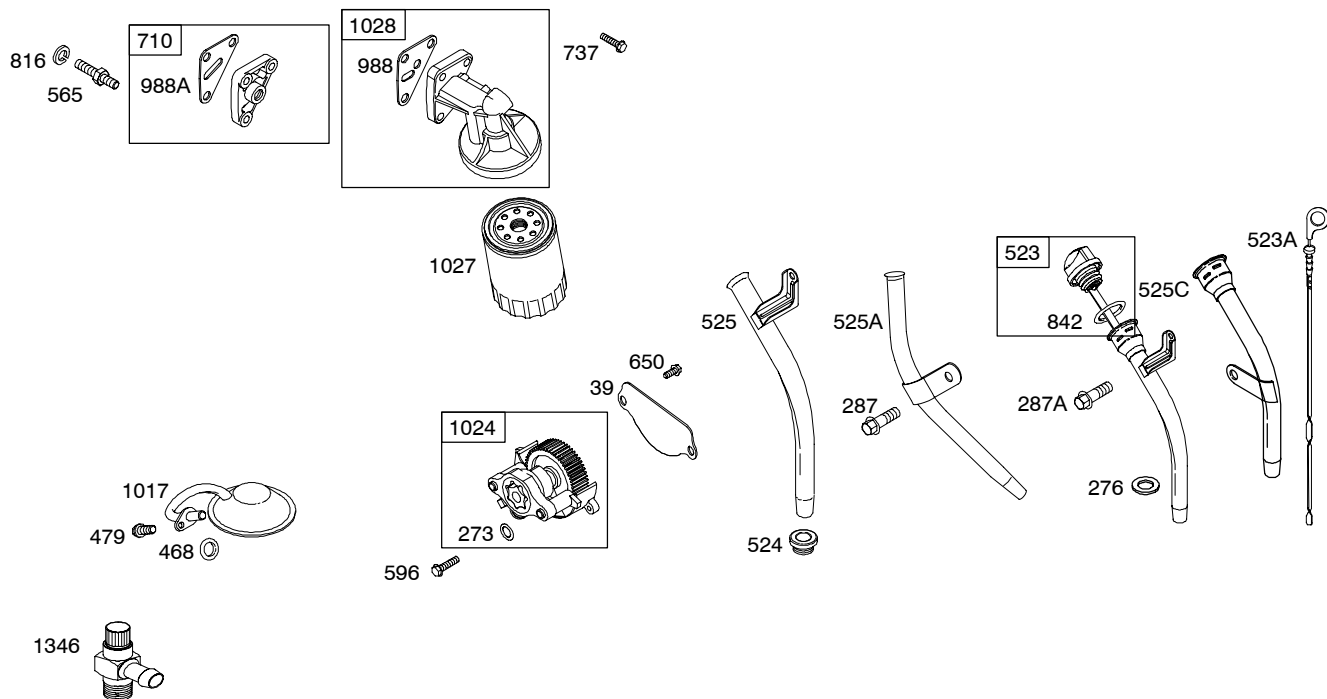
*Illustrations cover a range of engines. Parts shown without corresponding text may not be used on your specific engine.*  
 9691-3 Assemblies include all parts shown in frames. 11/21/2005

**303400**



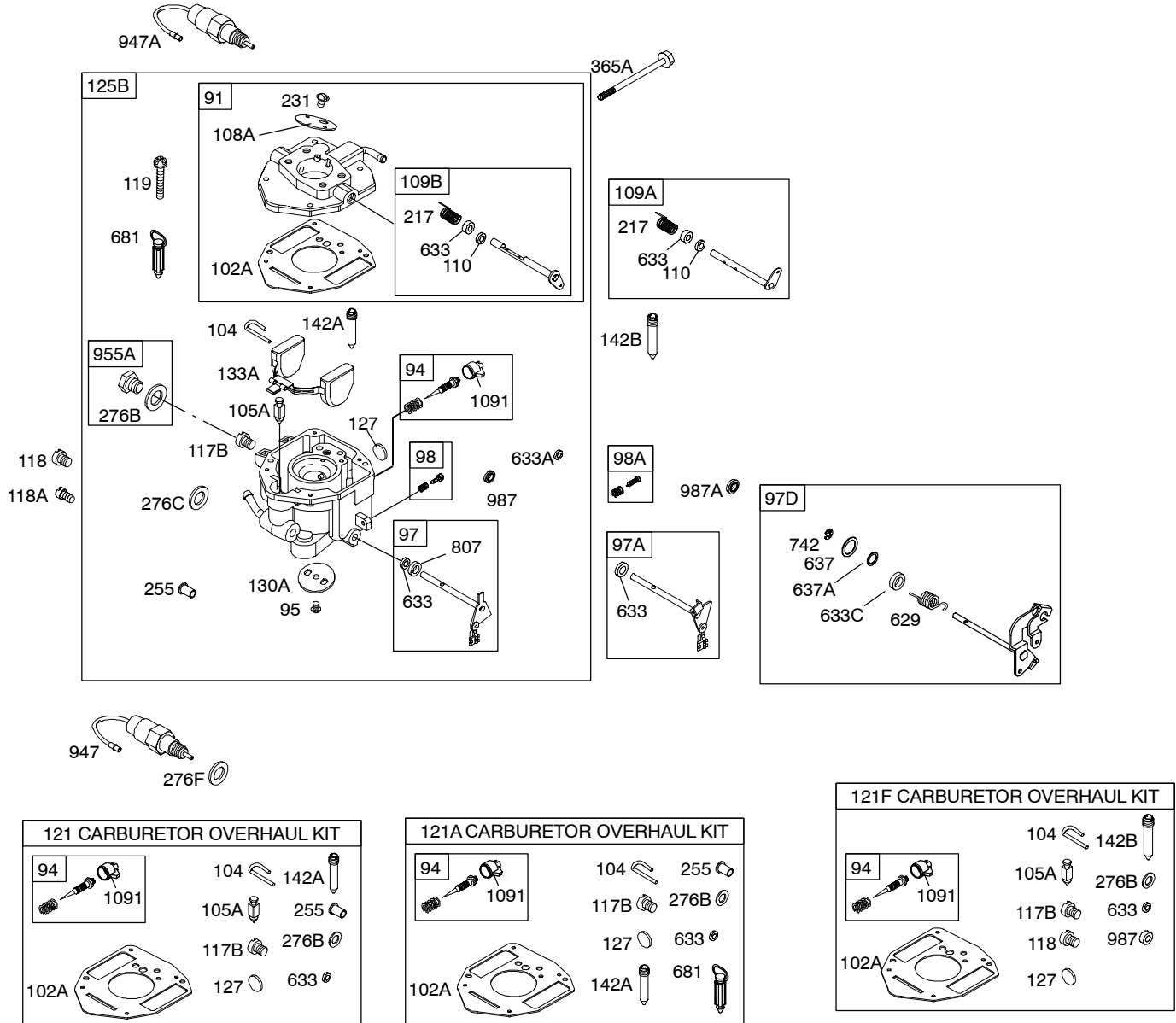
*Illustrations cover a range of engines. Parts shown without corresponding text may not be used on your specific engine.*  
 9691-4 Assemblies include all parts shown in frames.

11/21/2005



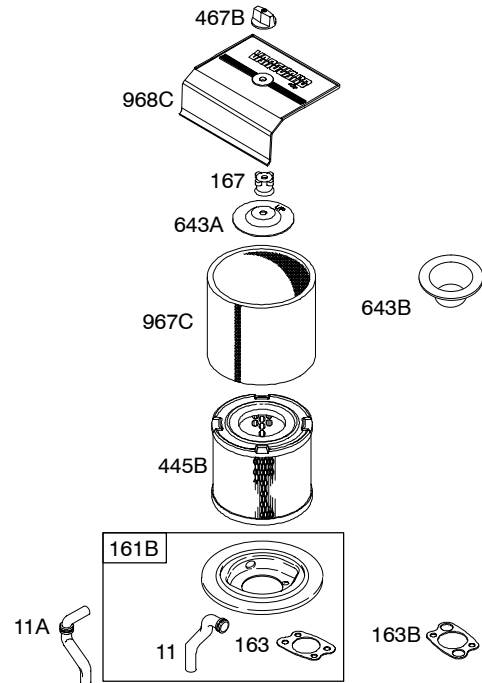
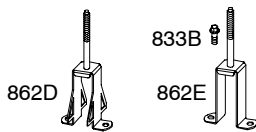
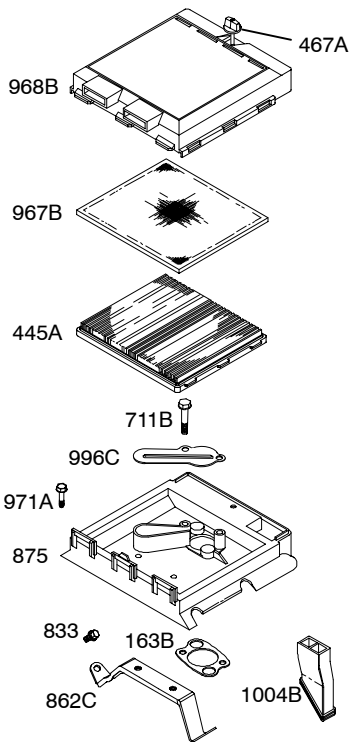
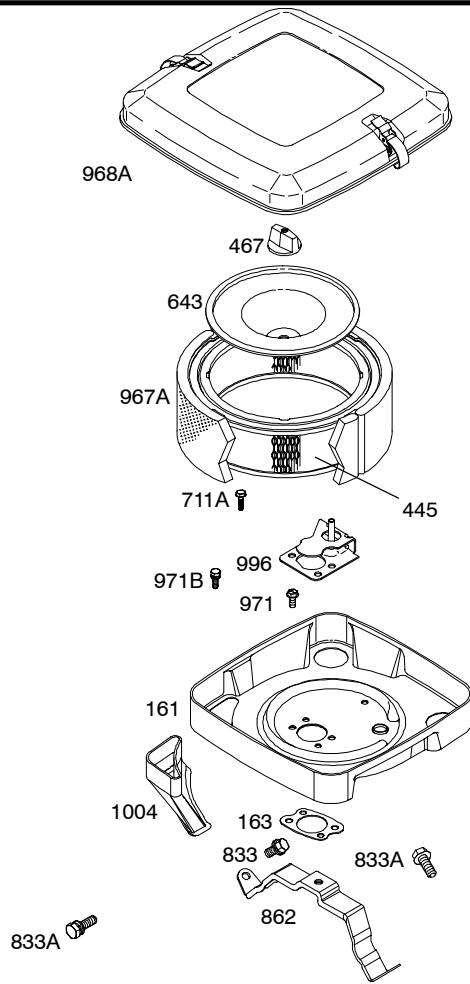
*Illustrations cover a range of engines. Parts shown without corresponding text may not be used on your specific engine.*

# 303400



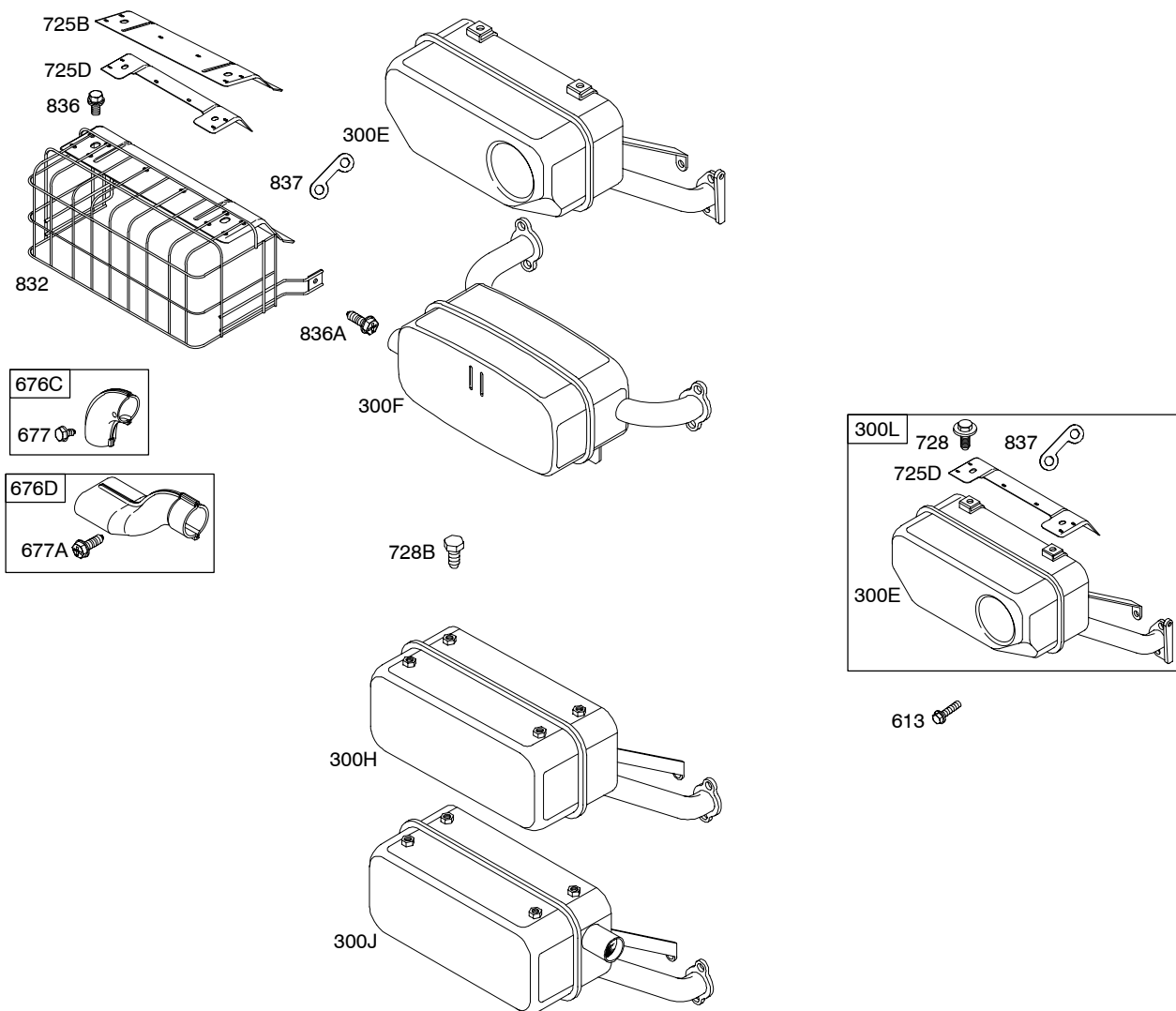
No information for high altitude jet on types : 1314 & 1319.

Illustrations cover a range of engines. Parts shown without corresponding text may not be used on your specific engine.



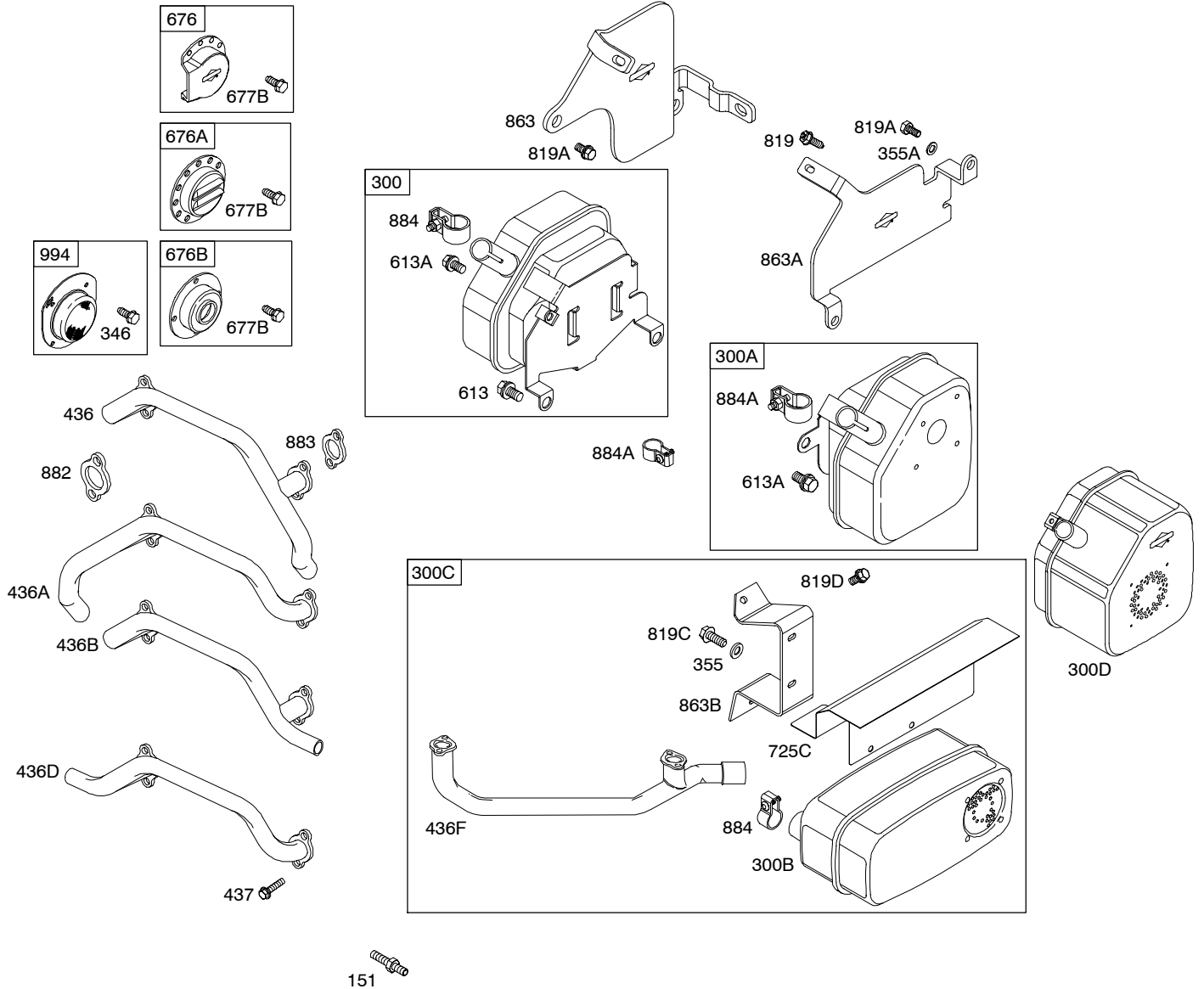
**Illustrations cover a range of engines. Parts shown without corresponding text may not be used on your specific engine.**  
**9691-7** Assemblies include all parts shown in frames. **11/21/2005**

# 303400

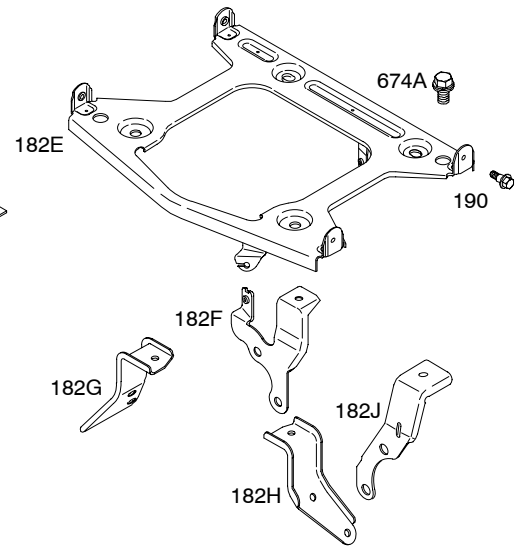
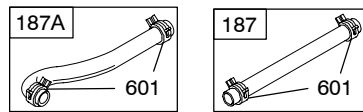
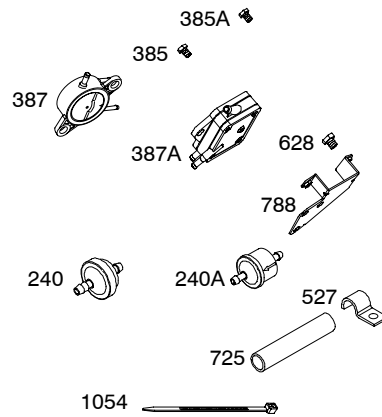
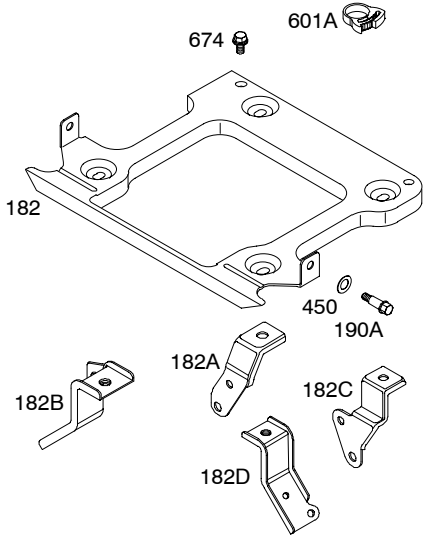
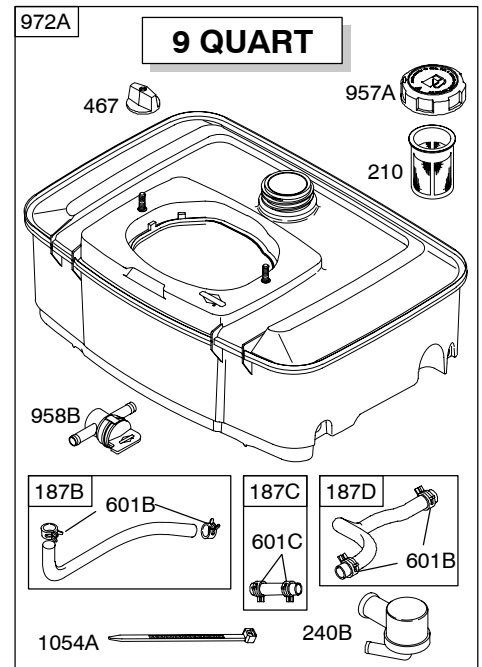
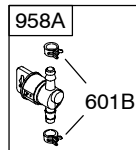
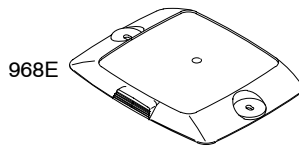
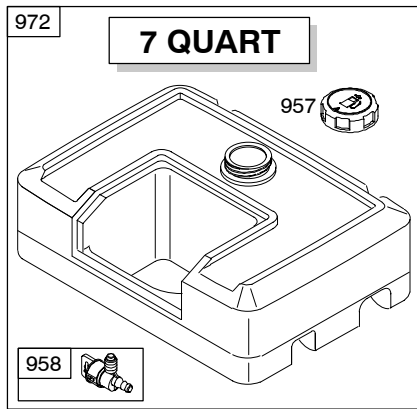


Illustrations cover a range of engines. Parts shown without corresponding text may not be used on your specific engine.  
9691-8 Assemblies include all parts shown in frames. 11/21/2005

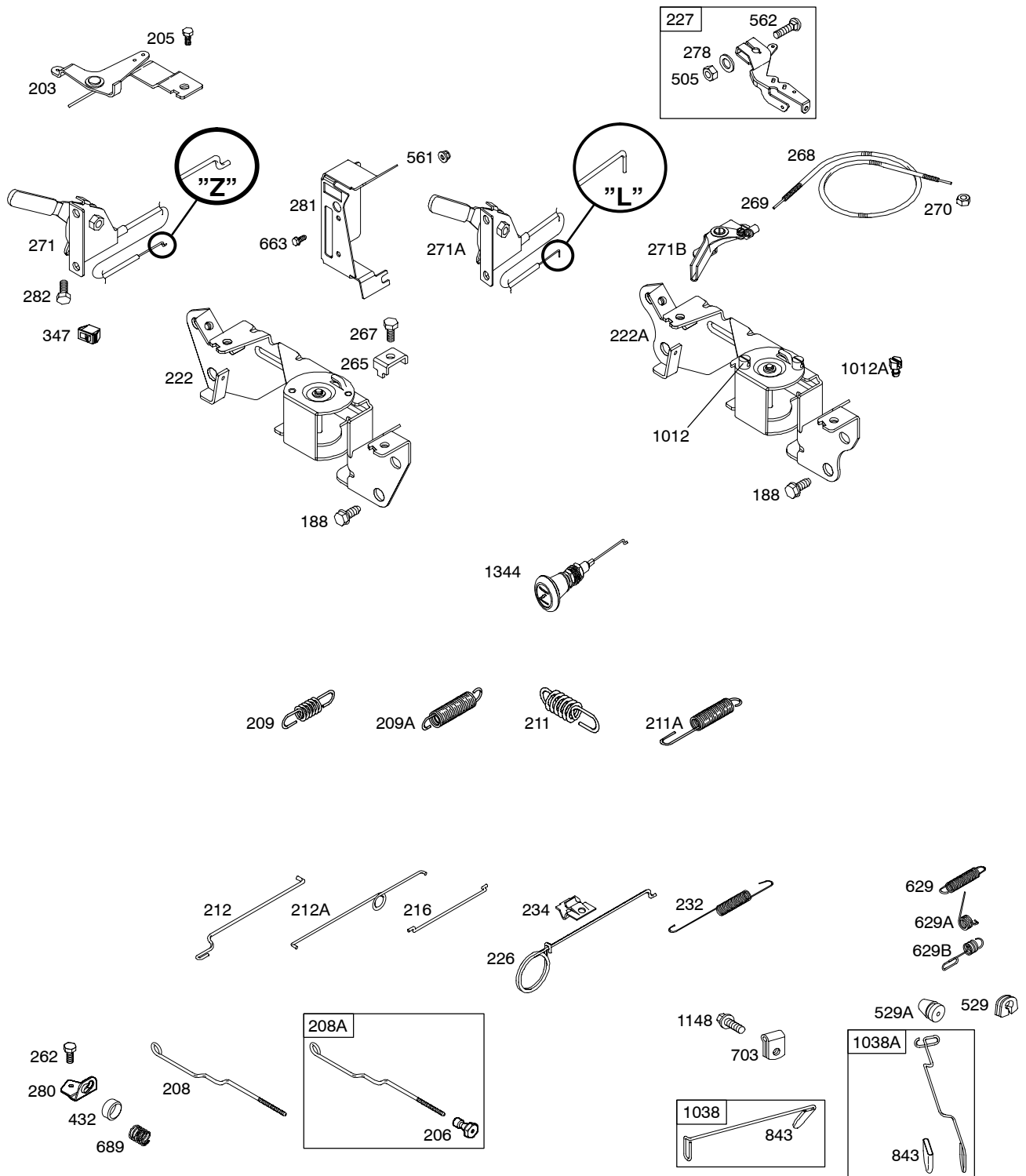




**303400**

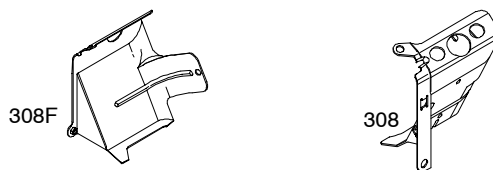
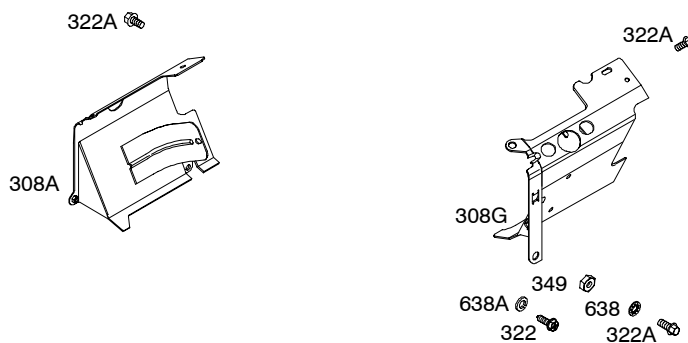
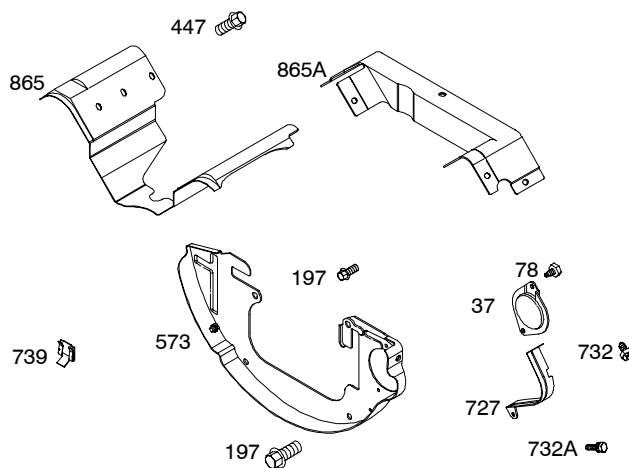


Illustrations cover a range of engines. Parts shown without corresponding text may not be used on your specific engine.  
 9691-10 Assemblies include all parts shown in frames. 11/21/2005

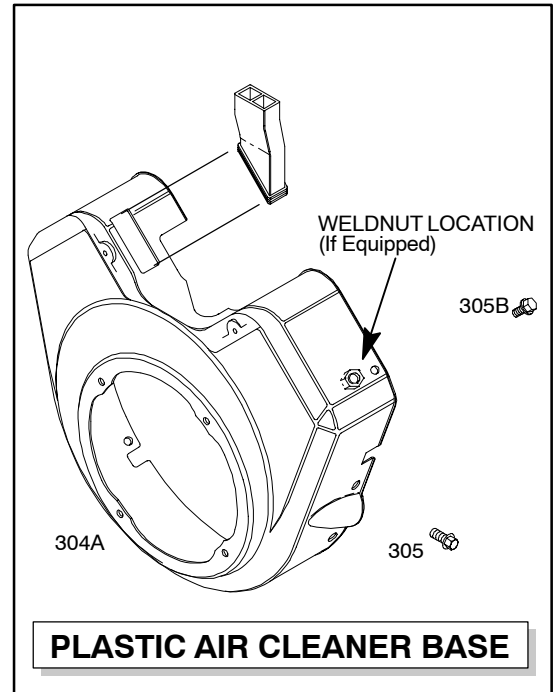
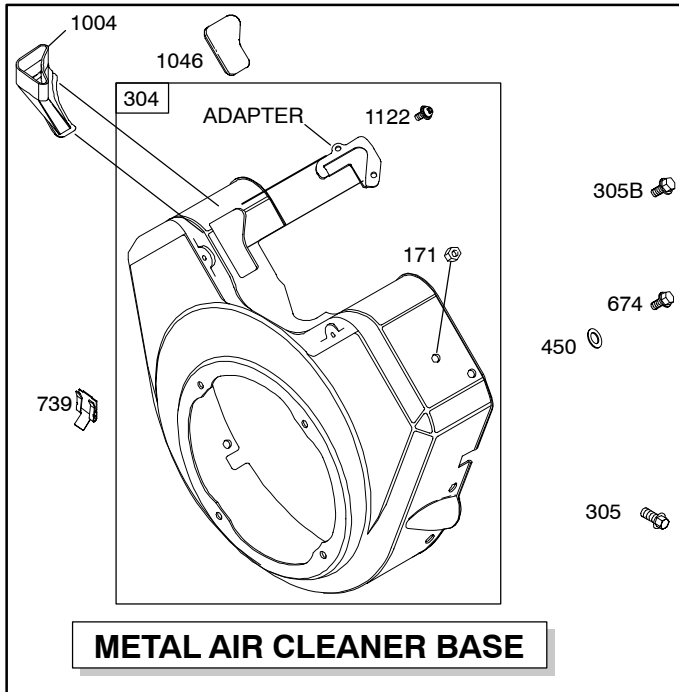


*Illustrations cover a range of engines. Parts shown without corresponding text may not be used on your specific engine.*  
 9691-11 Assemblies include all parts shown in frames. 11/21/2005

# 303400



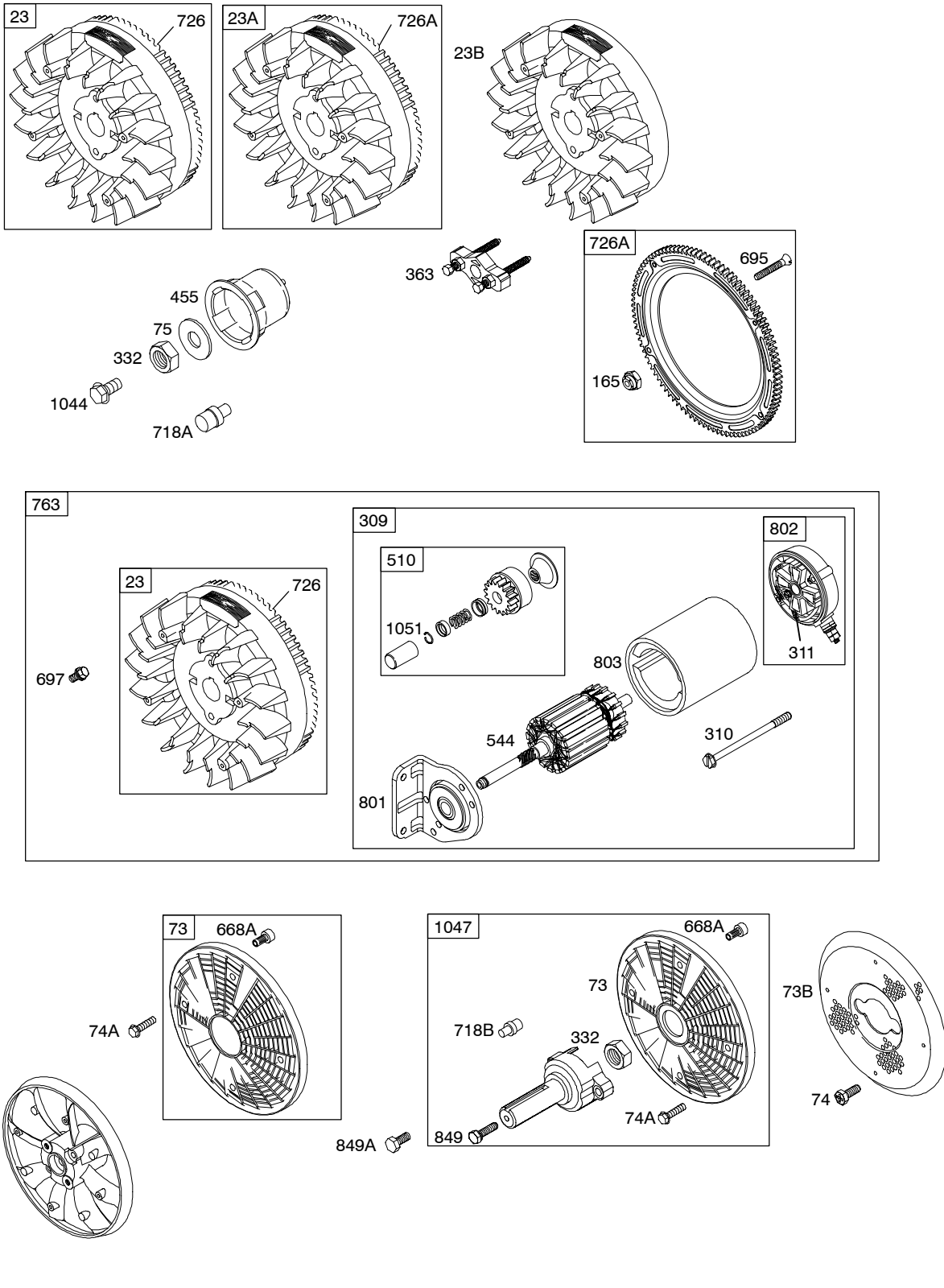
*Illustrations cover a range of engines. Parts shown without corresponding text may not be used on your specific engine.*



1036 EMISSION LABEL

*Illustrations cover a range of engines. Parts shown without corresponding text may not be used on your specific engine.*

**303400**

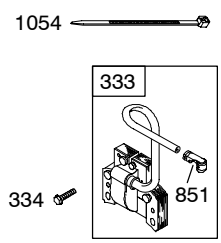
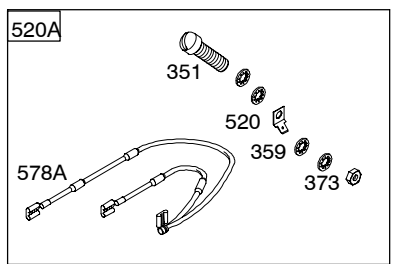
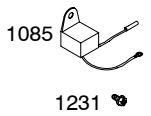
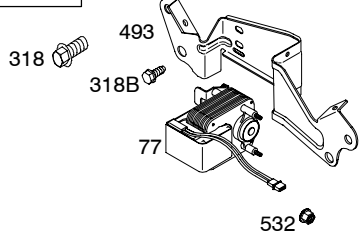
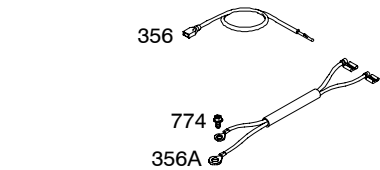
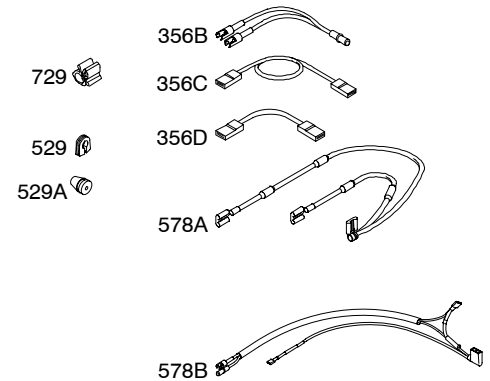
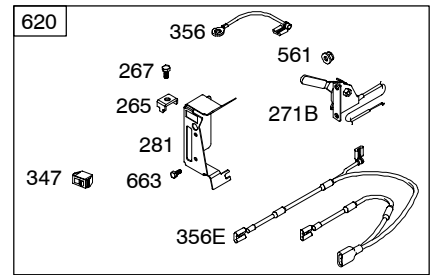
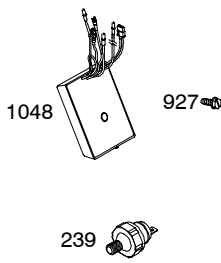
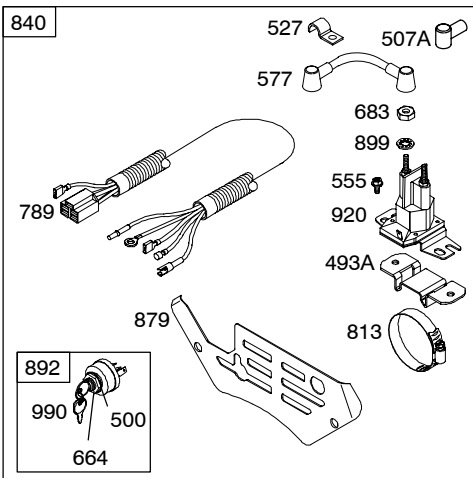
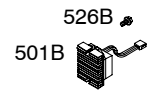


*Illustrations cover a range of engines. Parts shown without corresponding text may not be used on your specific engine.*



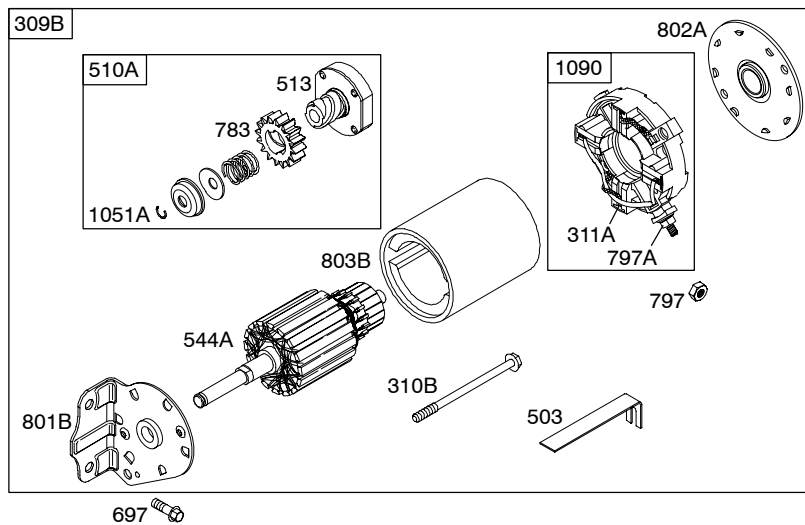
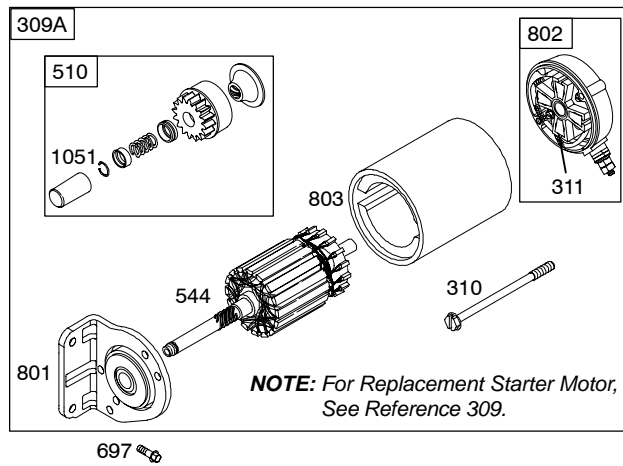
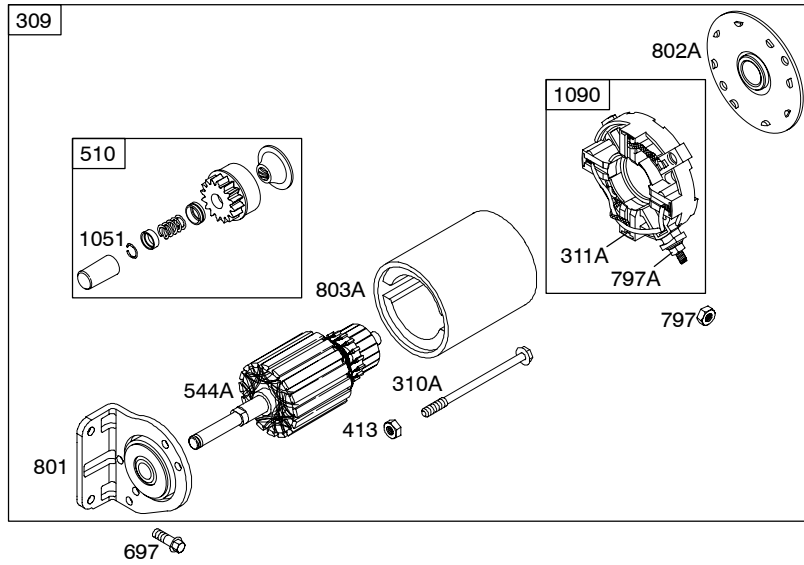
# 303400

	DUAL CIRCUIT	5 - 9 AMP	10 - 16 AMP
	474B	474C	474D
<b>NOTE: All stators use a No. 1119 mounting screw.</b>			



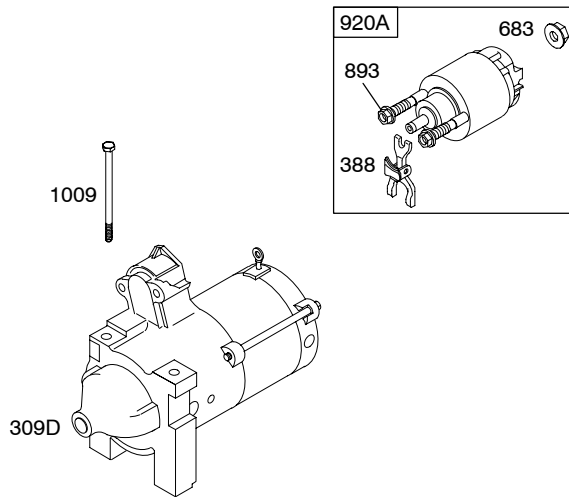
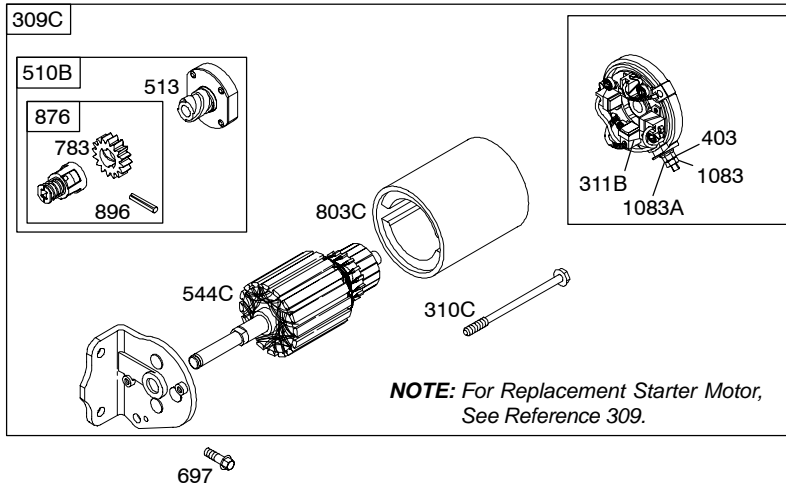
Illustrations cover a range of engines. Parts shown without corresponding text may not be used on your specific engine.





Illustrations cover a range of engines. Parts shown without corresponding text may not be used on your specific engine.

# 303400



*Illustrations cover a range of engines. Parts shown without corresponding text may not be used on your specific engine.*

**303400**

REF. NO.	PART NO.	DESCRIPTION	REF. NO.	PART NO.	DESCRIPTION	REF. NO.	PART NO.	DESCRIPTION
<b>1</b>	<b>692178</b>	Cylinder Assembly (Used After Code Date 97043000). ----- <b>Note</b> ----- <b>807521</b> Cylinder Assembly (Used Before Code Date 97050100). <b>841081</b> Cylinder Assembly Used on Type No(s). 1340, 1341.	<b>8</b>	<b>808984</b>	Breather Assembly (Used Before Code Date 04060100).		<b>692163</b>	Crankshaft (Used After Code Date 97043000). Used on Type No(s). 1019, 1025, 1031, 1033, 1042, 1044, 1049, 1060, 1074, 1078, 1087, 1104, 1105, 1108, 1111, 1114, 1116, 1119, 1120, 1127, 1129, 1131, 1141, 1167, 1168, 1175, 1176, 1177, 1189, 1194, 1195, 1196, 1198, 1208, 1231, 1250, 1251, 1252, 1257, 1262, 1283, 1314, 1319, 1320, 1326, 1345, 1378, 1403, 1409.
<b>2</b>	<b>808534</b>	Kit-Bushing/Seal (Magneto Side) (Used After Code Date 97043000). ----- <b>Note</b> ----- <b>807687</b> Kit-Bushing/Seal (Magneto Side) (Used Before Code Date 97050100).	<b>9</b>	<b>*809094</b>	Gasket-Breather			
			<b>10</b>	<b>690751</b>	Screw (Breather Assembly) (Used After Code Date 90111400). ----- <b>Note</b> ----- <b>805194</b> Screw (Breather Assembly) <b>692162</b> Crankshaft (Used After Code Date 97043000). Used on Type No(s). 1009, 1051, 1077, 1171, 1256, 1377. <b>807590</b> Crankshaft (Used Before Code Date 97050100). Used on Type No(s). 0021, 0041, 0044, 0049, 0051, 0077, 0309, 0351, 0377, 0474, 1009, 1051, 1077, 1171, 1174, 1256.			
<b>3</b>	<b>*805101s</b>	Seal-Oil (Magneto Side)	<b>11</b>	<b>691556</b>	Tube-Breather			
<b>5</b>	<b>809200</b>	Head-Cylinder (Cylinder 1)	<b>11A</b>	<b>806083s</b>	Tube-Breather			
<b>5A</b>	<b>809201</b>	Head-Cylinder (Cylinder 2)	<b>12</b>	<b>*691684</b>	Gasket-Crankcase			
<b>6</b>	<b>Δ842122</b>	Washer (Cylinder Head) (Used After Code Date 94043000). ----- <b>Note</b> ----- <b>805193</b> Washer (Cylinder Head) (Used Before Code Date 94050100).	<b>13</b>	<b>692059</b>	Screw (Cylinder Head)			
			<b>15</b>	<b>690946</b>	Plug-Oil Drain			
<b>7*</b>	<b>Δ806085s</b>	Gasket-Cylinder Head (Graphoil) (Used After Code Date 96033100).	<b>16</b>	<b>692161</b>	Crankshaft (Used After Code Date 97043000). ----- <b>Note</b> ----- <b>807589</b> Crankshaft (Used Before Code Date 97050100). <b>692159</b> Crankshaft (Used After Code Date 97043000). Used on Type No(s). 1128, 1142, 1220. <b>807586</b> Crankshaft (Used Before Code Date 97050100). Used on Type No(s). 0440, 1128, 1142, 1220.			
<b>7A</b>	<b>*Δ807986</b>	Gasket-Cylinder Head (Metal) (Used Before Code Date 96040100).						

\* Included in Engine Gasket Set-Ref. No. 358A.

● Included in Carburetor Overhaul Kit-Ref. No. 121, 121A or 121F.

Δ Included in Valve Gasket Set-Ref. No. 1095B.

*Illustrations cover a range of engines. Parts shown without corresponding text may not be used on your specific engine.*

**303400**

REF. NO.	PART NO.	DESCRIPTION	REF. NO.	PART NO.	DESCRIPTION	REF. NO.	PART NO.	DESCRIPTION
	<b>807745</b>	Crankshaft (Used Before Code Date 97050100). Used on Type No(s). 0022, 0027, 0028, 0035, 0036, 0037, 0042, 0044, 0052, 0054, 0060, 0061, 0074, 0078, 0084, 0085, 0092, 0123, 0129, 0130, 0136, 0312, 0313, 0315, 0317, 0319, 0321, 0325, 0327, 0339, 0342, 0344, 0350, 0352, 0354, 0360, 0362, 0365, 0366, 0373, 0374, 0378, 0382, 0385, 0391, 0392, 0394, 0396, 0397, 0399, 0404, 0405, 0415, 0416, 0417, 0419, 0420, 0425, 0427, 0428, 0430, 0435, 0450, 0453, 0458, 0464, 0475, 0476, 0477, 0481, 0488, 0489, 0494, 0495, 0496, 0498, 0501, 0502, 0505, 0518, 1012, 1013, 1015, 1017, 1019, 1021, 1025, 1031, 1033, 1042, 1044, 1049, 1054, 1060, 1062, 1066, 1073, 1074, 1078, 1087, 1094, 1104, 1105, 1108, 1111, 1114, 1116, 1118, 1119, 1120, 1127, 1129, 1131, 1133, 1141, 1158, 1159, 1164, 1167, 1168, 1175, 1176, 1177, 1181, 1189, 1194, 1195, 1196, 1198, 1205, 1208, 1218, 1231, 1250, 1251, 1252, 1257, 1262.		<b>692165</b>	Crankshaft (Used After Code Date 97043000). Used on Type No(s). 1232, 1293, 1346, 1412, 1413, 1421, 1425, 1432, 1434, 1449. <b>692166</b> Crankshaft (Used After Code Date 97043000). Used on Type No(s). 1162. <b>807849</b> Crankshaft (Used Before Code Date 97050100). Used on Type No(s). 0133, 0412, 0462, 1112, 1162. <b>692167</b> Crankshaft (Used After Code Date 97043000). Used on Type No(s). 1138, 1149, 1191, 1192, 1217. <b>807851</b> Crankshaft (Used Before Code Date 97050100). Used on Type No(s). 0138, 0139, 0438, 0439, 0491, 0492, 1138, 1149, 1191, 1192, 1217. <b>692168</b> Crankshaft (Used After Code Date 97043000). Used on Type No(s). 1180. <b>808056</b> Crankshaft (Used Before Code Date 97050100). Used on Type No(s). 0456, 0480, 1180. <b>692169</b> Crankshaft (Used After Code Date 97043000). Used on Type No(s). 1238.		<b>808296</b> Crankshaft (Used Before Code Date 97050100). Used on Type No(s). 1238. <b>808975</b> Crankshaft Used on Type No(s). 1348, 1381, 1410. <b>808740</b> Crankshaft Used on Type No(s). 1303, 1318, 1338, 1385. <b>17 690752</b> Bearing-Ball ----- <b>Note</b> ----- <b>691541</b> Bearing-Ball Used on Type No(s). 1238, 1256, 1313. <b>18 808847</b> Cover-Crankcase ----- <b>Note</b> ----- <b>808850</b> Cover-Crankcase Used on Type No(s). 0133, 0412, 1112, 1155, 1174. <b>808851</b> Cover-Crankcase Used on Type No(s). 1256, 1313. <b>808508</b> Cover-Crankcase Used on Type No(s). 1104, 1105, 1108, 1191, 1192, 1252, 1283, 1320, 1381, 1409, 1410. <b>808851</b> Cover-Crankcase (Used After Code Date 99072000). Used on Type No(s). 1238. <b>808850</b> Cover-Crankcase (Used Before Code Date 99072100). Used on Type No(s). 1238. <b>20 *805049s</b> Seal-Oil (PTO Side) <b>22 807362</b> Screw (Crankcase Cover/Sump)	

★ Included in Engine Gasket Set-Ref. No. 358A.

● Included in Carburetor Overhaul Kit-Ref. No. 121, 121A or 121F.

△ Included in Valve Gasket Set-Ref. No. 1095B.

*Illustrations cover a range of engines. Parts shown without corresponding text may not be used on your specific engine.*

**303400**

REF. NO.	PART NO.	DESCRIPTION	REF. NO.	PART NO.	DESCRIPTION	REF. NO.	PART NO.	DESCRIPTION
<b>23</b>	<b>808766</b>	Flywheel (Steel Ring Gear) ----- <b>Note</b> ----- <b>808774</b> Flywheel (Steel Ring Gear) Used on Type No(s). 1232, 1293, 1345, 1346, 1412, 1421, 1425, 1432, 1434. <b>808770</b> Flywheel (Steel Ring Gear) Used on Type No(s). 1057, 1110, 1236, 1278, 1295, 1306, 1311, 1322, 1331, 1348, 1384, 1416.	<b>32</b>	<b>690698</b>	Screw (Connecting Rod)			<b>809148</b> Camshaft Used on Type No(s). 1319.
			<b>33</b>	<b>807681</b>	Valve-Exhaust			<b>842064</b> Camshaft Used on Type No(s). 0129, 0130, 0138, 0139, 0438, 0439, 1138, 1149, 1217, 1345.
			<b>34</b>	<b>807680</b>	Valve-Intake			
			<b>35</b>	<b>692084</b>	Spring-Valve (Intake)			
			<b>36</b>	<b>692084</b>	Spring-Valve (Exhaust)			
			<b>37</b>	<b>690715</b>	Guard-Flywheel (Black) ----- <b>Note</b> ----- <b>805504</b> Guard- Flywheel (Red) <b>841309</b> Guard- Flywheel Used on Type No(s). 1019, 1027, 1028, 1030, 1033, 1034, 1059, 1069, 1095, 1102, 1116, 1130, 1134, 1138, 1167, 1169, 1176, 1223, 1238, 1275, 1277, 1293, 1299, 1303, 1320, 1326, 1327, 1338, 1343, 1346, 1348, 1381, 1403, 1409, 1410, 1412, 1413, 1420, 1421, 1422, 1425, 1429, 1432, 1434, 1439, 1449, 1450.			<b>50</b> <b>690754</b> Manifold-Intake
<b>23A</b>		Flywheel (For Replacement Flywheel, Order Part Number <b>808190</b> ) ----- <b>Note</b> ----- <b>692158</b> Flywheel (Aluminum Ring Gear) Used on Type No(s). 1041, 1057, 1278, 1295.				<b>50A</b>	<b>692124</b>	Manifold-Intake Used on Type No(s). 1279, 1381, 1409, 1410.
<b>23B</b>	<b>690889</b>	Flywheel (Rewind Starter)				<b>51A</b>	<b>692035</b>	Gasket-Intake (Manifold to Head)
<b>25</b>	<b>807619</b>	Piston Assembly (Standard) ----- <b>Note</b> ----- <b>807809</b> Piston Assembly (.020" Oversize)				<b>51C</b>	<b>691694</b>	Gasket-Intake (Carburetor To Manifold)
<b>26</b>	<b>807620</b>	Ring Set (Standard) ----- <b>Note</b> ----- <b>807810</b> Ring Set (.020" Oversize)	<b>39</b>	<b>690745</b>	Deflector-Oil (Used After Code Date 98050700).	<b>54</b>	<b>690676</b>	Screw (Intake Manifold)
<b>27</b>	<b>690683</b>	Lock-Piston Pin	<b>40</b>	<b>692058</b>	Retainer-Valve	<b>55</b>	<b>691568</b>	Housing-Rewind Starter
<b>28</b>	<b>807621</b>	Pin-Piston (Standard)	<b>42</b>	<b>807683</b>	Keeper-Valve	<b>55B</b>	<b>492193</b>	Housing-Rewind Starter
<b>29</b>	<b>807900s</b>	Rod-Connecting (Standard) ----- <b>Note</b> ----- <b>807803</b> Rod- Connecting (.020" Undersize)	<b>45</b>	<b>690977</b>	Tappet-Valve	<b>56</b>	<b>692085</b>	Pulley-Starter
			<b>46</b>	<b>691557</b>	Camshaft ----- <b>Note</b> ----- <b>692157</b> Camshaft Used on Type No(s). 0404, 0405, 0491, 0492, 1104, 1105, 1108, 1191, 1192, 1252, 1283, 1320, 1381, 1409, 1410.	<b>56A</b>	<b>280918</b>	Pulley-Starter
						<b>56B</b>	<b>281235</b>	Pulley-Starter Used on Type No(s). 0448.
						<b>57</b>	<b>692086</b>	Spring-Rewind Starter
						<b>57A</b>	<b>492194</b>	Spring-Rewind Starter
						<b>58</b>	<b>66574</b>	Rope-Starter (Cut To Required Length)
						<b>58A</b>	<b>695002</b>	Rope-Starter (Cut To Required Length)
						<b>59</b>	<b>805957</b>	Insert-Grip
						<b>59A</b>	<b>490653</b>	Insert-Grip
						<b>60</b>	<b>808167</b>	Grip-Starter Rope
						<b>60A</b>	<b>490652</b>	Grip-Starter Rope
						<b>65</b>	<b>691982</b>	Screw (Rewind Starter)
						<b>65A</b>	<b>841233</b>	Screw (Rewind Starter) (Used After Code Date 03120900).

★ Included in Engine Gasket Set-Ref. No. 358A.

● Included in Carburetor Overhaul Kit-Ref. No. 121, 121A or 121F.

△ Included in Valve Gasket Set-Ref. No. 1095B.

*Illustrations cover a range of engines. Parts shown without corresponding text may not be used on your specific engine.*

**303400**

REF. NO.	PART NO.	DESCRIPTION	REF. NO.	PART NO.	DESCRIPTION	REF. NO.	PART NO.	DESCRIPTION
73	494439	Screen-Rotating (Flush)	98A	808981	Kit-Idle Speed Used on Type No(s). 1408.	118A	807012	Jet-Main (High Altitude) (5,000 - 7,500 Feet) Used on Type No(s). 1381, 1410.
73B	690478	Screen-Rotating	102A	●692077	Gasket-Carburetor Body			----- <b>Note</b> -----
74	691655	Screw (Rotating Screen)	104	●690723	Pin-Float Hinge			<b>807011</b> Jet-Main (High Altitude) (Over 7,500 Feet) Used on Type No(s). 1381, 1410.
74A	691647	Screw (Rotating Screen)	105A	●805620	Valve-Float Needle (Gravity Feed)			
75	691490	Washer (Flywheel)	108A	690719	Valve-Choke			
77	690819	Motor-Servo	109A	808962	Shaft-Choke Used on Type No(s). 1314, 1319, 1320, 1326, 1409.	119	690720	Screw (Upper To Lower Carburetor Body) ----- <b>Note</b> -----
78	690688	Screw (Flywheel Guard)	109B	809096	Shaft-Choke			<b>842237</b> Screw (Upper To Lower Carburetor Body) Used on Type No(s). 1314, 1319, 1348.
91	809208	Body-Upper Carburetor ----- <b>Note</b> -----	110	806861	Washer (Choke Shaft)			
		<b>808964</b> Body-Upper Carburetor Used on Type No(s). 1314, 1319, 1320, 1326, 1409.	117B	●690862	Jet-Main (Standard) ----- <b>Note</b> -----	121	809022	Kit-Carburetor Overhaul
		<b>808980</b> Body-Upper Carburetor Used on Type No(s). 1381, 1410.			<b>806859</b> Jet-Main (Standard) Used on Type No(s). 1320, 1409.	121A	809021	Kit-Carburetor Overhaul Used on Type No(s). 1023, 1027, 1028, 1030, 1033, 1034, 1049, 1057, 1068, 1095, 1116, 1130, 1134, 1138, 1140, 1145, 1149, 1169, 1171, 1172, 1194, 1214, 1223, 1231, 1236, 1237, 1238, 1251, 1255, 1258, 1275, 1276, 1277, 1285, 1298, 1299, 1300, 1303, 1306, 1311, 1312, 1313, 1318, 1322, 1323, 1327, 1330, 1331, 1338, 1341, 1343, 1345, 1368, 1408, 1420, 1425, 1427, 1429, 1434, 1435, 1439, 1440, 1450.
94	●808257	Kit-Idle Mixture			<b>690741</b> Jet-Main (Standard) Used on Type No(s). 1236, 1311, 1331.			
95	690718	Screw (Throttle Valve)			<b>690880</b> Jet-Main (Standard) Used on Type No(s). 1326.			
97	809007	Shaft-Throttle (Used After Code Date 00071100). ----- <b>Note</b> -----			<b>842238</b> Jet-Main (Standard) Used on Type No(s). 1348.			
		<b>807720</b> Shaft-Throttle (Used Before Code Date 00071200).			<b>842318</b> Jet-Main (Standard) Used on Type No(s). 1314, 1319.			
		<b>841498</b> Shaft-Throttle Used on Type No(s). 1326.	118	●842311	Jet-Main (High Altitude) (8500 Feet) ----- <b>Note</b> -----			
97A	808973	Shaft-Throttle Used on Type No(s). 1408.			<b>807114</b> Jet-Main (High Altitude) Used on Type No(s). 1320, 1409.			
97D	809095	Shaft-Throttle Used on Type No(s). 1320, 1381, 1409, 1410.						
98	808177	Kit-Idle Speed ----- <b>Note</b> -----						
		<b>807923</b> Kit-Idle Speed Used on Type No(s). 1331.						

★ Included in Engine Gasket Set-Ref. No. 358A.

● Included in Carburetor Overhaul Kit-Ref. No. 121, 121A or 121F.

△ Included in Valve Gasket Set-Ref. No. 1095B.

*Illustrations cover a range of engines. Parts shown without corresponding text may not be used on your specific engine.*

**303400**

REF. NO.	PART NO.	DESCRIPTION	REF. NO.	PART NO.	DESCRIPTION	REF. NO.	PART NO.	DESCRIPTION
121F	809023	Kit-Carburetor Overhaul Used on Type No(s). 1409, 1410, 1413.		809014	Carburetor (Gravity Feed With Solenoid) Used on Type No(s). 1112, 1210, 1235, 1237, 1285.	161	691561	Base-Air Cleaner (Metal) ----- <b>Note</b> ----- <b>690909</b> Base-Air Cleaner (Metal) Used on Type No(s). 0452, 0463, 0468, 0490, 0493, 1131, 1152, 1188, 1190, 1193, 1269, 1291, 1292, 1296, 1297, 1315, 1334, 1335, 1344, 1381, 1410, 1420, 1422, 1428, 1433, 1436, 1437, 1444.
122	690691	Spacer-Carburetor		808972	Carburetor Used on Type No(s). 1408.	161B	808414	Base-Air Cleaner (Metal)
125B	809011	Carburetor (Pump Feed Without Solenoid) ----- <b>Note</b> ----- <b>809016</b> Carburetor (Pump Feed Without Solenoid) Used on Type No(s). 0393, 1182, 1236, 1311, 1331. <b>809013</b> Carburetor (Gravity Feed Without Solenoid) Used on Type No(s). 1008, 1012, 1017, 1021, 1023, 1025, 1027, 1028, 1030, 1031, 1033, 1034, 1035, 1036, 1040, 1041, 1047, 1048, 1049, 1054, 1055, 1057, 1058, 1062, 1066, 1068, 1070, 1072, 1073, 1076, 1087, 1094, 1095, 1107, 1111, 1113, 1114, 1116, 1118, 1124, 1130, 1131, 1134, 1138, 1140, 1141, 1144, 1145, 1148, 1149, 1157, 1158, 1159, 1169, 1171, 1172, 1174, 1178, 1181, 1191, 1192, 1194, 1208, 1214, 1217, 1218, 1219, 1223, 1231, 1238, 1240, 1246, 1251, 1255, 1258, 1262, 1267, 1275, 1276, 1277, 1298, 1299, 1300, 1303, 1323, 1327, 1341, 1343, 1345, 1368, 1427, 1434, 1439, 1450.		808979	Carburetor Used on Type No(s). 1381, 1410.	163	★692081	Gasket-Air Cleaner
				809152	Carburetor Used on Type No(s). 1320, 1409.	163B	★692052	Gasket-Air Cleaner ----- <b>Note</b> ----- <b>841823</b> Gasket-Air Cleaner Used on Type No(s). 1348.
				842235	Carburetor Used on Type No(s). 1348.	165	693148	Nut (Ring Gear)
			127	●690727	Plug-Welch	167	692297	Seal-Air Cleaner Nut
			130A	690726	Valve-Throttle	171	810056	Nut (Air Cleaner)
			133A	806961	Float-Carburetor	182	492317	Bracket-Fuel Tank
			142A	●690725	Nozzle-Carburetor (Standard) ----- <b>Note</b> ----- <b>842319</b> Nozzle-Carburetor (Standard) Used on Type No(s). 1314, 1319.	182A	690778	Bracket-Fuel Tank
						182B	690779	Bracket-Fuel Tank
			142B	●806860	Nozzle-Carburetor (Standard) Used on Type No(s). 1381, 1409, 1410. ----- <b>Note</b> ----- <b>806987</b> Nozzle-Carburetor (Standard) Used on Type No(s). 1326.	182C	690780	Bracket-Fuel Tank
						182D	690781	Bracket-Fuel Tank
			146	691639	Key-Timing	182E	841601	Bracket-Fuel Tank
			151	841185	Stud (Exhaust Manifold)	182F	691520	Bracket-Fuel Tank
						182G	841600	Bracket-Fuel Tank
						182H	691524	Bracket-Fuel Tank
						182J	691525	Bracket-Fuel Tank

★ Included in Engine Gasket Set-Ref. No. 358A.

● Included in Carburetor Overhaul Kit-Ref. No. 121, 121A or 121F.

△ Included in Valve Gasket Set-Ref. No. 1095B.

*Illustrations cover a range of engines. Parts shown without corresponding text may not be used on your specific engine.*

### 303400

REF. NO.	PART NO.	DESCRIPTION	REF. NO.	PART NO.	DESCRIPTION	REF. NO.	PART NO.	DESCRIPTION
187	791745	Line-Fuel (Cut To Required Length) ----- <b>Note</b> ----- 791766 Line-Fuel (Cut To Required Length) Used on Type No(s). 1340, 1344, 1347, 1348, 1381, 1385, 1387, 1420, 1429, 1436, 1444, 1449, 1454.	209	692070	Spring-Governor ----- <b>Note</b> ----- 691506 Spring-Governor Used on Type No(s). 0022, 0028, 0036, 0037, 0042, 0044, 0052, 0078, 0129, 0130, 0342, 0344, 0352, 0378, 0396, 0415, 0425, 0450, 0462, 0494, 0498, 1042, 1044, 1078, 1162, 1194, 1198, 1257, 1378. 691507 Spring-Governor Used on Type No(s). 0326, 1026, 1270, 1314, 1319, 1326, 1330, 1426, 1454. 690710 Spring-Governor Used on Type No(s). 0493, 1193, 1291, 1334. 692071 Spring-Governor Used on Type No(s). 0064, 0093, 0132, 0364, 0393, 0440, 0443, 0482, 0486, 1018, 1052, 1064, 1093, 1128, 1131, 1142, 1143, 1153, 1182, 1186, 1220, 1236, 1272, 1281, 1290, 1344.	691508		Spring-Governor Used on Type No(s). 0045, 0345, 0423, 0446, 0451, 0456, 0480, 0497, 1151, 1157, 1170, 1180, 1197, 1200, 1224, 1232, 1269, 1282, 1297, 1316, 1337, 1412, 1413, 1421, 1425, 1432, 1434, 1443, 1445, 1449. 692072 Spring-Governor Used on Type No(s). 0411, 0479, 1125, 1179, 1227, 1242, 1247, 1296, 1308, 1315, 1428, 1436, 1437. 690716 Spring-Governor Used on Type No(s). 0369, 0386, 0433, 1069, 1086, 1095, 1210, 1237, 1278, 1348, 1429. 805630 Spring-Governor Used on Type No(s). 0129, 0130, 0138, 0139, 0438, 0439, 1138, 1149, 1217. 806869 Spring-Governor Used on Type No(s). 1408.
187A	791801	Line-Fuel (Molded)						
187B	692107	Line-Fuel						
187C	692106	Line-Fuel						
187D	692108	Line-Fuel						
188	692056	Screw (Control Bracket)						
190	692199	Screw (Fuel Tank) ----- <b>Note</b> ----- 692056 Screw (Fuel Tank) Used on Type No(s). 1338.						
190A	94536	Screw (Fuel Tank)						
192	807623	Adjuster-Rocker Arm						
197	807163	Screw (Back Plate)						
203	690923	Crank-Bell						
205	692083	Screw (Bell Crank)						
206	691244	Nut-Governor Adjusting						
208	691549	Rod-Governor Control (Used After Code Date 96033100).						
208A	808453	Rod-Governor Control						

★ Included in Engine Gasket Set-Ref. No. 358A.

● Included in Carburetor Overhaul Kit-Ref. No. 121, 121A or 121F.

△ Included in Valve Gasket Set-Ref. No. 1095B.

*Illustrations cover a range of engines. Parts shown without corresponding text may not be used on your specific engine.*





### 303400

REF. NO.	PART NO.	DESCRIPTION	REF. NO.	PART NO.	DESCRIPTION	REF. NO.	PART NO.	DESCRIPTION
270	691027	Nut (Control Wire Casing)	300A	807742	Muffler (Cylinder 2) (Side Outlet)	308	841183	Cover-Cylinder Head (Cylinder 1)(Black) (Used After Code Date 93072200).
271	692541	Lever-Control (Cable Wire With "Z" Formed End)	300B	498984s	Muffler (Super Lo Tone)			----- <b>Note</b> -----
271A	692105	Lever-Control (Cable Wire With "L" Formed End )	300C	807752	Muffler (Low Mount)			<b>807656</b> Cover- Cylinder Head (Cylinder 1)(Black) (Used Before Code Date 93072300).
271B	691028	Lever-Control	300D	692099	Muffler (Low Mount)			<b>841182</b> Cover- Cylinder Head (Cylinder 2)(Black) Used on Type No(s). 1252, 1343, 1344, 1345, 1346, 1444, 1450.
273	690681	Seal-O Ring (Oil Pump)	300E	690906	Muffler (Cylinder 1) (Side Outlet) (Starter Motor Side)			<b>841316</b> Cover- Cylinder Head (Cylinder 2) Used on Type No(s). 1454.
276	690704	Washer-Sealing	300F	690931	Muffler (Hi Mount) (Starter Side Exit)	308A	806544	Cover-Cylinder Head (Cylinder 2)(Black)
276A	★△807085	Washer-Sealing (Cylinder Head) (Used After Code Date 01120200). ----- <b>Note</b> ----- <b>691766</b> Washer- Sealing (Cylinder Head) (Used Before Code Date 01120300).	300H	807831	Muffler (Cylinder 1) (Side Outlet) (Starter Motor Side)	308F	841317	Cover-Cylinder Head (Cylinder 1)
276B	●690724	Washer-Sealing (Carburetor Plug)	300J	807799	Muffler (Cylinder 2) (Side Outlet) (Oil Filter Side)	308G	692805	Cover-Cylinder Head (Cylinder 2)(Black) (Used After Code Date 93072200). ----- <b>Note</b> ----- <b>807869</b> Cover- Cylinder Head (Cylinder 1)(Black) (Used After Code Date 90111600 and Before Code Date 93072300).
276C	806137	Washer-Sealing (Solenoid) Used on Type No(s). 1236, 1252, 1311, 1331, 1334, 1347, 1387, 1409, 1436, 1445, 1454.	300L	808380	Muffler (Cylinder 1) (Side Outlet) (Starter Motor Side)			<b>807657</b> Cover- Cylinder Head (Cylinder 2)(Black) (Used Before Code Date 90111700).
276F	●693497	Washer-Sealing	304	808055	Housing-Blower (Red) (Without Weld Nut) (For Metal Air Cleaner)	309	691564	Motor-Starter (Steel Ring Gear Only)
278	842122	Washer (Governor Control Lever)	304A	808408	Housing-Blower (Black) (Without Weld Nut) (For Plastic Air Cleaner Base)	309A		Motor-Starter (For Replacement Starter Motor, Order Reference 309)
280	691526	Bracket-Rod	305	841233	Screw (Blower Housing) ----- <b>Note</b> ----- <b>692056</b> Screw (Blower Housing) (14 mm Long)			
281	690742	Panel-Control			<b>807163</b> Screw (Blower Housing) (10mm Long)			
282	692083	Screw (Control Lever)	305B	692062	Screw (Blower Housing) (18mm Long)			
287	806660	Screw (Dipstick Tube) (Special)						
287A	692062	Screw (Dipstick Tube)						
300		Muffler (For Replacement Muffler, Use <b>692099</b> )						

★ Included in Engine Gasket Set-Ref. No. 358A.

● Included in Carburetor Overhaul Kit-Ref. No. 121, 121A or 121F.

△ Included in Valve Gasket Set-Ref. No. 1095B.

*Illustrations cover a range of engines. Parts shown without corresponding text may not be used on your specific engine.*

**303400**

REF. NO.	PART NO.	DESCRIPTION	REF. NO.	PART NO.	DESCRIPTION	REF. NO.	PART NO.	DESCRIPTION
309B	499521	Motor-Starter (For Aluminum Ring Gear Only)	337	491055s	Plug-Spark ----- <b>Note</b> -----	349	690238	Nut (Cylinder Head Cover)
309C		Motor-Starter (Services Aluminum Ring Gear Only)(For Replacement See Reference 309)		496018s	Plug-Spark Used on Type No(s). 0411, 0451, 0452, 0456, 0479, 0480, 0482, 0483, 1151, 1152, 1179, 1182, 1183, 1188, 1200, 1236, 1282, 1331.	351	691615	Screw (Ground Terminal)
309D	808817	Motor-Starter Used on Type No(s). 1340, 1341.		792015	Plug-Spark Used on Type No(s). 1019, 1023, 1026, 1029, 1033, 1034, 1046, 1049, 1068, 1074, 1075, 1077, 1078, 1079, 1105, 1116, 1130, 1145, 1167, 1168, 1169, 1171, 1176, 1177, 1206, 1223, 1228, 1231, 1239, 1256, 1258, 1270, 1288, 1291, 1292, 1293, 1294, 1295, 1296, 1297, 1298, 1300, 1302, 1308, 1312, 1313, 1315, 1316, 1323, 1327, 1328, 1334, 1335, 1336, 1337, 1340, 1341, 1346, 1347, 1368, 1375, 1377, 1378, 1379, 1382, 1387, 1403, 1409, 1410, 1412, 1413, 1421, 1425, 1428, 1432, 1433, 1434, 1436, 1437, 1438, 1443, 1444, 1445, 1448, 1449, 1454.	355	842122	Washer (Muffler Bracket)
310	496880	Screw (Starter Motor) (4 1/4" Long)				355A	690944	Washer (Muffler Bracket)
310A	690323	Screw (Starter Motor) (4 7/16" Long)				356	690796	Wire-Stop
310B	691263	Screw (Starter Motor) (4 3/16" Long)				356A	690809	Wire-Stop (2 Wires, 10-3/4", And 12-1/2" Long, Connected By Shrink Tube)(Insulated Flag Female Blade Terminal, And 2 Ring Terminals)
310C	692329	Screw (Starter Motor) (5-3/8" Long)				356B	692961	Wire-Stop
311	496887	Brush Set				356C	807593	Wire-Stop (Cylinder 2)
311A	497608	Brush Set				356D	807594	Wire-Stop (Cylinder 1)
311B	490311	Brush Set (For 4 9/16" Housing Length)				356E	691999	Wire-Stop (Ignition Coil)
318	806870	Screw (Mounting Bracket)				357	691483	Key-Drive Pulley
318A	691982	Screw (Mounting Bracket)				358A	842722	Gasket Set-Engine (Used After Code Date 01120200). ----- <b>Note</b> -----
318B	690932	Screw (Mounting Bracket)					808390	Gasket Set-Engine (Used Before Code Date 01120300).
321	690379	Fan-Booster				359	691077	Washer (Ground Terminal)
322	841233	Screw (Cylinder Head Cover)				363	19203	Puller-Flywheel
322A	692067	Screw (Cylinder Head Cover)				365A	690711	Screw (Carburetor)
331	691075	Washer (Booster Fan)				373	691612	Nut (Ground Terminal)
332	690887	Nut (Flywheel)	338	★△691312	Gasket-Dipstick	373A	690713	Nut (Ground Terminal)
333	492341	Armature-Magneto	346	690661	Screw (Spark Arrestor)	377	808095	Key-Woodruff
334	692066	Screw (Magneto Armature)	347	691995	Switch-Rocker (Without Light)	383	19374s	Wrench-Spark Plug ----- <b>Note</b> -----
							19576s	Wrench-Spark Plug Used on Type No(s). 1206, 1228, 1297, 1316, 1328, 1337, 1347, 1413, 1433, 1438, 1443, 1444, 1445, 1448, 1449.

★ Included in Engine Gasket Set-Ref. No. 358A.

● Included in Carburetor Overhaul Kit-Ref. No. 121, 121A or 121F.

△ Included in Valve Gasket Set-Ref. No. 1095B.

*Illustrations cover a range of engines. Parts shown without corresponding text may not be used on your specific engine.*

### 303400

REF. NO.	PART NO.	DESCRIPTION	REF. NO.	PART NO.	DESCRIPTION	REF. NO.	PART NO.	DESCRIPTION
385	807084	Screw (Fuel Pump) ----- <b>Note</b> ----- <b>692537</b> Screw (Fuel Pump) Used on Type No(s). 1434.	439	★692154	Seal-O Ring (Crankcase Cover/Sump) (Used After Code Date 97043000). ----- <b>Note</b> ----- <b>805198</b> Seal-O Ring (Crankcase Cover/Sump) (Used Before Code Date 97050100).	474B	696459	Alternator Used on Type No(s). 1293, 1346, 1412, 1421, 1425, 1432, 1434.
385A	693169	Screw (Fuel Pump)	440	690335	Screw (Booster Fan)	474C	696457	Alternator (5 To 9 Amp Regulated) ----- <b>Note</b> ----- <b>696458</b> Alternator Used on Type No(s). 1236, 1252, 1344, 1347, 1387, 1436, 1444.
387	808656	Pump-Fuel	440A	690342	Screw (Booster Fan)	474D	696579	Alternator (20 Amp) Used on Type No(s). 1057, 1110, 1236, 1278, 1295, 1306, 1311, 1322, 1331, 1348, 1384, 1416.
387A	808969	Pump-Fuel Used on Type No(s). 1179, 1180, 1233, 1282, 1408.	445	394018s	Filter-Air Cleaner Cartridge	479	807084	Screw (Oil Pump Screen)
388	820799	Lever-Pinion Drive Used on Type No(s). 1340, 1341.	445A	805113	Filter-Air Cleaner Cartridge	493	691518	Bracket-Mounting
403	690288	Washer (End Cap)	445B	393957s	Filter-Air Cleaner Cartridge	493A	691177	Bracket-Mounting (Regulator)
413	693587	Nut (Starter Motor)	447	841233	Screw (Air Guide Cover)	493B	691503	Bracket-Mounting
415	690283	Plug (Intake Manifold)	450	806497	Washer (Fuel Tank Bracket)	500	691086	Washer (Key Switch)
432	691509	Cap-Spring	455	691517	Cup-Flywheel (Used After Code Date 93072500). ----- <b>Note</b> ----- <b>805153</b> Cup-Flywheel (Used Before Code Date 93072600).	501	691185	Regulator (10 Amp Regulator)
436	692061	Manifold-Exhaust (Cylinder 2) (Side Outlet)	456	691529	Plate-Pawl Friction	501A	691188	Regulator (5 To 9 Amp Regulated)
436A	691499	Manifold-Exhaust (Cylinder 2) (Side Outlet)	456A	224228	Plate-Pawl Friction	501B	691573	Regulator (20 Amp) Used on Type No(s). 1041, 1057, 1110, 1236, 1278, 1295, 1322, 1331, 1348, 1384.
436B	691501	Manifold-Exhaust (Cylinder 1) (Side Outlet)	459	808166	Pawl-Ratchet			
436D	691502	Manifold-Exhaust (Used With Muffler Supplied By Customer)	459A	492431	Pawl-Ratchet			
436F	805609	Manifold-Exhaust (Used With Muffler Supplied By Customer)	467	691985	Knob-Air Cleaner			
437	691902	Screw (Exhaust Manifold)	467A	690895	Knob-Air Cleaner			
			467B	691668	Knob-Air Cleaner			
			468	★690690	Seal-O Ring (Oil Pump Screen)			

★ Included in Engine Gasket Set-Ref. No. 358A.

● Included in Carburetor Overhaul Kit-Ref. No. 121, 121A or 121F.

△ Included in Valve Gasket Set-Ref. No. 1095B.

*Illustrations cover a range of engines. Parts shown without corresponding text may not be used on your specific engine.*

**303400**

REF. NO.	PART NO.	DESCRIPTION	REF. NO.	PART NO.	DESCRIPTION	REF. NO.	PART NO.	DESCRIPTION
503	691532	Strap-Starter	525C	690897	Tube-Dipstick (Used Before Code Date 98060100).	552A	806686	Bushing-Governor Crank (Flanged)
505	690238	Nut (Governor Control Lever)			----- <b>Note</b> -----	555	692067	Screw (Starter Solenoid)
506	690677	Screw (Carburetor Cover)			690907 Tube-Dipstick (Used Before Code Date 98060100).	561	690713	Nut (Control Lever)
507	691972	Insulator			Used on Type No(s). 0310, 0446, 0447, 0497, 1147, 1197, 1233, 1270, 1279, 1296.	562	690239	Bolt (Governor Control Lever)
507A	281223	Insulator	526	692067	Screw (Regulator)(10-16 Amp Regulated)	563	691982	Screw (Debris Screen Guard)
510	496881	Drive-Starter (Used With Steel Ring Gear)	526A	690717	Screw (Regulator)(5 To 9 Amp Regulated) (Used After Code Date 90021100).	565	690682	Stud (Oil Filter Adapter)
510A	696541	Drive-Starter			----- <b>Note</b> -----	572	690686	Baffle-Breather (Used Before Code Date 04060100).
510B	696540	Drive-Starter (For 4-3/8" Housing Length)			810084 Screw (Regulator)(5 To 9 Amp Regulated) (Used Before Code Date 90021200).	573	841310	Plate-Back (Black)
513	692024	Clutch-Drive						----- <b>Note</b> -----
515	691528	Spring-Pawl						841127 Plate-Back (Black) Used on Type No(s). 1340, 1341.
520	691084	Terminal-Ground						
520A	809077	Terminal-Ground (Ignition Shutoff)						
522	491832	Plug-Dipstick/Fill						
523	692100	Dipstick (Standard) (Used Before Code Date 98060100).	526B	691547	Screw (Regulator)(10-16 Amp Regulated) Used on Type No(s). 1041, 1057, 1110, 1236, 1278, 1295, 1322, 1331, 1348, 1384.	577	690795	Cable-Starter
523A	693175	Dipstick (Special) (Used After Code Date 98053100).				578	692306	Wire Assembly (1 Wire, 48-1/2" Long)(Snap Connect Female Pin Socket, And Bare Wire End)
524	*693172	Seal-Dipstick Tube (Used After Code Date 98053100).						
		----- <b>Note</b> -----						
		281370s Seal- Dipstick Tube (Used Before Code Date 98060100).	527	690423	Clamp-Tube	578A	692319	Wire Assembly (Ignition Coil)
525	693174	Tube-Dipstick (Standard) (Used After Code Date 98053100).	529	690744	Grommet	578B	691377	Wire Assembly
			529A	691527	Grommet	596	691492	Screw (Oil Pump)
			532	691115	Nut (Mounting Bracket)	597	690876	Screw (Pawl Friction Plate)
525A	693173	Tube-Dipstick (Used After Code Date 98053100).	544		Armature-Starter (Service With 691564 Starter Motor Only)	597A	94463	Screw (Pawl Friction Plate)
		Used on Type No(s). 1131, 1147, 1197, 1233, 1270, 1279, 1311, 1314, 1319, 1320, 1326, 1344, 1409.	544A		Armature-Starter (Serviced By 499521 Starter Motor Only)	598	807625	Shim-End Play (Crankshaft)
			544C	490309	Armature-Starter	601	691038	Clamp-Hose
			552	690701	Bushing-Governor Crank (Output End)	601A	805813	Clamp-Hose
						601B	791850	Clamp-Hose
						601C	691522	Clamp-Hose
						608	692102	Starter-Rewind (Used After Code Date 93072500).

★ Included in Engine Gasket Set-Ref. No. 358A.

● Included in Carburetor Overhaul Kit-Ref. No. 121, 121A or 121F.

△ Included in Valve Gasket Set-Ref. No. 1095B.

*Illustrations cover a range of engines. Parts shown without corresponding text may not be used on your specific engine.*

### 303400

REF. NO.	PART NO.	DESCRIPTION	REF. NO.	PART NO.	DESCRIPTION	REF. NO.	PART NO.	DESCRIPTION
<b>608A</b>	<b>808152</b>	Starter-Rewind (Used Before Code Date 93072600). ----- <b>Note</b> ----- <b>494926</b> Starter-Rewind (Used Before Code Date 93072600). Used on Type No(s). 0448.	<b>633</b>	<b>806131</b>	Seal-Choke/Throttle Shaft	<b>676</b>	<b>393761</b>	Deflector-Muffler (Side Out)
<b>613</b>	<b>691902</b>	Screw (Muffler)	<b>633B</b>	<b>690722</b>	Seal-Choke/Throttle Shaft	<b>676A</b>	<b>397630</b>	Deflector-Muffler (Louvered)
<b>613A</b>	<b>692067</b>	Screw (Muffler)	<b>633C</b>	<b>807003</b>	Seal-Choke/Throttle Shaft Used on Type No(s). 1320, 1381, 1409, 1410.	<b>676B</b>	<b>396903</b>	Deflector-Muffler (Direct Out)
<b>615</b>	<b>691550</b>	Retainer-Governor Shaft	<b>635</b>	<b>692076</b>	Boot-Spark Plug	<b>676C</b>	<b>495518</b>	Deflector-Muffler
<b>616</b>	<b>806685</b>	Crank-Governor (Used After Code Date 99072000).	<b>637</b>	<b>806999</b>	Washer (Throttle Shaft)	<b>676D</b>	<b>808394</b>	Deflector-Muffler
<b>616A</b>	<b>690899</b>	Crank-Governor (Used Before Code Date 99072100).	<b>637A</b>	<b>807000</b>	Washer (Throttle Shaft)	<b>677</b>	<b>810079</b>	Screw (Muffler Deflector)
<b>620</b>	<b>494052</b>	Panel-Speed Control	<b>638</b>	<b>691551</b>	Washer (Cylinder Cover)	<b>677A</b>	<b>690688</b>	Screw (Muffler Deflector)
<b>628</b>	<b>806660</b>	Screw (Fuel Pump Bracket)	<b>638A</b>	<b>690706</b>	Washer (Cylinder Cover)	<b>677B</b>	<b>690661</b>	Screw (Muffler Deflector)
<b>629</b>	<b>806717</b>	Spring-Throttle Return			(Head Cover)	<b>681</b>	<b>808798</b>	Kit-Needle/Seat
<b>629A</b>	<b>806716</b>	Spring-Throttle Return ----- <b>Note</b> ----- <b>807004</b> Spring-Throttle Return (Used After Code Date 01032800). Used on Type No(s). 1320, 1381, 1409, 1410. <b>806863</b> Spring-Throttle Return (Used Before Code Date 01032900). Used on Type No(s). 1314, 1381, 1409, 1410.	<b>643</b>	<b>692079</b>	Retainer-Air Filter	<b>683</b>	<b>691029</b>	Nut (Starter Solenoid)
<b>629B</b>	<b>692088</b>	Spring-Throttle Return Used on Type No(s). 0404, 0405, 1104, 1105, 1108, 1283.	<b>643A</b>	<b>690447</b>	Retainer-Air Filter	<b>689</b>	<b>691272</b>	Spring-Friction
			<b>643B</b>	<b>691730</b>	Retainer-Air Filter	<b>689A</b>	<b>262564</b>	Spring-Friction
			<b>650</b>	<b>841233</b>	Screw (Oil Deflector) ----- <b>Note</b> ----- <b>691982</b> Screw (Oil Deflector) Used on Type No(s). 1444.	<b>691</b>	<b>690680</b>	Seal-Governor Shaft
			<b>663</b>	<b>692083</b>	Screw (Control Panel)	<b>695</b>	<b>693109</b>	Screw (Ring Gear)
			<b>664</b>	<b>691087</b>	Nut (Key Switch)	<b>697</b>	<b>692062</b>	Screw (Drive Cap)
			<b>668A</b>	<b>691500</b>	Spacer	<b>703</b>	<b>94484</b>	Clip
			<b>674</b>	<b>692056</b>	Screw (Fuel Tank Bracket)	<b>706</b>	<b>805484</b>	Washer (Breather Assembly) (Used Before Code Date 90111500).
			<b>674A</b>	<b>692062</b>	Screw (Fuel Tank Bracket)	<b>710</b>	<b>807689</b>	Cover-Oil Filter
						<b>711A</b>	<b>691492</b>	Screw (Carburetor Shield) ----- <b>Note</b> ----- <b>807084</b> Screw (Carburetor Shield) Used on Type No(s). 1348.
						<b>711B</b>	<b>690699</b>	Screw (Carburetor Shield)
						<b>718</b>	<b>806469</b>	Pin-Locating
						<b>718A</b>	<b>805102</b>	Pin-Locating (Used Before Code Date 90091100).
						<b>718B</b>	<b>690740</b>	Pin-Locating
						<b>725</b>	<b>280866</b>	Shield-Heat

★ Included in Engine Gasket Set-Ref. No. 358A.

● Included in Carburetor Overhaul Kit-Ref. No. 121, 121A or 121F.

△ Included in Valve Gasket Set-Ref. No. 1095B.

*Illustrations cover a range of engines. Parts shown without corresponding text may not be used on your specific engine.*

**303400**

REF. NO.	PART NO.	DESCRIPTION	REF. NO.	PART NO.	DESCRIPTION	REF. NO.	PART NO.	DESCRIPTION
<b>725B</b>	<b>805844</b>	Shield-Heat ----- <b>Note</b> ----- <b>691498</b> Shield-Heat Used on Type No(s). 1172, 1235, 1435, 1440, 1442.	<b>789</b>	<b>691996</b>	Harness-Wiring ----- <b>Note</b> ----- <b>691578</b> Harness- Wiring Used on Type No(s). 1041, 1057, 1110, 1278, 1295, 1306, 1322, 1331, 1348, 1384, 1416. <b>841318</b> Harness- Wiring Used on Type No(s). 1340, 1341.	<b>819</b>	<b>690297</b>	Screw (Muffler Bracket) (Used After Code Date 97012300). ----- <b>Note</b> ----- <b>692198</b> Screw (Muffler Bracket) (Used Before Code Date 97012400).
<b>725C</b>	<b>806102</b>	Shield-Heat				<b>819A</b>	<b>690943</b>	Screw (Muffler Bracket) (16mm Long) ----- <b>Note</b> ----- <b>692056</b> Screw (Muffler Bracket) (14mm Long)
<b>725D</b>	<b>805702</b>	Shield-Heat				<b>819C</b>	<b>692537</b>	Screw (Muffler Bracket) ----- <b>Note</b> ----- <b>692067</b> Screw (Muffler Bracket) (12 mm Long)
<b>726</b>		Gear-Ring (Steel)(See Reference 23 for Service)	<b>797</b>	<b>691029</b>	Nut (Brush Retainer)	<b>819D</b>	<b>692062</b>	Screw (Muffler Bracket)
<b>726A</b>	<b>807805</b>	Gear-Ring (Aluminum)	<b>797A</b>	<b>693167</b>	Nut (Brush Retainer)	<b>830</b>	<b>809157</b>	Stud-Rocker Arm (Used After Code Date 96033100). ----- <b>Note</b> ----- <b>691497</b> Stud- Rocker Arm (Used Before Code Date 96040100).
<b>727</b>	<b>841313</b>	Cover-Starter Drive (Black)	<b>801</b>	<b>808778</b>	Cap-Drive	<b>832</b>	<b>691571</b>	Guard-Muffler
<b>728</b>	<b>691514</b>	Screw (Heat Shield)	<b>801B</b>	<b>691283</b>	Cap-Drive	<b>833</b>	<b>841233</b>	Screw (Air Cleaner Mounting Strap/Stud)
<b>728B</b>	<b>805704</b>	Screw (Heat Shield)	<b>802</b>	<b>496813</b>	Cap-End	<b>833A</b>	<b>690872</b>	Screw (Air Cleaner Mounting Strap/Stud) (Used After Code Date 97103100).
<b>729</b>	<b>690586</b>	Clip-Wire	<b>802A</b>	<b>691286</b>	Cap-End	<b>833B</b>	<b>691593</b>	Screw (Air Cleaner Mounting Strap/Stud)
<b>732</b>	<b>690688</b>	Screw (Starter Drive Cover)	<b>803</b>	<b>690854</b>	Housing-Starter			
<b>732A</b>	<b>841233</b>	Screw (Starter Drive Cover) (Used After Code Date 03120900).	<b>803A</b>	<b>693547</b>	Housing-Starter (Served By <b>499521</b> Starter Motor Only)			
<b>737</b>	<b>690679</b>	Screw (Oil Filter Adapter)	<b>803B</b>		Housing-Starter (For 4-3/8" Housing Length) ----- <b>Note</b> ----- <b>398892</b> Housing- Starter (For 4 9/16" Housing Length)			
<b>739</b>	<b>690451</b>	Clip-Debris	<b>807</b>	<b>805557</b>	Spacer-Throttle			
<b>741</b>	<b>691530</b>	Gear-Timing	<b>812</b>	<b>Δ692055</b>	Nut (Rocker Cover) (Used Before Code Date 01120300).			
<b>742</b>	<b>807001</b>	Retainer-E Ring	<b>813</b>	<b>690635</b>	Clamp			
<b>763</b>	<b>808190</b>	Kit-Starter (For 12 Volt Gear Drive) (Aluminum Ring Gear) Used on Type No(s). 1232, 1293.	<b>816</b>	<b>690706</b>	Washer (Oil Filter Adapter)			
<b>773</b>	<b>690875</b>	Retainer						
<b>774</b>	<b>692067</b>	Screw (Stop Wire)						
<b>783</b>	<b>695708</b>	Gear-Pinion (Services Aluminum Ring Gear Only)						
<b>788</b>	<b>691559</b>	Bracket-Fuel Pump						

★ Included in Engine Gasket Set-Ref. No. 358A.

● Included in Carburetor Overhaul Kit-Ref. No. 121, 121A or 121F.

Δ Included in Valve Gasket Set-Ref. No. 1095B.

*Illustrations cover a range of engines. Parts shown without corresponding text may not be used on your specific engine.*

### 303400

REF. NO.	PART NO.	DESCRIPTION	REF. NO.	PART NO.	DESCRIPTION	REF. NO.	PART NO.	DESCRIPTION	
836	691514	Screw (Muffler Guard)	868	691963	Seal-Valve	918	393815	Hose-Vacuum (Rocker Cover To Impulse Pump)(Cut To Required Length)	
836A	692067	Screw (Muffler Guard)	871	692057	Bushing-Valve Guide				
837	808085	Spacer-Muffler	875	690894	Base-Air Cleaner (Plastic)				
840	692096	Kit-Panel	876	696539	Kit-Pinion Spring	920	691656	Solenoid-Starter	
842	★690611	Seal-O Ring (Dipstick Tube)	877	393456	Wire/Connector- Alternator (White Dual Socket)	920A	825418	Solenoid-Starter Used on Type No(s). 1340, 1341.	
843	691322	Sleeve-Lever				926	695975	Kit-Housing/Cap	
849	691088	Screw (Stub Shaft)	877B	393537	Wire/Connector- Alternator (Green)(Single Socket)	927	691116	Screw (Electronic Governor Module)	
849A	690342	Screw (Stub Shaft)	877C	399916	Wire/Connector- Alternator (2 Wires, 7-53/64" Long)(2 Bare Wire Ends, And Insulated Snap Connect Male Pin Terminal)	947	842239	Solenoid-Fuel Used on Type No(s). 1314, 1319, 1348.	
851	493880s	Terminal-Spark Plug				947A	692094	Solenoid-Fuel	
862	692153	Strap/Stud-Air Cleaner Mounting				949	690475	Guard-Debris Screen	
862C	807563	Strap/Stud-Air Cleaner Mounting				949A	808226	Guard-Debris Screen	
862D	691565	Strap/Stud-Air Cleaner Mounting	878	398661	Harness-Alternator (Dual Circuit)	955A	807723	Plug-Carburetor (Jet)	
862E	492133	Strap/Stud-Air Cleaner Mounting	878B	691362	Harness-Alternator (1 Wire, 47-1/2" Long)(Male Pin Terminal, And Bare Wire End)			----- <b>Note</b> ----- <b>808176</b> Plug- Carburetor Used on Type No(s). 1314, 1319, 1348.	
863	691513	Bracket-Muffler (Cylinder 2 Side)				957	491367s	Cap-Fuel Tank (Plastic)	
863A	690756	Bracket-Muffler (Cylinder 2 Side)	879	690757	Cover-Carburetor ----- <b>Note</b> ----- <b>841130</b> Cover- Carburetor Used on Type No(s). 1385.	957A	493988s	Cap-Fuel Tank (Plastic)	
863B	805610	Bracket-Muffler				958	698182	Valve-Fuel Shut Off (Plastic)	
865	841312	Cover-Air Guide (Black)	882	692074	Flange-Exhaust	958A	698183	Valve-Fuel Shut Off (Plastic) Used on Type No(s). 1293, 1346, 1412, 1413, 1421, 1432, 1449.	
865A	807653	Cover-Air Guide (Black) ----- <b>Note</b> ----- <b>690908</b> Cover-Air Guide (Black) Used on Type No(s). 0310, 0446, 0447, 0497, 1147, 1197, 1270, 1279. ----- <b>Note</b> ----- <b>841319</b> Cover-Air Guide Used on Type No(s). 1029, 1154, 1180, 1216, 1222, 1454.	883	★691613	Gasket-Exhaust				
			884	690898	Clamp-Muffler				
			884A	691956	Clamp-Muffler				
			892	692318	Switch-Key				
			893	820805	Nut (Starter Solenoid) Used on Type No(s). 1340, 1341.	958B	692008	Valve-Fuel Shut Off (Plastic)	
			896	691641	Pin-Drive Retainer	967A	272490s	Filter-Pre Cleaner	
			899	691077	Washer (Starter Solenoid)	967B	805267s	Filter-Pre Cleaner	
						967C	271794s	Filter-Pre Cleaner	
						968A	699959	Cover-Air Cleaner (Metal)	

★ Included in Engine Gasket Set-Ref. No. 358A.

● Included in Carburetor Overhaul Kit-Ref. No. 121, 121A or 121F.

△ Included in Valve Gasket Set-Ref. No. 1095B.

*Illustrations cover a range of engines. Parts shown without corresponding text may not be used on your specific engine.*



**303400**

REF. NO.	PART NO.	DESCRIPTION	REF. NO.	PART NO.	DESCRIPTION	REF. NO.	PART NO.	DESCRIPTION
968B	690694	Cover-Air Cleaner (Plastic) ----- <b>Note</b> ----- <b>841822</b> Cover-Air Cleaner Used on Type No(s). 1348.	1023C	690910	Cover-Rocker	1046	692082	Plug-Blower Housing
968C	691910	Cover-Air Cleaner	1023D	691558	Cover-Rocker	1047	841580	Shaft-Stub
968E	691334	Cover-Air Cleaner	1023E	691531	Cover-Rocker	1048	690669	Module-Electronic Governor (Used After Code Date 98102700).
971	807084	Screw (Air Cleaner Base to Carburetor)	1024	693185	Pump-Oil	1051	691124	Ring-Retaining
971A	690699	Screw (Air Cleaner Base to Carburetor)	1025	690689	Spool-Governor	1051A	691265	Ring-Retaining
971B	692537	Screw (Air Cleaner Base to Carburetor)	1026	691836	Rod-Push (Steel) ----- <b>Note</b> ----- <b>691758</b> Rod-Push (Aluminum)	1054	280275	Tie-Cable
972	492369	Tank-Fuel (Plastic)(7 Quart)	1027	492932s	Filter-Oil (2 1/4" Long) ----- <b>Note</b> ----- <b>491056</b> Filter-Oil (3 1/4" Long)	1054A	710349	Tie-Cable
972A	690663	Tank-Fuel (Plastic)(9 Quart)	1028	808235	Adapter-Oil Filter ----- <b>Note</b> ----- <b>808033</b> Adapter-Oil Filter (For Horizontal Mounted Oil Filter) Used on Type No(s). 1030, 1041, 1042, 1046, 1047, 1048, 1052, 1057, 1068, 1086, 1093, 1104, 1108, 1125, 1142, 1149, 1165, 1189, 1193, 1194, 1198, 1220, 1224, 1227, 1228, 1242, 1247, 1252, 1257, 1262, 1267, 1276, 1278, 1279, 1283, 1285, 1291, 1295, 1297, 1312, 1313, 1315, 1330, 1334, 1345, 1347, 1368, 1437, 1439.	1058	276343	Operator's Manual
987	807002	Seal-Throttle Shaft				1059	698516	Kit-Screw/Washer
987A	806864	Seal-Throttle Shaft				1083	691626	Nut (End Cap)
988	692063	Gasket-Oil Adapter				1083A	690958	Nut (End Cap)
988A	690687	Gasket-Oil Adapter				1085	809093	Module-Ignition
990	691959	Key Set				1090	691293	Retainer-Brush
994	392390	Arrestor-Spark				1091	691516	Cap-Limiter
996	691577	Shield-Carburetor				1095B	842723	Gasket Set-Valve (Used After Code Date 01120200). ----- <b>Note</b> ----- <b>808392</b> Gasket Set-Valve (Used Before Code Date 01120300).
996C	690696	Shield-Carburetor ----- <b>Note</b> ----- <b>841826</b> Shield-Carburetor Used on Type No(s). 1348.				1100	690973	Pivot-Rocker Arm
1004	690743	Duct-Air				1119	691552	Screw (Alternator)
1004B	692538	Duct-Air (Used With Plastic Air Cleaner Base)				1122	93410	Screw (Blower Housing Adapter)
1009	806474	Screw (Starter Motor)				1135	806497	Washer (Fuel Pump Bracket)
1012	690592	Retainer-Link				1148	94504	Screw (Clip)
1012A	691521	Retainer-Link				1176	842067	Nut (Exhaust Manifold)
1017	690900	Screen-Oil Pump				1231	692067	Screw (Ignition Module)
1019	808036	Kit-Label				1254	807084	Screw (Rocker Cover Stud) (Used After Code Date 01120200).
1022*Δ	806039s	Gasket-Rocker Cover				1330	272144	Repair Manual
1023	690758	Cover-Rocker (Used After Code Date 03103100).				1344	841129	Cable-Choke Used on Type No(s). 1385.
1023B	691494	Cover-Rocker (Used Before Code Date 03110100).				1346	492031	Valve-Oil Drain Shut Off Used on Type No(s). 1334, 1443, 1444, 1445.
			1029	807323	Arm-Rocker			
			1030	691496	Support-Rocker Arm			
			1031	690693	Shaft-Rocker Arm			
			1036		Label-Emissions (Available from an Authorized Briggs & Stratton Service Dealer)			
			1038	492374	Rod-Fuel Shut Off			
			1038A	691567	Rod-Fuel Shut Off			
			1044	692056	Screw (Flywheel)			

\* Included in Engine Gasket Set-Ref. No. 358A.

● Included in Carburetor Overhaul Kit-Ref. No. 121, 121A or 121F.

Δ Included in Valve Gasket Set-Ref. No. 1095B.

*Illustrations cover a range of engines. Parts shown without corresponding text may not be used on your specific engine.*