

28C700 to 28C799

Illustrated Parts List

Model Series

28C700 to 28C799

TYPE NUMBERS
0015, 0026, 0029,
0101, 0102, 0110,
0114 through 0118,
0136, 0137, 0604.

TO FIND

THE CORRECT NUMBER OF THE PART YOU NEED: FOLLOW THE INSTRUCTIONS BELOW

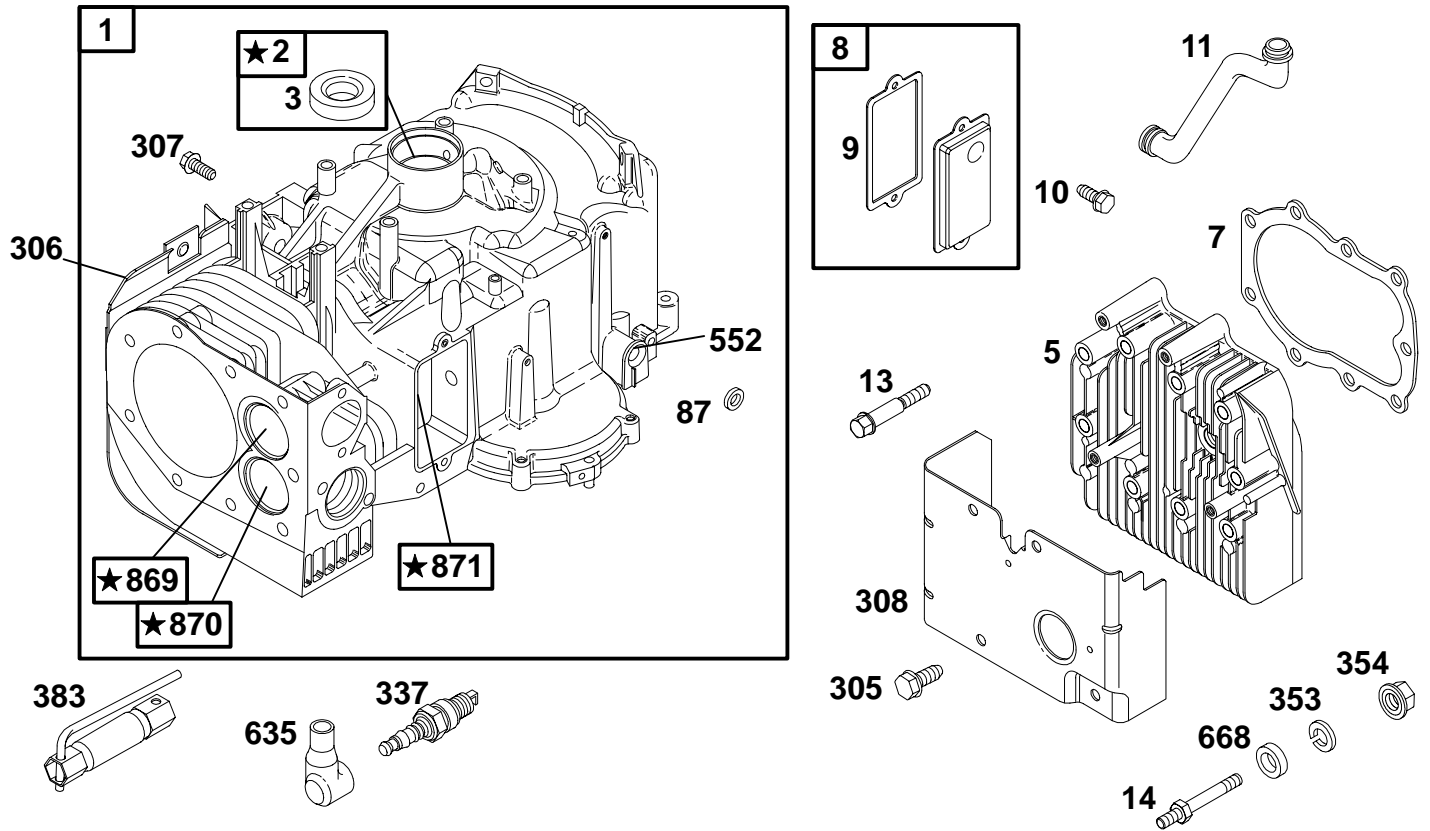
- A. Refer to Engine Model, Type and Code Number that is stamped on the blower housing of engine. Engine type numbers such as 0123 01 are listed only as 0123 in most instances. The two digits (01 or 02, etc.) to the right of the space may be required for more accurate parts identification in some instances. Select the Illustrated Parts List covering the correct Model Series and Type Number.
- B. Refer to the Illustrations and compare the original part with Illustration. The number next to the illustration is the Reference Number. Assemblies include all parts shown in frames. All parts shown in assembly frames having individual reference numbers can be purchased separately.
- C. After the Reference Number has been identified, refer to the Numerical text, where Reference and Primary Part Number are listed. **THE PRIMARY PART IS USED ON ALL TYPE NUMBERS EXCEPT THOSE TYPE NUMBERS UNDER "NOTE."**
- D. If a "Note" appears below the Primary Part Number, it means that this part differs from the Primary Part for certain types. If your Type number is listed under "Note," order the part referred to at the "Note."
- E. If your Engine Type Number does not appear after any part number listed under "Note," use the Primary Part Number.
- F. For Engine Type Numbers not covered by this book, check other Parts Lists having the same engine model or contact your source of supply.

PRINTED IN U.S.A.



COPYRIGHT by BRIGGS & STRATTON CORPORATION
All rights reserved. No part of this material may be reproduced or transmitted, in any form or by any means, electronic or mechanical, including photocopying, recording or by any information storage and retrieval system, without permission in writing from Briggs & Stratton Corporation.

28C700 to 28C799



★ **REQUIRES SPECIAL TOOLS TO INSTALL. SEE REPAIR INSTRUCTION MANUAL.**

1019 LABEL KIT

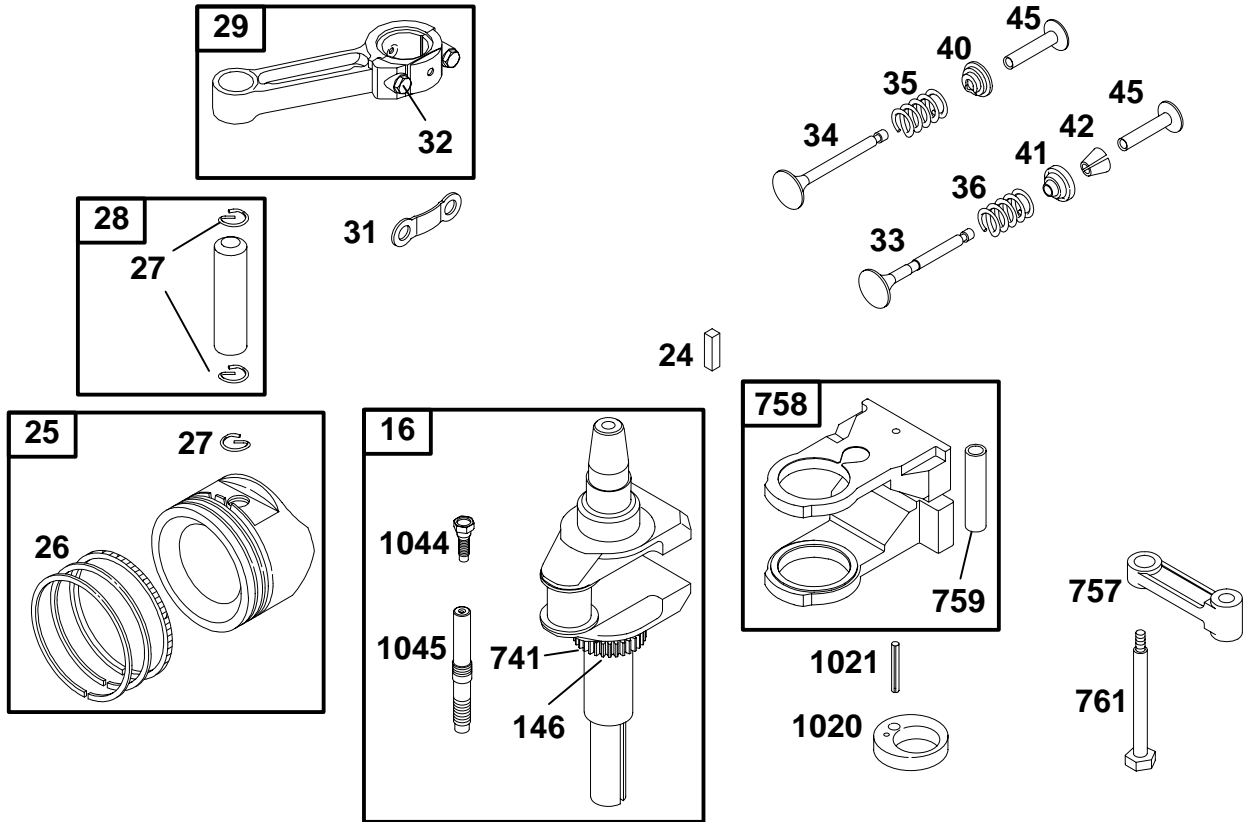
1058 OWNER'S MANUAL

REF. NO.	PART NO.	DESCRIPTION	REF. NO.	PART NO.	DESCRIPTION	REF. NO.	PART NO.	DESCRIPTION
1	496414	Cylinder Assembly	307	94386	Screw-Hex.	871	261961	Bushing-Guide (Exhaust Valve)
2	399265	Bushing	308	491490	Cover-Cylinder			Note
3	★391086	Seal-Oil	337	802592	Plug-Spark			231218 Bushing-Guide (Intake)
5	494240	Head-Cylinder	353	94315	Washer-Lock			
7	★Ø271866	Gasket-Cylinder Head	354	94314	Nut-Hex.	1019	491254	Label Kit
8	495735	Breather Assembly	383	89838	Wrench-Spark Plug	1058	272697	Owner's Manual
9	★Ø27803	Gasket-Breather	552	491986	Bushing-Governor Crank			Note
10	94621	Screw-Hex.	635	66538	Boot-Spark Plug			273131 Owner's Manual
11	281246	Tube-Breather	668	231109	Spacer			Used on Type No(s). 0604.
13	94622	Screw-Hex.	869	261463	Seat-Valve (Intake)			
14	94776	Stud-Hex. Drive	870	262924	Seat-Valve (Exhaust)			
87	★491323	Seal-Governor Shaft						
305	94786	Screw-Hex.						
306	224545	Shield-Cylinder						

★ Included in Gasket Set-Part Number 494241.
 ● Included in Carburetor Kit-See Ref. 121.

◆ Included in Carburetor Gasket Set-Part No. 494385.
 ◊ Included in Valve Overhaul Gasket Set-Part No. 498539.

28C700 to 28C799

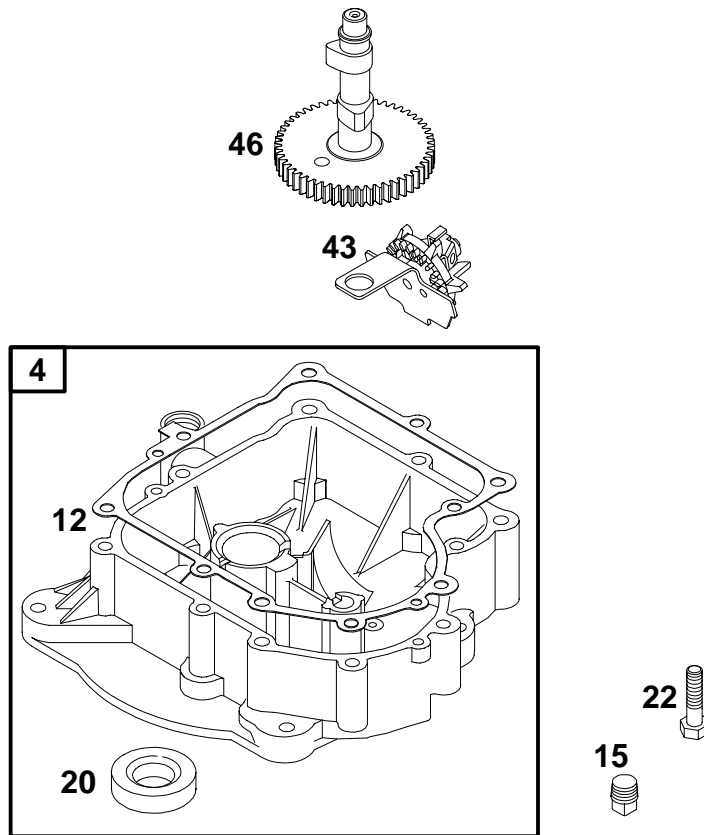


REF. NO.	PART NO.	DESCRIPTION	REF. NO.	PART NO.	DESCRIPTION	REF. NO.	PART NO.	DESCRIPTION		
16	495162	Crankshaft	27	260924	Lock-Piston Pin	146	94196	Key-Timing		
24	222698	Key-Flywheel	28	299691	Pin-Piston (Standard)	741	262932	Gear-Timing		
25	391285	Piston Assembly (Standard)			Note	757	213998	Link-Counterweight		
		Note			391286	Pin-Piston (.005" O.S.)	758	399891	Counterweight	
		391287	Piston Assy. (.010" O.S.)	29	490348	Rod-Connecting (Standard)	759	230787	Pin-Counterweight	
		391288	Piston Assy. (.020" O.S.)			Note	761	94593	Screw-Hex.	
		391289	Piston Assy. (.030" O.S.)			490469	Rod-Conn. (.020" Undersize)	1020	262243	Eccentric
26	391780	Ring Set (Standard)	31	222299	Lock-Rod Screw	1021	94160	Pin-Groove		
		Note	32	95017	Screw-Conn. Rod	1044	94673	Screw-Shoulder		
		392331	Ring Set (Standard Chrome)	33	262246	Valve-Exhaust	1045	231828	Extension-Crankshaft	
		391781	Ring Set (.010" O.S.)	34	262247	Valve-Intake				
		391782	Ring Set (.020" O.S.)	35	65906	Spring-Valve				
		391783	Ring Set (.030" O.S.)	36	26828	Spring-Valve				
				40	221596	Retainer-Valve				
				41	292260	Retainer-Valve				
				42	494553	Keeper-Valve				
				45	262248	Tappet-Valve				

★ Included in Gasket Set-Part Number 494241.
● Included in Carburetor Kit-See Ref. 121.

◆ Included in Carburetor Gasket Set-Part No. 494385.
⊙ Included in Valve Overhaul Gasket Set-Part No. 498539.

28C700 to 28C799

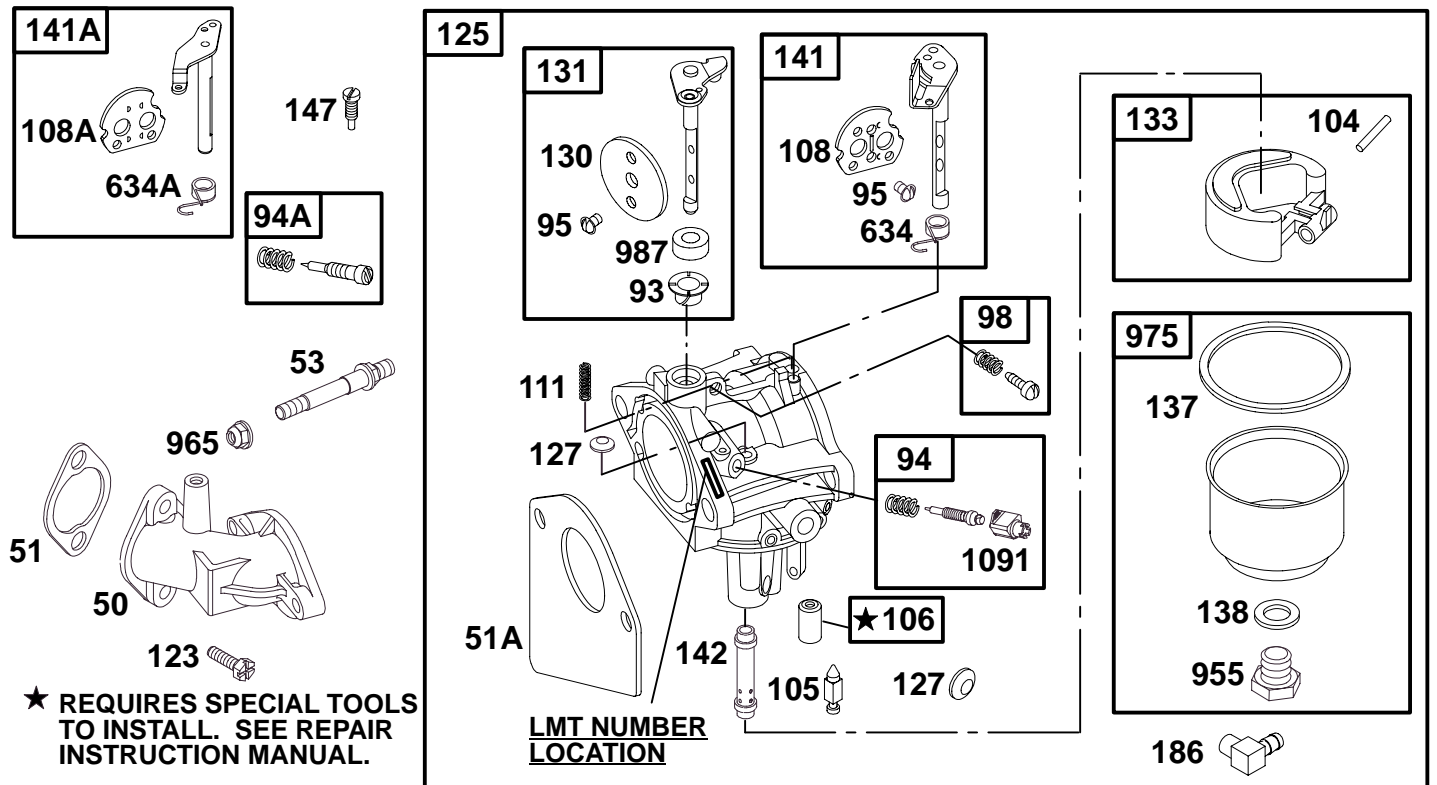


REF. NO.	PART NO.	DESCRIPTION	REF. NO.	PART NO.	DESCRIPTION	REF. NO.	PART NO.	DESCRIPTION
4	494238	Sump-Engine	15	94239	Plug-Oil Drain	22	94624	Screw-Hex.
12	★271916	Gasket-Crankcase (.015" Thick)	20	★291675	Seal-Oil	43	490815	Governor-Oil Slinger
		Note				46	212897	Gear-Cam
		★271997 Gasket-Crankcase (.005" Thick)						
		★271996 Gasket-Crankcase (.009" Thick)						

★ Included in Gasket Set-Part Number 494241.
● Included in Carburetor Kit-See Ref. 121.

◆ Included in Carburetor Gasket Set-Part No. 494385.
⊘ Included in Valve Overhaul Gasket Set-Part No. 498539.

28C700 to 28C799



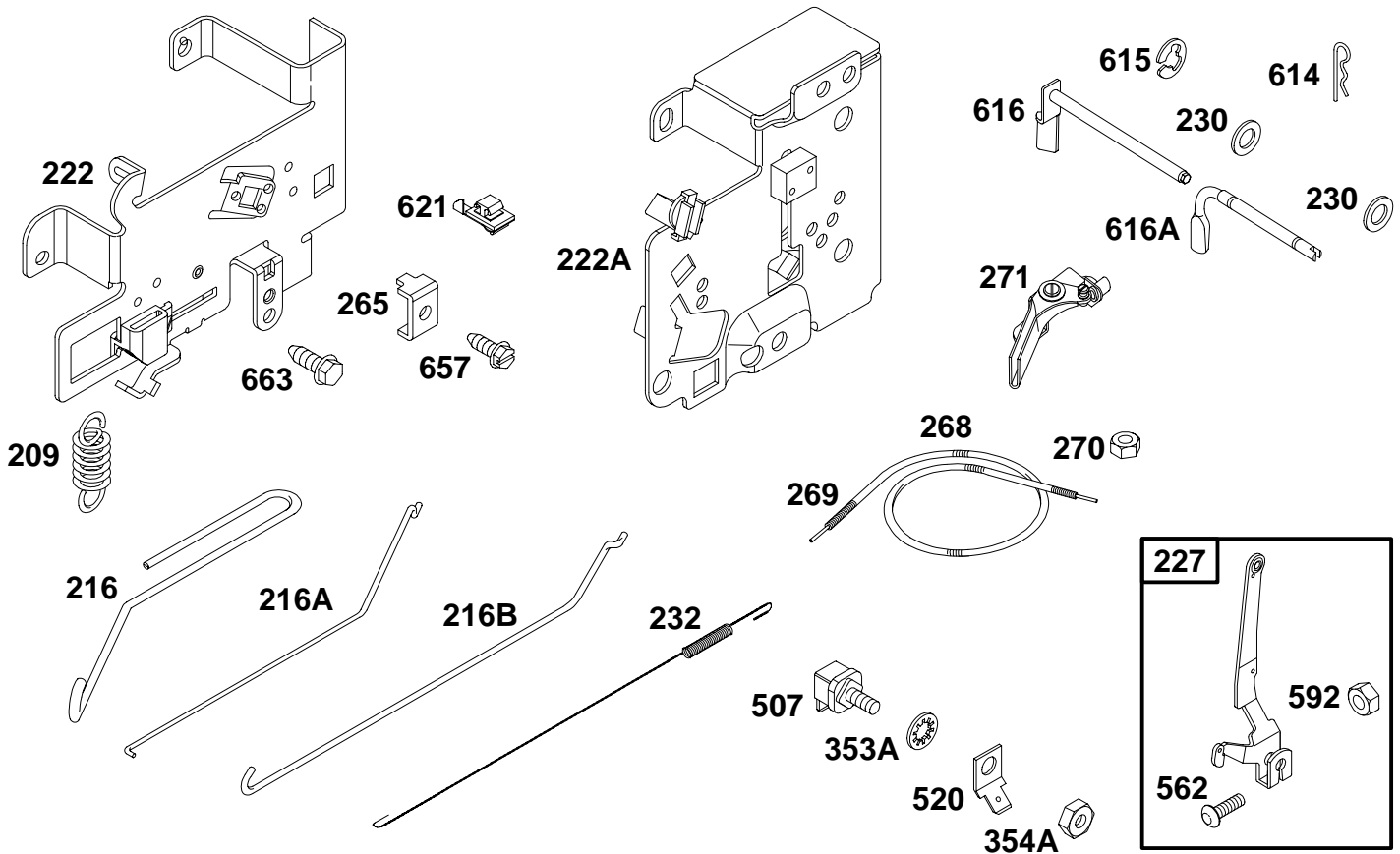
THIS CARBURETOR SERVICES BOTH CHOKE-A-MATIC AND MANUAL CHOKE SYSTEMS

REF. NO.	PART NO.	DESCRIPTION	REF. NO.	PART NO.	DESCRIPTION	REF. NO.	PART NO.	DESCRIPTION
50	213819	Manifold-Intake	130	224668	Valve-Throttle			
51	★Ø272554	Gasket-Intake	131	494885	Throttle Shaft Kit			499038 Nozzle-Carb. (High Altitude) (LMT 162)
51A	◆♦272465	Gasket-Carb. Elbow	133	494381	Float-Carburetor			499040 Nozzle-Carb. (High Altitude) (LMT 166)
53	94637	Stud-Carburetor Mounting	137	◆♦281165	Gasket-Float Bowl			497970 Nozzle-Carb. (High Altitude) (LMT 97)
93	◆281346	Bushing-Thr. Shaft	138	◆♦281164	Washer			147 ◆497472 Jet-Pilot (LMT 97)
94	498030	Valve-Idle Adjustment	141	495097	Shaft-Choke (Manual Choke)			Note 231983 Jet-Pilot (LMT 133)
94A	496589	Valve-Idle Adjustment	141A	495931	Shaft Choke (Choke-A-Matic)			186 493496 Connector-Hose
95	◆94098	Screw-Round Head	142	◆499037	Nozzle-Carburetor (Standard) (LMT 162)			634 ◆494453 Seal-Spring Assembly
98	495800	Screw-Idle Speed			Note ◆499039 Nozzle-Carb. (Standard) (LMT 166)			634A ◆494455 Seal-Spring Assembly
104	◆231789	Pin-Float Hinge			◆497568 Nozzle-Carb. (Standard) (LMT 97)			955 94642 Screw-Bowl Mounting
105	◆231855	Valve-Needle			◆497860 Nozzle-Carb. (Standard) (LMT 133)			965 94010 Nut-Hex.
106	◆231854	Seat-Inlet (Gravity Feed)						975 494378 Bowl-Float
108	224667	Valve-Choke						987 ◆281166 Seal-Throttle Shaft
108A	224666	Valve-Choke						1091 281364 Cap-Limiter
111	262820	Spring-Friction						
123	94616	Screw-Torx® Hex.						
125	499161	Carburetor (LMT 162, 165, 166)						
127	•	Plug-Welch (Sold in Kit Only)						

★ Included in Gasket Set-Part Number 494241.
 • Included in Carburetor Kit-See Ref. 121.

◆ Included in Carburetor Gasket Set-Part No. 494385.
 Ø Included in Valve Overhaul Gasket Set-Part No. 498539.

28C700 to 28C799

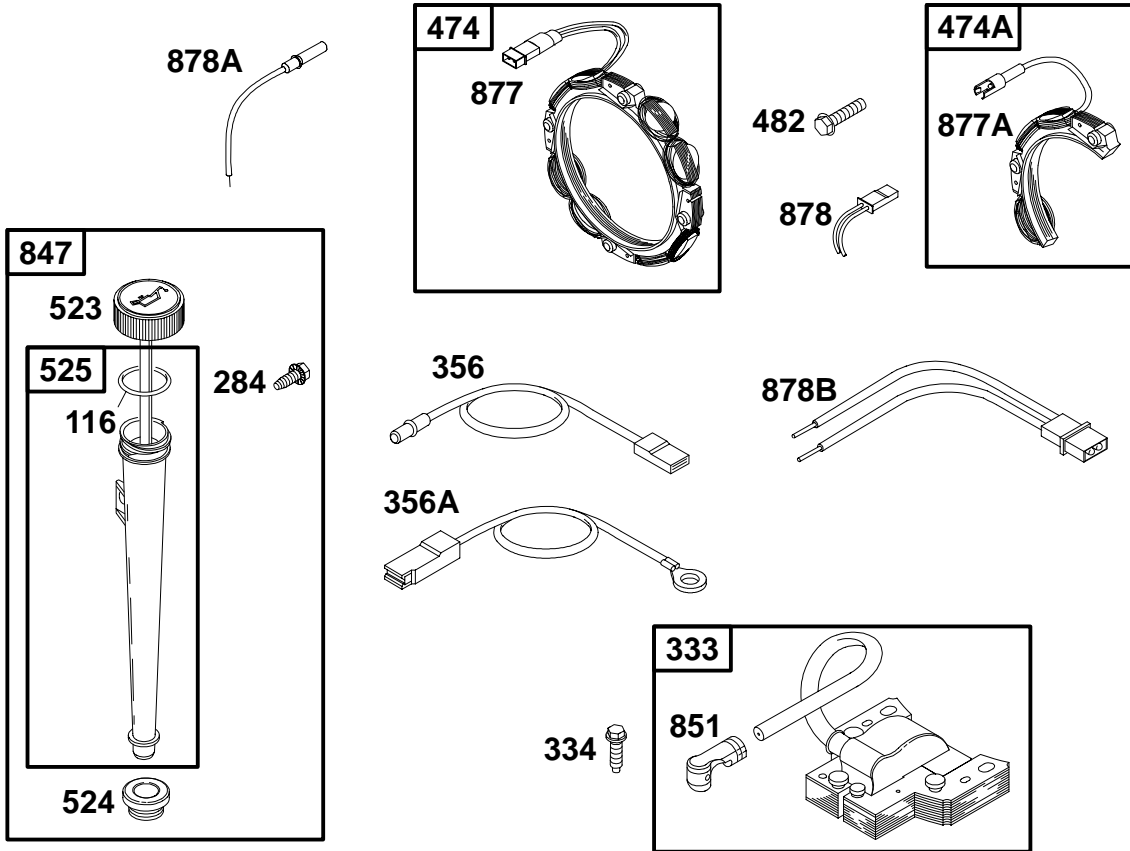


REF. NO.	PART NO.	DESCRIPTION	REF. NO.	PART NO.	DESCRIPTION	REF. NO.	PART NO.	DESCRIPTION
209	260871	Spring-Governor Note 260695 Spring-Gov. Used on Type No(s). 0117. 262783 Spring-Gov. Used on Type No(s). 0116, 0118. 261306 Spring-Gov. Used on Type No(s). 0110.	222	495611	Bracket-Control	353A	92791	Washer-Lock
			222A	494041	Bracket-Control	354A	90576	Nut-Hex.
			227	493935	Lever-Governor	507	398525	Insulator
			230	94742	Washer-Flat	520	93722	Terminal
			232	262785	Spring-Link	562	92613	Bolt-Governor Lever
			265	221535	Clamp-Casing	592	231082	Nut-Hex.
			268	65616	Casing-Wire (72" Long Cut to Required Length)	614	93306	Pin-Cotter
			269	26633	Wire-Control (78" Long Cut to Required Length)	615	93307	Retainer-E-Ring
			270	63426	Locknut-Casing	616	495157	Crank-Governor
			271	290568	Lever-Control	616A	231058	Crank-Governor
						621	396847	Switch-Stop
						657	93496	Screw-Slotted Hex.
						663	94620	Screw-Hex.

★ Included in Gasket Set-Part Number 494241.
● Included in Carburetor Kit-See Ref. 121.

◆ Included in Carburetor Gasket Set-Part No. 494385.
⊙ Included in Valve Overhaul Gasket Set-Part No. 498539.

28C700 to 28C799

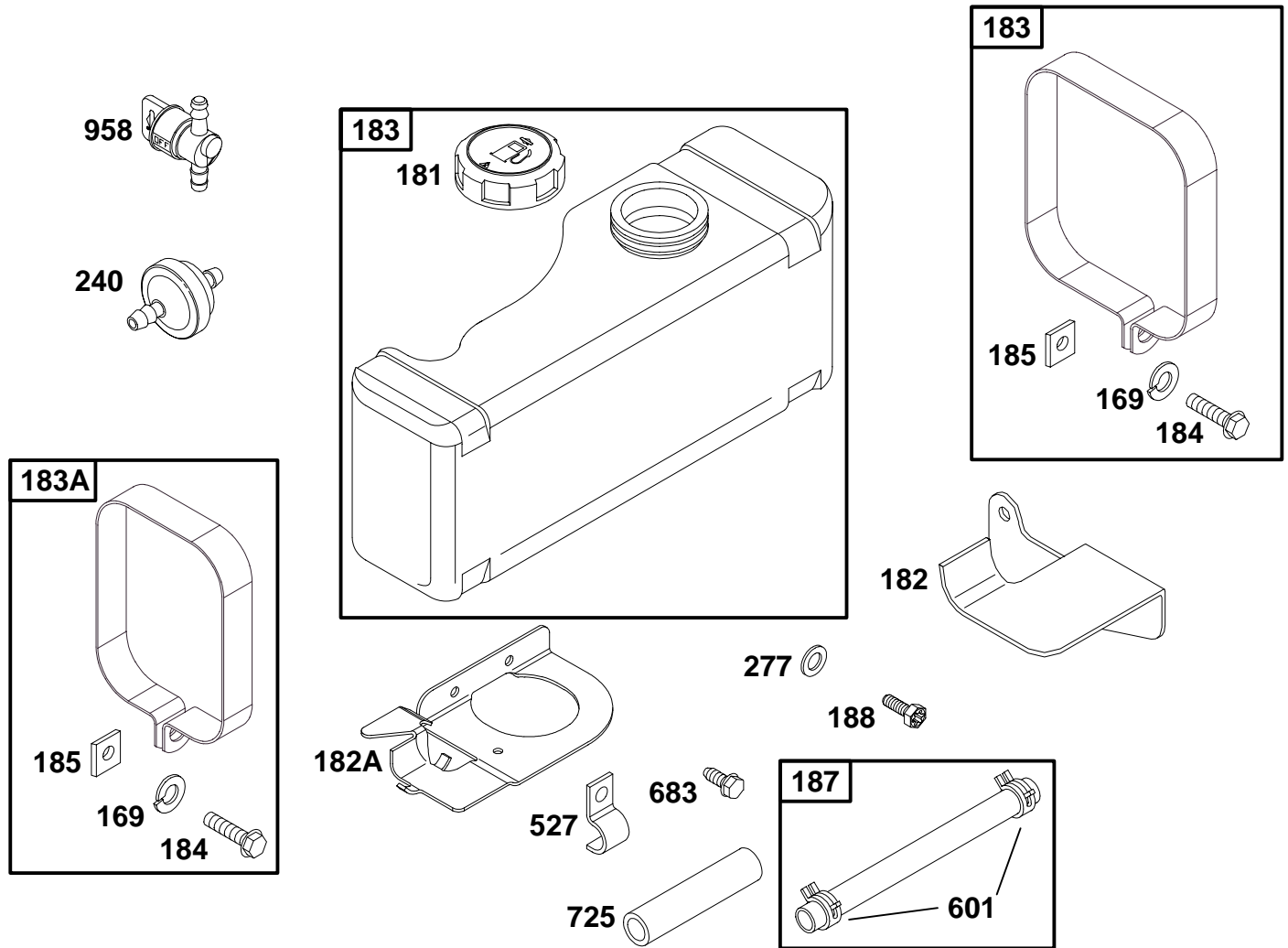


REF. NO.	PART NO.	DESCRIPTION	REF. NO.	PART NO.	DESCRIPTION	REF. NO.	PART NO.	DESCRIPTION
116	★270920	Seal-O-Ring	474A	391529	Alternator	851	493880	Terminal-Cable
284	94073	Screw-Shoulder	482	93621	Screw-Hex.	877	393456	Wire-Alternator
333	492341	Armature-Magneto	523	495229	Dipstick	877A	393814	Wire-Alternator
334	94731	Screw-Hex.	524	★281370	Seal-Fill Tube	878	393362	Harness-Alternator
356	494328	Wire-Stop	525	496068	Tube-Oil Fill	878A	393422	Harness-Alternator
356A	399223	Wire-Stop	847	496367	Dipstick/Tube Assembly	878B	399916	Harness-Alternator
474	393474	Alternator						

★ Included in Gasket Set-Part Number 494241.
 ● Included in Carburetor Kit-See Ref. 121.

◆ Included in Carburetor Gasket Set-Part No. 494385.
 ∅ Included in Valve Overhaul Gasket Set-Part No. 498539.

28C700 to 28C799



REF. NO.	PART NO.	DESCRIPTION	REF. NO.	PART NO.	DESCRIPTION	REF. NO.	PART NO.	DESCRIPTION
169	90832	Washer-Lock	187	299146	Line-Fuel (Cut to Required Length)	277	22963	Washer
181	493988	Cap-Fuel Tank	188	94480	Screw-Torx®Hex. (For Electric Start.)	527	221428	Clamp-Tube
182	223925	Bracket-Fuel Tank (R.H.)			Note	601	93053	Clamp-Hose
182A	223866	Bracket-Fuel Tank (L.H.)			94627 Screw-Hex. (For Rewind Start Only)	683	94602	Screw-Hex.
183	496853	Strap-Fuel Tank (R.H.)	240	298090	Filter-Fuel	725	222175	Shield-Heat
183A	496852	Strap-Fuel Tank (L.H.)			Note	958	494768	Valve-Shut-Off
184	94286	Screw-Hex.			394358 Filter-Fuel Used on Type No(s). 0114.	972	390225	Tank-Fuel (3 Quart)
185	90970	Nut-Square						

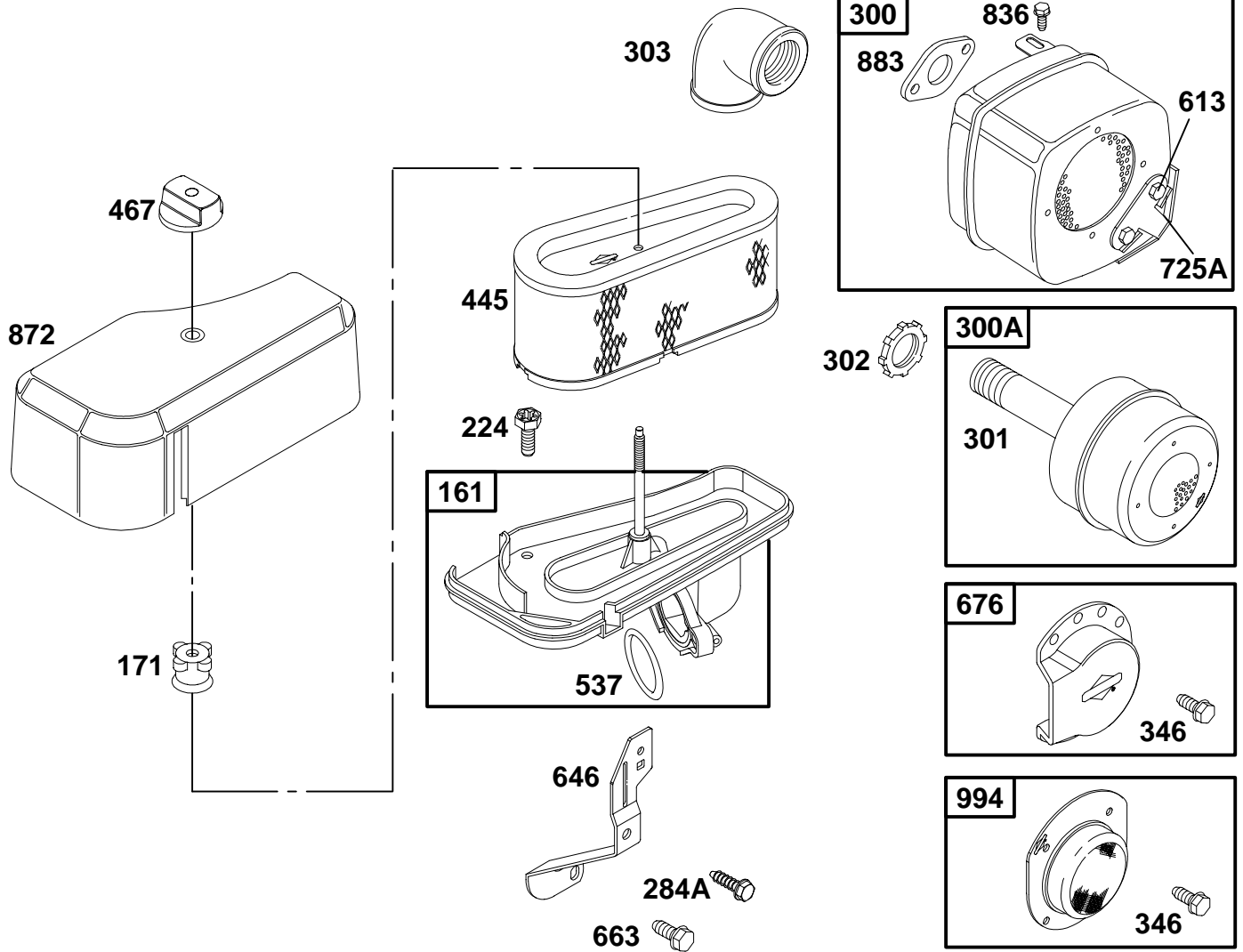
★ Included in Gasket Set-Part Number 494241.

● Included in Carburetor Kit-See Ref. 121.

◆ Included in Carburetor Gasket Set-Part No. 494385.

⊘ Included in Valve Overhaul Gasket Set-Part No. 498539.

28C700 to 28C799

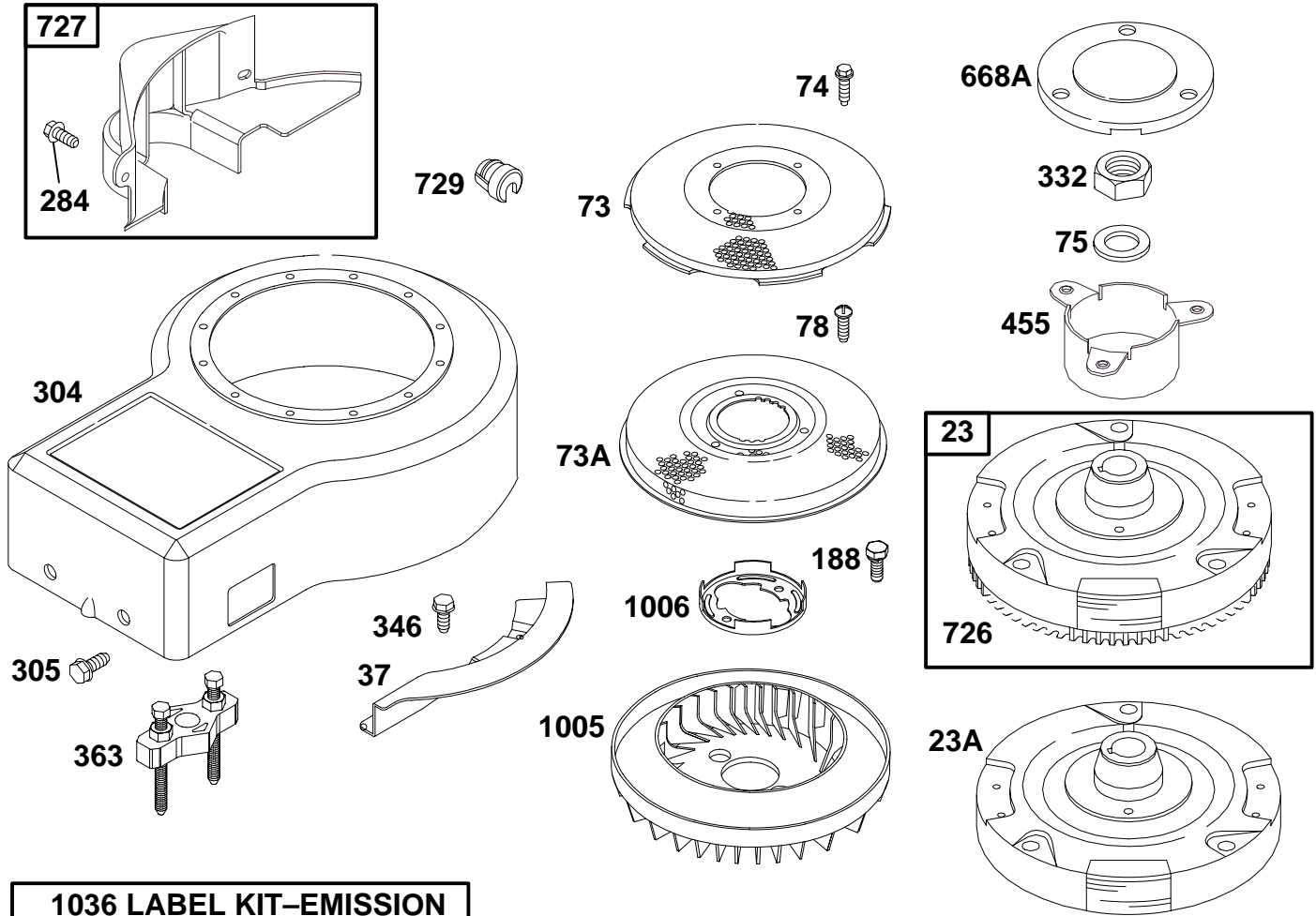


REF. NO.	PART NO.	DESCRIPTION	REF. NO.	PART NO.	DESCRIPTION	REF. NO.	PART NO.	DESCRIPTION
161	496368	Base—Air Cleaner	303	91308	Elbow—Exhaust	663	94620	Screw—Hex.
171	281051	Nut	346	93705	Screw—Hex.	676	393761	Deflector—Muffler
224	94729	Screw—Torx® Hex.	445	493910	Filter—Air	725A	223023	Shield—Heat
284A	94704	Screw Hex.	467	493903	Nut—Air Cleaner	836	94513	Screw—Hex.
300	491413	Muffler—Exhaust	537	★Ø281106	Gasket—Air Cleaner	872	281105	Cover—Air Cleaner
300A	391569	Muffler—Exhaust	613	93927	Screw—Shoulder	883	★Ø272293	Gasket—Exhaust
301	93768	Pipe—Muffler	646	224546	Brace	994	392390	Arrester—Spark
302	261564	Locknut—Muffler						

★ Included in Gasket Set—Part Number 494241.
 ● Included in Carburetor Kit—See Ref. 121.

◆ Included in Carburetor Gasket Set—Part No. 494385.
 Ø Included in Valve Overhaul Gasket Set—Part No. 498539.

28C700 to 28C799



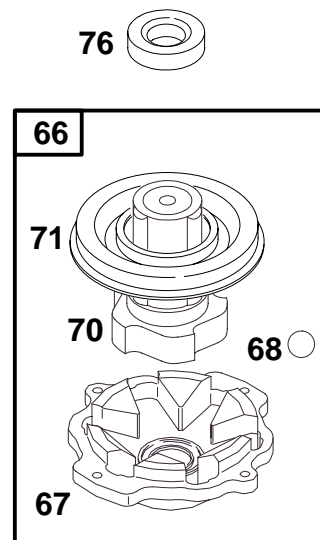
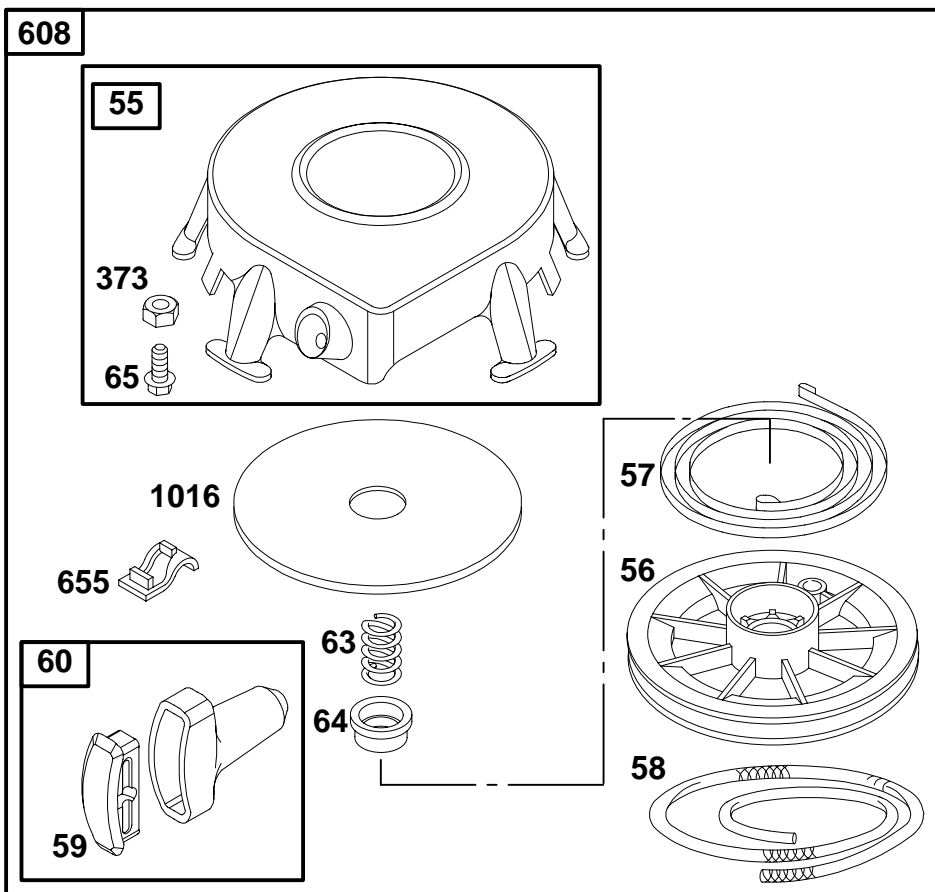
1036 LABEL KIT-EMISSION

REF. NO.	PART NO.	DESCRIPTION	REF. NO.	PART NO.	DESCRIPTION	REF. NO.	PART NO.	DESCRIPTION
23	492326	Flywheel	74	93758	Screw-Hex.	668A	280848	Spacer
23A	492135	Flywheel	75	224061	Washer-Flywheel	726	392134	Gear-Ring
37	224502	Guard-Flywheel	78	94626	Screw-Phillips	727	490324	Cover-Start Drive
		Note	188	94627	Screw-Hex.	729	281159	Clip-Wire
		494674 Guard-Flywheel	284	94073	Screw-Shoulder	1005	280687	Fan-Flywheel
		(Includes Mounting Hardware)	304	496319	Housing-Blower (Black)	1006	224413	Retainer-Fan
		Used on Type No(s). 0015, 0102, 0118.	305	94786	Screw-Hex.	1036	499361	Label Kit-Emission Used on Type No(s). 0604.
73	224518	Screen-Rotating	332	92284	Nut-Flywheel			
73A	224517	Screen-Rotating	346	93705	Screw-Hex.			
			363	19203	Flywheel-Puller			
			455	222561	Cup-Flywheel			

★ Included in Gasket Set-Part Number 494241.
 ● Included in Carburetor Kit-See Ref. 121.

◆ Included in Carburetor Gasket Set-Part No. 494385.
 ◊ Included in Valve Overhaul Gasket Set-Part No. 498539.

28C700 to 28C799

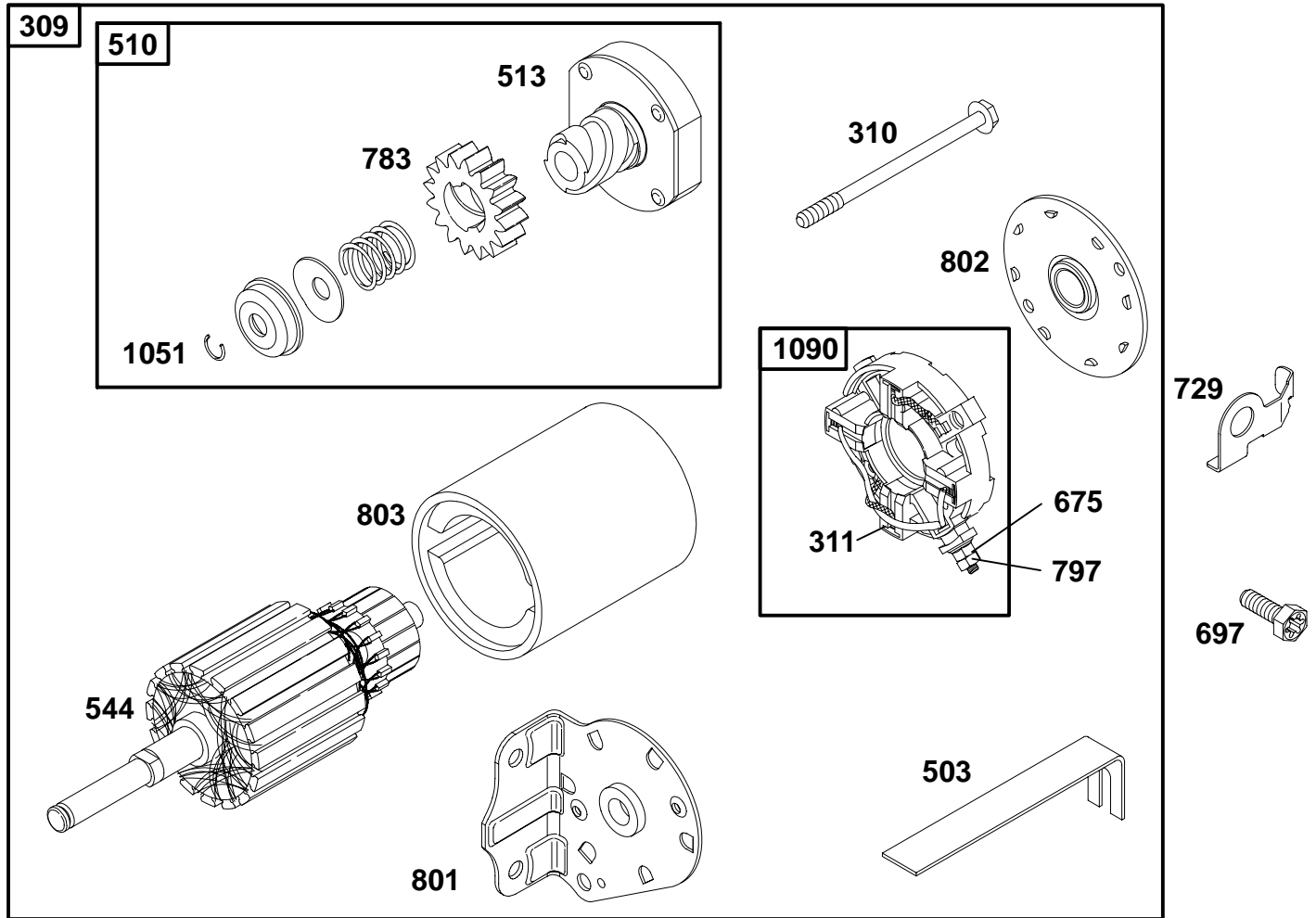


REF. NO.	PART NO.	DESCRIPTION	REF. NO.	PART NO.	DESCRIPTION	REF. NO.	PART NO.	DESCRIPTION
55	393576	Housing-Rewind Starter	60	490652	Grip-Starter Rope	71	394506	Cover-Ratchet
		(Includes 63" Rope)	63	260414	Spring-Ratchet	76	68238	Seal
56	295871	Pulley-Starter	64	281204	Adapter-Spring	373	92987	Nut-Hex.
57	490179	Spring-Rewind Starter	65	94128	Screw-Hex.	608	390391	Starter-Rewind
58	66884	Rope-Starter (63" Long)	66	399671	Clutch-Starter	655	222598	Anchor-Rewind Spring
59	490653	Insert-Grip	67	394897	Housing-Clutch	1016	490817	Spacer-Rewind
			68	63770	Ball-Clutch			
			70	298799	Ratchet-Clutch			

★ Included in Gasket Set-Part Number 494241.
 ● Included in Carburetor Kit-See Ref. 121.

◆ Included in Carburetor Gasket Set-Part No. 494385.
 ∅ Included in Valve Overhaul Gasket Set-Part No. 498539.

28C700 to 28C799

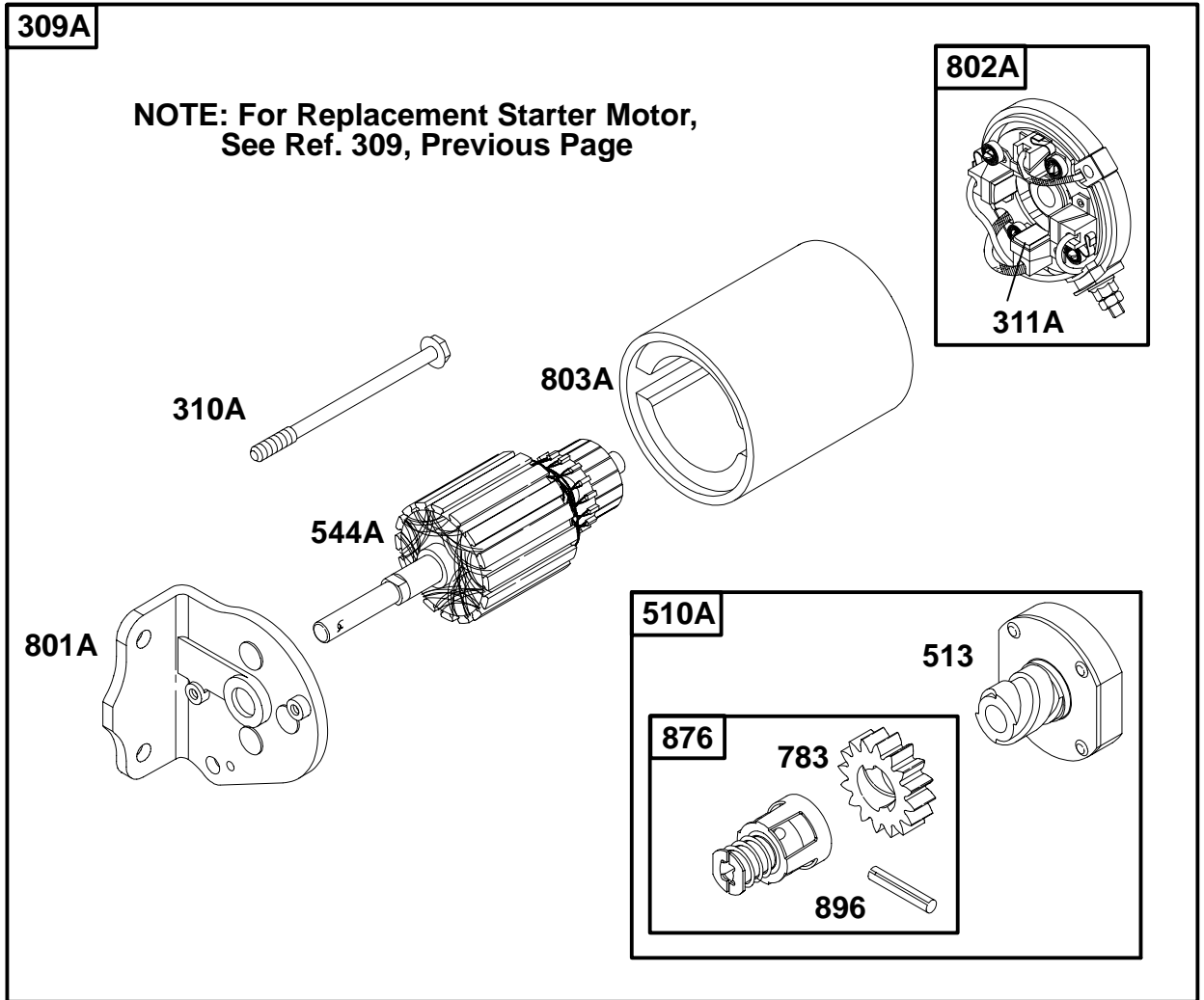


REF. NO.	PART NO.	DESCRIPTION	REF. NO.	PART NO.	DESCRIPTION	REF. NO.	PART NO.	DESCRIPTION
309	693054	Motor-Starter (3 5/8" Housing Lgth.)	311	497608	Brush Set	783	693059	Gear-Starter
		Note	503	806000	Strap-Starter	797	92278	Nut (Starter Terminal)
		499521 Motor-Starter (4 3/8" Housing Lgth.)	510	497606	Drive-Starter	801	497626	Cap-Drive
310	94003	Bolt (Starter Motor) (For 3 5/8" Housing Length)	513	398003	Clutch-Drive	802	497607	Cap-End
		Note	544	497603	Armature-Starter (3 5/8" Housing Length)	803	497604	Housing-Starter (3 5/8" Housing Length)
		95035 Bolt (Starter Motor) (For 4 3/8" Housing Length)	675	225137	Washer (Starter Motor)	1051	263080	Ring-Retaining
			697	94773	Screw (Starter Motor Mounting)	1090	497605	Retainer-Brush
			729	225170	Clip-Wire			

★ Included in Gasket Set-Part Number 494241.
● Included in Carburetor Kit-See Ref. 121.

◆ Included in Carburetor Gasket Set-Part No. 494385.
⊘ Included in Valve Overhaul Gasket Set-Part No. 498539.

28C700 to 28C799

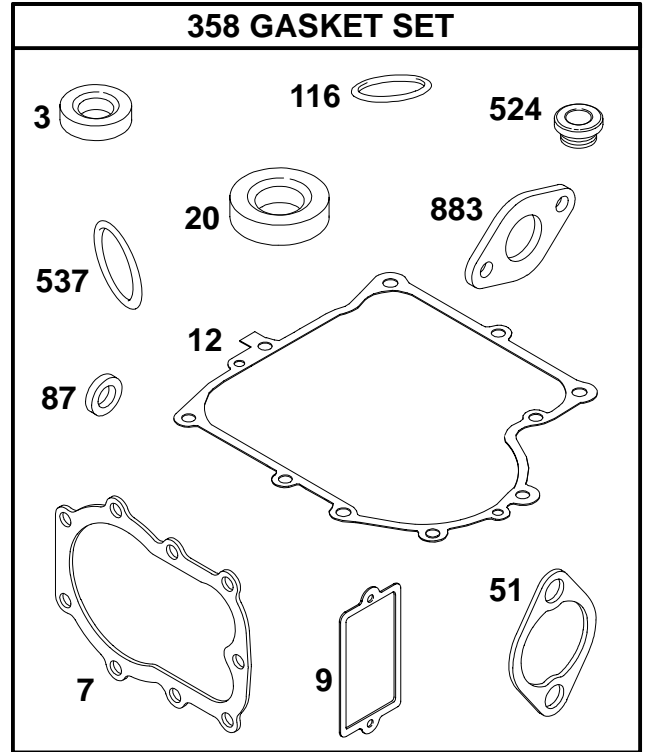
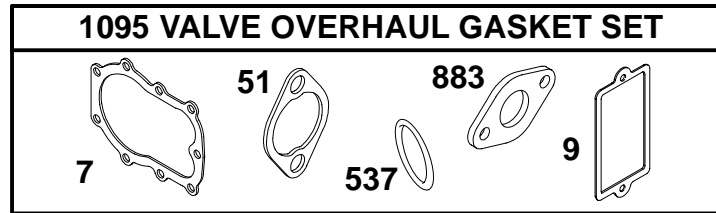
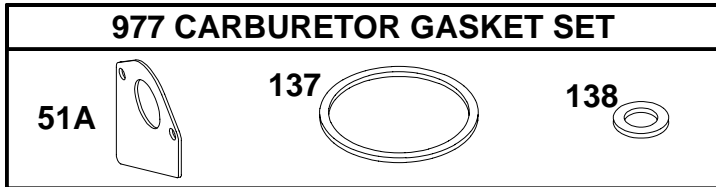
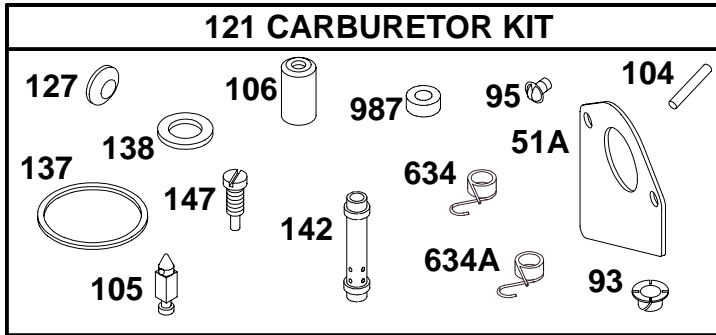


REF. NO.	PART NO.	DESCRIPTION	REF. NO.	PART NO.	DESCRIPTION	REF. NO.	PART NO.	DESCRIPTION
309A		For Replacement Starter Motor, See Ref 309, Previous Page.	513	398003	Clutch-Drive	802A	395537	Cap-End (For 3 5/8" Housing Length)
310A	94003	Bolt (Starter Motor) (For 3 5/8" Housing Length)	544A	390837	Armature-Starter (For 3 5/8" Housing Length)			Note _____ 494988 Cap-End (For 4 3/8" Housing Length)
		Note _____ 95035 Bolt (Starter Motor) (For 4 3/8" Housing Length)	697	94627	Screw (Starter Motor Mounting)	803A	398159	Housing-Starter (For 3 5/8" Housing Length)
311A	395538	Brush Set (For 3 5/8" Housing Lengths)	783	693059	Gear-Starter			Note _____ 494205 Housing-Starter (For 4 3/8" Housing Length)
503	806000	Strap-Starter	801	394856	Cap-Drive	876	495877	Kit-Gear
510A	495878	Drive-Starter				896	94288	Pin-Roll

★ Included in Gasket Set-Part Number 494241.
● Included in Carburetor Kit-See Ref. 121.

◆ Included in Carburetor Gasket Set-Part No. 494385.
⊙ Included in Valve Overhaul Gasket Set-Part No. 498539.

28C700 to 28C799



REF. NO.	PART NO.	DESCRIPTION	REF. NO.	PART NO.	DESCRIPTION	REF. NO.	PART NO.	DESCRIPTION
3	★391086	Seal—Oil	121	499220	Carburetor Kit (Used After Code Date 96072500). (LMT 162)	147	●497472	Jet—Pilot (LMT 97)
7	∅★271866	Gasket—Cylinder Head			Note	358	494241	Gasket Set
9	∅★27803	Gasket—Breather			499231 Carburetor Kit (Used After Code Date 96072500). (LMT 97, 133, 166)	524	★281370	Seal—Fill Tube
12	★271916	Gasket—Crankcase (.015" Thick)			497481 Carburetor Kit (Used Before Code Date 96072600).	537	∅★281106	Gasket—Air Cleaner
		Note			Plug—Welch (Sold in Kit Only)	634	●494453	Seal—Spring Assembly (Manual Choke)
		★271997 Gasket—Crankcase (.005" Thick)	127	•		634A	●494455	Seal—Spring Assembly (Choke—A—Matic)
		★271996 Gasket—Crankcase (.009" Thick)						883 ∅★272293 Gasket—Exhaust
20	★291675	Seal—Oil	137	◆◆281165	Gasket—Float Bowl	977	494385	Gasket Set—Carb,
51	∅★272554	Gasket—Intake	138	◆◆281164	Washer	987	●281166	Seal—Throttle Shaft
51A	◆◆272465	Gasket—Carb. Elbow	142	●499037	Nozzle—Carburetor (Standard) (LMT 162)	1095	498539	Gasket Set—Valve Overhaul
87	★491323	Seal—Governor Shaft			Note			
93	●281346	Bushing—Throttle Shaft			●499039 Nozzle—Carb. (Standard) (LMT 166)			
95	●94098	Screw—Round Head			●497568 Nozzle—Carb. (Standard) (LMT 97)			
104	●231789	Pin—Float Hinge			●497860 Nozzle—Carb. (Standard) (LMT 133)			
105	●231855	Valve—Needle						
106	●231854	Seat—Inlet						
116	★270920	Seal—O—Ring						

★ Included in Gasket Set—Part Number 494241.
 ● Included in Carburetor Kit—See Ref. 121.

◆ Included in Carburetor Gasket Set—Part No. 494385.
 ∅ Included in Valve Overhaul Gasket Set—Part No. 498539.