

286H00

Illustrated Parts List

Model Series

286H00

TYPE NUMBERS
0101 Through 0186

TABLE OF CONTENTS

Air Cleaner 5

Alternator 7

Blower Housing 5

Camshaft 2

Carburetor 4

Controls 7

Crankshaft 2

Cylinder 2

Cylinder Head 3

Electric Starter 7

Engine Sump 2

Flywheel 6

Fuel Supply 4

Gasket Set - Engine 2

Gasket Set - Valve 3

Governor Spring 7

Ignition 7

Kit - Carburetor Overhaul 4

Lubrication 3

Piston, Rings, Connecting Rod 2

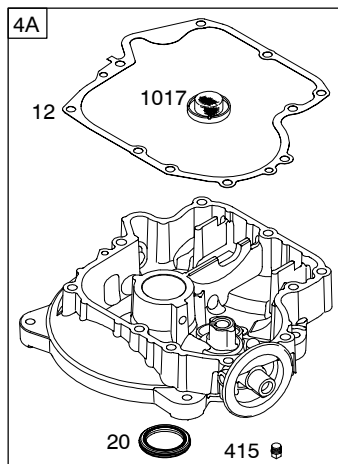
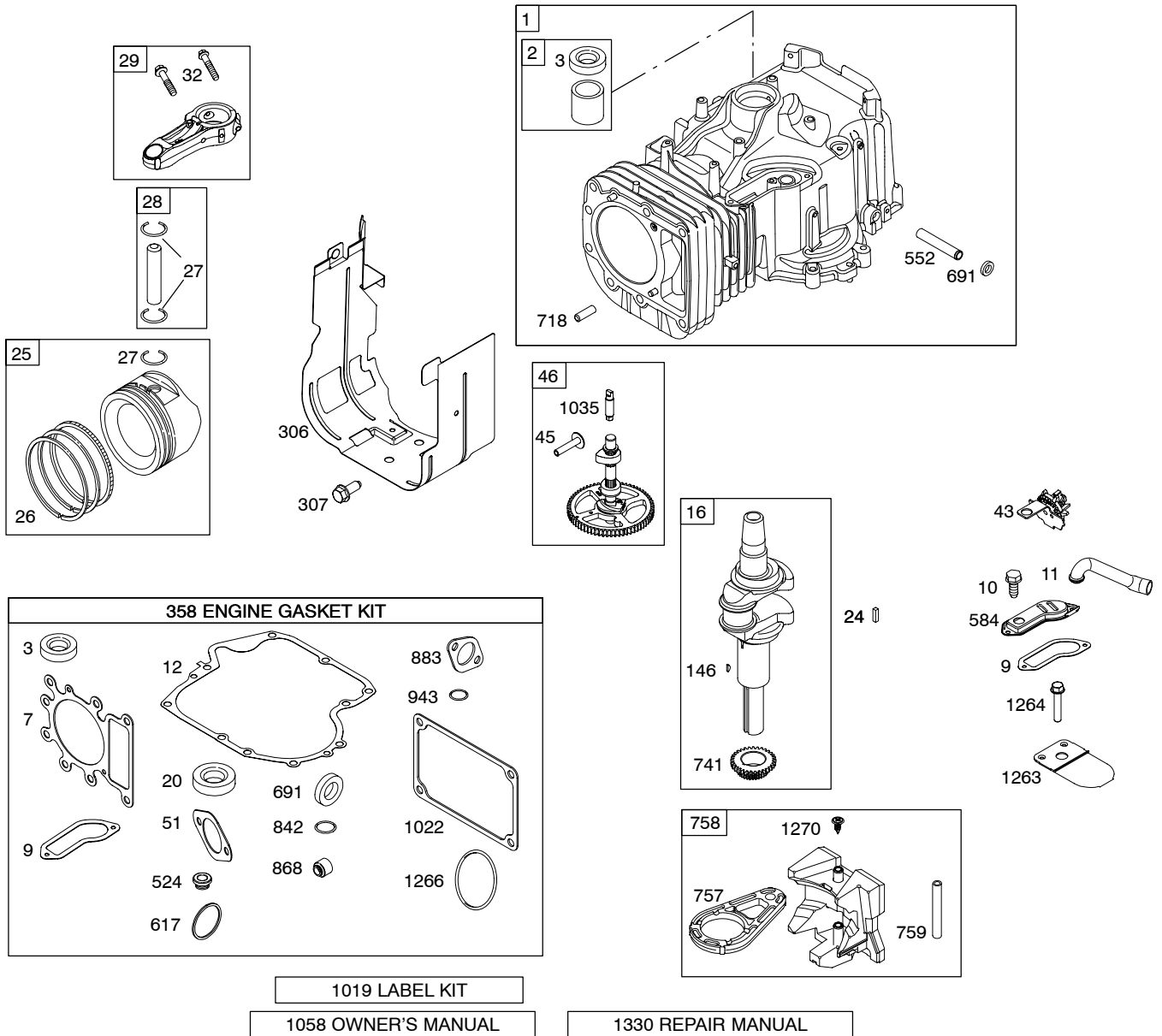
Valves 3



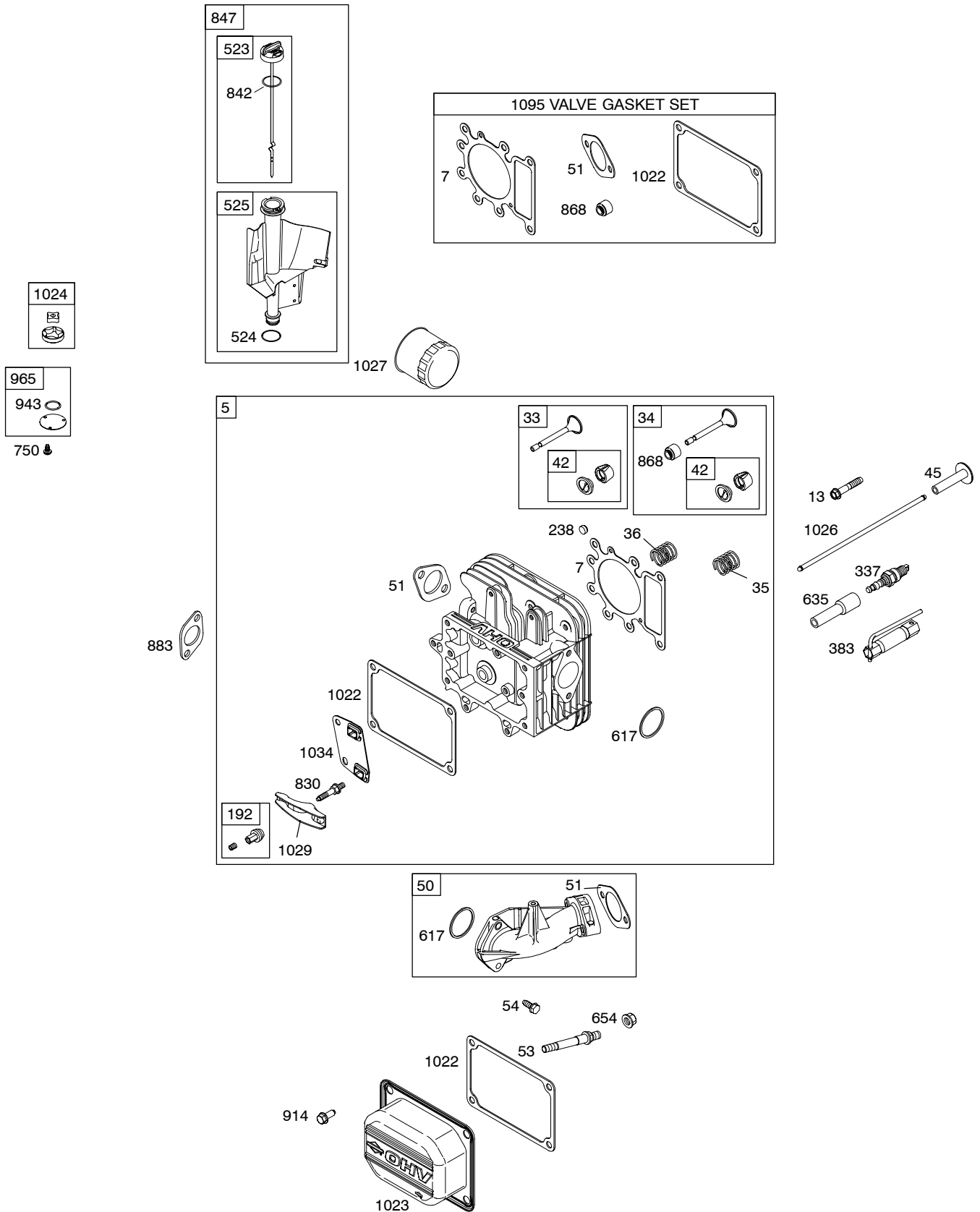
PRINTED IN U.S.A.

COPYRIGHT by BRIGGS & STRATTON CORPORATION
 All rights reserved. No part of this material may be reproduced or transmitted, in any form or by any means, electronic or mechanical, including photocopying, recording or by any information storage and retrieval system, without permission in writing from Briggs & Stratton Corporation.

286H00

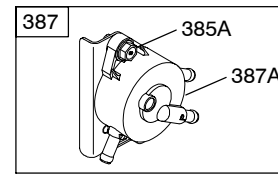
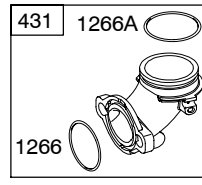
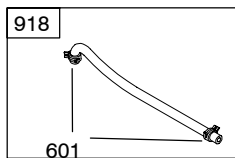
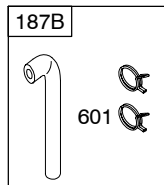
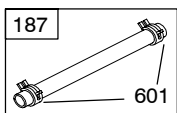
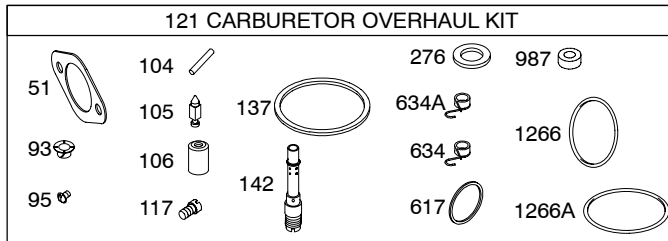
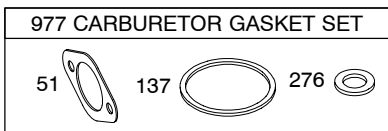
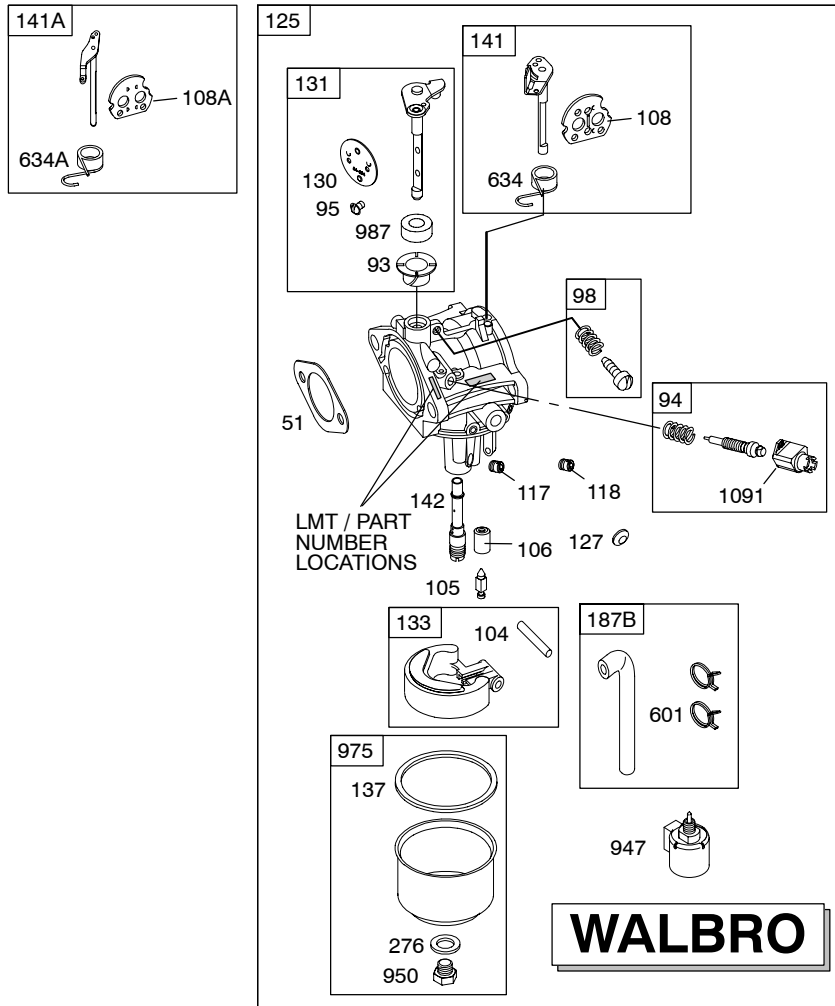


Illustrations cover a range of engines. Parts shown without corresponding text may not be used on your specific engine. 5112-2 Assemblies include all parts shown in frames. 12/05/2005

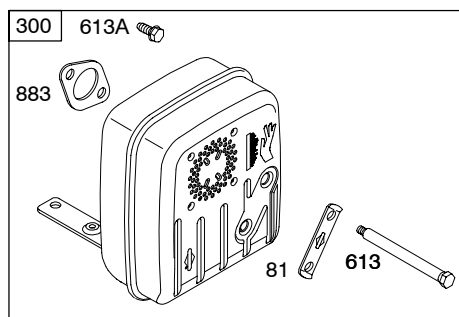
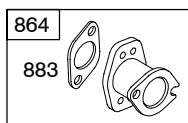
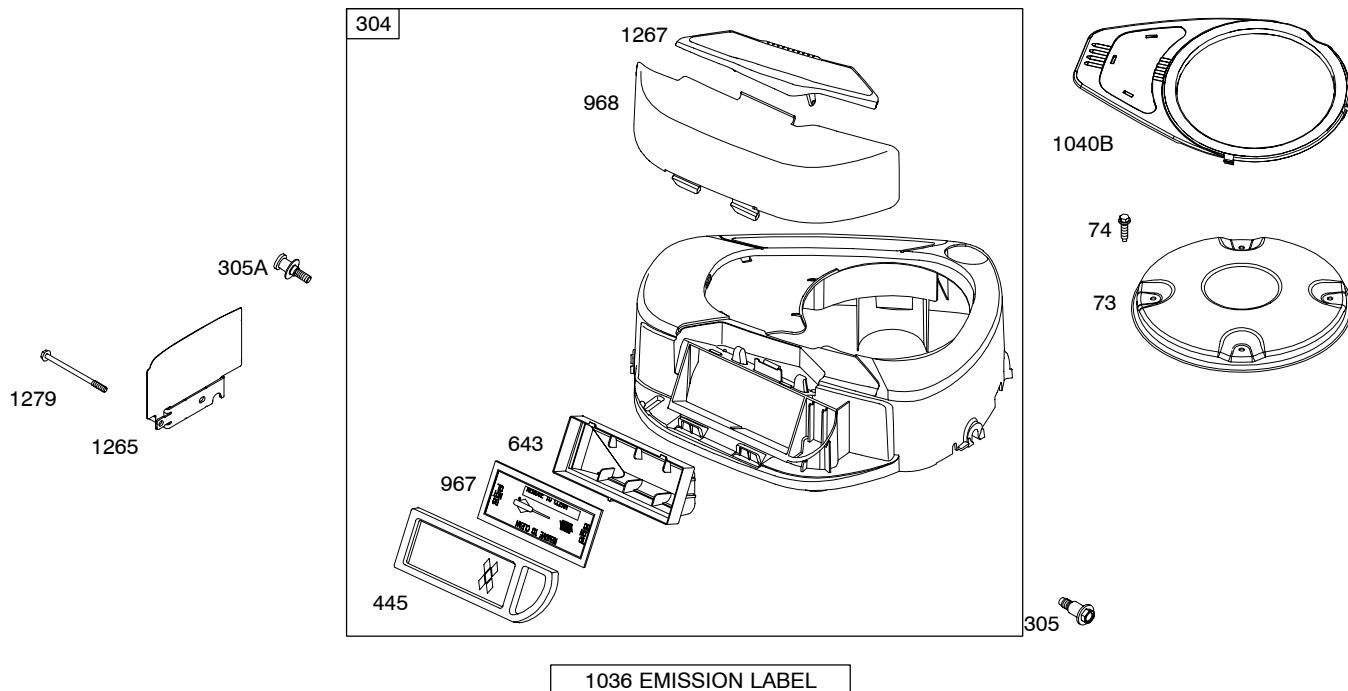


Illustrations cover a range of engines. Parts shown without corresponding text may not be used on your specific engine.
 5112-3 Assemblies include all parts shown in frames. 12/05/2005

286H00

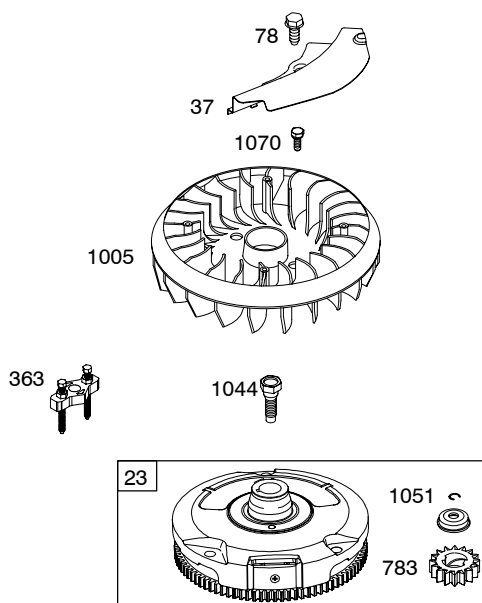


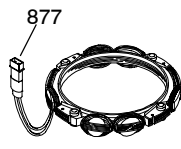
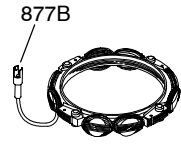
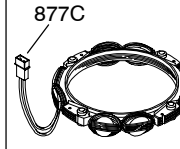

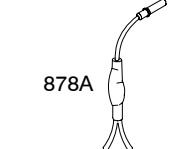
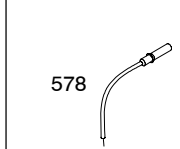
Illustrations cover a range of engines. Parts shown without corresponding text may not be used on your specific engine.
 5112-4 Assemblies include all parts shown in frames. 12/05/2005




Illustrations cover a range of engines. Parts shown without corresponding text may not be used on your specific engine.

286H00

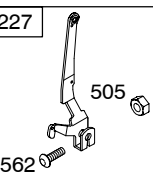
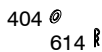
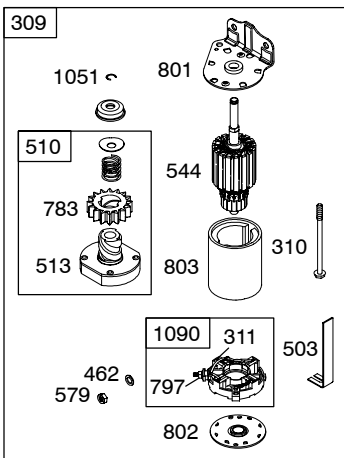
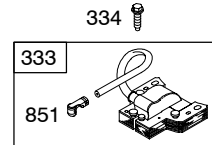
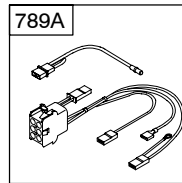
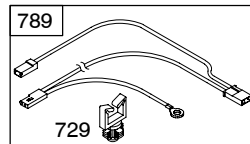


DUAL CIRCUIT		TRI CIRCUIT		10 AMP	
474A	1059	474B	1059	474C	1059
					
					



NOTE: All stators use a No. 1119 mounting screw. 

NOTE: The proper flywheel part number and/or the alternator magnet size will determine the alternator type or output. See repair instruction manual for additional information.



Illustrations cover a range of engines. Parts shown without corresponding text may not be used on your specific engine.

286H00

REF. NO.	PART NO.	DESCRIPTION	REF. NO.	PART NO.	DESCRIPTION	REF. NO.	PART NO.	DESCRIPTION
269	691026	Wire-Control (Cut To Required Length)	385A	690297	Screw (Fuel Pump) Used on Type No(s). 0122.	510	693699	Drive-Starter
270	691027	Nut (Control Wire Casing)	387	697090	Pump-Fuel (Includes Mounting Bracket) Used on Type No(s). 0122.	513	692024	Clutch-Drive
271	691028	Lever-Control	387A	808656	Pump-Fuel Used on Type No(s). 0122.	521	690581	Shield-Cable
276	◆692255	Washer-Sealing	404	691691	Washer (Governor Crank)	523	699908	Dipstick
300	697349	Muffler Used on Type No(s). 0122.	415	690283	Plug (Square Head)	524	★691032	Seal-Dipstick Tube
304	698599	Housing-Blower (Black) Used on Type No(s). 0121, 0122, 0165. ----- Note ----- 790929 Housing-Blower (Red) Used on Type No(s). 0101, 0186.	431	697122	Elbow-Intake	525	697184	Tube-Dipstick ----- Note ----- 697085 Tube-Dipstick Used on Type No(s). 0122.
305	697102	Screw (Blower Housing)	445	698083	Filter-Air Cleaner Cartridge (Non Washable)	526	697088	Screw (Regulator) Used on Type No(s). 0101, 0165. ----- Note ----- 697348 Screw (Regulator) Used on Type No(s). 0122.
305A	697103	Screw (Blower Housing)	462	691261	Washer (Starter Cable)	544	692034	Armature-Starter
306	697107	Shield-Cylinder	474A	696459	Alternator (Dual Circuit) Used on Type No(s). 0121, 0186.	552	697144	Bushing-Governor Crank
307	691003	Screw (Cylinder Shield)	474B	696457	Alternator (Tri Circuit) Used on Type No(s). 0101, 0165.	562	691119	Bolt (Governor Control Lever)
309	693551	Motor-Starter	474C	696458	Alternator (10 Amp Circuit) Used on Type No(s). 0122.	578	692306	Wire Assembly
310	690323	Screw (Starter Motor)	501	691188	Regulator Used on Type No(s). 0101, 0165. ----- Note ----- 691185 Regulator Used on Type No(s). 0122.	579	691029	Nut (Starter Cable)
311	497608	Brush Set	503	691532	Strap-Starter	584	697112	Cover-Breather Passage
333	492341	Armature-Magneto	505	691251	Nut (Governor Control Lever)	601	95162S	Clamp-Hose (Zinc Plate)(Spring Wire)
334	691061	Screw (Magneto Armature)				601	691416	Screw (Muffler)
337	491055S	Plug-Spark (Standard) Used on Type No(s). 0101, 0186. ----- Note ----- 691043 Plug-Spark Used on Type No(s). 0121, 0165.				613A	690297	Screw (Muffler)
356	697089	Wire-Stop (1 Wire, 8" Long)(2 Ring Terminals) Used on Type No(s). 0101.				614	691620	Pin-Cotter
358	697151	Gasket Set-Engine				616	692012	Crank-Governor
363	19203	Puller-Flywheel				617	★692138	Seal-O Ring (Intake Manifold)
383	89838S	Wrench-Spark Plug				634	◆690801	Spring/Seal Assembly (Walbro Carburetor Part No. 697204)
385	694476	Screw (Fuel Pump) Used on Type No(s). 0122.						

★ Included in Engine Gasket Set-Ref. No.358.

● Included in Carburetor Overhaul Kit-Ref. No. 121.

◆ Included in Carburetor Gasket Set-Ref. No. 977.

△ Included in Valve Gasket Set-Ref. No 1095.

Illustrations cover a range of engines. Parts shown without corresponding text may not be used on your specific engine.

286H00

REF. NO.	PART NO.	DESCRIPTION	REF. NO.	PART NO.	DESCRIPTION	REF. NO.	PART NO.	DESCRIPTION
634A	●690802	Spring/Seal Assembly (696181, 697202, 697203)	868	★△690968	Seal-Valve	1019	699459	Kit-Label
635	691909	Boot-Spark Plug	877	393456	Wire/Connector- Alternator (Dual Circuit)	1022★△	272475S	Gasket-Rocker Cover
643	698401	Retainer-Air Filter	877B	393537	Wire/Connector- Alternator (Tri Circuit)	1023	791079	Cover-Rocker
654	690958	Nut (Carburetor)	877C	399916	Wire/Connector- Alternator (10 Amp Circuit)	1024	499054	Pump-Oil
691	★692407	Seal-Governor Shaft	878	398661	Harness-Alternator (Alternator to Regulator)	1026	692003	Rod-Push (Intake) ----- Note -----
697	690372	Screw (Drive Cap)	878A	691955	Harness-Alternator (Alternator to Regulator)	1027	492932S	Filter-Oil
718	690959	Pin-Locating	883	★692236	Gasket-Exhaust	1029	691751	Arm-Rocker
729	691335	Clip-Wire (Wire Saddle)	914	691108	Screw (Rocker Cover)	1034	690822	Guide-Push Rod
729A	691224	Clip-Wire (Aluminum Coated Steel)	918	697091	Hose-Vacuum Used on Type No(s). 0122.	1035	693784	Shaft-Pump
741	697128	Gear-Timing	943	★690589	Seal-O Ring (Oil Pump Cover)	1036		Label-Emissions (Available from an Authorized Briggs & Stratton Service Dealer)
750	790832	Screw (Oil Pump Cover)	947	694393	Solenoid-Fuel	1040B	699852	Plate-Trim
757	697607	Link-Counterweight	950	691657	Screw-Float Bowl	1044	698139	Screw (Flywheel)
758	697134	Counterweight	965	499613	Cover-Oil Pump	1051	691265	Ring-Retaining
759	697392	Pin-Counterweight	967	697015	Filter-Pre Cleaner	1058	276344	Operator's Manual
783	693713	Gear-Pinion (DC)(10-16 AMP)	968	698403	Cover-Air Cleaner (Black) Used on Type No(s). 0121, 0122, 0165. ----- Note -----	1059	698516	Kit-Screw/Washer
789	692037	Harness-Wiring Used on Type No(s). 0101, 0121, 0122, 0165.	975	495933	Bowl-Float	1070	690372	Screw (Flywheel Fan)
789A	698329	Harness-Wiring Used on Type No(s). 0186.	977	690192	Gasket Set-Carburetor			
797	693167	Nut (Brush Retainer)	987	●691326	Seal-Throttle Shaft			
801	691283	Cap-Drive	1005	697111	Fan-Flywheel			
802	691286	Cap-End	1017	690770	Screen-Oil Pump (Push In)			
803		Housing-Starter (Not Serviced Separately, Order Starter Motor 693551)						
823	698941	Screw (Muffler Adapter)						
830	691095	Stud-Rocker Arm						
842	★691031	Seal-O Ring (Dipstick Tube)						
847	790442	Dipstick/Tube Assembly ----- Note ----- 790443 Dipstick/Tube Assembly Used on Type No(s). 0122.						
851	692424	Terminal-Spark Plug						
864	697346	Adapter-Muffler Used on Type No(s). 0122.						

★ Included in Engine Gasket Set-Ref. No.358.

● Included in Carburetor Overhaul Kit-Ref. No. 121.

◆ Included in Carburetor Gasket Set-Ref. No. 977.

△ Included in Valve Gasket Set-Ref. No 1095.

Illustrations cover a range of engines. Parts shown without corresponding text may not be used on your specific engine.

5112-10

Assemblies include all parts shown in frames.

12/05/2005

286H00

REF. NO.	PART NO.	DESCRIPTION	REF. NO.	PART NO.	DESCRIPTION	REF. NO.	PART NO.	DESCRIPTION
1090	691293	Retainer-Brush	1267	697419	Latch-Blower Housing (Black)	1270	697156	Plug-AVS Counterweight
1091	691333	Cap-Limiter			Used on Type No(s). 0121, 0122, 0165.	1279	691108	Screw (Blower Housing Support)
1095	691581	Gasket Set-Valve			----- Note -----	1330	272147	Repair Manual
1119	691183	Screw (Alternator)			697662 Latch-Blower Housing (Red)			
1263	697124	Reed-Breather			Used on Type No(s). 0186.			
1264	697104	Screw (Breather Reed)			697424 Latch-Blower Housing (Red)			
1265	697125	Support-Blower Housing			Used on Type No(s). 0101.			
1266	★●691917	Seal-O Ring (Intake Elbow)						
1266A	●697123	Seal-O Ring (Intake Elbow)						

★ Included in Engine Gasket Set-Ref. No.358.

● Included in Carburetor Overhaul Kit-Ref. No. 121.

◆ Included in Carburetor Gasket Set-Ref. No. 977.

△ Included in Valve Gasket Set-Ref. No 1095.

Illustrations cover a range of engines. Parts shown without corresponding text may not be used on your specific engine.