

28S700

Illustrated Parts List Model Series 28S700

TYPE NUMBERS
1100 through 1151.

For Use On Engines Built Before Date Code – 01053100

TABLE OF CONTENTS

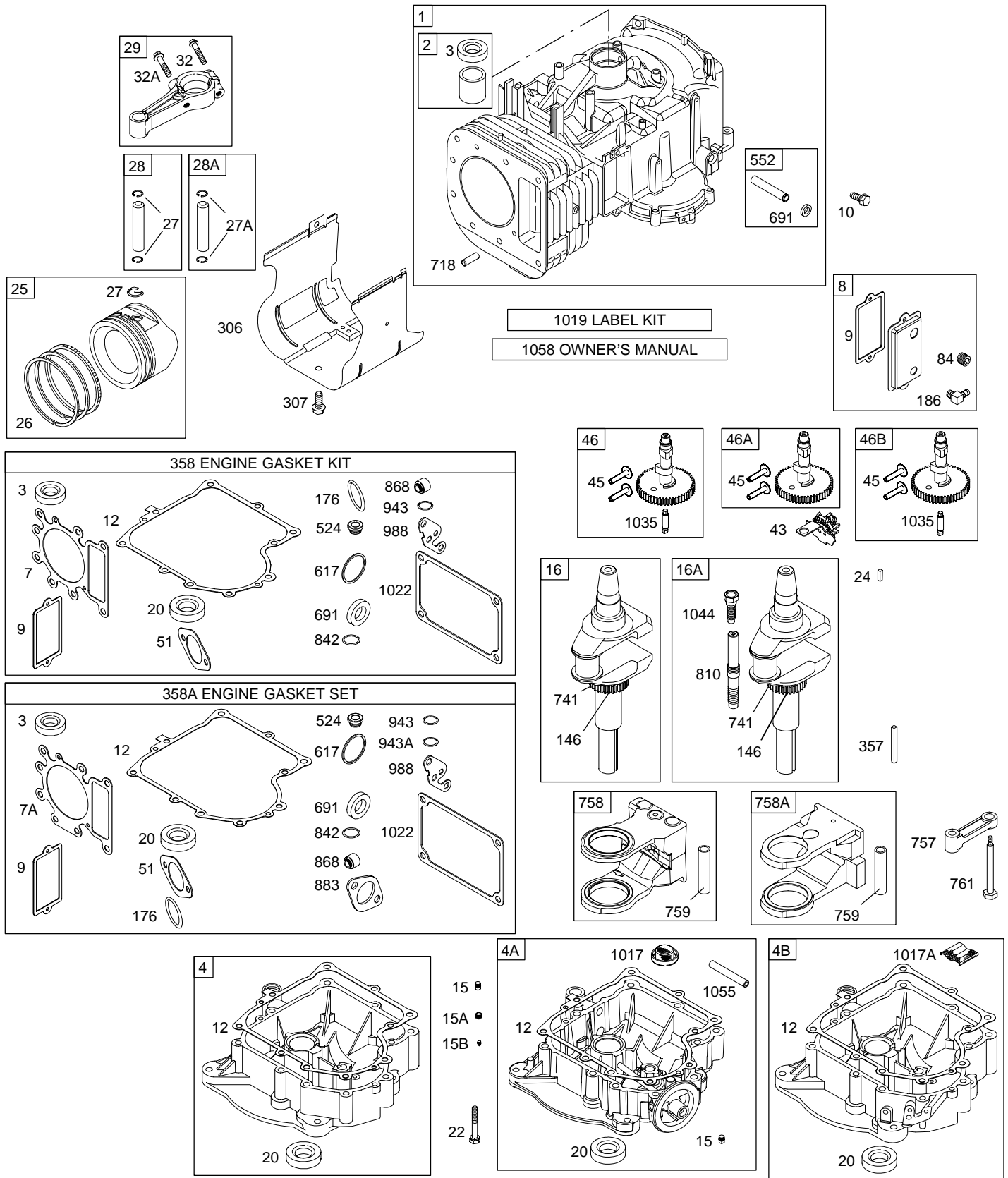
Alternator	9
Air Cleaner	5
Blower Housing/Shrouds	7
Cams	2
Carburetor	4
Controls	6
Crankcase Cover/Sump	2
Crankshaft	2
Cylinder	2
Electric Starter	10
Flywheel	8
Fuel Tank	6
Governor Spring	6
Head	3
Ignition	9
Kits/Gaskets–Carburetor	4
Kits/Gaskets–Valve	2
Muffler	5
Oil	3
Piston Group	2
Rewind	8
Valves	3

PRINTED IN U.S.A.

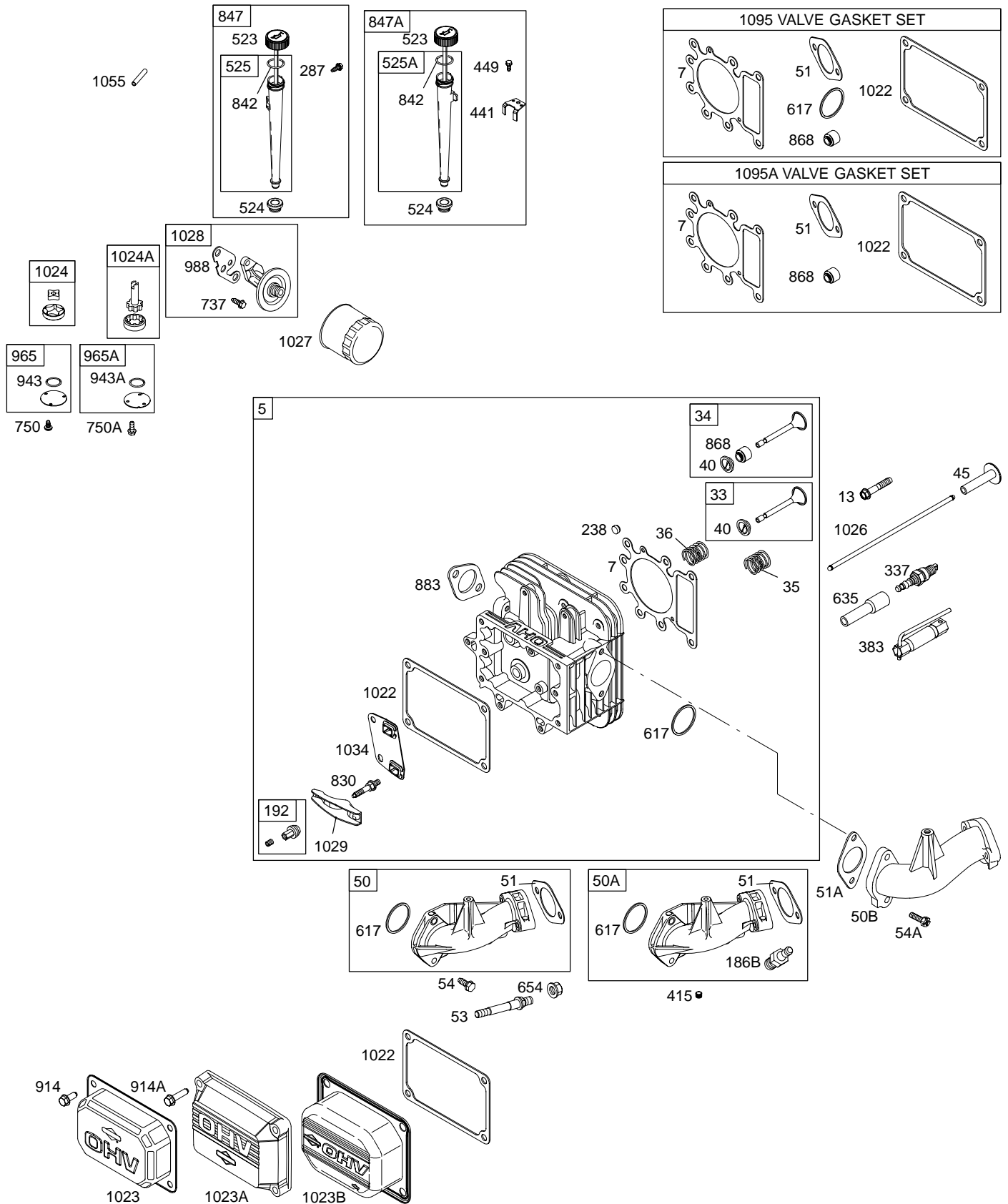


COPYRIGHT by BRIGGS & STRATTON CORPORATION
 All rights reserved. No part of this material may be reproduced or transmitted, in any form or by any means, electronic or mechanical, including photocopying, recording or by any information storage and retrieval system, without permission in writing from Briggs & Stratton Corporation.

28S700

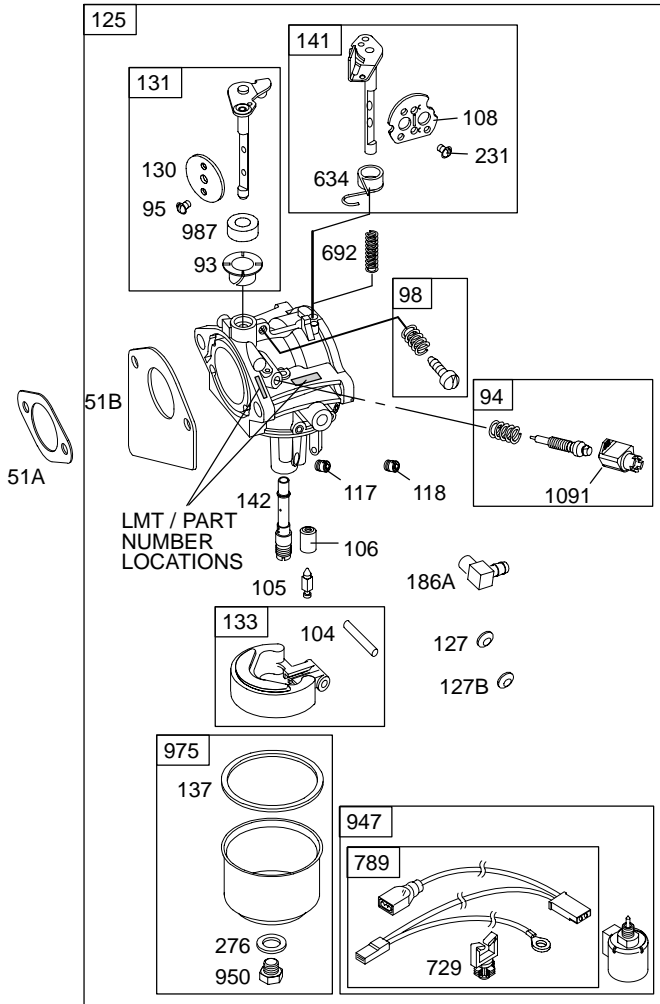


Illustrations cover a range of engines. Parts shown without corresponding text may not be used on your specific engine.
 2674-2 Assemblies include all parts shown in frames. 3C-6/2001

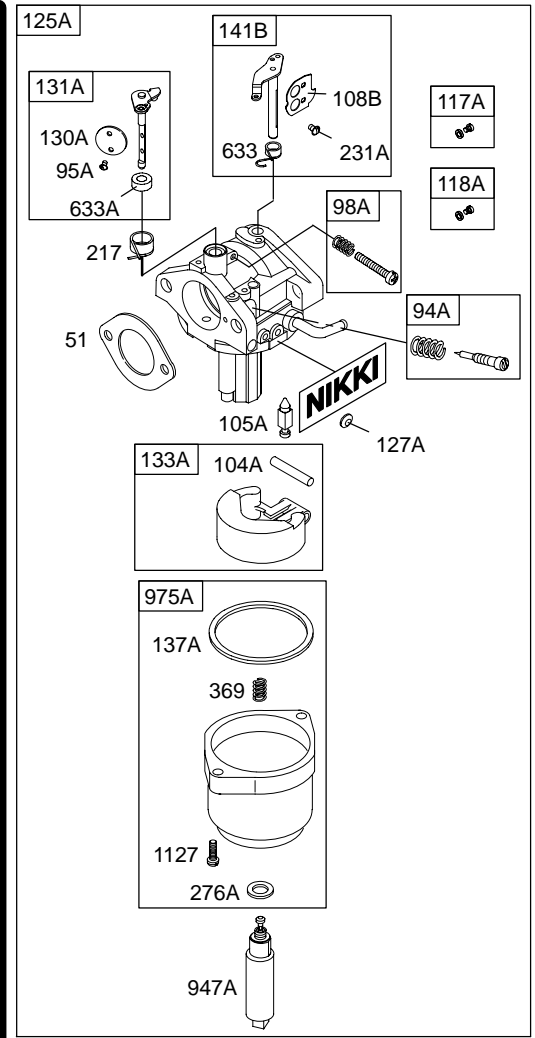


Illustrations cover a range of engines. Parts shown without corresponding text may not be used on your specific engine.
 2674-3 Assemblies include all parts shown in frames. 3C-6/2001

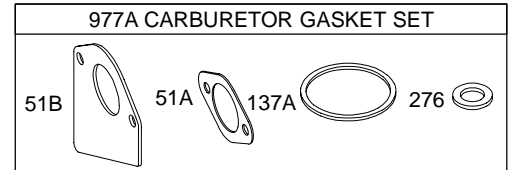
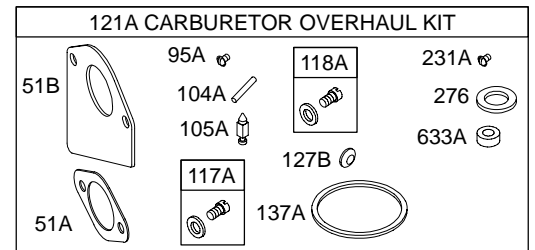
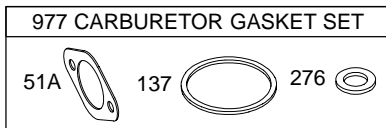
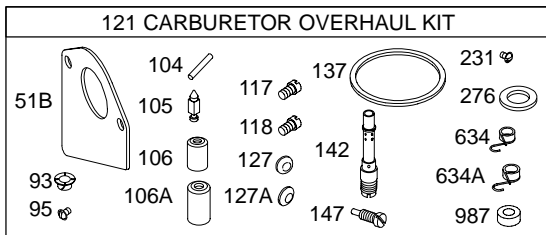
28S700



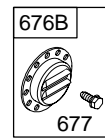
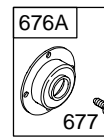
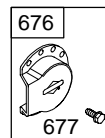
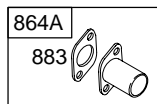
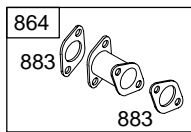
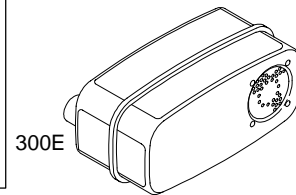
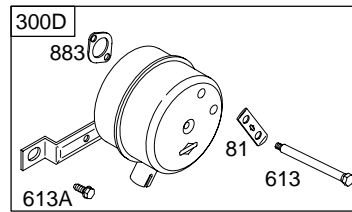
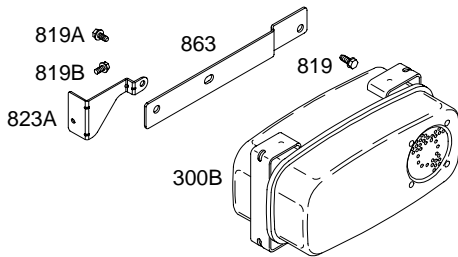
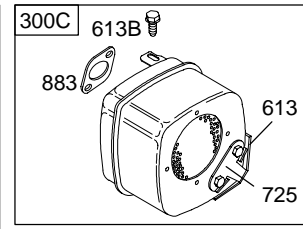
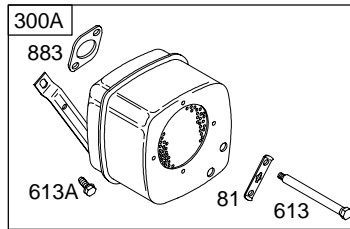
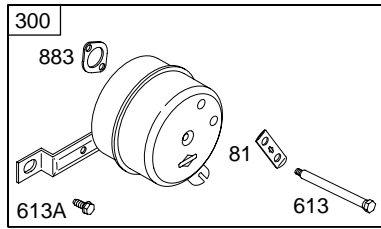
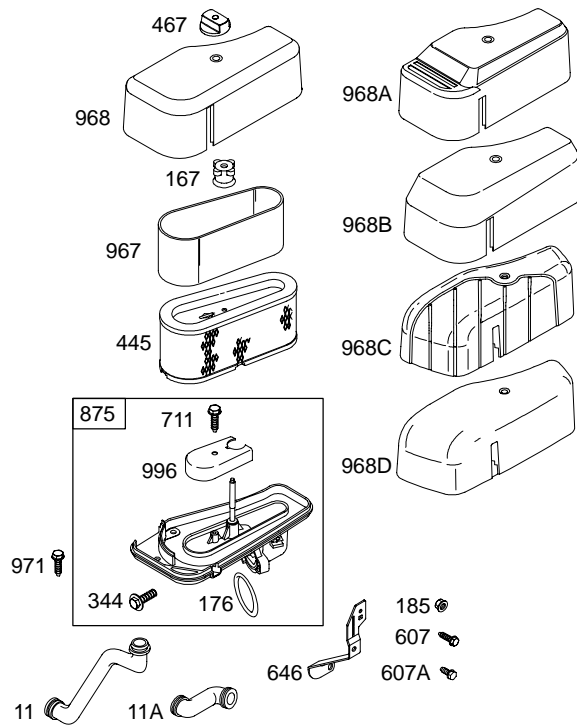
WALBRO



NIKKI

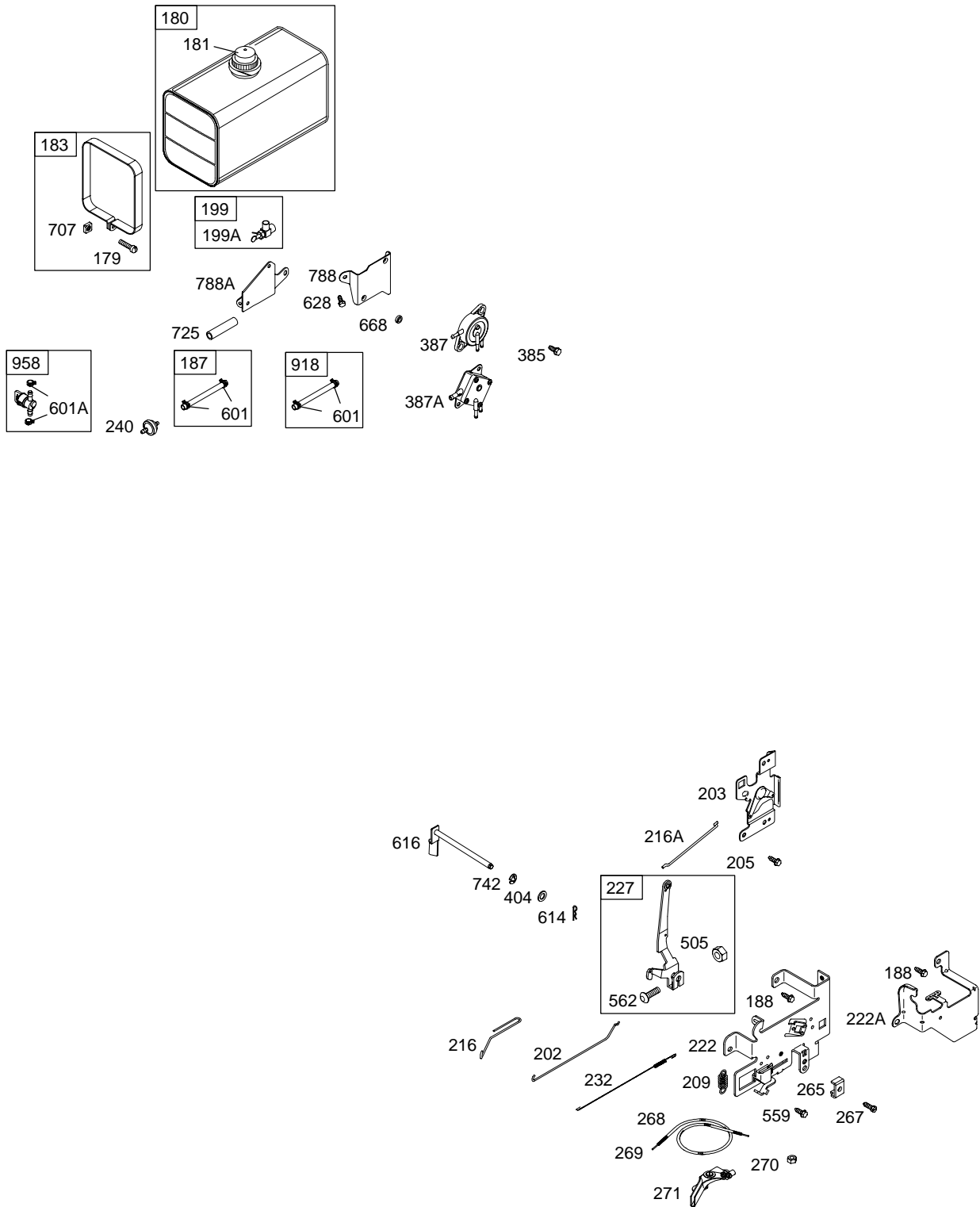


Illustrations cover a range of engines. Parts shown without corresponding text may not be used on your specific engine. Assemblies include all parts shown in frames.

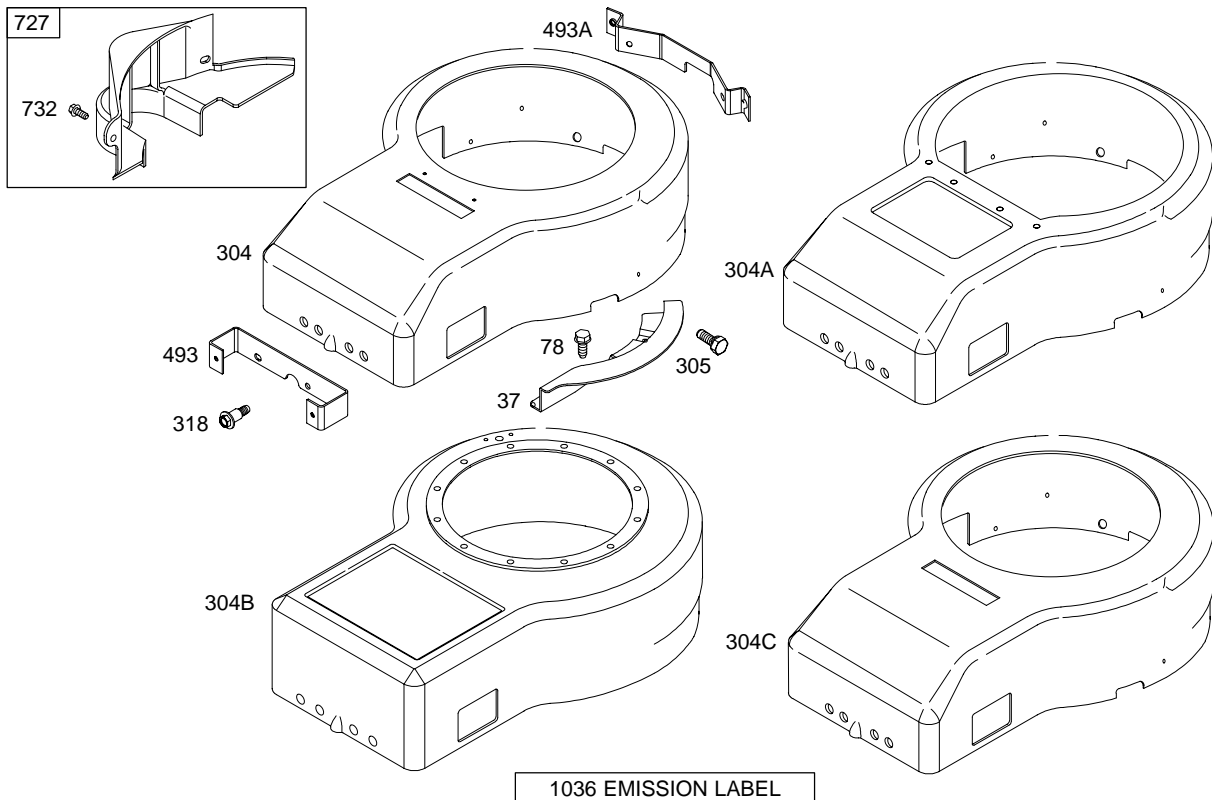
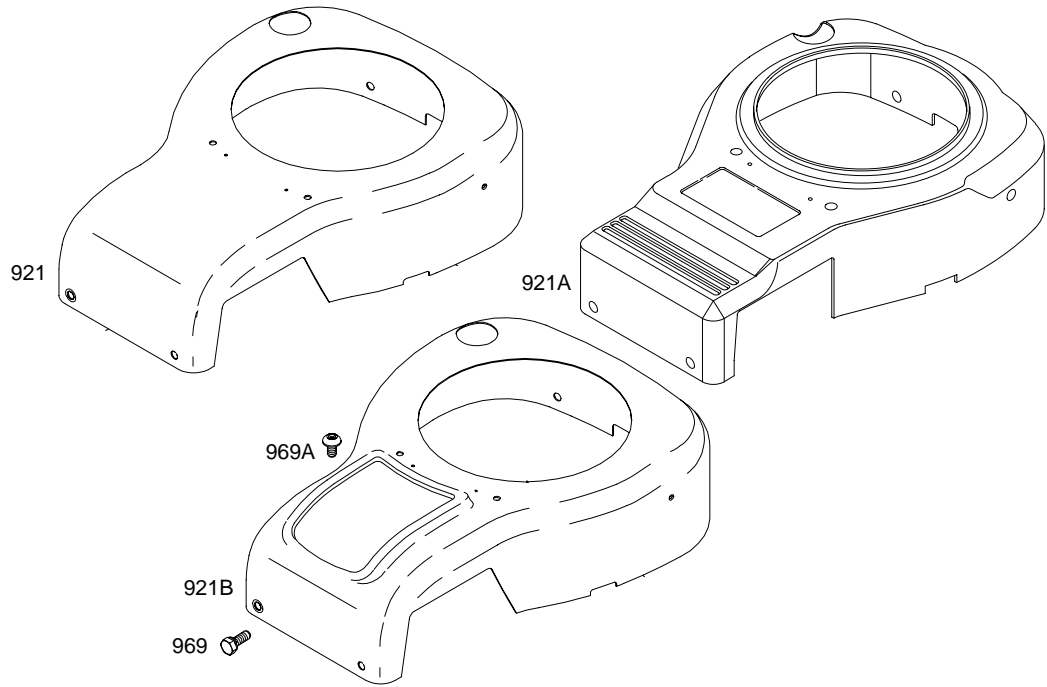


Illustrations cover a range of engines. Parts shown without corresponding text may not be used on your specific engine.
 2674-5 Assemblies include all parts shown in frames. 3C-6/2001

28S700

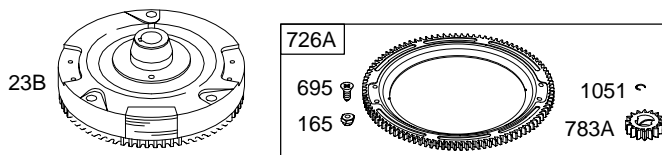
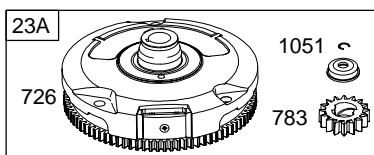
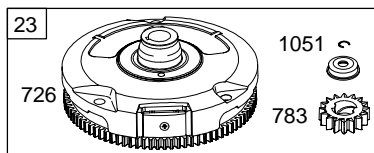
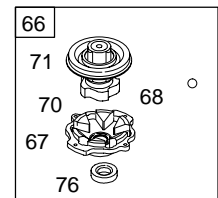
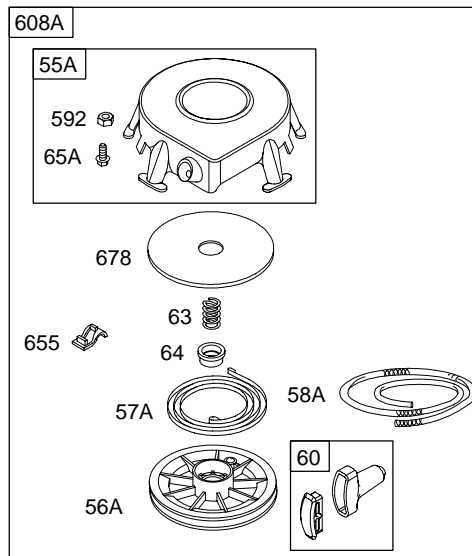
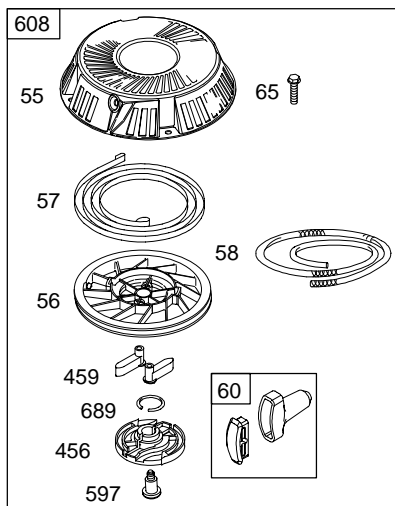
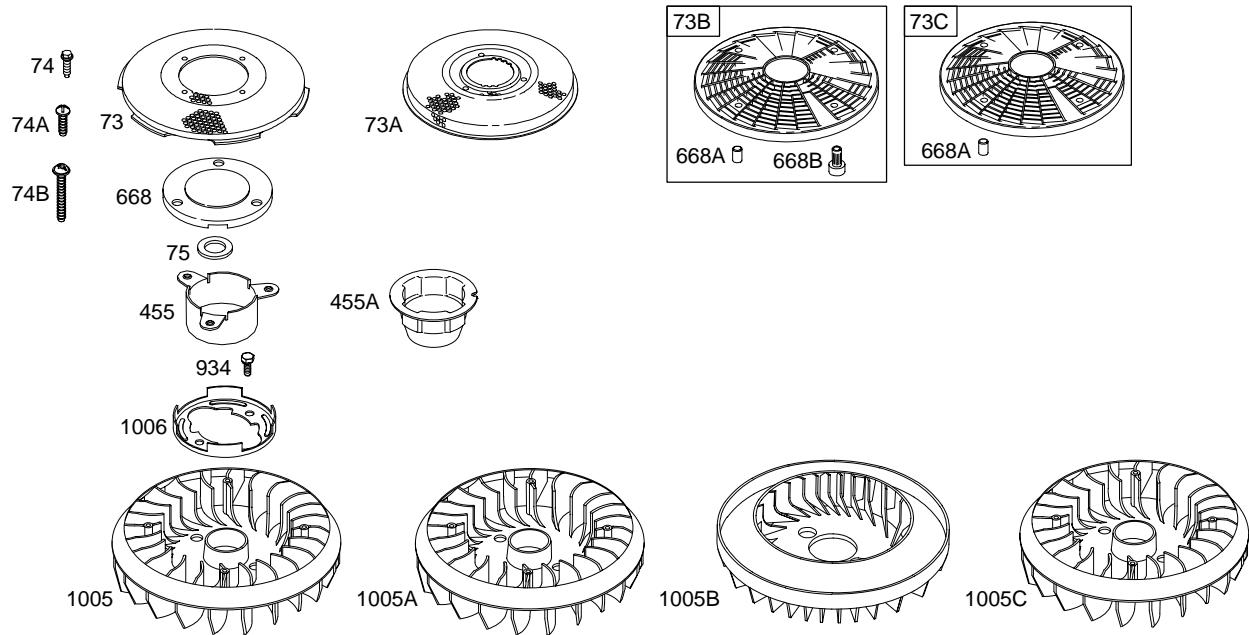


Illustrations cover a range of engines. Parts shown without corresponding text may not be used on your specific engine.
2674-6 Assemblies include all parts shown in frames. 3C-6/2001

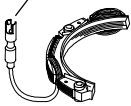





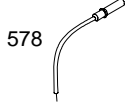

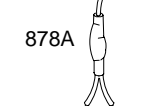
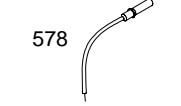
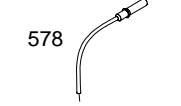
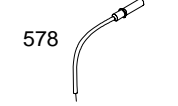

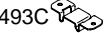

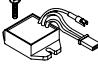






Illustrations cover a range of engines. Parts shown without corresponding text may not be used on your specific engine.
2674-7 Assemblies include all parts shown in frames. 3C-6/2001

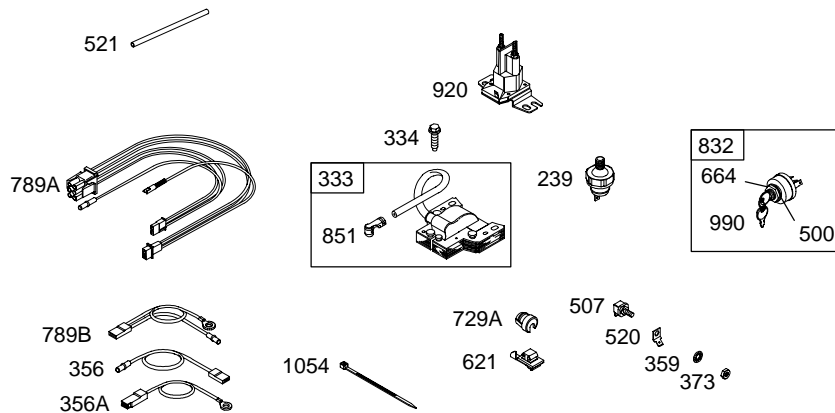
28S700



Illustrations cover a range of engines. Parts shown without corresponding text may not be used on your specific engine.
 2674-8 Assemblies include all parts shown in frames. 3C-6/2001

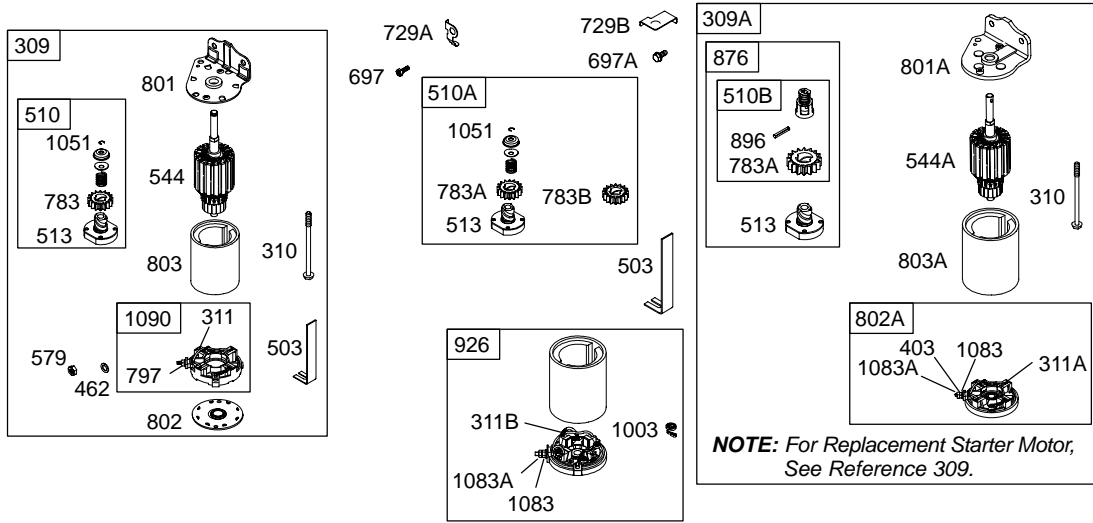
DC ONLY	DUAL CIRCUIT	TRI CIRCUIT	10 AMP	16 AMP	9AMP
474 877A 	474A 877 	474B 877B 	474C 877C 	474C 877C 	474B 877B 
578 	878 	878A 	578 	578 	578 
493B  493C  813 			526A  501 		526  501A 

NOTE: All Stators Use No. 1119 Mounting Screw. 



Illustrations cover a range of engines. Parts shown without corresponding text may not be used on your specific engine.
 2674-9 Assemblies include all parts shown in frames. 3C-6/2001

28S700



Illustrations cover a range of engines. Parts shown without corresponding text may not be used on your specific engine.
 2674-10 Assemblies include all parts shown in frames. 3C-6/2001

REF. NO.	PART NO.	DESCRIPTION	REF. NO.	PART NO.	DESCRIPTION	REF. NO.	PART NO.	DESCRIPTION
1	496412	Cylinder Assembly	23B	690222	Flywheel (Plastic Ring Gear)	32	692852	Screw (Connecting Rod) (Used After Code Date 98063000).
2	399265	Kit-Bushing/Seal (Magneto Side)	24	222698	Key-Flywheel			Note 690356 Screw (Connecting Rod) (1 7/8 Long) (Used Before Code Date 98070100).
3	★391086	Seal-Oil (Magneto Side)	25	499284	Piston Assy-Standard (Standard)			
4	693582	Sump-Engine (Used After Code Date 98063000).			Note 499288 Piston Assembly (.010" Oversize)	32A	690348	Screw (Connecting Rod) (1 5/8 Long) (Used Before Code Date 98070100).
4A	496742	Sump-Engine (Used Before Code Date 98070100).			499292 Piston Assembly (.020" Oversize)			
		Note 494238 Sump-Engine Used on Type No(s). 1149, 1150.			499296 Piston Assembly (.030" Oversize)			
5	691165	Head-Cylinder	26	495854	Ring Set (Standard)	33	495856	Valve-Exhaust
7	Δ★273280	Gasket-Cylinder Head			Note 495852 Ring Set (.010" Oversize)	34	495857	Valve-Intake
8	696126	Breather Assembly			495851 Ring Set (.020" Oversize)	35	691279	Spring-Valve (Intake)
9	★27803	Gasket-Breather			495855 Ring Set (.030" Oversize)	36	691279	Spring-Valve (Exhaust)
10	691666	Screw (Breather Assembly)				37	690456	Guard-Flywheel
11	691328	Tube-Breather				40	691752	Retainer-Valve
12	★692226	Gasket-Crankcase (.015" Thick, Standard)				43	691968	Slinger-Governor/Oil
		Note ★692406 Gasket- Crankcase (.005" Thick) ★692405 Gasket- Crankcase (.009" Thick)	27	691299	Lock-Piston Pin	45	690564	Tappet-Valve
			28	498319	Pin-Piston (Standard)	46	693450	Camshaft (Used After Code Date 98063000).
					Note 498320 Pin-Piston (.005" Oversize)	46A	692422	Camshaft (Used Before Code Date 98070100).
13	690360	Screw (Cylinder Head)	29	692419	Rod-Connecting (Standard) (Used After Code Date 98063000).			Note 692421 Camshaft Used on Type No(s). 1149, 1150.
15	691680	Plug-Oil Drain			Note 494504 Rod- Connecting (Standard) (Used Before Code Date 98070100).	50	690193	Manifold-Intake
		Note 690946 Plug-Oil Drain Used on Type No(s). 1148.			692420 Rod- Connecting (.020" Undersize) (Used After Code Date 98063000).	51★◆	692137	Gasket-Intake
16	690136	Crankshaft (Used After Code Date 98063000).			495490 Rod- Connecting (.020" Undersize) (Used Before Code Date 98070100).	53	690227	Stud (Carburetor)
		Note 495162 Crankshaft (Used Before Code Date 98070100).				54	691148	Screw (Intake Manifold)
20	★291675	Seal-Oil (PTO Side)						
22	692125	Screw (Engine Sump)						
23	693557	Flywheel (Steel Ring Gear)						
		Note 693556 Flywheel (Steel Ring Gear) Used on Type No(s). 1111, 1151.						

★ Included in Engine Gasket Set-Ref. No.358.

● Included in Carburetor Overhaul Kit-Ref. No. 121.

◆ Included in Carburetor Gasket Set-Ref. No. 977.

⊘ Included in Valve Gasket Set-Ref. No 1095.

Illustrations cover a range of engines. Parts shown without corresponding text may not be used on your specific engine.

28S700

REF. NO.	PART NO.	DESCRIPTION	REF. NO.	PART NO.	DESCRIPTION	REF. NO.	PART NO.	DESCRIPTION
73A	690492	Screen—Rotating	121A	695427	Kit—Carburetor Overhaul (Nikki)	209	692208	Spring—Governor
73C	494439	Screen—Rotating						Note
74	691674	Screw (Rotating Screen)	125	690194	Carburetor (For Choke A Matic and Manual Choke)			690480 Spring—Governor Used on Type No(s). 1144.
74A	691665	Screw (Rotating Screen)						691795 Spring—Governor Used on Type No(s). 1111.
75	690582	Washer (Flywheel)			Note			
78	690661	Screw (Flywheel Guard)			693194 Carburetor (For Choke A Matic and Manual Choke) Used on Type No(s). 1144, 1151.	216	691840	Link—Choke
84	690343	Plug—Breather				217	695409	Spring—Choke Return
89	690283	Plug—Oil (Oil Pressure Switch)	125A		Carburetor (Nikki) (Service with Walbro Carburetor)	222	694042	Bracket—Control (Used After Code Date 99010700).
93	690602	Bushing—Throttle Shaft						Note
94	498030	Kit—Idle Mixture	127	695005	Plug—Welch			691644 Bracket—Control (Used Before Code Date 99010800).
94A	695425	Kit—Idle Mixture	127A	690727	Plug—Welch			
95	691636	Screw (Throttle Valve)	130	691750	Valve—Throttle			
95A	690718	Screw (Throttle Valve)	130A	695418	Valve—Throttle	227	691374	Lever—Governor Control
98	495800	Kit—Idle Speed	131	494379	Kit—Throttle Shaft			
98A	695408	Kit—Idle Speed	131A	695421	Kit—Throttle Shaft	231	691636	Screw (Choke Valve)
104	690525	Pin—Float Hinge	133	494381	Float—Carburetor	231A	690718	Screw (Choke Valve)
104A	694918	Pin—Float Hinge	133A	694914	Float—Carburetor			
105	6921855	Valve—Float Needle	137	6921165	Gasket—Float Bowl	232	691842	Spring—Governor Link
105A	694922	Valve—Float Needle	137A	695426	Gasket—Float Bowl	238	691843	Cap—Valve
106	690577	Seat—Inlet (Gravity Feed)	141	495097	Kit—Choke Shaft (Manual Choke)	240	298090	Filter—Fuel
		Note	141A	495931	Kit—Choke Shaft (Choke A Matic)			Note
		691780 Seat—Inlet (Pump Feed) Used on Type No(s). 1144, 1151.	141B	695420	Kit—Choke Shaft			394358 Filter—Fuel Used on Type No(s). 1151.
108	690464	Valve—Choke (Manual Choke)	142	692412	Nozzle—Carburetor	265	691024	Clamp—Casing
108A	692344	Valve—Choke (Choke A Matic)	146	691639	Key—Timing	267	690804	Screw (Casing Clamp)
108B	695419	Valve—Choke	165	693148	Nut (Ring Gear)	267A	693675	Screw (Casing Clamp)
117	692408	Jet—Main (Standard)	167	692297	Seal—Air Cleaner Nut	268	691025	Casing—Control Wire (Cut to Required Length)
117A	695415	Jet—Main (Standard)	176	691917	Seal—O Ring (Air Cleaner Base)	269	691026	Wire—Control (Cut to Required Length)
118	692411	Jet—Main (High Altitude)	185	690958	Nut (Air Cleaner Base)	270	691027	Nut (Control Wire Casing)
118A	695416	Jet—Main (High Altitude)	186	691609	Connector—Hose (Vacuum Line)	271	691028	Lever—Control
121	690191	Kit—Carburetor Overhaul (Walbro)	187	691050	Line—Fuel (Cut to Required Length)	276	692255	Washer—Sealing
			188	691693	Screw (Control Bracket)	276A	695410	Washer—Sealing
			186A	692317	Connector—Hose	287	691002	Screw (Dipstick Tube)
			192	691986	Adjuster—Rocker Arm			
			202	691841	Link—Mechanical Governor			

★ Included in Engine Gasket Set—Ref. No.358.

● Included in Carburetor Overhaul Kit—Ref. No. 121.

◆ Included in Carburetor Gasket Set—Ref. No. 977.

⊘ Included in Valve Gasket Set—Ref. No 1095.

Illustrations cover a range of engines. Parts shown without corresponding text may not be used on your specific engine.

REF. NO.	PART NO.	DESCRIPTION	REF. NO.	PART NO.	DESCRIPTION	REF. NO.	PART NO.	DESCRIPTION	
304	690497	Housing-Blower (Black)	318	692127	Screw (Mounting Bracket)	544	692034	Armature-Starter (3 5/8" Housing Length)	
305	690960	Screw (Blower Housing)	333	495859	Armature-Magneto	544A	390837	Armature-Starter (For 3 5/8" Housing Length)	
306	690499	Shield-Cylinder	334	691061	Screw (Magneto Armature)				
307	691003	Screw (Cylinder Shield)	337	491055	Sparkplug				
309	693551	Motor-Starter (For Steel Ring Gear Only)			Note			Note	
		Note	356A	690807	Wire-Stop			490309	Armature-Starter (For 4 3/8" Housing Length)
		497595	358	691580	Gasket Set-Engine	552	491986	Bushing-Governor Crank	
		Motor-Starter (3 5/8" Housing Length)(For Plastic Ring Gear Only)	363	19203	Flywheel Puller	559	690661	Screw (Remote Choke Stop)	
		693054	369	695422	Spring-Float Bowl	562	691119	Bolt (Governor Control Lever)	
		Motor-Starter (3 5/8" Housing Length)(For Aluminum Ring Gear Only)	383	89838	Wrench-Sparkplug	579	691029	Nut (Starter Cable)	
		497401	385	690960	Screw (Fuel Pump)	601	95162	Clamp-Hose	
		Motor-Starter (4 3/8" Housing Length)(For Plastic Ring Gear Only)	387	808656	Pump-Fuel	607	690703	Screw (Air Cleaner Brace)	
		499521	403	690288	Washer (End Cap)	607A	691693	Screw (Air Cleaner Brace)	
		Motor-Starter (4 3/8" Housing Length)(For Aluminum Ring Gear Only)	404	691691	Washer (Governor Crank)	613	691416	Screw (Muffler)	
309A		Motor-Starter (For Replacement Starter Motor, See Ref 309)	445	496894	Filter-Air Cleaner Cartridge	614	691620	Pin-Cotter	
			462	691261	Washer (Starter Cable)	616	692012	Crank-Governor	
			467	691668	Knob-Air Cleaner	617	Δ★692138	Seal-O Ring (Intake Manifold)	
			474A	691063	Alternator	628	690661	Screw (Fuel Pump Bracket)	
			474B	691065	Alternator	633	695414	Seal-Choke/Throttle Shaft	
			493	694475	Bracket-Mounting (Regulator)	634	●690801	Spring/Seal Assembly (Manual Choke)	
			493A	690493	Bracket-Mounting (Front)	634A	●690802	Spring/Seal Assembly (Choke A Matic)	
			493B	690494	Bracket-Mounting (Rear)	635	691909	Boot-Sparkplug	
			501A	691188	Regulator	646	690460	Brace-Air Cleaner	
			503	691532	Strap-Starter	668	691323	Spacer	
			505	691251	Nut (Governor Control Lever)	668A	691500	Spacer	
			510	693699	Drive-Starter (Used With Steel Ring Gear)	691	★692407	Seal-Governor Shaft	
			510A	497606	Drive-Starter (Used With Aluminum & Plastic Ring Gears)	692	690572	Spring-Detent	
			510B	495878	Drive-Starter	695	693109	Screw (Ring Gear)	
			513	692024	Clutch-Drive	697	690372	Screw (Drive Cap)	
			521	690581	Shield-Cable	697A	691058	Screw (Drive Cap)	
			523	495230	Dipstick				
			524	★281370	Seal-Dipstick Tube				
			525	691398	Tube-Dipstick				
			526	694476	Screw (Regulator)				

★ Included in Engine Gasket Set-Ref. No.358.

● Included in Carburetor Overhaul Kit-Ref. No. 121.

◆ Included in Carburetor Gasket Set-Ref. No. 977.

⊘ Included in Valve Gasket Set-Ref. No 1095.

Illustrations cover a range of engines. Parts shown without corresponding text may not be used on your specific engine.

28S700

REF. NO.	PART NO.	DESCRIPTION	REF. NO.	PART NO.	DESCRIPTION	REF. NO.	PART NO.	DESCRIPTION
711	690703	Screw	802	691286	Cap-End	926	498233	Kit-Housing/Cap
718	690959	Pin-Locating	802A	395537	Cap-End			(For 4 9/16" Housing Length)
726		Gear-Ring (Steel)			(For 3 5/8" Housing Length)	934	94627	Screw
		(See Ref. 23 For Service)			Note			(Fan Retainer)
726A	399676	Gear-Ring (Aluminum)			494988 Cap-End	943	690589	Seal-O Ring
		(Services Plastic Ring Gear Only)	803	693757	Housing-Starter			(Oil Pump Cover)
727	490324	Cover-Starter Drive			(For 4 3/8" Housing Length)			(Used After Code Date 98063000).
729	691335	Clip-Wire	803A	398159	Housing-Starter	943A	★690604	Seal-O Ring
729A	691224	Clip-Wire			(For 3 5/8" Housing Length)			(Oil Pump Cover)
729B	224723	Clip-Wire			Note			(Used Before Code Date 98070100).
732	691002	Screw			494205 Housing-Starter	947	497672	Solenoid-Fuel
		(Starter Drive Cover)			(For 4 3/8" Housing Length)	947A	695423	Solenoid-Fuel
737	691118	Screw			823 690363 Screw	958	494768	Valve-Fuel Shut Off
		(Oil Filter Adapter)			(Muffler Adapter)	965	499613	Cover-Oil Pump
741	691284	Gear-Timing	830	691095	Stud			(Used After Code Date 98063000).
750	691033	Screw			(Rocker Arm)	965A	496745	Cover-Oil Pump
		(Oil Pump Cover)	842	★691870	Seal-O Ring			(Used Before Code Date 98070100).
		(Used After Code Date 98063000).			(Dipstick Tube)	967	272403	Filter-Pre Cleaner
750A	692198	Screw	847	496415	Dipstick/Tube Assembly	968	692502	Cover-Air Cleaner
		(Oil Pump Cover)			851 692424 Terminal-Sparkplug	969	690365	Screw
		(Used Before Code Date 98070100).	864	495864	Adapter-Muffler			(Blower Housing Cover)
757	691714	Link-Counterweight			Used on Type No(s). 1149, 1150.	969A	690960	Screw
758	692423	Counterweight	868	Δ★690968	Seal-Valve			(Blower Housing Cover)
759	691239	Pin-Counterweight	875	694942	Base-Air Cleaner	971	692129	Screw
761	691096	Screw	876	495877	Kit-Pinion Spring			(Air Cleaner Base)
		(Counterweight)	877	393456	Wire/Connector-Alternator	975	495933	Bowl-Float
783	693713	Gear-Pinion			877B 393537 Wire/Connector-Alternator	975A	695417	Bowl-Float
		(For Steel Ring Gear Only)			883 Δ★692236 Gasket-Exhaust	977	690192	Gasket Set-Carburetor
783A	693059	Gear-Pinion			896 691641 Pin-Drive Retainer			(Walbro)
		(For Aluminum Ring Gear Only)			914 690960 Screw	977A	695428	Gasket Set-Carburetor
783B	693058	Gear-Pinion			(Rocker Arm Cover)			(Nikki)
		(For Plastic Ring Gear Only)	918	393815	Hose-Vacuum	987	●691326	Seal-Throttle Shaft
788	692133	Bracket-Fuel Pump			(Cut to Required Length)	987A	●690998	Seal-Throttle Shaft
789A	692037	Harness-Wiring	921	692493	Cover-Blower Housing			(Float Bowl)
797	693167	Nut			(Red)	988	★691317	Gasket-Oil Adapter
		(Brush Retainer)			Note	996	690678	Shield-Carburetor
801	691429	Cap-Drive			692679 Cover-Blower Housing			
801A	691429	Cap-Drive			(Black)			

★ Included in Engine Gasket Set-Ref. No.358.

● Included in Carburetor Overhaul Kit-Ref. No. 121.

◆ Included in Carburetor Gasket Set-Ref. No. 977.

⊘ Included in Valve Gasket Set-Ref. No 1095.

Illustrations cover a range of engines. Parts shown without corresponding text may not be used on your specific engine.

REF. NO.	PART NO.	DESCRIPTION	REF. NO.	PART NO.	DESCRIPTION	REF. NO.	PART NO.	DESCRIPTION
1003	490316	Spring-Brush (For 4 9/16" Housing Length)	1028	496744	Adapter-Oil Filter	1083	690958	Nut (End Cap)
1005	695492	Fan-Flywheel (Used After Code Date 00040200).	1029	691751	Arm-Rocker	1083A	691626	Nut (End Cap)
		Note	1034	690822	Guide-Push Rod	1090	691293	Retainer-Brush
		691927 Fan-Flywheel (Used Before Code Date 00040300).	1035	693784	Shaft-Pump (Used After Code Date 98063000).	1091	691333	Cap-Limiter
1005A	691905	Fan-Flywheel	1036	695700	Label-Emission (Used After Code Date 00063000).	1095	691581	Gasket Set-Valve
1006	690452	Retainer-Fan			Note	1119	691183	Screw (Alternator)
1017	690770	Screen-Oil Pump			694997 Label-Emission (Used Before Code Date 00070100 and After Code Date 99093000).	1127	695407	Screw (Float Bowl)
1022	Δ*272475	Gasket-Rocker Cover			694318 Label-Emission (Used Before Code Date 99100100 and After Code Date 98123100).			
1023	692492	Cover-Rocker Arm			499364 Label-Emission (Used Before Code Date 99010100).			
1023A	691192	Cover-Rocker Arm	1044	691658	Screw (Flywheel)			
1024	499054	Pump-Oil (Used After Code Date 98063000).	1051	691265	Ring-Retaining			
1024A	493884	Pump-Oil (Used Before Code Date 98070100).	1055	690528	Tube-Oil Pump			
1026	692003	Rod-Push (Intake)	1058	274789	Owner's Manual			
		Note						
		692011 Rod-Push (Exhaust)						
1027	492932	Filter-Oil (Used After Code Date 98063000).						
		Note						
		491056 Filter-Oil (Used Before Code Date 98070100).						

★ Included in Engine Gasket Set-Ref. No.358.

● Included in Carburetor Overhaul Kit-Ref. No. 121.

◆ Included in Carburetor Gasket Set-Ref. No. 977.

⊘ Included in Valve Gasket Set-Ref. No 1095.

Illustrations cover a range of engines. Parts shown without corresponding text may not be used on your specific engine.