

# Illustrated Parts List

## Model Series

### 252700 to 252799

TYPE NUMBERS  
0016 through 0028,  
0111 through 0247,  
0515 through 0560,  
0611,  
0616 through 0622,  
0624, 0625,  
0630 through 0719.

#### TO FIND THE CORRECT NUMBER OF THE PART YOU NEED: FOLLOW THE INSTRUCTIONS BELOW

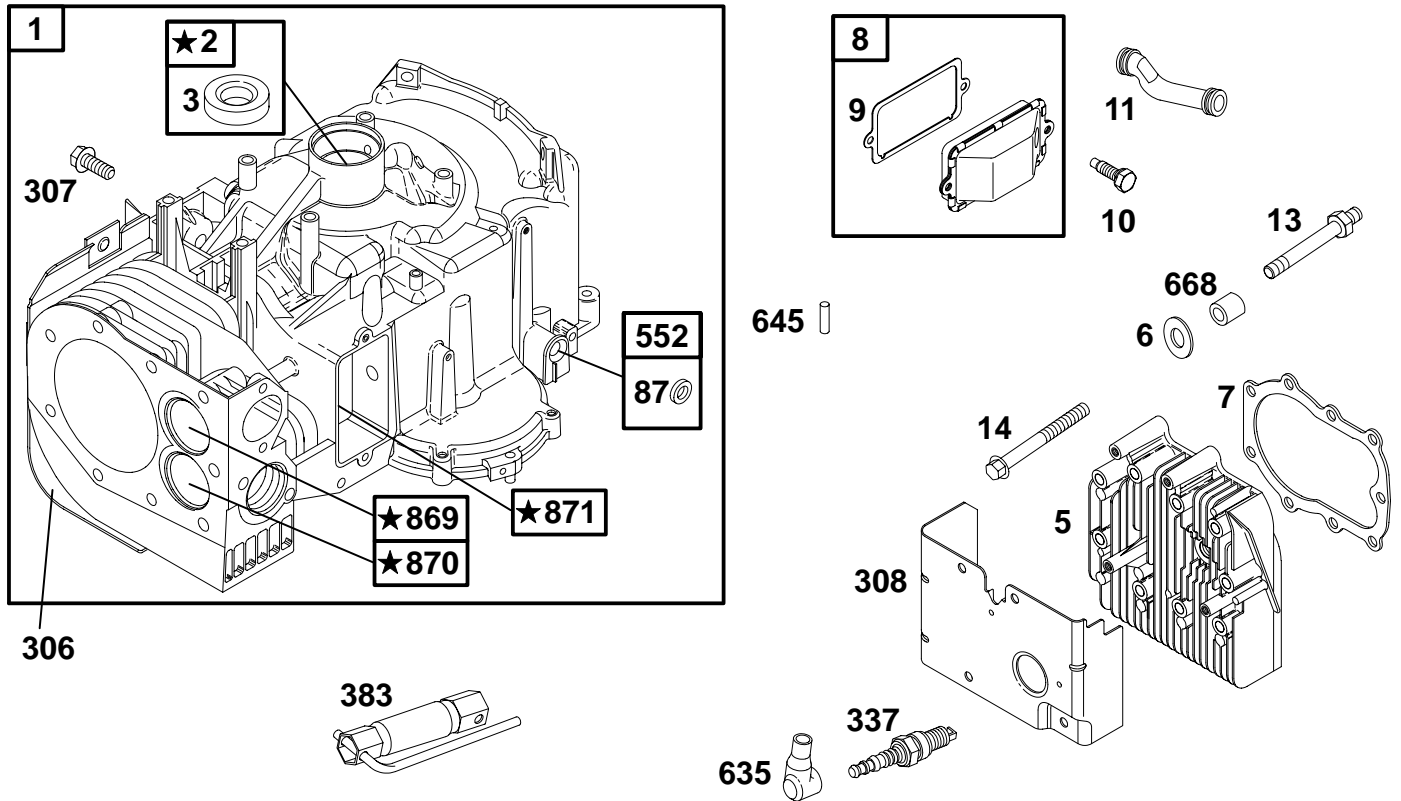
- A. Refer to Engine Model, Type and Code Number that is stamped on the blower housing of engine. Engine type numbers such as 0123 01 are listed only as 0123 in most instances. The two digits (01 or 02, etc.) to the right of the space may be required for more accurate parts identification in some instances. Select the Illustrated Parts List covering the correct Model Series and Type Number.
- B. Refer to the Illustrations and compare the original part with Illustration. The number next to the illustration is the Reference Number. Assemblies include all parts shown in frames. All parts shown in assembly frames having individual reference numbers can be purchased separately.
- C. After the Reference Number has been identified, refer to the Numerical text, where Reference and Primary Part Number are listed. **THE PRIMARY PART IS USED ON ALL TYPE NUMBERS EXCEPT THOSE TYPE NUMBERS UNDER "NOTE."**
- D. If a "Note" appears below the Primary Part Number, it means that this part differs from the Primary Part for certain types. If your Type number is listed under "Note," order the part referred to at the "Note."
- E. If your Engine Type Number does not appear after any part number listed under "Note," use the Primary Part Number.
- F. For Engine Type Numbers not covered by this book, check other Parts Lists having the same engine model or contact your source of supply.

PRINTED IN U.S.A.



COPYRIGHT by BRIGGS & STRATTON CORPORATION  
All rights reserved. No part of this material may be reproduced or transmitted, in any form or by any means, electronic or mechanical, including photocopying, recording or by any information storage and retrieval system, without permission in writing from Briggs & Stratton Corporation.

# 252700 to 252799



★ **REQUIRES SPECIAL TOOLS TO INSTALL.  
SEE REPAIR INSTRUCTION MANUAL.**

**1058 OWNER'S MANUAL**

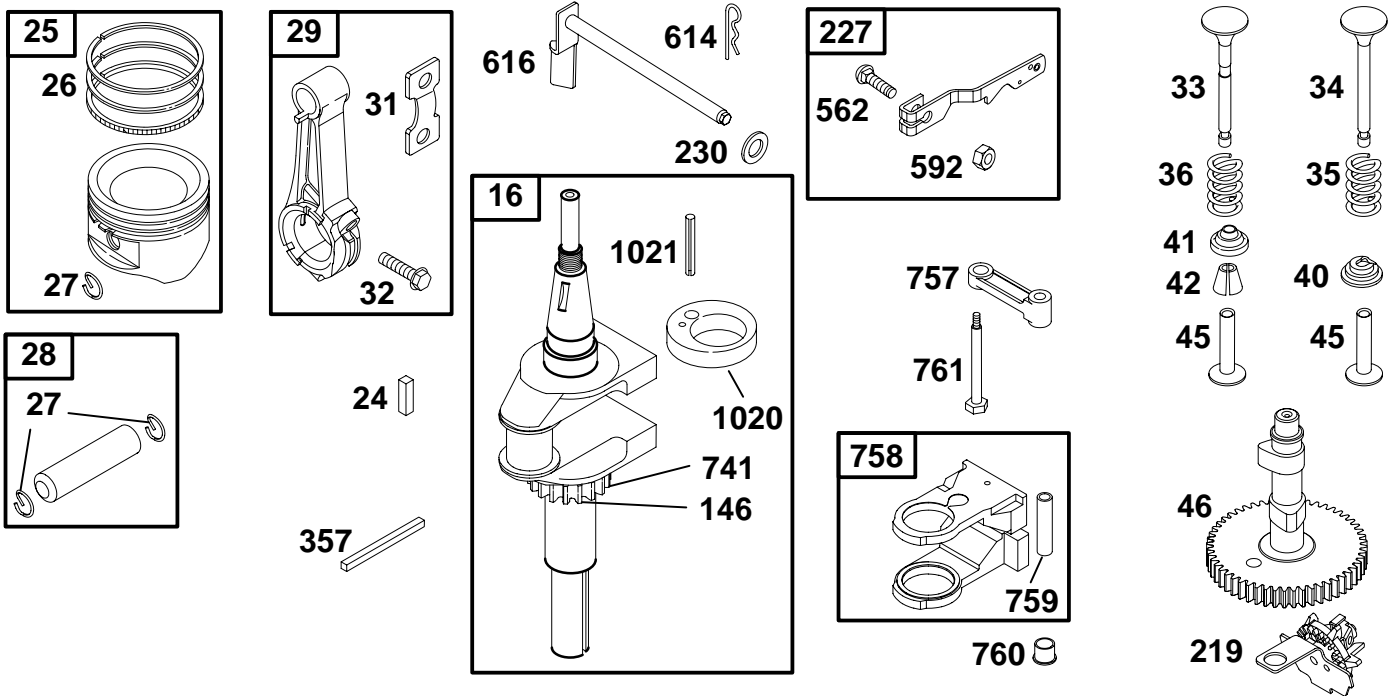
**1019 LABEL KIT**

REF. NO.	PART NO.	DESCRIPTION	REF. NO.	PART NO.	DESCRIPTION	REF. NO.	PART NO.	DESCRIPTION
1	495728	Cylinder Assembly (Used After Code Date 82073100). <b>Note</b> ——— 396448 Cylinder Assy. (Used Before Code Date 82080100).	11	280100	Tube—Breather	383	89838	Wrench—Spark Plug
2	399265	Bushing—Cylinder	13	94776	Stud—Hex. Drive	552	491986	Bushing—Governor Crank
3	★391086	Seal—Oil	14	94622	Screw—Hex.	635	66538	Boot—Spark Plug
5	212914	Head—Cylinder	87	491323	Seal—Gov. Shaft	645	23513	Bushing—Plunger Used on Type No(s). 0500.
6	22963	Washer—Flat	306	224882	Shield—Cylinder <b>Note</b> ——— 224542 Shield—Cyl. Used on Type No(s). 0537, 0560, 0611, 0617, 0618, 0620, 0621, 0622, 0625, 0707, 0712, 0713, 0714, 0715, 0718, 0719.	668	231186	Spacer
7	∅★271866	Gasket—Cylinder Head	307	94930	Screw—Hex.	869	261463	Seat—Valve (Intake)
8	495735	Breather Assembly <b>Note</b> ——— 495734 Breather Assy. Used on Type No(s). 0189, 0219, 0228, 0634, 0644, 0646, 0650, 0675.	308	224897	Cover—Cylinder	870	262924	Seat—Valve (Exhaust)
9	∅★27803	Gasket—Breather	337	298809	Plug—Spark (1 1/2" High) <b>Note</b> ——— 802592 Plug—Spark (1 27/32" High, Resistor Type)	871	231218	Bushing—Guide
10	94621	Screw—Hex.				1019	491195	Label Kit
						1058	270862	Owner's Manual

★ Included in Gasket Set—Part No. 393411.  
● Included in Carburetor Kit—Part No. 394698.

∅ Included in Valve Overhaul Gasket Set—Part No. 498537.

**252700 to 252799**

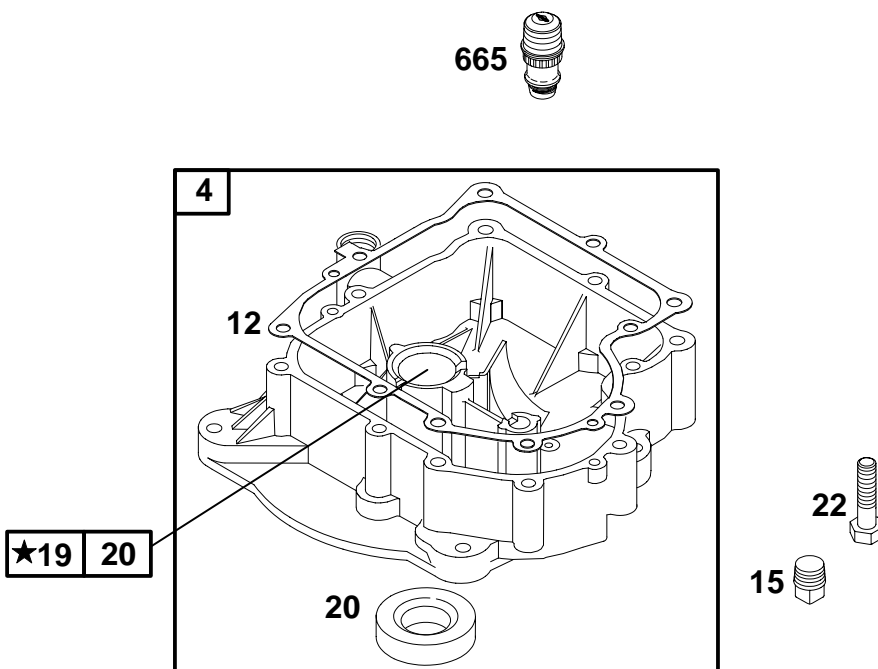
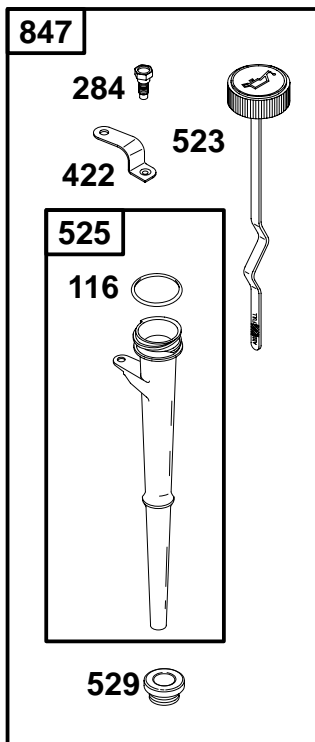


REF. NO.	PART NO.	DESCRIPTION	REF. NO.	PART NO.	DESCRIPTION	REF. NO.	PART NO.	DESCRIPTION
16	498994	Crankshaft (Used After Code Date 82073100). <b>Note</b> 392299 Crankshaft (Used Before Code Date 82080100). 491634 Crankshaft Used on Type No(s). 0166, 0179, 0654. 498993 Crankshaft Used on Type No(s). 0027, 0132, 0133, 0135, 0141, 0145, 0157, 0163, 0172, 0175, 0200, 0236, 0527, 0632, 0643, 0691, 0694.	26	391780	Ring Set (Standard) 392331 Ring Set (Standard Chrome) 391781 Ring Set (.010" O.S.) 391782 Ring Set (.020" O.S.) 391783 Ring Set (.030" O.S.)	45	262248	Tappet-Valve
25	391285	Piston Assembly (Standard) 391287 Piston Assy. (.010" O.S.) 391288 Piston Assy. (.020" O.S.) 391289 Piston Assy. (.030" O.S.)	27	260924	Lock-Piston Pin	46	212897	Gear-Cam
			28	299691	Pin-Piston (Standard) 391286 Pin-Piston (.005" O.S.)	146	94196	Key-Timing <b>Note</b> 231086 Pin-Dowel (Used Before Code Date 82080100).
			29	490348	Rod-Connecting (Standard) 490469 Rod- Connecting (.020" Undersize)	219	490815	Governor-Oil Slinger
			31	222299	Lock-Rod Screw	227	490927	Lever-Governor <b>Note</b> 391733 Lever- Gov. (Used Before Code Date 87030200).
			32	92909	Screw-Conn. Rod	230	94742	Washer-Flat
			33	261185	Valve-Exhaust	357	91540	Key-Drive Pulley
			34	261462	Valve-Intake	562	94907	Bolt-Governor Lever
			35	65906	Spring-Valve	592	231978	Nut-Hex.
			36	26828	Spring-Valve	614	93306	Pin-Cotter
			40	221596	Retainer-Valve	616	495157	Crank-Governor
			41	292260	Retainer-Valve <b>Note</b> 68293 Retainer-Valve Used on Type No(s). 0030, 0031, 0032.	741	262932	Gear-Timing
			42	494553	Keeper-Valve	757	691714	Link-Counterweight (Used After Code Date 78100411). 211675 Link- Counterweight (Used Before Code Date 78100511).
						758	692941	Counterweight Assy.
						759	298909	Pin-Counterweight
						760	231038	Spacer-Counterweight
						761	691096	Screw-Hex
						1020	261242	Eccentric
						1021	94160	Pin-Eccentric

★ Included in Gasket Set-Part No. 393411.  
● Included in Carburetor Kit-Part No. 394698.

∅ Included in Valve Overhaul Gasket Set-Part No. 498537.

## 252700 to 252799



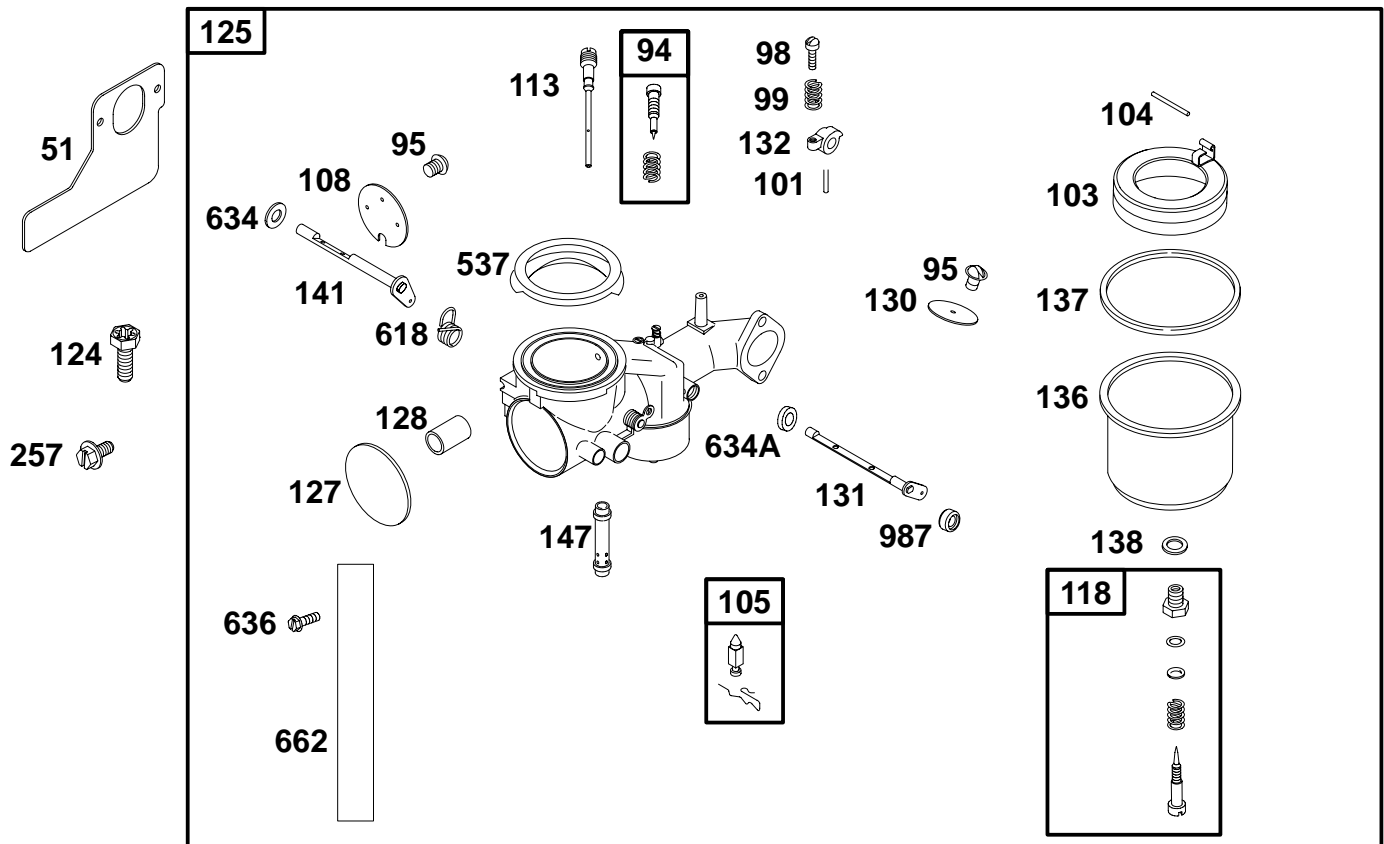
★ **REQUIRES SPECIAL TOOLS TO INSTALL.  
SEE REPAIR INSTRUCTION MANUAL.**

REF. NO.	PART NO.	DESCRIPTION	REF. NO.	PART NO.	DESCRIPTION	REF. NO.	PART NO.	DESCRIPTION
4	391784	Sump-Engine <b>Note</b> 398072 Sump-Engine Used on Type No(s). 0687.	15	94239	Plug-Oil Drain	523	495229	Dipstick
12	★271702	Gasket-Crankcase (.015" Thick, Standard) <b>Note</b> ★270915 Gasket-Crankcase (.005" Thick) ★270916 Gasket-Crankcase (.009" Thick)	19	399264	Bushing	525	280134	Tube-Oil Fill
			20	★291675	Seal-Oil	529	★281370	Seal-Fill Tube
			22	93585	Screw-Hex.	665	296768	Minder-Oil
			116	★270920	Seal-O-Ring	847	392067	Dipstick/Tube Assembly
			284	94602	Screw-Hex.			
			422	224872	Bracket-Oil Fill			

★ Included in Gasket Set-Part No. 393411.  
● Included in Carburetor Kit-Part No. 394698.

∅ Included in Valve Overhaul Gasket Set-Part No. 498537.

**252700 to 252799**

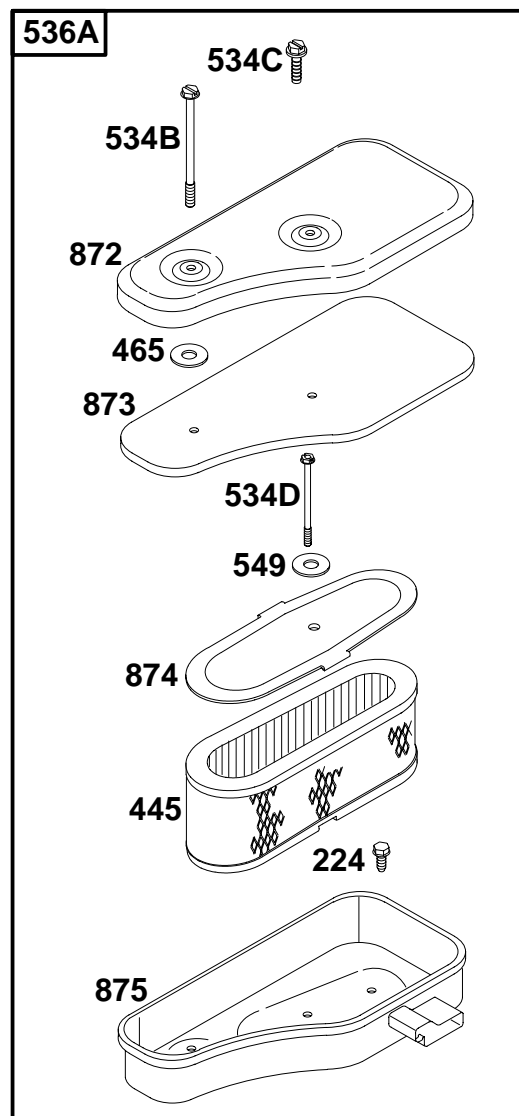
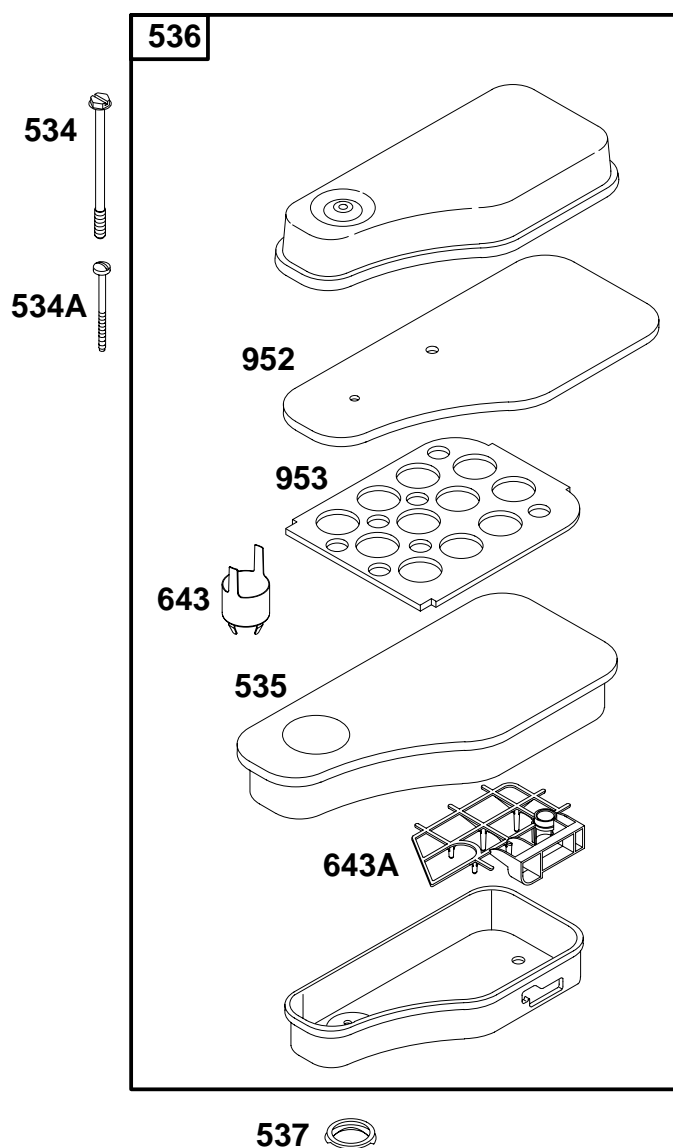


REF. NO.	PART NO.	DESCRIPTION	REF. NO.	PART NO.	DESCRIPTION	REF. NO.	PART NO.	DESCRIPTION
51	270872	Gasket-Carb Mounting	491028		Carburetor (Remote & Manual Choke)	126	391787	Body Assembly-Upper
94	292681	Kit-Idle Mixture			Used on Type No(s). 0025, 0111, 0112, 0118, 0119, 0144, 0149, 0151, 0156, 0159, 0165, 0167, 0190, 0198, 0203, 0206, 0209, 0212, 0214, 0219, 0226, 0227, 0237, 0239, 0247, 0525, 0611, 0618, 0619, 0622, 0639, 0673, 0683, 0693.			<b>Note</b> 394038 Body Assembly-Upper Used on Type No(s). 0189, 0219, 0228, 0634, 0644, 0646, 0650, 0675.
95	93499	Screw-Choke/Throttle				127	221997	Plug-Welch
98	91920	Screw-Slotted				128	211960	Venturi-Carburetor
99	26157	Spring-Friction				130	222433	Valve-Throttle
101	93043	Pin-Throttle Lever				131	491006	Throttle Shaft Kit
103	299707	Float-Carburetor				132	211712	Stop-Throttle
104	230896	Pin-Float Hinge				136	221995	Bowl-Float
105	394681	Valve-Needle (Gravity Feed)				137	270511	Gasket-Float Bowl
		<b>Note</b>				138	222014	Washer
		394683 Valve-Needle (Pump Feed)				141	390684	Shaft-Choke
108	222010	Valve-Choke				147	231323	Nozzle-Carburetor
113	299740	Nozzle-Carburetor				257	93543	Screw-Slotted
118	396568	Valve-High Speed				537	270853	Gasket-Air Cleaner
124	94913	Screw-Torx® Hex.				618	261116	Spring
125	491026	Carburetor Assembly (Choke A Matic®)				634	270382	Washer
		<b>Note</b>				634A	271853	Seal
		490149 Carburetor Used on Type No(s). 0634.				662	222311	Bracket-Carburetor
						663	93572	Screw-Hex.
						987	398970	Seal-Throttle Shaft

★ Included in Gasket Set-Part No. 393411.  
● Included in Carburetor Kit-Part No. 394698.

∅ Included in Valve Overhaul Gasket Set-Part No. 498537.

## 252700 to 252799

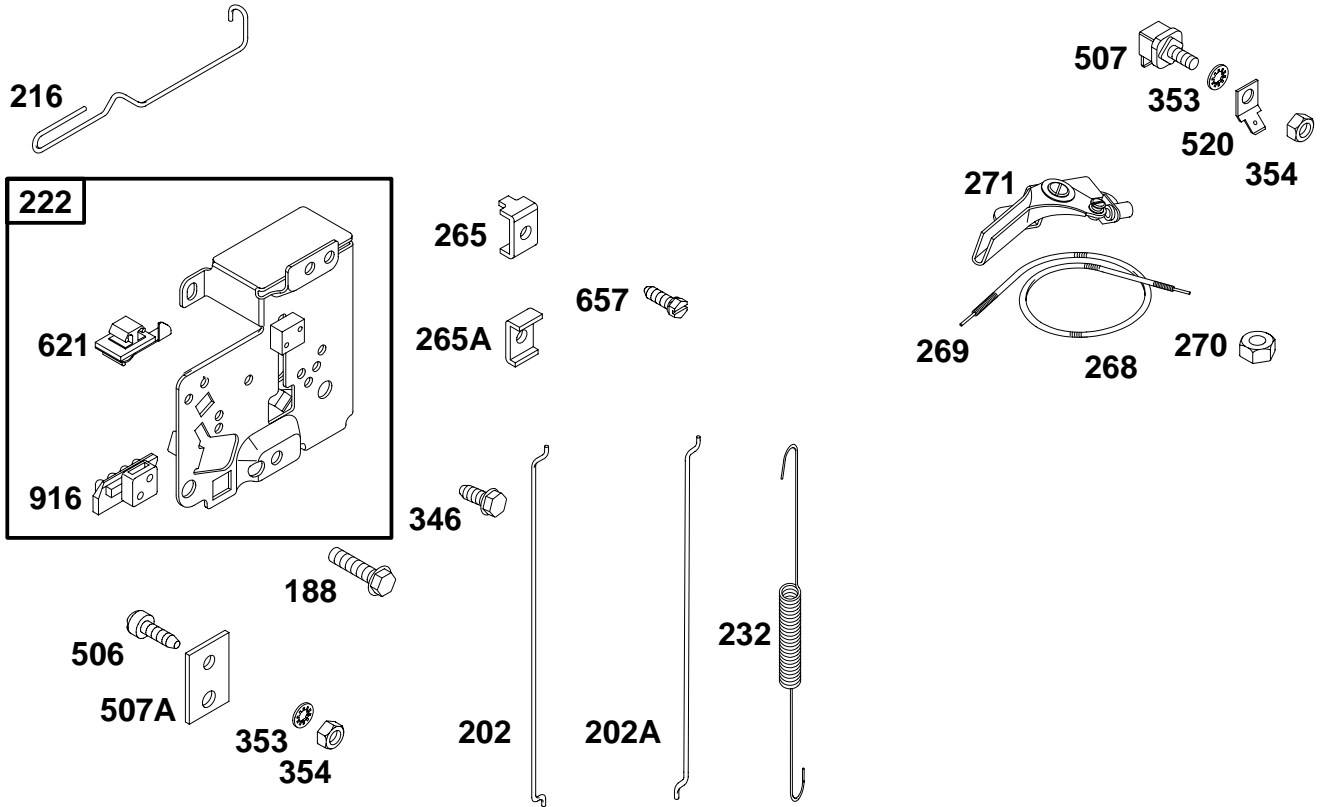


REF. NO.	PART NO.	DESCRIPTION	REF. NO.	PART NO.	DESCRIPTION	REF. NO.	PART NO.	DESCRIPTION
224	94902	Screw-Hex.	535	270843	Filter-Air	872	396966	Cover-Air Cleaner
445	393725	Filter-Air	536	391786	Cleaner-Air	873	397971	Gasket-Cleaner Cover
465	271118	Washer	536A	393749	Cleaner-Air	874	222898	Retainer-Air Filter
534	93323	Screw-Slotted	537	★270853	Gasket-Air Cleaner	875	397321	Base-Air Cleaner
534A	93622	Screw-Slotted	549	270978	Washer	952	222495	Spacer-Air Cleaner
534B	93911	Screw-Slotted	643	222380	Spacer-Air Cleaner	953	222382	Screen-Air Cleaner
534C	93913	Screw-Slotted	643A	280118	Retainer-Air Filter			
534D	93910	Screw-Slotted						

★ Included in Gasket Set-Part No. 393411.  
● Included in Carburetor Kit-Part No. 394698.

∅ Included in Valve Overhaul Gasket Set-Part No. 498537.

**252700 to 252799**



REF. NO.	PART NO.	DESCRIPTION	REF. NO.	PART NO.	DESCRIPTION	REF. NO.	PART NO.	DESCRIPTION
188	94627	Screw-Hex.	232	260584	Spring-Link (Used After Code Date 82110200).	353	92791	Washer-Lock
202	262348	Link-Mechanical Governor			<b>Note</b>	354	90576	Nut-Hex.
202A	261609	Link-Mechanical Governor			261197 Spring-Link (Used Before Code Date 82110311).	506	90200	Screw-Slotted
216	261610	Link-Choke	265	221535	Clamp-Casing	507	398525	Insulator
222	491594	Bracket-Control (Choke A Matic®)	265A	22372	Clamp-Casing	507A	66895	Insulator
		<b>Note</b>	268	65616	Casing-Wire (Cut to Required Length)	520	93722	Terminal
		491593 Bracket-Control (Remote & Manual Choke)	269	26633	Wire-Control (Cut to Required Length)	657	94906	Screw-Slotted Hex.
		396349 Bracket-Control (Used Before Code Date 82110311).	270	63426	Locknut-Casing	621	396847	Switch-Stop
			271	290568	Lever-Control	916	280324	Rack-Governor Gear (Choke A Matic)
			346	94896	Screw-Hex.			<b>Note</b>
								280321 Rack-Governor Gear (Remote & Manual Choke)

★ Included in Gasket Set-Part No. 393411.  
● Included in Carburetor Kit-Part No. 394698.

∅ Included in Valve Overhaul Gasket Set-Part No. 498537.

**252700 to 252799**

209



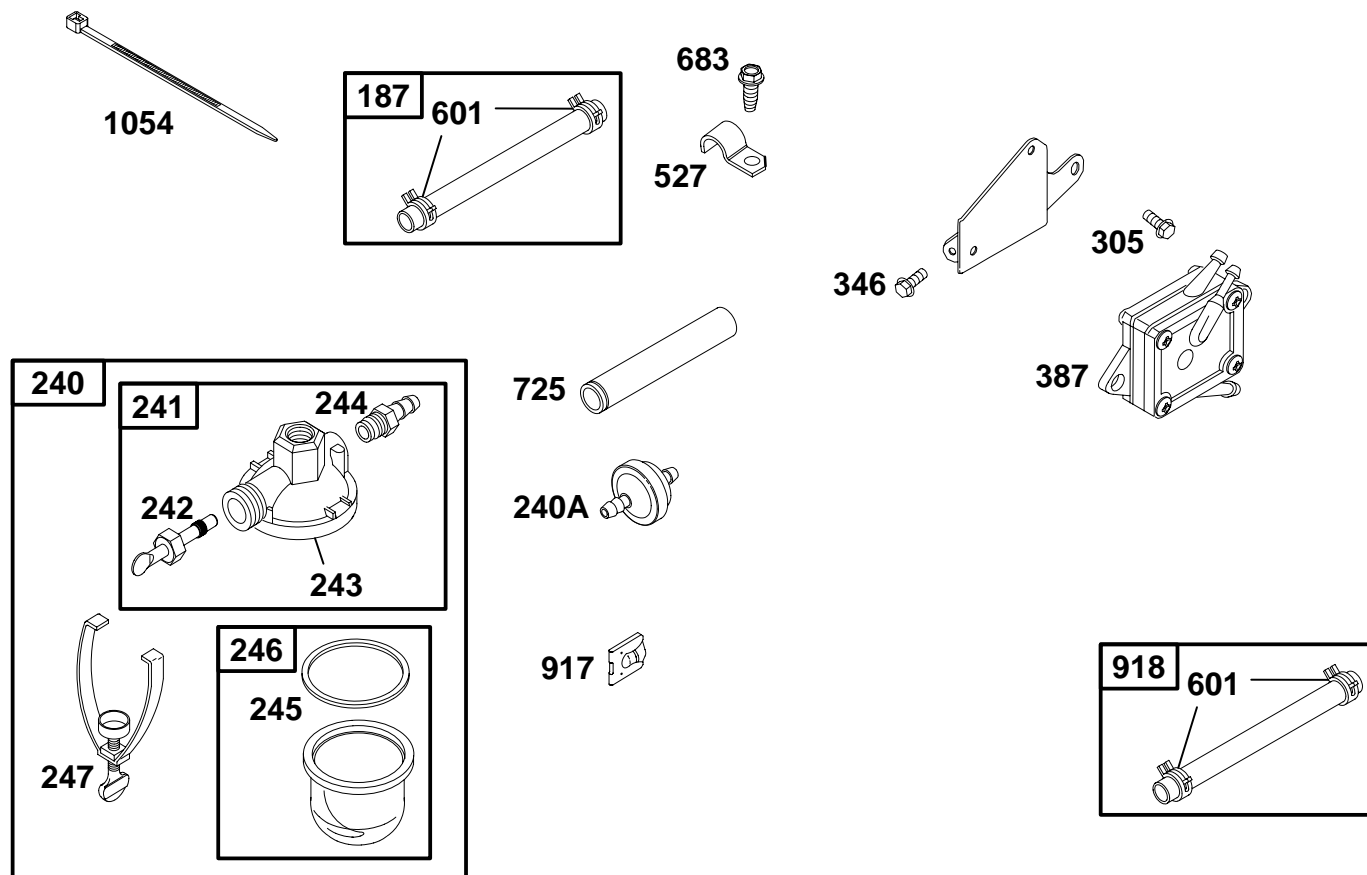
REF. NO.	PART NO.	DESCRIPTION	REF. NO.	PART NO.	DESCRIPTION	REF. NO.	PART NO.	DESCRIPTION	
209	260871	Spring–Governor (Used After Code Date 87030100). <b>261129</b> Spring–Gov. (Used Before Code Date 87030200). <b>Note</b> <b>260695</b> Spring–Gov. (Used After Code Date 87030100). Used on Type No(s). 0526, 0560, 0620, 0621, 0622, 0624, 0625, 0630, 0631, 0632, 0633, 0634, 0636, 0637, 0642, 0643, 0644, 0645, 0647, 0648, 0649, 0650, 0651, 0652, 0653, 0654, 0655, 0657, 0667, 0668, 0669, 0671, 0672, 0674, 0675, 0676, 0677, 0682, 0685, 0686, 0687, 0692, 0695, 0698, 0700, 0705, 0707, 0717, 0718. <b>260902</b> Spring–Gov. (Used After Code Date 87030100). Used on Type No(s). 0697, 0706, 0713, 0719.			<b>261126</b> Spring–Gov. (Used After Code Date 87030100). Used on Type No(s). 0527, 0537, 0617, 0638, 0646, 0663, 0670, 0690, 0691, 0694, 0701, 0704, 0710, 0711, 0712, 0719. <b>261130</b> Spring–Gov. (Used After Code Date 87030100). Used on Type No(s). 0616, 0699, 0708. <b>260871</b> Spring–Gov. (Used Before Code Date 87030200). Used on Type No(s). 0616, 0617, 0691, 0697, 0699, 0704, 0706, 0708, 0710, 0711, 0712, 0713, 0719. <b>261306</b> Spring–Gov. (Used Before Code Date 87030200). Used on Type No(s). 0526, 0527, 0537, 0620, 0621, 0622, 0624, 0630, 0632, 0633, 0634, 0636, 0637, 0638, 0642, 0643, 0644, 0645,				0646, 0647, 0648, 0649, 0650, 0651, 0652, 0653, 0654, 0655, 0657, 0663, 0667, 0668, 0669, 0670, 0671, 0672, 0674, 0675, 0677, 0682, 0685, 0686, 0687, 0690, 0692, 0694, 0695, 0698, 0700, 0701, 0705. <b>261306</b> Spring–Gov. Used on Type No(s). 0026, 0027, 0130, 0131, 0132, 0133, 0135, 0137, 0139, 0140, 0141, 0145, 0146, 0150, 0151, 0154, 0158, 0162, 0164, 0166, 0170, 0171, 0172, 0175, 0177, 0179, 0182, 0185, 0186, 0188, 0189, 0196, 0199, 0200, 0201, 0205, 0206, 0207, 0209, 0213, 0216, 0221, 0222, 0223, 0225, 0228, 0230, 0231, 0233, 0234, 0235, 0236, 0238, 0239, 0240, 0242, 0243, 0244, 0246.

★ Included in Gasket Set–Part No. 393411.  
● Included in Carburetor Kit–Part No. 394698.

∅ Included in Valve Overhaul Gasket Set–Part No. 498537.



**252700 to 252799**

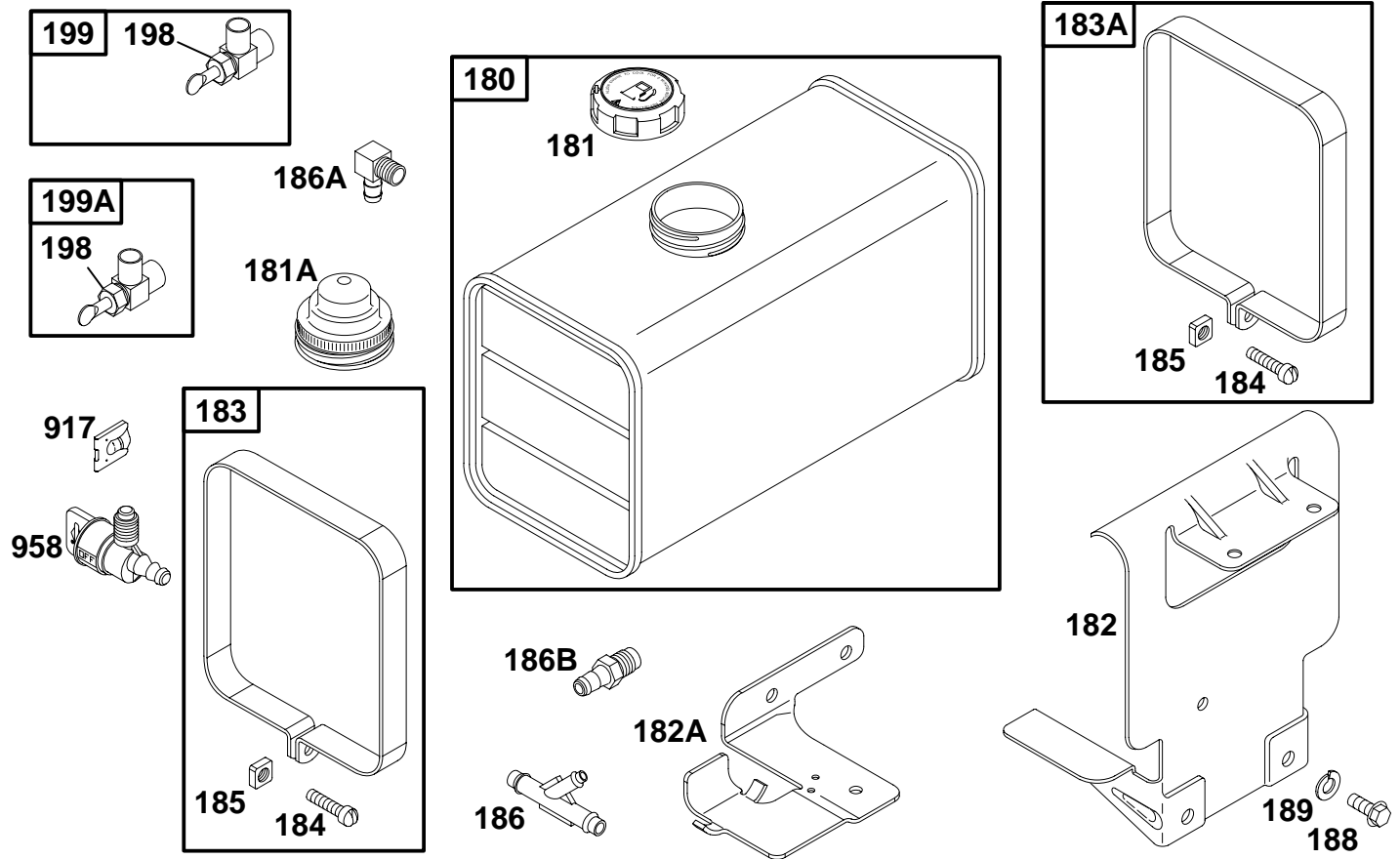


REF. NO.	PART NO.	DESCRIPTION	REF. NO.	PART NO.	DESCRIPTION	REF. NO.	PART NO.	DESCRIPTION
187	296004	Line-Fuel (Cut to Required Length)	247	99665	Yoke-Bowl	683	94874	Screw-Hex.
240	393169	Filter-Fuel	305	94786	Screw-Hex.	725	222175	Shield-Heat
240A	298090	Filter-Fuel	346	94896	Screw-Hex.	917	223271	Handle-Shut-Off Valve
241	296005	Cover-Filter	387	491922	Pump-Fuel	918	393815	Hose-Vacuum (Cut to Required Length)
242	295913	Valve-Shut Off	527	221428	Cl amp-Tube	1054	280275	Tie-Cable
243	22547	Screen-Filter	601	93053	Clamp-Hose (Green)			
244	230318	Connector-Hose	<b>Note</b> _____					
245	★68477	Gasket-Bowl			93807			Clamp-Fuel Line (Black)
246	298683	Bowl-Filter						

★ Included in Gasket Set-Part No. 393411.  
● Included in Carburetor Kit-Part No. 394698.

∅ Included in Valve Overhaul Gasket Set-Part No. 498537.

## 252700 to 252799

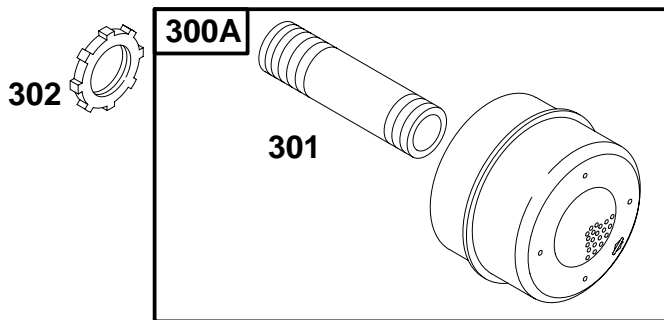
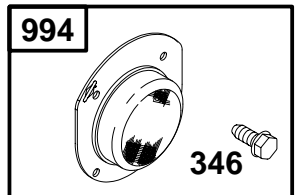
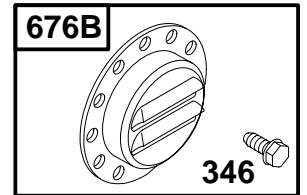
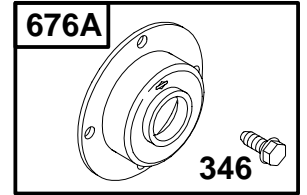
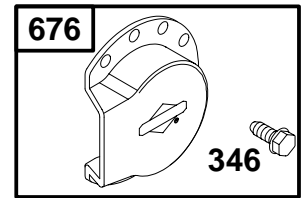
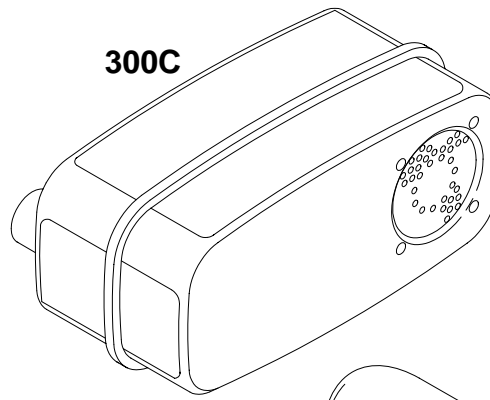
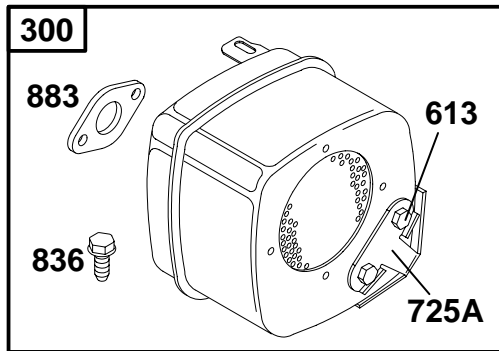


REF. NO.	PART NO.	DESCRIPTION	REF. NO.	PART NO.	DESCRIPTION	REF. NO.	PART NO.	DESCRIPTION
180	390225	Tank-Fuel (3 Quart)	183	496853	Strap-Fuel Tank (R.H.)	198	293934	Screw-Shut-Off
		<b>Note</b> _____	183A	496852	Strap-Fuel Tank (L.H.)	199	492649	Valve-Shut-Off
		292415 Tank-Fuel (8 Quart)	184	94286	Screw-Hex.	199A	297563	Valve-Shut-Off Used on Type No(s). 0639.
181	493988	Cap-Fuel Tank	185	90970	Nut	917	223271	Handle-Shut-Off Valve
181A	392305	Cap-Fuel Tank	186	67218	Connector-Hose	958	399517	Valve-Shut-Off
182	222980	Bracket-Fuel Tank (R.H.)	186A	67218	Connector-Hose			
182A	224884	Bracket-Fuel Tank (L.H.)	186B	230318	Connector-Hose			
		<b>Note</b> _____	188	94627	Screw-Hex.			
		223157 Bracket-Fuel Tank Used on Type No(s). 0668.			94786 Screw-Hex. Used on Type No(s). 0668.			
			189	90832	Washer-Lock Used on Type No(s). 0668.			

★ Included in Gasket Set-Part No. 393411.  
 ● Included in Carburetor Kit-Part No. 394698.

∅ Included in Valve Overhaul Gasket Set-Part No. 498537.

**252700 to 252799**

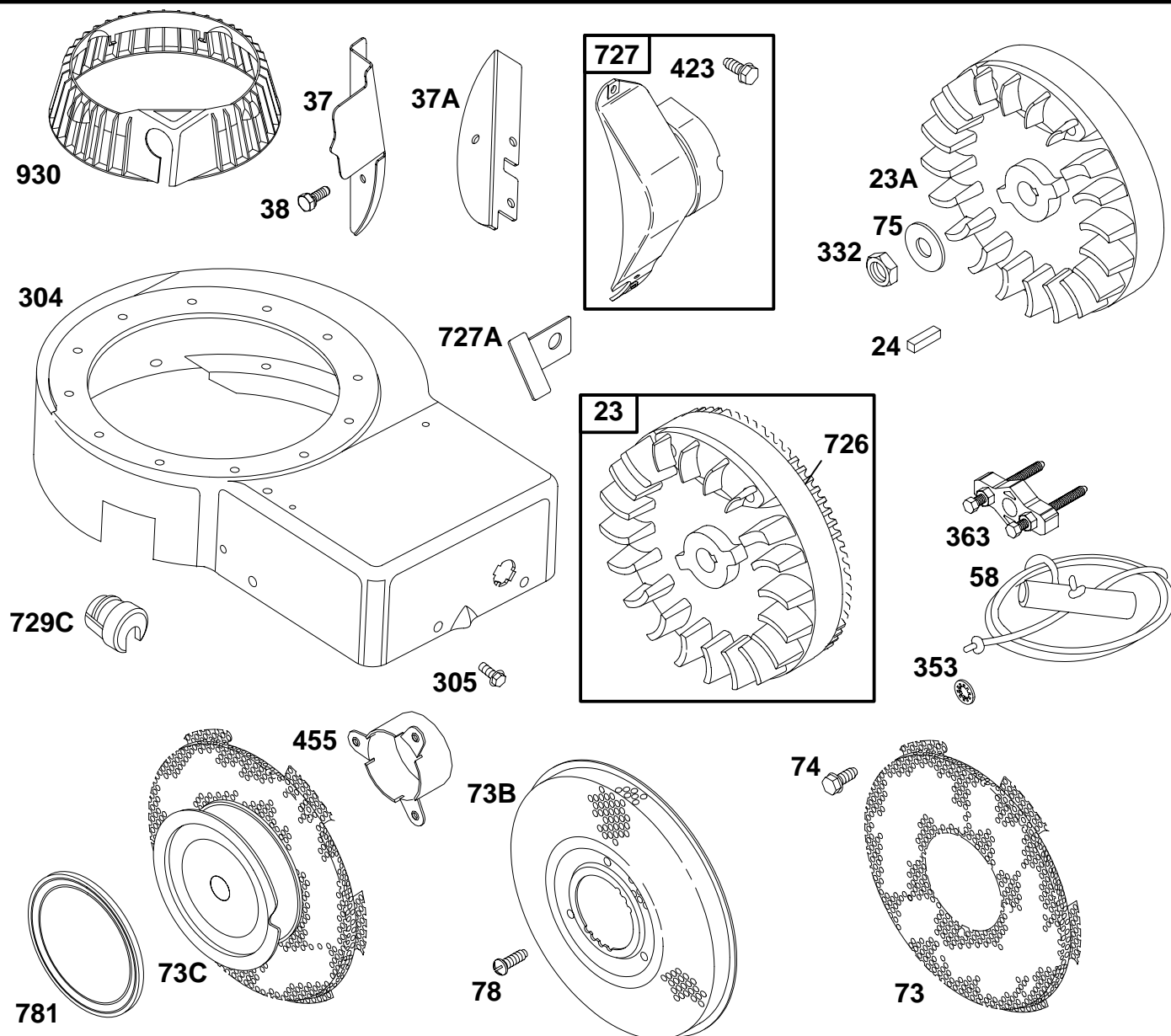


REF. NO.	PART NO.	DESCRIPTION	REF. NO.	PART NO.	DESCRIPTION	REF. NO.	PART NO.	DESCRIPTION
300	491413	Muffler-Exhaust	302	261564	Locknut-Muffler	725A	223023	Shield-Heat
300A	391569	Muffler-Exhaust	346	94896	Screw-Hex.	836	94729	Screw-Torx® Hex.
300C	498984	Muffler-Exhaust	436	91308	Manifold-Exhaust	883	Ø*272293	Gasket-Exhaust
301	93768	Pipe-Muffler	613	93927	Screw-Shoulder	————— <b>Note</b> —————		
	93833	Pipe-Muffler	676	393761	Deflector-Muffler	222761 Gasket-Exhaust		
		Used on Type No(s). 0516, 0601, 0604, 0606, 0607, 0630, 0631, 0632, 0636, 0637, 0638, 0639, 0650, 0680, 0691, 0692, 0693, 0694, 0701, 0704, 0705, 0706, 0715, 0728, 0732, 0740, 0754.	676A	396903	Deflector-Muffler	Used on Type No(s). 0261, 0640, 0695.		
			676B	397630	Deflector-Muffler	994	392390	Arrestor-Spark

★ Included in Gasket Set-Part No. 393411.  
● Included in Carburetor Kit-Part No. 394698.

Ø Included in Valve Overhaul Gasket Set-Part No. 498537.

## 252700 to 252799

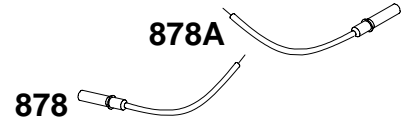
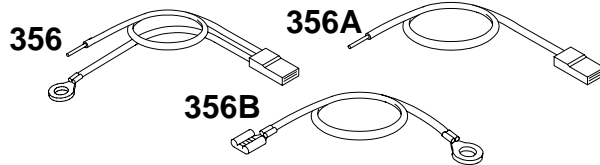
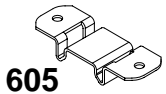
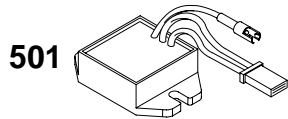
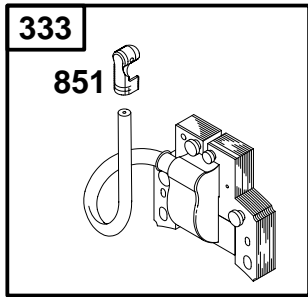


REF. NO.	PART NO.	DESCRIPTION	REF. NO.	PART NO.	DESCRIPTION	REF. NO.	PART NO.	DESCRIPTION
23	391988	Flywheel	75	225136	Washer-Flywheel	305	94786	Screw-Hex.
23A	498896	Flywheel	78	94626	Screw-Phillips	332	94877	Nut-Flywheel
24	222698	Key-Flywheel	304	398333	Housing-Blower	353	92791	Washer-Lock
37	224886	Guard-Flywheel			<b>Note</b>	423	94903	Screw-Shoulder
37A	222475	Guard-Flywheel			396608 Housing-Blower	455	222561	Cup-Flywheel
38	94811	Screw-Hex.			Used on Type No(s). 0677.	726	399676	Gear-Ring
58	69932	Rope-Starter				727	395405	Cover-Starter Drive
73	224874	Screen-Rotating				727A	224871	Guard-Flywheel
73B	224517	Screen-Rotating				729C	281159	Clip-Wire
73C	496084	Screen-Rotating				781	280068	Cap-Starter Pully
74	93758	Screw-Hex.				930	280685	Guard-Rewind

★ Included in Gasket Set-Part No. 393411.  
 ● Included in Carburetor Kit-Part No. 394698.

∅ Included in Valve Overhaul Gasket Set-Part No. 498537.

**252700 to 252799**



DUAL CIRCUIT/FUSE	DUAL CIRCUIT	TRI-CIRCUIT	10 AMP
474 877C	474A 877A	474B 877B	474C 877C
	878C	878B	

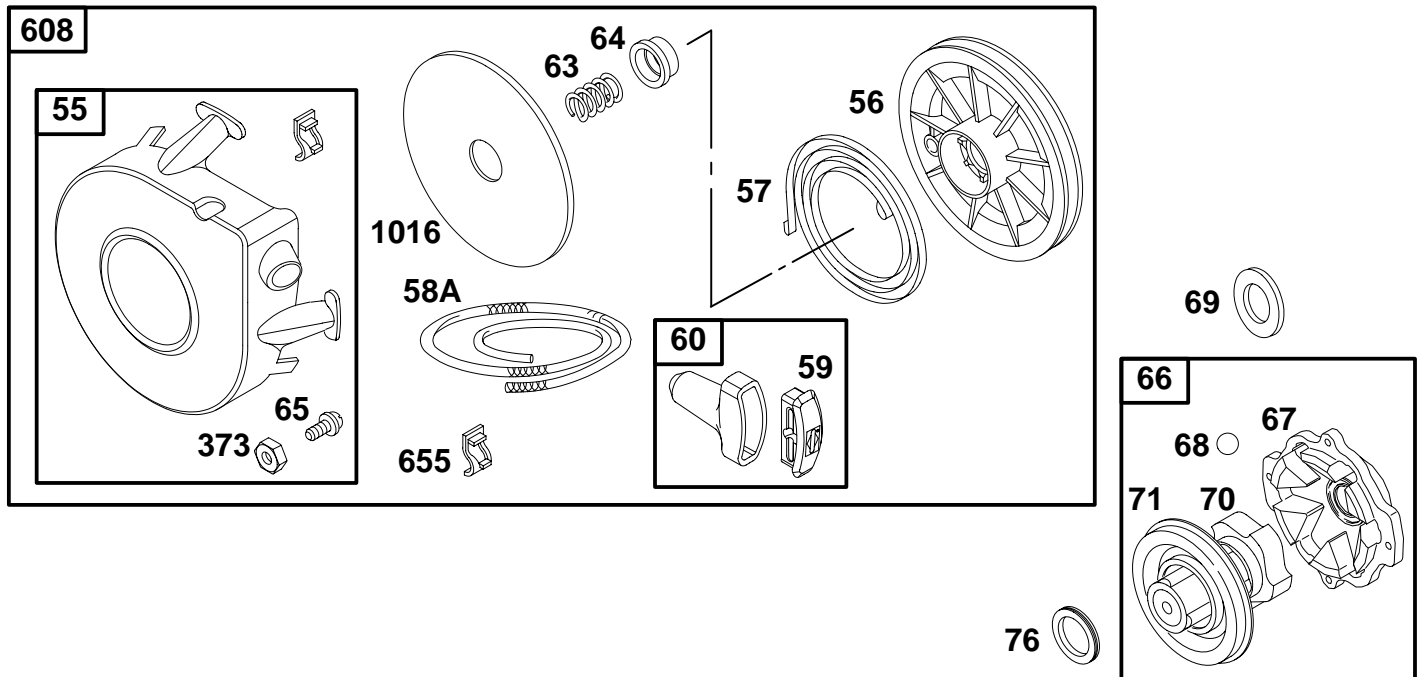
**NOTE: ALL STATORS USE NO. 482 MOUNTING SCREW.**

REF. NO.	PART NO.	DESCRIPTION	REF. NO.	PART NO.	DESCRIPTION	REF. NO.	PART NO.	DESCRIPTION
333	398811	Armature-Magneto	474B	392595	Alternator Used on Type No(s). 0655, 0673, 0675.	605	222934	Bracket-Mounting
334	94731	Screw-Hex.				851	493880	Terminal-Cable
356	398808	Wire-Stop				841	393514	Clamp
356A	494328	Wire-Stop	474C	393295	Alternator Used on Type No(s). 0527, 0694, 0697, 0703, 0716, 0767, 5545.	877A	393456	Wire-Alternator
356B	399323	Wire-Stop				877B	393537	Wire-Alternator
474	391529	Alternator Used on Type No(s). 0616, 0694.	482	93621	Screw-Hex.	877C	393814	Wire-Alternator
474A	393474	Alternator Used on Type No(s). 0525, 0526, 0550, 0604, 0607, 0618, 0619, 0620, 0630, 0635, 0638, 0641, 0643, 0644, 0650, 0664, 0669, 0676, 0677, 0680, 0682, 9684, 0732, 0735, 0738, 0740, 0745, 0749, 0751, 0753, 0754, 0755, 0757, 0761, 5526.	501	394890	Regulator ————— <b>Note</b> ————— 397809 Regulator Used on Type No(s). 0694.	878	393362	Harness-Alternator (D.C.)
			526	93343	Screw-Hex. ————— <b>Note</b> ————— 94137 Screw-Hex. Used on Type No(s). 0694.	878A	393422	Harness-Alternator
						878B	392606	Harness-Alternator
						878C	393362	Harness-Alternator

★ Included in Gasket Set-Part No. 393411.  
● Included in Carburetor Kit-Part No. 394698.

∅ Included in Valve Overhaul Gasket Set-Part No. 498537.

**252700 to 252799**

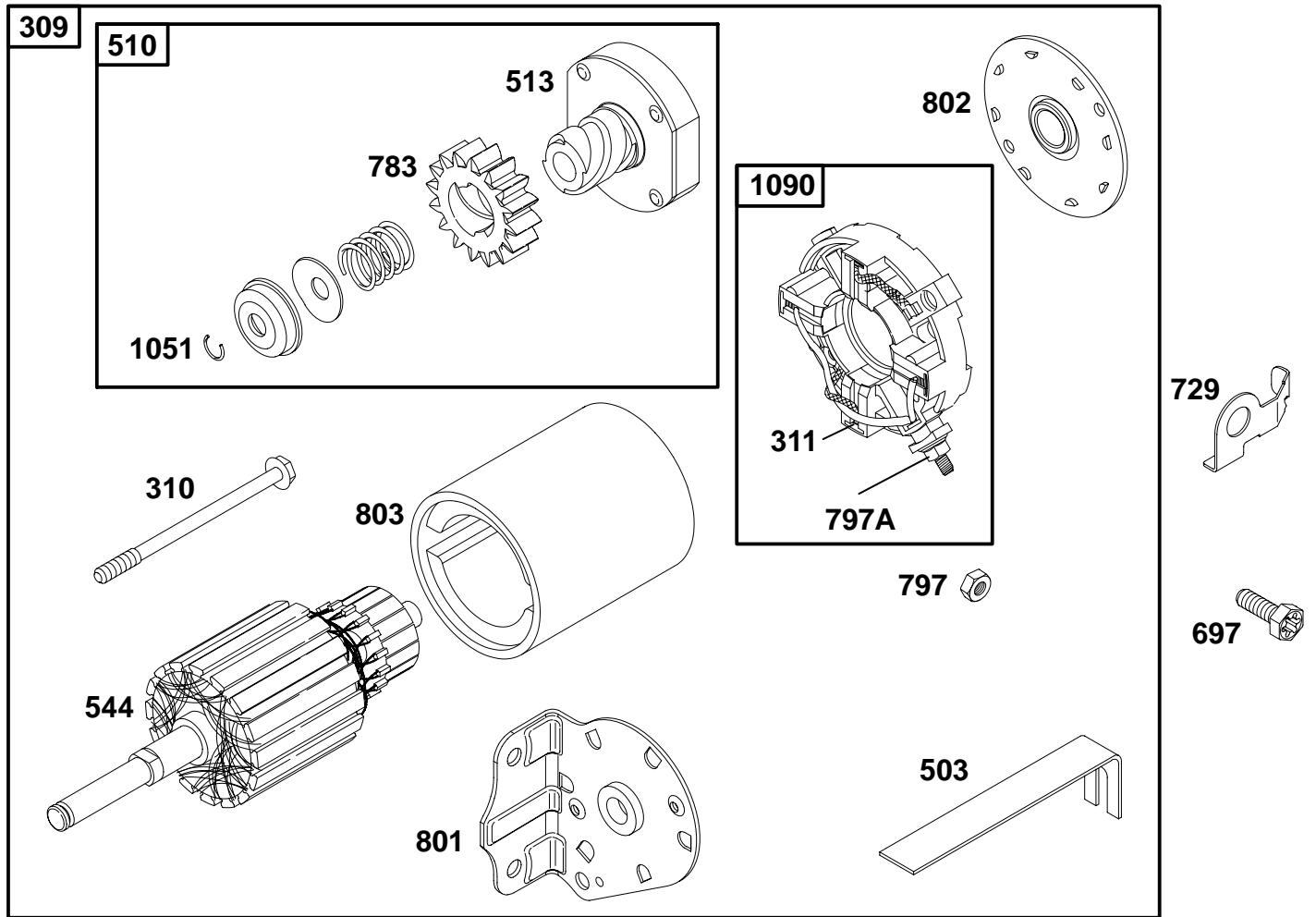


REF. NO.	PART NO.	DESCRIPTION	REF. NO.	PART NO.	DESCRIPTION	REF. NO.	PART NO.	DESCRIPTION
55	393576	Housing—Rewind Starter	59	490653	Insert—Grip	69	66718	Washer
		<b>Note</b>	60	490652	Grip—Starter Rope	70	298799	Ratchet—Clutch
	398099	Housing—Rewind Starter			<b>Note</b>	71	394506	Cover—Ratchet
		Used on Type No(s).		398101	Grip—Starter Rope	76	68238	Seal
		0516, 0601, 0604,			Used on Type No(s).	373	94908	Nut—Hex.
		0606, 0607, 0630,			0516, 0601, 0604,	608	390391	Starter—Rewind
		0631, 0632, 0636,			0606, 0607, 0630,			<b>Note</b>
		0637, 0639, 0640,			0631, 0632, 0636,			397982 Starter—Rewind
		0650, 0677, 0680,			0637, 0639, 0640,			Used on Type No(s).
		0691, 0693, 0694,			0650, 0677, 0680,			0516, 0601, 0604,
		0695, 0701, 0704,			0691, 0693, 0694,			0606, 0607, 0630,
		0705, 0706, 0715,			0695, 0701, 0704,			0631, 0632, 0636,
		0719, 0727, 0728,			0705, 0706, 0715,			0637, 0639, 0640,
		0732, 0734, 0735,			0719, 0727, 0728,			0650, 0677, 0680,
		0736, 0737, 0739,			0732, 0734, 0735,			0691, 0693, 0694,
		0745, 0749, 0751,			0736, 0737, 0739,			0695, 0701, 0704,
		0754, 0755, 0756,			0745, 0749, 0751,			0705, 0706, 0715,
		0757, 0762.			0754, 0755, 0756,			0719, 0727, 0728,
					0757, 0762.			0732, 0734, 0735,
56	295871	Pulley—Starter (Includes Rope)	63	260414	Spring—Ratchet			0736, 0737, 0739,
57	490179	Spring—Rewind Starter	64	281204	Adapter—Spring			0745, 0749, 0751,
58A	66894	Rope—Starter (Cut to Required Length)	65	94904	Screw—Hex.			0754, 0755, 0756,
			66	399671	Clutch—Starter			0757, 0762.
			67	394897	Housing—Clutch	655	222598	Anchor—Spring
			68	63770	Ball—Clutch	1016	490817	Spacer—Rewind

★ Included in Gasket Set—Part No. 393411.  
● Included in Carburetor Kit—Part No. 394698.

∅ Included in Valve Overhaul Gasket Set—Part No. 498537.

**252700 to 252799**

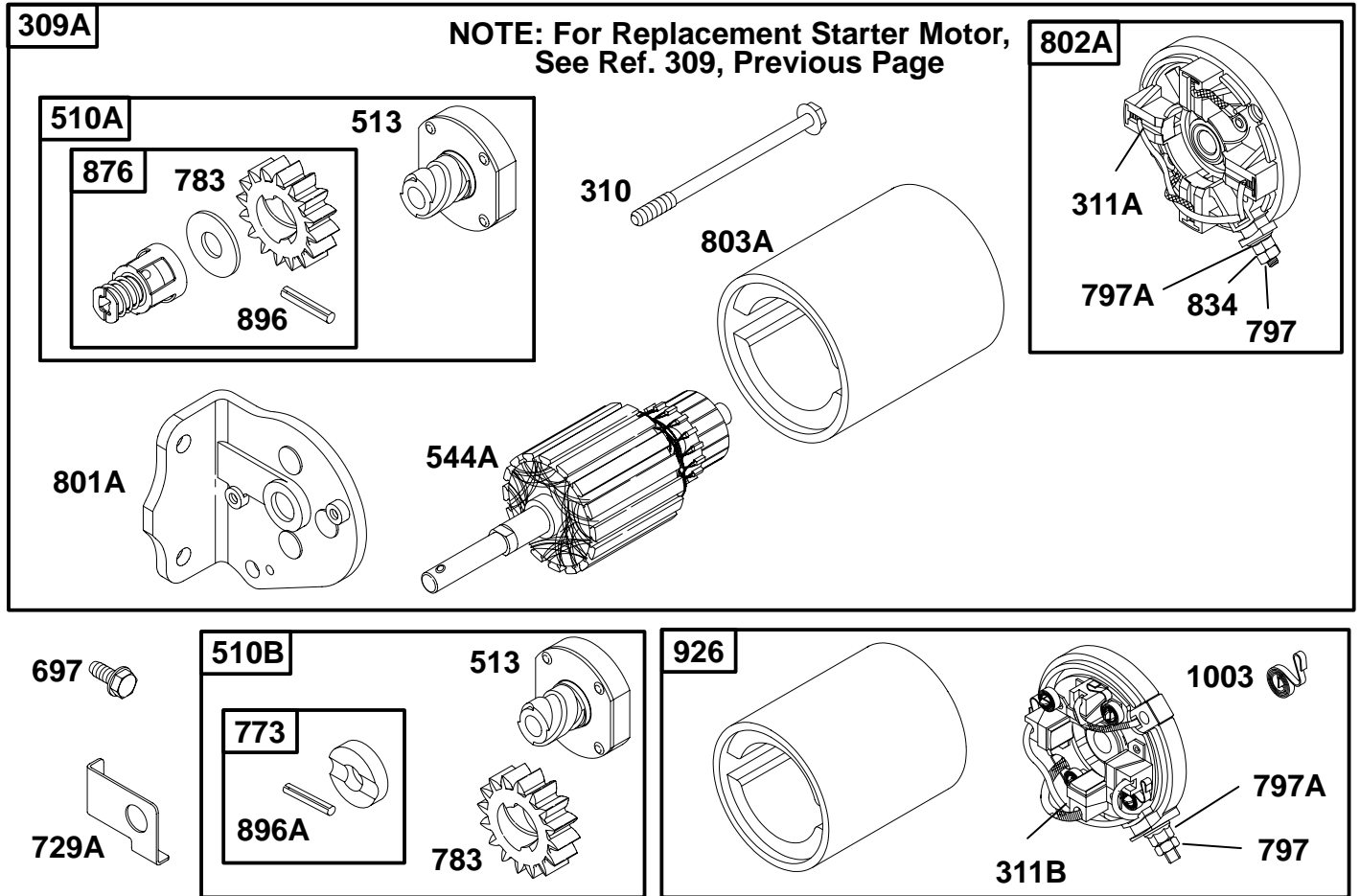


REF. NO.	PART NO.	DESCRIPTION	REF. NO.	PART NO.	DESCRIPTION	REF. NO.	PART NO.	DESCRIPTION
<b>309</b>	<b>693054</b>	Motor-Starter (3 5/8" Housing Length) <b>Note</b> ——— <b>499521</b> Motor-Starter (4 3/8" Housing Length)	<b>311</b>	<b>497608</b>	Brush Set	<b>797</b>	<b>92278</b>	Nut (Starter Terminal)
			<b>503</b>	<b>806000</b>	Strap-Starter	<b>797A</b>	<b>693167</b>	Nut (Starter Terminal)
			<b>510</b>	<b>497606</b>	Drive-Starter	<b>801</b>	<b>497626</b>	Cap-Drive
			<b>513</b>	<b>398003</b>	Clutch-Drive	<b>802</b>	<b>497607</b>	Cap-End
			<b>544</b>	<b>497603</b>	Armature-Starter (For 3 5/8" Housing Length)	<b>803</b>	<b>497604</b>	Housing-Starter (For 3 5/8" Housing Length)
<b>310</b>	<b>94003</b>	Bolt (Starter Motor) (For 3 5/8" Housing Length) <b>Note</b> ——— <b>95035</b> Bolt (Starter Motor) (For 4 3/8" Housing Length)	<b>697</b>	<b>94773</b>	Screw (Starter Motor Mounting)	<b>1051</b>	<b>263080</b>	Ring-Retaining
			<b>729</b>	<b>225170</b>	Clip-Wire	<b>1090</b>	<b>497605</b>	Retainer-Brush
			<b>783</b>	<b>693059</b>	Gear-Starter			

★ Included in Gasket Set—Part No. 393411.  
● Included in Carburetor Kit—Part No. 394698.

∅ Included in Valve Overhaul Gasket Set—Part No. 498537.

## 252700 to 252799



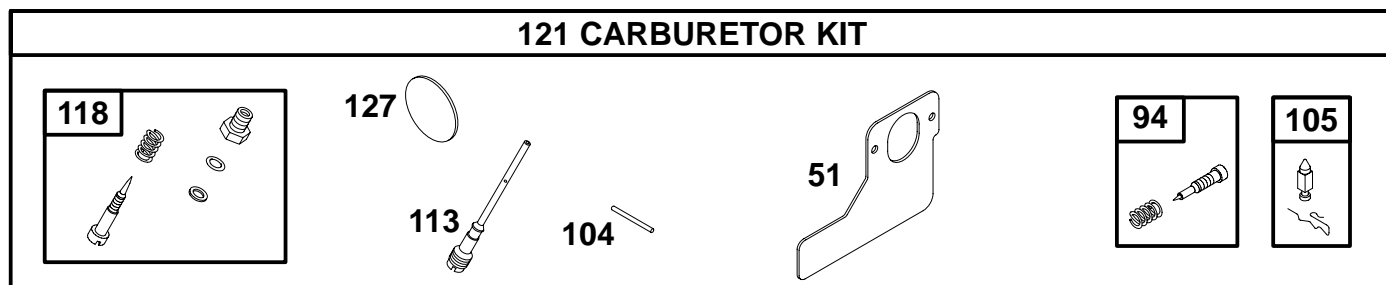
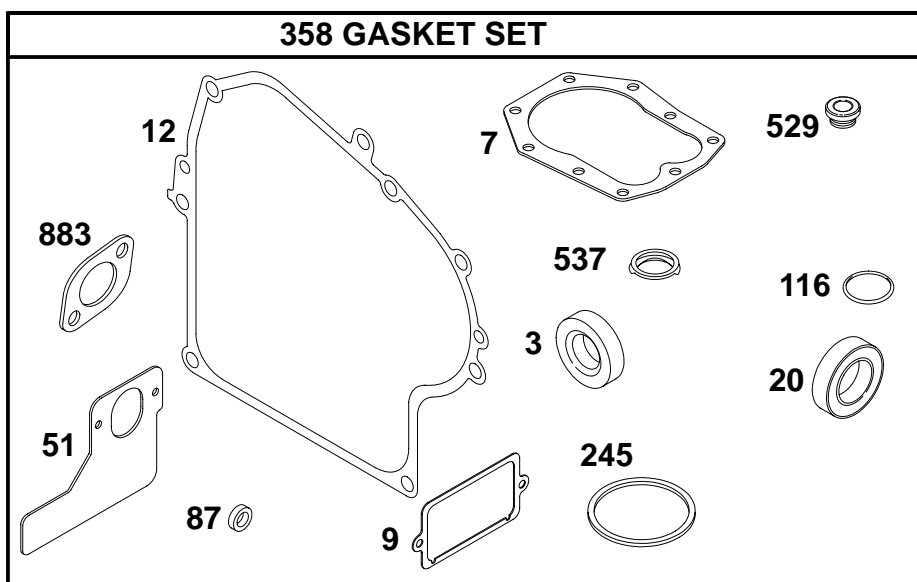
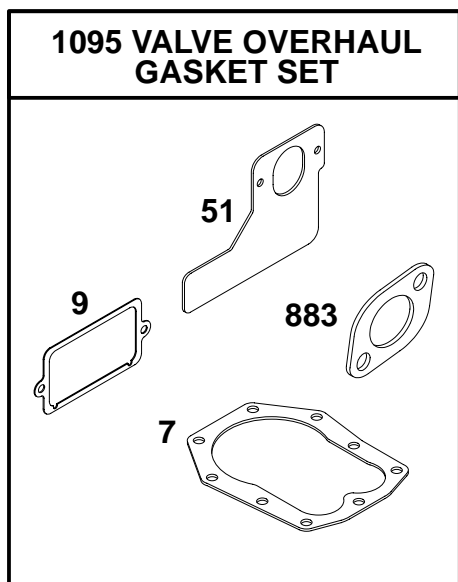
REF. NO.	PART NO.	DESCRIPTION	REF. NO.	PART NO.	DESCRIPTION	REF. NO.	PART NO.	DESCRIPTION
<b>309A</b>		Motor-Starter (For Replacement Starter Motor, See Ref 309, Previous Page.)	<b>510A</b>	<b>495878</b>	Drive-Starter	<b>802A</b>	<b>395537</b>	Cap-End (For 3 5/8" and 4 3/8" Housing Lengths)
	<b>310</b>	<b>94003</b> Bolt (Starter Motor) (For 3 5/8" Housing Length)	<b>510B</b>	<b>391461</b>	Drive-Starter		<b>803A</b>	<b>398159</b> Housing-Starter (For 3 5/8" Housing Length)
		<b>Note</b> _____ <b>95035</b> Bolt (Starter Motor) (For 4 3/8" Housing Length)	<b>513</b>	<b>398003</b>	Clutch-Drive			<b>Note</b> _____ <b>494205</b> Housing-Starter (For 4 9/16" Housing Length)
		<b>94169</b> Bolt (Starter Motor) (For 4 9/16" Housing Length)	<b>697</b>	<b>94627</b>	Screw (Starter Motor Mounting)		<b>834</b>	<b>92507</b> Washer (Starter Terminal)
	<b>311A</b>	<b>395538</b> Brush Set (For 3 5/8" and 4 3/8" Housing Lengths)	<b>729A</b>	<b>224723</b>	Clip-Wire		<b>876</b>	<b>495877</b> Kit-Gear
			<b>773</b>	<b>391462</b>	Retainer-Clutch		<b>896</b>	<b>94288</b> Pin-Drive Retainer (Copper)
	<b>311B</b>	<b>490311</b> Brush Set (For 4 9/16" Housing Length)	<b>783</b>	<b>693059</b>	Gear-Starter		<b>896A</b>	<b>94192</b> Pin-Drive Retainer (Black)
			<b>797</b>	<b>93715</b>	Nut (Starter Terminal)		<b>926</b>	<b>498233</b> Housing/Cap Kit (Hsg. Length 4 9/16")
			<b>797A</b>	<b>693167</b>	Nut (Starter Terminal)		<b>1003</b>	<b>490316</b> Spring-Brush (Hsg. Length 4 9/16")
			<b>801A</b>	<b>394856</b>	Cap-Drive			

★ Included in Gasket Set-Part No. 393411.  
● Included in Carburetor Kit-Part No. 394698.

∅ Included in Valve Overhaul Gasket Set-Part No. 498537.



**252700 to 252799**



REF. NO.	PART NO.	DESCRIPTION	REF. NO.	PART NO.	DESCRIPTION	REF. NO.	PART NO.	DESCRIPTION
3	★391086	Seal-Oil	20	★291675	Seal-Oil	245	★68477	Gasket-Bowl
7	∅★271866	Gasket-Cylinder Head	51	∅★270872	Gasket-Intake	358	393411	Gasket Set
9	∅★27803	Gasket-Breather	87	★491323	Seal-Governor Shaft	529	★281370	Seal-Fill Tube
12	★271702	Gasket-Crankcase (.015" Thick, Standard)	94	●292681	Kit-Idle Mixture	537	★270853	Gasket-Air Cleaner
	<b>Note</b>		104	●231435	Pin-Float Hinge	883	∅★272293	Gasket-Exhaust
	★270915	Gasket-Crankcase (.005" Thick)	105	●394681	Valve-Needle (Gravity Feed)	1095	498537	Gasket Set-Valve Overhaul
	★270916	Gasket-Crankcase (.009" Thick)	113	●299740	Nozzle-Carburetor			
			116	★270920	Seal-O-Ring			
			118	●396568	Valve-High-Speed			
			121	394698	Carburetor Kit			
			127	●221997	Plug-Welch			

★ Included in Gasket Set-Part No. 393411.  
● Included in Carburetor Kit-Part No. 394698.

∅ Included in Valve Overhaul Gasket Set-Part No. 498537.