



Illustrated Parts List

Model Series

243400

TYPE NUMBERS

0010 through 0024,
0110 through 0200,
0510 through 0561,
0610 through 0801,
0131, 0137, 0150,
0152, 0165, 1111,
1116,
1130 through 1164,
1166 through 1170,
1172, 1173, 1174,
2520 through 2531,
2540, 2541, 2550,
2561, 2580, 2581.

TO FIND

THE CORRECT NUMBER OF THE PART YOU NEED: FOLLOW THE INSTRUCTIONS BELOW

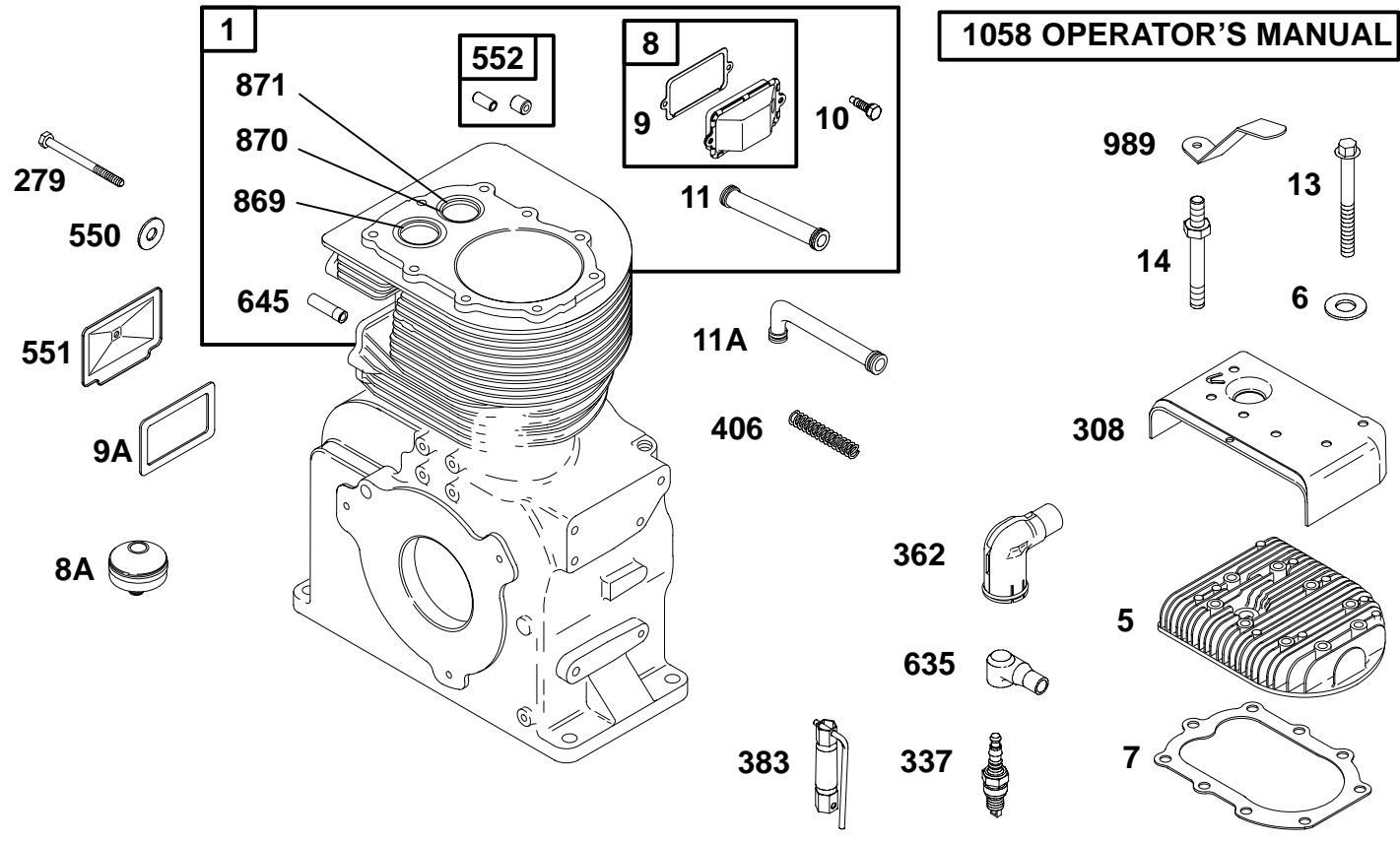
- A. Refer to Engine Model, Type and Code Number that is stamped on the blower housing of engine. Engine type numbers such as 0123 01 are listed only as 0123 in most instances. The two digits (01 or 02, etc.) to the right of the space may be required for more accurate parts identification in some instances. Select the Illustrated Parts List covering the correct Model Series and Type Number.
- B. Refer to the Illustrations and compare the original part with Illustration. The number next to the illustration is the Reference Number. Assemblies include all parts shown in frames. All parts shown in assembly frames having individual reference numbers can be purchased separately.
- C. After the Reference Number has been identified, refer to the Numerical text, where Reference and Primary Part Number are listed. **THE PRIMARY PART IS USED ON ALL TYPE NUMBERS EXCEPT THOSE TYPE NUMBERS UNDER NOTE.**
- D. If a *Note* appears below the Primary Part Number, it means that this part differs from the Primary Part for certain types. If your Type number is listed under *Note*, order the part referred to at the *Note*.
- E. If your Engine Type Number does not appear after any part number listed under *Note*, use the Primary Part Number.
- F. For Engine Type Numbers not covered by this book, check other Parts Lists having the same engine model or contact your source of supply.

PRINTED IN U.S.A.



COPYRIGHT by BRIGGS & STRATTON CORPORATION
All rights reserved. No part of this material may be reproduced or transmitted, in any form or by any means, electronic or mechanical, including photocopying, recording or by any information storage and retrieval system, without permission in writing from Briggs & Stratton Corporation.

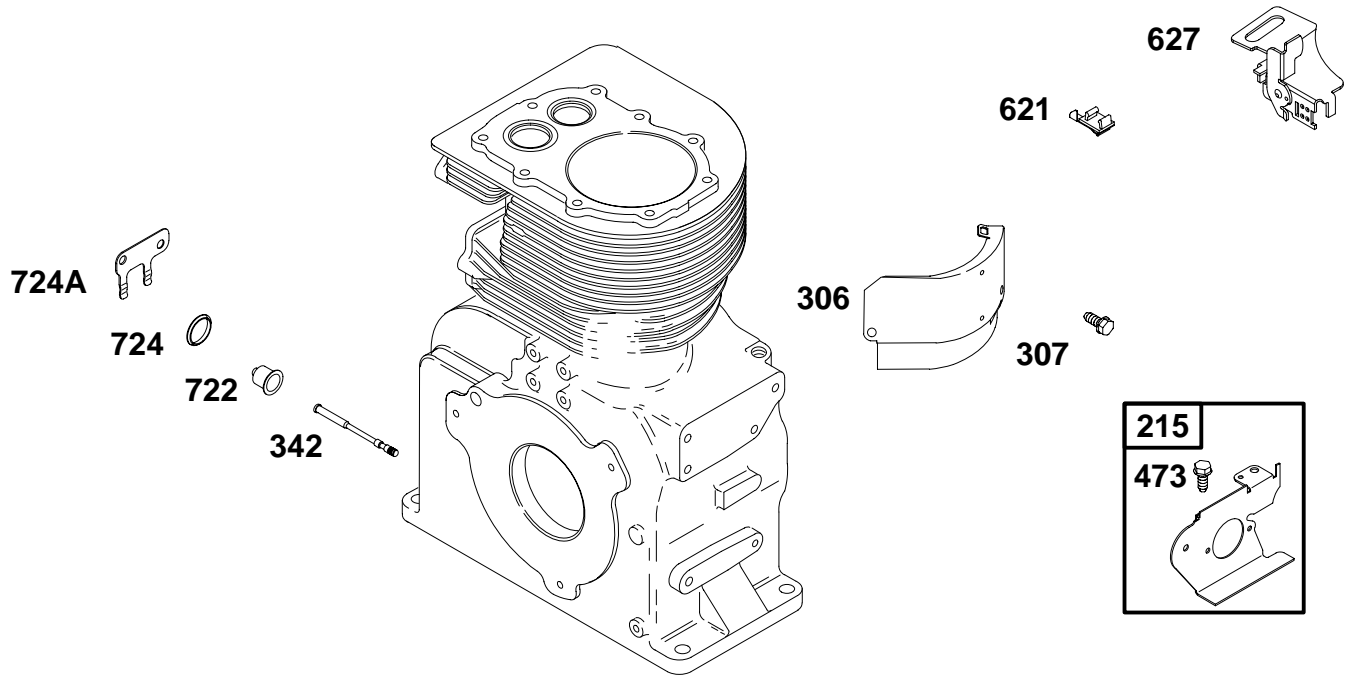
243400



| REF. NO. | PART NO. | DESCRIPTION | REF. NO. | PART NO. | DESCRIPTION | REF. NO. | PART NO. | DESCRIPTION |
|----------|----------|---------------------------|------------------|-----------------------|------------------------|---|--|--|
| 1 | 395668 | Cylinder Assembly | 279 | 690294 | Screw (Valve Cover) | 635 | 66538 | Boot-Spark Plug |
| 5 | 691150 | Head-Cylinder | 308 | 690609 | Cover-Cylinder Head | 645 | 692880 | Bushing-Plunger |
| 6 | 691261 | Washer (Cylinder Head) | 337 | 492167 | Plug-Spark | 869 | 21880 | Seat-Valve (Intake) |
| 7 | ★692230 | Gasket-Cylinder Head | ----- Note ----- | | | 870 | 691583 | Seat-Valve (Exhaust) |
| 8 | 495738 | Breather Assembly | 802592 | Plug-Spark (Resistor) | 871 | 231218 | Bushing-Valve Guide | |
| 8A | 297704 | Breather Assembly | 362 | 691954 | Shield-Spark Plug | 989 | 690578 | Stop Switch-Spark Plug |
| 9 | ★27803 | Gasket-Breather | 383 | 89838 | Wrench-Spark Plug | ----- Note ----- | | |
| 9A | ★66214 | Gasket-Breather | 406 | 690533 | Spring-Breather Tube | 298926 | Stop Switch-Spark Plug (With Switch Point) | |
| 10 | 691666 | Screw (Breather Assembly) | 550 | ★22353 | Washer (Valve Cover) | Used on Type No(s). 0661, 0743, 0763, 0801, 1111, 1116, 1130, 1131, 1133, 1136, 1137, 1160, 1163, 1164, 1166, 1167, 1170, 1172, 2520, 2524, 2528, 2529, 2540, 2550, 2561. | | |
| 11 | 691512 | Tube-Breather | 551 | 22795 | Cover-Valve | 1058 | 270373 | Operator's Manual (Non Emission Engines) |
| 11A | 67068 | Tube-Breather | 552 | 393666 | Bushing-Governor Crank | | | |
| 13 | 691441 | Screw (Cylinder Head) | | | | | | |
| 14 | 691690 | Stud (Cylinder Head) | | | | | | |

★ Engine Gasket Set - Reference 358

● Carburetor Overhaul Kit - Reference 121

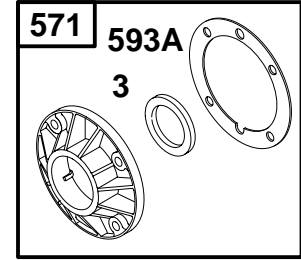
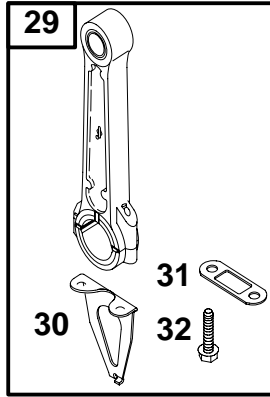
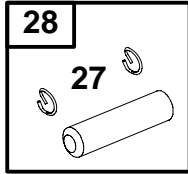
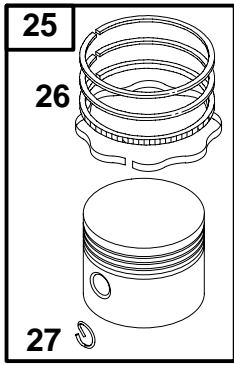


| REF. NO. | PART NO. | DESCRIPTION | REF. NO. | PART NO. | DESCRIPTION | REF. NO. | PART NO. | DESCRIPTION |
|----------|----------|----------------------------|----------|----------|----------------------|----------|----------|---------------|
| 215 | 291871 | Guide-Air | 473 | 692198 | Screw (Rod Guide) | 722 | 68768 | Seal-Plunger |
| 306 | 690399 | Shield-Cylinder | 621 | 297472 | Switch-Stop | 724 | 93516 | Retainer-Seal |
| 307 | 692198 | Screw (Cylinder Shield) | 627 | 392884 | Bracket-Stopswitch | 724A | 221873 | Retainer-Seal |
| 342 | 298125 | Plunger-Breaker | | | | | | |

★ Engine Gasket Set – Reference 358

● Carburetor Overhaul Kit – Reference 121

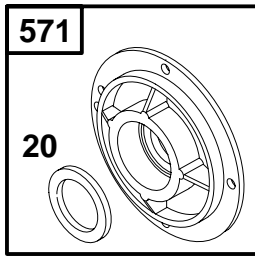
243400



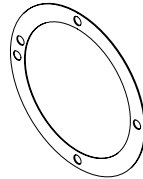
| REF. NO. | PART NO. | DESCRIPTION | REF. NO. | PART NO. | DESCRIPTION | REF. NO. | PART NO. | DESCRIPTION |
|----------|----------|---|----------|----------|---------------------------------------|----------|----------|--|
| 3 | 391086 | Seal–Oil (Magneto Side) | 27 | 691073 | Lock–Piston Pin | 571 | 291672 | Support–Bearing |
| 25 | 299085 | Piston Assembly (Standard) | 28 | 298401 | Pin–Piston (Standard) | | | ----- Note ----- |
| | | ----- Note ----- | | | 294681 Pin–Piston (.005" Oversize) | | | 394178 Support– Bearing |
| | | 299087 Piston Assembly (.020" Oversize) | 29 | 299080 | Rod–Connecting (Standard) | | | Used on Type No(s). 0528, 0529, 0530 0614, 0621, 0772, 0774, 0775, 0776, 0778, 0783, 0784, 0792, 0799, 0800, 1139, 1147, 1148, 1153, 1156, 1162, 1163, 1167, 1173, 2528, 2529, 2530, 2550. |
| 26 | 299089 | Ring Set (Standard) | | | ----- Note ----- | | | |
| | | ----- Note ----- | 30 | 691726 | Dipper–Connecting Rod | 593A | ★690268 | Gasket–Bearing Support (.015" Thick) |
| | | 299091 Ring Set (.020" Oversize) | 31 | 690396 | Lock–Rod Screw | | | ----- Note ----- |
| | | | 32 | 691765 | Screw (Connecting Rod) | | | ★27374 Gasket– Bearing Support (.005" Thick) |
| | | | 228 | 691681 | Screw (Bearing Support) | | | ★27375 Gasket– Bearing Support (.009" Thick) |

★ Engine Gasket Set – Reference 358

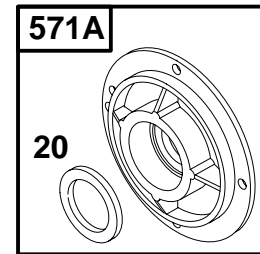
● Carburetor Overhaul Kit – Reference 121



593



228 

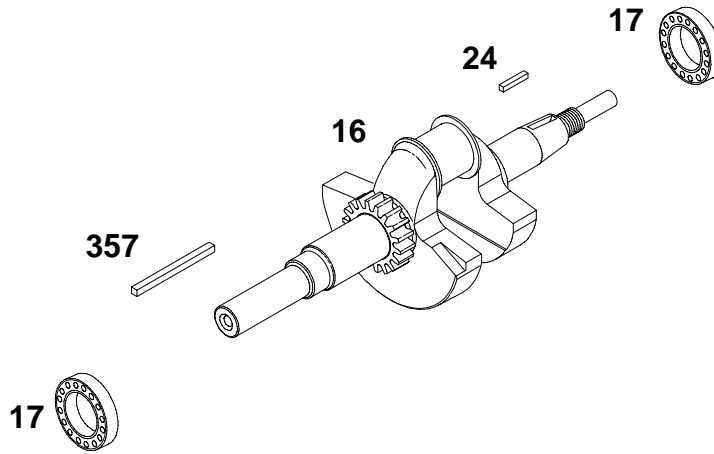


| REF. NO. | PART NO. | DESCRIPTION | REF. NO. | PART NO. | DESCRIPTION | REF. NO. | PART NO. | DESCRIPTION | | | | | |
|----------|----------|--|----------|----------|---|----------|----------|---|-----|--------|----------------------------|--------|--|
| 20 | ★291675 | Seal–Oil (PTO Side) Used on Type No(s). 1111, 1130, 1133, 1135, 1136, 1137, 1164, 1170, 1172, 1174, 2520, 2524, 2528, 2529, 2531, 2561, 2581. ----- Note ----- 299539 Seal–Oil (PTO Side) Used on Type No(s). 1131, 1132, 1142, 1145, 1146, 1149, 1154, 1155, 1160, 1166, 1167, 1168, 1172, 1173, 1174, 2522, 2530. 691948 Seal–Oil (PTO Side) Used on Type No(s). 0626, 0627, 0630, 0665, 0709, 2580. | 571 | 291710 | Cover–Crankcase Used on Type No(s). 0024, 0124, 0139, 0149, 0166, 0170, 0200, 0524, 0529, 0655, 0671, 0684, 0712, 0724, 0759, 0772, 0784, 1111, 1130, 1133, 1134, 1135, 1136, 1137, 1138, 1139, 1140, 1141, 1143, 1144, 1147, 1148, 1150, 1151, 1152, 1153, 1156, 1157, 1158, 1159, 1161, 1162, 1163, 1164, 1169, 1170, 1172, 1173, 1174, 2520, 2524, 2528, 2529, 2531, 2561, 2581. | 571A | 291665 | Support–Bearing ----- Note ----- 390054 Support– Bearing Used on Type No(s). 0022, 0143, 0167, 0172, 0177, 0194, 0635, 0647, 0688, 0700, 0705, 0733, 0746, 0754, 0755, 0757, 0766, 0775, 0777, 0778, 0781, 0791, 0792, 1131, 1132, 1142, 1145, 1146, 1149, 1154, 1155, 1160, 1166, 1167, 1168, 2522, 2530. | 228 | 691681 | Screw (Bearing Support) | 390114 | Support– Bearing Used on Type No(s). 0173, 0174, 0185, 0190, 0198, 0525, 0527, 0530, 0615, 0622, 0631, 0636, 0641, 0659, 0664, 0669, 0670, 0674, 0676, 0677, 0678, 0686, 0687, 0689, 0697, 0699, 0704, 0707, 0715, 0716, 0717, 0718, 0720, 0721, 0729, 0732, 0734, 0735, 0739, 0743, 0748, 0761, 0763, 0765, 0769, 0770, 0771, 0776, 0779, 0782, 0785, 0793, 0794, 0795, 0796, 0801, 1131, 1132, 1142, 1145, 1146, 1149, 1154, 1155, 1160, 1166, 1167, 1168, 2522, 2530. 391062 Support– Bearing Used on Type No(s). 0626, 0627, 0630, 0665, 0709, 2580. |
| | | | | | | 593 | ★691311 | Gasket–Bearing Support (.015" Thick) | | | | | |

★ Engine Gasket Set – Reference 358

● Carburetor Overhaul Kit – Reference 121

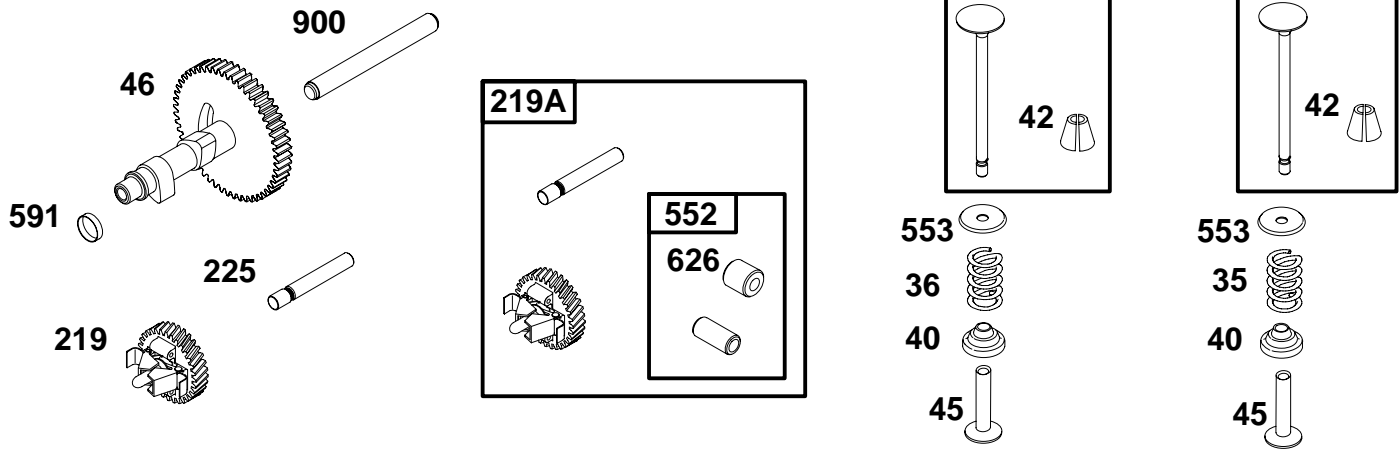
243400



| REF. NO. | PART NO. | DESCRIPTION | REF. NO. | PART NO. | DESCRIPTION | REF. NO. | PART NO. | DESCRIPTION |
|----------|----------|--|----------|----------|---|----------|----------|--|
| 16 | 690530 | Crankshaft ----- Note ----- 260887 Crankshaft Used on Type No(s). 0022, 0143, 0167, 0172, 0173, 0174, 0177, 0185, 0190, 0194, 0198, 0522, 0615, 0631, 0635, 0636, 0641, 0647, 0659, 0664, 0669, 0670, 0686, 0697, 0705, 0717, 0721, 0732, 0743, 0748, 0755, 0763, 0765, 0769, 0771, 0776, 0779, 0781, 0785, 0793, 0796, 1132, 1142, 1149, 1166, 1167, 1168, 2522, 2530. 690532 Crankshaft Used on Type No(s). 0626, 0627, 0630, 0665, 0709, 2580. 261240 Crankshaft Used on Type No(s). 0525, 0527, 0674, 0676, 0687, 0689, 0707, 0716, 0729, 0775, 0778, 0782, 0792, 1154, 1155. | | | 690539 Crankshaft Used on Type No(s). 0561, 0624, 0736, 0737, 0738, 0744, 0749, 0762, 0768, 0780, 0786, 0797, 1136, 1139, 1141, 1151, 1156, 1159, 1164, 2561. 261295 Crankshaft Used on Type No(s). 0560, 0619, 0660, 0661, 0666, 0675, 0685, 0693, 0702. 261421 Crankshaft Used on Type No(s). 0733, 0734, 0735, 0739, 0754, 0757, 0761, 0770, 0794, 0801, 1131, 1145, 1146, 1160. 261493 Crankshaft Used on Type No(s). 0746, 0766, 0777, 0791, 1154. | | | 261549 Crankshaft (Used After Code Date 77072400). Used on Type No(s). 1117, 1134, 1152 1170, 1172, 2524, 2529. 260885 Crankshaft (Used Before Code Date 77072500). Used on Type No(s). 0021, 0024, 0112, 0116, 0139, 0165, 0166, 0186, 0524, 0529, 0612, 0616, 0644, 0671, 0706, 0724, 0727, 0759, 0772, 0784, 0798, 1170, 1172, 2524, 2529. XXXXXX Crankshaft Used on Type No(s). 1116, 2540, 2550. 262021 Crankshaft Used on Type No(s). 2541. |
| | | | | | | 17 | 691938 | Bearing-Ball |
| | | | | | | 24 | 222698 | Key-Flywheel |
| | | | | | | 357 | 691483 | Key-Drive Pulley |

★ Engine Gasket Set – Reference 358

● Carburetor Overhaul Kit – Reference 121

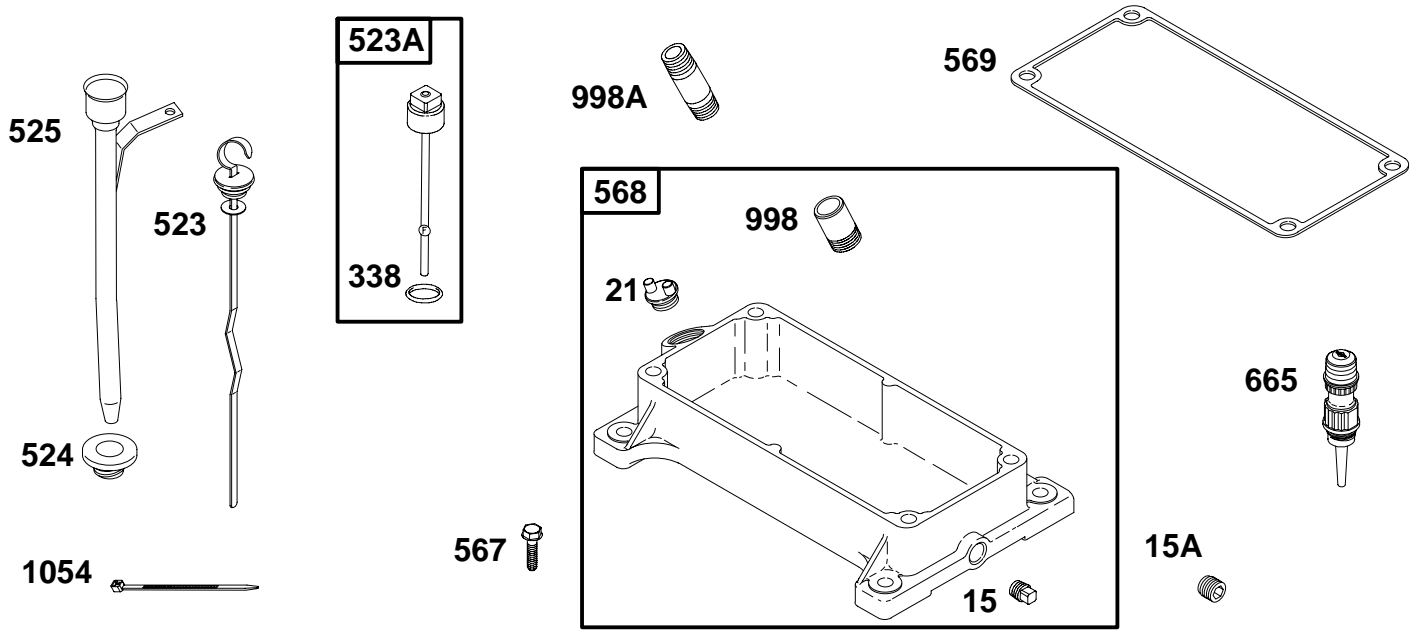


| REF. NO. | PART NO. | DESCRIPTION | REF. NO. | PART NO. | DESCRIPTION | REF. NO. | PART NO. | DESCRIPTION |
|----------|----------|--|----------|----------|---|----------|----------|---|
| 33 | 394436 | Valve-Exhaust | 45 | 691594 | Tappet-Valve | 553 | 690269 | Retainer-Valve Spring |
| 34 | 394434 | Valve-Intake | 46 | 211335 | Camshaft | 591 | 691070 | Plug-Camshaft Used on Type No(s). 1133, 1135, 1137, 1170, 1172, 1173, 1174, 2524, 2540. |
| 35 | 691597 | Spring-Valve (Intake) | 219 | 393720 | Gear-Governor | 626 | 690512 | Spacer-Governor Crank |
| 36 | 691597 | Spring-Valve (Exhaust) | 219A | 291192 | Gear-Governor (Used Before Code Date 78062000). | 900 | 691071 | Shaft-Gear |
| 40 | 691939 | Retainer-Valve ----- Note ----- 690274 Retainer- Valve Used on Type No(s). 2550. | 225 | 691357 | Shaft-Governor Gear | | | |
| 42 | 494553 | Keeper-Valve ----- Note ----- 68283 Keeper-Valve (Used Before Code Date 81062410). | 552 | 393666 | Bushing-Governor Crank | | | |

★ Engine Gasket Set - Reference 358

● Carburetor Overhaul Kit - Reference 121

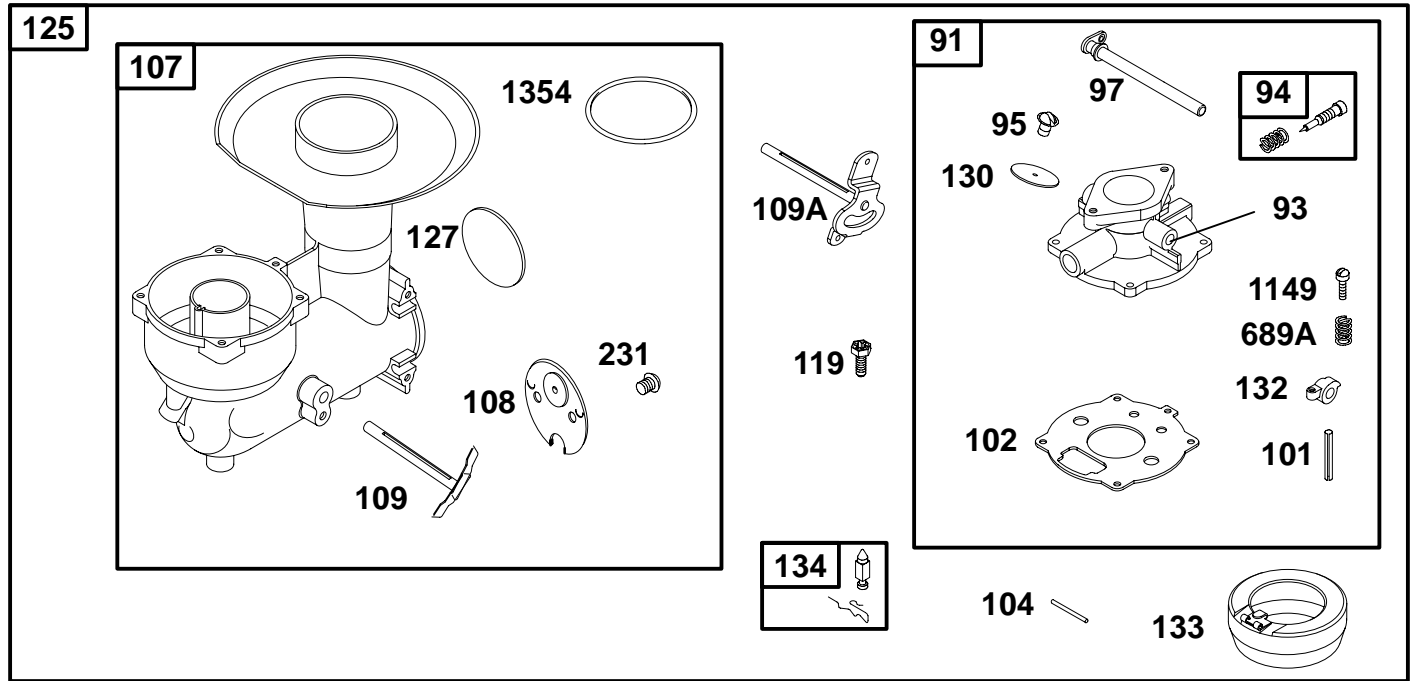
243400



| REF. NO. | PART NO. | DESCRIPTION | REF. NO. | PART NO. | DESCRIPTION | REF. NO. | PART NO. | DESCRIPTION |
|----------|----------|---|----------|----------|---|----------|----------|--------------------|
| 15 | 690946 | Plug-Oil Drain (Square Head) | 568 | 291404 | Base-Engine | 569 | ★691569 | Gasket-Engine Base |
| 15A | 691680 | Plug-Oil Drain (Hex Socket) | | | ----- Note ----- | 665 | 298860 | Minder-Oil |
| 21 | 281658 | Cap-Oil Fill | | | 294751 Base-Engine | 998 | 690502 | Pipe-Oil |
| 338 | 690270 | Gasket-Dipstick Used on Type No(s). 0196, 0626, 0627, 0630, 0665, 0709, 2580. | | | Used on Type No(s). 0020, 0023, 0129, 0132, 0135, 0137, 0146, 0160, 0163, 0164, 0183, 0194, 0195, 0197, 0199, 0520, 0522, 0524, 0527, 0632, 0637, 0640, 0644, 0651, 0652, 0658, 0662, 0670, 0673, 0675, 0676, 0682, 0683, 0684, 0689, 0695, 0696, 0702, 0703, 0707, 0712, 0716, 0740, 0750, 0760, 0764, 1174, 2524. | 998A | 690307 | Pipe-Oil |
| 523 | 691352 | Dipstick | | | 391165 Base-Engine | 1054 | 280275 | Tie-Cable |
| 523A | 690620 | Dipstick Used on Type No(s). 2580. | | | Used on Type No(s). 0147, 0196, 0620 0626, 0627, 0630, 0653, 0656, 0657, 0660, 0665, 0680, 0685, 0690, 0692, 0709, 0722, 0731, 0738, 0739, 0768, 0771, 0776, 1131, 1148, 1149, 1150, 1160, 2580. | | | |
| 524 | ★281370 | Seal-Dipstick Tube | | | | | | |
| 525 | 690624 | Tube-Dipstick ----- Note ----- 690623 Tube-Dipstick Used on Type No(s). 1160. | | | | | | |
| 567 | 691104 | Screw (Engine Base) | | | | | | |

★ Engine Gasket Set - Reference 358

● Carburetor Overhaul Kit - Reference 121

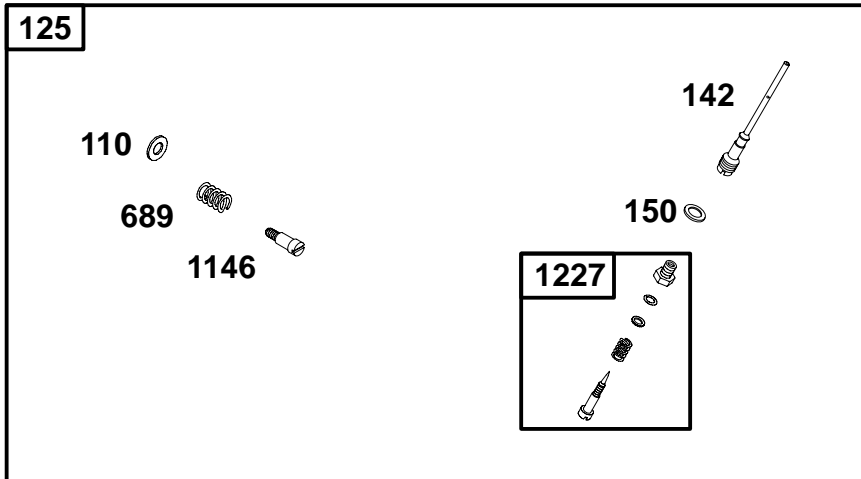


| REF. NO. | PART NO. | DESCRIPTION | REF. NO. | PART NO. | DESCRIPTION | REF. NO. | PART NO. | DESCRIPTION | | |
|----------|----------|---|----------|----------|---|----------|----------|--|--------|------------------------|
| 91 | 391034 | Body-Upper Carburetor ----- Note ----- 299098 Body-Upper Carburetor Used on Type No(s). 0010, 0131, 0137, 0150, 0152, 0165, 0201, 0510. | 109 | 691353 | Shaft-Choke | | | 1133, 1136, 1137, 1164, 1166, 1167, 1170, 1172, 2520, 2524, 2528, 2529, 2540, 2561, 2580. | | |
| | | | 109A | 690617 | Shaft-Choke Used on Type No(s). 0123, 0124, 0132, 0133, 0147, 0148, 0149, 0156, 0169, 0176, 0178, 0191, 0192, 0193, 0196, 0626, 0627, 0630, 0639, 0648, 0649, 0651, 0652, 0653, 0656, 0665, 0667, 0718, 0722, 0735, 2580. | | | 392182 Carburetor Used on Type No(s). 0709. | | |
| 93 | 691769 | Bushing-Throttle Shaft | | | | 127 | 690627 | Plug-Welch | | |
| 94 | 292681 | Kit-Idle Mixture | | | | 130 | 691727 | Valve-Throttle | | |
| 95 | 691437 | Screw (Throttle Valve) | | | | 132 | 691708 | Stop-Throttle | | |
| 97 | 691944 | Shaft-Throttle | | | | 133 | 692265 | Float-Carburetor | | |
| 101 | 691616 | Pin-Shaft | 119 | 691090 | Screw (Upper Body to Lower Carburetor Body) | 134 | 394681 | Kit-Needle/Seat ----- Note ----- 394682 Kit-Needle/ Seat (Includes Brass Seat) 394683 Kit-Needle/ Seat (Includes Brass Seat) (Use With Impulse Pump) | | |
| 102 | 692215 | Gasket-Carburetor Body | | | | | | | | |
| 104 | 691775 | Pin-Float Hinge | | | | | | | | |
| 107 | 391069 | Body-Lower Carburetor | 125 | 391073 | Carburetor ----- Note ----- 391074 Carburetor Used on Type No(s). 0123, 0124, 0132, 0133, 0147, 0148, 0149, 0156, 0169, 0176, 0178, 0191, 0192, 0193, 0196, 0626, 0627, 0630, 0639, 0648, 0649, 0651, 0652, 0653, 0656, 0665, 0667, 0718, 0722, 0735, 1111, 1116, 1132, | | | 231 | 691437 | Screw (Choke Valve) |
| 108 | 690621 | Valve-Choke ----- Note ----- 298730 Valve-Choke Used on Type No(s). 0131, 0137, 0150, 0152, 0165. | | | | 689A | 691591 | Spring-Friction | | |
| | | | | | | 1149 | 691615 | Screw (Throttle Shaft) | | |
| | | | | | | 1354 | 691929 | Seal-O Ring (Lower Carburetor Body) | | |

★ Engine Gasket Set - Reference 358

● Carburetor Overhaul Kit - Reference 121

243400



158 

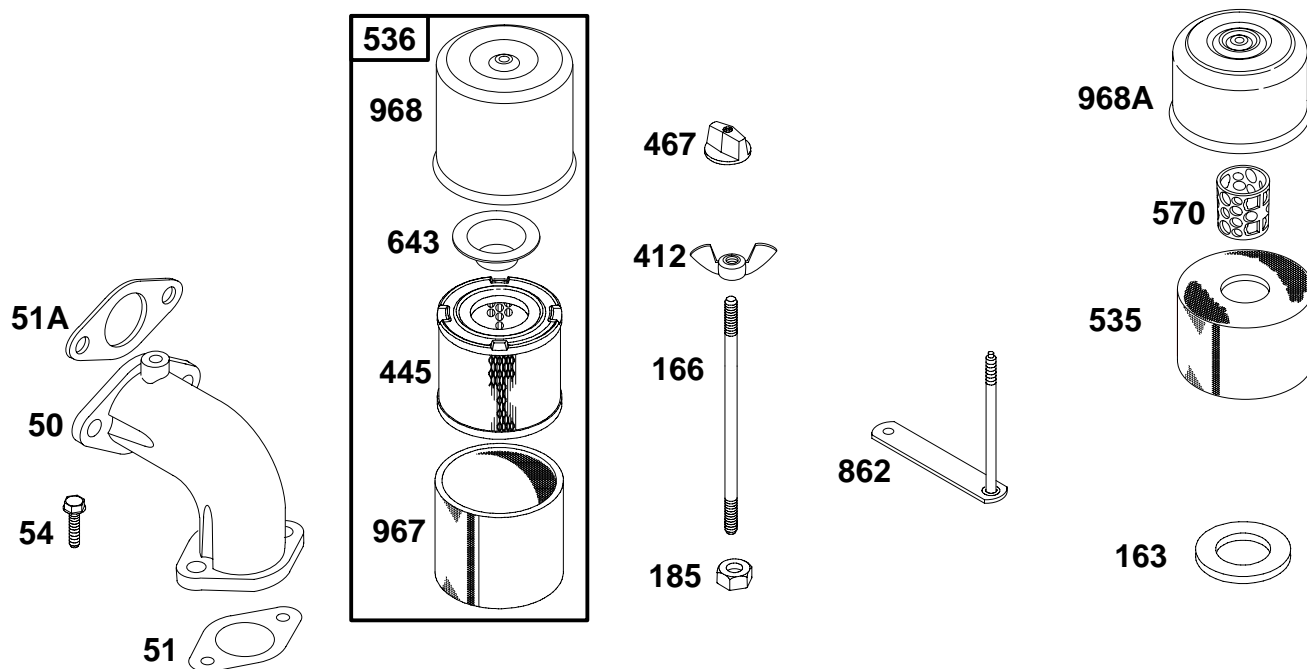
800 

| REF. NO. | PART NO. | DESCRIPTION | REF. NO. | PART NO. | DESCRIPTION | REF. NO. | PART NO. | DESCRIPTION |
|----------|----------|-----------------------------------|----------|----------|--|----------|----------|---------------------------------|
| 110 | 691186 | Washer (Choke Shaft) | 142 | ●691966 | Nozzle-Carburetor (Standard) (Labeled B) (Used After Code Date 81101100). | 150 | ●691610 | Gasket-Nozzle |
| 125 | | Carburetor (See Previous Page) | | | ----- Note ----- ●390950 Nozzle-Carburetor (Standard) (Labeled B) (#40 Jet) (Used Before Code Date 81101200). | 158 | 27590 | Plug-Carburetor Filter/Drain |
| | | | | | | 689 | 691590 | Spring-Friction |
| | | | | | | 800 | 220521 | Retainer-Carburetor Drain |
| | | | | | | 1146 | 691587 | Screw (Choke Shaft) |
| | | | | | | 1227 | ●99525 | Valve-High Speed |

★ Engine Gasket Set – Reference 358

● Carburetor Overhaul Kit – Reference 121

243400

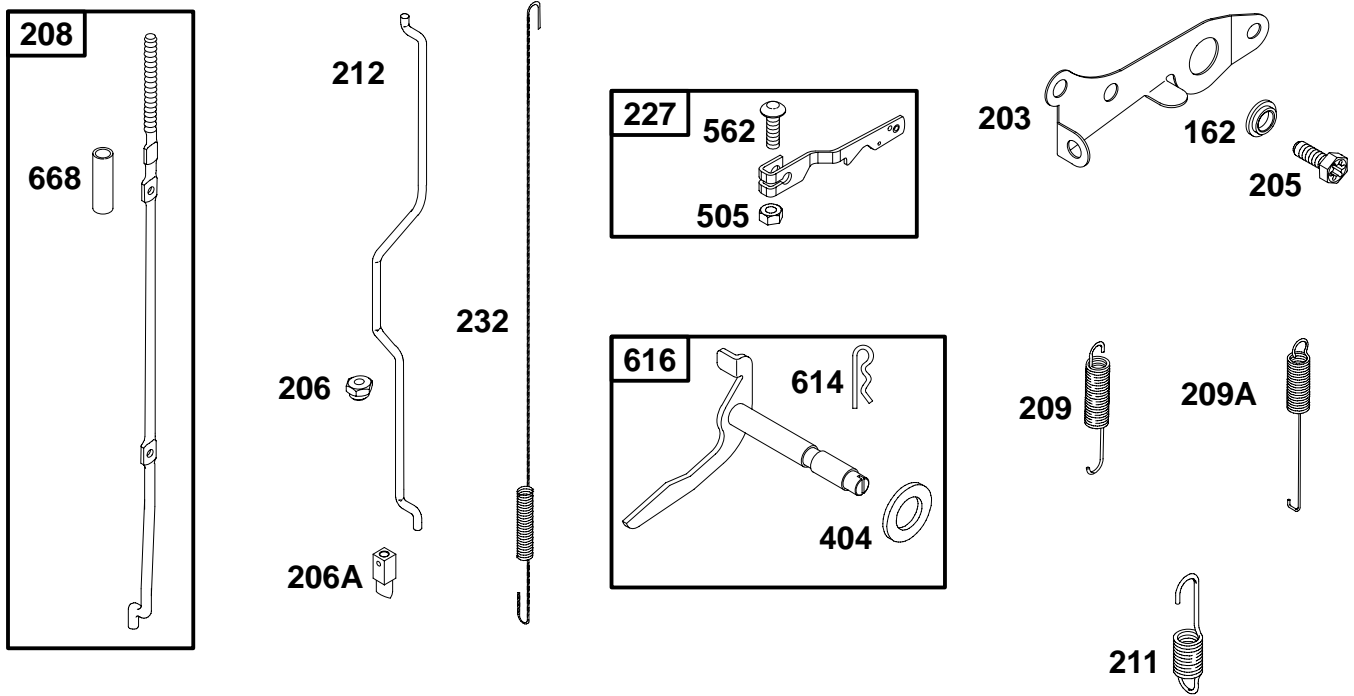


| REF. NO. | PART NO. | DESCRIPTION | REF. NO. | PART NO. | DESCRIPTION | REF. NO. | PART NO. | DESCRIPTION |
|----------|----------|--|----------|----------|---|----------|----------|---|
| 50 | 692525 | Manifold-Intake ----- Note ----- 691152 Manifold-Intake Used on Type No(s). 0147, 0148, 0178, 0192, 0193, 0626, 0627, 0630, 0639, 0648, 0649, 0653, 0656, 0665, 0709, 0718, 0722, 0735, 2580. | 163 | 67247 | Gasket-Air Cleaner | 535 | 270093 | Filter-Air Cleaner Foam |
| 51 | ★692214 | Gasket-Intake (Manifold to Carburetor) | 166 | 691241 | Stud (Air Cleaner) ----- Note ----- 231206 Stud (Air Cleaner) Used on Type No(s). 0131, 0137, 0150, 0152, 0165. 231207 Stud (Air Cleaner) Used on Type No(s). 0189. 230840 Stud (Air Cleaner) Used on Type No(s). 0123, 0176, 0196. | 536 | 391063 | Cleaner-Air ----- Note ----- 393858 Cleaner-Air (Air Cleaner Elbow Kit No. 545032 Supplied by Equipment Manufacturer When Using Briggs & Stratton Carburetor No. 391073) (Replaces Oil Bath) Used on Type No(s). 0122. |
| 51A | ★27381 | Gasket-Intake (Manifold to Engine) | 185 | 690284 | Nut (Air Cleaner Base) | 570 | 280001 | Support-Foam Element |
| 54 | 691681 | Screw (Intake Manifold) ----- Note ----- 690953 Screw (Intake Manifold) Used on Type No(s). 0147, 0148, 0178, 0192, 0193, 0626, 0627, 0630, 0639, 0648, 0649, 0653, 0656, 0665, 0709, 0718, 0722, 0735, 2580. | 412 | 691331 | Nut (Air Cleaner Cover) | 643 | 691730 | Retainer-Air Filter |
| | | | 445 | 393957 | Filter-Air Cleaner Cartridge | 862 | 297749 | Strap/Stud-Air Cleaner Mounting Used on Type No(s). 0122. |
| | | | 467 | 691668 | Knob-Air Cleaner | 967 | 271794 | Filter-Pre Cleaner |
| | | | | | | 968 | 691755 | Cover-Air Cleaner |
| | | | | | | 968A | 221468 | Cover-Air Cleaner |

★ Engine Gasket Set - Reference 358

● Carburetor Overhaul Kit - Reference 121

243400

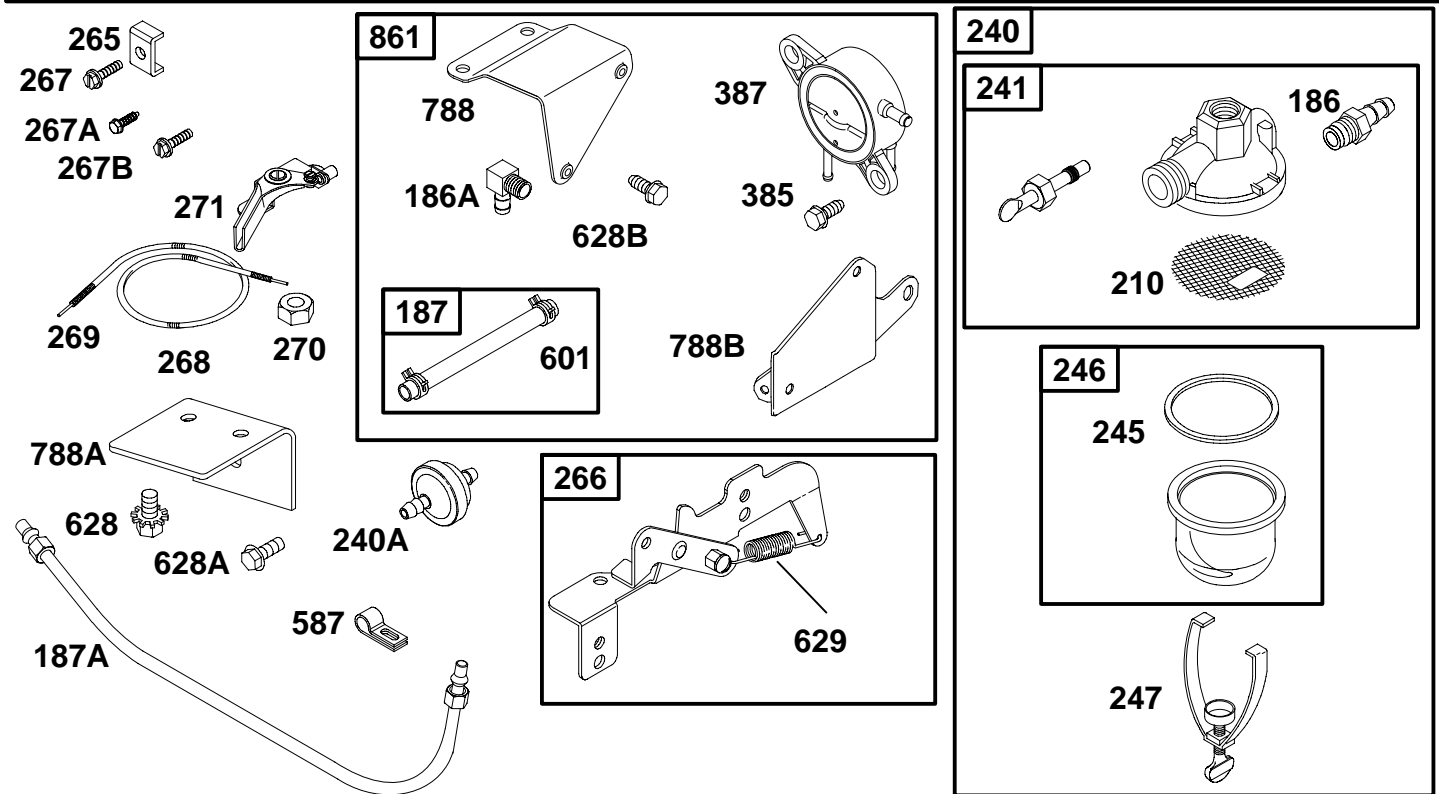


| REF. NO. | PART NO. | DESCRIPTION | REF. NO. | PART NO. | DESCRIPTION | REF. NO. | PART NO. | DESCRIPTION |
|----------|----------|---|----------|----------|--|----------|----------|--|
| 162 | 690267 | Collar-Bell Crank | 211 | 691790 | Spring-Governed Idle Used on Type No(s). 1111, 1133, 1136, 1164, 1170, 2520, 2528, 2561, 2580. | 232 | 692207 | Spring-Governor Link ----- Note ----- 690545 Spring-Governor Link Used on Type No(s). 0627, 0630, 0639, 0648, 0709, 2580. |
| 203 | 690263 | Crank-Bell | 212 | 691595 | Link-Throttle ----- Note ----- 691791 Link-Throttle Used on Type No(s). 0147, 0148, 0178, 0192, 0193, 0626, 0627, 0630, 0639, 0648, 0649, 0653, 0656, 0665, 0709, 0722, 2580. | 404 | 690264 | Washer (Governor Crank) |
| 205 | 690810 | Screw (Bell Crank) | 227 | 690607 | Lever-Governor Control ----- Note ----- 690616 Lever-Governor Control Used on Type No(s). 1111, 1133, 1136, 1164, 1170, 2520, 2528, 2561, 2580. | 505 | 691251 | Nut (Governor Control Lever) |
| 206 | 691079 | Nut-Governor Adjusting | | | | 562 | 92613 | Bolt (Governor Control Lever) |
| 206A | 691584 | Nut-Governor Adjusting | | | | 614 | 691620 | Pin-Cotter |
| 208 | 393613 | Rod-Governor Control | | | | 616 | 291364 | Crank-Governor |
| 209 | 691596 | Spring-Governor | | | | 668 | 690313 | Spacer (Governor Control Rod) |
| 209A | 691789 | Spring-Governor Used on Type No(s). 1111, 1133, 1136, 1164, 1170, 2520, 2528, 2561, 2580. | | | | | | |

★ Engine Gasket Set - Reference 358

● Carburetor Overhaul Kit - Reference 121

243400

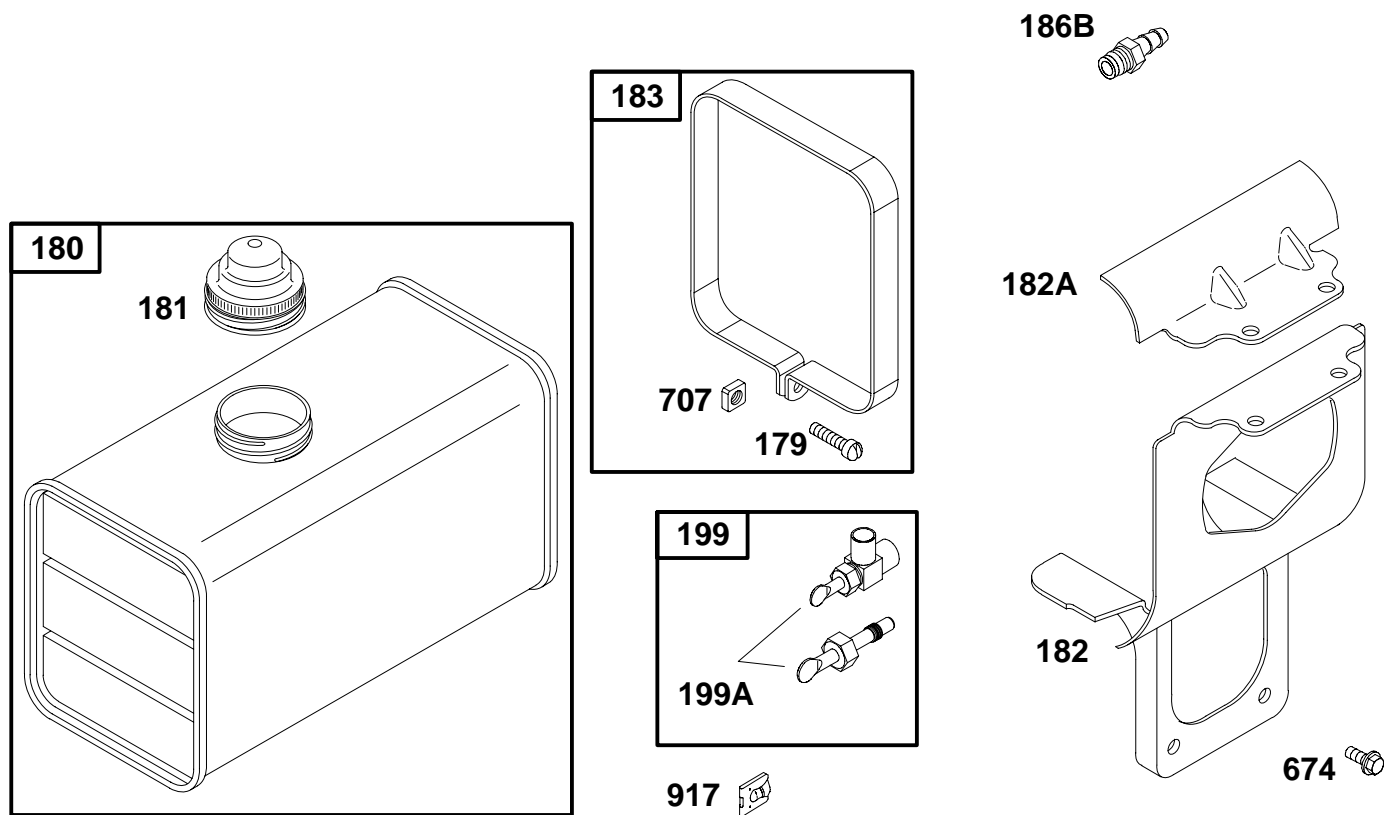


| REF. NO. | PART NO. | DESCRIPTION | REF. NO. | PART NO. | DESCRIPTION | REF. NO. | PART NO. | DESCRIPTION |
|----------|----------|---|----------|----------|--|----------|----------|--|
| 186 | 691764 | Connector-Hose | 245 | ★692190 | Gasket-Fuel Bowl | 268 | 691025 | Casing-Control Wire (Cut to Required Length) |
| 186A | 691609 | Connector-Hose (Fuel Pump) | 246 | 298683 | Bowl-Fuel Filter | 269 | 691026 | Wire-Control (Cut to Required Length) |
| 187 | 499167 | Line-Fuel | 247 | 691700 | Yoke-Bowl | 270 | 691027 | Nut (Control Wire Casing) |
| 187A | 298861 | Line-Fuel (Metal) | 265 | 692179 | Clamp-Casing | 271 | 691028 | Lever-Control |
| | | ----- Note ----- | 266 | 494554 | Control-Throttle | 385 | 692198 | Screw (Fuel Pump) |
| | | 299322 Line-Fuel (Metal) (20" Long) | | | ----- Note ----- | 387 | 808656 | Pump-Fuel |
| | | 89248 Line-Fuel (Metal) (2 1/4" Long) | | 299361 | Control-Throttle | 587 | 690389 | Clamp-Cable |
| 210 | 691962 | Strainer-Fuel | | | Used on Type No(s). 1144. | 601 | 95162 | Clamp-Hose |
| 240 | 690612 | Filter-Fuel | 267 | 93107 | Screw (Casing Clamp) | 628 | 93380 | Screw (Fuel Pump Bracket) |
| 240A | 298090 | Filter-Fuel | 267A | 690305 | Screw (Casing Clamp) Used on Type No(s). 1139, 1156, 1162. | 628A | 691058 | Screw (Fuel Pump Bracket) |
| | | ----- Note ----- | | | ----- Note ----- | 628B | 690661 | Screw (Fuel Pump Bracket) |
| | | 394358 Filter-Fuel (White) | | 691044 | Screw (Casing Clamp) Used on Type No(s). 0120, 0121, 0162, 0163, 0713. | 629 | 690538 | Spring-Throttle Return |
| 241 | | Cover-Fuel Filter (Used With Flexible Fuel Line. See Reference 240) | 267B | 691082 | Screw (Casing Clamp) Used on Type No(s). 1143, 1147, 1153. | 788 | 224123 | Bracket-Fuel Pump |
| | | ----- Note ----- | | | | 788A | 223610 | Bracket-Fuel Pump |
| | | 99909 Cover-Fuel Filter (Used With Metal Fuel Line) | | | | 788B | 690458 | Bracket-Fuel Pump |
| | | | | | | 861 | 494280 | Kit-Fuel Pump |

★ Engine Gasket Set - Reference 358

● Carburetor Overhaul Kit - Reference 121

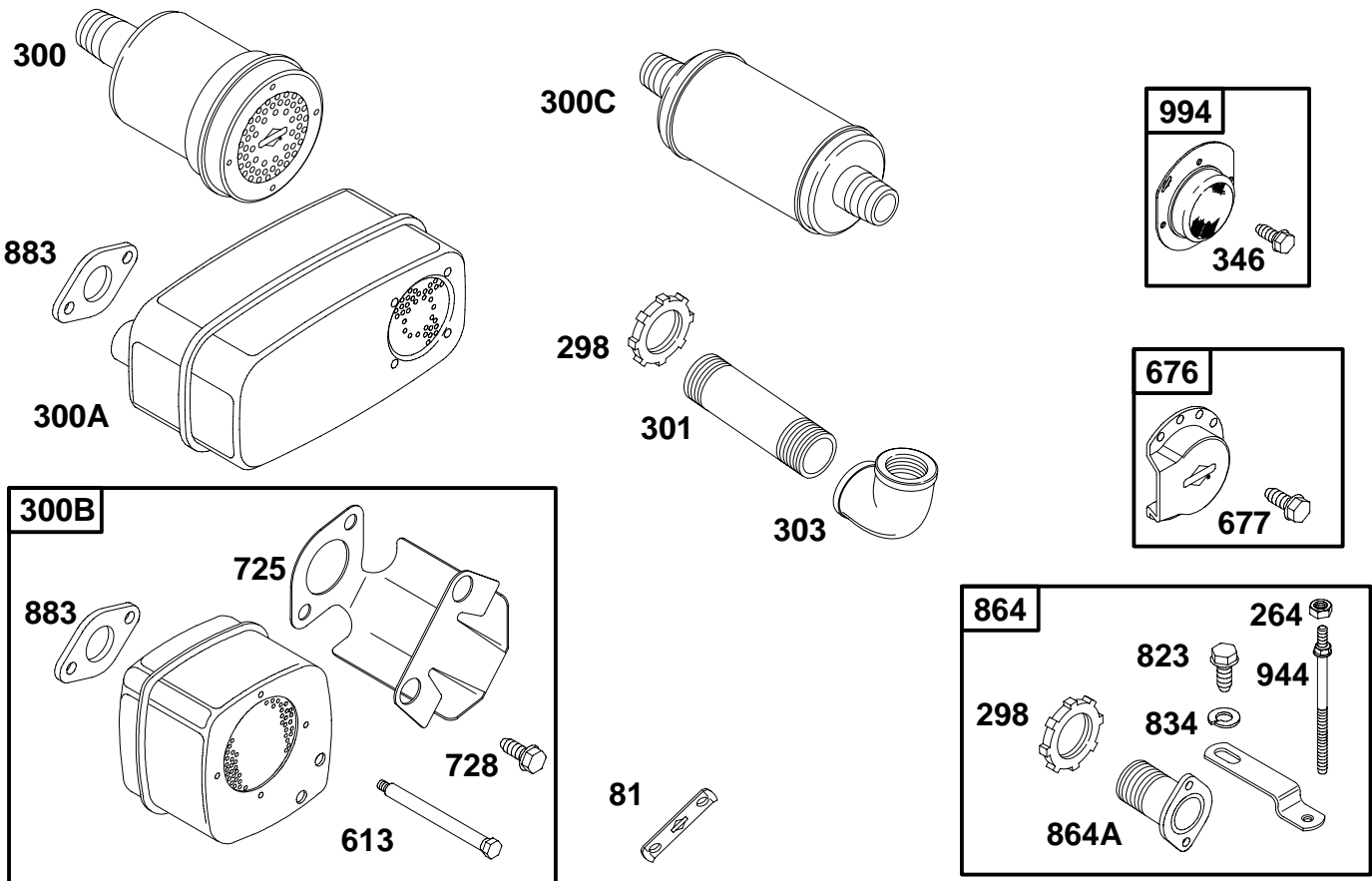
243400



| REF. NO. | PART NO. | DESCRIPTION | REF. NO. | PART NO. | DESCRIPTION | REF. NO. | PART NO. | DESCRIPTION |
|----------|----------|---|----------|----------|---|----------|----------|------------------------------|
| 179 | 690280 | Screw (Fuel Tank Strap) | 181 | 392305 | Cap-Fuel Tank | 199 | 692302 | Valve-Fuel Shut Off |
| 180 | 291488 | Tank-Fuel (6 Quart) | 182 | 690262 | Bracket-Fuel Tank | 199A | 691940 | Valve-Fuel Shut Off |
| | | Note ----- 290816 Tank-Fuel (4 Quart) Used on Type No(s). 0130, 0190, 0636, 0661, 0736, 0797, 1136. | 182A | 691068 | Bracket-Fuel Tank | 674 | 691058 | Screw (Fuel Tank Bracket) |
| | | 292415 Tank-Fuel (8 Quart) Used on Type No(s). 0125, 0140, 0154, 0157, 0179, 0187, 0644, 0654, 0657, 0660, 0679, 0686, 0689, 0697, 0707, 0720, 0731, 0732, 0749, 0750, 0758, 0760, 0765, 0768, 0773, 1131, 1137, 1138, 1141, 1150, 1168, 1173. | 183 | 691937 | Strap-Fuel Tank | 707 | 690279 | Nut (Fuel Tank Strap) |
| | | | | | Note ----- 291367 Strap-Fuel Tank Used on Type No(s). 0130, 0190, 0636, 0661, 0736, 0797, 1136. | 917 | 691737 | Handle-Shut Off Valve |
| | | | 186B | 231238 | Connector-Hose (Used With Metal Fuel Line) | | | |

★ Engine Gasket Set - Reference 358

● Carburetor Overhaul Kit - Reference 121

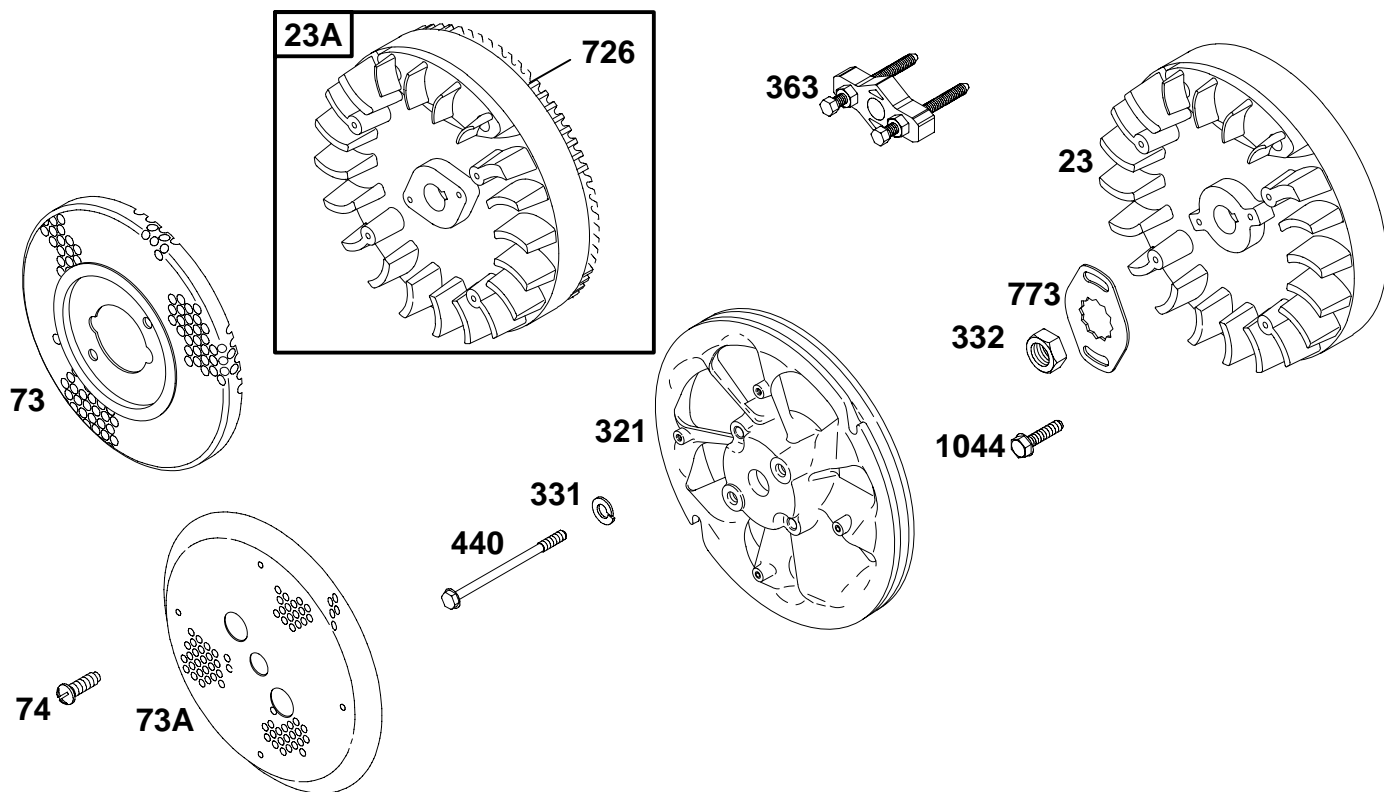


| REF. NO. | PART NO. | DESCRIPTION | REF. NO. | PART NO. | DESCRIPTION | REF. NO. | PART NO. | DESCRIPTION |
|----------|----------|----------------------------|----------|----------|--|----------|----------|-----------------------------|
| 81 | 691178 | Lock-Muffler Screw | 303 | 91296 | Elbow-Exhaust | 725 | 690420 | Shield-Heat |
| 264 | 691105 | Nut (Muffler Adapter) | | | ----- Note ----- | 728 | 690810 | Screw (Heat Shield) |
| 298 | 691808 | Locknut-Muffler/Elbow | | 690281 | Elbow-Exhaust | 823 | 691108 | Screw (Muffler Adapter) |
| 300 | 299477 | Muffler | | | Used on Type No(s). 1141, 1151, 2580. | 834 | 691075 | Washer (Muffler Adapter) |
| 300A | 498984 | Muffler (Super Lo Tone) | | 91415 | Elbow-Exhaust | 864 | 394584 | Adapter-Muffler |
| 300B | 399635 | Muffler | | | Used on Type No(s). 0771, 0776, 1149. | 864A | 690637 | Adapter-Muffler |
| 300C | 291519 | Muffler | 346 | 690661 | Screw (Spark Arrestor) | 883 | ★692236 | Gasket-Exhaust |
| 301 | 91416 | Pipe-Exhaust | 613 | 691416 | Screw (Muffler) | 944 | 691690 | Stud (Muffler Adapter) |
| | | | 676 | 393761 | Deflector-Muffler | 994 | 392390 | Arrestor-Spark |
| | | | 677 | 690661 | Screw (Muffler Deflector) | | | |

★ Engine Gasket Set - Reference 358

● Carburetor Overhaul Kit - Reference 121

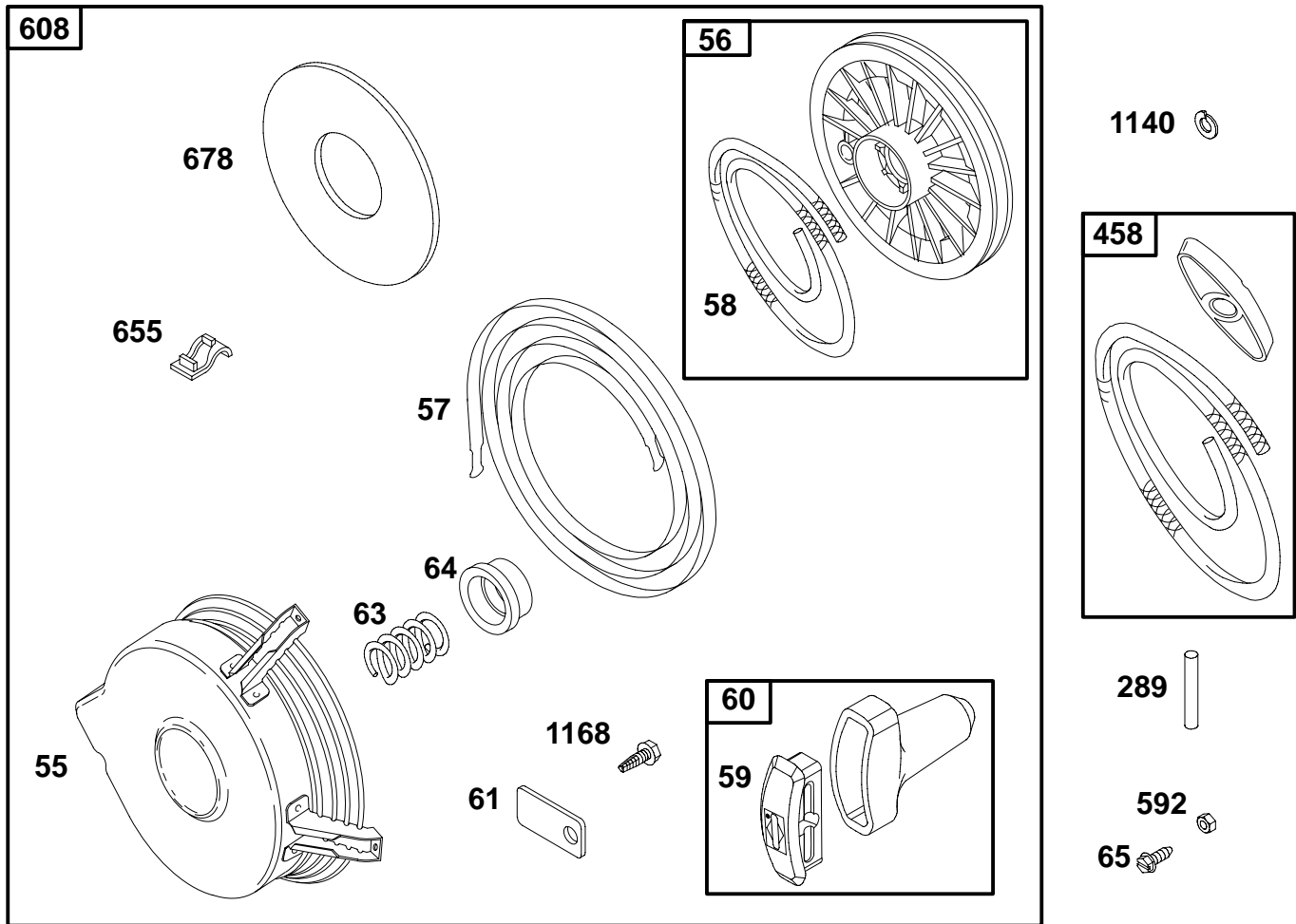
243400



| REF. NO. | PART NO. | DESCRIPTION | REF. NO. | PART NO. | DESCRIPTION | REF. NO. | PART NO. | DESCRIPTION |
|--|----------|-----------------|----------|----------|----------------------------|----------|----------|--|
| 23 | 395250 | Flywheel | 74 | 691655 | Screw (Rotating Screen) | 440 | 691076 | Screw (Booster Fan) |
| 23A | 395269 | Flywheel | 321 | 691151 | Fan-Booster | 726 | 391362 | Gear-Ring (Includes Mounting Hardware) |
| 73 | 690628 | Screen-Rotating | 331 | 691075 | Washer (Booster Fan) | 773 | 690265 | Retainer (Flywheel) |
| 73A | 691171 | Screen-Rotating | 332 | 691059 | Nut (Flywheel) | 1044 | 691058 | Screw (Flywheel) |
| <p>----- Note ----- 690404 Screen-Rotating Used on Type No(s). 0627, 0630, 0665, 0709, 2580.</p> | | | 363 | 19203 | Puller-Flywheel | | | |

★ Engine Gasket Set – Reference 358

● Carburetor Overhaul Kit – Reference 121

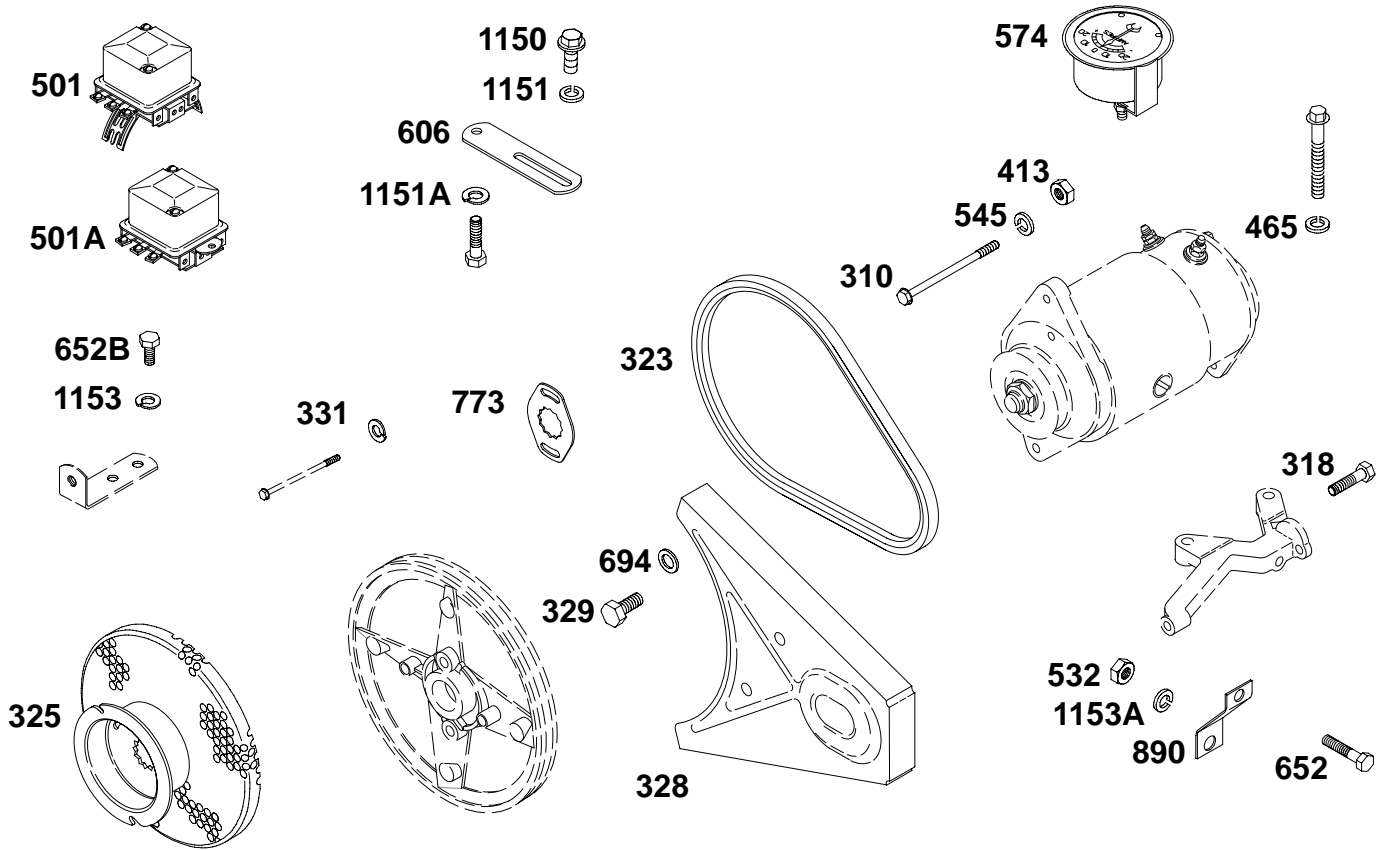


| REF. NO. | PART NO. | DESCRIPTION | REF. NO. | PART NO. | DESCRIPTION | REF. NO. | PART NO. | DESCRIPTION |
|----------|----------|--|----------|----------|---|----------|----------|-------------------------------------|
| 55 | 691355 | Housing-Rewind Starter | 59 | 490653 | Insert-Grip | 65 | 691044 | Screw (Rewind Starter) |
| 56 | 392630 | Pulley-Starter (Includes 63" Rope) | 60 | 490652 | Grip-Starter Rope | 289 | 230228 | Pin-Starter Grip |
| 57 | 490179 | Spring-Rewind Starter | 61 | 68848 | Bumper-Starter Pulley | 458 | 69932 | Kit-Handle/Rope (55 1/2" Rope) |
| 58 | 692188 | Rope-Starter (63" Long) (Use With Plastic Pulley) | 63 | 690547 | Spring-Ratchet | 592 | 230796 | Nut (Rewind Starter) |
| | | 695002 Rope-Starter (99" Long) (Cut To Required Length) | 64 | 691920 | Adapter-Ratchet Spring | 608 | 691958 | Starter-Rewind |
| | | ----- Note ----- | | | 690511 Adapter-Ratchet Spring Used on Type No(s). 0561, 0624, 0733, 0734, 0735, 0736, 0737, 0738, 0739, 0744, 0746, 0749, 0754, 0757, 0761, 0762, 0766, 0768, 0770, 0797, 0801, 1131, 1136, 1139, 1141, 1145, 1146, 1151, 1154, 1156, 1159, 1160, 1164, 2541, 2561. | 655 | 221014 | Anchor-Rewind Spring |
| | | 66564 Rope-Starter (63" Long) (Use With Metal Pulley) | | | | 678 | 490817 | Spacer-Rewind |
| | | 66574 Rope-Starter (99" Long) (Cut to Required Length) | | | | 1140 | 690286 | Washer (Rewind Starter) |
| | | | | | | 1168 | 93254 | Screw (Starter Pulley Bumper) |

★ Engine Gasket Set - Reference 358

● Carburetor Overhaul Kit - Reference 121

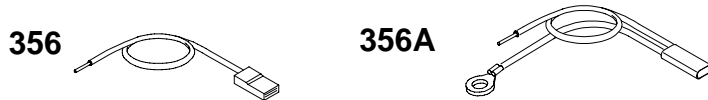
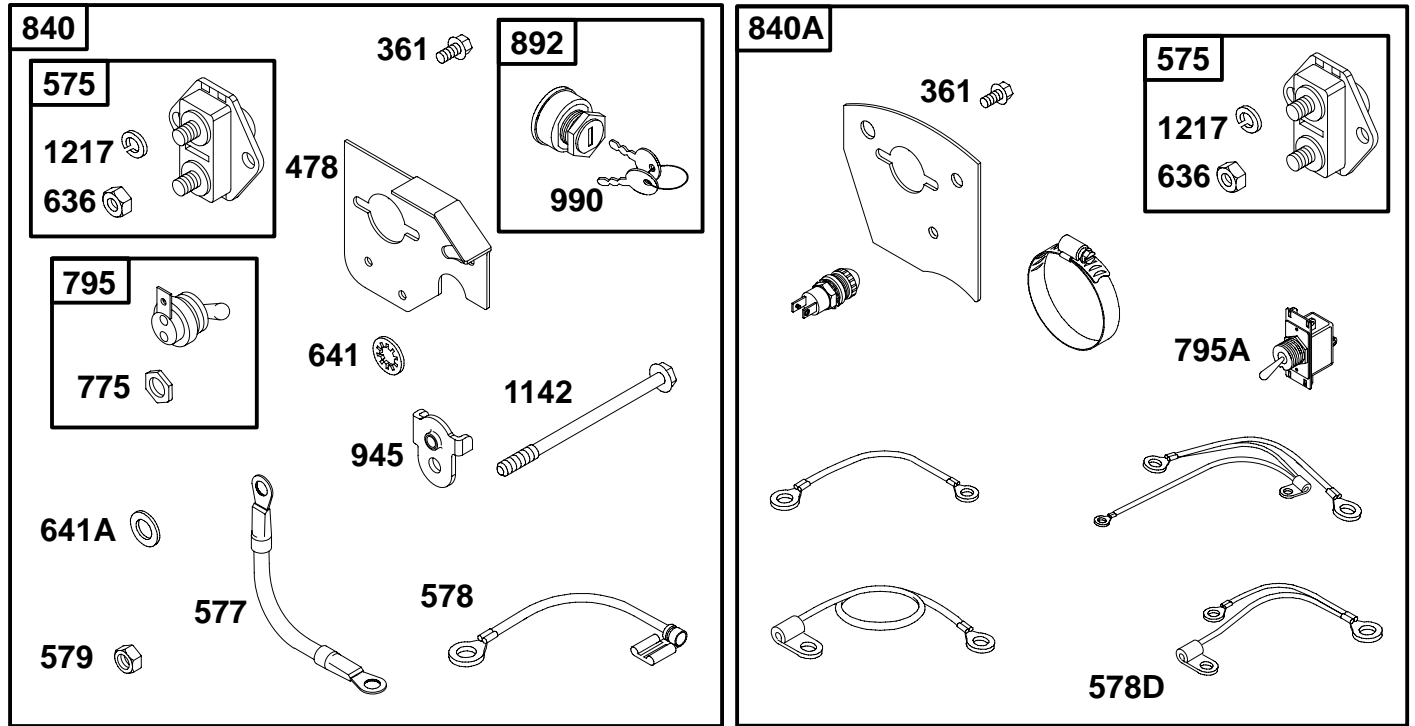
243400



| REF. NO. | PART NO. | DESCRIPTION | REF. NO. | PART NO. | DESCRIPTION | REF. NO. | PART NO. | DESCRIPTION |
|----------|----------|---|----------|----------|---|----------|----------|-----------------------------|
| 310 | 691614 | Bolt (Starter Motor) | 325 | 299308 | Pulley-Rope Starter | 606 | 221442 | Strap-Adjusting |
| 318 | 690303 | Screw (Mounting Bracket) | 328 | 221531 | Guard-Belt | 652 | 693972 | Screw (Support Bracket) |
| 323 | 68878 | Belt-Vee (High Position Mount) (36 3/4" Length) Used on Type No(s). 0118, 0147, 0159, 0186, 0618. ----- Note ----- 68898 Belt-Vee (Low Position Mount) (35 3/4" Length) Used on Type No(s). 0656, 0722. 280032 Belt-Vee (High Position Mount) Used on Type No(s). 0148, 0193. | 329 | 692198 | Screw (Belt Guard) | 652B | 91468 | Screw (Support Bracket) |
| | | | 331 | 691075 | Washer (Booster Fan) | 694 | 220863 | Washer (Belt Guard) |
| | | | 413 | 691105 | Nut (Starter Motor) | 773 | 690265 | Retainer |
| | | | 465 | 92268 | Washer (Mounting Bracket) | 890 | 221472 | Bracket-Support |
| | | | 501 | 297196 | Regulator (Delco Remy Number 1119577) | 1150 | 691058 | Screw (Adjusting Strap) |
| | | | 501A | 295924 | Regulator (Delco Remy Number 1118988) | 1151 | 690282 | Washer (Adjusting Strap) |
| | | | 532 | 691105 | Nut (Mounting Bracket) | 1151A | 691075 | Washer (Adjusting Strap) |
| | | | 545 | 691075 | Washer Set (Starter Motor) | 1153 | 90832 | Washer (Support Bracket) |
| | | | 574 | 295158 | Ammeter (Stewart Warner Number 357-W) | 1153A | 691075 | Washer (Support Bracket) |

★ Engine Gasket Set - Reference 358

● Carburetor Overhaul Kit - Reference 121

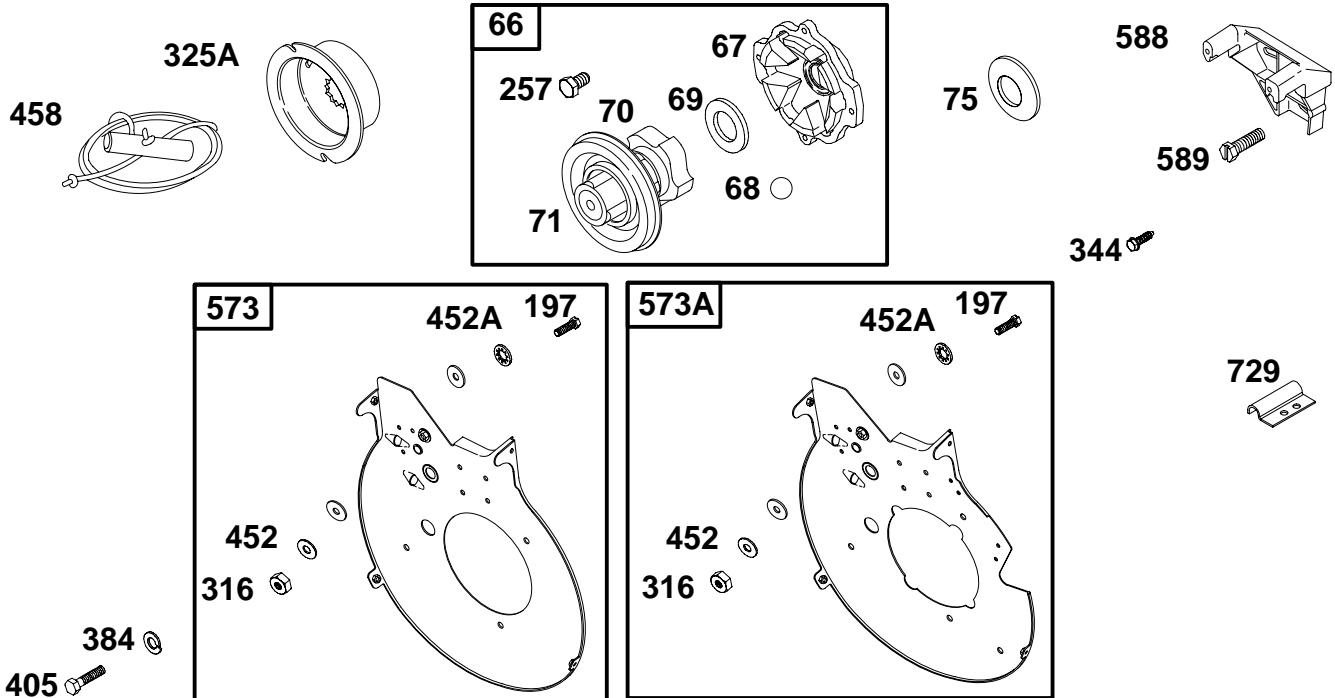


| REF. NO. | PART NO. | DESCRIPTION | REF. NO. | PART NO. | DESCRIPTION | REF. NO. | PART NO. | DESCRIPTION |
|----------|----------|-------------------------|----------|----------|---|----------|----------|--|
| 356 | 692390 | Wire-Stop | 641A | 690282 | Washer (Starting Switch) | 945 | 692132 | Bracket-Starter Motor |
| 356A | 398808 | Wire-Stop | 775 | 690315 | Nut (Toggle Switch) | 990 | 691959 | Key Set (Used Before Code Date 81102100). |
| 361 | 691681 | Screw (Starting Switch) | 795 | 496590 | Switch-Toggle | 1142 | 692329 | Screw (Starter Motor Bracket) (5 3/8" Housing Length) |
| 478 | 395410 | Panel | 795A | 298590 | Switch-Toggle | | | |
| 575 | 692303 | Switch-Starting | 840 | 395408 | Kit-Panel (Toggle Switch) | | | |
| 577 | 690630 | Cable-Starter | | | ----- Note ----- | | | ----- Note ----- |
| 578 | 690647 | Wire Assembly | | | 395409 Kit-Panel (Key Switch) (Used Before Code Date 81102100). | | | 690323 Screw (Starter Motor Bracket) (4 1/2" Housing Length) |
| 578D | 298582 | Wire Assembly | 840A | 298561 | Kit-Panel | 1217 | 691075 | Washer (Starting Switch) |
| 579 | 691029 | Nut (Starter Cable) | 892 | 392833 | Switch-Key | | | |

★ Engine Gasket Set - Reference 358

● Carburetor Overhaul Kit - Reference 121

243400

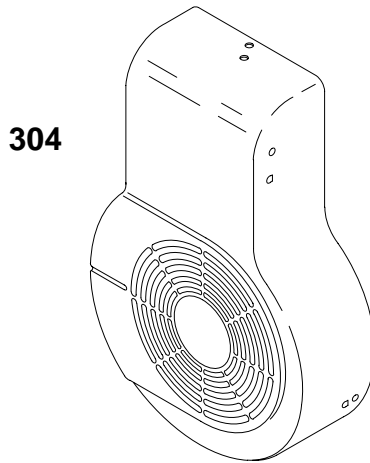


| REF. NO. | PART NO. | DESCRIPTION | REF. NO. | PART NO. | DESCRIPTION | REF. NO. | PART NO. | DESCRIPTION |
|----------|----------|--|----------|----------|--|----------|----------|--|
| 66 | 399671 | Clutch-Starter ----- Note ----- 393127 Clutch-Starter Used on Type No(s). 0561, 0624, 0733, 0734, 0735, 0736, 0737, 0738, 0739, 0744, 0746, 0749, 0754, 0757, 0761, 0762, 0766, 0768, 0770, 0797, 0801, 1131, 1136, 1139, 1141, 1145, 1146, 1151, 1154, 1156, 1159, 1160, 1164, 2541, 2561. | 67 | 394897 | Housing-Clutch ----- Note ----- 690542 Housing-Clutch Used on Type No(s). 0561, 0624, 0733, 0734, 0735, 0736, 0737, 0738, 0739, 0744, 0746, 0749, 0754, 0757, 0761, 0762, 0766, 0768, 0770, 0797, 0801, 1131, 1136, 1139, 1141, 1145, 1146, 1151, 1154, 1156, 1159, 1160, 1164, 2541, 2561. | 257 | 691078 | Screw (Starter Clutch) |
| | | | 68 | 691604 | Ball-Clutch | 316 | 691612 | Nut (Back Plate) |
| | | | 69 | 690271 | Washer (Starter Clutch) | 325A | 690261 | Pulley-Rope Starter |
| | | | 70 | 691945 | Ratchet-Clutch | 344 | 93410 | Screw (Cable Clamp) |
| | | | 71 | 691359 | Cover-Ratchet | 384 | 90832 | Washer (Back Plate) |
| | | | 75 | 691056 | Washer (Flywheel) | 405 | 690290 | Screw (Back Plate) |
| | | | 197 | 90072 | Screw (Back Plate) | 452A | 26404 | Washer (Back Plate) |
| | | | | | | 452B | 92864 | Washer (Back Plate) |
| | | | | | | 458 | 69932 | Kit-Handle/Rope (55 1/2" Rope) |
| | | | | | | 573 | 298159 | Plate-Back |
| | | | | | | 573A | 394168 | Plate-Back (Used on Engines With Electric Start Only) |
| | | | | | | 588 | 690375 | Bracket-Armature |
| | | | | | | 589 | 690300 | Screw (Armature Bracket) |
| | | | | | | 729 | 690432 | Clip-Wire |

★ Engine Gasket Set - Reference 358

● Carburetor Overhaul Kit - Reference 121

1019 LABEL KIT

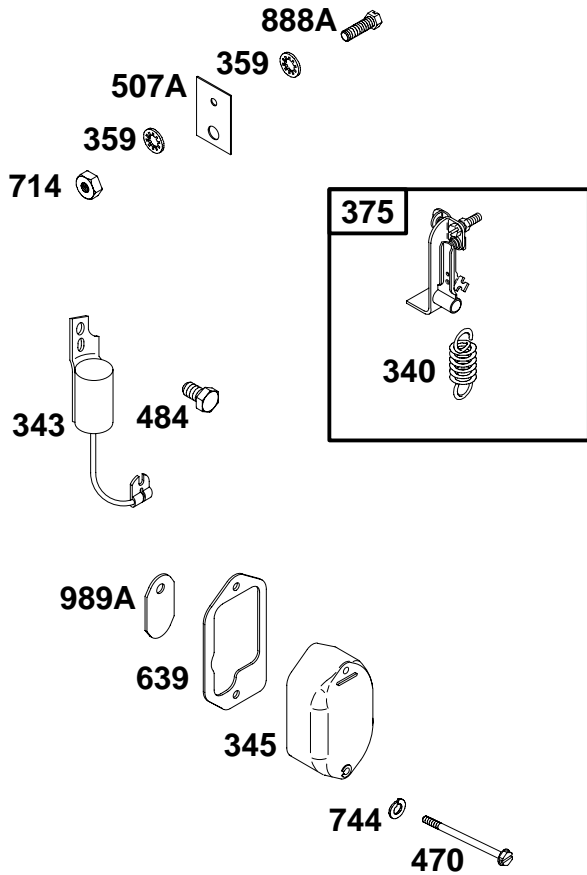


| REF. NO. | PART NO. | DESCRIPTION | REF. NO. | PART NO. | DESCRIPTION | REF. NO. | PART NO. | DESCRIPTION |
|----------|----------|---|----------|----------|--|----------|----------|--|
| 304 | 291407 | Housing-Blower ----- Note ----- 294698 Housing-Blower Used on Type No(s). 0118, 0121, 0123, 0124, 0140, 0147, 0148, 0149, 0159, 0176, 0178, 0184, 0186, 0189, 0192, 0193, 0200, 0618, 0626, 0627, 0630, 0639, 0642, 0648, 0649, 0655, 0665, 0692, 0700, 0709, 0773, 0800, 1150, 1162, 1163, 2580. 297010 Housing-Blower (Rewind Starter) Used on Type No(s). 0560, 0619, 0622, 0661, 0666, 0677, 0678, 0685, 0688, 0690, 0693, 0699, 0704, 0715, 0718, 0720. | | | 297453 Housing-Blower Used on Type No(s). 0023, 0129, 0132, 0135, 0137, 0146, 0160, 0163, 0164, 0183, 0194, 0199, 0523, 0527, 0632, 0637, 0640, 0652, 0653, 0656, 0662, 0670, 0676, 0680, 0682, 0683, 0695, 0703, 0712, 0716, 0722, 0750, 0760. 297766 Housing-Blower Used on Type No(s). 0020, 0195, 0197, 0524, 0644, 0651, 0657, 0673, 0684, 0689, 0696, 0707, 0764, 2524. | | | 391229 Housing-Blower (Electric Start) Used on Type No(s). 0528, 0614, 0621, 0772, 0774, 0775, 0783, 1147, 1148, 1153, 1155, 1167, 2528, 2529, 2530, 2550. 392343 Housing-Blower Used on Type No(s). 0561, 0624, 0733, 0734, 0735, 0736, 0737, 0738, 0739, 0740, 0744, 0746, 0749, 0754, 0757, 0761, 0762, 0766, 0768, 0770, 0777, 0780, 0786, 0791, 0794, 0801, 1131, 1136, 1139, 1141, 1145, 1146, 1151, 1154, 1156, 1159, 1160, 1164, 2541, 2561. |
| | 305 | 692198 | | | Screw (Blower-Housing) | | | |
| | 895 | 692309 | | | Switch-Rotary | | | |
| | 1019 | 491256 | | | Kit-Label | | | |

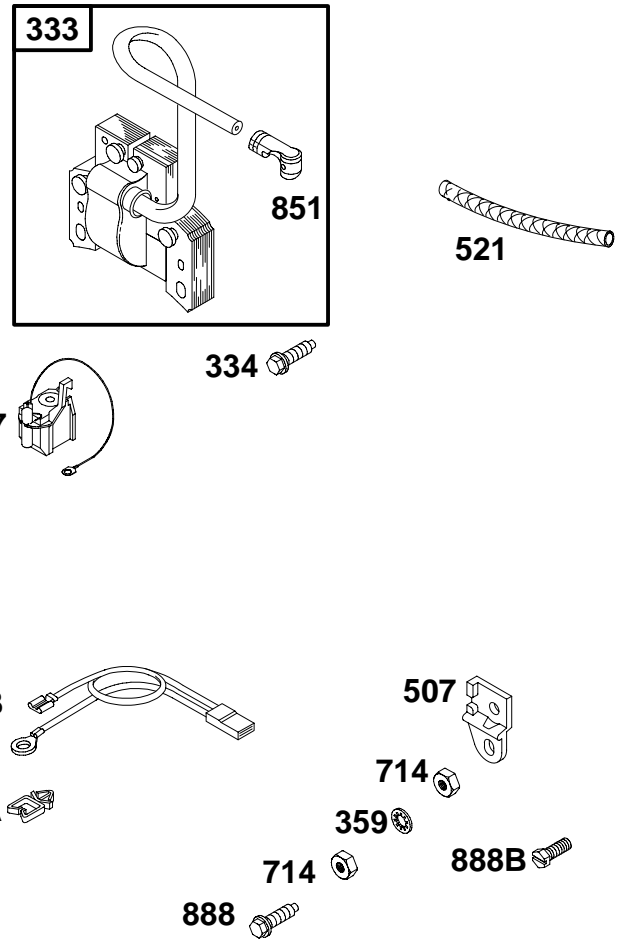
★ Engine Gasket Set – Reference 358

● Carburetor Overhaul Kit – Reference 121

243400



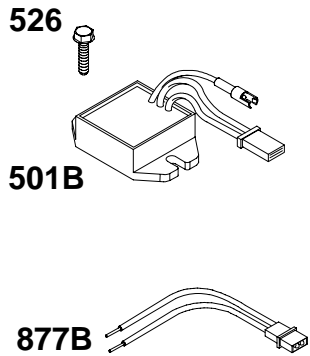
USED BEFORE CODE NO. 81080100.



| REF. NO. | PART NO. | DESCRIPTION | REF. NO. | PART NO. | DESCRIPTION | REF. NO. | PART NO. | DESCRIPTION |
|----------|----------|--|----------|----------|---|----------|----------|----------------------------|
| 333 | 398811 | Armature-Magneto (Used After Code Date 81073100). ----- Note ----- 298968 Armature-Magnetor (Used Before Code Date 81080100). | 470 | 692836 | Screw (Breaker Cover) | 714 | 691612 | Nut (Stop Wire) |
| 340 | 26018 | Spring-Breaker Arm | 484 | 690295 | Screw (Condenser) | 729A | 690588 | Clip-Wire |
| 343 | 298060 | Condenser | 507 | 690584 | Insulator | 744 | 690277 | Washer (Breaker Cover) |
| 345 | 211327 | Cover-Breaker | 507A | 66895 | Insulator ----- Note ----- 299598 Insulator Used on Type No(s). 0168, 0175, 0179, 0628, 0629. | 851 | 493880 | Terminal-Spark Plug |
| 356B | 690650 | Wire-Stop | 521 | 291508 | Shield-Cable | 888 | 690292 | Screw (Insulator) |
| 359 | 691077 | Washer (Ground Terminal) | 639 | ★692913 | Gasket-Breaker Box | 888A | 90200 | Screw (Insulator) |
| 375 | 298185 | Breaker-Ignition | | | | 888B | 690295 | Screw (Insulator) |
| | | | | | | 897 | 394970 | Kit-MAGNETRON® Ignition |
| | | | | | | 989A | 221976 | Stop Switch-Spark Plug |

★ Engine Gasket Set - Reference 358

● Carburetor Overhaul Kit - Reference 121



| DC ONLY | AC ONLY | DUAL CIRCUIT | 10/16 AMP |
|---|--|---|---|
| 474 877 1059 | 474A 877 1059 | 474B 877A 1059 | 474C 877A 1059 |
| 578A | 578B | 878A | |

NOTE: ALL OLD STYLE STATORS USE
REFERENCE NUMBER 1119 MOUNTING SCREW

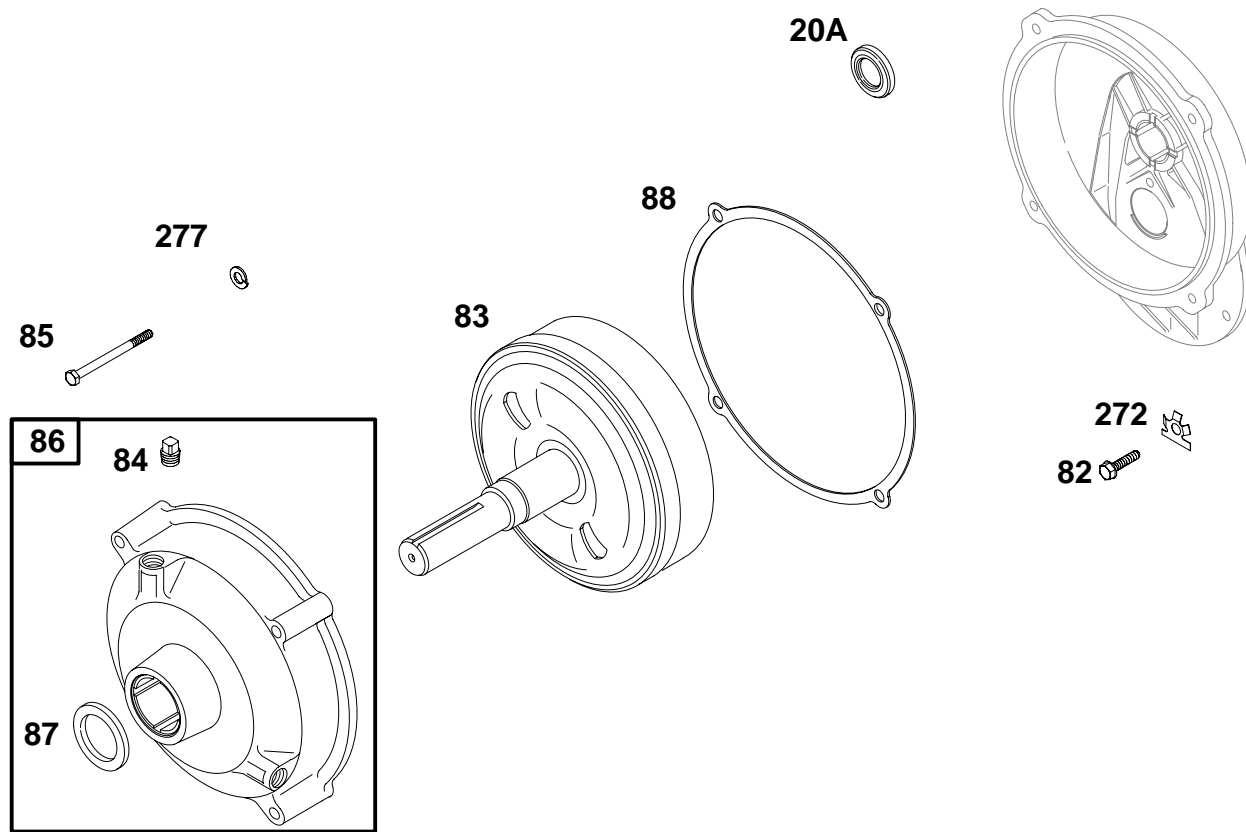


| REF. NO. | PART NO. | DESCRIPTION | REF. NO. | PART NO. | DESCRIPTION | REF. NO. | PART NO. | DESCRIPTION |
|-------------|---------------|---------------------------|-------------|---------------|--|-------------|---------------|-------------------------------|
| 474 | 696578 | Alternator (DC Only) | 501B | 691185 | Regulator | 1059 | 698516 | Kit-Screw/Washer (Alternator) |
| 474A | 391595 | Alternator (AC Only) | 526 | 690297 | Screw (Regulator) | 1119 | 691183 | Screw (Alternator) |
| 474B | 696459 | Alternator (Dual Circuit) | 578A | 692306 | Wire Assembly | | | |
| 474C | 696458 | Alternator (10/16 Amp) | 578B | 390867 | Wire Assembly | | | |
| | | | 877 | 393814 | Wire/Connector-Alternator (DC Only) | | | |
| | | | 877A | 393456 | Wire/Connector-Alternator (Dual Circuit) | | | |
| | | | 877B | 399916 | Wire/Connector-Alternator (Tri-Circuit) | | | |
| | | | 878A | 691237 | Harness-Alternator | | | |

★ Engine Gasket Set – Reference 358

● Carburetor Overhaul Kit – Reference 121

243400

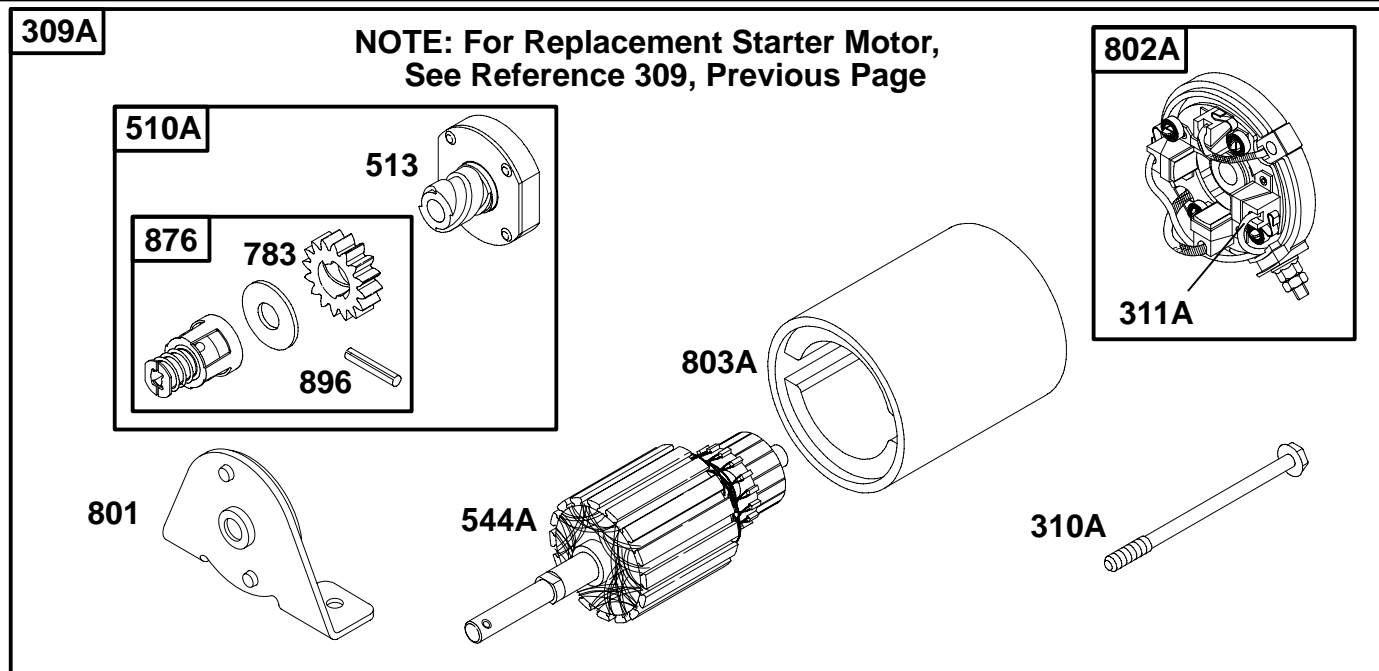


| REF. NO. | PART NO. | DESCRIPTION | REF. NO. | PART NO. | DESCRIPTION | REF. NO. | PART NO. | DESCRIPTION |
|----------|----------|--------------------------------|----------|----------|---|----------|----------|--|
| 20A | ★299819 | Seal-Oil (PTO Side) | 85 | 691076 | Screw (Gear Cover To Gear Reduction Case) | 272 | 690391 | Lock-Screw Head (Gear Reduction Case) |
| 82 | 691058 | Screw (Gear Reduction Case) | 86 | 690606 | Cover-Gear | 277 | 691075 | Washer (Gear Case To Gear Reduction) |
| 83 | 690387 | Shaft-Auxiliary Drive | 87 | ★391086 | Seal-Gear Reduction | | | |
| 84 | 690283 | Plug-Breather | 88 | 691601 | Gasket-Gear Reduction Cover | | | |

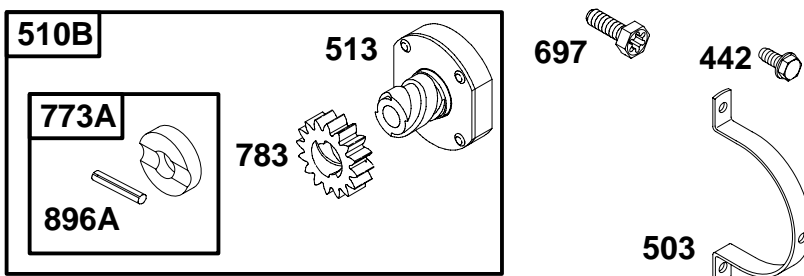
★ Engine Gasket Set – Reference 358

● Carburetor Overhaul Kit – Reference 121

243400



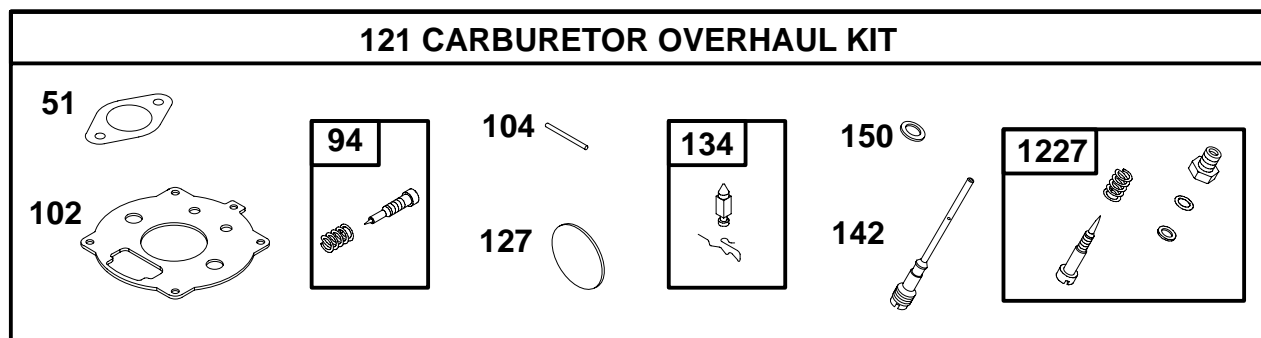
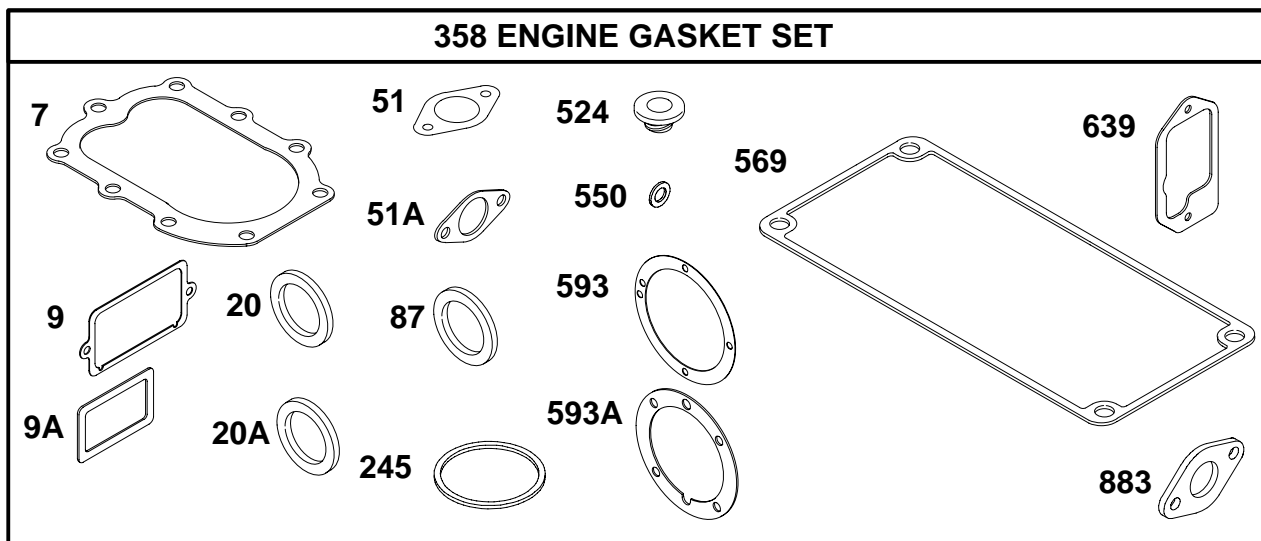
NOTE: For Replacement Starter Motor, See Reference 309, Previous Page



| REF. NO. | PART NO. | DESCRIPTION | REF. NO. | PART NO. | DESCRIPTION | REF. NO. | PART NO. | DESCRIPTION |
|-------------|---------------|--|-------------|---------------|--|-------------|---------------|---|
| 309A | | Motor-Starter (For Replacement Starter Motor, See Reference 309, Previous Page) | 442 | 691693 | Screw (Starter Strap) | 773A | 391462 | Retainer |
| 310A | 692329 | Bolt (Starter Motor) (5 3/8" Housing Length) | 503 | 690406 | Strap-Starter | 783 | 695708 | Gear-Pinion |
| 311A | 395538 | Brush Set (4 3/8" Housing Length) | 510A | 696540 | Drive-Starter (4 3/8" Housing Length) | 801 | 394802 | Cap-Drive (4 3/8" Housing Length) |
| | | ----- Note ----- 391705 Brush Set (3 3/4" Housing Length) | 510B | 696535 | Drive-Starter (3 3/4" Housing Length) | | | ----- Note ----- 394859 Cap-Drive (3 3/4" Housing Length) |
| | | | 513 | 692024 | Clutch-Drive | 802A | 395537 | Cap-End |
| | | | 544A | 490309 | Armature-Starter | 803A | 494205 | Housing-Starter |
| | | | 697 | 691058 | Screw (Drive Cap) | 876 | 696539 | Kit-Pinion Spring |
| | | | | | | 896 | 691641 | Pin-Drive Retainer (Copper) |
| | | | | | | 896A | 94192 | Pin-Drive Retainer (Black) |

★ Engine Gasket Set - Reference 358

● Carburetor Overhaul Kit - Reference 121



| REF. NO. | PART NO. | DESCRIPTION | REF. NO. | PART NO. | DESCRIPTION | REF. NO. | PART NO. | DESCRIPTION |
|----------|----------|--|----------|----------|---|----------|----------|---|
| 7 | ★692230 | Gasket-Cylinder Head | 127 | ●690627 | Plug-Welch | 524 | ★281370 | Seal-Dipstick Tube |
| 9 | ★27803 | Gasket-Breather | 134 | ●394681 | Kit-Needle/Seat | 550 | ★22353 | Washer (Valve Cover) |
| 9A | ★66214 | Gasket-Breather | 142 | ●691966 | Nozzle-Carburetor (Standard) (Labeled B) (Used After Code Date 81101100). | 569 | ★691569 | Gasket-Engine Base |
| 20 | ★291675 | Seal-Oil (PTO Side) | | | | 593 | ★691311 | Gasket-Bearing Support (.015" Thick) |
| 20A | ★299819 | Seal-Oil (PTO Side) | | | | 593A | ★690268 | Gasket-Bearing Support (.015" Thick) |
| 51 | ★●692214 | Gasket-Intake | | | | | | ----- Note ----- |
| 51A | ★27381 | Gasket-Intake | | | | | | ●390950 Nozzle-Carburetor (Standard) (Labeled B) (#40 Jet) (Used Before Code Date 81101200). |
| 87 | ★391086 | Seal-Gear Reduction | | | | | | ★27374 Gasket-Bearing Support (.005" Thick) |
| 94 | ●292681 | Kit-Idle Mixture | | | | | | ★27375 Gasket-Bearing Support (.009" Thick) |
| 102 | ●692215 | Gasket-Carburetor Body | 150 | ●691610 | Gasket-Nozzle | 639 | ★692913 | Gasket-Breaker Box |
| 104 | ●691775 | Pin-Float Hinge | 245 | ★692190 | Gasket-Fuel Bowl | 883 | ★692236 | Gasket-Exhaust |
| 121 | 394989 | Kit-Carburetor Overhaul (Used After Code Date 81101100). | 358 | 299101 | Gasket Set-Engine | 1227 | ●99525 | Valve-High Speed |
| | | ----- Note ----- 391071 Kit-Carburetor Overhaul (Used Before Code Date 81101200). | | | | | | |

★ Engine Gasket Set - Reference 358

● Carburetor Overhaul Kit - Reference 121