



# Illustrated Parts List

## Model Series

# 21B900

TYPE NUMBERS  
0015 through 0190.

### TABLE OF CONTENTS

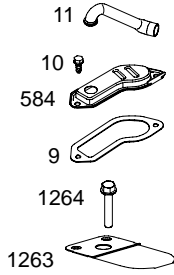
<b>Air Cleaner</b> .....	6
<b>Alternator</b> .....	8
<b>Blower Housing</b> .....	6
<b>Camshaft</b> .....	3
<b>Carburetor</b> .....	5
<b>Controls</b> .....	8
<b>Crankshaft</b> .....	3
<b>Cylinder</b> .....	2
<b>Cylinder Head</b> .....	4
<b>Electric Starter</b> .....	7
<b>Engine Sump</b> .....	2
<b>Fuel Supply</b> .....	8
<b>Gasket Set - Engine</b> .....	4
<b>Gasket Set - Valve</b> .....	4
<b>Governor Spring</b> .....	8
<b>Exhaust System</b> .....	6
<b>Ignition</b> .....	8
<b>Intake Manifold</b> .....	4
<b>Kit - Carburetor Overhaul</b> .....	5
<b>Lubrication</b> .....	3
<b>Piston, Rings, Connecting Rod</b> .....	3
<b>Rewind Starter</b> .....	7
<b>Valves</b> .....	4



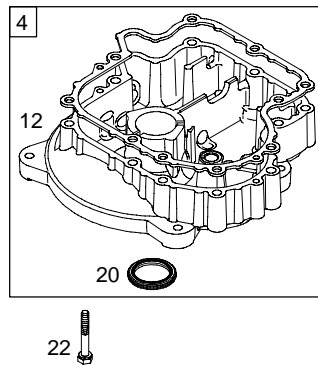
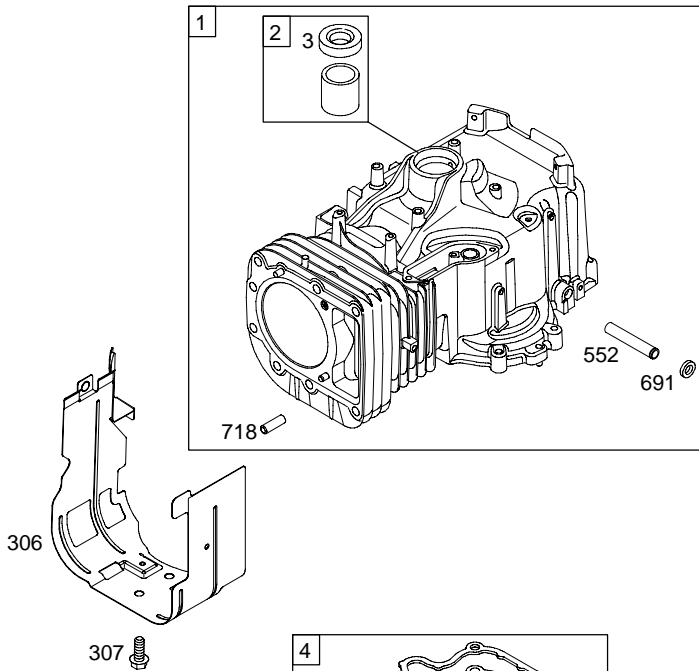
PRINTED IN U.S.A.

COPYRIGHT by BRIGGS & STRATTON CORPORATION  
All rights reserved. No part of this material may be reproduced or transmitted, in any form or by any means, electronic or mechanical, including photocopying, recording or by any information storage and retrieval system, without permission in writing from Briggs & Stratton Corporation.

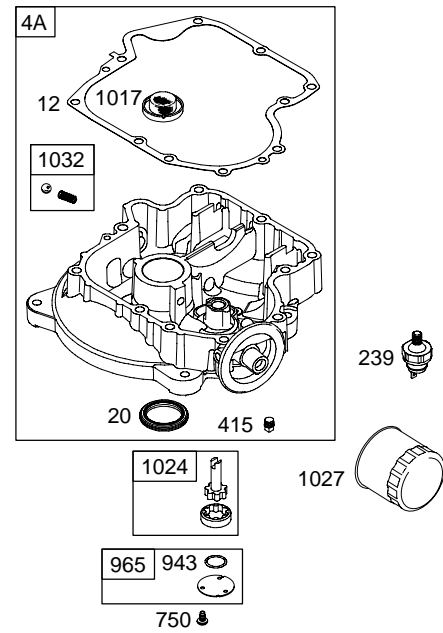
# 21B900



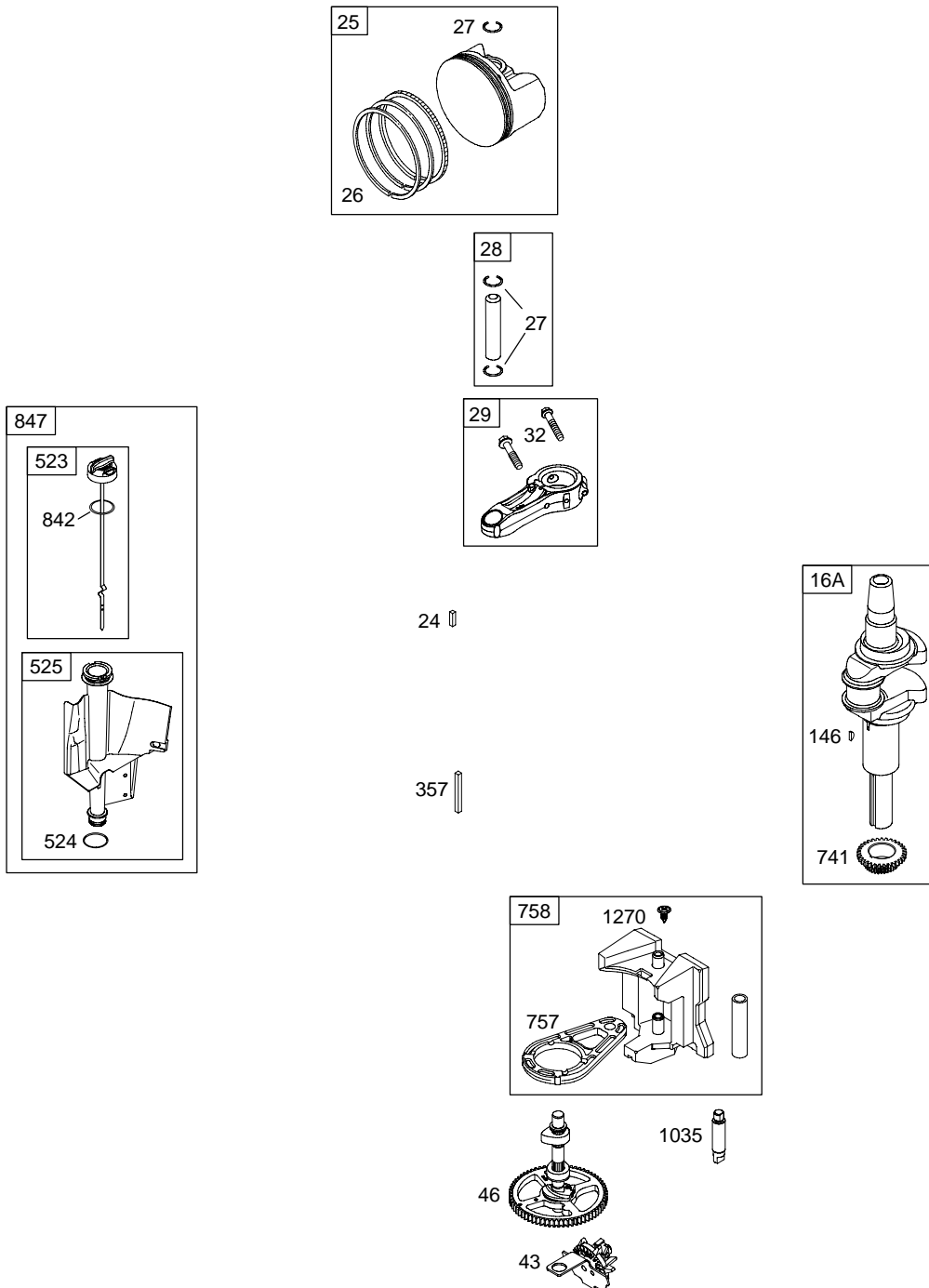
- 1019 LABEL KIT
- 1058 OWNER'S MANUAL
- 1330 REPAIR MANUAL



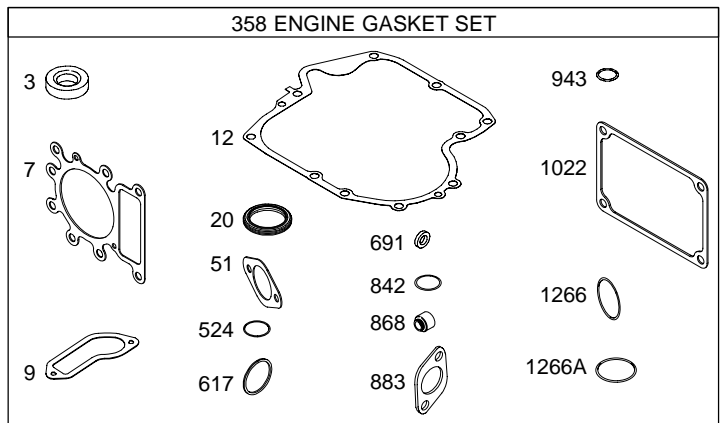
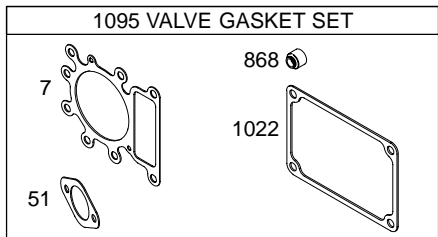
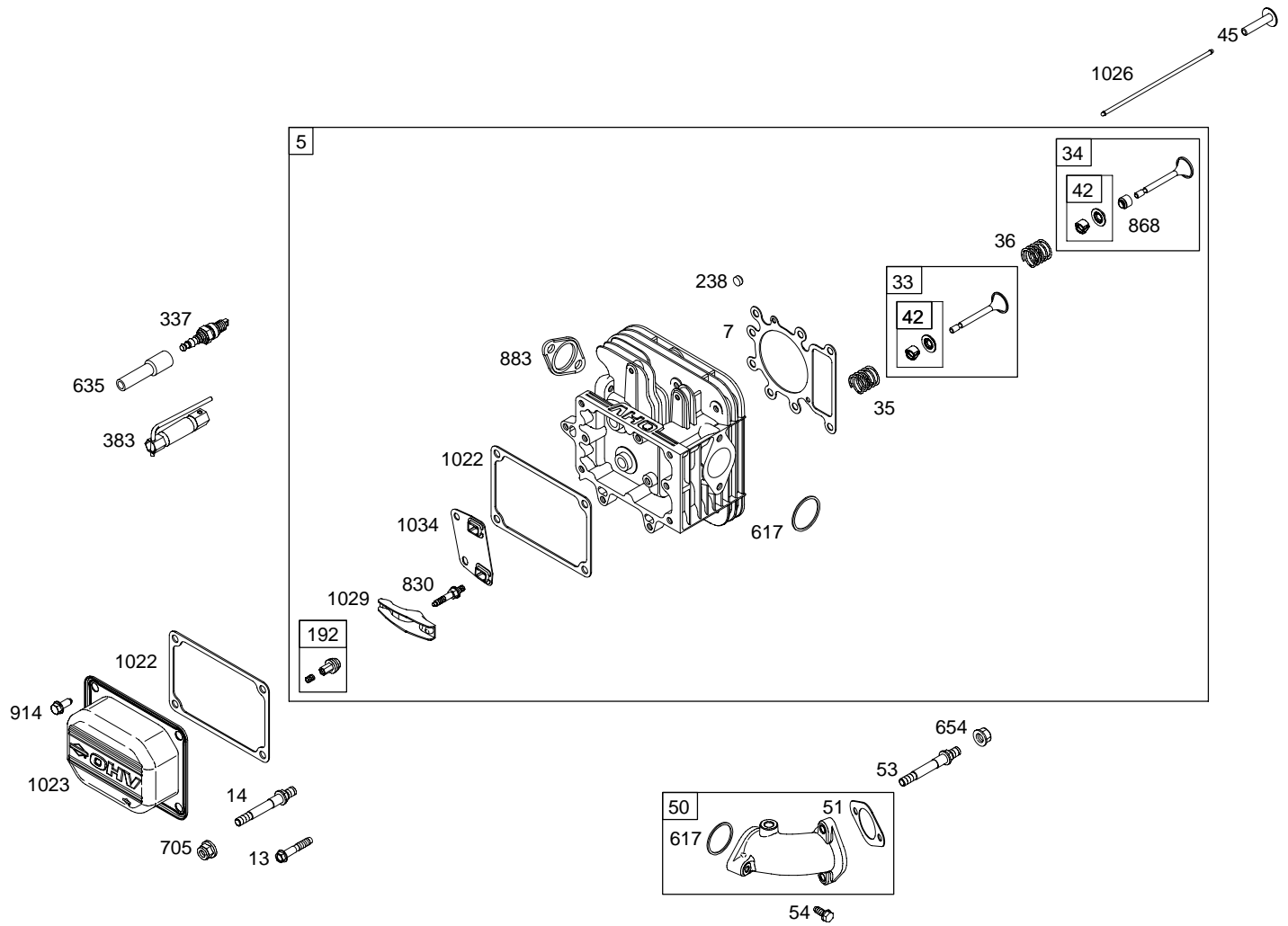
15



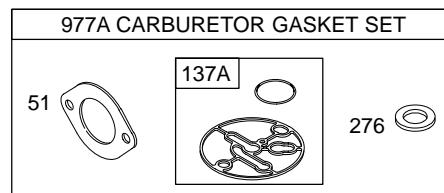
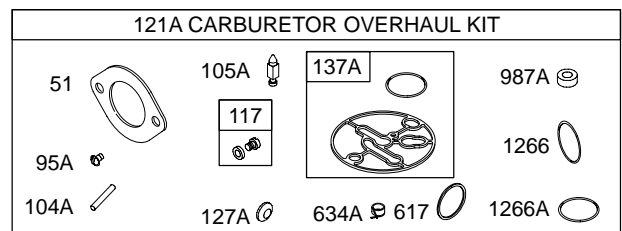
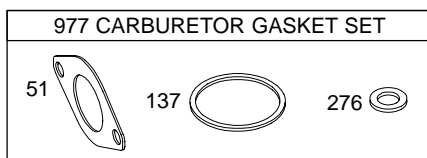
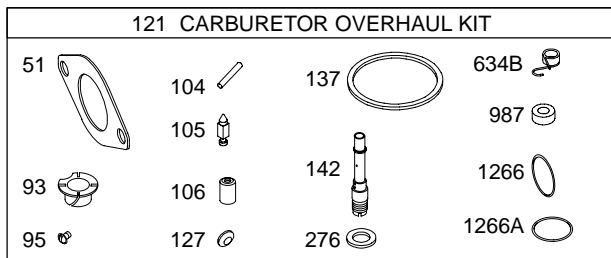
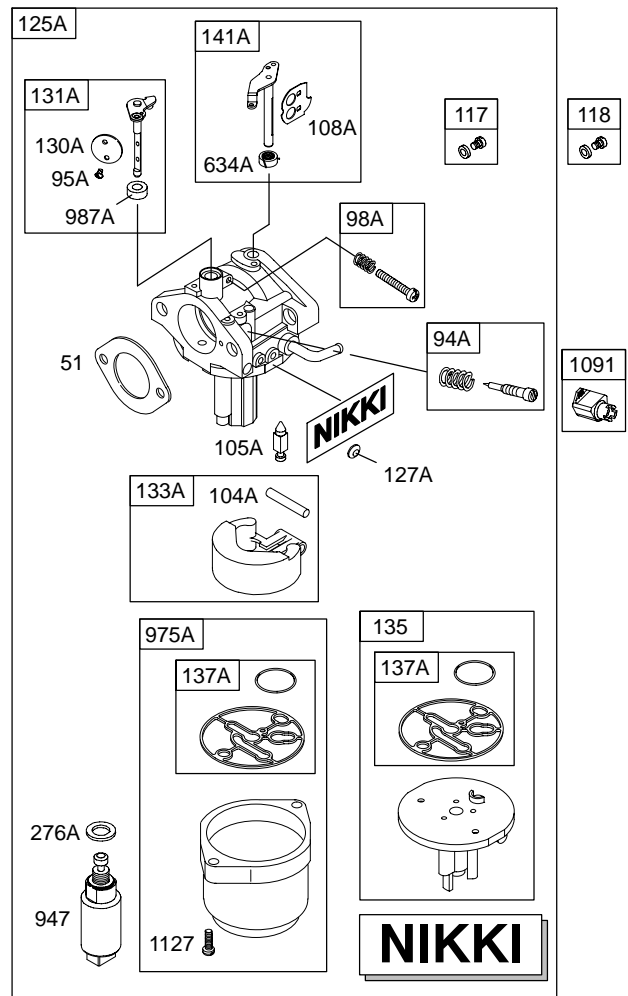
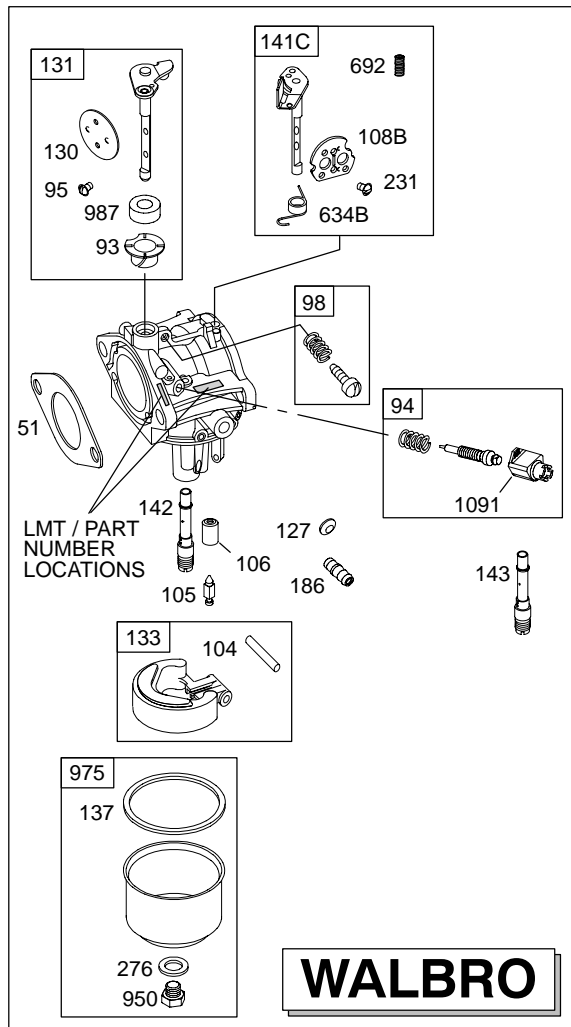
Illustrations cover a range of engines. Parts shown without corresponding text may not be used on your specific engine.  
5036-2 Assemblies include all parts shown in frames. 06/09/2005



# 21B900

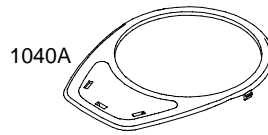
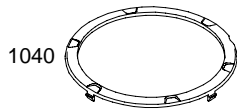


*Illustrations cover a range of engines. Parts shown without corresponding text may not be used on your specific engine.*  
**5036-4** Assemblies include all parts shown in frames. **06/09/2005**

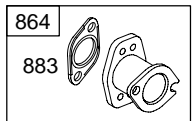
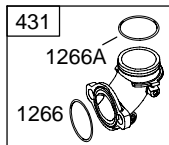
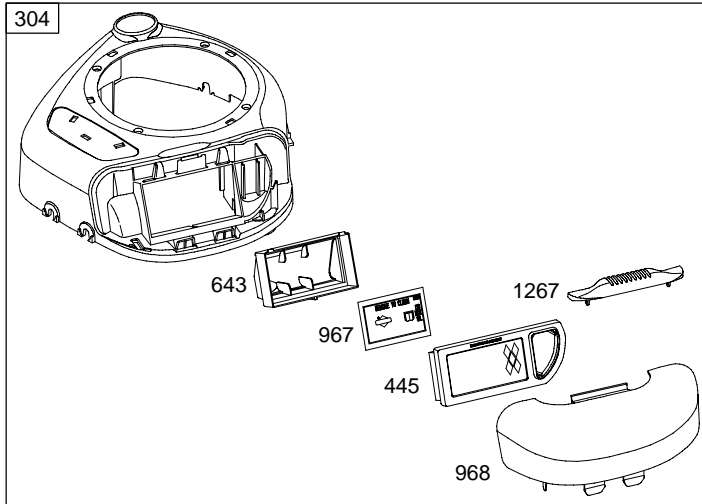


Illustrations cover a range of engines. Parts shown without corresponding text may not be used on your specific engine.  
 5036-5 Assemblies include all parts shown in frames. 06/09/2005

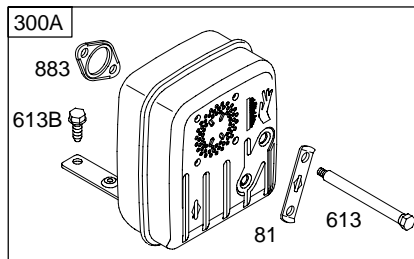
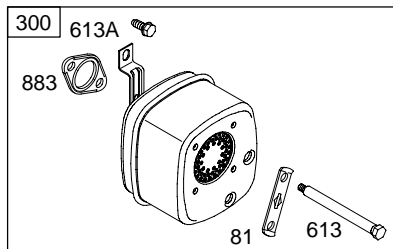
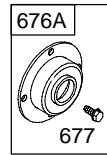
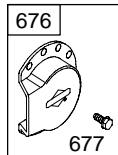
# 21B900



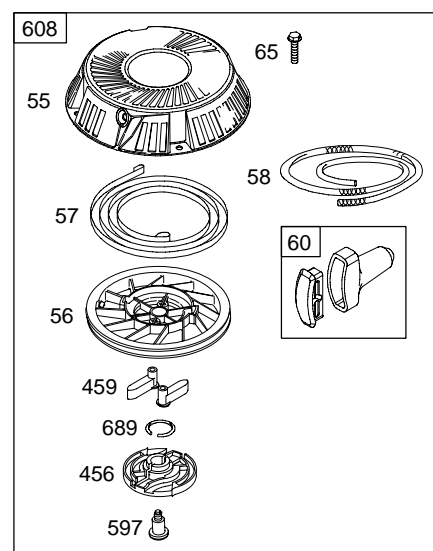
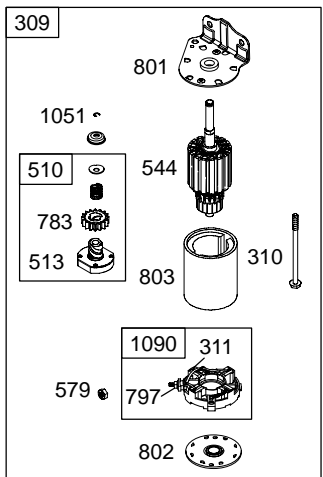
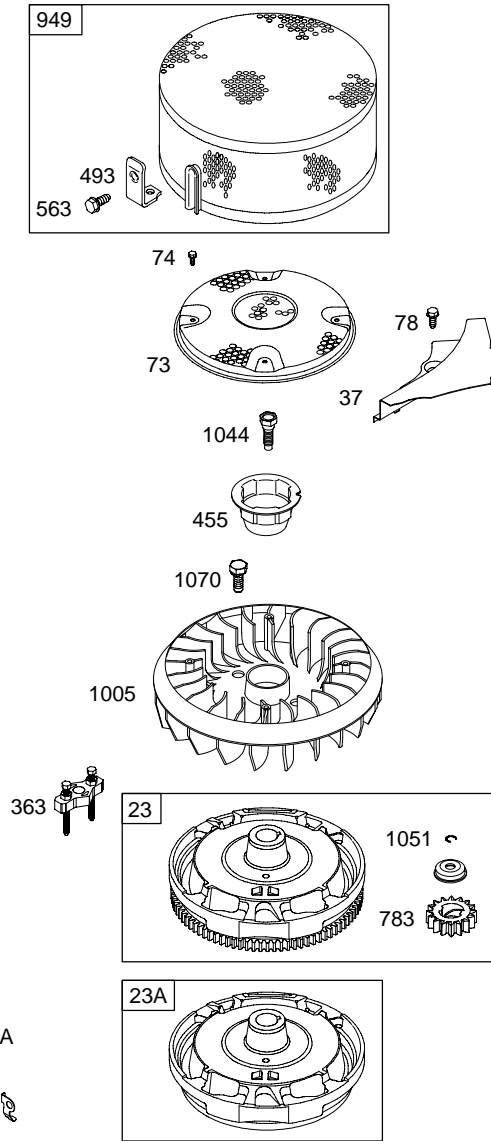
1036 EMISSION LABEL



823

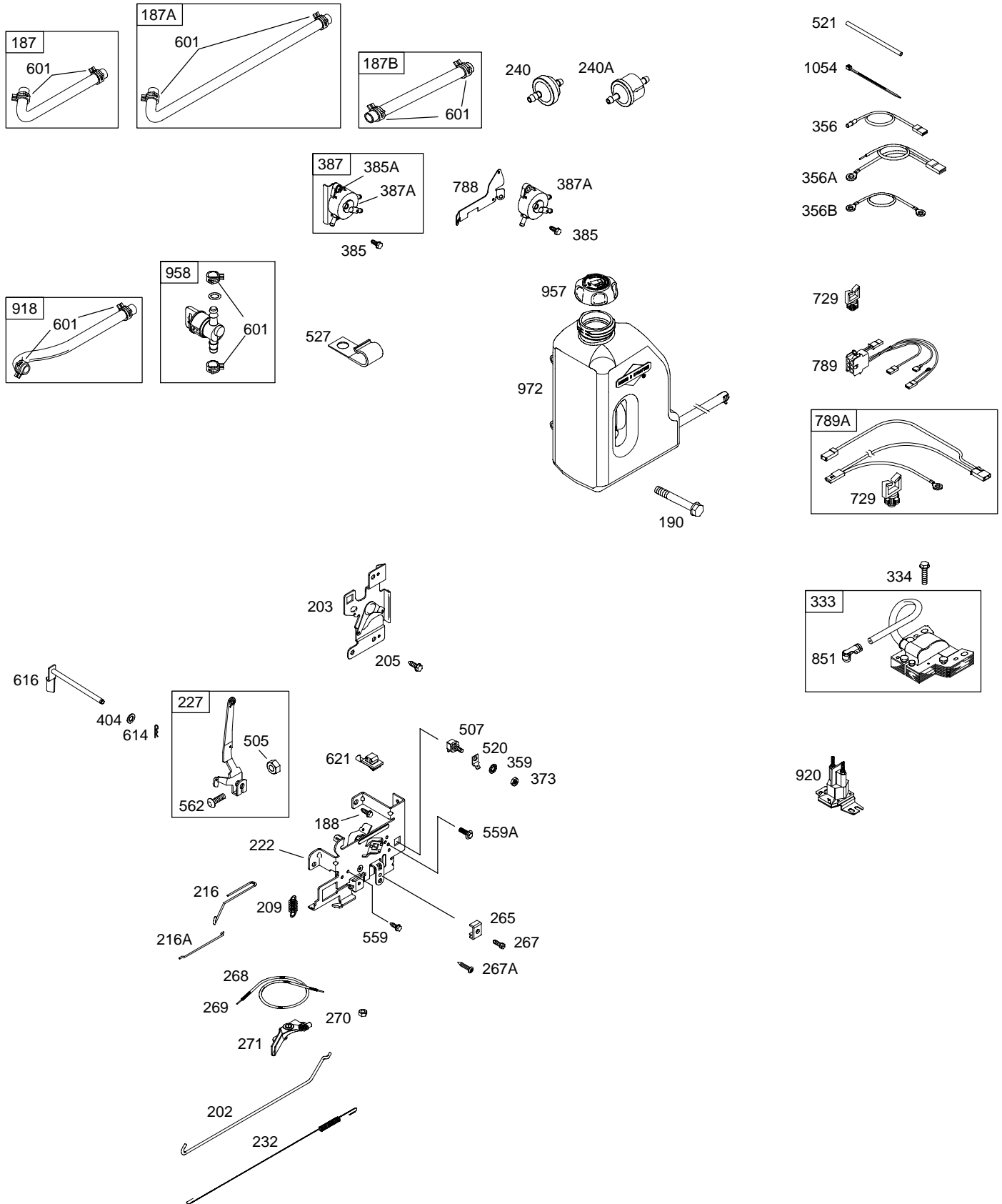


Illustrations cover a range of engines. Parts shown without corresponding text may not be used on your specific engine.  
 5036-6 Assemblies include all parts shown in frames. 06/09/2005



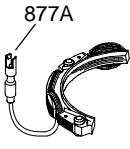
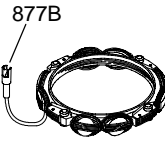

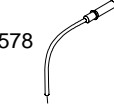
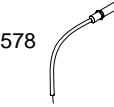






5036-7 *Illustrations cover a range of engines. Parts shown without corresponding text may not be used on your specific engine.* Assemblies include all parts shown in frames. 06/09/2005

# 21B900



Illustrations cover a range of engines. Parts shown without corresponding text may not be used on your specific engine.  
 5036-8 Assemblies include all parts shown in frames. 06/09/2005



DC ONLY	5 – 9 AMP	DUAL CIRCUIT
<p>474A</p>  <p>877A</p>	<p>474C</p>  <p>877B</p>	<p>474B</p>  <p>877</p>
<p>578</p> 	<p>578</p> 	<p>878</p> 
<p><b>NOTE:</b> All stators use a No. 1119 mounting screw. </p> <p><b>NOTE:</b> The proper flywheel part number and/or the alternator magnet size will determine the alternator type or output. See repair instruction manual for additional information.</p>		<p>526A </p> <p>501A </p> <p>526 </p> <p>501D </p>

526A 

729B 

## 21B900

REF. NO.	PART NO.	DESCRIPTION	REF. NO.	PART NO.	DESCRIPTION	REF. NO.	PART NO.	DESCRIPTION
1	697377	Cylinder Assembly	24	222698	Key-Flywheel	42	499586	Keeper-Valve
2	399265	Kit-Bushing/Seal (Magneto Side)	25	698371	Piston Assembly (Standard)	43	691968	Slinger-Governor/Oil
3	★391086	Seal-Oil (Magneto Side)			----- <b>Note</b> -----	45	690564	Tappet-Valve
4	697106	Sump-Engine			698372 Piston Assembly (.010" Oversize)	46	698492	Camshaft (Pressure Lube) Used on Type No(s). 0015, 0016, 0020, 0026, 0028, 0029, 0036, 0038, 0110, 0114, 0116, 0117, 0119, 0120, 0121, 0123, 0124, 0126, 0127, 0129, 0130, 0131, 0132, 0136, 0138, 0163, 0183, 0190.
4A	697188	Sump-Engine Used on Type No(s). 0016, 0036, 0114, 0116, 0117, 0119, 0120, 0123, 0124, 0126, 0127, 0129, 0130, 0136, 0138, 0141, 0142.	26	698375	Ring Set (Standard) ----- <b>Note</b> -----			----- <b>Note</b> -----
5	697396	Head-Cylinder			698376 Ring Set (.010" Oversize)			790400 Camshaft Used on Type No(s). 0139.
7	★Δ273280	Gasket-Cylinder Head			698377 Ring Set (.020" Oversize)			
9	★697109	Gasket-Breather			698378 Ring Set (.030" Oversize)	50	697361	Manifold-Intake
10	697157	Screw (Breather Assembly)	27	698469	Lock-Piston Pin (Pink) (Used After Code Date 02100300) ----- <b>Note</b> -----	51★♦♦Δ692137	692137	Gasket-Intake
11	697113	Tube-Breather			698138 Lock-Piston Pin (Green) (Used Before Code Date 02100400)	53	690227	Stud (Carburetor)
12	★697110	Gasket-Crankcase (.015" Thick) (Standard)			28 697099 Pin-Piston	54	691148	Screw (Intake Manifold)
13	690360	Screw (Cylinder Head)			29 697364 Rod-Connecting (Standard) ----- <b>Note</b> -----	55	695130	Housing-Rewind Starter
14	790560	Stud (Cylinder Head)			697262 Rod-Connecting (.020" Undersize)	56	695129	Pulley-Starter
15	690946	Plug-Oil Drain (3/8" Standard)			32 692852 Screw (Connecting Rod)	57	695131	Spring-Rewind Starter
16A	697390	Crankshaft			33 695760 Valve-Exhaust	58	695132	Rope-Starter
20	★690947	Seal-Oil (PTO Side)			34 695761 Valve-Intake	60	494212	Grip-Starter Rope
22	692125	Screw (Crankcase Cover/Sump)			35 691279 Spring-Valve (Intake)	65	697725	Screw (Rewind Starter)
23	698281	Flywheel ----- <b>Note</b> ----- 698282 Flywheel Used on Type No(s). 0020, 0110. 790922 Flywheel Used on Type No(s). 0105, 0131, 0132. 790924 Flywheel Used on Type No(s). 0122, 0123, 0130.			36 691279 Spring-Valve (Exhaust)	73	697133	Screen-Rotating (Used After Code Date 03031600) ----- <b>Note</b> -----
23A	698283	Flywheel (Rewind Starter) Used on Type No(s). 0015, 0016, 0116. ----- <b>Note</b> ----- 790920 Flywheel (Rewind Starter) Used on Type No(s). 0117.			37 697352 Guard-Flywheel			697384 Screen- Rotating (Used Before Code Date 03031700)
			37A	697626	Guard-Flywheel (Electric Start) Used on Type No(s). 0015, 0016, 0020, 0114, 0116, 0117, 0121.	74	697897	Screw (Rotating Screen)

★ Included in Engine Gasket Set-Ref. No.358.

● Included in Carburetor Overhaul Kit-Ref. No. 121 or 121A.

♦ Included in Carburetor Gasket Set-Ref. No. 977 or 977A.

Δ Included in Valve Gasket Set-Ref. No 1095.

**Illustrations cover a range of engines. Parts shown without corresponding text may not be used on your specific engine.**

5036-10

Assemblies include all parts shown in frames.

06/09/2005

**21B900**

REF. NO.	PART NO.	DESCRIPTION	REF. NO.	PART NO.	DESCRIPTION	REF. NO.	PART NO.	DESCRIPTION
78	691003	Screw (Flywheel Guard)	118	●699898	Jet–Main (High Altitude) (Nikki)	135	790030	Tube–Fuel Transfer Used on Type No(s). 0015, 0016, 0020, 0026, 0028, 0029, 0036, 0038, 0117, 0124, 0127, 0129, 0131, 0132.
78A	690364	Screw (Flywheel Guard) (Electric Start) Used on Type No(s). 0015, 0016, 0020, 0114, 0116, 0117, 0121.	121	790031	Kit–Carburetor Overhaul (Walbro)	135A	698780	Tube–Fuel Transfer Used on Type No(s). 0101, 0105, 0110, 0114, 0116, 0119, 0120, 0122, 0123, 0126, 0130, 0136, 0137, 0139, 0163, 0183, 0190.
81	691178	Lock–Muffler Screw	121A	698787	Kit–Carburetor Overhaul (Nikki)	137	●281165	Gasket–Float Bowl (Walbro)
93	●690602	Bushing–Throttle Shaft (Walbro)	125A	790023	Carburetor (Nikki)(Pump Feed) Used on Type No(s). 0015, 0016, 0020, 0026, 0028, 0029, 0036, 0117, 0124, 0127, 0129, 0131, 0132.	137A	●698781	Gasket–Float Bowl (Nikki)
94	498030	Kit–Idle Mixture (Walbro)			----- <b>Note</b> ----- 699916 Carburetor (Nikki With Solenoid) Used on Type No(s). 0110, 0114, 0116, 0119, 0120, 0123, 0126, 0130, 0136, 0137, 0139, 0163, 0183, 0190. 790019 Carburetor (Nikki Without Solenoid) Used on Type No(s). 0110, 0114, 0116, 0119, 0120, 0121, 0123, 0126, 0163, 0183, 0190.	141A	698778	Kit–Choke Shaft (Nikki)
94A	695425	Kit–Idle Mixture (Nikki)				141C	790902	Kit–Choke Shaft (Walbro)
95	●691636	Screw (Throttle Valve) (Walbro)				142	●697491	Nozzle–Carburetor (Standard)(Walbro)
95A	●690718	Screw (Throttle Valve)(Nikki)				143	●697492	Nozzle–Carburetor (High Altitude)(Walbro) Used on Type No(s). 0036.
98	495800	Kit–Idle Speed (Walbro)				146	691639	Key–Timing
98A	695408	Kit–Idle Speed (Nikki)				186	698174	Connector–Hose (Straight) ----- <b>Note</b> ----- 692317 Connector–Hose (Straight)
104	●690525	Pin–Float Hinge (Walbro)						
104A	●694918	Pin–Float Hinge (Nikki)	127	●694524	Plug–Welch (Walbro)			
105	●231855	Valve–Float Needle (Walbro)	127A	●690727	Plug–Welch (Nikki)			
105A	●696136	Valve–Float Needle (Nikki)	130	690468	Valve–Throttle (Walbro)			
106	●691780	Seat–Inlet (Pump Feed) Used on Type No(s). 0015, 0016, 0026, 0029, 0036, 0117, 0124, 0129. ----- <b>Note</b> ----- 690577 Seat–Inlet Used on Type No(s). 0105, 0110, 0114, 0116, 0119, 0120, 0121, 0122, 0123, 0126, 0163, 0183, 0190.	130A	698774	Valve–Throttle (Nikki)			
108A	698773	Valve–Choke (Nikki)	131	697542	Kit–Throttle Shaft (Walbro)			
108B	691227	Valve–Choke (Walbro)	131A	698776	Kit–Throttle Shaft (Nikki)			
117	699897	Jet–Main (Standard) (Nikki)	133	494381	Float–Carburetor (Walbro)			
			133A	694914	Float–Carburetor (Nikki)			

★ Included in Engine Gasket Set–Ref. No.358.

● Included in Carburetor Overhaul Kit–Ref. No. 121 or 121A.

◆ Included in Carburetor Gasket Set–Ref. No. 977 or 977A.

△ Included in Valve Gasket Set–Ref. No 1095.

**Illustrations cover a range of engines. Parts shown without corresponding text may not be used on your specific engine.**

5036–11

Assemblies include all parts shown in frames.

06/09/2005

## 21B900

REF. NO.	PART NO.	DESCRIPTION	REF. NO.	PART NO.	DESCRIPTION	REF. NO.	PART NO.	DESCRIPTION
187	699331	Line-Fuel (Formed)(Cut To Required Length) Used on Type No(s). 0015, 0016, 0020, 0026, 0028, 0029, 0036, 0038, 0110, 0114, 0116, 0117, 0119, 0120, 0121, 0123, 0124, 0126, 0127, 0129, 0130, 0131, 0132, 0136, 0137, 0139, 0163, 0183, 0190.	209	690480	Spring-Governor (Red) Used on Type No(s). 0015, 0016, 0020, 0026, 0028, 0029, 0036, 0038, 0116, 0117, 0119, 0120, 0126, 0127, 0129, 0130, 0136, 0163, 0183, 0190.	240A	691035	Filter-Fuel (Clear, 40 Microns) Used on Type No(s). 0015, 0016, 0020, 0026, 0028, 0029, 0036, 0038, 0117, 0124, 0127, 0129, 0131, 0132, 0138.
187A	699332	Line-Fuel (Formed) (Cut To Required Length) Used on Type No(s). 0020, 0028.			----- <b>Note</b> ----- <b>691789</b> Spring-Governor (Brown) Used on Type No(s). 0110, 0114, 0121, 0123, 0124, 0137, 0138.	265	691024	Clamp-Casing
187B	296004	Line-Fuel (Cut To Required Length) Used on Type No(s). 0119, 0123.			<b>692208</b> Spring-Governor (Green) Used on Type No(s). 0131, 0132, 0139.	267	690804	Screw (Casing Clamp)
188	691693	Screw (Control Bracket)			<b>691795</b> Spring-Governor (Yellow) Used on Type No(s). 0127.	267A	695134	Screw (Casing Clamp)
190		Screw (Not Serviced Separately. Part of Fuel Tank 699710)	216	691840	Link-Choke	268	691025	Casing-Control Wire (Cut To Required Length)
192	691986	Adjuster-Rocker Arm	216A	691281	Link-Choke Used on Type No(s). 0020, 0028, 0038.	269	691026	Wire-Control (Cut To Required Length)
202	691841	Link-Mechanical Governor				270	691027	Nut (Control Wire Casing)
203	691381	Crank-Bell Used on Type No(s). 0020, 0028.	222	694042	Bracket-Control	271	691028	Lever-Control
205	691693	Screw (Bell Crank)	227	691374	Lever-Governor Control	276	◆◆692255	Washer-Sealing (Walbro)
			231	691636	Screw (Choke Valve)	276A	◆◆695410	Washer-Sealing (Nikki)
			232	691842	Spring-Governor Link	300	697048	Muffler (Lo Tone) Used on Type No(s). 0015, 0016, 0020, 0026, 0028, 0029, 0036, 0038, 0117, 0121, 0126, 0127, 0129.
			238	691843	Cap-Valve	300A	697349	Muffler (Lo Tone) Used on Type No(s). 0015, 0016, 0020, 0026, 0028, 0029, 0036, 0038, 0117, 0121, 0126, 0127, 0129.
			240	298090	Filter-Fuel (Red, 150 Microns) Used on Type No(s). 0110.			
					----- <b>Note</b> ----- <b>394358</b> Filter-Fuel (White, 75 Microns) Used on Type No(s). 0114, 0116, 0119, 0120, 0121, 0123, 0126, 0130, 0136, 0137, 0139, 0163, 0183, 0190.			

★ Included in Engine Gasket Set-Ref. No.358.

● Included in Carburetor Overhaul Kit-Ref. No. 121 or 121A.

◆ Included in Carburetor Gasket Set-Ref. No. 977 or 977A.

△ Included in Valve Gasket Set-Ref. No 1095.

**Illustrations cover a range of engines. Parts shown without corresponding text may not be used on your specific engine.**

**21B900**

REF. NO.	PART NO.	DESCRIPTION	REF. NO.	PART NO.	DESCRIPTION	REF. NO.	PART NO.	DESCRIPTION
304	698473	Housing-Blower (Black) Used on Type No(s). 0110, 0114, 0116, 0117, 0120, 0121, 0126, 0130, 0136, 0137, 0138. ----- <b>Note</b> ----- <b>699085</b> Housing-Blower (Red) Used on Type No(s). 0015, 0016, 0020, 0026, 0028, 0029, 0036, 0038, 0119, 0123, 0124, 0127, 0129, 0131, 0132, 0139, 0163, 0183, 0190.	356	697397	Wire-Stop (1 Wire, 20" Long) (Snap Connect Insulated Female Blade Terminal, and Snap Connect Insulated Pin Socket Used on Type No(s). 0015, 0016, 0026, 0028, 0029, 0036, 0038.	385A	690297	Screw (Fuel Pump) Used on Type No(s). 0020. ----- <b>Note</b> ----- <b>692581</b> Screw (Fuel Pump) Used on Type No(s). 0028, 0038.
305	697102	Screw (Blower Housing)	356A	398808	Wire-Stop (2 Wires, 15" And 15-11/16" Long) (Snap Connect Insulated Female Blade Terminal, Ring Terminal, And Bare Wire End) Used on Type No(s). 0119, 0127.	387	697090	Pump-Fuel (Includes Mounting Bracket) Used on Type No(s). 0015, 0016, 0026, 0029, 0036, 0117, 0124, 0127, 0129, 0131, 0132.
305A	697103	Screw (Blower Housing)	356B	697089	Wire-Stop (1 Wire, 8" Long)(2 Ring Terminals) Used on Type No(s). 0020, 0110, 0119, 0123, 0127, 0130, 0136.	387A	808656	Pump-Fuel Used on Type No(s). 0020, 0028.
306	697359	Shield-Cylinder	357	691483	Key-Drive Pulley Used on Type No(s). 0119, 0127, 0130, 0136.	404	691691	Washer (Governor Crank)
307	691003	Screw (Cylinder Shield)	358	697151	Gasket Set-Engine	415	690283	Plug (Sump) Used on Type No(s). 0016, 0036, 0114, 0116, 0117, 0119, 0120, 0123, 0124, 0126, 0127, 0129, 0130, 0136, 0138.
309	693551	Motor-Starter Used on Type No(s). 0026, 0028, 0029, 0036, 0038, 0110, 0119, 0120, 0123, 0124, 0126, 0127, 0129, 0130, 0131, 0132, 0137, 0138, 0139, 0163, 0183, 0190.	359	691077	Washer (Ground Terminal) Used on Type No(s). 0119, 0127.	431	697122	Elbow-Intake
310	690323	Screw (Starter Motor)	363	19203	Puller-Flywheel	445	698413	Filter-Air Cleaner Cartridge (Non Washable)
311	497608	Brush Set	373	691612	Nut (Ground Terminal) Used on Type No(s). 0119, 0127.	455	695113	Cup-Flywheel Used on Type No(s). 0015, 0016, 0020, 0028, 0029, 0038, 0114, 0116, 0117, 0120, 0121, 0126, 0127, 0137, 0138, 0139.
333	492341	Armature-Magneto	383	89838S	Wrench-Spark Plug			
334	691061	Screw (Magneto Armature)	385	694476	Screw (Fuel Pump)			
337	491055	Plug-Spark ----- <b>Note</b> ----- <b>691043</b> Plug-Spark Used on Type No(s). 0117, 0119, 0123, 0124, 0126, 0127, 0130, 0131, 0132, 0136, 0139, 0190.						

★ Included in Engine Gasket Set-Ref. No.358.

● Included in Carburetor Overhaul Kit-Ref. No. 121 or 121A.

◆ Included in Carburetor Gasket Set-Ref. No. 977 or 977A.

△ Included in Valve Gasket Set-Ref. No 1095.

**Illustrations cover a range of engines. Parts shown without corresponding text may not be used on your specific engine.**

## 21B900

REF. NO.	PART NO.	DESCRIPTION	REF. NO.	PART NO.	DESCRIPTION	REF. NO.	PART NO.	DESCRIPTION
456	695128	Plate-Pawl Friction	523	699908	Dipstick	579	691029	Nut (Starter Cable)
459	281505	Pawl-Ratchet	524	★691032	Seal-Dipstick Tube	584	697112	Cover-Breather Passage
474A	696578	Alternator (DC Only) Used on Type No(s). 0120, 0131, 0132.	525	697184	Tube-Dipstick ----- <b>Note</b> ----- <b>697085</b> Tube-Dipstick (Used On Engines With Fuel Pump) Used on Type No(s). 0015, 0016, 0020, 0026, 0028, 0029, 0036, 0038, 0117, 0124, 0127, 0129, 0131, 0132, 0138.	597	691696	Screw (Pawl Friction Plate)
474B	696459	Alternator (Dual Circuit) Used on Type No(s). 0026, 0028, 0029, 0036, 0038, 0114, 0121, 0124, 0126, 0129, 0137, 0138, 0139, 0163, 0183, 0190.	526	697348	Screw (Regulator) (5 To 9 Amp Regulated) Used on Type No(s). 0020.	601	95162S	Clamp-Hose (Zinc Plate)(Spring Wire) ----- <b>Note</b> ----- <b>691038</b> Clamp-Hose (Black)(Spring Steel) Used on Type No(s). 0119, 0123, 0124, 0127, 0129.
474C	696457	Alternator (5 To 9 Amp Regulated) Used on Type No(s). 0020, 0110, 0119, 0123, 0127, 0130, 0136.	526A	697088	Screw (Regulator) (5 To 9 Amp Regulated)	608	695058	Starter-Rewind Used on Type No(s). 0015, 0016, 0020, 0028, 0029, 0038, 0114, 0116, 0117, 0120, 0121, 0126, 0127, 0137, 0138, 0139.
493	695450	Bracket-Mounting (Debris Screen Guard) Used on Type No(s). 0116, 0120.	527	698467	Clamp-Tube Used on Type No(s). 0190.	613	691416	Screw (Muffler)
501A	691188	Regulator (5 To 9 Amp Regulated) Used on Type No(s). 0020, 0110, 0119, 0123, 0127, 0130, 0136.	544	692034	Armature-Starter	613A	691678	Screw (Muffler)
501D	698315	Regulator (5 To 9 Amp Regulated) Used on Type No(s). 0020.	552	697144	Bushing-Governor Crank	613B	690297	Screw (Muffler) Used on Type No(s). 0015, 0016, 0020, 0026, 0028, 0029, 0036, 0038, 0117, 0121, 0126, 0127, 0129.
505	691251	Nut (Governor Control Lever)	559	697561	Screw (Remote Choke Stop) (Assemble Remote/ Manual Choke Stop Screw in "R" Hole) Used on Type No(s). 0183, 0190.	614	691620	Pin-Cotter
507	691972	Insulator Used on Type No(s). 0119, 0127.	559A	693675	Screw (Remote Choke Stop) (Assemble Speed Limiter Screw in Number "2" Hole) Used on Type No(s). 0190.	616	692012	Crank-Governor
510	693699	Drive-Starter	562	691119	Bolt (Governor Control Lever)	617	★692138	Seal-O Ring (Intake Manifold)
513	692024	Clutch-Drive	563	695449	Screw (Debris Screen Guard)	621	692310	Switch-Stop Used on Type No(s). 0119, 0127.
520	691084	Terminal-Ground Used on Type No(s). 0119, 0127.	578	692306	Wire Assembly (1 Wire, 48-1/2" Long)(Snap Connect Female Pin Socket, And Bare WireEnd)	634A	●698779	Spring/Seal Assembly (Nikki)
521	690581	Shield-Cable Used on Type No(s). 0124, 0137, 0183.				634B	●690802	Spring/Seal Assembly (Walbro)

★ Included in Engine Gasket Set-Ref. No.358.

● Included in Carburetor Overhaul Kit-Ref. No. 121 or 121A.

◆ Included in Carburetor Gasket Set-Ref. No. 977 or 977A.

△ Included in Valve Gasket Set-Ref. No 1095.

**Illustrations cover a range of engines. Parts shown without corresponding text may not be used on your specific engine.**

5036-14

Assemblies include all parts shown in frames.

06/09/2005

**21B900**

REF. NO.	PART NO.	DESCRIPTION	REF. NO.	PART NO.	DESCRIPTION	REF. NO.	PART NO.	DESCRIPTION
635	691909	Boot-Spark Plug	741	697128	Gear-Timing	851	692424	Terminal-Spark Plug
643	697155	Retainer-Air Filter	750	790832	Screw (Oil Pump Cover)	864	697346	Adapter-Muffler Used on Type No(s). 0015, 0016, 0020, 0026, 0028, 0029, 0036, 0038, 0110, 0116, 0117, 0120, 0121, 0123, 0124, 0126, 0127, 0129, 0138.
654	690958	Nut (Carburetor)	757	697607	Link-Counterweight	868	*Δ690968	Seal-Valve
676	393761	Deflector-Muffler (Side Out) Used on Type No(s). 0015, 0016, 0020, 0026, 0028, 0029, 0036, 0038, 0123, 0127, 0129, 0138.	758	697391	Counterweight	877	393456	Wire/Connector- Alternator (Dual Circuit) Used on Type No(s). 0026, 0028, 0029, 0036, 0038, 0114, 0121, 0123, 0124, 0126, 0129, 0137, 0138, 0139, 0163, 0183, 0190.
676A	396903	Deflector-Muffler (Direct Out) Used on Type No(s). 0124.	783	693713	Gear-Pinion	877A	393814	Wire/Connector- Alternator (DC Only) Used on Type No(s). 0120, 0131, 0132.
677	690661	Screw (Muffler Deflector)	788	699347	Bracket-Fuel Pump Used on Type No(s). 0020, 0028, 0038.	877B	393537	Wire/Connector- Alternator (5 To 9 Amp Regulated) Used on Type No(s). 0020, 0110, 0119, 0123, 0127, 0130, 0136.
689	691855	Spring-Friction	789	698329	Harness-Wiring (6 Pin Customer Conversion) Used on Type No(s). 0131, 0132, 0136, 0163, 0190.	878	691237	Harness-Alternator (2 Wires, 48-1/2", And 48-1/2" Long)(Snap Connect Female Pin Terminal,And 2 Bare Wire Ends) Used on Type No(s). 0026, 0028, 0029, 0036, 0114, 0121, 0123, 0124, 0126, 0129, 0137, 0138, 0139, 0163, 0183, 0190.
691	*692407	Seal-Governor Shaft	789A	692037	Harness-Wiring Used on Type No(s). 0020, 0028, 0038, 0110, 0114, 0116, 0117, 0120, 0121, 0123, 0124, 0126, 0129, 0130, 0137, 0138, 0139, 0183.			
692	691301	Spring-Detent Used on Type No(s). 0015, 0016, 0026, 0029, 0036.	797	693167	Nut (Brush Retainer)			
697	690372	Screw (Drive Cap)	801	691283	Cap-Drive			
705	790561	Nut (Fuel Tank)	802	691286	Cap-End			
718	690959	Pin-Locating	803		Housing-Starter (Not Serviced Separately, Order Starter Motor 693551)			
729	691335	Clip-Wire (Wire Retainer)	823	698941	Screw (Muffler Adapter)			
729A	691224	Clip-Wire (Starter Motor)	830	691095	Stud-Rocker Arm			
729B	694123	Clip-Wire (Regulator) Used on Type No(s). 0020, 0110, 0119, 0123, 0127, 0130, 0136.	842	*691031	Seal-O Ring (Dipstick Tube)			
			847	790442	Dipstick/Tube Assembly ----- <b>Note</b> ----- 790443 Dipstick/Tube Assembly (Used On Engines With Fuel Pump) Used on Type No(s). 0015, 0016, 0020, 0026, 0028, 0029, 0036, 0038, 0117, 0124, 0127, 0129, 0131, 0132.			

★ Included in Engine Gasket Set-Ref. No.358.

● Included in Carburetor Overhaul Kit-Ref. No. 121 or 121A.

◆ Included in Carburetor Gasket Set-Ref. No. 977 or 977A.

Δ Included in Valve Gasket Set-Ref. No 1095.

**Illustrations cover a range of engines. Parts shown without corresponding text may not be used on your specific engine.**

## 21B900

REF. NO.	PART NO.	DESCRIPTION	REF. NO.	PART NO.	DESCRIPTION	REF. NO.	PART NO.	DESCRIPTION
883	★692236	Gasket-Exhaust	965	499613	Cover-Oil Pump	1027	492932	Filter-Oil
914	691108	Screw (Rocker Cover)	967	697292	Filter-Pre Cleaner	1029	691751	Arm-Rocker
918	697091	Hose-Vacuum (Molded) Used on Type No(s). 0015, 0016, 0026, 0029, 0036, 0117, 0124, 0127, 0129, 0131, 0132, 0138.	968	697420	Cover-Air Cleaner (Black) Used on Type No(s). 0110, 0114, 0116, 0117, 0120, 0121, 0126, 0130, 0131, 0132, 0136, 0137.	1032	491710	Ball-Oil Pump
920	691656	Solenoid-Starter Used on Type No(s). 0130, 0136.			----- <b>Note</b> -----	1034	690822	Guide-Push Rod
943	★690589	Seal-O Ring (Oil Pump Cover)			697422 Cover-Air Cleaner (Red) Used on Type No(s). 0015, 0016, 0020, 0026, 0028, 0029, 0036, 0038, 0119, 0123, 0124, 0127, 0129, 0163, 0183, 0190.	1035	693784	Shaft-Pump
947	699915	Solenoid-Fuel Used on Type No(s). 0020, 0028, 0038, 0110, 0114, 0116, 0117, 0119, 0120, 0121, 0123, 0124, 0126, 0127, 0129, 0130, 0131, 0132, 0136, 0137, 0138, 0163, 0183, 0190.	972	699710	Tank-Fuel (Plastic) Used on Type No(s). 0020.	1036	790465	Label-Emissions (Used After Code Date 04063000) ----- <b>Note</b> -----
949	695448	Guard-Debris Screen Used on Type No(s). 0116, 0120.	975	495933	Bowl-Float (Walbro)	790186		Label-Emissions (Used After Code Date 03123100 and Before Code Date 04070100).
950	691657	Screw-Float Bowl (Bottom Of Bowl)	975A	698783	Bowl-Float (Nikki) ----- <b>Note</b> -----	697221		Label-Emissions (Used Before Code Date 04010100)
957	694261	Cap-Fuel Tank (Plastic) Used on Type No(s). 0020, 0028, 0038.			699502 Bowl-Float (Nikki Without Solenoid)	1040	698368	Plate-Trim (Exhaust) Used on Type No(s). 0131, 0132.
958	698183	Valve-Fuel Shut Off (Plastic) Used on Type No(s). 0119, 0123, 0124, 0127, 0129.	977	690192	Gasket Set-Carburetor (Walbro)	1040A	697381	Plate-Trim (Exhaust) Used on Type No(s). 0026, 0036, 0110, 0119, 0123, 0124, 0129, 0130, 0136, 0163, 0183, 0190.
			977A	790032	Gasket Set-Carburetor (Nikki)	1044	698139	Screw (Flywheel)
			987	●691326	Seal-Throttle Shaft	1051	691265	Ring-Retaining
			987A	●698777	Seal-Throttle Shaft	1054	280275	Tie-Cable
			1005	699044	Fan-Flywheel	1058	275935	Operator's Manual
			1017	690770	Screen-Oil Pump	1070	690372	Screw (Flywheel Fan)
			1019	699196	Kit-Label	1090	691293	Retainer-Brush
			1022	★Δ272475	Gasket-Rocker Cover	1091	691333	Cap-Limiter
			1023	692492	Cover-Rocker	1095	691581	Gasket Set-Valve
			1024	499054	Pump-Oil	1119	691183	Screw (Alternator)
			1026	697395	Rod-Push (Exhaust) ----- <b>Note</b> -----	1127	695407	Screw (Float Bowl)(Mount Float Bowl To Carburetor Body)
					697394 Rod-Push (Intake)	1263	697124	Reed-Breather
						1264	697104	Screw (Breather Reed)

★ Included in Engine Gasket Set-Ref. No.358.

● Included in Carburetor Overhaul Kit-Ref. No. 121 or 121A.

◆ Included in Carburetor Gasket Set-Ref. No. 977 or 977A.

Δ Included in Valve Gasket Set-Ref. No 1095.

**Illustrations cover a range of engines. Parts shown without corresponding text may not be used on your specific engine.**



**21B900**

REF. NO.	PART NO.	DESCRIPTION	REF. NO.	PART NO.	DESCRIPTION	REF. NO.	PART NO.	DESCRIPTION
1266	●691917	Seal-O Ring (Intake Elbow)	1270	●697156	Plug-AVS Counterweight			
1266A	●697123	Seal-O Ring (Intake Elbow)	1330	272147	Repair Manual			
1267	697424	Latch-Blower Housing (Red) Used on Type No(s). 0015, 0016, 0020, 0026, 0028, 0029, 0036, 0038, 0119, 0123, 0124, 0127, 0129, 0163, 0183, 0190. ----- <b>Note</b> ----- <b>697419</b> Latch-Blower Housing (Black) Used on Type No(s). 0110, 0114, 0116, 0117, 0120, 0121, 0126, 0130, 0131, 0132, 0136, 0137, 0138, 0139.						

★ Included in Engine Gasket Set-Ref. No.358.

● Included in Carburetor Overhaul Kit-Ref. No. 121 or 121A.

◆ Included in Carburetor Gasket Set-Ref. No. 977 or 977A.

△ Included in Valve Gasket Set-Ref. No 1095.

**Illustrations cover a range of engines. Parts shown without corresponding text may not be used on your specific engine.**

5036-17

Assemblies include all parts shown in frames.

06/09/2005