



Illustrated Parts List

Model Series

21A800

TYPE NUMBERS
0113 through 0333.

TABLE OF CONTENTS

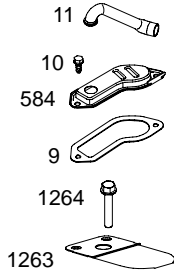
Air Cleaner	6
Alternator	9
Blower Housing	6
Camshaft	3
Carburetor	5
Controls	8
Crankshaft	3
Cylinder	2
Cylinder Head	4
Electric Starter	7
Engine Sump	2
Exhaust System	6
Flywheel	7
Fuel Supply	8
Gasket Set - Engine	4
Gasket Set - Valve	4
Governor Spring	8
Ignition	8
Intake Manifold	8
Kit - Carburetor Overhaul	5
Lubrication	3
Piston, Rings, Connecting Rod	3
Valves	4

PRINTED IN U.S.A.

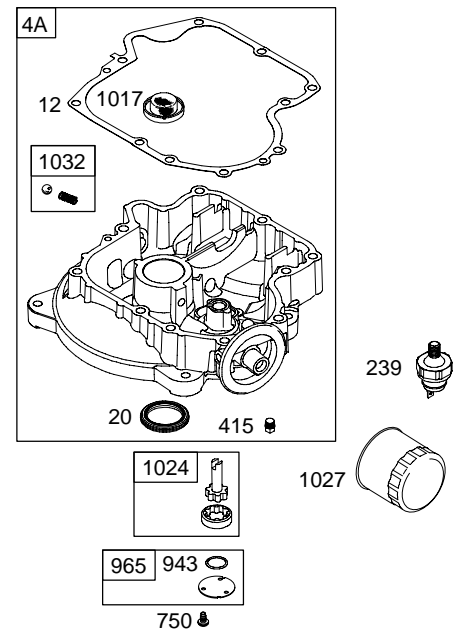
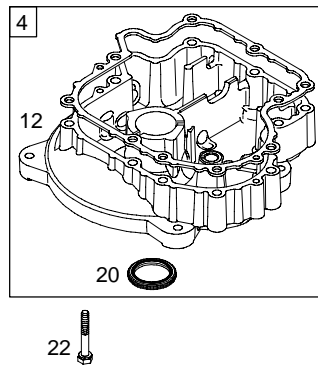
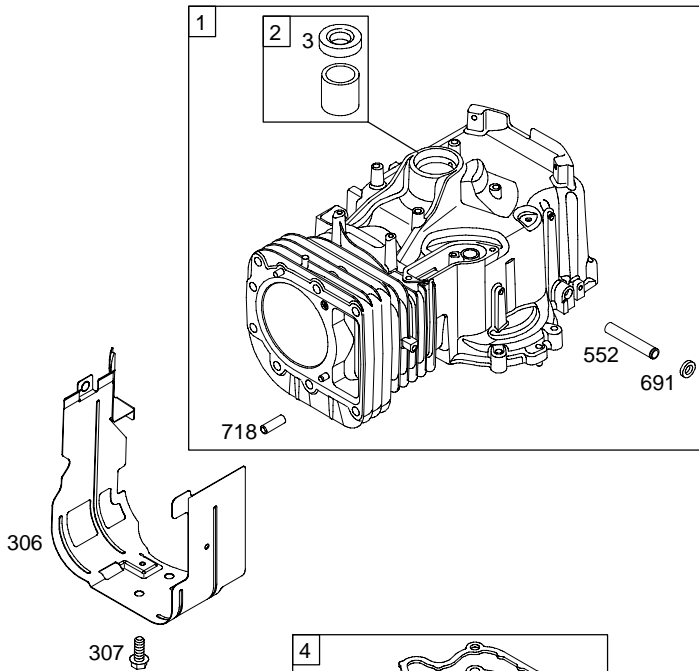


COPYRIGHT by BRIGGS & STRATTON CORPORATION
All rights reserved. No part of this material may be reproduced or transmitted, in any form or by any means, electronic or mechanical, including photocopying, recording or by any information storage and retrieval system, without permission in writing from Briggs & Stratton Corporation.

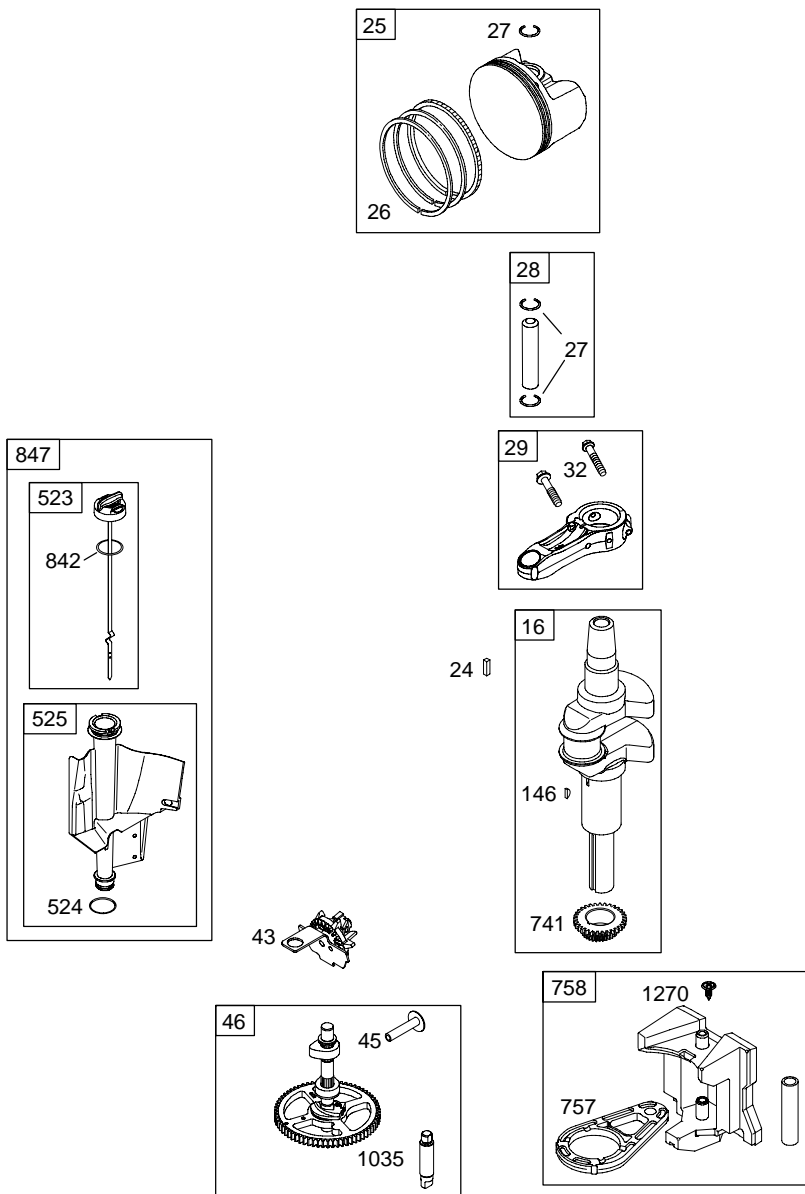
21A800



- 1019 LABEL KIT
- 1058 OWNER'S MANUAL
- 1330 REPAIR MANUAL

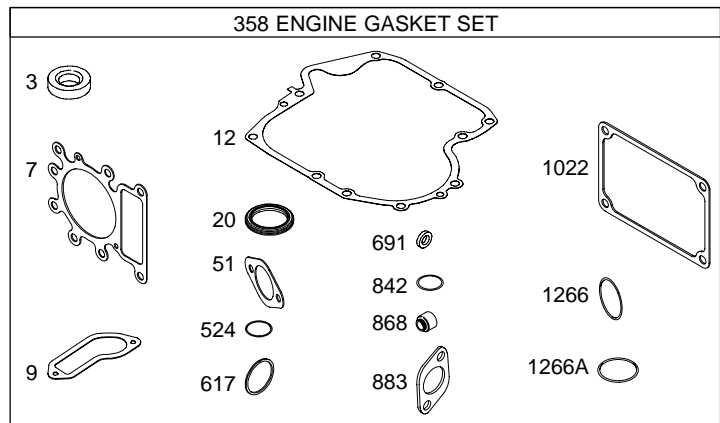
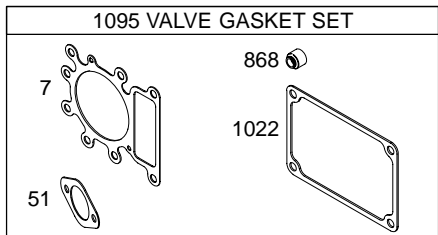
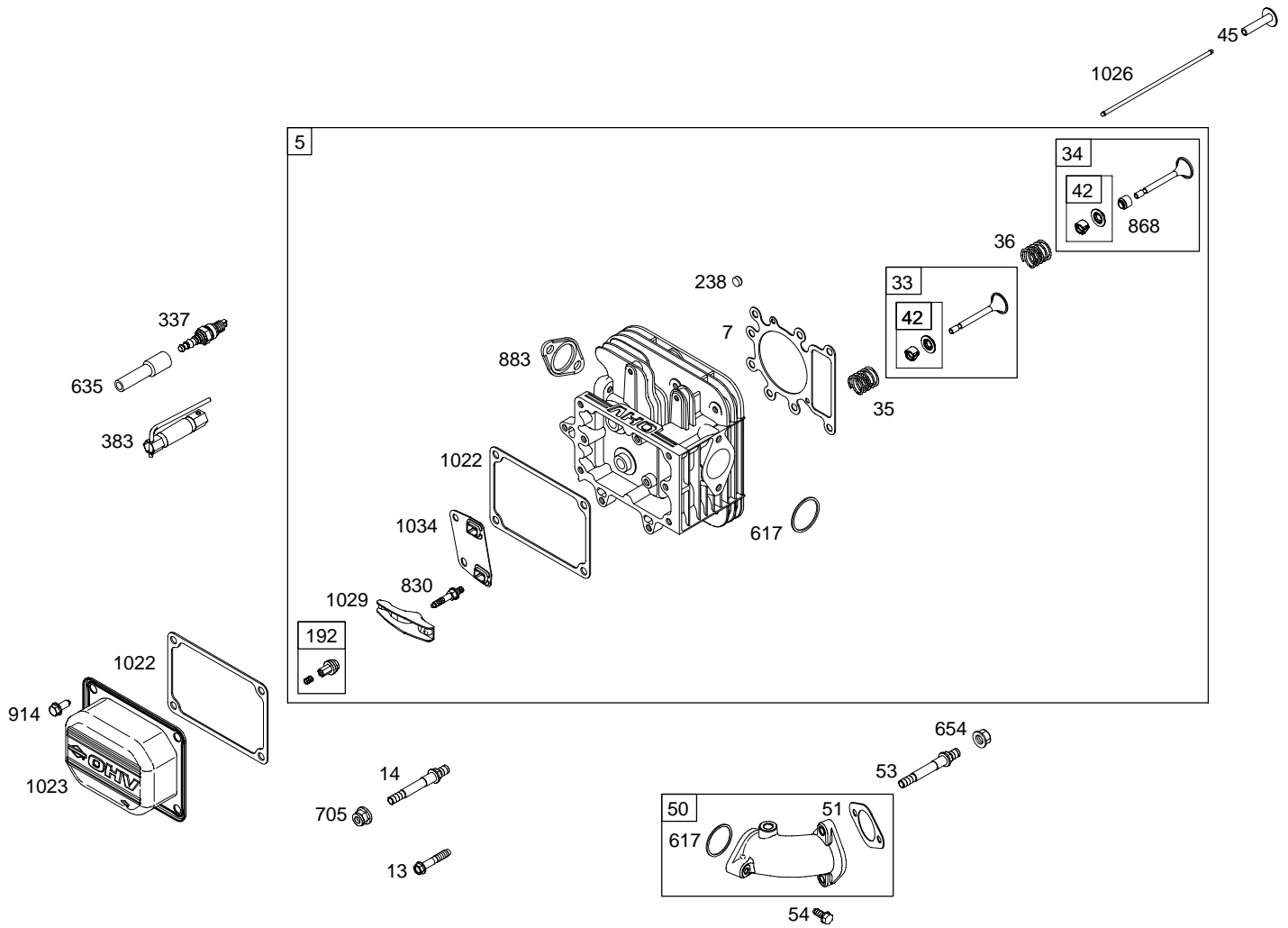


Illustrations cover a range of engines. Parts shown without corresponding text may not be used on your specific engine.
5501-2 Assemblies include all parts shown in frames. 06/15/2005

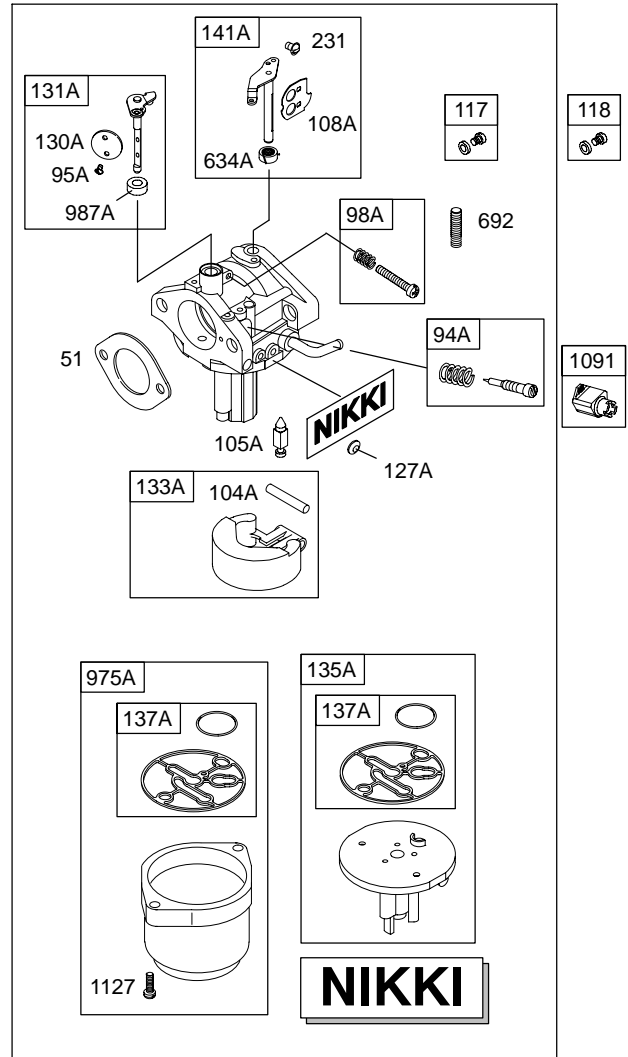
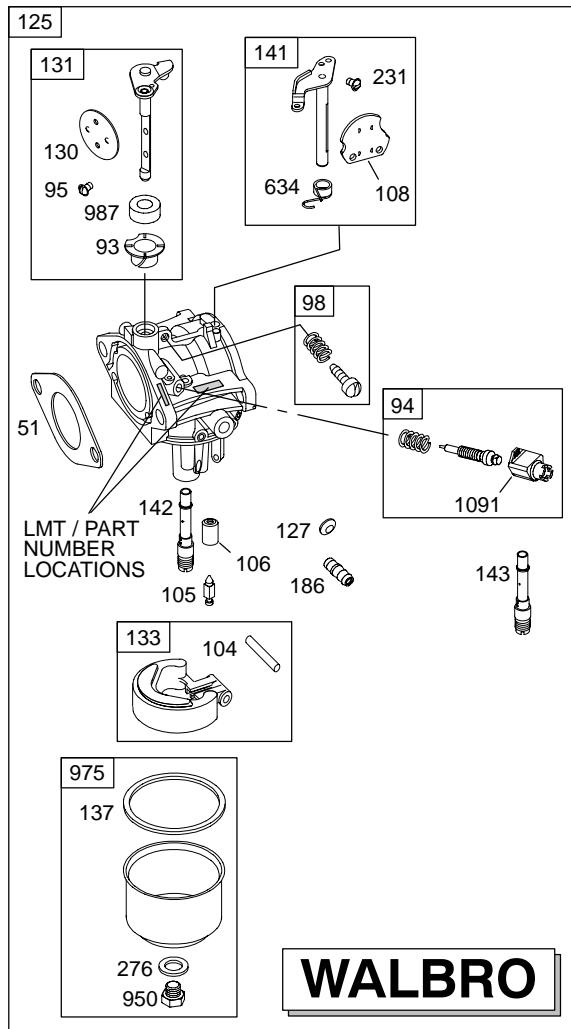


Illustrations cover a range of engines. Parts shown without corresponding text may not be used on your specific engine.
5501-3 Assemblies include all parts shown in frames. 06/15/2005

21A800



Illustrations cover a range of engines. Parts shown without corresponding text may not be used on your specific engine.
 5501-4 Assemblies include all parts shown in frames. 06/15/2005



121 CARBURETOR OVERHAUL KIT			
51	104	137	634
	105	142	987
93	106		1266
95	127	276	1266A

977 CARBURETOR GASKET SET		
51	137	276

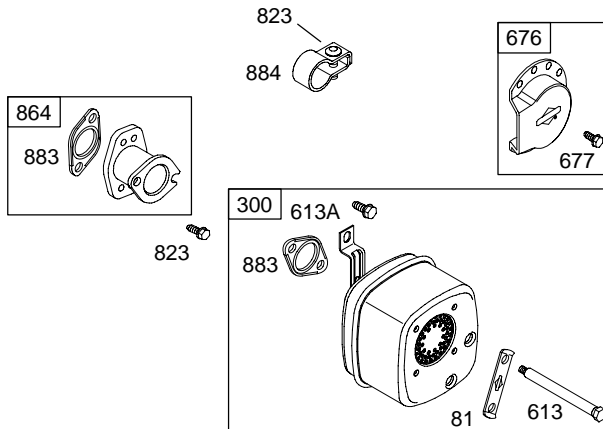
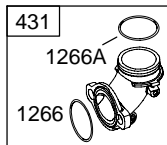
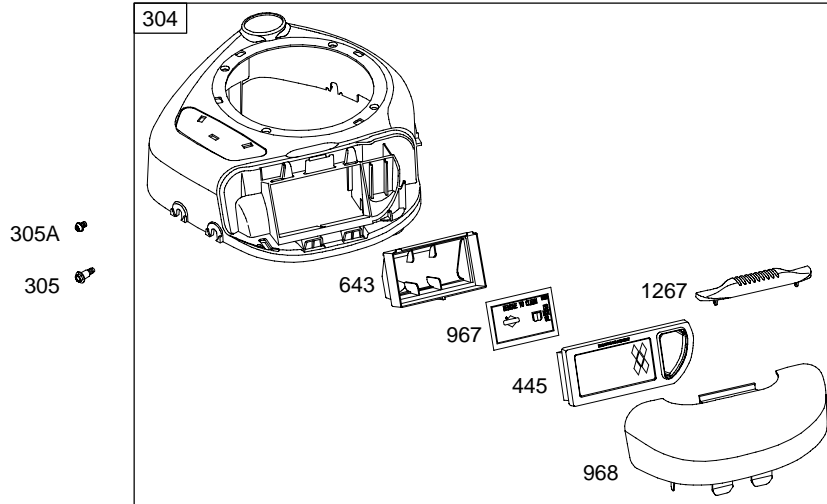
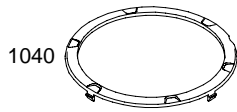
121A CARBURETOR OVERHAUL KIT			
51	105A	137A	987A
95A	117		1266
104A	127A		1266A
	617	634A	

977A CARBURETOR GASKET SET		
51	137A	276

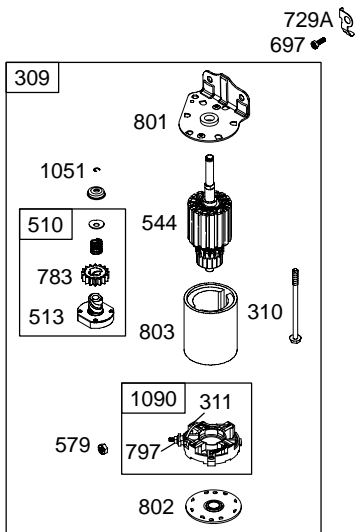
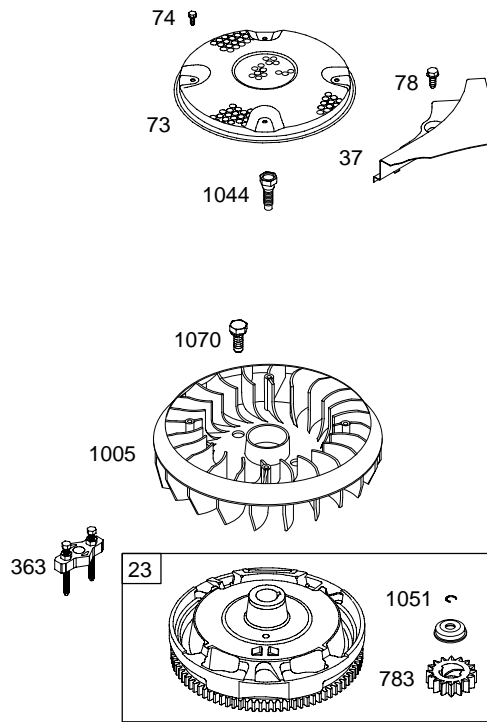
Illustrations cover a range of engines. Parts shown without corresponding text may not be used on your specific engine.

21A800

1036 EMISSION LABEL

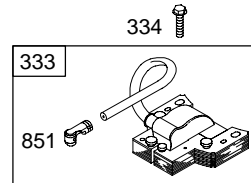
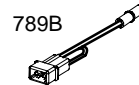
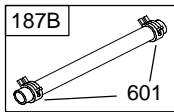
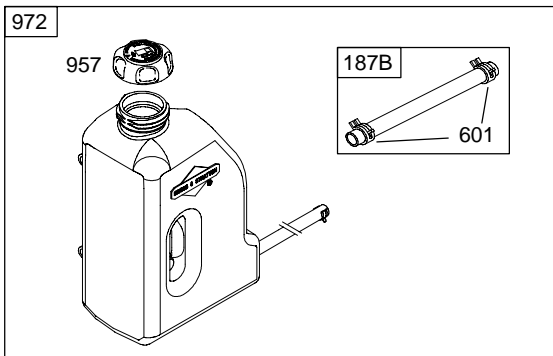
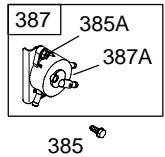
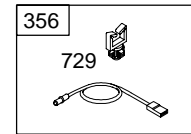
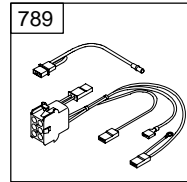
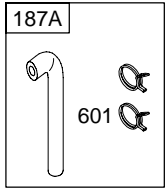
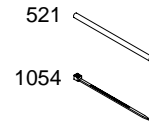
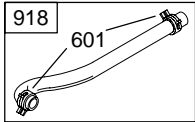
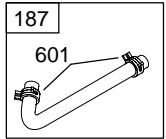


Illustrations cover a range of engines. Parts shown without corresponding text may not be used on your specific engine.
5501-6 Assemblies include all parts shown in frames. 06/15/2005

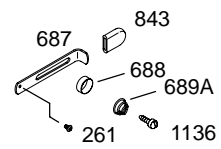
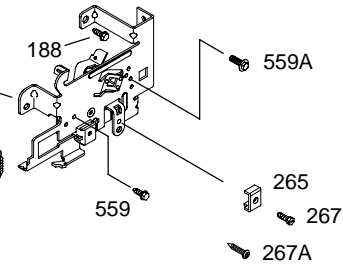
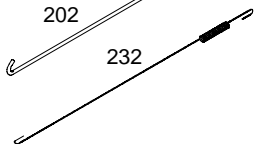
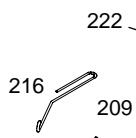
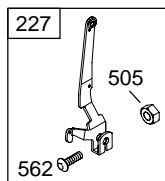


Illustrations cover a range of engines. Parts shown without corresponding text may not be used on your specific engine.
5501-7 Assemblies include all parts shown in frames. **06/15/2005**

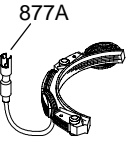


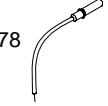

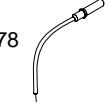



21A800



404 Ø
614 R



Illustrations cover a range of engines. Parts shown without corresponding text may not be used on your specific engine.
5501-8 Assemblies include all parts shown in frames. 06/15/2005

DC ONLY	DUAL CIRCUIT	5 – 9 AMP
<p>474A</p>  <p>877A</p>	<p>474B</p>  <p>877</p>	<p>474C</p>  <p>877B</p>
<p>578</p> 	<p>878</p> 	<p>578</p> 
<p>NOTE: All stators use a No. 1119 mounting screw. </p> <p>NOTE: The proper flywheel part number and/or the alternator magnet size will determine the alternator type or output. See repair instruction manual for additional information.</p>		<p>526A </p> <p>501A </p>

729B 

21A800

REF. NO.	PART NO.	DESCRIPTION	REF. NO.	PART NO.	DESCRIPTION	REF. NO.	PART NO.	DESCRIPTION	
1	697377	Cylinder Assembly	24	222698	Key-Flywheel	73	697133	Screen-Rotating	
2	399265	Kit-Bushing/Seal (Magneto Side)	25	698767	Piston Assembly (Standard)			(Used After Code Date 03031600)	
3	★391086	Seal-Oil (Magneto Side)			----- Note -----			----- Note -----	
4	697106	Sump-Engine			698769 Piston Assembly (.020" Oversize)		697384	Screen-Rotating	
4A	697188	Sump-Engine Used on Type No(s). 0113, 0121.			698371 Piston Assembly (Standard)			(Used Before Code Date 03031700)	
5	697396	Head-Cylinder			Used on Type No(s). 0119, 0121.	74	697897	Screw (Rotating Screen)	
7	★273280	Gasket-Cylinder Head			698394 Piston Assembly (.020" Oversize)		78	691003	Screw (Flywheel Guard)
9	★697109	Gasket-Breather			Used on Type No(s). 0119, 0121.		81	691178	Lock-Muffler Screw
10	697157	Screw (Breather Assembly)			698375 Ring Set (Standard)		93	690602	Bushing-Throttle Shaft
11	697113	Tube-Breather			----- Note -----		94	498030	Kit-Idle Mixture
12	★697110	Gasket-Crankcase (.015" Thick)(Standard)	26	698375	Ring Set (Standard)		94A	695425	Kit-Idle Mixture
13	690360	Screw (Cylinder Head)			698376 Ring Set (.010" Oversize)		95	691636	Screw (Throttle Valve)
14	790560	Stud (Cylinder Head)			698377 Ring Set (.020" Oversize)		95A	690718	Screw (Throttle Valve)
15	690946	Plug-Oil Drain (3/8" Standard)			698378 Ring Set (.030" Oversize)		98	495800	Kit-Idle Speed
16	698382	Crankshaft Used on Type No(s). 0116, 0118, 0163, 0214, 0215, 0236, 0238, 0241, 0285, 0333.	27	698469	Lock-Piston Pin		98A	695408	Kit-Idle Speed
		----- Note -----	28	697099	Pin-Piston		104	690525	Pin-Float Hinge
		697390 Crankshaft Used on Type No(s). 0119, 0121.	29	697364	Rod-Connecting (Standard)		104A	694918	Pin-Float Hinge
20	★690947	Seal-Oil (PTO Side)			----- Note -----		105	231855	Valve-Float Needle
22	692125	Screw (Crankcase Cover/Sump)			697262 Rod-Connecting (.020" Undersize)		105A	696136	Valve-Float Needle
23	698281	Flywheel Used on Type No(s). 0163, 0214, 0215, 0238, 0241, 0285, 0333.	32	692852	Screw (Connecting Rod)		106	690577	Seat-Inlet (Gravity Feed) Used on Type No(s). 0118, 0119, 0121, 0163, 0214, 0215, 0236, 0238, 0241, 0285, 0333.
		----- Note -----			691279 Spring-Valve (Intake)			----- Note -----	
		790922 Flywheel (Painted Flywheel) Used on Type No(s). 0113, 0118, 0119, 0121, 0236.	33	695760	Valve-Exhaust			691780 Seat-Inlet (Pump Feed) Used on Type No(s). 0116, 0120, 0121.	
		698282 Flywheel Used on Type No(s). 0116.	34	695761	Valve-Intake		108	691227	Valve-Choke
			35	691279	Spring-Valve (Exhaust)		108A	698773	Valve-Choke
			36	691279	Spring-Valve (Intake)		117	699897	Jet-Main (Standard)
			37	697352	Guard-Flywheel		118	699898	Jet-Main (High Altitude)
			42	499586	Keeper-Valve		121	790031	Kit-Carburetor Overhaul (Walbro)
			43	691968	Slinger-Governor/Oil		121A	698787	Kit-Carburetor Overhaul (Nikki)
			45	690564	Tappet-Valve				
			46	790400	Camshaft				
			50	697361	Manifold-Intake				
			51	★692137	Gasket-Intake				
			53	690227	Stud (Carburetor)				
			54	691148	Screw (Intake Manifold)				

★ Included in Engine Gasket Set-Ref. No.358.

● Included in Carburetor Overhaul Kit-Ref. No. 121 or 121A.

◆ Included in Carburetor Gasket Set-Ref. No. 977 or 977A.

△ Included in Valve Gasket Set-Ref. No 1095.

Illustrations cover a range of engines. Parts shown without corresponding text may not be used on your specific engine.

21A800

REF. NO.	PART NO.	DESCRIPTION	REF. NO.	PART NO.	DESCRIPTION	REF. NO.	PART NO.	DESCRIPTION
125	790019	Carburetor (Gravity Feed) ----- Note ----- 790020 Carburetor (Pump Feed) Used on Type No(s). 0113, 0116, 0120.	187B	791745	Line-Fuel (23 Inches Long)(Cut to Required Length) (Used After Code Date 05063000) 296004 Line-Fuel (23 Inches Long)(Cut to Required Length) (Used Before Code Date 05070100)	240	394358	Filter-Fuel (White, 75 Microns) Used on Type No(s). 0118, 0119, 0121, 0163, 0214, 0215, 0236, 0238, 0241, 0285, 0333.
127	694524	Plug-Welch				240A	691035	Filter-Fuel (Clear, 40 Microns) Used on Type No(s). 0113, 0116, 0120.
127A	690727	Plug-Welch						
130	790024	Valve-Throttle						
130A	698774	Valve-Throttle	188	691693	Screw (Control Bracket)	261	697176	Screw (Control Slide)
131	790901	Kit-Throttle Shaft						
131A	698776	Kit-Throttle Shaft	192	691986	Adjuster-Rocker Arm			
133	494381	Float-Carburetor	202	691841	Link-Mechanical Governor			
133A	694914	Float-Carburetor						
135A	698780	Tube-Fuel Transfer	209	692208	Spring-Governor (Green) Used on Type No(s). 0118, 0119, 0163.	265	691024	Clamp-Casing
137	281165	Gasket-Float Bowl				267	690804	Screw (Casing Clamp) Used on Type No(s). 0116, 0118, 0119, 0121.
137A	698781	Gasket-Float Bowl						
141	790902	Kit-Choke Shaft						
141A	698778	Kit-Choke Shaft						
142	790025	Nozzle-Carburetor (Standard)						
143	790028	Nozzle-Carburetor (High Altitude)				267A	695134	Screw (Casing Clamp) Used on Type No(s). 0163, 0214, 0215, 0236, 0238, 0285.
146	691639	Key-Timing						
186	698174	Connector-Hose (Straight)				276	692255	Washer-Sealing
187	791805	Line-Fuel (Formed)(10-1/4 Inches Long)(Cut to Required Length) (Used After Code Date 05063000) ----- Note ----- 699331 Line-Fuel (Formed)(10-1/4 Inches Long)(Cut to Required Length) (Used Before Code Date 05070100)				300	697048	Muffler (Lo Tone) Used on Type No(s). 0113, 0116, 0120, 0121. (Super Lo Tone)
187A	791806	Line-Fuel (Formed)(21 Inches Long)(Cut To Required Length) (Used After Code Date 05063000) ----- Note ----- 699332 Line-Fuel (Formed)(21 Inches Long)(Cut To Required Length) (Used Before Code Date 05070100)	216	691840	Link-Choke	304	698473	Housing-Blower (Black) Used on Type No(s). 0116, 0120, 0163. ----- Note ----- 699085 Housing-Blower (Red) Used on Type No(s). 0113, 0118, 0119, 0121, 0214, 0215, 0236, 0238, 0241, 0285, 0333.
			222	694042	Bracket-Control	305	697102	Screw (Blower Housing)
			227	691374	Lever-Governor Control	305A	697103	Screw (Blower Housing)
			231	691636	Screw (Choke Valve)			
			232	691842	Spring-Governor Link			
			238	691843	Cap-Valve			
			239	491657	Switch-Oil Pressure Used on Type No(s). 0113.			

★ Included in Engine Gasket Set-Ref. No.358.

● Included in Carburetor Overhaul Kit-Ref. No. 121 or 121A.

◆ Included in Carburetor Gasket Set-Ref. No. 977 or 977A

△ Included in Valve Gasket Set-Ref. No 1095.

Illustrations cover a range of engines. Parts shown without corresponding text may not be used on your specific engine.

21A800

REF. NO.	PART NO.	DESCRIPTION	REF. NO.	PART NO.	DESCRIPTION	REF. NO.	PART NO.	DESCRIPTION
306	697359	Shield-Cylinder	415	690283	Plug	527	698467	Clamp-Tube
307	691003	Screw (Cylinder Shield)	431	697122	Elbow-Intake			Used on Type No(s). 0236, 0238.
309	693551	Motor-Starter	445	698413	Filter-Air Cleaner Cartridge (Non Washable)	544	692034	Armature-Starter
310	690323	Screw (Starter Motor)	474A	696578	Alternator (DC Only) Used on Type No(s). 0120, 0121.	552	697144	Bushing-Governor Crank
311	497608	Brush Set	474B	696459	Alternator (Dual Circuit) Used on Type No(s). 0113, 0118, 0119, 0163, 0214, 0215, 0236, 0238, 0241, 0285, 0333.	559	697561	Screw (Remote Choke Stop)(Assemble Remote/Manual Choke Stop Screw in "R" Hole) Used on Type No(s). 0236, 0333.
333	492341	Armature-Magneto	474C	696457	Alternator (5 To 9 Amp Regulated) Used on Type No(s). 0116.	559A	693675	Screw (Remote Choke Stop)(Assemble Speed Limiter Screw in Number "2" Hole) Used on Type No(s). 0236, 0238.
334	691061	Screw (Magneto Armature)	501A	691188	Regulator (5 To 9 Amp Regulated) Used on Type No(s). 0116.	562	691119	Bolt (Governor Control Lever)
337	491055	Plug-Spark Used on Type No(s). 0116, 0214, 0215, 0238, 0241, 0285, 0333. ----- Note ----- 691043 Plug-Spark Used on Type No(s). 0113, 0118, 0119, 0121, 0163, 0236.	505	691251	Nut (Governor Control Lever)	578	692306	Wire Assembly Used on Type No(s). 0116, 0121.
356	697397	Wire-Stop Used on Type No(s). 0113, 0118, 0121. ----- Note ----- 690807 Wire-Stop Used on Type No(s). 0163.	507	691972	Insulator Used on Type No(s). 0120.	579	691029	Nut (Starter Cable)
356C	399222	Wire-Stop Used on Type No(s). 0120.	510	693699	Drive-Starter	584	697112	Cover-Breather Passage
358	697151	Gasket Set-Engine	513	692024	Clutch-Drive	601	95162	Clamp-Hose (Zinc Plate)(Spring Wire)
359	691077	Washer (Ground Terminal)	520	691084	Terminal-Ground Used on Type No(s). 0120.	613	691416	Screw (Muffler)
363	19203	Puller-Flywheel	521	690581	Shield-Cable Used on Type No(s). 0113, 0121, 0214, 0215, 0241, 0333.	613A	691678	Screw (Muffler)
373	691612	Nut (Ground Terminal)	523	699908	Dipstick	614	691620	Pin-Cotter
383	89838	Wrench-Spark Plug	524	*691032	Seal-Dipstick Tube	616	692012	Crank-Governor
385	694476	Screw (Fuel Pump) Used on Type No(s). 0113, 0116, 0120.	525	697184	Tube-Dipstick ----- Note ----- 697085 Tube-Dipstick Used on Type No(s). 0113, 0116, 0120.	617	*692138	Seal-O Ring (Intake Manifold)
385A	690297	Screw (Fuel Pump) Used on Type No(s). 0113, 0116, 0120.	526A	697088	Screw (Regulator)(5 To 9 Amp Regulated) Used on Type No(s). 0116.	621	692310	Switch-Stop Used on Type No(s). 0120.
387	697090	Pump-Fuel (Includes Mounting Bracket) Used on Type No(s). 0113, 0116, 0120.				634	690802	Spring/Seal Assembly
387A	808656	Pump-Fuel Used on Type No(s). 0113, 0116, 0120.				634A	698779	Spring/Seal Assembly
404	691691	Washer (Governor Crank)				635	691909	Boot-Spark Plug
						643	697155	Retainer-Air Filter
						654	690958	Nut (Carburetor)

* Included in Engine Gasket Set-Ref. No.358.

● Included in Carburetor Overhaul Kit-Ref. No. 121 or 121A.

◆ Included in Carburetor Gasket Set-Ref. No. 977 or 977A.

△ Included in Valve Gasket Set-Ref. No 1095.

Illustrations cover a range of engines. Parts shown without corresponding text may not be used on your specific engine.

5501-12

Assemblies include all parts shown in frames.

06/15/2005

21A800

REF. NO.	PART NO.	DESCRIPTION	REF. NO.	PART NO.	DESCRIPTION	REF. NO.	PART NO.	DESCRIPTION
676	396903	Deflector-Muffler ----- Note ----- 393761 Deflector-Muffler (Side Out) Used on Type No(s). 0113, 0120.	823	698941	Screw (Muffler Adapter)	918	697091	Hose-Vacuum (Molded) Used on Type No(s). 0113, 0116, 0120.
677	690661	Screw (Muffler Deflector)	830	691095	Stud-Rocker Arm	943	690589	Seal-O Ring (Oil Pump Cover)
687	697175	Slide-Control Used on Type No(s). 0120.	842	★691031	Seal-O Ring (Dipstick Tube)	950	691657	Screw-Float Bowl (Bottom Of Bowl)
688	690395	Cap-Friction Used on Type No(s). 0120.	843	697158	Sleeve-Lever	957	694261	Cap-Fuel Tank (Plastic) Used on Type No(s). 0120.
689A	690529	Spring-Friction Used on Type No(s). 0120.	847	790442	Dipstick/Tube Assembly ----- Note ----- 790443 Dipstick/Tube Assembly Used on Type No(s). 0113, 0116.	965	499613	Cover-Oil Pump
691	★692407	Seal-Governor Shaft	851	692424	Terminal-Spark Plug	967	697292	Filter-Pre Cleaner
692	691301	Spring-Detent Used on Type No(s). 0116.	864	697346	Adapter-Muffler Used on Type No(s). 0113, 0116, 0120, 0121.	968	697420	Cover-Air Cleaner (Black)
697	690372	Screw (Drive Cap)	868	★690968	Seal-Valve Used on Type No(s). 0116.	972	699710	Tank-Fuel (Plastic)
705	790561	Nut (Fuel Tank)	877	393456	Wire/Connector- Alternator (Dual Circuit) Used on Type No(s). 0113, 0118, 0119, 0163, 0214, 0215, 0236, 0238, 0241, 0285.	975	495933	Bowl-Float
718	690959	Pin-Locating	877A	393814	Wire/Connector- Alternator (DC Only) Used on Type No(s). 0120, 0121.	975A	698783	Bowl-Float
729	691335	Clip-Wire (Wire Retainer)	877B	393537	Wire/Connector- Alternator (5 To 9 Amp Regulated) Used on Type No(s). 0116.	977	690192	Gasket Set-Carburetor (Walbro)
729A	691224	Clip-Wire (Starter Motor)	878	691237	Harness-Alternator Used on Type No(s). 0113, 0118, 0119, 0163, 0214, 0215, 0236, 0238, 0241, 0285.	977A	790032	Gasket Set-Carburetor (Nikki)
729B	694123	Clip-Wire (Regulator)	883	★692236	Gasket-Exhaust	987	691326	Seal-Throttle Shaft Used on Type No(s). 0238.
741	697128	Gear-Timing	884	691956	Clamp-Muffler Used on Type No(s). 0113.	987A	698777	Seal-Throttle Shaft
750	790832	Screw (Oil Pump Cover)	914	691108	Screw (Rocker Cover)	1005	699044	Fan-Flywheel
757	697607	Link-Counterweight				1017	690770	Screen-Oil Pump
758	697391	Counterweight				1019	699196	Kit-Label
783	693713	Gear-Pinion				1022	★272475	Gasket-Rocker Cover
789	698329	Harness-Wiring Used on Type No(s). 0116, 0119, 0214, 0215, 0236, 0238, 0241, 0285, 0333.				1023	692492	Cover-Rocker
789B	790544	Harness-Wiring Used on Type No(s). 0116.				1024	499054	Pump-Oil
797	693167	Nut (Brush Retainer)				1026	697395	Rod-Push (Exhaust) ----- Note ----- 697394 Rod-Push (Intake)
801	691283	Cap-Drive				1027	492932	Filter-Oil
802	691286	Cap-End				1029	691751	Arm-Rocker
803		Housing-Starter (Not Serviced Separately, Order Starter Motor 693551)				1032	491710	Ball-Oil Pump
						1034	690822	Guide-Push Rod
						1035	693784	Shaft-Pump

★ Included in Engine Gasket Set-Ref. No.358.

● Included in Carburetor Overhaul Kit-Ref. No. 121 or 121A.

◆ Included in Carburetor Gasket Set-Ref. No. 977 or 977A

△ Included in Valve Gasket Set-Ref. No 1095.

Illustrations cover a range of engines. Parts shown without corresponding text may not be used on your specific engine.

21A800

REF. NO.	PART NO.	DESCRIPTION	REF. NO.	PART NO.	DESCRIPTION	REF. NO.	PART NO.	DESCRIPTION
1036	791931	Label-Emissions (Used After Code Date 05070300)	1040	698368	Plate-Trim	1136	690278	Screw
		----- Note -----	1044	698139	Screw (Flywheel)			(Control Bracket)(High Speed Control)
	790465	Label-Emissions (Used After Code Date 04063000 and Before Code Date 05070400).	1051	691265	Ring-Retaining			Used on Type No(s). 0120.
	790186	Label-Emissions (Used After Code Date 03123100 and Before Code Date 04070100).	1054	280275	Tie-Cable	1263	697124	Reed-Breather
	697221	Label-Emissions (Used Before Code Date 04010100)	1058	275935	Operator's Manual	1264	697104	Screw (Breather Reed)
			1070	690372	Screw (Flywheel Fan)	1266	★691917	Seal-O Ring (Intake Elbow)
			1090	691293	Retainer-Brush	1266A	★697123	Seal-O Ring (Intake Elbow)
			1091	691333	Cap-Limiter	1267	697419	Latch-Blower Housing (Black)
			1095	691581	Gasket Set-Valve	1270	697156	Plug-AVS Counterweight
			1119	691183	Screw (Alternator)	1330	272147	Repair Manual
			1127	695407	Screw (Float Bowl)			

★ Included in Engine Gasket Set-Ref. No.358.

● Included in Carburetor Overhaul Kit-Ref. No. 121 or 121A.

◆ Included in Carburetor Gasket Set-Ref. No. 977 or 977A.

△ Included in Valve Gasket Set-Ref. No 1095.

Illustrations cover a range of engines. Parts shown without corresponding text may not be used on your specific engine.