



# Illustrated Parts List

## Model Series

# 21A400

TYPE NUMBERS  
0017 through 0540.

### TABLE OF CONTENTS

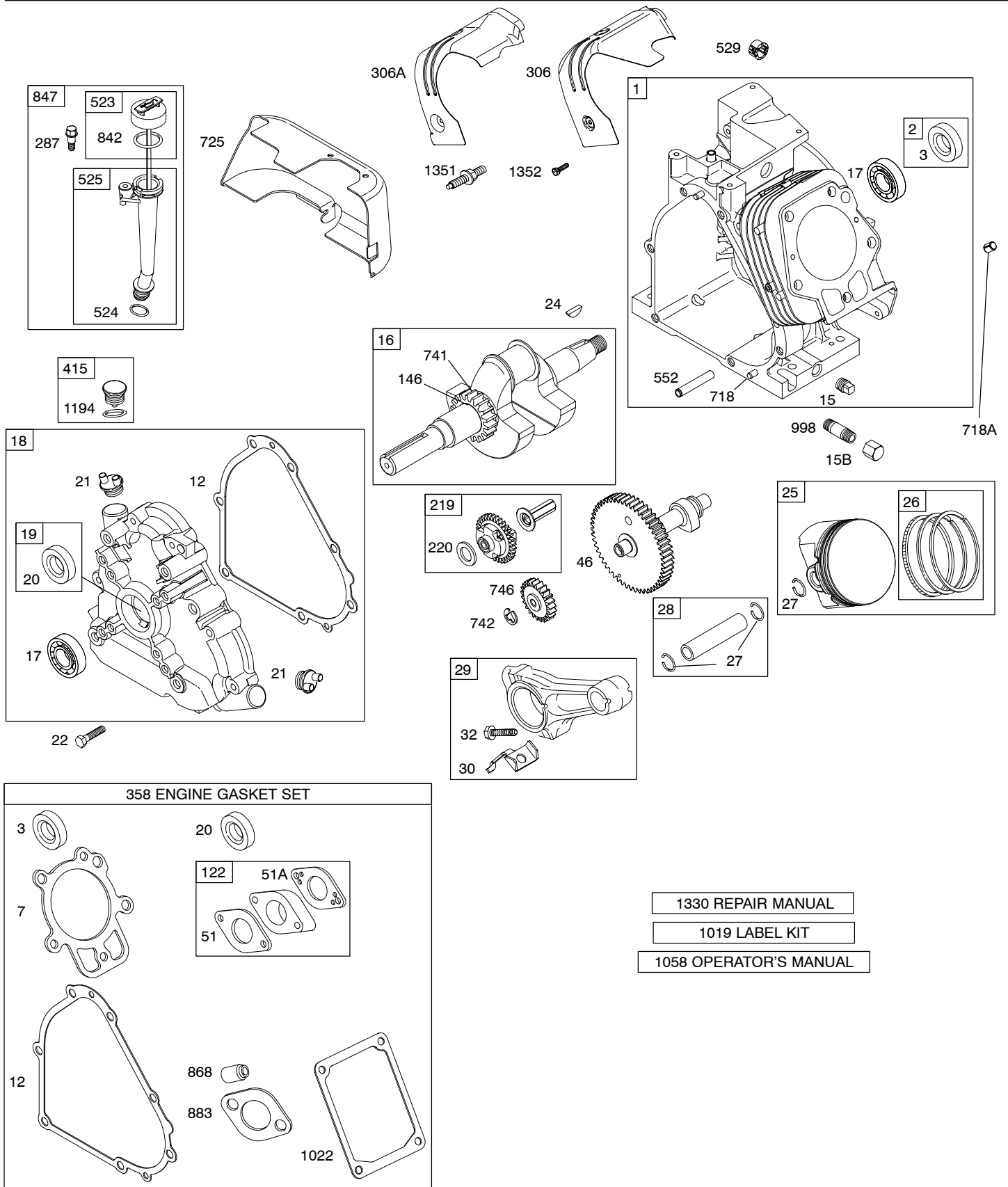
Alternator .....	7
Blower Housing/Shrouds .....	5
Camshaft .....	2
Carburetor .....	4
Controls .....	6
Crankcase Cover .....	2
Crankshaft .....	2
Cylinder .....	2
Cylinder Head .....	3
Electric Starter .....	7
Exhaust System .....	5
Flywheel .....	5
Fuel Supply .....	7
Governor Spring .....	6
Ignition .....	7
Kit/Gasket Sets - Carburetor .....	4
Kit/Gasket Sets - Engine .....	2
Kit/Gasket Sets - Valves .....	3
Lubrication .....	2
Piston Group .....	2
Rewind Starter .....	5
Valves .....	3



PRINTED IN U.S.A.

COPYRIGHT by BRIGGS & STRATTON CORPORATION  
All rights reserved. No part of this material may be reproduced or transmitted, in any form or by any means, electronic or mechanical, including photocopying, recording or by any information storage and retrieval system, without permission in writing from Briggs & Stratton Corporation.

# 21A400

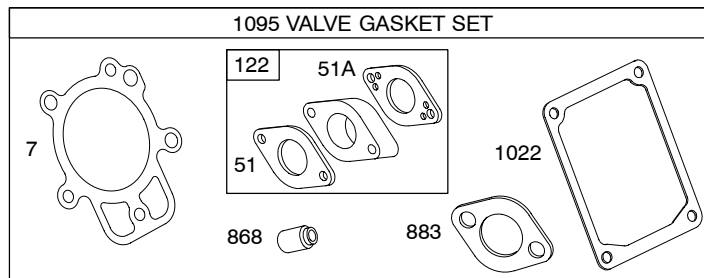
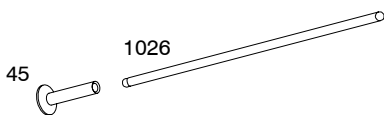
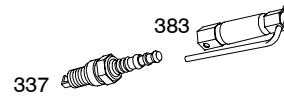
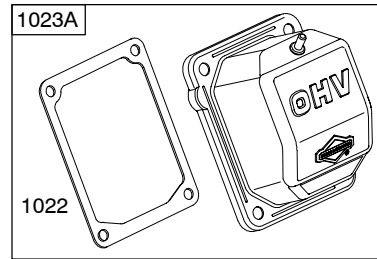
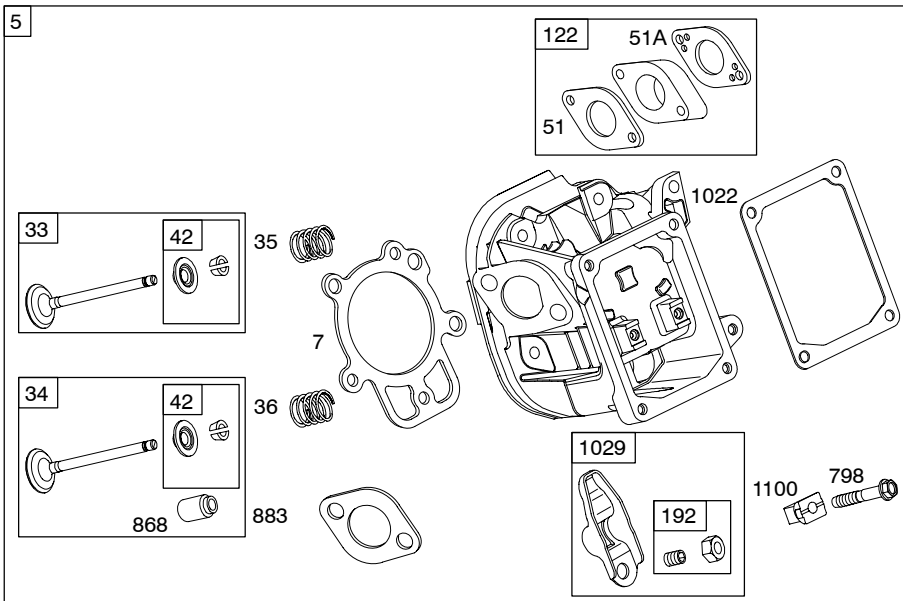
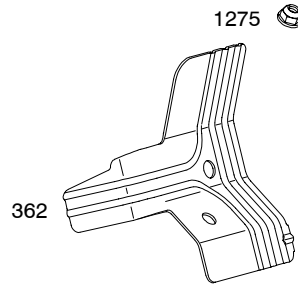


Illustrations cover a range of engines. Parts shown without corresponding text are not used on this engine.

5317-2

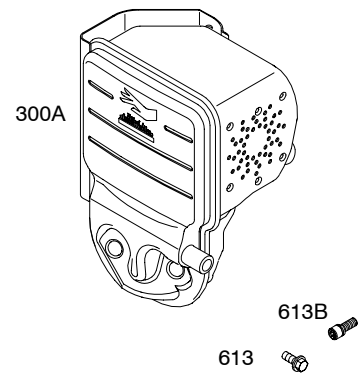
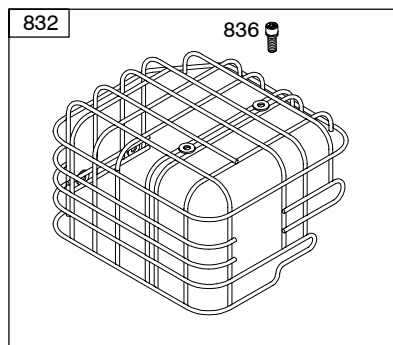
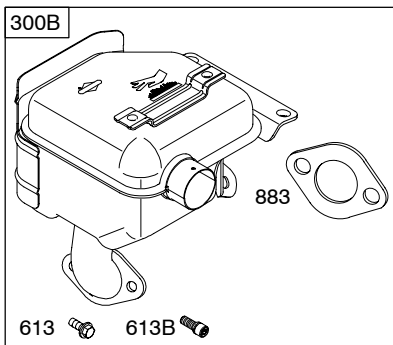
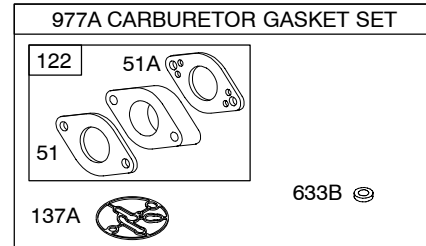
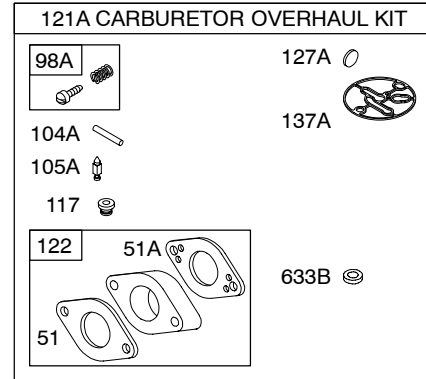
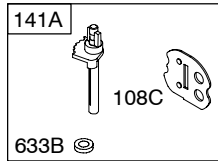
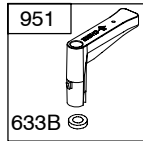
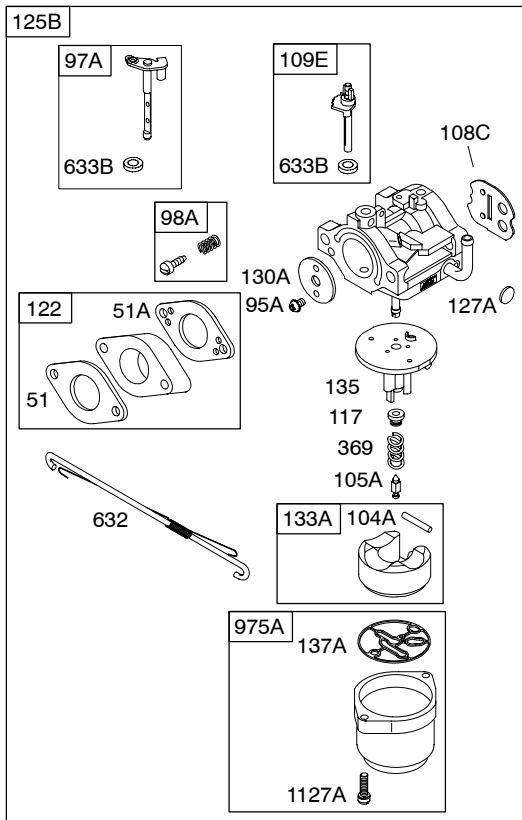
Assemblies include all parts shown in frames.

08/23/2005



Illustrations cover a range of engines. Parts shown without corresponding text are not used on this engine.

# 21A400

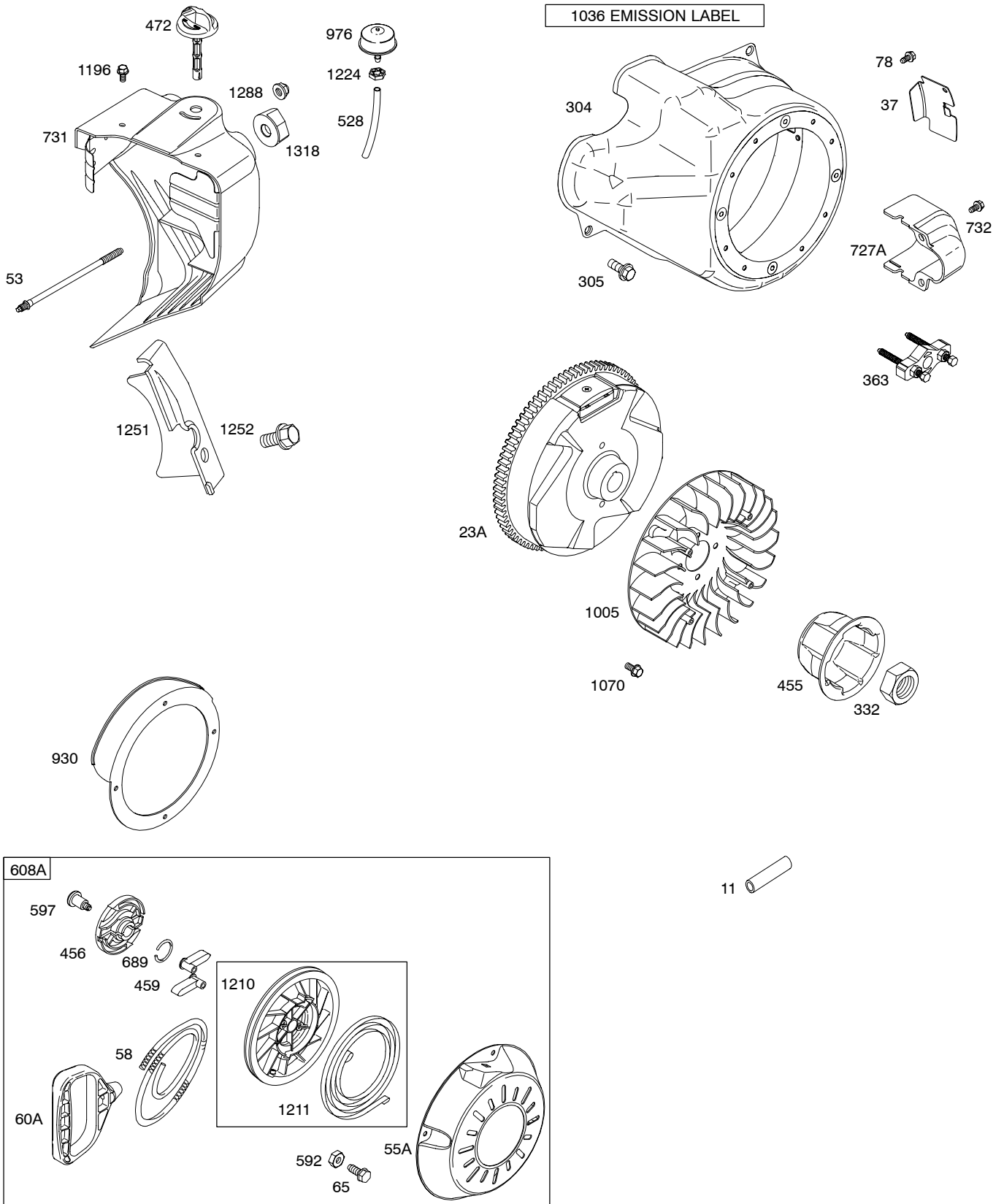


Illustrations cover a range of engines. Parts shown without corresponding text are not used on this engine.

5317-4

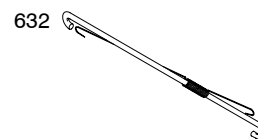
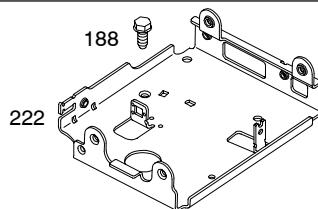
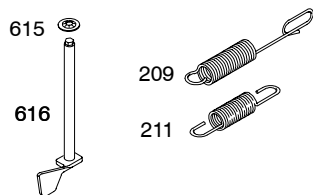
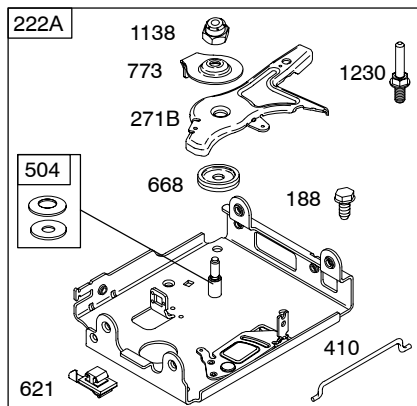
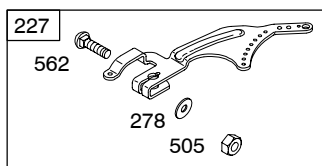
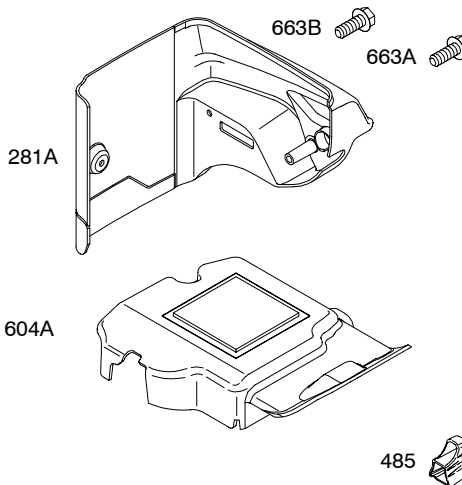
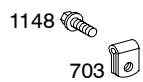
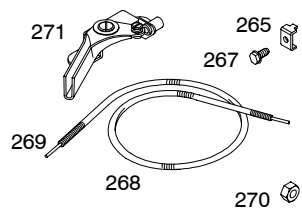
Assemblies include all parts shown in frames.

08/23/2005

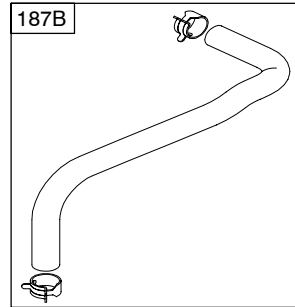
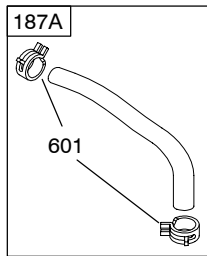
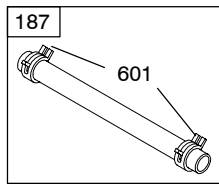
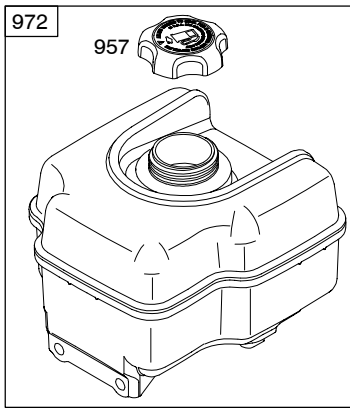



*Illustrations cover a range of engines. Parts shown without corresponding text are not used on this engine.*

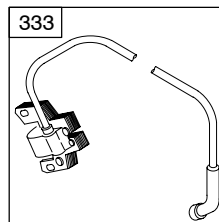
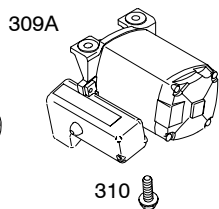
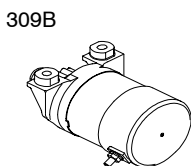
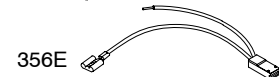
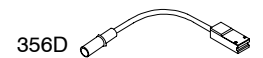
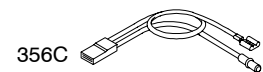
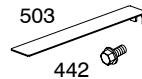
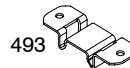
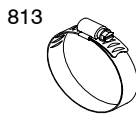
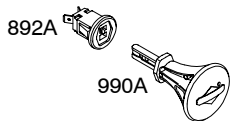
# 21A400



*Illustrations cover a range of engines. Parts shown without corresponding text are not used on this engine.*



DC ONLY	DUAL CIRCUIT	10 - 16 AMP
<p><b>NOTE:</b> All stators use a No. 1119 mounting screw. </p> <p><b>NOTE:</b> The proper flywheel part number and/or the alternator magnet size will determine the alternator type or output. See repair instruction manual for additional information.</p>		



Illustrations cover a range of engines. Parts shown without corresponding text are not used on this engine.

# 21A400

REF. NO.	PART NO.	DESCRIPTION	REF. NO.	PART NO.	DESCRIPTION	REF. NO.	PART NO.	DESCRIPTION	
1	697702	Cylinder Assembly	25	697693	Piston Assembly (Standard)			(Carburetor)	
2	698340	Kit-Bushing/Seal (Magneto Side)			----- <b>Note</b> -----	55A	696710	Housing-Rewind Starter	
3	★391086	Seal-Oil (Magneto Side)			697694 Piston Assembly (.010" Oversize)	58	693389	Rope-Starter Cut to Required Length)	
5	697233	Head-Cylinder (Used After Code Date 01102800).			697695 Piston Assembly (.020" Oversize)	60A	695740	Grip-Starter Rope	
		----- <b>Note</b> -----			697696 Piston Assembly (.030" Oversize)	65	697725	Screw (Rewind Starter) Used on Type No(s). 0019.	
		698040 Head-Cylinder (Used Before Code Date 01102900).	26	697692	Ring Set (Standard)	78	695724	Screw (Flywheel Guard) Used on Type No(s). 0100, 0105, 0113, 0371.	
7	★△697690	Gasket-Cylinder Head			----- <b>Note</b> -----	95A	690718	Screw (Throttle Valve)	
11	696750	Tube-Breather			697697 Ring Set (.010" Oversize)	97A	696387	Shaft-Throttle	
12	★694953	Gasket-Crankcase			697698 Ring Set (.020" Oversize)	98A	●695408	Kit-Idle Speed	
13	690360	Screw (Cylinder Head)			697699 Ring Set (.030" Oversize)	104A	●694918	Pin-Float Hinge	
15	691686	Plug-Oil Drain (Square Head)	27	690975	Lock-Piston Pin	105A	●696136	Valve-Float Needle	
15B	695757	Plug-Oil Drain	28	696581	Pin-Piston	108C	696736	Valve-Choke	
16	695369	Crankshaft	29	694691	Rod-Connecting	109E	696735	Shaft-Choke	
		----- <b>Note</b> -----	30	694692	Dipper-Connecting Rod	117	●696134	Jet-Main (Standard)	
		696412 Crankshaft Used on Type No(s). 0017, 0112, 0164, 0205.	32	690976	Screw (Connecting Rod)	118	696135	Jet-Main (High Altitude)	
		695462 Crankshaft Used on Type No(s). 0111.	33	499596	Valve-Exhaust	121A	696146	Kit-Carburetor Overhaul (Nikki Carburetor)	
17	695434	Bearing-Ball	34	697464	Valve-Intake			122★△◆694876 Spacer-Carburetor	
18	696914	Cover-Crankcase	35	694865	Spring-Valve (Intake)	125B	696737	Carburetor	
19	698340	Kit-Bushing/Seal (PTO Side)	36	694865	Spring-Valve (Exhaust)	127A	●690727	Plug-Welch	
20	★391086	Seal-Oil (PTO Side)	37	699047	Guard-Flywheel	130A	696139	Valve-Throttle	
21	281658	Cap-Oil Fill	42	499586	Keeper-Valve	133A	694914	Float-Carburetor	
22	695174	Screw (Crankcase Cover/ Sump)	45	690977	Tappet-Valve	135	696142	Tube-Fuel Transfer	
23A	695485	Flywheel	46	490496	Camshaft	137A	◆695426	Gasket-Float Bowl	
24	222698	Key-Flywheel	51★△◆694874	Gasket-Intake	51A★△◆694875	Gasket-Intake	141A	699979	Kit-Choke Shaft
			53	696753	Stud	146	690979	Key-Timing	

★ Included in Engine Gasket Set-Ref. No.358.

● Included in Carburetor Overhaul Kit-Ref. No. 121 & 121A.

◆ Included in Carburetor Gasket Set-Ref. No. 977 & 977A.

△ Included in Valve Gasket Set-Ref. No 1095.

**Illustrations cover a range of engines. Parts shown without corresponding text are not used on this engine.**



**21A400**

REF. NO.	PART NO.	DESCRIPTION	REF. NO.	PART NO.	DESCRIPTION	REF. NO.	PART NO.	DESCRIPTION
187	791766	Line-Fuel (Cut to Required Length) (Used After Code Date 05063000). ----- <b>Note</b> ----- 691050 Line-Fuel (Used Before Code Date 05070100)	227	694864	Lever-Governor Control	305	691108	Screw (Blower Housing)
187A	791869	Line-Fuel (Used After Code Date 05063000). ----- <b>Note</b> ----- 695429 Line-Fuel (Used Before Code Date 05070100)	529	791822	Grommet	306	694677	Shield-Cylinder (Used Before Code Date 01102900).
187B	791879	Line-Fuel (Used After Code Date 05063000). Used on Type No(s). 0134, 0163, 0164, 0205, 0371. ----- <b>Note</b> ----- 698080 Line-Fuel (Used Before Code Date 05070100) Used on Type No(s). 0134, 0163, 0164, 0205, 0371.	265	691024	Clamp-Casing Used on Type No(s). 0111.	306A	697240	Shield-Cylinder (Used After Code Date 01102800).
188	690877	Screw (Control Bracket)	267	692577	Screw (Casing Clamp)	307	691660	Screw (Cylinder Shield)
190	692127	Screw (Fuel Tank)	268	691025	Casing-Control Wire (Cut to Required Length)	309		Motor-Starter (For Replacement Starter Motor, Order Ref 309A)
192	690083	Adjuster-Rocker Arm	269	691026	Wire-Control (Cut to Required Length)	309A	698311	Motor-Starter Used on Type No(s). 0017, 0112, 0134, 0205, 0540. ----- <b>Note</b> ----- 698608 Motor-Starter Used on Type No(s). 0163, 0164, 0371. 792157 Motor-Starter Used on Type No(s). 0215.
209	694867	Spring-Governor	270	691027	Nut (Control Wire Casing)	309B	698162	Motor-Starter Used on Type No(s). 0111.
211	695307	Spring-Governor Idle	271	698035	Lever-Control	310	698113	Screw (Starter Motor)
219	693578	Gear-Governor	271B	695381	Lever-Control Used on Type No(s). 0111.	318	690372	Screw (Mounting Bracket)
220	691724	Washer (Governor Gear)	278	792008	Washer (Governor Control Lever)	332	694685	Nut (Flywheel)
222A	698161	Bracket-Control Used on Type No(s). 0111. ----- <b>Note</b> ----- 698034 Bracket-Control Used on Type No(s). 0017, 0019, 0100, 0105, 0112,0113, 0134, 0163, 0164, 0205, 0371, 0540.	281A	697400	Panel-Control (Used After Code Date 01102800). ----- <b>Note</b> ----- 696703 Panel-Control (Used Before Code Date 01102900). 698081 Panel-Control Used on Type No(s). 0019, 0134, 0163, 0164, 0205, 0371.	333	715231	Armature-Magneto
			287	691693	Screw (Dipstick/Tube)	334	691061	Screw (Magneto Armature)
			300A	699211	Muffler ----- <b>Note</b> ----- 698160 Muffler Used on Type No(s). 0017, 0111, 0112, 0163,0164, 0371.	337	491055	Plug-Spark ----- <b>Note</b> ----- 691043 Plug-Spark Used on Type No(s). 0105, 0113.
			300B	699222	Muffler			
			304	697469	Housing-Blower (Used After Code Date 01102800). ----- <b>Note</b> ----- 696476 Housing-Blower (Used Before Code Date 01102900). 699339 Housing-Blower Used on Type No(s). 0111.			

★ Included in Engine Gasket Set-Ref. No.358.

● Included in Carburetor Overhaul Kit-Ref. No. 121 & 121A.

◆ Included in Carburetor Gasket Set-Ref. No. 977 & 977A.

△ Included in Valve Gasket Set-Ref. No 1095.

**Illustrations cover a range of engines. Parts shown without corresponding text are not used on this engine.**

# 21A400

REF. NO.	PART NO.	DESCRIPTION	REF. NO.	PART NO.	DESCRIPTION	REF. NO.	PART NO.	DESCRIPTION
356C	698165	Wire Stop	485	695755	Knob-Control	608A	699335	Starter-Rewind
356D	696748	Wire-Stop	493	691177	Bracket-Mounting	613	695312	Screw (Muffler)
356E	696700	Wire-Stop	493A	699048	Bracket-Mounting Used on Type No(s). 0113.			----- <b>Note</b> ----- <b>691678</b> Screw Used on Type No(s). 0113.
		----- <b>Note</b> ----- <b>699340</b> Wire-Stop Used on Type No(s). 0111.	501	698315	Regulator Used on Type No(s). 0017, 0112, 0113, 0215.	613B	696705	Screw (Muffler) (Torx Head)
358	695438	Gasket Set-Engine	503	698318	Strap-Starter Used on Type No(s). 0017, 0112, 0215.	615	694676	Retainer-Governor Shaft
362	698041	Shield-Spark Plug (Used After Code Date 02051200). ----- <b>Note</b> ----- <b>696759</b> Shield-Spark Plug (Used Before Code Date 02051300).	504	695383	Washer Set-Friction	616	694675	Crank-Governor
			505	691251	Nut (Governor Control Lever)	621	692310	Switch-Stop
363	19069	Puller-Flywheel	523	695344	Dipstick	632	695917	Link-Throttle (Used With Nikki Carburetor)
369	695422	Spring-Float Bowl	524	691876	Seal-Dipstick Tube	633B ♦	690998	Seal-Choke/Throttle Shaft
383	19374	Wrench-Spark Plug	525	695343	Tube-Dipstick	635	710901	Boot-Spark Plug
			526	690297	Screw (Regulator)	663A	696685	Screw (Control Panel)
410	695382	Link-Control	528	696751	Hose-Primer	663B	696704	Screw (Control Panel)
415	691363	Plug	529	791822	Grommet	668	694257	Spacer (Control Bracket)
442	790282	Screw (Starter Strap)	552	694674	Bushing-Governor Crank	689	691855	Spring-Friction
455	697226	Cup-Flywheel	562	691119	Bolt (Governor Control Lever)	703	698320	Clip Used on Type No(s). 0017, 0112.
456	692299	Plate-Pawl Friction	564	696692	Screw (Control Cover)	718	690959	Pin-Locating (Cylinder)
459	281505	Pawl-Ratchet	578	692306	Wire Assembly	718A	695178	Pin-Locating (Head)
472	696752	Knob-Choke Shaft	579	691029	Nut Used on Type No(s). 0111.	725	696756	Shield-Heat (Control Bracket)
474A	695730	Alternator Used on Type No(s). 0134, 0163, 0164. <b>791743</b> Alternator Used on Type No(s). 0540.	597	691696	Screw (Pawl Friction Plate)			
474B	698230	Alternator (Dual Circuit) Used on Type No(s). 0017, 0134, 0205, 0371. <b>696742</b> -Alternator (Dual Circuit Used on Type No(s). 0019 <b>698314</b> -Alternator (Dual Circuit) Used on Type No(s). 0112, 0113.	601	95162	Clamp-Hose			
			604A	696758	Cover-Control			
474D	695466	Alternator (10Amp) Used on Type No(s). 0111.						

★ Included in Engine Gasket Set-Ref. No.358.

● Included in Carburetor Overhaul Kit-Ref. No. 121 & 121A.

◆ Included in Carburetor Gasket Set-Ref. No. 977 & 977A.

△ Included in Valve Gasket Set-Ref. No 1095.

**Illustrations cover a range of engines. Parts shown without corresponding text are not used on this engine.**

5317-10

Assemblies include all parts shown in frames.

08/23/2005

**21A400**

REF. NO.	PART NO.	DESCRIPTION	REF. NO.	PART NO.	DESCRIPTION	REF. NO.	PART NO.	DESCRIPTION		
<b>727A</b>	<b>697465</b>	Cover–Starter Drive	<b>883</b>	<b>★Δ697255</b>	Gasket–Exhaust (Used After Code Date 02011900). ----- <b>Note</b> -----	<b>975A</b>	<b>696138</b>	Bowl–Float		
<b>731</b>	<b>790222</b>	Hood–Snow (Used After Code Date 01102800). ----- <b>Note</b> -----				<b>976</b>	<b>790221</b>	Primer–Carburetor (Used After Code Date 04061500). ----- <b>Note</b> -----		
		<b>696755</b> Hood–Snow (Used Before Code Date 01102900).			<b>695398</b> Gasket Exhaust (Used Before Code Date 02012000			<b>695750</b> Primer– Carburetor (Used Before Code Date 04061600).		
<b>732</b>	<b>691097</b>	Screw (Starter Drive Cover)	<b>892A</b>	<b>★Δ696749</b>	Switch–Key	<b>977A</b>	<b>696147</b>	Gasket Set–Carburetor (Used With Nikki Carburetor)		
<b>741</b>	<b>691288</b>	Gear–Timing	<b>914</b>	<b>693732</b>	Screw (Rocker Cover)			<b>990A</b>	<b>695756</b>	Key Set
<b>742</b>	<b>692564</b>	Retainer–E Ring	<b>930</b>	<b>696709</b>	Guard–Rewind	<b>998</b>	<b>696683</b>	Pipe–Oil		
<b>746</b>	<b>694679</b>	Gear–Idler	<b>951</b>	<b>699961</b>	Lever–Choke	<b>1005</b>	<b>694684</b>	Fan–Flywheel		
<b>773</b>	<b>694258</b>	Retainer	<b>957</b>	<b>694261</b>	Cap–Fuel Tank (Plastic) Used on Type No(s). 0017, 0019, 0100, 0112, 0113. ----- <b>Note</b> -----	<b>1009</b>	<b>698113</b>	Screw (Starter Motor) Used on Type No(s). 0017, 0111, 0112, 0134, 0163, 0164, 0371.		
<b>798</b>	<b>697890</b>	Screw (Rocker Arm)			<b>698109</b> Cap–Fuel Tank (Plastic) Used on Type No(s). 0111, 0134, 0163, 0164, 0205, 0371, 0540.	<b>1019</b>	<b>696745</b>	Kit–Label		
<b>799</b>	<b>690297</b>	Screw (Oil Sensor)				<b>1022</b>	<b>★Δ690971</b>	Gasket–Rocker Cover		
<b>813</b>	<b>690635</b>	Clamp				<b>1023A</b>	<b>698042</b>	Cover–Rocker (Used After Code Date 02051200). ----- <b>Note</b> -----		
<b>832</b>	<b>699223</b>	Guard–Muffler	<b>958</b>	<b>698180</b>	Valve–Fuel Shut Off (Plastic)			<b>697438</b> Cover–Rocker (Used Before Code Date 02051300).		
<b>836</b>	<b>691003</b>	Screw (Muffler Guard)	<b>972</b>	<b>695728</b>	Tank–Fuel (Plastic) Used on Type No(s). 0117, 0019, 0100, 0105, 0112, 0113. ----- <b>Note</b> -----	<b>1026</b>	<b>695177</b>	Rod–Push		
<b>842</b>	<b>691031</b>	Seal–O Ring (Dipstick Tube)			<b>694260</b> Tank–Fuel (Plastic) Used on Type No(s). 0111, 0134, 0163, 0164, 0205, 0371, 0540.	<b>1029</b>	<b>690972</b>	Arm–Rocker		
<b>847</b>	<b>695342</b>	Dipstick/Tube Assembly								
<b>868</b>	<b>★Δ690968</b>	Seal–Valve								
<b>877</b>	<b>393537</b>	Wire Connector– Alternator								
<b>877A</b>	<b>393456</b>	Wire Connector– Alternator Used on Type No(s). 0019.								
<b>877C</b>	<b>393814</b>	Wire Connector– Alternator Used on Type No(s). 0163.								

★ Included in Engine Gasket Set–Ref. No.358.

● Included in Carburetor Overhaul Kit–Ref. No. 121 & 121A.

◆ Included in Carburetor Gasket Set–Ref. No. 977 & 977A.

Δ Included in Valve Gasket Set–Ref. No 1095.

**Illustrations cover a range of engines. Parts shown without corresponding text are not used on this engine.**

## 21A400

REF. NO.	PART NO.	DESCRIPTION	REF. NO.	PART NO.	DESCRIPTION	REF. NO.	PART NO.	DESCRIPTION
1036	790467	Label-Emissions (Used After Code Date 04063000). ----- <b>Note</b> ----- 698179 Label-Emissions (Used After Code Date 02063000 and Before Code Date 04070100). 695703 Label-Emissions (Used Before Code Date 02070100).	1127A	695407	Screw (Float Bowl)	1224	696824	Nut (Carburetor Primer)
			1138	694255	Nut (Control Bracket)	1230	696747	Stud (Control Bracket)
			1148	698418	Screw (Clip) Used on Type No(s). 0017, 0112.	1251	696762	Shield-Snow
			1171	696754	Stud (Rocker Cover)	1252	696763	Screw (Snow Shield)
			1194	691876	Seal-O Ring (Plug)	1275	696757	Nut (Rocker Cover)
			1196	699166	Screw (Snow Hood)	1288	696757	Nut (Snow Hood)
1058	275697	Operator's Manual	1210	498144	Pulley/Spring Assembly (Pulley)	1318	698111	Knob-Snow Hood Used on Type No(s). 0134, 0163, 0164, 0205, 0371, 0540.
1070	691058	Screw (Flywheel Fan)				1330	272147	Repair Manual
1095	695440	Gasket Set-Vaslve	1211	498144	Pulley/Spring Assembly (Spring)	1351	790017	Stud (Cylinder Shield)
1100	690973	Pivot-Rocker Arm				1352	790026	Nut (Spark Plug Shield)
1119	691183	Screw (Alternator)						

★ Included in Engine Gasket Set-Ref. No.358.

● Included in Carburetor Overhaul Kit-Ref. No. 121 & 121A.

◆ Included in Carburetor Gasket Set-Ref. No. 977 & 977A.

△ Included in Valve Gasket Set-Ref. No 1095.

**Illustrations cover a range of engines. Parts shown without corresponding text are not used on this engine.**

5317-12

Assemblies include all parts shown in frames.

08/23/2005