



Illustrated Parts List

Model Series

20G400

TYPE NUMBERS
0017 through 0222.

TABLE OF CONTENTS

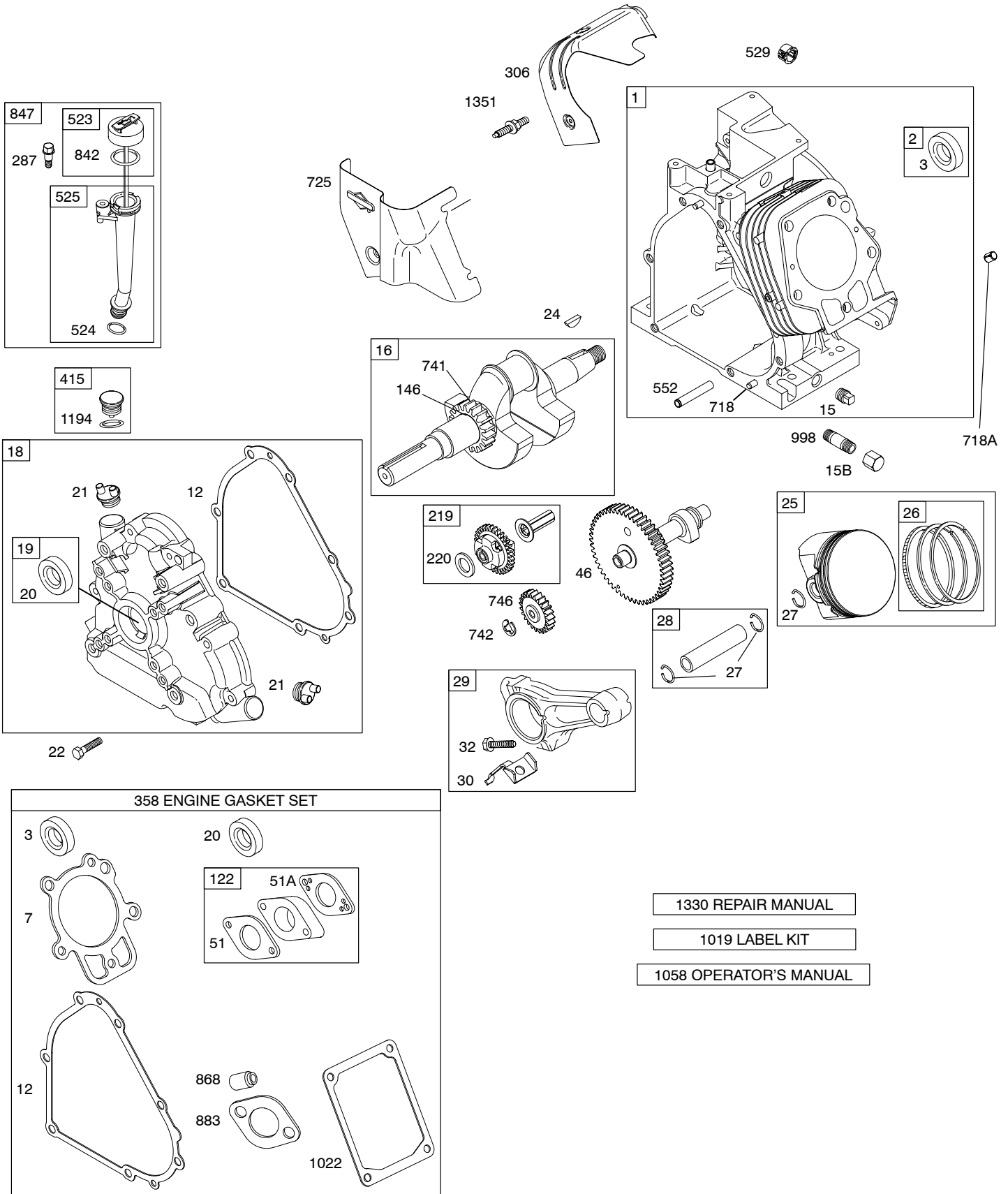
Air Cleaner	5
Alternator	9
Blower Housing/Shrouds	6
Camshaft	2
Carburetor	4
Controls	7
Crankcase Cover	2
Crankshaft	2
Cylinder	2
Cylinder Head	3
Electric Starter	9
Exhaust System	5
Flywheel	6
Fuel Supply	8
Governor Spring	7
Ignition	9
Kit/Gasket Sets - Carburetor	5
Kit/Gasket Sets - Engine	2
Kit/Gasket Sets - Valves	3
Lubrication	2
Piston, Rings, Connecting Rod	2
Rewind Starter	6
Valves	3



PRINTED IN U.S.A.

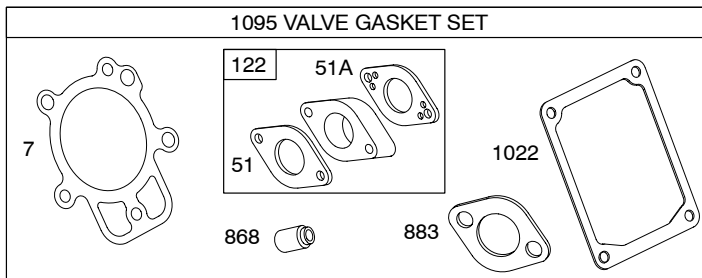
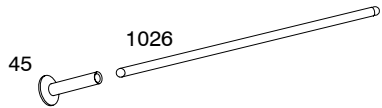
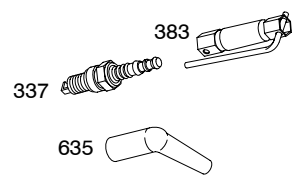
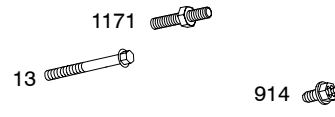
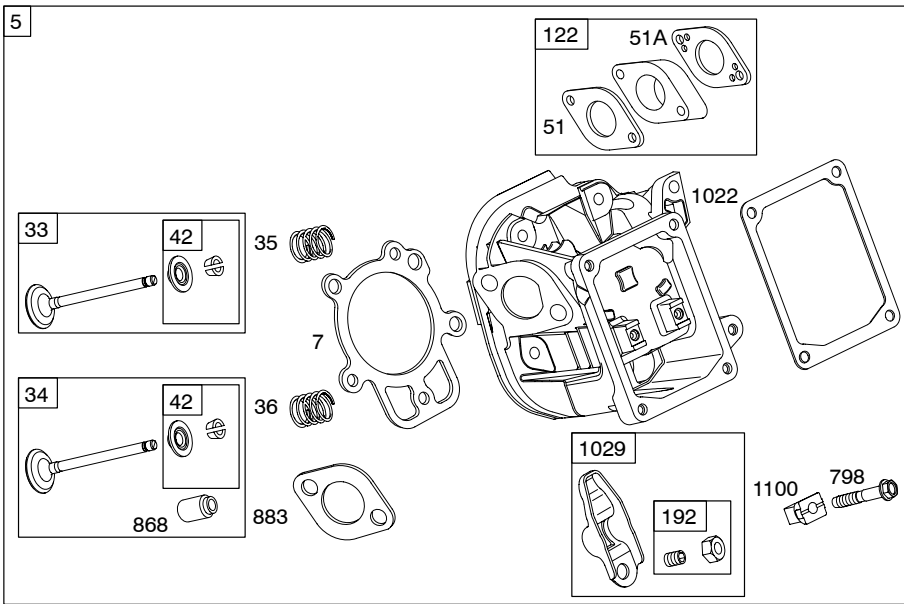
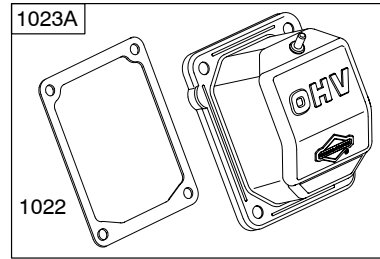
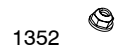
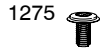
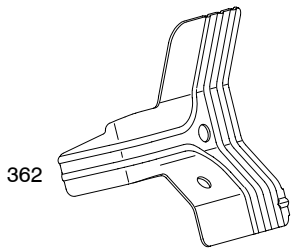
COPYRIGHT by BRIGGS & STRATTON CORPORATION
All rights reserved. No part of this material may be reproduced or transmitted, in any form or by any means, electronic or mechanical, including photocopying, recording or by any information storage and retrieval system, without permission in writing from Briggs & Stratton Corporation.

20G400



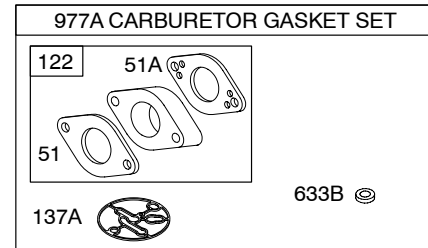
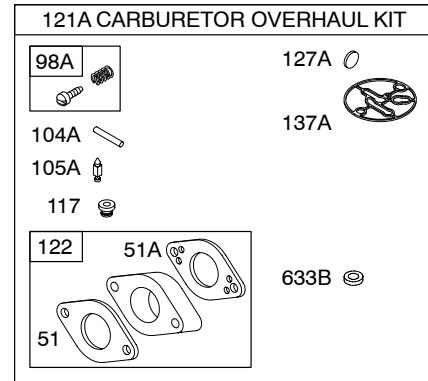
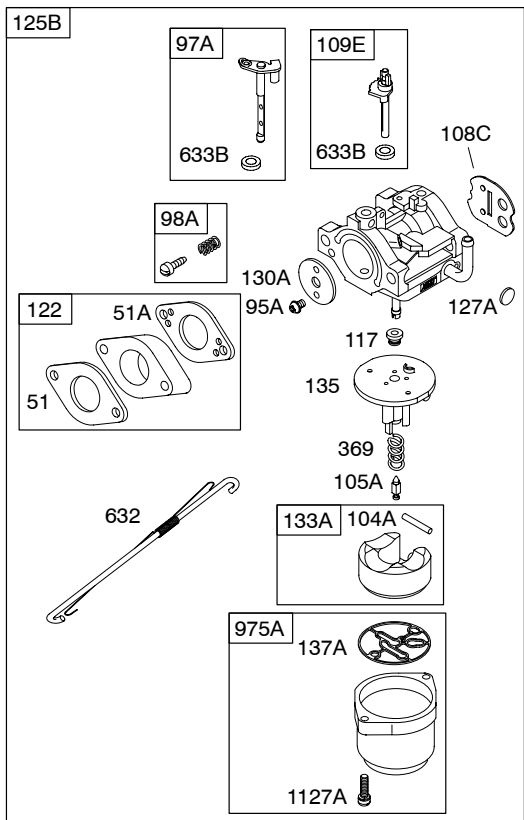
- 1330 REPAIR MANUAL
- 1019 LABEL KIT
- 1058 OPERATOR'S MANUAL

Illustrations cover a range of engines. Parts shown without corresponding text are not used on this engine.
 5547-2 Assemblies include all parts shown in frames. 09/24/2005

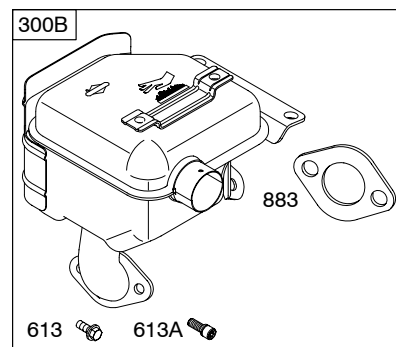
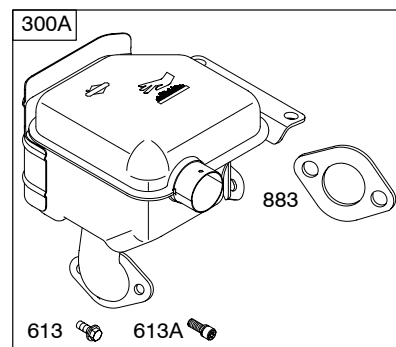
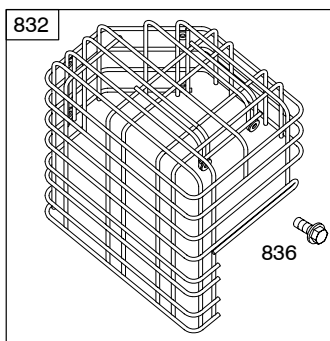
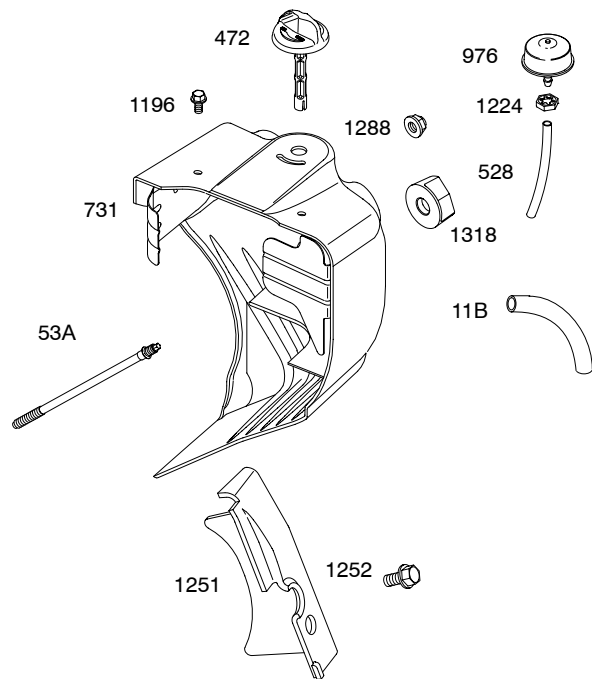


Illustrations cover a range of engines. Parts shown without corresponding text are not used on this engine.

20G400



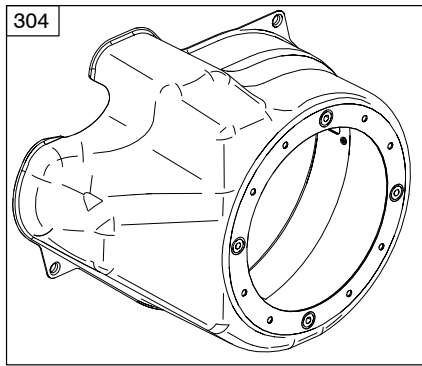
5547-4 *Illustrations cover a range of engines. Parts shown without corresponding text are not used on this engine.* Assemblies include all parts shown in frames. **09/24/2005**



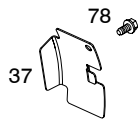
Illustrations cover a range of engines. Parts shown without corresponding text are not used on this engine.
 5547-5 Assemblies include all parts shown in frames. 09/24/2005

20G400

1036 EMISSION LABEL

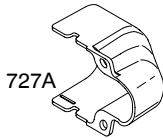


304



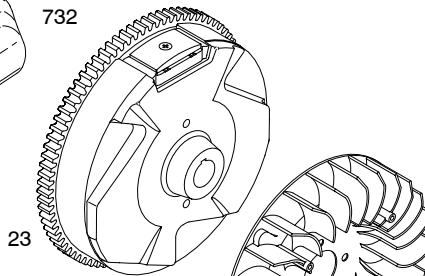
37

78



727A

732



23

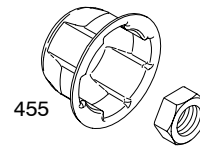
1005



305

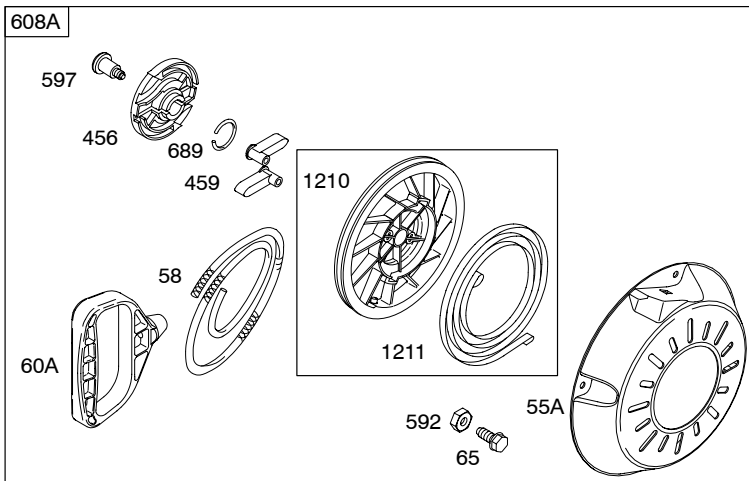


1070



455

332



608A

597

456

689

459

1210

1211

58

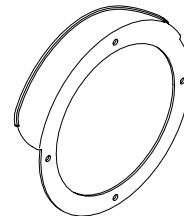
60A

592

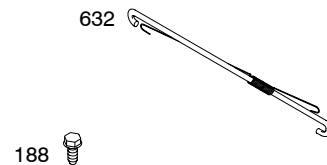
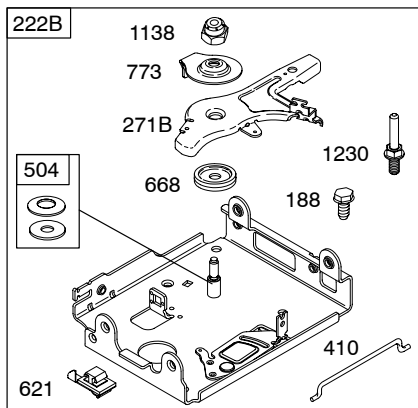
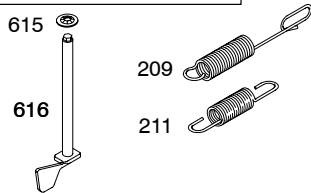
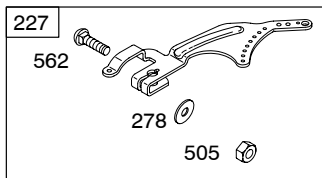
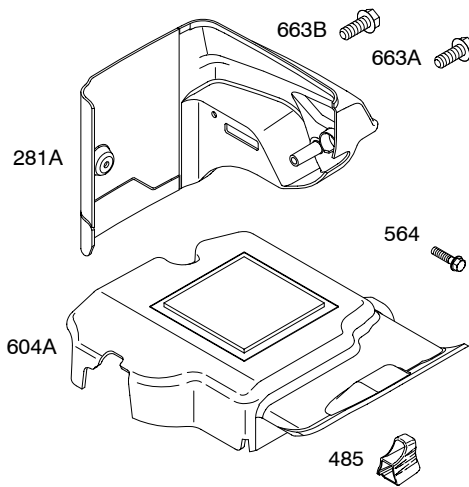
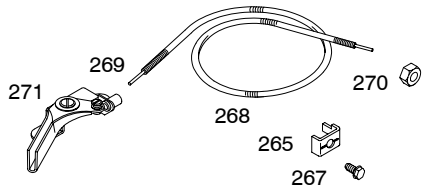
65

55A

930

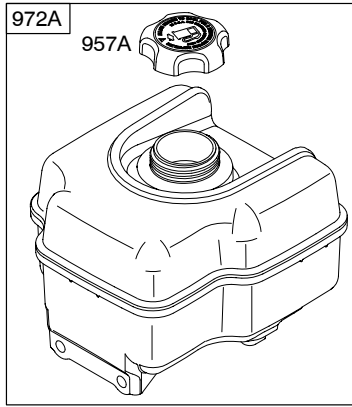


5547-6 *Illustrations cover a range of engines. Parts shown without corresponding text are not used on this engine.* Assemblies include all parts shown in frames. 09/24/2005

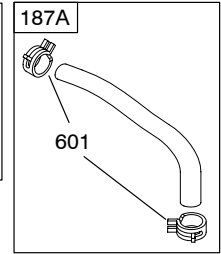
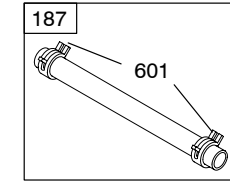


Illustrations cover a range of engines. Parts shown without corresponding text are not used on this engine.
 5547-7 Assemblies include all parts shown in frames. 09/24/2005

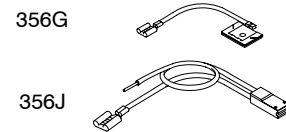
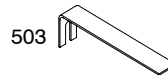
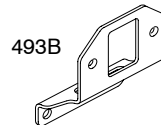
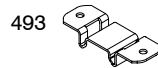
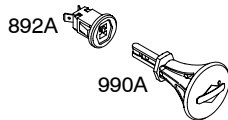
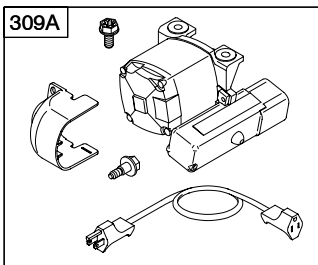
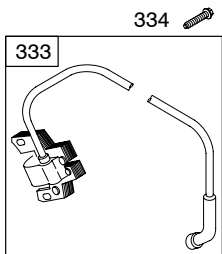
20G400



190



AC ONLY	DC ONLY	DUAL CIRCUIT	5 - 9 AMP
474 	474A 877A 	474H 877 	474C 877B
<p>NOTE: All stators use a No. 1119 mounting screw. </p> <p>NOTE: The proper flywheel part number and/or the alternator magnet size will determine the alternator type or output. See repair instruction manual for additional information.</p>		878 	526 501



Illustrations cover a range of engines. Parts shown without corresponding text are not used on this engine.

20G400

REF. NO.	PART NO.	DESCRIPTION	REF. NO.	PART NO.	DESCRIPTION	REF. NO.	PART NO.	DESCRIPTION	
1	695464	Cylinder Assembly	26	792026	Ring Set (Standard) (Used After Code Date 05081000)	78	695724	Screw (Flywheel Guard) Used on Type No(s). 0100, 0110.	
2	698340	Kit-Bushing/Seal (Magneto Side)			----- Note -----	95A	690718	Screw (Throttle Valve)	
3	★391086	Seal-Oil (Magneto Side)			694004 Ring Set (Standard) (Used Before Code Date 05081100)	97A	696387	Shaft-Throttle	
5	697233	Head-Cylinder			792073 Ring Set (.020" Oversize) (Used After Code Date 05081000)	98A	●695408	Kit-Idle Speed	
7	★△694872	Gasket-Cylinder Head			694008 Ring Set (.020" Oversize) (Used Before Code Date 05081100)	104A	●694918	Pin-Float Hinge	
11B	696750	Tube-Breather				105A	●696136	Valve-Float Needle	
12	★694953	Gasket-Crankcase				108C	696736	Valve-Choke	
13	690360	Screw (Cylinder Head)				109E	696735	Shaft-Choke	
15	691686	Plug-Oil Drain				117	●696134	Jet-Main (Standard)	
15B	695757	Plug-Oil Drain				118	696135	Jet-Main (High Altitude)	
16	696412	Crankshaft ----- Note ----- 695369 Crankshaft Used on Type No(s). 0100.	27	690975	Lock-Piston Pin	121A	696146	Kit-Carburetor Overhaul (Nikki Carburetor)	
18	696914	Cover-Crankcase	28	690229	Pin-Piston			122★△◆694876	Spacer-Carburetor
19	698340	Kit-Bushing/Seal (PTO Side)	29	694691	Rod-Connecting	125B	696737	Carburetor	
20	★391086	Seal-Oil (PTO Side)	30	694692	Dipper-Connecting Rod	127A	●690727	Plug-Welch	
21	281658	Cap-Oil Fill	32	690976	Screw (Connecting Rod)	130A	696139	Valve-Throttle	
22	695174	Screw (Crankcase Cover/ Sump)	33	499596	Valve-Exhaust	133A	694914	Float-Carburetor	
23	695485	Flywheel ----- Note ----- 790144 Flywheel Used on Type No(s). 0100.	34	697464	Valve-Intake	135	696142	Tube-Fuel Transfer	
24	222698	Key-Flywheel	35	694865	Spring-Valve (Intake)	137A	◆695426	Gasket-Float Bowl	
25	792117	Piston Assembly (Standard) ----- Note ----- 792144 Piston Assembly (.020" Oversize)	36	694865	Spring-Valve (Exhaust)	146	690979	Key-Timing	
			37	699047	Guard-Flywheel Used on Type No(s). 0100, 0110.				
			42	499586	Keeper-Valve				
			45	690977	Tappet-Valve				
			46	790496	Camshaft				
			51★△◆694874	Gasket-Intake					
			51A★△◆694875	Gasket-Intake					
			53A	696753	Stud (Carburetor)				
			55A	696710	Housing-Rewind Starter				
			58	693389	Rope-Starter				
			60A	695740	Grip-Starter Rope				
			65	697725	Screw (Rewind Starter)				

★ Included in Engine Gasket Set-Ref. No.358.

● Included in Carburetor Overhaul Kit-Ref. No. 121 & 121A.

◆ Included in Carburetor Gasket Set-Ref. No. 977 & 977A.

△ Included in Valve Gasket Set-Ref. No 1095.

Illustrations cover a range of engines. Parts shown without corresponding text are not used on this engine.

20G400

REF. NO.	PART NO.	DESCRIPTION	REF. NO.	PART NO.	DESCRIPTION	REF. NO.	PART NO.	DESCRIPTION
187	791766	Line-Fuel (Cut To Required Length) (Used After Code Date 05063000)	268	691025	Casing-Control Wire (Cut to Required Length)	333	715231	Armature-Magneto
		----- Note -----	269	691026	Wire-Control (Cut to Required Length)	334	691061	Screw (Magneto Armature)
		691050 Line-Fuel (Used Before Code Date 05070100)	270	691027	Nut (Control Wire Casing)	337	491055	Plug-Spark ----- Note -----
187A	791869	Line-Fuel (Used After Code Date 05063000)	271	696697	Lever-Control	356G	696748	Wire-Stop
		----- Note -----	271B	698035	Lever-Control	356J	696700	Wire-Stop
		791879 Line-Fuel (Used After Code Date 05063000)	278	792008	Washer (Governor Control Lever)	358	695438	Gasket Set-Engine
		Used on Type No(s). 0222.	281A	697400	Panel-Control ----- Note -----	362	698041	Shield-Spark Plug
		695429 Line-Fuel (Used Before Code Date 05070100)			698081 Panel-Control Used on Type No(s). 0222.	369	695422	Spring-Float Bowl
		698080 Line-Fuel (Used Before Code Date 05070100)	287	691693	Screw (Dipstick Tube)	383	19374	Wrench-Spark Plug
		Used on Type No(s). 0222.	300A	699211	Muffler Used on Type No(s). 0100, 0222.	410	695382	Link-Control
188	690877	Screw (Control Bracket)	300B	699222	Muffler Used on Type No(s). 0017, 0019, 0110, 0111, 0368.	415	691363	Plug
190	692127	Screw (Fuel Tank)	304	791479	Housing-Blower (Used After Code Date 01102800). ----- Note -----	455	697226	Cup-Flywheel
192	690083	Adjuster-Rocker Arm			791478 Housing-Blower (Used Before Code Date 01102900).	456	692299	Plate-Pawl Friction
209	694867	Spring-Governor	305	691108	Screw (Blower Housing)	459	281505	Pawl-Ratchet
211	695307	Spring-Governor Idle	306	697240	Shield-Cylinder	472	696752	Knob-Choke Shaft
219	693578	Gear-Governor	309A	698311	Motor-Starter Used on Type No(s). 0017, 0111. ----- Note -----	474	694457	Alternator Used on Type No(s). 0368.
220	691724	Washer (Governor Gear)			698112 Motor-Starter Used on Type No(s). 0019, 0222, 0368.	474A	695730	Alternator Used on Type No(s). 0222.
222B	698034	Bracket-Control	318	690372	Screw (Mounting Bracket)	474H	698230	Alternator Used on Type No(s). 0019.
227	694864	Lever-Governor Control	332	694685	Nut (Flywheel)	474C	698314	Alternator
265	691024	Clamp-Casing				485	695755	Knob-Control
267	692577	Screw (Casing Clamp)				493	691177	Bracket-Mounting
						493B	699048	Bracket-Mounting Used on Type No(s). 0110.
						501	698315	Regulator
						503	698318	Strap-Starter Used on Type No(s). 0017, 0111.
						504	695383	Washer Set-Friction
						505	691251	Nut (Governor Control Lever)
						523	695344	Dipstick
						524	691876	Seal-Dipstick Tube
						525	695343	Tube-Dipstick

★ Included in Engine Gasket Set-Ref. No.358.

● Included in Carburetor Overhaul Kit-Ref. No. 121 & 121A.

◆ Included in Carburetor Gasket Set-Ref. No. 977 & 977A.

△ Included in Valve Gasket Set-Ref. No 1095.

Illustrations cover a range of engines. Parts shown without corresponding text are not used on this engine.

20G400

REF. NO.	PART NO.	DESCRIPTION	REF. NO.	PART NO.	DESCRIPTION	REF. NO.	PART NO.	DESCRIPTION
526	690297	Screw (Regulator) Used on Type No(s). 0110.	725	696756	Shield-Heat	972A	694260	Tank-Fuel (Plastic)
			727A	697465	Cover-Starter Drive	975A	696138	Bowl-Float
			731	790222	Hood-Snow	976	790221	Primer-Carburetor (Used After Code Date 04061500).
528	696751	Hose-Primer	732	691097	Screw (Starter Drive Cover)	----- Note -----		
529	791822	Grommet	741	691288	Gear-Timing			695750 Primer-Carburetor (Used Before Code Date 04061600).
552	694674	Bushing-Governor Crank	742	692564	Retainer-E Ring	977A	696147	Gasket Set-Carburetor (Used With Nikki Carburetor)
562	691119	Bolt (Governor Control Lever)	746	694679	Gear-Idler	990A	695756	Key Set
564	696692	Screw (Control Cover)	773	694258	Retainer	998	696683	Pipe-Oil
592	690800	Nut (Rewind Starter)	798	697890	Screw (Rocker Arm)	1005	694684	Fan-Flywheel
597	691696	Screw (Pawl Friction Plate)	813	690635	Clamp	1019	695751	Kit-Label
601	95162	Clamp-Hose	832	699223	Guard-Muffler Used on Type No(s). 0019, 0110,0368.	1022	★△690971	Gasket-Rocker Cover
604A	696758	Cover-Control	836	691003	Screw (Muffler Guard)	1023A	698042	Cover-Rocker Arm
608A	699335	Starter-Rewind	842	691031	Seal-O Ring (Dipstick Tube)	1026	695177	Rod-Push
613	695312	Screw (Muffler)	847	695342	Dipstick-Tube Assembly	1029	690972	Arm-Rocker Label-Emissions (Available from an Authorized Briggs & Stratton Service Dealer)
613B	696705	Screw (Muffler) (Torx Head)	868	★△690968	Seal-Valve	1036		Operator's Manual
615	694676	Retainer-Governor Shaft	877	393537	Wire/Connector- Alternator	1058	275697	Screw (Flywheel Fan)
616	694675	Crank-Governor	877A	393456	Wire/Connector- Alternator	1070	691058	Gasket Set-Valve
621	692310	Switch-Stop	877B	393814	Wire/Connector- Alternator	1095	695440	Pivot-Rocker Arm
632	695917	Link-Throttle (Nikki)	878	398661	Harness-Alternator	1100	690973	Screw (Alternator)
633B	◆690998	Seal-Choke/Throttle Shaft	883	★△695398	Gasket-Exhaust	1119	691183	
635	710901	Boot-Spark Plug (Alternator)	892A	★△696749	Switch-Key			
663A	696685	Screw (Control Panel)	914	693732	Screw (Rocker Cover)			
663B	696704	Screw (Control Panel) (1-3/4" Long)	930	696709	Guard-Rewind			
668	694257	Spacer (Control Bracket)	957A	694261	Cap-Fuel Tank (Plastic)			
689	691855	Spring-Friction	958	698180	Valve-Fuel Shut Off (Plastic)			
697	698113	Screw (Drive Cap)						
718	690959	Pin-Locating (Cylinder)						
718A	695178	Pin-Locating (Head)						

★ Included in Engine Gasket Set-Ref. No.358.

● Included in Carburetor Overhaul Kit-Ref. No. 121 & 121A.

◆ Included in Carburetor Gasket Set-Ref. No. 977 & 977A.

△ Included in Valve Gasket Set-Ref. No 1095.

Illustrations cover a range of engines. Parts shown without corresponding text are not used on this engine.

20G400

REF. NO.	PART NO.	DESCRIPTION	REF. NO.	PART NO.	DESCRIPTION	REF. NO.	PART NO.	DESCRIPTION
1127A	695407	Screw (Float Bowl)	1210	498144	Pulley/Spring Assembly (Pulley)	1275	696692	Screw (Rocker Cover)
1138	694255	Nut (Control Bracket)	1211	498144	Pulley/Spring Assembly (Spring)	1288	696757	Nut (Snow Hood)
1171	696754	Stud (Rocker Cover)	1224	696824	Nut (Carburetor Primer)	1318	698111	Knob-Snow Hood
1194	691876	Seal-O Ring (Plug)	1230	696747	Stud (Control Bracket)	1330	272147	Repair Manual
1196	699166	Screw (Snow Hood) (Used After Code Date 03041300).	1251	696762	Shield-Snow	1351	790017	Stud (Cylinder Shield)
		----- Note -----	1252	691108	Screw (Snow Shield)	1352	790026	Nut (Spark-Plug Shield)
		696685 Screw (Snow Hood) (Used Before Code Date 03041400).						

★ Included in Engine Gasket Set-Ref. No.358.

● Included in Carburetor Overhaul Kit-Ref. No. 121 & 121A.

◆ Included in Carburetor Gasket Set-Ref. No. 977 & 977A.

△ Included in Valve Gasket Set-Ref. No 1095.

Illustrations cover a range of engines. Parts shown without corresponding text are not used on this engine.

5547-12

Assemblies include all parts shown in frames.

09/24/2005