



# Illustrated Parts List

## Model Series

# 20E200

TYPE NUMBERS  
0110 thru 0359.

### TABLE OF CONTENTS

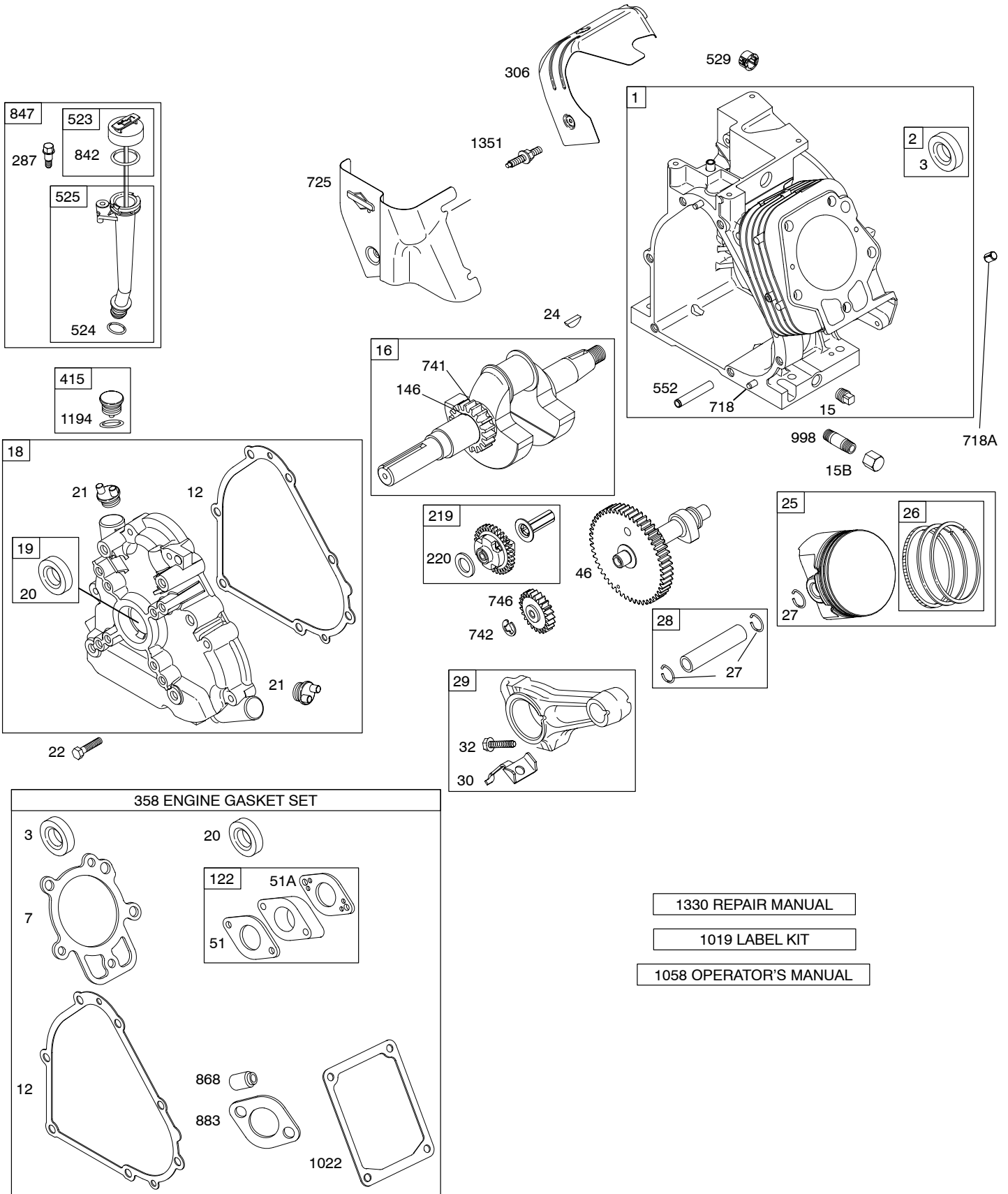
<b>Air Cleaner</b> .....	5
<b>Alternator</b> .....	8
<b>Blower Housing/Shrouds</b> .....	6
<b>Camshaft</b> .....	2
<b>Carburetor</b> .....	4
<b>Controls</b> .....	7
<b>Crankcase Cover</b> .....	2
<b>Crankshaft</b> .....	2
<b>Cylinder</b> .....	2
<b>Cylinder Head</b> .....	3
<b>Electric Starter</b> .....	8
<b>Exhaust System</b> .....	5
<b>Flywheel</b> .....	6
<b>Fuel Supply</b> .....	8
<b>Governor Spring</b> .....	7
<b>Ignition</b> .....	8
<b>Kit/Gasket Sets - Carburetor</b> .....	5
<b>Kit/Gasket Sets - Engine</b> .....	2
<b>Kit/Gasket Sets - Valves</b> .....	3
<b>Lubrication</b> .....	2
<b>Piston, Rings, Connecting Rod</b> .....	2
<b>Rewind Starter</b> .....	6
<b>Valves</b> .....	3

PRINTED IN U.S.A.

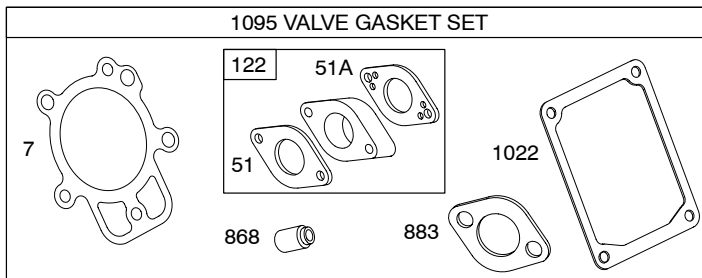
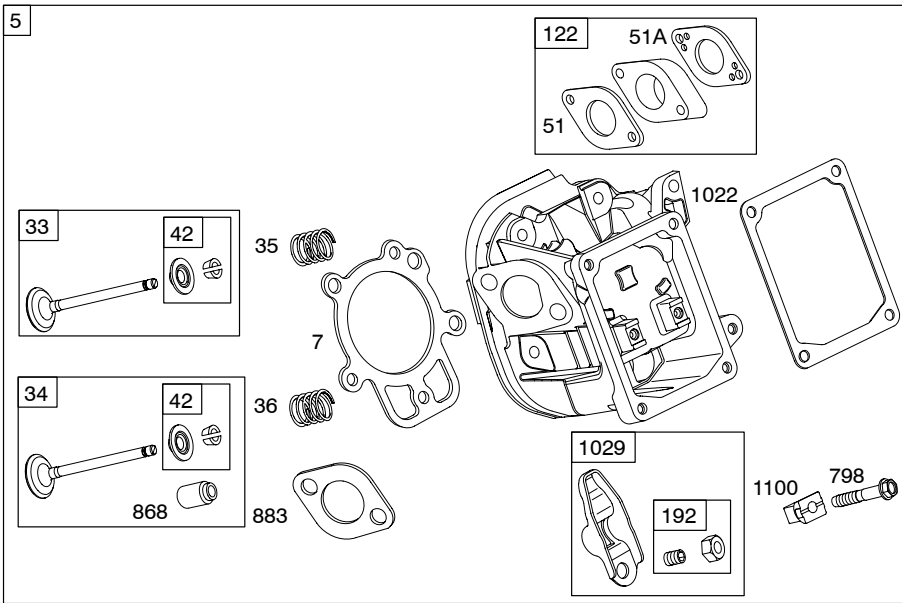
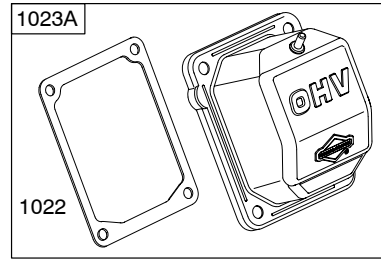
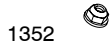
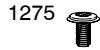
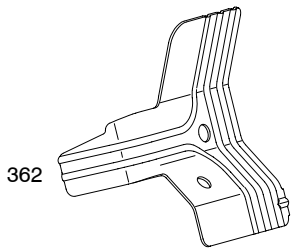


COPYRIGHT by BRIGGS & STRATTON CORPORATION  
All rights reserved. No part of this material may be reproduced or transmitted, in any form or by any means, electronic or mechanical, including photocopying, recording or by any information storage and retrieval system, without permission in writing from Briggs & Stratton Corporation.

**20E200**

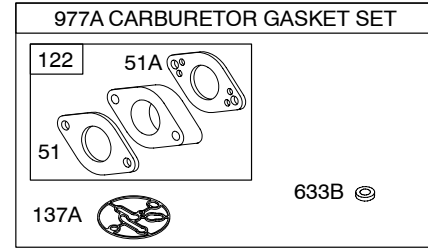
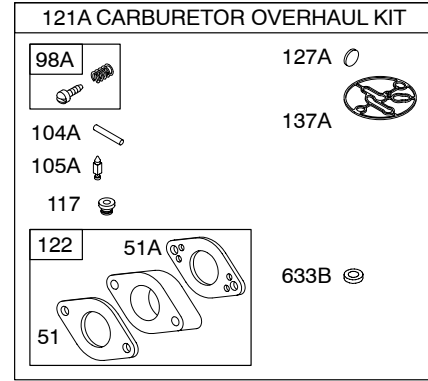
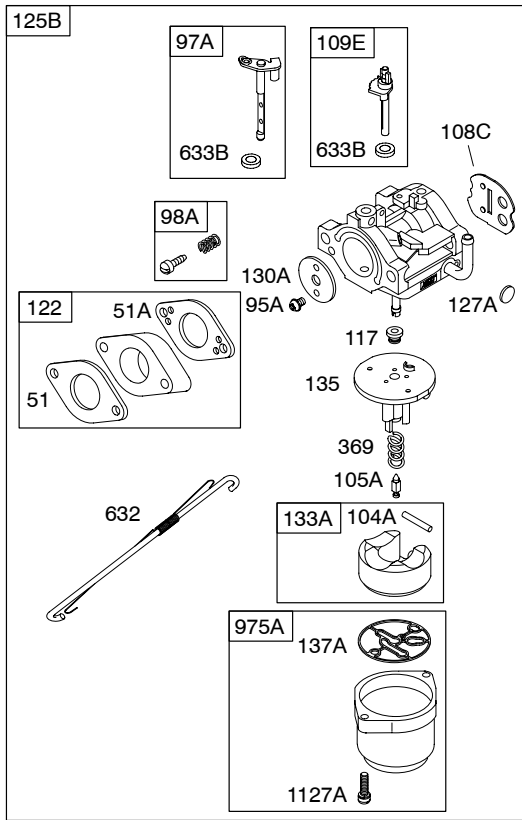


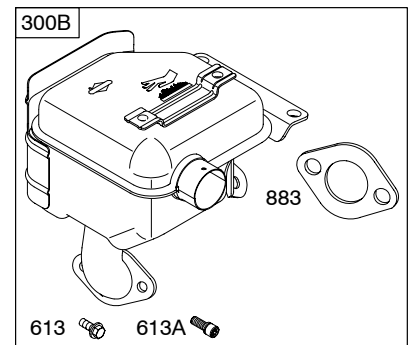
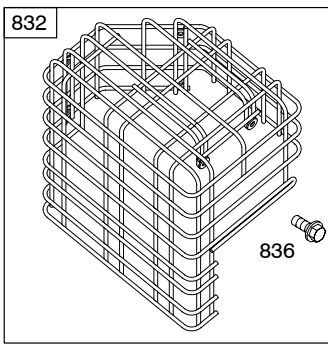
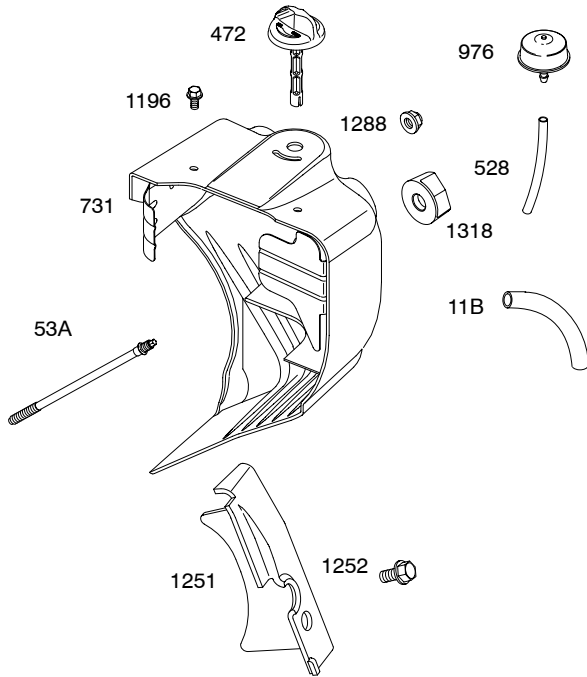
**Illustrations cover a range of engines. Parts shown without corresponding text are not used on this engine.**  
**3418-2** Assemblies include all parts shown in frames. **09/30/2005**



**3418-3** *Illustrations cover a range of engines. Parts shown without corresponding text are not used on this engine.* Assemblies include all parts shown in frames. **09/30/2005**

# 20E200

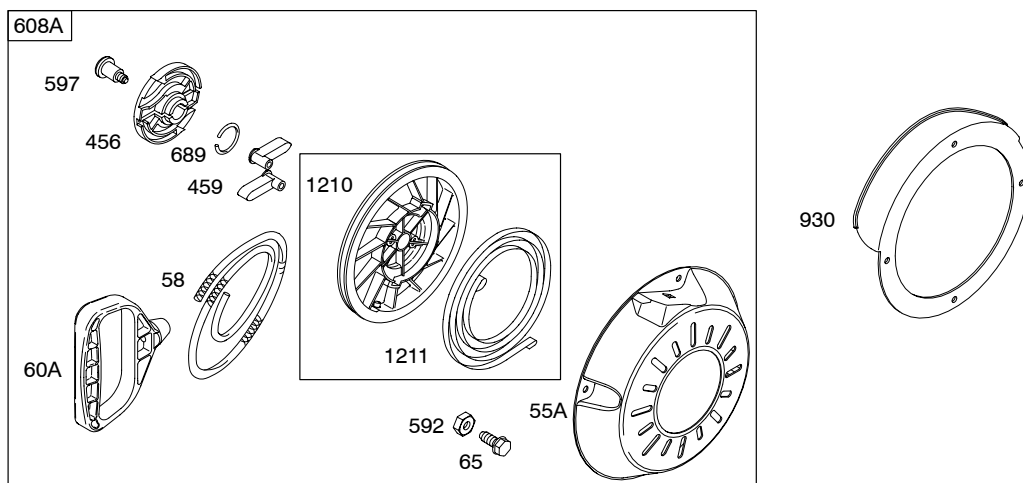
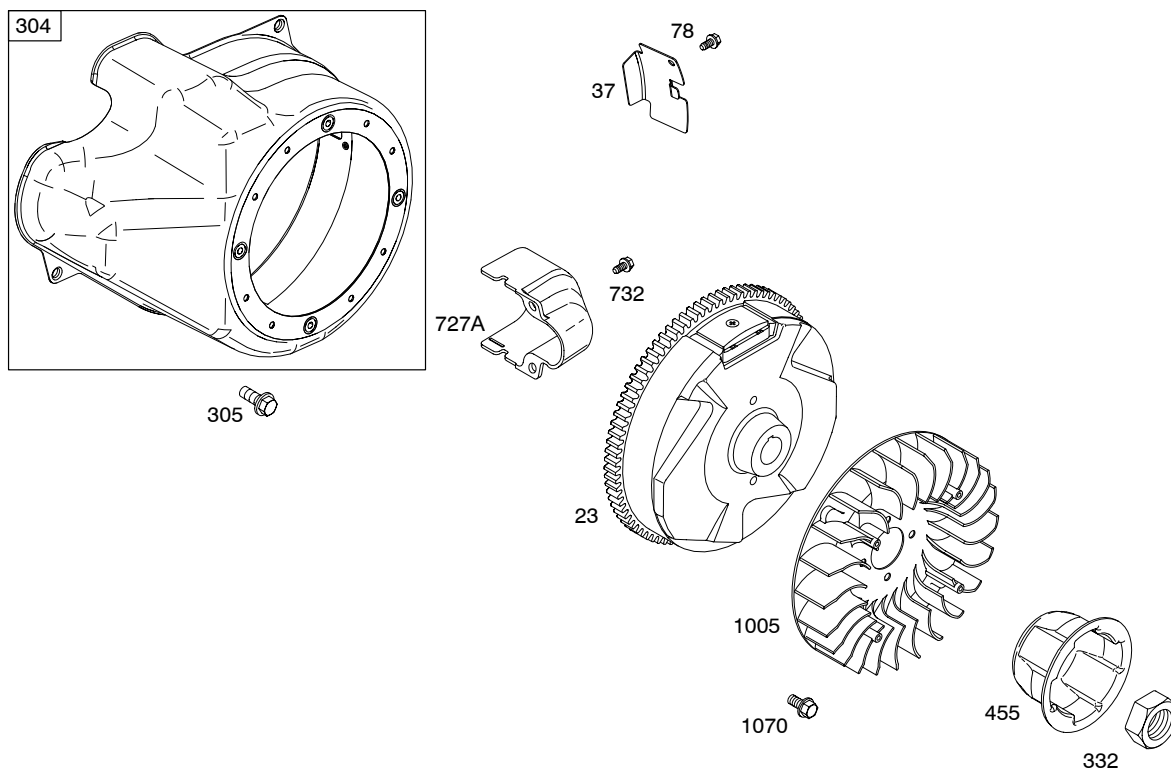




**3418-5** *Illustrations cover a range of engines. Parts shown without corresponding text are not used on this engine.* Assemblies include all parts shown in frames. **09/30/2005**

# 20E200

1036 EMISSION LABEL

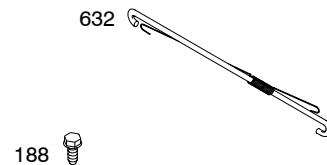
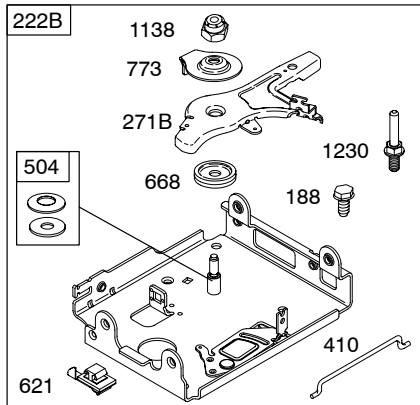
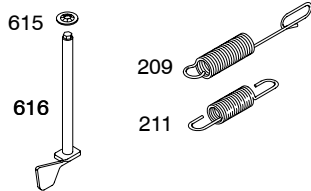
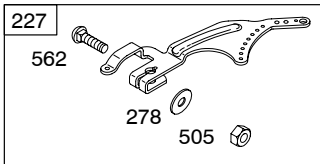
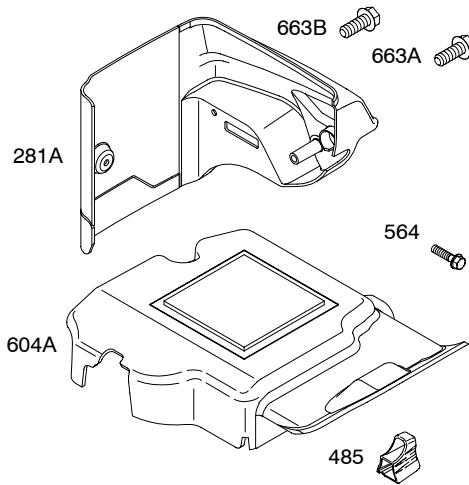
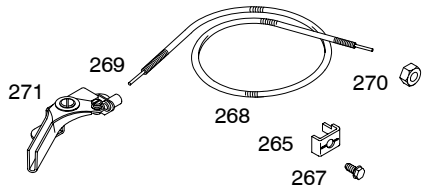


Illustrations cover a range of engines. Parts shown without corresponding text are not used on this engine.

3418-6

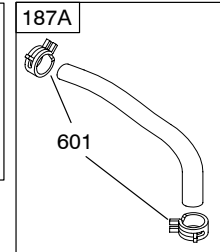
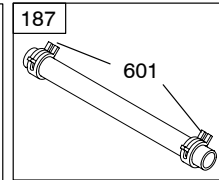
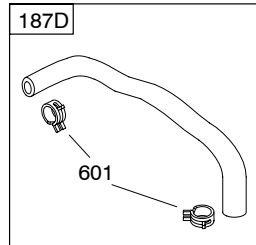
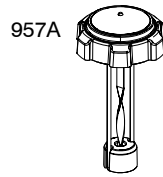
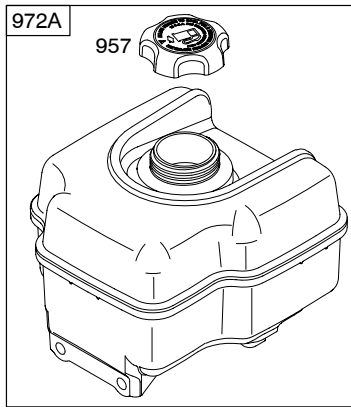
Assemblies include all parts shown in frames.

09/30/2005

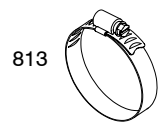
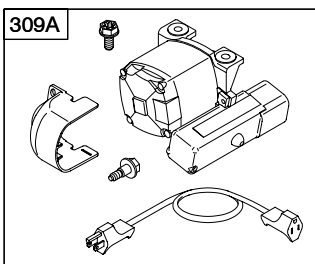
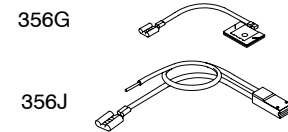
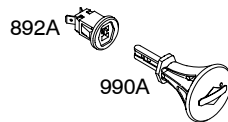
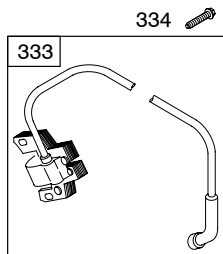


**3418-7** *Illustrations cover a range of engines. Parts shown without corresponding text are not used on this engine.* Assemblies include all parts shown in frames. **09/30/2005**

# 20E200



DC ONLY	5 - 9 AMP
<p><b>NOTE:</b> All stators use a No. 1119 mounting screw. </p> <p><b>NOTE:</b> The proper flywheel part number and/or the alternator magnet size will determine the alternator type or output. See repair instruction manual for additional information.</p>	



Illustrations cover a range of engines. Parts shown without corresponding text are not used on this engine.



**20E200**

REF. NO.	PART NO.	DESCRIPTION	REF. NO.	PART NO.	DESCRIPTION	REF. NO.	PART NO.	DESCRIPTION
1	695464	Cylinder Assembly	27	690975	Lock-Piston Pin	133A	694914	Float-Carburetor
2	698340	Kit-Bushing/Seal (Magneto Side)	28	690229	Pin-Piston	135	696142	Tube-Fuel Transfer
3	★391086	Seal-Oil (Magneto Side)	29	694691	Rod-Connecting	137A	◆695426	Gasket-Float Bowl
5	697233	Head-Cylinder	30	694692	Dipper-Connecting Rod	146	690979	Key-Timing
7	★694872	Gasket-Cylinder Head	32	690976	Screw (Connecting Rod)	187	791766	Line-Fuel (Cut To Required Length) (Used After Code Date 05063000)
11B	696750	Tube-Breather	33	499596	Valve-Exhaust			----- <b>Note</b> -----
12	★694953	Gasket-Crankcase	34	697464	Valve-Intake			<b>691050</b> Line-Fuel (Used Before Code Date 05070100)
13	690360	Screw (Cylinder Head)	35	694865	Spring-Valve (Intake)			
15	691686	Plug-Oil Drain	36	694865	Spring-Valve (Exhaust)	187A	791869	Line-Fuel (Used After Code Date 05063000)
15B	695757	Plug-Oil Drain	37	699047	Guard-Flywheel			----- <b>Note</b> -----
16	696412	Crankshaft	42	499586	Keeper-Valve			<b>695429</b> Line-Fuel (Used Before Code Date 05070100)
18	696914	Cover-Crankcase	45	690977	Tappet-Valve			
19	698340	Kit-Bushing/Seal (PTO Side)	46	790496	Camshaft			
20	★391086	Seal-Oil (PTO Side)	51	◆★694874	Gasket-Intake			
21	281658	Cap-Oil Fill	51A	◆★694875	Gasket-Intake			
22	695174	Screw (Crankcase Cover/Sump)	53A	696753	Stud (Carburetor)	187D	791879	Line-Fuel
23	695485	Flywheel	55A	696710	Housing-Rewind Starter	188	690877	Screw (Control Bracket)
24	222698	Key-Flywheel	58	693389	Rope-Starter	190	692127	Screw (Fuel Tank)
25	792117	Piston Assembly (Standard)	60A	695740	Grip-Starter Rope	192	690083	Adjuster-Rocker Arm
		----- <b>Note</b> -----	65	697725	Screw (Rewind Starter)	209	694867	Spring-Governor
		<b>792144</b> Piston Assembly (.020" Oversize)	78	695724	Screw (Flywheel Guard)	211	695307	Spring-Governed Idle
26	792026	Ring Set (Standard) (Used After Code Date 05081000)	95A	690718	Screw (Throttle Valve)	219	693578	Gear-Governor
		----- <b>Note</b> -----	97A	696387	Shaft-Throttle	220	691724	Washer (Governor Gear)
		<b>694004</b> Ring Set (Standard) (Used Before Code Date 05081100)	98A	◆695408	Kit-Idle Speed	222B	698034	Bracket-Control
		<b>792073</b> Ring Set (.020" Oversize) (Used After Code Date 05081000)	104A	◆694918	Pin-Float Hinge	227	694864	Lever-Governor Control
		<b>694008</b> Ring Set (.020" Oversize) (Used Before Code Date 05081100)	105A	◆696136	Valve-Float Needle	265	691024	Clamp-Casing
			108C	696736	Valve-Choke	267	692577	Screw (Casing Clamp)
			109E	696735	Shaft-Choke	268	691025	Casing-Control Wire (Cut To Required Length)
			117	◆696134	Jet-Main (Standard)	269	691026	Wire-Control (Cut To Required Length)
			118	696135	Jet-Main (High Altitude)	270	691027	Nut (Control Wire Casing)
			121A	696146	Kit-Carburetor Overhaul	271	696697	Lever-Control
			122	◆★694876	Spacer-Carburetor	271B	698035	Lever-Control
			125B	696737	Carburetor	278	792008	Washer (Governor Control Lever)
			127A	◆690727	Plug-Welch			
			130A	696139	Valve-Throttle			

★ Included in Engine Gasket Set-Ref. No.358.

● Included in Carburetor Overhaul Kit-Ref. No. 121.

◆ Included in Carburetor Gasket Set-Ref. No. 977.

Δ Included in Valve Gasket Set-Ref. No 1095.

*Illustrations cover a range of engines. Parts shown without corresponding text may not be used on your specific engine.*

## 20E200

REF. NO.	PART NO.	DESCRIPTION	REF. NO.	PART NO.	DESCRIPTION	REF. NO.	PART NO.	DESCRIPTION
<b>281A</b>	<b>697400</b>	Panel-Control ----- <b>Note</b> ----- <b>698081</b> Panel-Control Used on Type No(s). 0358.	<b>474A</b>	<b>695730</b>	Alternator	<b>635</b>	<b>710901</b>	Boot-Spark Plug
<b>287</b>	<b>691693</b>	Screw (Dipstick Tube)	<b>474C</b>	<b>698314</b>	Alternator	<b>663A</b>	<b>696685</b>	Screw (Control Panel)
<b>300B</b>	<b>699222</b>	Muffler Used on Type No(s). 0110, 0358, 0359.	<b>485</b>	<b>695755</b>	Knob-Control	<b>663B</b>	<b>696704</b>	Screw (Control Panel)
<b>304</b>	<b>791479</b>	Housing-Blower	<b>493</b>	<b>691177</b>	Bracket-Mounting	<b>668</b>	<b>694257</b>	Spacer (Control Bracket)
<b>305</b>	<b>691108</b>	Screw (Blower Housing)	<b>501</b>	<b>698315</b>	Regulator	<b>689</b>	<b>691855</b>	Spring-Friction
<b>306</b>	<b>697240</b>	Shield-Cylinder	<b>503</b>	<b>698318</b>	Strap-Starter	<b>697</b>	<b>698113</b>	Screw (Drive Cap)
<b>309A</b>	<b>698311</b>	Motor-Starter ----- <b>Note</b> ----- <b>698112</b> Motor-Starter Used on Type No(s). 0358. <b>792157</b> Motor-Starter Used on Type No(s). 0359.	<b>504</b>	<b>695383</b>	Washer Set-Friction	<b>718</b>	<b>690959</b>	Pin-Locating (Cylinder)
<b>332</b>	<b>694685</b>	Nut (Flywheel)	<b>505</b>	<b>691251</b>	Nut (Governor Control Lever)	<b>718A</b>	<b>695178</b>	Pin-Locating (Head)
<b>333</b>	<b>715231</b>	Armature-Magneto	<b>523</b>	<b>695344</b>	Dipstick	<b>725</b>	<b>696756</b>	Shield-Heat
<b>334</b>	<b>691061</b>	Screw (Magneto Armature)	<b>524</b>	<b>691876</b>	Seal-Dipstick Tube	<b>727A</b>	<b>697465</b>	Cover-Starter Drive
<b>337</b>	<b>491055</b>	Plug-Spark ----- <b>Note</b> ----- <b>691043</b> Plug-Spark Used on Type No(s). 0359.	<b>525</b>	<b>695343</b>	Tube-Dipstick	<b>731</b>	<b>790222</b>	Hood-Snow
<b>356G</b>	<b>696748</b>	Wire-Stop	<b>526</b>	<b>690297</b>	Screw (Regulator)	<b>732</b>	<b>691097</b>	Screw (Starter Drive Cover)
<b>356J</b>	<b>696700</b>	Wire-Stop	<b>528</b>	<b>696751</b>	Hose-Primer	<b>741</b>	<b>691288</b>	Gear-Timing
<b>358</b>	<b>695438</b>	Gasket Set-Engine	<b>529</b>	<b>791822</b>	Grommet	<b>742</b>	<b>692564</b>	Retainer-E Ring
<b>362</b>	<b>698041</b>	Shield-Spark Plug	<b>552</b>	<b>694674</b>	Bushing-Governor Crank	<b>746</b>	<b>694679</b>	Gear-Idler
<b>369</b>	<b>695422</b>	Spring-Float Bowl	<b>562</b>	<b>691119</b>	Bolt (Governor Control Lever)	<b>773</b>	<b>694258</b>	Retainer
<b>383</b>	<b>19374</b>	Wrench-Spark Plug	<b>564</b>	<b>696692</b>	Screw (Control Cover)	<b>798</b>	<b>697890</b>	Screw (Rocker Arm)
<b>410</b>	<b>695382</b>	Link-Control	<b>592</b>	<b>690800</b>	Nut (Rewind Starter)	<b>813</b>	<b>690635</b>	Clamp
<b>415</b>	<b>691363</b>	Plug	<b>597</b>	<b>691696</b>	Screw (Pawl Friction Plate)	<b>832</b>	<b>699223</b>	Guard-Muffler Used on Type No(s). 0110, 0358, 0359.
<b>455</b>	<b>697226</b>	Cup-Flywheel	<b>601</b>	<b>95162</b>	Clamp-Hose	<b>836</b>	<b>691003</b>	Screw (Muffler Guard)
<b>456</b>	<b>692299</b>	Plate-Pawl Friction	<b>604A</b>	<b>696758</b>	Cover-Control	<b>842</b>	<b>691031</b>	Seal-O Ring (Dipstick Tube)
<b>459</b>	<b>281505</b>	Pawl-Ratchet	<b>608A</b>	<b>699335</b>	Starter-Rewind	<b>847</b>	<b>695342</b>	Dipstick/Tube Assembly
<b>472</b>	<b>696752</b>	Knob-Choke Shaft	<b>613</b>	<b>695312</b>	Screw (Muffler)	<b>868</b>	<b>690968</b>	Seal-Valve
			<b>613A</b>	<b>696705</b>	Screw (Muffler)(TORX HEAD)	<b>877B</b>	<b>393814</b>	Wire/Connector- Alternator
			<b>615</b>	<b>694676</b>	Retainer-Governor Shaft	<b>883</b>	<b>695398</b>	Gasket-Exhaust
			<b>616</b>	<b>694675</b>	Crank-Governor	<b>892A</b>	<b>696749</b>	Switch-Key
			<b>621</b>	<b>692310</b>	Switch-Stop	<b>914</b>	<b>693732</b>	Screw (Rocker Cover)
			<b>632</b>	<b>695917</b>	Spring/Link- Mechanical Governor	<b>930</b>	<b>696709</b>	Guard-Rewind
			<b>633B</b>	<b>690998</b>	Seal-Choke/Throttle Shaft (1 3/4" Long)			

★ Included in Engine Gasket Set-Ref. No.358.

● Included in Carburetor Overhaul Kit-Ref. No. 121.

◆ Included in Carburetor Gasket Set-Ref. No. 977.

△ Included in Valve Gasket Set-Ref. No 1095.

**Illustrations cover a range of engines. Parts shown without corresponding text may not be used on your specific engine.**

**20E200**

REF. NO.	PART NO.	DESCRIPTION	REF. NO.	PART NO.	DESCRIPTION	REF. NO.	PART NO.	DESCRIPTION
957	694261	Cap-Fuel Tank	1029	690972	Arm-Rocker	1210	498144	Pulley/Spring Assembly (Pulley)
957A	695737	Cap-Fuel Tank (Plastic)	1036		Label-Emissions (Available from an Authorized Briggs & Stratton Service Dealer)	1211	498144	Pulley/Spring Assembly (Spring)
958	698180	Valve-Fuel Shut Off (Plastic)	1058	275964	Operator's Manual	1230	696747	Stud (Control Bracket)
972A	694260	Tank-Fuel (Plastic)	1070	691058	Screw (Flywheel Fan)	1251	696762	Shield-Snow
975A	696138	Bowl-Float	1095	695440	Gasket Set-Valve	1252	696763	Screw (Snow Shield)
976	790221	Primer-Carburetor	1100	690973	Pivot-Rocker Arm	1275	696692	Screw (Rocker Cover)
977A	696147	Gasket Set-Carburetor (Use With Nikki Carburetor)	1119	691183	Screw (Alternator)	1288	696757	Nut (Snow Hood)
990A	695756	Key Set	1127A	695407	Screw (Float Bowl)	1318	698111	Knob-Snow Hood
998	696683	Pipe-Oil	1138	694255	Nut (Control Bracket)	1330	272147	Repair Manual
1005	694684	Fan-Flywheel	1171	696754	Stud (Rocker Cover)	1351	790017	Stud (Cylinder Shield)
1019	695751	Kit-Label	1194	691876	Seal-O Ring (Plug)	1352	790026	Nut (Spark Plug Shield)
1022	★△690971	Gasket-Rocker Cover	1196	699166	Screw (Snow Hood)			
1023A	698042	Cover-Rocker						
1026	695177	Rod-Push						

★ Included in Engine Gasket Set-Ref. No.358.

● Included in Carburetor Overhaul Kit-Ref. No. 121.

◆ Included in Carburetor Gasket Set-Ref. No. 977.

△Included in Valve Gasket Set-Ref. No 1095.

*Illustrations cover a range of engines. Parts shown without corresponding text may not be used on your specific engine.*