



# Illustrated Parts List

## Model Series

# 204400

TYPE NUMBERS  
0036 through 0276.

### TABLE OF CONTENTS

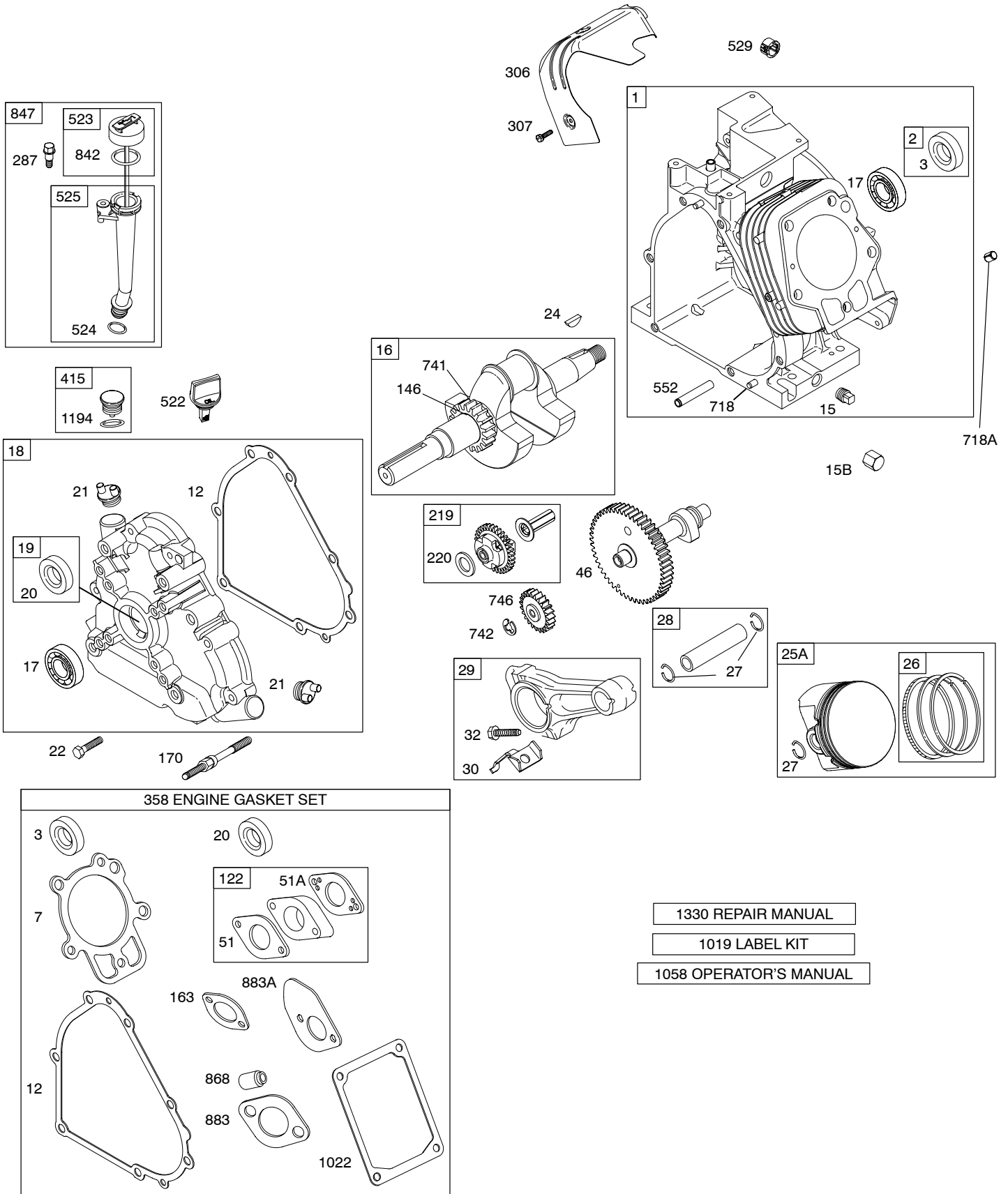
<b>Air Cleaner</b> .....	5
<b>Alternator</b> .....	9
<b>Blower Housing/ Shrouds</b> .....	6
<b>Camshaft</b> .....	2
<b>Carburetor #1</b> .....	4
<b>Carburetor #2</b> .....	4
<b>Controls</b> .....	7
<b>Crankcase Cover</b> .....	2
<b>Crankshaft</b> .....	2
<b>Cylinder</b> .....	2
<b>Cylinder Head</b> .....	3
<b>Electric Starter</b> .....	8
<b>Exhaust System</b> .....	5
<b>Flywheel</b> .....	6
<b>Fuel Supply</b> .....	8
<b>Governor Spring</b> .....	7
<b>Ignition</b> .....	9
<b>Kit/Gasket Sets - Carburetor</b> .....	4
<b>Kit/Gasket Sets - Engine</b> .....	2
<b>Kit/Gasket Sets - Valve</b> .....	2
<b>Lubrication</b> .....	2
<b>Piston, Rings, Connecting Rod</b> .....	2
<b>Rewind Starter</b> .....	6
<b>Valves</b> .....	3

PRINTED IN U.S.A.

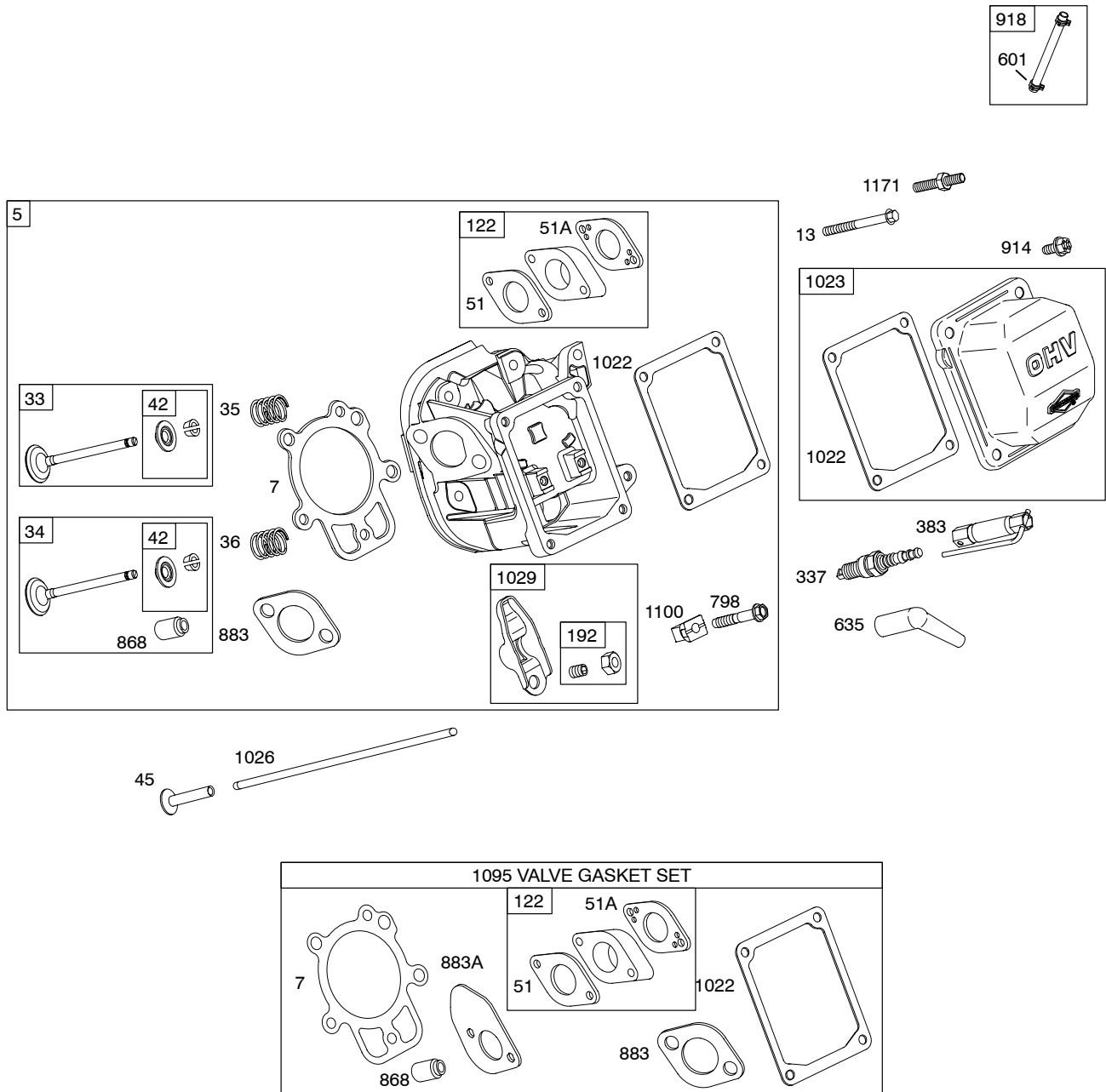


COPYRIGHT by BRIGGS & STRATTON CORPORATION  
All rights reserved. No part of this material may be reproduced or transmitted, in any form or by any means, electronic or mechanical, including photocopying, recording or by any information storage and retrieval system, without permission in writing from Briggs & Stratton Corporation.

**204400**

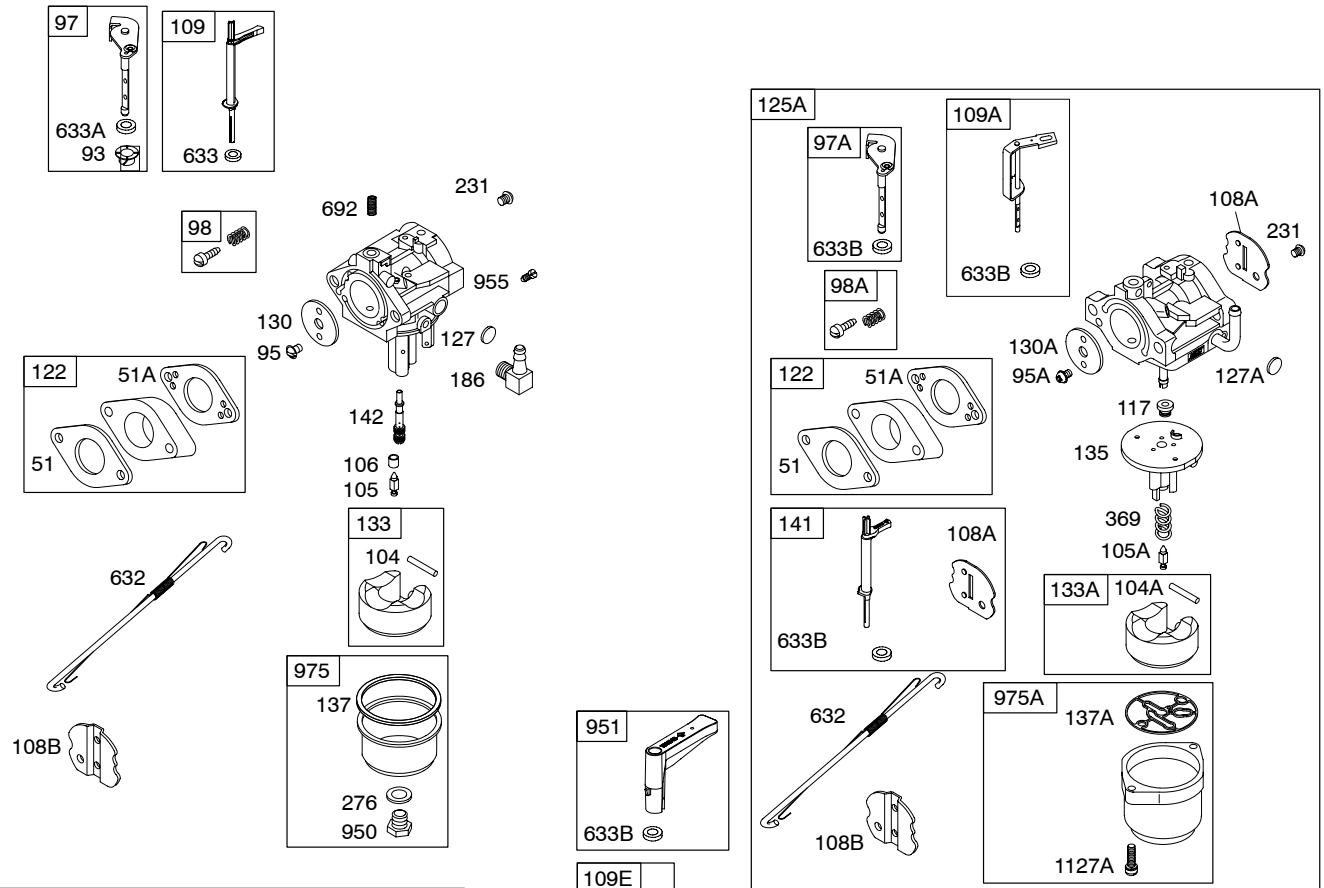


**Illustrations cover a range of engines. Parts shown without corresponding text are not used on this engine.**  
 6444-2 Assemblies include all parts shown in frames. 10/31/2005



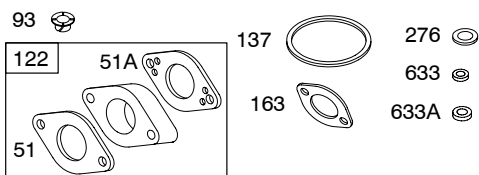
Illustrations cover a range of engines. Parts shown without corresponding text are not used on this engine.  
 6444-3 Assemblies include all parts shown in frames. 10/31/2005

# 204400

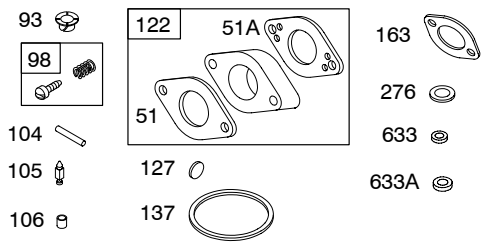


## WALBRO CARBURETOR

### 977 CARBURETOR GASKET SET

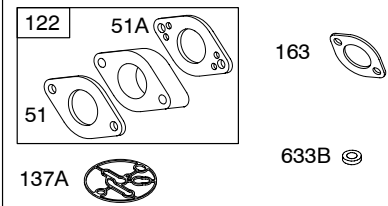


### 121 CARBURETOR OVERHAUL KIT

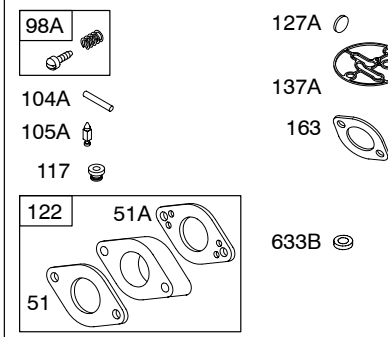


## NIKKI CARBURETOR

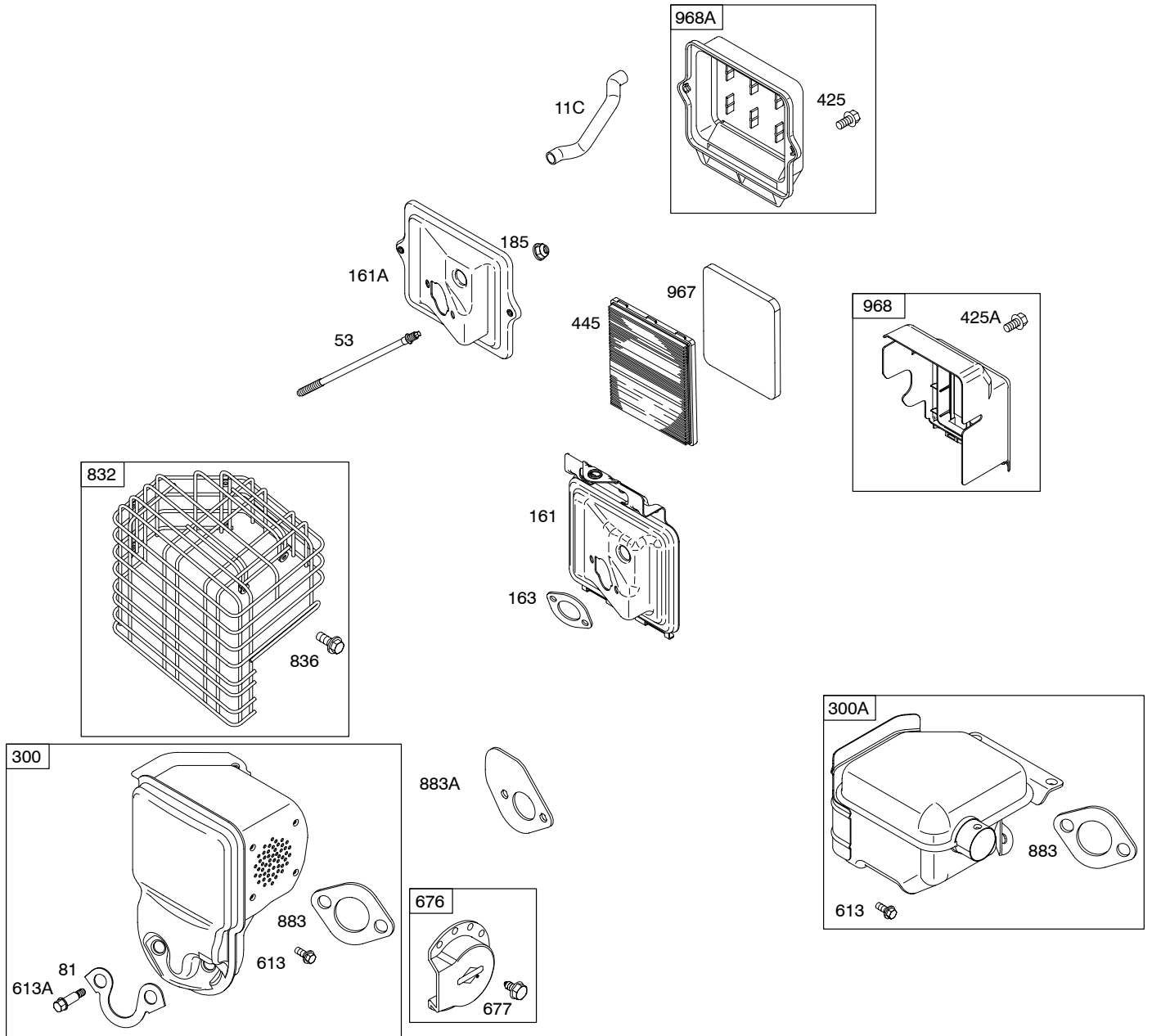
### 977A CARBURETOR GASKET SET



### 121A CARBURETOR OVERHAUL KIT

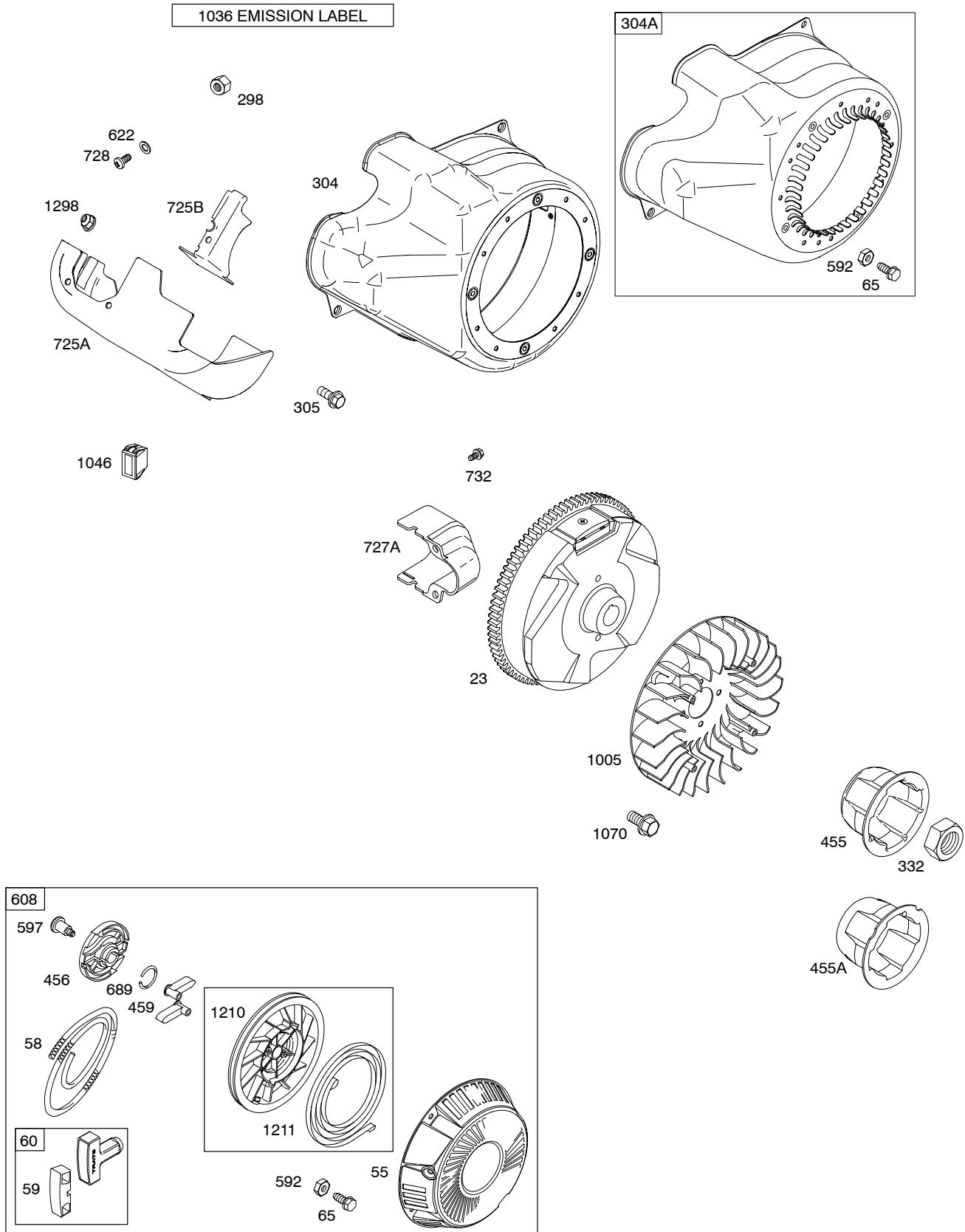


Illustrations cover a range of engines. Parts shown without corresponding text are not used on this engine.

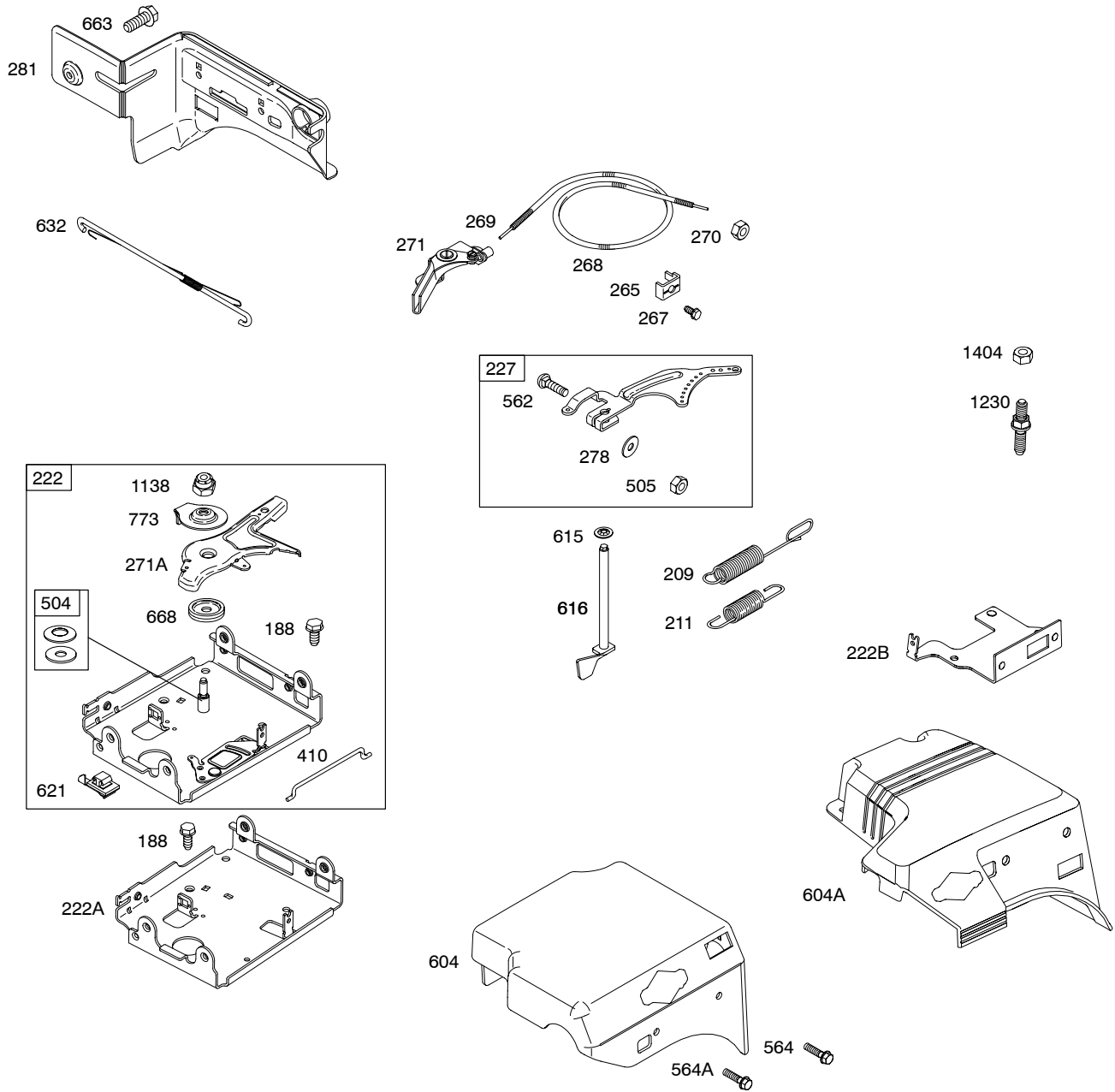


6444-5 *Illustrations cover a range of engines. Parts shown without corresponding text are not used on this engine.* Assemblies include all parts shown in frames. 10/31/2005

**204400**

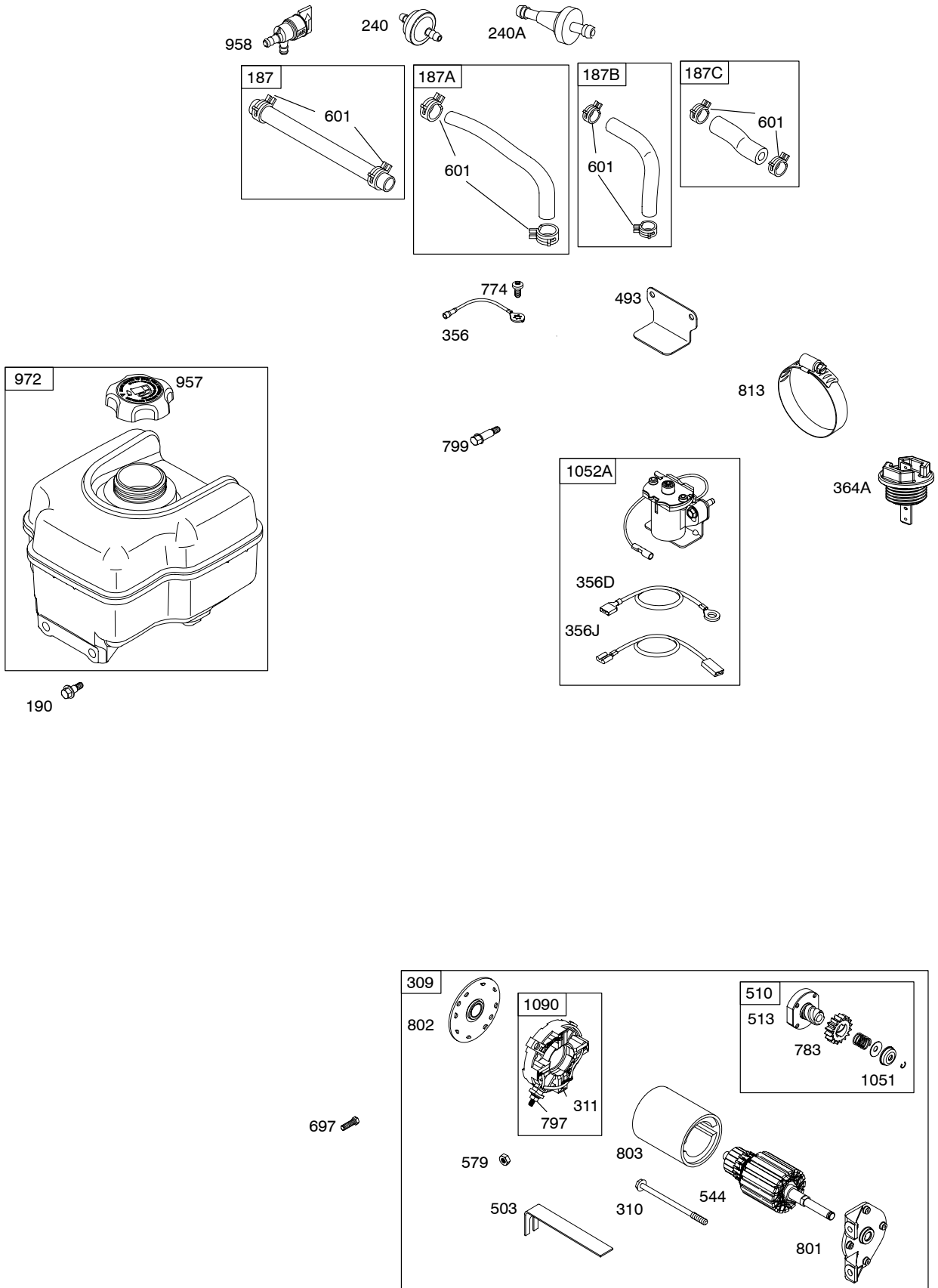


**Illustrations cover a range of engines. Parts shown without corresponding text are not used on this engine.**  
 6444-6 Assemblies include all parts shown in frames. 10/31/2005



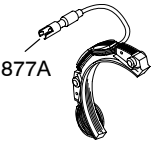
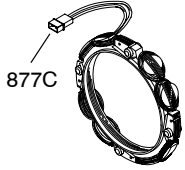
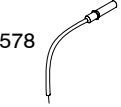
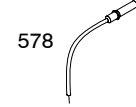

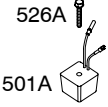
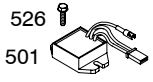
6444-7 *Illustrations cover a range of engines. Parts shown without corresponding text are not used on this engine.* Assemblies include all parts shown in frames. 10/31/2005

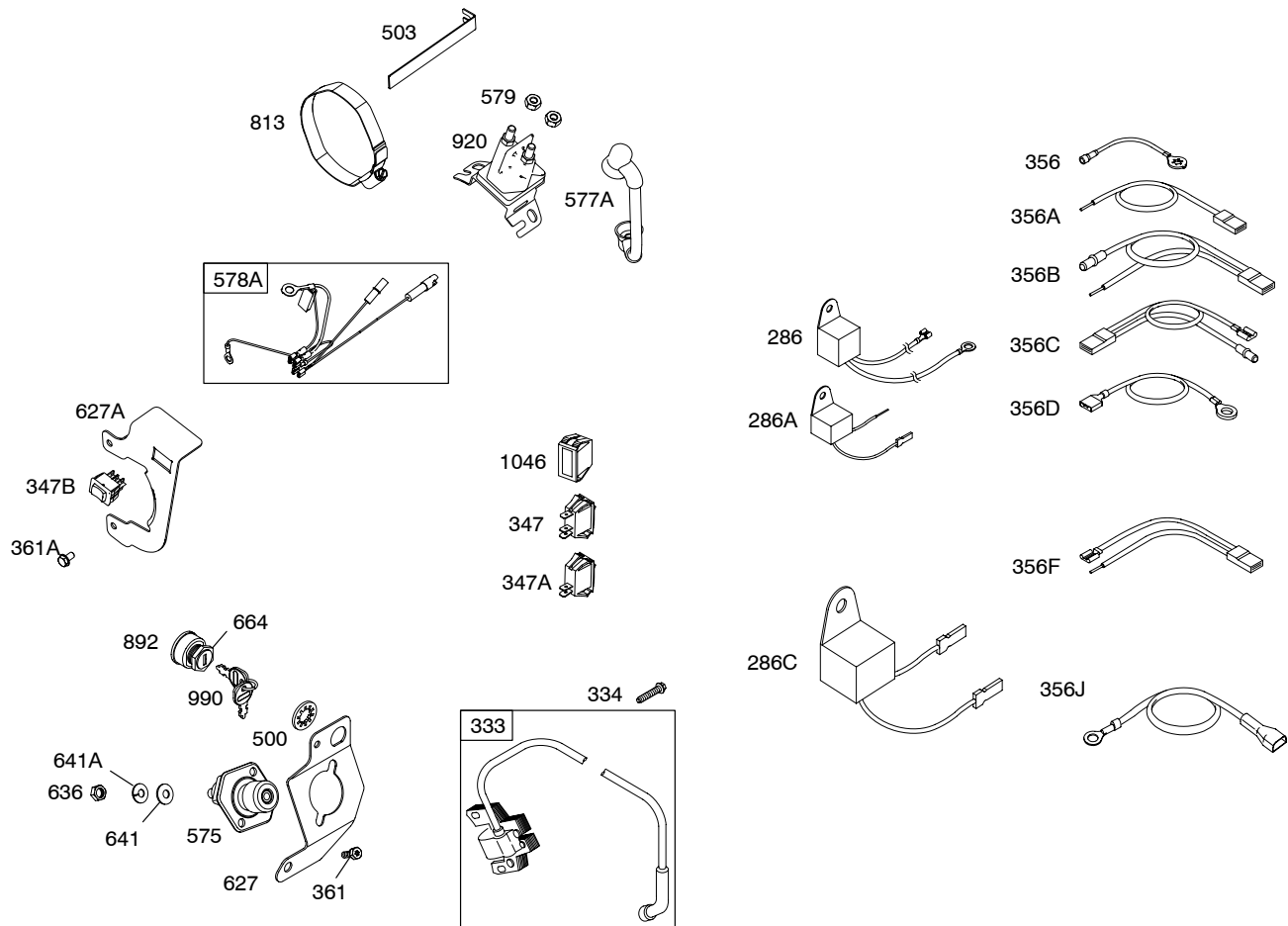
**204400**



*Illustrations cover a range of engines. Parts shown without corresponding text are not used on this engine.*



	DC ONLY	10 - 16 AMP
	<p>474A</p>  <p>877A</p>	<p>474D</p>  <p>877C</p>
	 <p>578</p>	 <p>578</p>
<p><b>NOTE:</b> All stators use a No. 1119 mounting screw. </p> <p><b>NOTE:</b> The proper flywheel part number and/or the alternator magnet size will determine the alternator type or output. See repair instruction manual for additional information.</p>	<p>526A</p>  <p>501A</p>	<p>526</p>  <p>501</p>



Illustrations cover a range of engines. Parts shown without corresponding text are not used on this engine.

## 204400

REF. NO.	PART NO.	DESCRIPTION	REF. NO.	PART NO.	DESCRIPTION	REF. NO.	PART NO.	DESCRIPTION
1	695464	Cylinder Assembly	17	695434	Bearing-Ball	27	690975	Lock-Piston Pin
2	698340	Kit-Bushing/Seal (Magneto Side)	18	696914	Cover-Crankcase ----- <b>Note</b> -----	28	696581	Pin-Piston
3	★391086	Seal-Oil (Magneto Side)		695372	Cover-Crankcase	29	694691	Rod-Connecting
5	697233	Head-Cylinder (Used After Code Date 01102800) ----- <b>Note</b> -----			(Ball Bearing Cover) Used on Type No(s). 0036, 0110, 0213, 0214.	30	694692	Dipper-Connecting Rod
		698040 Head-Cylinder (Used Before Code Date 01102900)	19	698340	Kit-Bushing/Seal (PTO Side)	32	690976	Screw (Connecting Rod)
7	★△694872	Gasket-Cylinder Head	20	★391086	Seal-Oil (PTO Side)	33	499596	Valve-Exhaust
11C	696796	Tube-Breather	21	281658	Cap-Oil Fill	34	697464	Valve-Intake
12	★694953	Gasket-Crankcase	22	695174	Screw (CrankcaseCover-Sump)	35	694865	Spring-Valve (Intake)
13	690360	Screw (Cylinder Head)	23	694954	Flywheel ----- <b>Note</b> -----	36	694865	Spring-Valve (Exhaust)
15	691686	Plug-Oil Drain (Square Head)		695485	Flywheel Used on Type No(s). 0110, 0115, 0129, 0141, 0143, 0154, 0164, 0168, 0214.	42	499586	Keeper-Valve
15B	695757	Plug-Oil Drain Used on Type No(s). 0276, 0417.	24	222698	Key-Flywheel	45	690977	Tappet-Valve
16	695462	Crankshaft ----- <b>Note</b> -----	25	792117	Piston Assembly (Standard) ----- <b>Note</b> -----	46	790496	Camshaft
		695369 Crankshaft Used on Type No(s). 0114, 0115, 0117, 0125, 0157, 0159.		792144	Piston Assembly (.020" Oversize)	51	△◆◆694874	Gasket-Intake
		694678 Crankshaft Used on Type No(s). 0109, 0118, 0119, 0129, 0130, 0134, 0136, 0141, 0142, 0143, 0145, 0146, 0147, 0149, 0150, 0151, 0153, 0154, 0156, 0162, 0163, 0164, 0168.	26	792026	Ring Set (Standard) (Used After Code Date 05081000) ----- <b>Note</b> -----	51A	△◆◆694875	Gasket-Intake
		696512 Crankshaft Used on Type No(s). 0113.		694004	Ring Set (Used Before Code Date 05081100)	53	694869	Stud (Carburetor)
		696412 Crankshaft Used on Type No(s). 0213, 0214.		792073	Ring Set (.020" Oversize) (Used After Code Date 05081000)	55	695288	Housing-Rewind Starter
		695306 Crankshaft Used on Type No(s). 0276, 0417.		694008	Ring Set (.020" Oversize) (Used Before Code Date 05081100)	58	693389	Rope-Starter (Cut To Required Length)
						59	805957	Insert-Grip
						60	490652	Grip-Starter Rope
						65	690837	Screw (Rewind Starter) ----- <b>Note</b> -----
							690759	Screw (Rewind Starter) Used on Type No(s). 0110, 0115, 0129, 0141, 0143, 0154, 0164, 0168.
						81	695400	Lock-Muffler Screw
						93	◆◆690602	Bushing-Throttle Shaft (Walbro)
						95	691636	Screw (Throttle Valve)
						95A	690718	Screw (Throttle Valve)

★ Included in Engine Gasket Set-Ref. No.358.

● Included in Carburetor Overhaul Kit-Ref. No. 121.

◆ Included in Carburetor Gasket Set-Ref. No. 977.

△ Included in Valve Gasket Set-Ref. No 1095.

**Illustrations cover a range of engines. Parts shown without corresponding text may not be used on your specific engine.**

**204400**

REF. NO.	PART NO.	DESCRIPTION	REF. NO.	PART NO.	DESCRIPTION	REF. NO.	PART NO.	DESCRIPTION
97	695325	Shaft-Throttle	141	696145	Kit-Choke Shaft	185	690958	Nut
97A	696387	Shaft-Throttle			Used on Type No(s).			(Air Cleaner Base)
98	●495800	Kit-Idle Speed			0036, 0100, 0105,	186	692317	Connector-Hose
98A	●695408	Kit-Idle Speed			0110, 0113, 0114,	187	791766	Line-Fuel
104	●690525	Pin-Float Hinge			0115, 0117, 0119,			(Used After Code Date
104A	●694918	Pin-Float Hinge			0125, 0146, 0150,			05070100)
105	●691782	Valve-Float Needle			0157, 0160, 0162,			----- <b>Note</b> -----
105A	●696136	Valve-Float Needle			0214.			<b>691050</b> Line-Fuel
106	●690577	Seat-Inlet	141A	698457	Kit-Choke Shaft			(Used Before Code
108A	696143	Valve-Choke	141C	699979	Kit-Choke Shaft			Date 05063000)
108B	696209	Valve-Choke	142	695528	Nozzle-Carburetor	187A	791869	Line-Fuel
		Used on Type No(s).			(Standard)			(Used After Code Date
		0109, 0118, 0129,	143	695529	Nozzle-Carburetor			05063000)
		0130, 0134, 0136,			(High Altitude)			----- <b>Note</b> -----
		0141, 0142, 0143,	146	690979	Key-Timing			<b>695429</b> Line-Fuel
		0145, 0147, 0149,	161	695384	Base-Air Cleaner			(Used Before Code
		0153, 0156, 0163,			(Metal)			Date 05070100)
		0164, 0168.	161A	699960	Base-Air Cleaner	187B	695482	Line-Fuel
109	695331	Shaft-Choke			(Metal)			(Used After Code Date
109A	790077	Shaft-Choke			(Used After Code Date			05070100)
109E	696735	Shaft-Choke			04020400)			----- <b>Note</b> -----
117	●697291	Jet-Main			Used on Type No(s).			<b>791834</b> Line-Fuel
		(Standard)			0109, 0129, 0134,			(Used Before Code
118	696135	Jet-Main			0136, 0141, 0142,			Date 05063000)
		(High Altitude)			0147, 0149, 0153,	187C	791871	Line-Fuel
121	695441	Kit-Carburetor			0154, 0156, 0163,			(Used After Code Date
		Overhaul			0164, 0168.			05070100)
		(Use With Walbro			----- <b>Note</b> -----			----- <b>Note</b> -----
		Carburetor)			<b>694870</b> Base-Air			<b>695483</b> Line-Fuel
121A	696146	Kit-Carburetor			Cleaner			(Used Before Code
		Overhaul			(Metal)	188	690877	Screw
		(Nikki)			(Used Before Code			(Control Bracket)
122★△●	694876	Spacer-Carburetor			Date 04020500)	190	692127	Screw
125A	699966	Carburetor			Used on Type No(s).			(Fuel Tank)
127	●694524	Plug-Welch			0109, 0118, 0129,	192	690083	Adjuster-Rocker Arm
127A	●690727	Plug-Welch			0130, 0134, 0136,	209	694867	Spring-Governor
130	690468	Valve-Throttle			0141, 0142, 0143,			----- <b>Note</b> -----
130A	696139	Valve-Throttle			0145, 0147, 0149,			<b>696638</b> Spring-
133	494381	Float-Carburetor			0153, 0154, 0156.			Governor
133A	694914	Float-Carburetor	163★●◆	692277	Gasket-Air Cleaner			Used on Type No(s).
135	696142	Tube-Fuel Transfer	170	695296	Stud			0114, 0115, 0125,
137	◆281165	Gasket-Float Bowl			(Crankcase			0157.
137A	◆695426	Gasket-Float Bowl			Cover/Sump)	211	695307	Spring-Governed Idle
						219	693578	Gear-Governor
						220	691724	Washer
								(Governor Gear)

★ Included in Engine Gasket Set-Ref. No.358.

● Included in Carburetor Overhaul Kit-Ref. No. 121.

◆ Included in Carburetor Gasket Set-Ref. No. 977.

△ Included in Valve Gasket Set-Ref. No 1095.

**Illustrations cover a range of engines. Parts shown without corresponding text may not be used on your specific engine.**

## 204400

REF. NO.	PART NO.	DESCRIPTION	REF. NO.	PART NO.	DESCRIPTION	REF. NO.	PART NO.	DESCRIPTION
222	695380	Bracket-Control	281	697268	Panel-Control (Used After Code Date 01102800)	300	697252	Muffler (Used After Code Date 02011000)
222A	694866	Bracket-Control Used on Type No(s). 0109, 0118, 0119, 0125, 0129, 0130, 0134, 0136, 0141, 0142, 0143, 0145, 0146, 0147, 0149, 0150, 0151, 0153, 0154, 0156, 0162, 0163, 0164, 0168.			----- <b>Note</b> ----- <b>695294</b> Panel-Control (Used Before Code Date 01102900)	300A	695311	Muffler (Used Before Code Date 02011100)
222B	791753	Bracket-Control	286	695186	Module-Oil Sensor (Used Before Code Date 03010600) Used on Type No(s). 0109, 0118, 0119, 0130, 0134, 0136, 0142, 0145, 0146, 0147, 0149, 0150, 0151.	304	791479	Housing-Blower (Used After Code Date 01102800)
227	694864	Lever-Governor Control			----- <b>Note</b> ----- <b>699019</b> Housing-Blower (Used Before Code Date 01102900).			
231	691636	Screw (Choke Valve)	286A	696058	Module-Oil Sensor (Used Before Code Date 01010500). Used on Type No(s). 0143.			<b>699019</b> Housing-Blower (Used Before Code Date 03012100). Used on Type No(s). 0109, 0156.
		----- <b>Note</b> ----- <b>690718</b> Screw (Choke Valve)			----- <b>Note</b> ----- <b>699951</b> Module-Oil Sensor (Used After Code Date 03010500) Used on Type No(s). 0109, 0118, 0119, 0129, 0130, 0134, 0136, 0141, 0142, 0145, 0146, 0147, 0149, 0150, 0151, 0153, 0154, 0156, 0162, 0164.	304A	791481	Housing-Blower (Used After Code Date 03012200) Used on Type No(s). 0109, 0156.
240	298090	Filter-Fuel Used on Type No(s). 0109, 0119, 0130, 0134, 0136, 0142, 0147, 0163.	286C	699951	Module-Oil Sensor (Used After Code Date 03010500) Used on Type No(s). 0109, 0118, 0119, 0129, 0130, 0134, 0136, 0141, 0142, 0145, 0146, 0147, 0149, 0150, 0151, 0153, 0154, 0156, 0162, 0164.			
		----- <b>Note</b> ----- <b>394358</b> Filter-Fuel Used on Type No(s). 0118, 0129, 0143, 0149.			----- <b>Note</b> ----- <b>699952</b> Module-Oil Sensor (Used After Code Date 01010600) Used on Type No(s). 0143.	305	691108	Screw (Blower Housing)
240A	694485	Filter-Fuel						----- <b>Note</b> ----- <b>691125</b> Screw (Blower Housing) Used on Type No(s). 0142, 0147, 0154, 0156, 0163.
265	691024	Clamp-Casing	287	691693	Screw (Dipstick Tube)	306	697240	Shield-Cylinder (Used After Code Date 01102800)
267	692577	Screw (Casing Clamp)	298	698838	Locknut-Muffler/Elbow Used on Type No(s). 0142, 0147, 0154, 0156, 0163, 0164.			----- <b>Note</b> ----- <b>696698</b> Shield-Cylinder (Used Before Code Date 01102900)
268	691025	Casing-Control Wire (Cut To Required Length)				307	691108	Screw (Cylinder Shield) (M4)
269	691026	Wire-Control (Cut To Required Length)						----- <b>Note</b> ----- <b>691660</b> Screw (Cylinder Shield) (1/4-20)
270	691027	Nut (Control Wire Casing)						
271	691028	Lever-Control						
271A	695381	Lever-Control						
276	◆692255	Washer-Sealing						
278	792008	Washer (Governor Control Lever)						

★ Included in Engine Gasket Set-Ref. No.358.

● Included in Carburetor Overhaul Kit-Ref. No. 121.

◆ Included in Carburetor Gasket Set-Ref. No. 977.

△ Included in Valve Gasket Set-Ref. No 1095.

**Illustrations cover a range of engines. Parts shown without corresponding text may not be used on your specific engine.**

6444-12

Assemblies include all parts shown in frames.

10/31/2005

**204400**

REF. NO.	PART NO.	DESCRIPTION	REF. NO.	PART NO.	DESCRIPTION	REF. NO.	PART NO.	DESCRIPTION
309	695479	Motor-Starter	356J	699994	Wire-Stop	456	692299	Plate-Pawl Friction
310	690323	Screw (Starter Motor)			(Used After Code Date 03072300)	459	281505	Pawl-Ratchet
311	497608	Brush Set			Used on Type No(s).	474A	695730	Alternator (3 Amps DC)
332	694685	Nut (Flywheel)			0109, 0118, 0119, 0129, 0130, 0134, 0136, 0141, 0142, 0143, 0145, 0146, 0147, 0149, 0150, 0151, 0153, 0154, 0156, 0162, 0163, 0164, 0168.	474D	695466	Alternator (10 Amp Regulator)
333	715231	Armature-Magneto				493	691177	Bracket-Mounting ----- <b>Note</b> -----
334	691061	Screw (Magneto Armature)						<b>694861</b> Bracket-Mounting
337	491055	Plug-Spark ----- <b>Note</b> ----- <b>691043</b> Plug-Spark Used on Type No(s). 0105, 0118.	358	695438	Gasket Set-Engine			Used on Type No(s). 0109, 0118, 0119.
347	698338	Switch-Rocker Used on Type No(s). 0125, 0155, 0163, 0168.	361	691681	Screw (Starting Switch) Used on Type No(s). 0109.	500	691086	Washer (Key Switch) Used on Type No(s). 0157.
347A	697854	Switch-Rocker Used on Type No(s). 0109, 0118, 0119, 0129, 0130, 0134, 0136, 0141, 0142, 0145, 0146, 0147, 0149, 0150, 0151, 0153, 0154, 0156, 0162, 0164.	364A	699947	Terminal-Oil Plug Used on Type No(s). 0109, 0118, 0119, 0129, 0130, 0134, 0136, 0141, 0142, 0143, 0145, 0146, 0147, 0149, 0150, 0151, 0153, 0154, 0156, 0162, 0164.	501	691185	Regulator
356	692603	Wire-Stop	369	695422	Spring-Float Bowl	501A	691188	Regulator Used on Type No(s). 0157.
356A	692390	Wire-Stop	383	19374	Wrench-Spark Plug	503	691532	Strap-Starter
356B	695815	Wire-Stop Used on Type No(s). 0036, 0114, 0117, 0160, 0213, 0214.	410	695382	Link-Control	504	695383	Washer Set-Friction
356C	695295	Wire-Stop	415	691363	Plug	505	691251	Nut (Governor Control Lever)
356D	695366	Wire-Stop ----- <b>Note</b> ----- (Used After Code Date 03010500 and Before Code Date 03072400). Used on Type No(s). 0109, 0118, 0119, 0129, 0130, 0134, 0136, 0141, 0142, 0143, 0145, 0146, 0147, 0149, 0150, 0151, 0153, 0154, 0156, 0163, 0164.	425	694515	Screw (Air Cleaner Cover)	510	693699	Drive-Starter
356E	697336	Wire-Stop Used on Type No(s). 0115, 0143, 0157.	425A	790043	Screw (Air Cleaner Cover)	513	692024	Clutch-Drive
			445	491588	Filter-Air Cleaner Cartridge	522	697689	Plug-Dipstick/Fill Used on Type No(s). 0130, 0134, 0164, 0168.
			455	697226	Cup-Flywheel ----- <b>Note</b> ----- <b>697226</b> Cup-Flywheel (Used Before Code Date 03012100) Used on Type No(s). 0109, 0156.	523	695344	Dipstick
			455A	697357	Cup-Flywheel (Used After Code Date 03012200) Used on Type No(s). 0109, 0156.	524	691876	Seal-Dipstick Tube
						525	695343	Tube-Dipstick
						526	690297	Screw (Regulator)
						526A	690326	Screw (Regulator) Used on Type No(s). 0157.
						529	791822	Grommet

★ Included in Engine Gasket Set-Ref. No.358.

● Included in Carburetor Overhaul Kit-Ref. No. 121.

◆ Included in Carburetor Gasket Set-Ref. No. 977.

△ Included in Valve Gasket Set-Ref. No 1095.

**Illustrations cover a range of engines. Parts shown without corresponding text may not be used on your specific engine.**

# 204400

REF. NO.	PART NO.	DESCRIPTION	REF. NO.	PART NO.	DESCRIPTION	REF. NO.	PART NO.	DESCRIPTION
544	692034	Armature–Starter	601	95162	Clamp–Hose	616	694675	Crank–Governor
552	694674	Bushing–Governor Crank	604	697326	Cover–Control (Used After Code Date 01061000)	621	692310	Switch–Stop
562	691119	Bolt (Governor Control Lever)			Used on Type No(s). 0109, 0118, 0119, 0125, 0129, 0130, 0134, 0142, 0143, 0145, 0147, 0149, 0163, 0164, 0168.	622	698839	Washer (Heat Shield)
564	692577	Screw (Control Cover) Used on Type No(s). 0109, 0118, 0119, 0125, 0129, 0130, 0134, 0142, 0143, 0145, 0147, 0149, 0163, 0164, 0168.			----- <b>Note</b> ----- 696078 Cover–Control (Used Before Code Date 01061100)	627	696064	Bracket–Stopswitch
564A	692198	Screw (Control Cover) Used on Type No(s). 0109, 0118, 0119, 0125, 0129, 0130, 0134, 0142, 0143, 0145, 0147, 0149, 0163, 0164, 0168.	604A	791752	Cover–Control	632	694868	Link–Throttle (Used With Walbro Carburetors)
575	692303	Switch–Starting	608	695287	Starter–Rewind			----- <b>Note</b> ----- 695917 Link–Throttle (Used With Nikki Carburetor)
578	692306	Wire Assembly Used on Type No(s). 0110, 0115, 0129, 0141, 0143, 0154, 0214.			----- <b>Note</b> ----- 697356 Starter–Rewind	633	690597	Seal–Choke/Throttle Shaft
579	691029	Nut (Starter Cable) ----- <b>Note</b> ----- 690630 Nut (Starter Cable) Used on Type No(s). 0157.			Used on Type No(s). 0109, 0118, 0119, 0125, 0129, 0130, 0134, 0142, 0143, 0145, 0147, 0149.	633A	691326	Seal–Choke/Throttle Shaft
592	690800	Nut (Rewind Starter)			697356 Starter–Rewind (Used After Code Date 03012100)	633B	690998	Seal–Choke/Throttle Shaft
597	691696	Screw (Pawl Friction Plate)			Used on Type No(s). 0109, 0154.	635	710901	Boot–Spark Plug
			613	695312	Screw (Muffler)	636	696198	Nut (Starting Switch)
			613A	695399	Screw (Muffler)	641	691075	Washer (Starting Switch)
			615	694676	Retainer–Governor Shaft	641A	690282	Washer (Starting Switch)
					695287 Starter–Rewind (Used Before Code Date 03012200)	663	692577	Screw (Control Panel)
					Used on Type No(s). 0109, 0154.	664	691087	Nut (Key Switch)
					695287 Starter–Rewind (Used Before Code Date 03012200)	668	694257	Spacer (Control Bracket)
					Used on Type No(s). 0109, 0154.	676	393761	Deflector–Muffler
					695287 Starter–Rewind (Used Before Code Date 03012200)	677	690367	Screw (Muffler Deflector) Used on Type No(s). 0114, 0115, 0117, 0125, 0157.
					Used on Type No(s). 0109, 0154.	689	691855	Spring–Friction
					695287 Starter–Rewind (Used Before Code Date 03012200)	692	691301	Spring–Detent
					Used on Type No(s). 0109, 0154.	697	690372	Screw (Drive Cap)
					695287 Starter–Rewind (Used Before Code Date 03012200)	718	690959	Pin–Locating (Head)
					Used on Type No(s). 0109, 0154.	718A	695178	Pin–Locating (Head)

★ Included in Engine Gasket Set–Ref. No.358.

● Included in Carburetor Overhaul Kit–Ref. No. 121.

◆ Included in Carburetor Gasket Set–Ref. No. 977.

△ Included in Valve Gasket Set–Ref. No.1095.

**Illustrations cover a range of engines. Parts shown without corresponding text may not be used on your specific engine.**

**204400**

REF. NO.	PART NO.	DESCRIPTION	REF. NO.	PART NO.	DESCRIPTION	REF. NO.	PART NO.	DESCRIPTION
<b>725A</b>	<b>698836</b>	Shield-Heat Used on Type No(s). 0142, 0147, 0154, 0156, 0163, 0164. ----- <b>Note</b> ----- <b>791158</b> Shield-Heat Used on Type No(s). 0168.	<b>842</b>	<b>691031</b>	Seal-O Ring (Dipstick Tube)	<b>972</b>	<b>694260</b>	Tank-Fuel (Plastic)
<b>725B</b>	<b>698837</b>	Shield-Heat Used on Type No(s). 0142, 0147, 0154, 0156, 0163, 0164, 0168.	<b>847</b>	<b>695342</b>	Dipstick/Tube Assembly	<b>975</b>	<b>495933</b>	Bowl-Float
<b>727A</b>	<b>697465</b>	Cover-Starter Drive	<b>868</b>	<b>★△690968</b>	Seal-Valve	<b>975A</b>	<b>696138</b>	Bowl-Float
<b>728</b>	<b>696763</b>	Screw (Heat Shield)	<b>877</b>	<b>394251</b>	Wire/Connector- Alternator	<b>977</b>	<b>695439</b>	Gasket Set-Carburetor (Used With Walbro Carburetors)
<b>732</b>	<b>691097</b>	Screw (Starter Drive Cover)	<b>883</b>	<b>★△695398</b>	Gasket-Exhaust (Used Before Code Date 02012000)	<b>977A</b>	<b>696147</b>	Gasket Set-Carburetor (Use With Nikki Carburetor)
<b>741</b>	<b>691288</b>	Gear-Timing	<b>883A</b>	<b>★△697255</b>	Gasket-Exhaust (Used After Code Date 02011900)	<b>990</b>	<b>691959</b>	Key Set
<b>742</b>	<b>692564</b>	Retainer-E Ring	<b>892</b>	<b>392833</b>	Switch-Key Used on Type No(s). 0157.	<b>1005</b>	<b>694684</b>	Fan-Flywheel
<b>746</b>	<b>694679</b>	Gear-Idler	<b>914</b>	<b>693732</b>	Screw (Rocker Cover)	<b>1019</b>	<b>695442</b>	Kit-Label
<b>773</b>	<b>694258</b>	Retainer	<b>914</b>	<b>696754</b>	Screw (Rocker Cover) Used on Type No(s). 0134, 0142.	<b>1022</b>	<b>★△690971</b>	Gasket-Rocker Cover
<b>774</b>	<b>695447</b>	Screw (Stop Wire)	<b>918</b>	<b>499214</b>	Hose-Vacuum Used on Type No(s). 0141, 0154.	<b>1023</b>	<b>697691</b>	Cover-Rocker Arm
<b>783</b>	<b>693713</b>	Gear-Pinion	<b>950</b>	<b>695407</b>	Screw-Float Bowl ----- <b>Note</b> ----- <b>691657</b> Screw-Float Bowl Used on Type No(s). 0100, 0114.	<b>1026</b>	<b>695177</b>	Rod-Push
<b>797</b>	<b>693167</b>	Nut (Brush Retainer)	<b>951</b>	<b>699961</b>	Shaft-Choke (Used After Code Date 04010500)	<b>1029</b>	<b>690972</b>	Arm-Rocker Label-Emissions (Available from an Authorized Briggs & Stratton Service Dealer)
<b>798</b>	<b>697890</b>	Screw (Rocker Arm)	<b>955</b>	<b>695659</b>	Plug-Carburetor	<b>1036</b>		
<b>799</b>	<b>695446</b>	Screw	<b>957</b>	<b>694261</b>	Cap-Fuel Tank (Plastic)	<b>1046</b>	<b>691337</b>	Plug-Blower Housing Used on Type No(s). 0143.
<b>801</b>	<b>694482</b>	Cap-Drive	<b>958</b>	<b>698180</b>	Valve-Fuel Shut Off (Plastic)	<b>1051</b>	<b>691265</b>	Ring-Retaining Used on Type No(s). 0143.
<b>802</b>	<b>691286</b>	Cap-End	<b>967</b>	<b>491435</b>	Filter-Pre Cleaner	<b>1052A</b>	<b>790274</b>	Sensor-Oil
<b>803</b>	<b>693757</b>	Housing-Starter	<b>968</b>	<b>697061</b>	Cover-Air Cleaner	<b>1058</b>	<b>275092</b>	Manual-Operator's
<b>813</b>	<b>690635</b>	Clamp	<b>968A</b>	<b>692321</b>	Cover-Air Cleaner	<b>1070</b>	<b>691183</b>	Screw (Flywheel Fan)
<b>832</b>	<b>695386</b>	Guard-Muffler				<b>1090</b>	<b>691293</b>	Retainer-Brush
<b>836</b>	<b>695312</b>	Screw (Muffler Guard) (Used After Code Date 01061000) ----- <b>Note</b> ----- <b>690367</b> Screw (Muffler Guard) (Used Before Code Date 01061100)				<b>1095</b>	<b>695440</b>	Gasket Set-Valve
						<b>1100</b>	<b>690973</b>	Pivot-Rocker Arm

★ Included in Engine Gasket Set-Ref. No.358.

● Included in Carburetor Overhaul Kit-Ref. No. 121.

◆ Included in Carburetor Gasket Set-Ref. No. 977.

△ Included in Valve Gasket Set-Ref. No 1095.

**Illustrations cover a range of engines. Parts shown without corresponding text may not be used on your specific engine.**

**204400**

REF. NO.	PART NO.	DESCRIPTION	REF. NO.	PART NO.	DESCRIPTION	REF. NO.	PART NO.	DESCRIPTION
1119	691058	Screw (Alternator) ----- <b>Note</b> ----- <b>691183</b> Screw (Alternator) Used on Type No(s). 0110, 0115, 0129, 0141, 0143, 0154, 0164, 0168, 0214.	1171	696754	Stud (Rocker Cover) Used on Type No(s). 0134, 0142, 0147, 0150, 0151, 0156, 0163, 0164, 0168.	1211	498144	Pulley/Spring Assembly (Spring)
1127A	695407	Screw (Float Bowl)	1194	691876	Seal-O Ring (Plug)	1230	791754	Stud (Control Bracket)
1138	694255	Nut (Control Bracket)	1210	498144	Pulley/Spring Assembly (Pulley)	1298	696757	Nut (Heat Shield)
						1330	272147	Repair Manual
						1404	696757	Nut (Control Cover)

★ Included in Engine Gasket Set-Ref. No.358.

● Included in Carburetor Overhaul Kit-Ref. No. 121.

◆ Included in Carburetor Gasket Set-Ref. No. 977.

△ Included in Valve Gasket Set-Ref. No 1095.

**Illustrations cover a range of engines. Parts shown without corresponding text may not be used on your specific engine.**