

196400

Illustrated Parts List

Model Series

196400

TYPE NUMBERS
0004 through 1247.

TABLE OF CONTENTS

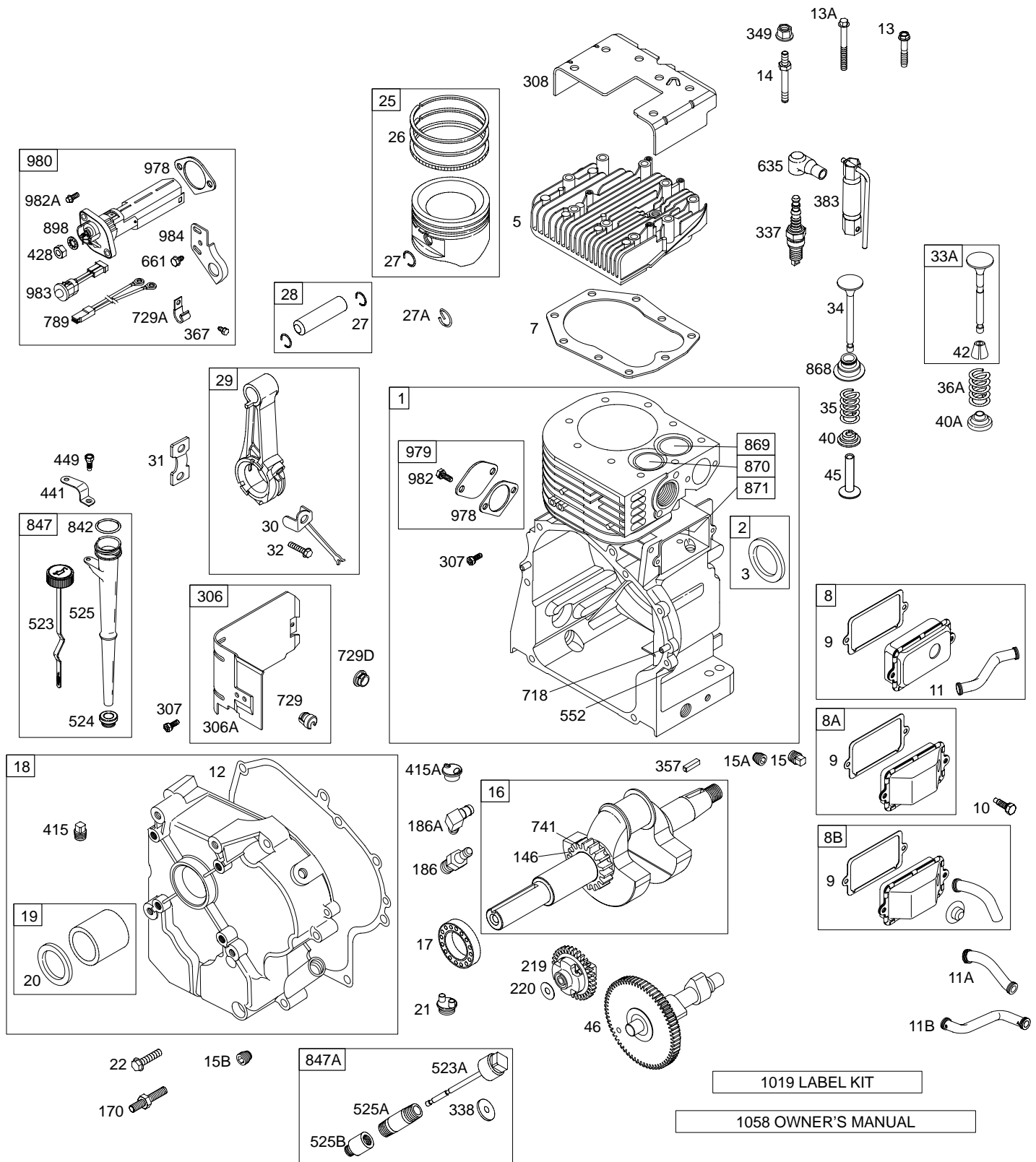
Air Cleaner Group	4
Alternator	8
Blower Housing/Shrouds	5
Cam	2
Carburetor	3
Controls	7
Crankcase Cover/Sump	2
Crankshaft	2
Cylinder Group	2
Electric Starter	6
Flywheel Group	6
Fuel Tank Group	7
Gear Reducer	8
Governor Spring	7
Head	2
Ignition	6
Kits/Gaskets-Carburetor	3
Kits/Gaskets-Valve	8
Muffler	4
Oil	2
Piston Group	2
Rewind	5
Valves	2

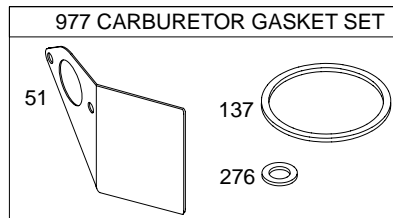
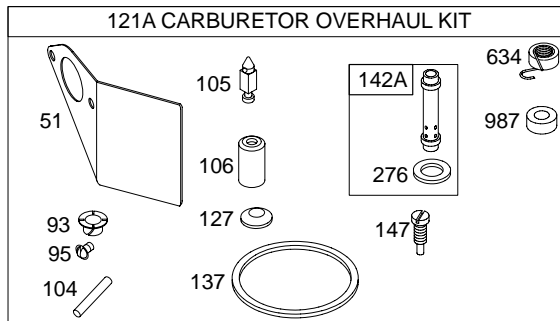
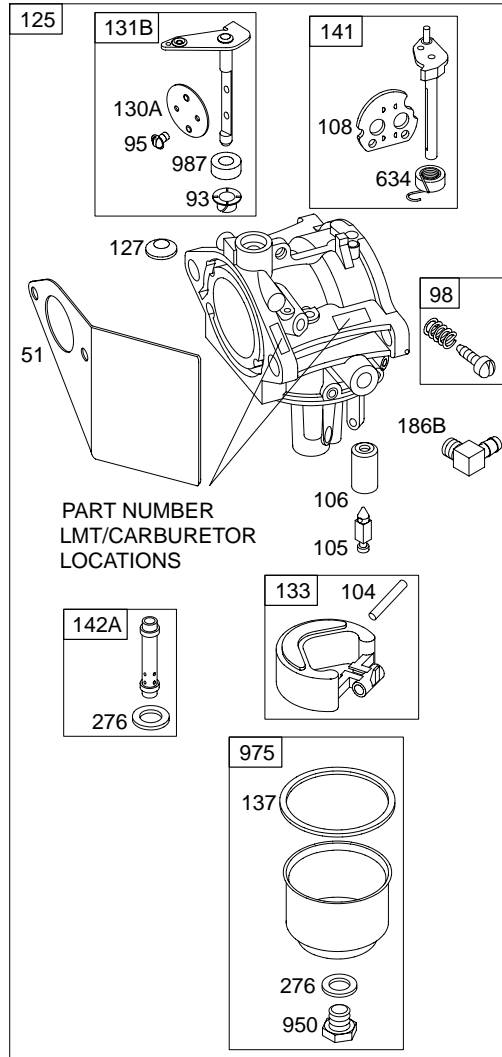
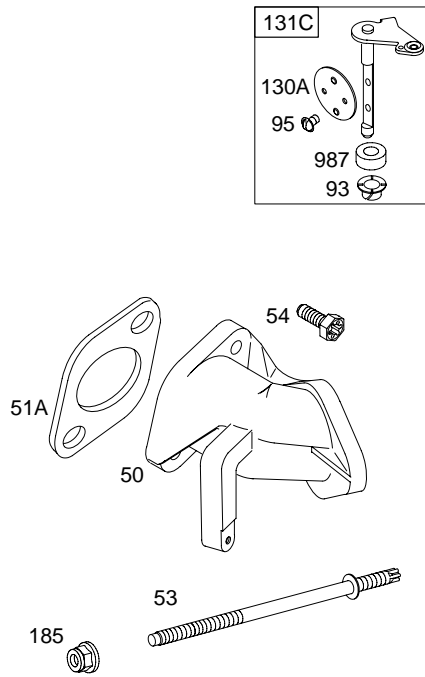


PRINTED IN U.S.A.

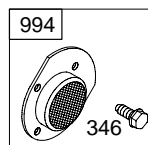
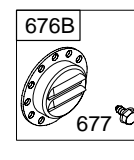
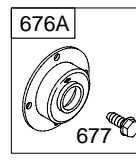
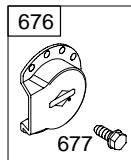
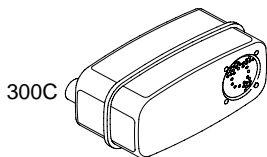
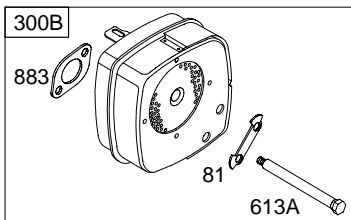
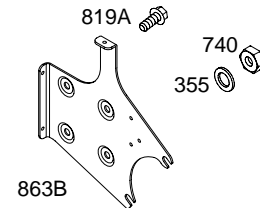
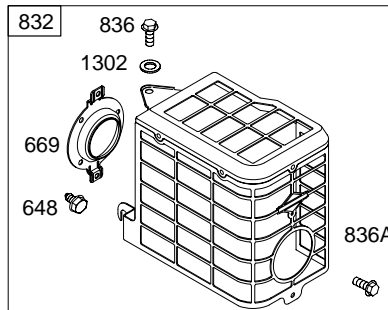
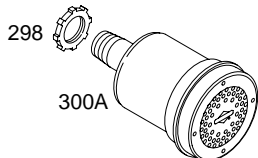
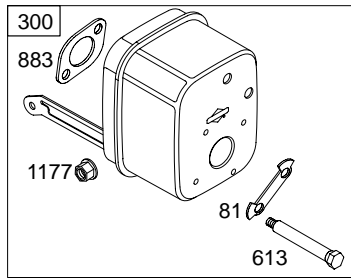
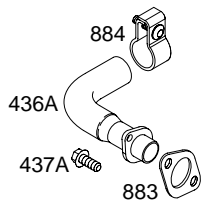
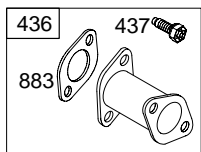
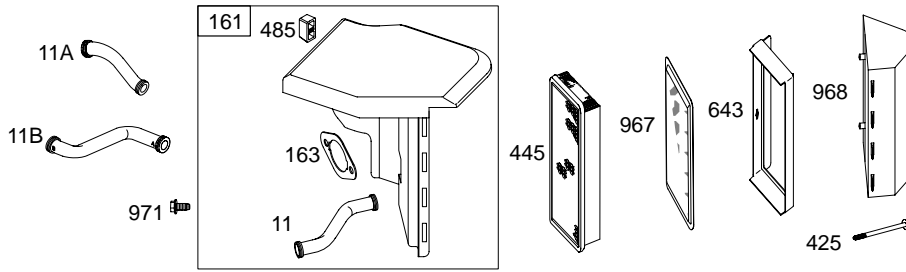
COPYRIGHT by BRIGGS & STRATTON CORPORATION
 All rights reserved. No part of this material may be reproduced or transmitted, in any form or by any means, electronic or mechanical, including photocopying, recording or by any information storage and retrieval system, without permission in writing from Briggs & Stratton Corporation.

196400



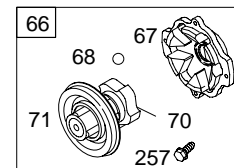
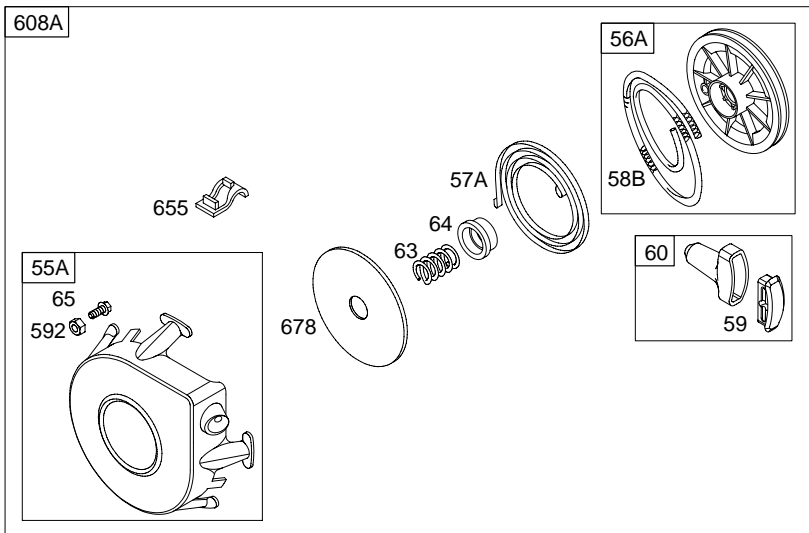
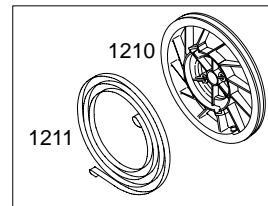
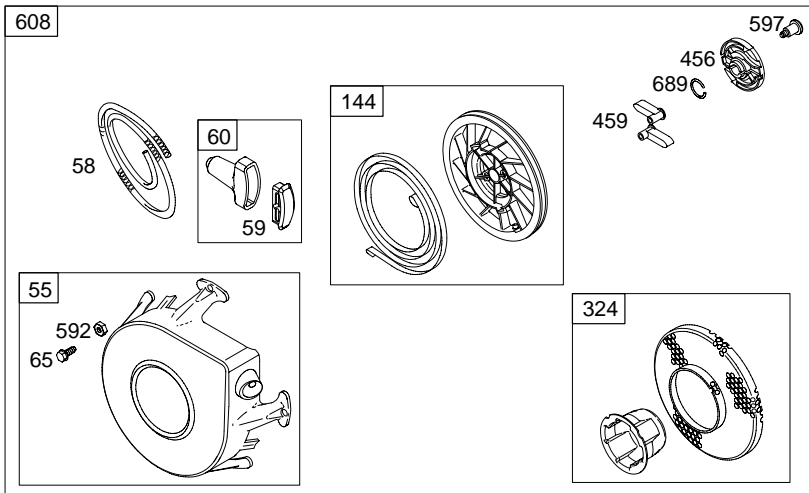
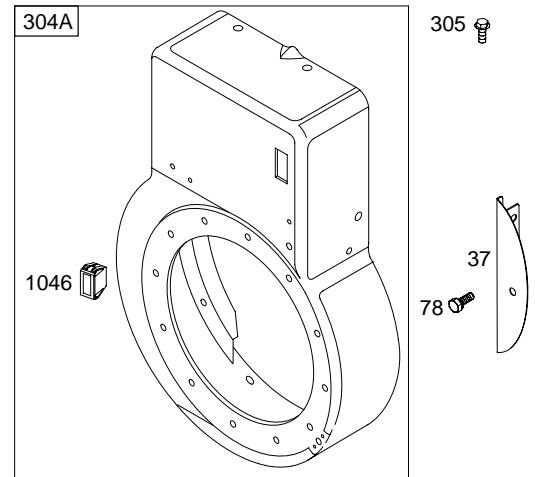
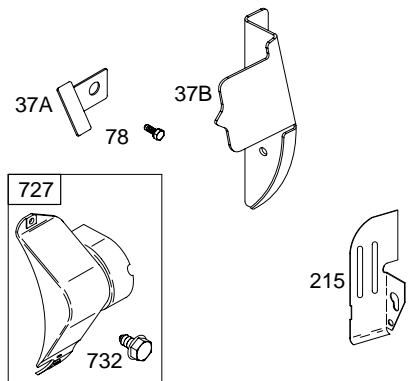


196400

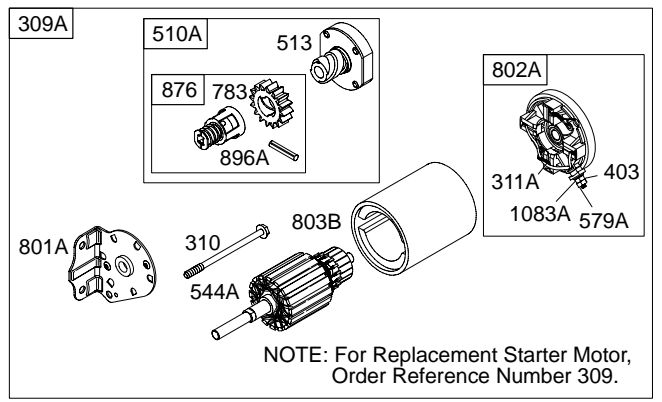
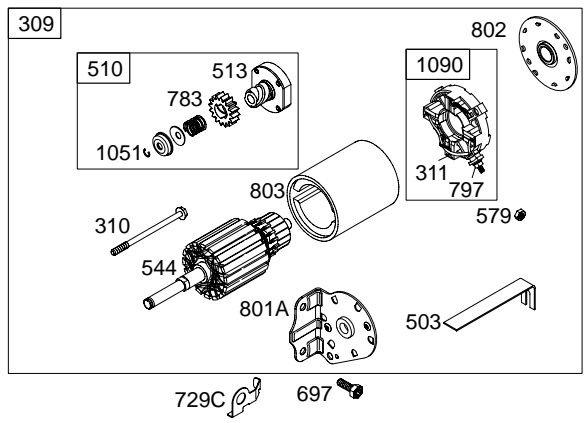
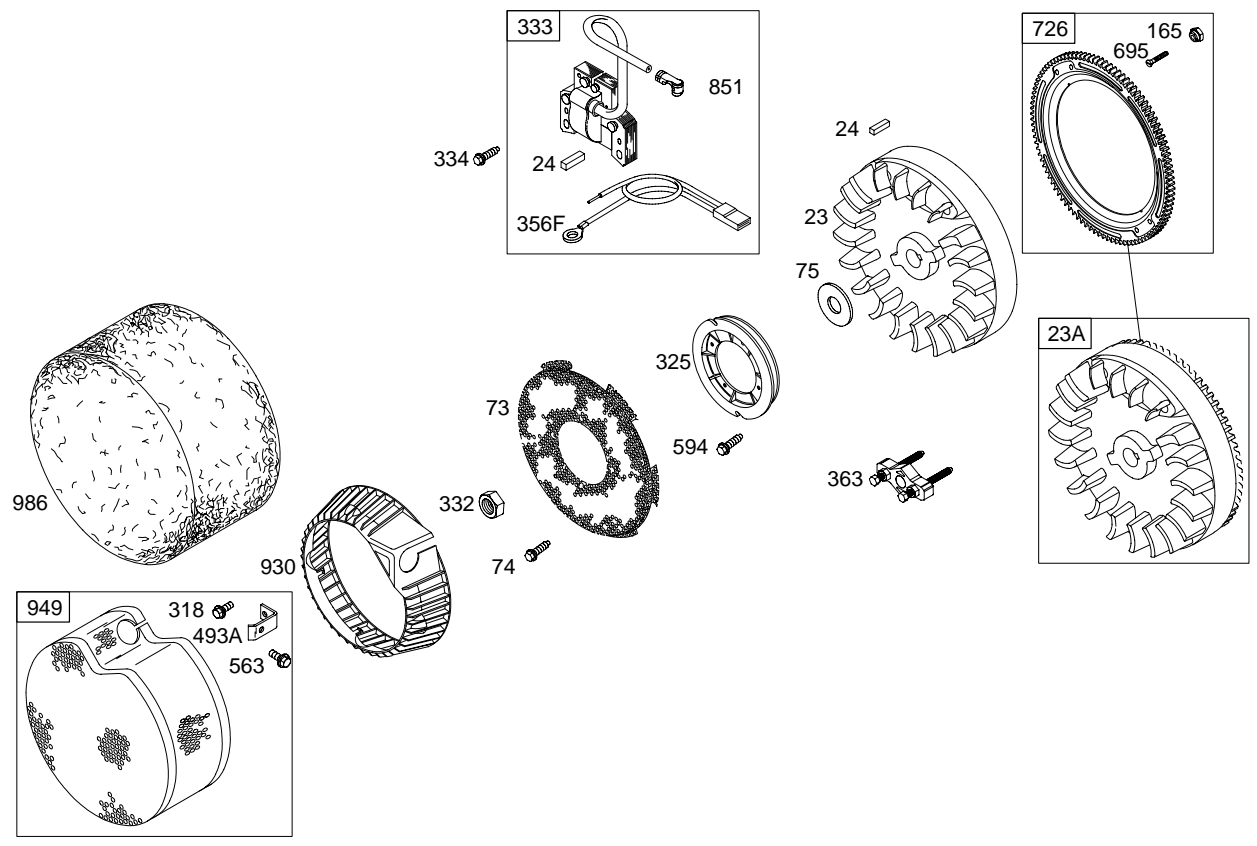


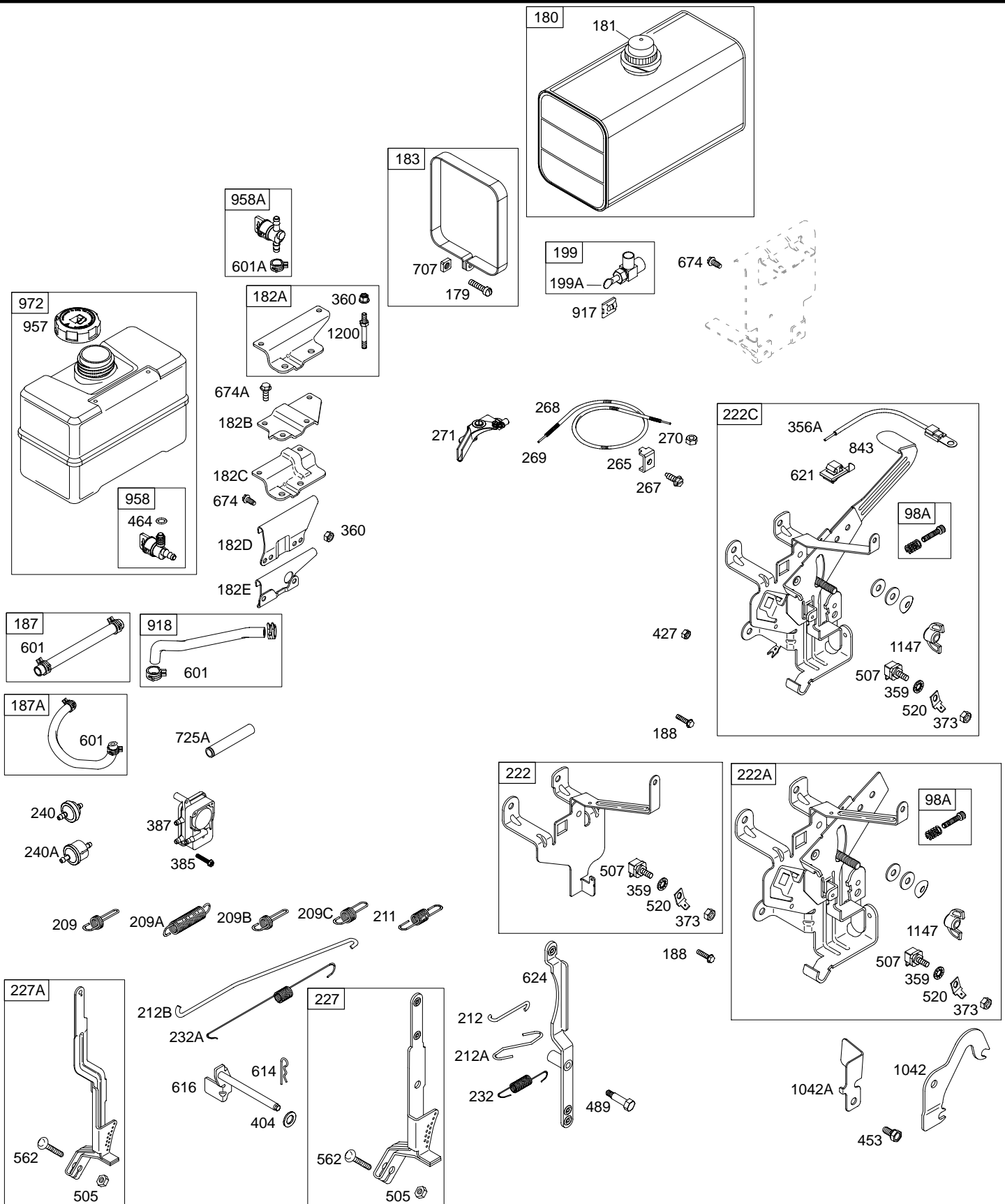
1036 EMISSIONS LABEL

347 



196400

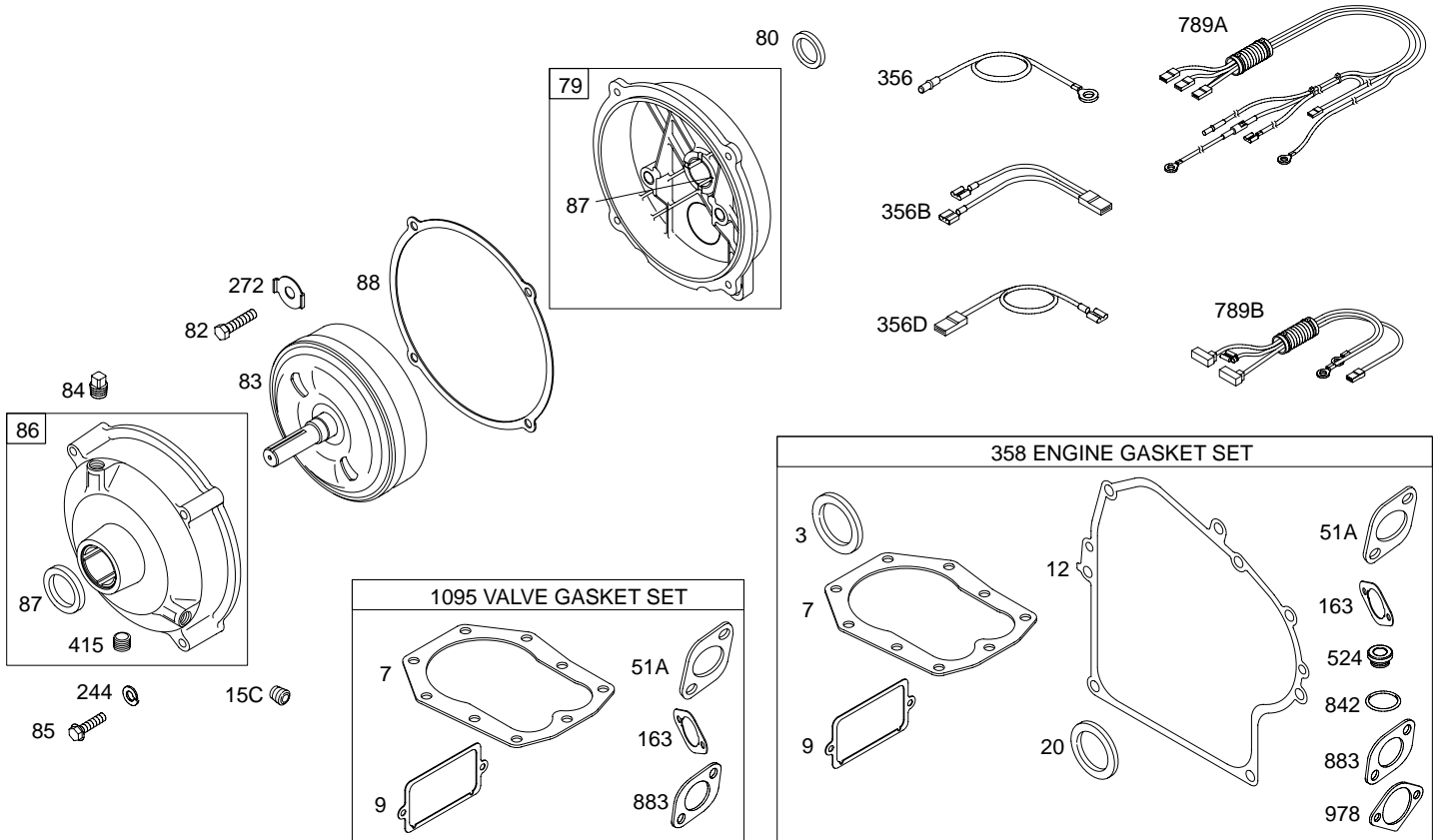
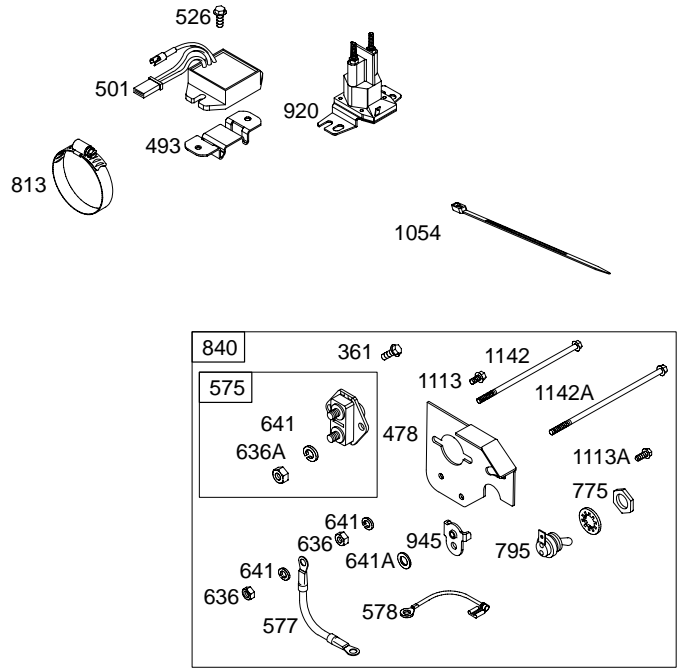




196400

DC ONLY	10 AMP	DUAL CIRCUIT
SEE FLYWHEEL ASSEMBLY	SEE FLYWHEEL ASSEMBLY	SEE FLYWHEEL ASSEMBLY
474 877 	474B 877B 	474A 877A
1059 	1059 	1059
578A 	578A 	878

NOTE: ALL OLD STYLE STATORS USE REFERENCE NUMBER 1119 MOUNTING SCREW



REF. NO.	PART NO.	DESCRIPTION	REF. NO.	PART NO.	DESCRIPTION	REF. NO.	PART NO.	DESCRIPTION
1	495656	Cylinder Assembly	15	690946	Plug—Oil Drain (Opposite side of Carburetor)			495788 Crankshaft Used on Type No(s). 0116, 0133, 0134, 0144, 0145, 0148, 0163, 0634, 0663, 1016, 1033, 1063, 1116, 1133, 1134, 1145, 1163.
2	495657	Kit—Bushing/Seal (Magneto Side)			———— Note ————			
3	★391086	Seal—Oil (Magneto Side)			690289 Plug—Oil Drain (Magnetic) (Carburetor Side)			
5	691715	Head—Cylinder	15A	691680	Plug—Oil Drain (Square Socket)			495789 Crankshaft Used on Type No(s). 0009, 0047, 0057, 0114, 0547, 1009, 1047, 1057, 1114.
7	★∅272163	Gasket—Cylinder Head	15B	690343	Plug—Oil Drain (1/8" Hex Socket)			
8	498038	Breather Assembly (Used After Code Date 95040200).	15C	691682	Plug—Oil Drain (1/4" Hex Socket)			
8A	495736	Breather Assembly (Used After Code Date 95010100 and Before Code Date 95040300).	16	495790	Crankshaft			495866 Crankshaft Used on Type No(s). 0065, 0132, 0180, 0223, 0565, 1065, 1132, 1223.
8B	497710	Breather Assembly (Used Before Code Date 95010200).			———— Note ————			
9	★∅27803	Gasket—Breather			495648 Crankshaft Used on Type No(s). 0004, 0022, 0149, 0162, 1004, 1022, 1105, 1123, 1149, 1162, 1231, 1236.			495884 Crankshaft Used on Type No(s). 0117, 0129, 0653 0702, 1036, 1129, 1144, 1153, 1202.
10	691666	Screw (Breather Assembly)			495655 Crankshaft Used on Type No(s). 0005, 0010, 0033, 0035, 0039, 0041, 0101, 0115, 0135, 0138, 0146, 0150, 0151, 0152, 0164, 0170, 0175, 0176, 0182, 0197, 0198, 0225, 0513, 0533, 0535, 0541, 0615, 0624, 0630, 0635, 0646, 0650, 0666, 0667, 0674, 0675, 0685, 0690, 1005, 1010, 1013, 1022, 1033, 1035, 1036, 1039, 1041, 1080, 1101, 1115, 1123, 1124, 1126, 1130, 1135, 1146, 1149, 1150, 1151, 1152, 1155, 1164, 1166, 1167, 1175, 1183, 1184, 1197, 1198, 1226, 1227, 1237, 1238, 1240, 1247.			497146 Crankshaft Used on Type No(s). 0121, 0127, 0621, 0627, 1121. 497155 Crankshaft Used on Type No(s). 0112, 0140. 499531 Crankshaft Used on Type No(s). 0165, 1165, 1244.
11	691907	Tube—Breather (Used After Code Date 95040200).						
11A	691899	Tube—Breather (Used After Code Date 95010100 and Before Code Date 95040300).						
11B	281426	Tube—Breather (Used Before Code Date 95010200).						
12	★692221	Gasket—Crankcase (.015" Thick)						
		———— Note ————						
		★27876 Gasket— Crankcase (.005" Thick)						
		★27877 Gasket— Crankcase (.009" Thick)						
13	691651	Screw (Cylinder Head) (2 1/2" Long)						
13A	690904	Screw (Cylinder Head) (3" Long)						
14	691690	Stud (Cylinder Head) (2 1/2" Long)			690834 Crankshaft Used on Type No(s). 0011, 0048, 0049, 0051, 0103, 0549, 0559, 1011, 1024, 1048, 1049, 1059, 1061, 1136.			
		———— Note ————						
		691109 Stud (Cylinder Head) (3" Long)						
						17	691069	Bearing—Ball

★ Engine Gasket Set—Reference 358
● Carburetor Overhaul Kit—Reference 121

◆ Carburetor Gasket Set—Reference 977
∅ Valve Gasket Set—Reference 1095

196400

REF. NO.	PART NO.	DESCRIPTION	REF. NO.	PART NO.	DESCRIPTION	REF. NO.	PART NO.	DESCRIPTION
18	496981	Cover-Crankcase Note 496979 Cover-Crankcase Used on Type No(s). 0116, 0133, 0134, 0145, 0148, 0163, 0634, 0663, 1016, 1033, 1063, 1116, 1133, 1134, 1145, 1163. 496980 Cover-Crankcase (No Longer Available) Used on Type No(s). 0007, 0065, 0114, 0121, 0127, 0129, 0132, 0140, 0143, 0152, 0166, 0167, 0180, 0181, 0565, 0621, 0624, 0627, 0630, 0690, 1007, 1036, 1065, 1121, 1124, 1129, 1130, 1132, 1143, 1144, 1152, 1181. 496982 Cover-Crankcase Used on Type No(s). 0004, 0022, 0149, 0162, 0165, 0522, 1004, 1022, 1105, 1123, 1149, 1162, 1165, 1231, 1236, 1244. 496983 Cover-Crankcase Used on Type No(s). 0011, 0048, 0049, 0051, 0103, 0117, 0549, 0668, 0703, 1011, 1024, 1048, 1049, 1059, 1061, 1136. 496984 Cover-Crankcase Used on Type No(s). 0171, 0172, 0671, 1171, 1172.	20	★391086	Seal-Oil (PTO Side)	29	390401	Rod-Connecting (Standard)
			21	281658	Cap-Oil Fill			Note 390773 Rod-Connecting (.020" Undersize)
			22	693972	Screw (Crankcase Cover/Sump)	30	691728	Dipper-Connecting Rod
			23	690615	Flywheel (Rewind Start)	31	222114	Lock-Rod Screw
			23A	691354	Flywheel (Electric Start)	32	690352	Screw (Connecting Rod)
			24	222698	Key-Flywheel	33A	691794	Valve-Exhaust
			25	499960	Piston Assembly (Standard) Note 499962 Piston Assembly (.020" Oversize)	34	261055	Valve-Intake
			26	690014	Ring Set (Standard) Note 299743 Ring Set (Standard) (Chrome) 690016 Ring Set (.020" Oversize)	35	691605	Spring-Valve (Intake)
			27	690975	Lock-Piston Pin (Used After Code Date 96102700).	36A	691597	Spring-Valve (Exhaust)
			27A	691073	Lock-Piston Pin (Used Before Code Date 96102800).	37	690411	Guard-Flywheel
			28	499302	Pin-Piston (Standard) Note 499303 Pin-Piston (.005" Oversize)	37A	690488	Guard-Flywheel
						37B	690490	Guard-Flywheel
						40	690656	Retainer-Valve (Intake)
						40A	691939	Retainer-Valve (Exhaust) Note 690274 Retainer-Valve (Exhaust) Used on Type No(s). 0011, 1011.
19	295964	Kit-Bushing/Seal (PTO Side)				42	494553	Keeper-Valve (Exhaust)
						45	691793	Tappet-Valve
						46	691167	Camshaft
						50	691157	Manifold-Intake
						51	◆691886	Gasket-Intake (Intake Manifold to Carburetor)
						51A	★∅691885	Gasket-Intake (Intake Manifold to Engine)
						53	691672	Stud (Carburetor)
						54	93208	Screw (Intake Manifold)
						55	693904	Housing-Rewind Starter (Used After Code Date 99022800).
						55A	393576	Housing-Rewind Starter (Used Before Code Date 99030100).
						56A	295871	Pulley-Starter (Used Before Code Date 99030100).

★ Engine Gasket Set-Reference 358
● Carburetor Overhaul Kit-Reference 121

◆ Carburetor Gasket Set-Reference 977
∅ Valve Gasket Set-Reference 1095

REF. NO.	PART NO.	DESCRIPTION	REF. NO.	PART NO.	DESCRIPTION	REF. NO.	PART NO.	DESCRIPTION
57A	490179	Spring—Rewind Starter (Used Before Code Date 99030100).	86	690613	Cover—Gear			1172, 1175, 1181,
			87	391086	Seal—Gear Reduction			1183, 1184, 1197,
58	693389	Rope—Starter (70" Long)	88	691601	Gasket—Gear Reduction Cover			1198, 1202, 1215, 1223, 1226, 1227,
58B	692188	Rope—Starter (63" Long)	93	●690602	Bushing—Throttle Shaft			1230, 1231, 1232,
59	490653	Insert—Grip	94	494383	Kit—Idle Mixture			1233, 1236, 1237,
60	490652	Grip—Starter Rope	94B	498836	Kit—Idle Mixture (LMT 119)			1240, 1241, 1243, 1244, 1247.
63	690547	Spring—Ratchet (Used Before Code Date 99030100).	95	●691636	Screw (Throttle Valve)			498838 Carburetor (LMT 119)
64	691920	Adapter—Ratchet Spring (Used Before Code Date 99030100).	98	495800	Kit—Idle Speed (Carburetor)			(Used Before Code Date 97100200).
65	690759	Screw (Rewind Starter)	98A	493280	Kit—Idle Speed (Control Bracket)			Used on Type No(s). 0225, 0506, 0513,
66	399671	Clutch—Starter (Used Before Code Date 99030100).	104	●690525	Pin—Float Hinge			0522, 0533, 0535,
67	394897	Housing—Clutch (Used Before Code Date 99030100).	105	●691782	Valve—Float Needle			0541, 0542, 0547,
68	691604	Ball—Clutch (Used Before Code Date 99030100).	106	●691780	Seat—Inlet			0549, 0559, 0565, 0570, 0615, 0621,
70	691945	Ratchet—Clutch (Used Before Code Date 99030100).			Note 690577 Seat—Inlet Used on Type No(s). 1234, 1235.			0624, 0627, 0630, 0634, 0635, 0646,
71	691359	Cover—Ratchet (Used Before Code Date 99030100).	108	692344	Valve—Choke			0650, 0653, 0663,
73	691754	Screen—Rotating (Used Before Code Date 99030100).	121A	497578	Kit—Carburetor Overhaul			0666, 0667, 0668, 0671, 0674, 0675,
74	691627	Screw (Rotating Screen)	125	497581	Carburetor (LMT 115, 171) (Used After Code Date 94083100).			0685, 0690, 0702, 0703, 1005, 1006, 1007, 1008, 1009, 1011, 1013, 1016,
75	690582	Washer (Flywheel)			Note 690117 Carburetor (LMT 190 P/N 499455) (Used After Code Date 97100100).			1022, 1030, 1033, 1035, 1039, 1041, 1042, 1047, 1048, 1049, 1050, 1057, 1065, 1070, 1073, 1101, 1113, 1114, 1115, 1116, 1121, 1124, 1129, 1130, 1132, 1133, 1134, 1143, 1145, 1146, 1149, 1150, 1152,
78	690364	Screw (Flywheel Guard)			1036, 1039, 1041, 1042, 1047, 1048, 1049, 1050, 1057, 1059, 1061, 1063, 1065, 1070, 1073, 1080, 1101, 1113, 1114, 1115, 1116, 1121, 1123, 1124, 1126, 1129, 1130, 1132, 1133, 1134, 1135, 1143, 1144, 1145, 1146, 1149, 1150, 1151, 1152, 1153, 1155, 1162, 1163, 1164, 1165, 1166, 1167, 1171,			1153, 1162, 1163, 1164, 1165, 1167, 1171, 1172, 1175, 1181, 1198, 1202, 1215, 1223, 1226.
79	690614	Case—Gear Reduction						694571 Carburetor Used on Type No(s). 1234, 1235.
80	691603	Gasket—Gear Case						497038 Carburetor (LMT 69, 103) (Used Before Code Date 94090100).
81	691729	Lock—Muffler Screw						
82	690287	Screw (Gear Reduction Case)						
83	690387	Shaft—Auxillary Drive						
84	691121	Plug—Breather						
85	691076	Screw (Gear Cover to Gear Reduction Case)						

★ Engine Gasket Set—Reference 358
● Carburetor Overhaul Kit—Reference 121

◆ Carburetor Gasket Set—Reference 977
⊗ Valve Gasket Set—Reference 1095

196400

REF. NO.	PART NO.	DESCRIPTION	REF. NO.	PART NO.	DESCRIPTION	REF. NO.	PART NO.	DESCRIPTION
127	●694524	Plug–Welch	170	691695	Stud (Crankcase Cover/Sump) (1 3/4" Long)	211	691307	Spring–Governed Idle
130A	690468	Valve–Throttle				212	691853	Link–Throttle (Linkage Lever to Throttle Shaft)
131B	693602	Kit–Throttle Shaft (Used After Code Date 94083100).	179	690280	Screw (Fuel Tank Strap)	212A	691854	Link–Throttle (Governor Control Lever to Linkage Lever)
131C	497042	Kit–Throttle Shaft (Used Before Code Date 94090100).	180	291488	Tank–Fuel (6 Quart)	212B	262970	Link–Throttle (Governor Control Lever to Throttle Shaft)
133	494381	Float–Carburetor	181	392305	Cap–Fuel Tank	215	691170	Guide–Air
137	●281165	Gasket–Float Bowl	182A	495664	Bracket–Fuel Tank	219	496786	Gear–Governor
141	497043	Kit–Choke Shaft	182B	691199	Bracket–Fuel Tank	220	691724	Washer (Governor Gear)
142A	●499094	Nozzle–Carburetor (Standard) (LMT 171)	182C	695451	Bracket–Fuel Tank	222	694182	Bracket–Control Used on Type No(s). 1073, 1171, 1172.
		Note	182D	694592	Bracket–Fuel Tank	222A	691480	Bracket–Control (Used After Code Date 97042700).
		690121 Nozzle– Carburetor (Standard) (LMT 190)	182E	690486	Bracket–Fuel Tank			Note
		691430 Nozzle– Carburetor (Standard) (LMT 119)	183	691937	Strap–Fuel Tank			497076 Bracket– Control (Used Before Code Date 97042800).
		●497196 Nozzle– Carburetor (Standard) (LMT 69, 103, 115)	185	690958	Nut (Air Cleaner Base)	222C	691478	Bracket–Control (Used After Code Date 97042700).
143	690122	Nozzle–Carburetor (High Altitude, (LMT 190)	186	691764	Connector–Hose			695580 Bracket– Control Used on Type No(s). 1129, 1130, 1215, 1243, 1244.
		499111 Nozzle– Carburetor (High Altitude) (LMT 171)	186A	691609	Connector–Hose			Note
		497660 Nozzle– Carburetor (High Altitude) (LMT 119)	186B	692317	Connector–Hose (Carburetor)			499722 Bracket– Control (Used Before Code Date 97042800).
		497040 Nozzle– Carburetor (High Altitude) (LMT 69, 103, 115)	187	296004	Line–Fuel (Cut to Required Length)	227	692143	Lever–Governor Control (Short Lever)
144	697843	Pulley/Spring Assembly	187A	497029	Line–Fuel (Molded)	227A	496253	Lever–Governor Control (Long Lever)
146	690979	Key–Timing	188	691693	Screw (Control Bracket)	232	691848	Spring–Governor Link
147	●497472	Jet–Pilot (LMT 69, 103, 115)	199	692302	Valve–Fuel Shut Off	232A	691846	Spring–Governor Link
		Note	199A	691940	Valve–Fuel Shut Off			
		691258 Jet–Pilot (LMT 119)	209	692136	Spring–Governor (Yellow) (Used After Code Date 97042700).			
161	498544	Base–Air Cleaner	209A	260723	Spring–Governor (Used Before Code Date 94090100).			
163	★∅692277	Gasket–Air Cleaner	209B	691309	Spring–Governor (Blue) (Used After Code Date 97042700).			
165	693148	Nut (Ring Gear)	209C	263054	Spring–Governor (Used After Code Date 94083100 and Before Code Date 97042800).			

★ Engine Gasket Set–Reference 358
● Carburetor Overhaul Kit–Reference 121

◆ Carburetor Gasket Set–Reference 977
∅ Valve Gasket Set–Reference 1095

REF. NO.	PART NO.	DESCRIPTION	REF. NO.	PART NO.	DESCRIPTION	REF. NO.	PART NO.	DESCRIPTION
240	394358	Filter-Fuel ----- Note ----- 298090 Filter-Fuel Used on Type No(s). 0160, 0174, 1235.	304A	497142	Housing-Blower (Rewind Start) ----- Note ----- 497143 Housing- Blower (Electric Start) Used on Type No(s). 0008, 0010, 0030, 0039, 0041, 0042, 0048, 0057, 0114, 0127, 0133, 0140, 0143, 0148, 0149, 0164, 0166, 0170, 0172, 0175, 0176, 0542, 0627, 0634, 0665, 0667, 0675, 0685, 1030, 1033, 1041, 1042, 1080, 1133, 1164, 1167, 1172, 1175, 1232, 1234, 1236, 1237, 1240.	337	802592	Plug-Spark (Resistor Type) ----- Note ----- 492167 Plug-Spark Used on Type No(s). 0138, 0143, 0166, 0167.
240A	691035	Filter-Fuel Used on Type No(s). 0140, 1240.				338	690270	Gasket-Dipstick
244	691075	Washer (Gear Reduction Case)				346	690661	Screw (Spark Arrester)
257	691660	Screw (Starter Clutch) (Used Before Code Date 99030100).				347	495098	Switch-Rocker
265	691024	Clamp-Casing				349	691105	Nut (Cylinder Head Cover)
267	690804	Screw (Casing Clamp)				355	690310	Washer (Muffler Bracket)
268	691025	Casing-Control Wire (Cut to Required Length)				356	691408	Wire-Stop
269	691026	Wire-Control (Cut to Required Length)				356A	692149	Wire-Stop
270	691027	Nut (Control Wire Casing)				356B	398838	Wire-Stop
271	691028	Lever-Control				356D	491927	Wire-Stop
272	691168	Lock-Screw Head				356F	398808	Wire-Stop
276	692255	Washer-Sealing				357	691483	Key-Drive Pulley
298	690453	Locknut-Muffler/Elbow				358	497070	Gasket Set-Engine
300	497141	Muffler (Super Lo Tone)	305	692198	Screw (Blower Housing)	359	691077	Washer (Ground Terminal)
300A	692025	Muffler (Round Lo Tone)	306	496797	Shield-Cylinder	360	691105	Nut (Fuel Tank Bracket)
300B	691951	Muffler (Lo Tone)	306A	224898	Shield-Cylinder	361	691681	Screw (Starting Switch)
300C	498984	Muffler (Super Lo Tone)	307	691003	Screw (Cylinder Shield)	363	19203	Puller-Flywheel
			308	691201	Cover-Cylinder Head	367	691058	Screw (Wire Clip) (OIL GARD® Kit)
			309	693054	Motor-Starter (For Replacement Starter Motor, Order Reference 309)	373	691612	Nut (Ground Terminal)
			309A		Motor-Starter (For Replacement Starter Motor, Order Reference 309)	383	89838	Wrench-Spark Plug
			310	690323	Bolt (Starter Motor)	385	691673	Screw (Fuel Pump)
			311	497608	Brush Set	387	692026	Pump-Fuel
			311A	395538	Brush Set (3 5/8" Housing Length)	403	690288	Washer (End Cap)
			318	692849	Screw (Mounting Bracket)	404	691691	Washer (Governor Crank)
			324	695160	Screen/Cup Assembly (Used After Code Date 99022800).	413	691029	Nut (Starter Motor)
			325	691903	Pulley-Rope Starter	415	690283	Plug (Crankcase Cover)
			332	693899	Nut (Flywheel) (Used After Code Date 99022800).	415A	693463	Plug (Cylinder)
			333	398811	Armature-Magneto	425	691671	Screw (Air Cleaner Cover)
			334	691061	Screw (Magneto Armature)	427	690355	Nut (Control Bracket)
						428	691612	Nut (OIL GARD® Kit)
						436	497140	Manifold-Exhaust
						436A	690797	Manifold-Exhaust

★ Engine Gasket Set-Reference 358
● Carburetor Overhaul Kit-Reference 121

◆ Carburetor Gasket Set-Reference 977
⊘ Valve Gasket Set-Reference 1095

196400

REF. NO.	PART NO.	DESCRIPTION	REF. NO.	PART NO.	DESCRIPTION	REF. NO.	PART NO.	DESCRIPTION
437	691665	Screw (Exhaust Manifold)	526	690297	Screw (Regulator)	641	691075	Washer (Starting Switch)
437A	690810	Screw (Exhaust Manifold)	544	692034	Armature–Starter	641A	690282	Washer (Starting Switch)
441	690501	Bracket–Oil Fill	544A	390837	Armature–Starter (3 5/8" Housing Length)	643	691926	Retainer–Air Filter
445	691643	Filter–Air Cleaner Cartridge	552	491986	Bushing–Governor Crank	648	690661	Screw (Muffler Guard Bracket)
449	691130	Screw (Oil Fill Bracket)	562	691119	Bolt (Governor Control Lever)	655	691734	Anchor–Rewind Spring (Used Before Code Date 99030100).
453	691131	Screw (Electromagnetic Bracket)	563	690859	Screw (Debris Screen Guard)	661	690661	Screw (OIL GARD® Light Bracket)
456	692299	Plate–Pawl Friction (Used After Code Date 99022800).	575	692303	Switch–Starting	668	690500	Spacer (Used Before Code Date 99030100).
459	281505	Pawl–Ratchet (Used After Code Date 99022800).	577	690630	Cable–Starter	669	691228	Bracket–Muffler Guard
464	691898	Seal–O Ring (Fuel Shut–Off Valve)	578	690647	Wire Assembly (Panel Kit)	674	691058	Screw (Fuel Tank Bracket)
474	696578	Alternator (DC Only)	578A	692306	Wire Assembly (Alternator)	674A	690708	Screw (Fuel Tank Bracket)
474A	696459	Alternator (Dual Circuit)	579	691029	Nut (Starter Cable)	676	393757	Deflector–Muffler
474B	696458	Alternator (10 Amp)	579A	691626	Nut (Starter Cable)	Note		
478	395410	Panel	592	690800	Nut (Starter Rewind)	393761	Deflector– Muffler	Used on Type No(s). 0073, 0120, 1073.
485	692295	Knob–Control (Air Cleaner)	594	691692	Screw (Rope Starter Pulley)	676A	395700	
489	691776	Screw (Linkage Lever)	597	691696	Screw (Pawl Friction Plate) (Used After Code Date 99022800).	676B	393758	Deflector–Muffler
493	691177	Bracket–Mounting (Regulator)	601	95162	Clamp–Hose	677	690661	Screw (Muffler Deflector)
493A	692825	Bracket–Mounting (Debris Screen Guard)	601A	691038	Clamp–Hose	678	490817	Spacer–Rewind (Used Before Code Date 99030100).
501	691185	Regulator	608	693900	Starter–Rewind (70" Long) (Used After Code Date 99022800).	689	691855	Spring–Friction (Used After Code Date 99022800).
503	691532	Strap–Starter	608A	390391	Starter–Rewind (63" Long) (Used Before Code Date 99030100).	695	693109	Screw (Ring Gear)
505	691251	Nut (Governor Control Lever)	613	691351	Screw (Muffler)	697	690372	Screw (Drive Cap)
507	691972	Insulator	613A	691632	Screw (Muffler)	697B	691058	Screw (Drive Cap)
510	696541	Drive–Starter	614	691620	Pin–Cotter	707	690279	Nut (Fuel Tank Strap)
510A	696540	Drive–Starter	616	691405	Crank–Governor	718	690959	Pin–Locating
513	692024	Clutch–Drive	621	692310	Switch–Stop	725A	690403	Shield–Heat Used on Type No(s). 1234, 1235.
520	691084	Terminal–Ground	624	691415	Lever–Linkage	726	696537	Gear–Ring (Includes Mounting Hardware)
523	691386	Dipstick	634	●690802	Spring/Seal Assembly			
523A	691942	Dipstick	635	66538	Boot–Spark Plug			
524	★281370	Seal–Dipstick Tube	636	691029	Nut (Starting Switch)			
525	691389	Tube–Dipstick	636A	696198	Nut (Starting Switch)			
525A	91258	Tube–Dipstick						
525B	691257	Tube–Dipstick						

★ Engine Gasket Set–Reference 358
● Carburetor Overhaul Kit–Reference 121

◆ Carburetor Gasket Set–Reference 977
∅ Valve Gasket Set–Reference 1095

REF. NO.	PART NO.	DESCRIPTION	REF. NO.	PART NO.	DESCRIPTION	REF. NO.	PART NO.	DESCRIPTION	
727	395405	Cover–Starter Drive	836	690661	Screw (Muffler Guard)	972	691993	Tank–Fuel (4 Quart)	
729	690603	Clip–Wire (Cylinder Shield)	836A	692198	Screw (Muffler Guard)			Note _____	
729A	690430	Clip–Wire (OIL GARD® Kit)	840	395408	Kit–Panel	695164		Tank–Fuel (6 Quart)	
729B	224723	Clip–Wire (Starter Motor)	842	★691870	Seal–O Ring (Dipstick Tube)	975	495933	Bowl–Float	
729C	691224	Clip–Wire (Starter Motor)	843	691322	Sleeve–Lever (Control Bracket)	977	497069	Gasket Set–Carburetor	
729D	691336	Clip–Wire (Cylinder Shield)	847	399901	Dipstick/Tube Assembly	978	★273326	Gasket–Oil Gard®	
732	691097	Screw (Starter Drive Cover)	847A	493955	Dipstick/Tube Assembly	979	691382	Cover–Oil Gard®	
740	691105	Nut (Muffler Bracket)	851	493880	Terminal–Spark Plug	980	496605	Kit–Oil Gard®	
741	695708	Gear–Timing	863B	690454	Bracket–Muffler	982	690351	Screw (OIL GARD® Cover)	
775	690315	Nut (Toggle Switch)	868	692036	Seal–Valve	982A	690350	Screw (OIL GARD® Kit)	
783	693059	Gear–Pinion	869	691703	Seat–Valve (Intake)	983	398660	Light–Indicator	
789	398661	Harness–Wiring (OIL GARD® Kit)	870	691844	Seat–Valve (Exhaust)	984	692340	Bracket–OIL GARD® Light	
789A	691402	Harness–Wiring	871	261961	Bushing–Valve Guide (Exhaust)	986	271735	Filter–Debris Foam	
789B	691403	Harness–Wiring Used on Type No(s). 0006, 0007, 0008, 0009, 0030, 0042, 0050, 0070, 0112, 0113, 0120, 0171, 0172, 0181, 0182, 0197, 0506, 0542, 0570, 0671, 1006, 1007, 1008, 1009, 1030, 1042, 1050, 1070, 1080, 1113, 1171, 1172, 1181, 1197, 1232, 1233, 1234, 1235, 1241.			Note _____	987	●691326	Seal–Throttle Shaft	
					231218	Bushing–Valve Guide (Intake)	994	399541	Arrestor–Spark
			876	696539	Kit–Pinion Spring	1019	497156	Kit–Label	
			877	393814	Wire/Connector– Alternator	1036	696768	Label–Emissions (Used After Code Date 01073000).	
			877A	393456	Wire/Connector– Alternator			Note _____	
			877B	399916	Wire/Connector– Alternator	695696		Label– Emissions (Used After Code Date 00063000 and Before Code Date 01073100).	
			878	691237	Harness–Alternator	694988		Label– Emissions (Used After Code Date 99093000 and Before Code Date 00070100).	
			883	★∅692237	Gasket–Exhaust	694313		Label– Emissions (Used After Code Date 98123100 and Before Code Date 99100100).	
			884	691956	Clamp–Muffler	499354		Label– Emissions (Used Before Code Date 99010100 and After Code Date 97052500).	
			896A	691641	Pin–Drive Retainer	499353		Label– Emissions (Used Before Code Date 97052600).	
			898	691077	Washer (OIL GARD® Kit)	1042	692870	Bracket– Electromagnetic	
			917	691737	Handle–Shut Off Valve	1042A	691229	Bracket– Electromagnetic	
			918	497457	Hose–Vacuum (Molded)				
			920	691656	Solenoid–Starter				
			930	691904	Guard–Rewind				
			945	692132	Bracket–Starter Motor				
			949	397530	Guard–Debris Screen				
			950	691657	Screw–Float Bowl				
			955	695659	Plug–Carburetor				
			957	493988	Cap–Fuel Tank				
			958	698182	Valve–Fuel Shut-Off				
			958A	698183	Valve–Fuel Shut-Off				
			967	492889	Filter–Pre Cleaner				
			968	691925	Cover–Air Cleaner				
			971	691003	Screw (Air Cleaner Base to Carburetor)				

★ Engine Gasket Set–Reference 358
● Carburetor Overhaul Kit–Reference 121

◆ Carburetor Gasket Set–Reference 977
∅ Valve Gasket Set–Reference 1095

196400

REF. NO.	PART NO.	DESCRIPTION	REF. NO.	PART NO.	DESCRIPTION	REF. NO.	PART NO.	DESCRIPTION
1046	691337	Plug-Blower Housing	1142	690323	Screw (Starter Motor Bracket) (4 1/2" Long)	1200	691690	Stud (Fuel Tank Bracket)
1051	691265	Ring-Retaining				1210	498144	Pulley/Spring Assembly (Pulley) (Used After Code Date 00082000 and Before Code Date 01051100).
1054	280275	Tie-Cable	1142A	692329	Screw (Starter Motor Bracket) (5 1/3" Long)			
1058	274786	Owner's Manual						
1059	698516	Kit-Screw/Washer	1147	690355	Nut (Control Bracket)			
1083A	690958	Nut (End Cap)	1177	691105	Nut (Muffler)	1211	498144	Pulley/Spring Assembly (Spring) (Used After Code Date 00082000 and Before Code Date 01051100).
1090	691293	Retainer-Brush						
1091	691333	Cap-Limiter						
1095	498534	Gasket Set-Valve						
1113	691681	Screw (Panel)				1302	691113	Washer (Muffler Guard)
1113A	691693	Screw (Panel)						
1119	691183	Screw (Alternator)						

★ Engine Gasket Set-Reference 358
● Carburetor Overhaul Kit-Reference 121

◆ Carburetor Gasket Set-Reference 977
∅ Valve Gasket Set-Reference 1095