



# 15A100

## Illustrated Parts List

### Model Series

# 15A100

TYPE NUMBERS  
0007 through 0532.

### TABLE OF CONTENTS

<b>Blower Housing/Shrouds</b> .....	6
<b>Camshaft</b> .....	2
<b>Carburetor</b> .....	4
<b>Controls</b> .....	5
<b>Crankcase Cover</b> .....	2
<b>Crankshaft</b> .....	2
<b>Cylinder</b> .....	2
<b>Cylinder Head</b> .....	3
<b>Electric Starter</b> .....	5
<b>Exhaust System</b> .....	6
<b>Flywheel</b> .....	6
<b>Fuel Supply</b> .....	4
<b>Governor Spring</b> .....	5
<b>Ignition</b> .....	5
<b>Kits/Gaskets - Carburetor</b> .....	4
<b>Kits/Gaskets - Engine</b> .....	2
<b>Kits/Gaskets - Valves</b> .....	3
<b>Lubrication</b> .....	2
<b>Piston Group</b> .....	2
<b>Rewind Starter</b> .....	5



PRINTED IN U.S.A.

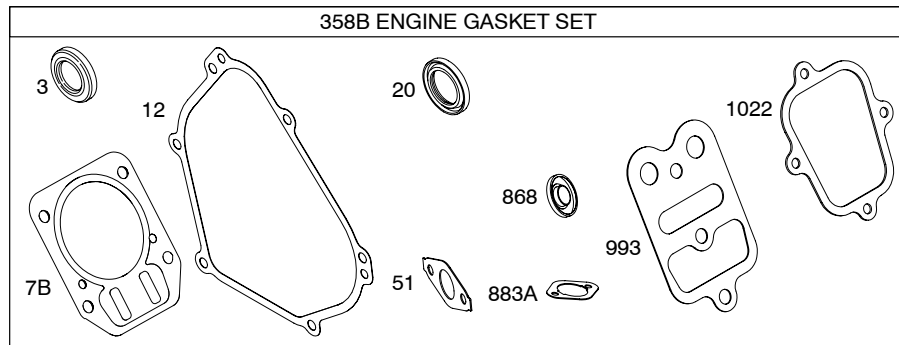
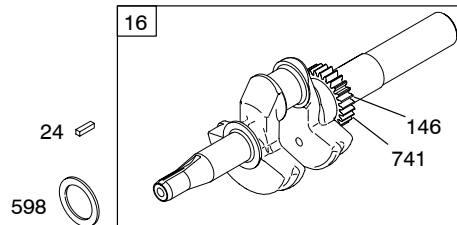
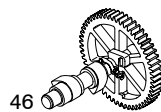
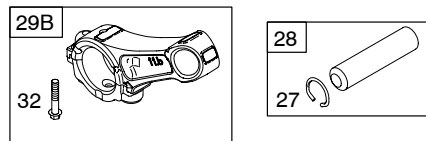
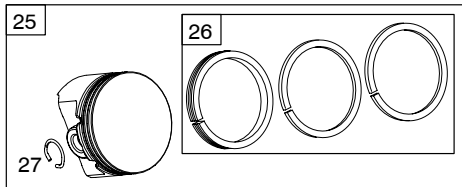
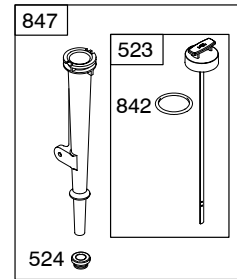
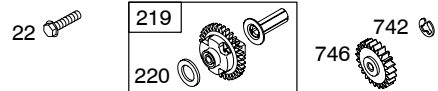
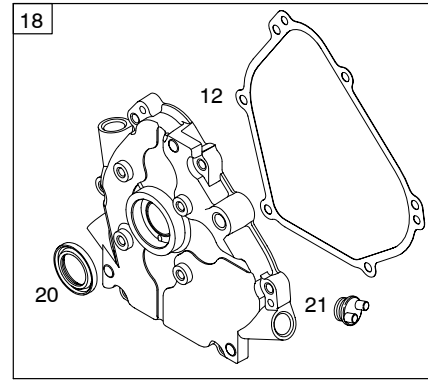
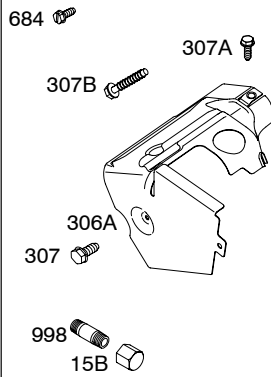
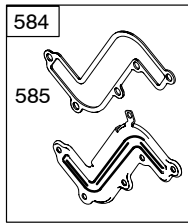
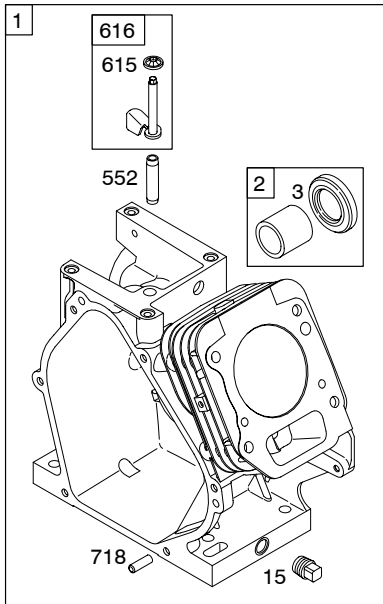
COPYRIGHT by BRIGGS & STRATTON CORPORATION  
All rights reserved. No part of this material may be reproduced or transmitted, in any form or by any means, electronic or mechanical, including photocopying, recording or by any information storage and retrieval system, without permission in writing from Briggs & Stratton Corporation.

# 15A100

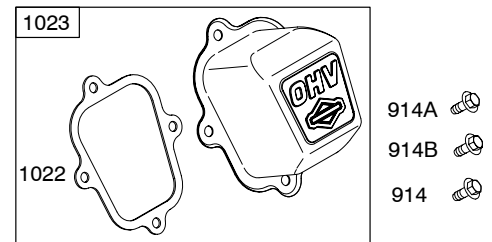
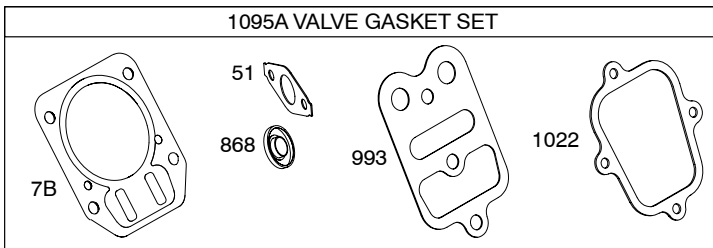
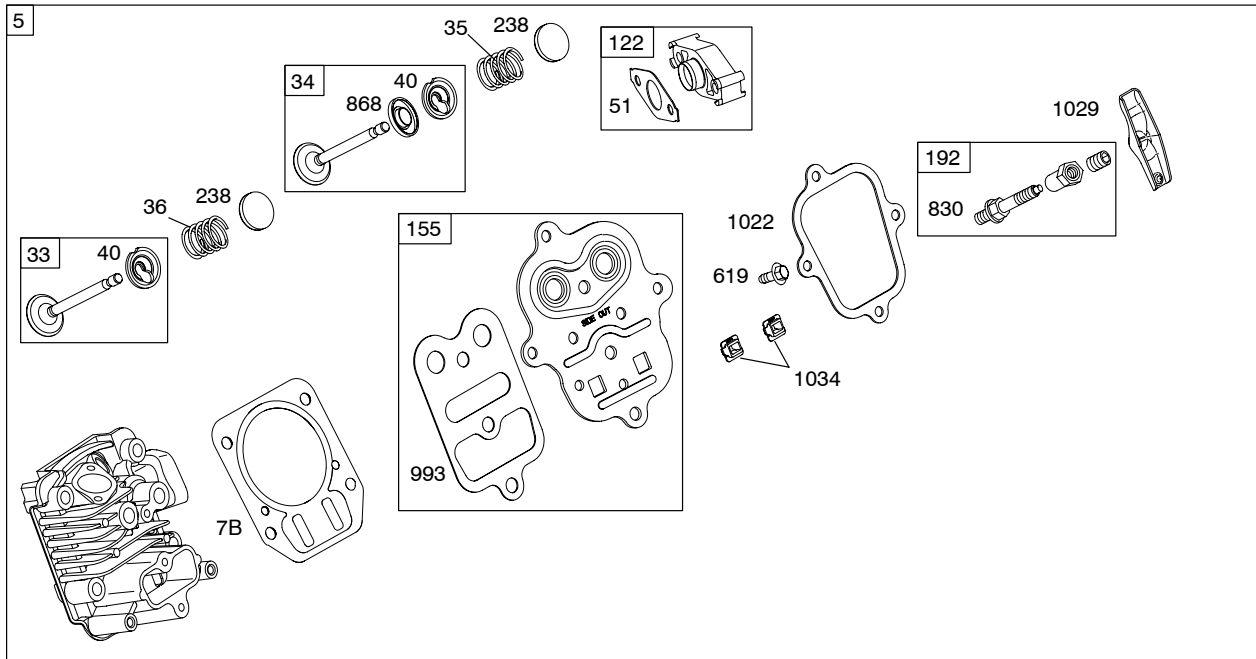
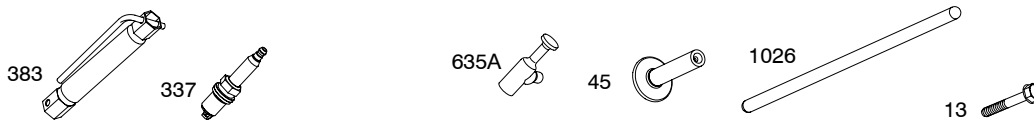
1019 LABEL KIT

1058 OWNER'S MANUAL

1330 REPAIR MANUAL

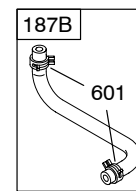
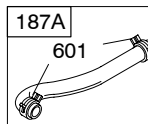
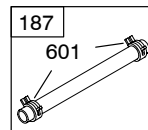
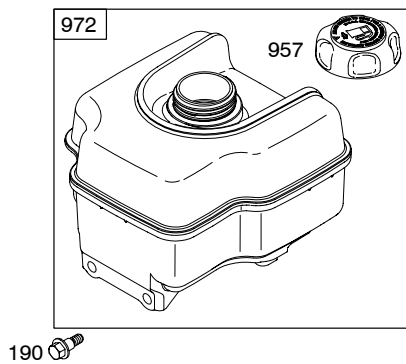
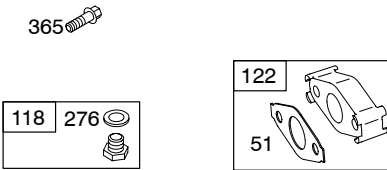
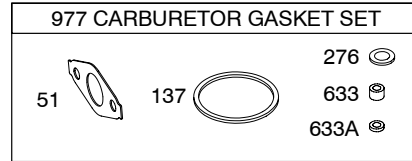
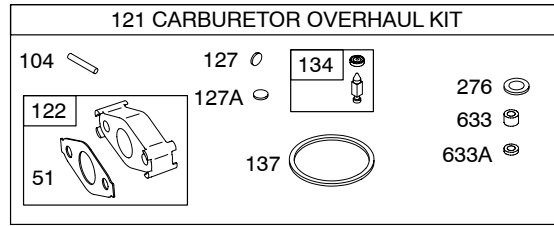
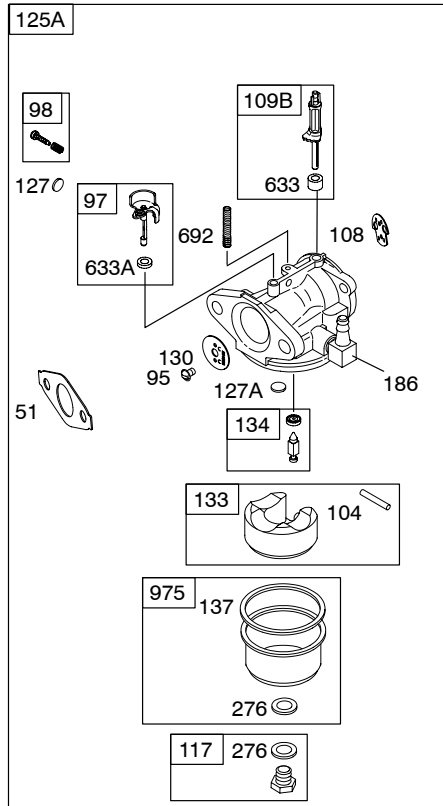


Illustrations cover a range of engines. Parts shown without corresponding text may not be used on your specific engine.  
 3453-2 Assemblies include all parts shown in frames. 11/16/2005

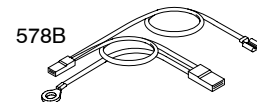
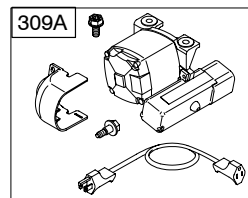
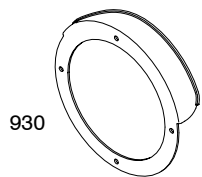
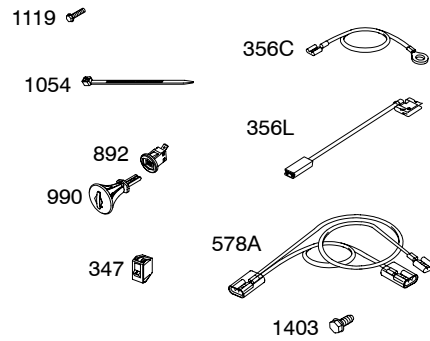
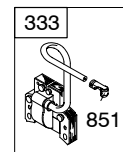
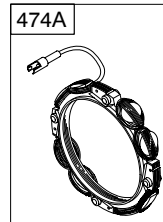
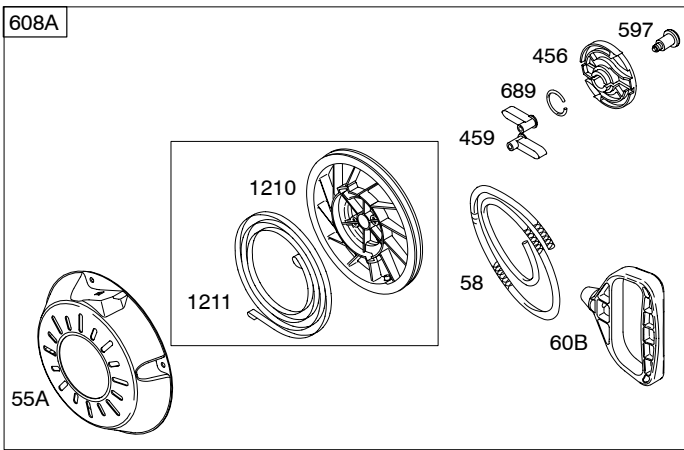
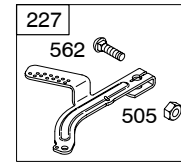
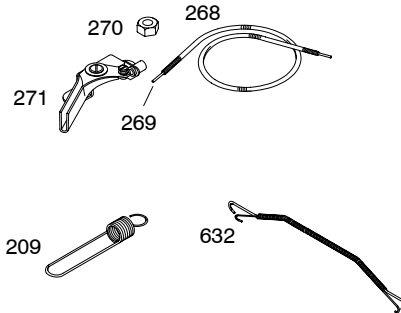
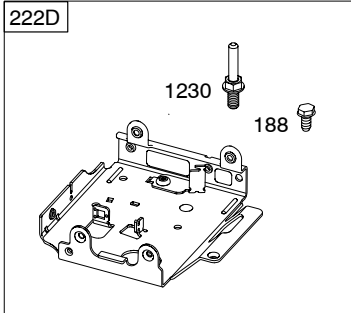


Illustrations cover a range of engines. Parts shown without corresponding text may not be used on your specific engine.  
 3453-3 Assemblies include all parts shown in frames. 11/16/2005

# 15A100

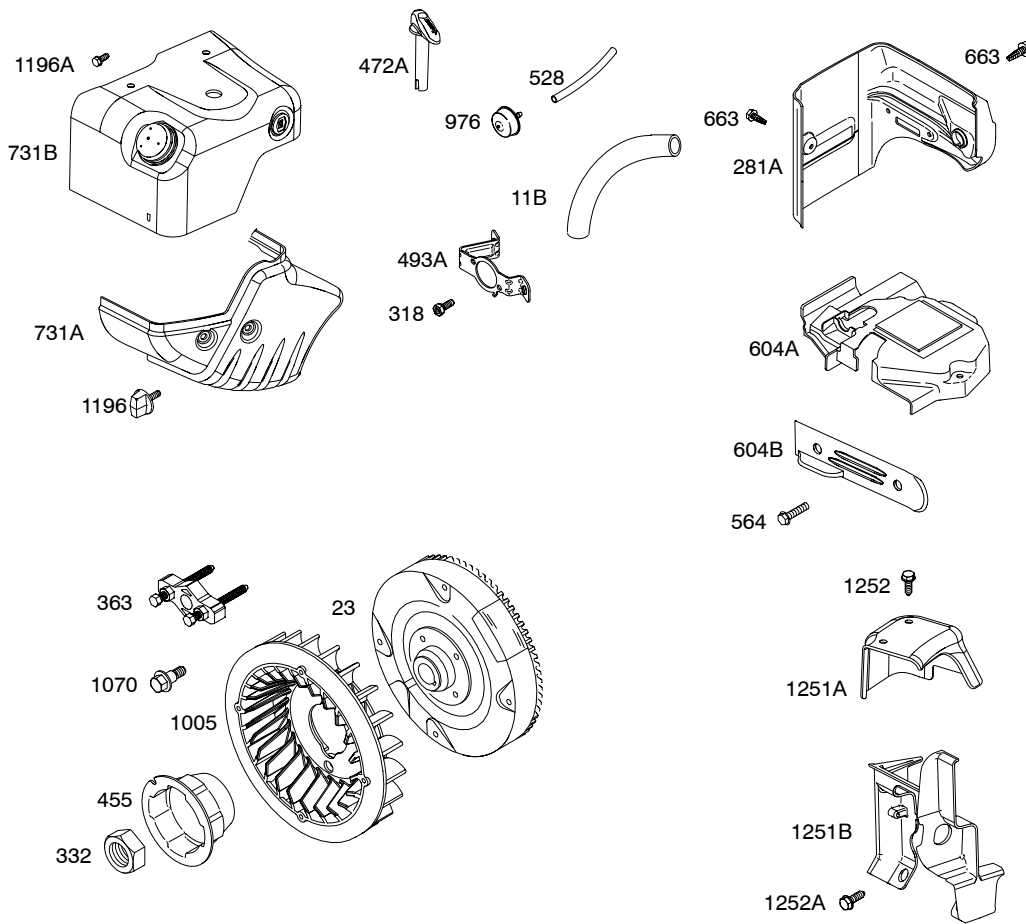


Illustrations cover a range of engines. Parts shown without corresponding text may not be used on your specific engine.  
 3453-4 Assemblies include all parts shown in frames. 11/16/2005

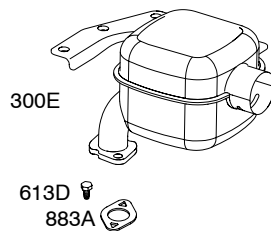
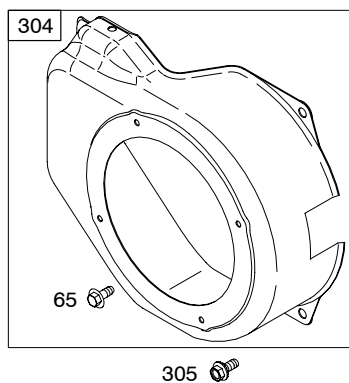


Illustrations cover a range of engines. Parts shown without corresponding text may not be used on your specific engine.  
 3453-5 Assemblies include all parts shown in frames. 11/16/2005

# 15A100



1036 EMISSION LABEL



Illustrations cover a range of engines. Parts shown without corresponding text may not be used on your specific engine.  
 3453-6 Assemblies include all parts shown in frames. 11/16/2005

REF. NO.	PART NO.	DESCRIPTION	REF. NO.	PART NO.	DESCRIPTION	REF. NO.	PART NO.	DESCRIPTION
1	791762	Cylinder Assembly	36	691304	Spring-Valve (Exhaust)	187	791766	Line-Fuel (Cut to Required Length)
2	399269	Kit-Bushing/Seal (Magneto Side)	37	699661	Guard-Flywheel			(Used After Code Date 05063000).
3	★299819S	Seal-Oil (Magneto Side)	40	692194	Retainer-Valve			----- <b>Note</b> -----
5	791720	Head-Cylinder	45	690977	Tappet-Valve			<b>691050</b> Line-Fuel (Cut to Required Length)
7B	★∅791716	Gasket-Cylinder Head	46	693404	Camshaft			(Used Before Code Date 05070100).
11B	695745	Tube-Breather	51	◆∅791718	Gasket-Intake	187A	791867	Line-Fuel (Molded) (Used After Code Date 05063000).
12	★699485	Gasket-Crankcase	55A	696710	Housing-Rewind Starter			----- <b>Note</b> -----
13	699482	Screw (Cylinder Head)	58	693389	Rope-Starter (Cut To Required Length)			<b>692601</b> Line-Fuel (Molded) (Used Before Code Date 05070100).
15	691686	Plug-Oil Drain	60B	699334	Grip-Starter Rope			
15B	695757	Plug-Oil Drain	65	699228	Screw (Rewind Starter)			
16	791721	Crankshaft	65A	699851	Screw (Rewind Starter)			
18	699804	Cover-Crankcase	78	699205	Screw (Flywheel Guard)			
20	★692550	Seal-Oil (PTO Side)	95	691636	Screw (Throttle Valve)	187B	791874	Line-Fuel (Molded)
21	281658S	Cap-Oil Fill	97	690024	Shaft-Throttle			
22	699478	Screw (Crankcase Cover/Sump)	98	398185	Kit-Idle Speed	188	699479	Screw (Control Bracket)
23	699516	Flywheel	104	●691242	Pin-Float Hinge			
24	222698S	Key-Flywheel	108	695807	Valve-Choke	190	699220	Screw (Fuel Tank)
25	791786	Piston Assembly (Standard)	109B	695729	Shaft-Choke			
		----- <b>Note</b> -----	117	694176	Jet-Main (Standard)	192	694543	Ball-Rocker Arm
		<b>791791</b> Piston Assembly (.020" Oversize)	118	695042	Jet-Main (High Altitude)	209	692571	Spring-Governor
26	791787	Ring Set (Standard)	121	792006	Kit-Carburetor Overhaul	219	693578	Gear-Governor
		----- <b>Note</b> -----	122	●791717	Spacer-Carburetor	220	691724	Washer (Governor Gear)
		<b>791792</b> Ring Set (.020" Oversize)	125A	791955	Carburetor	222D	790549	Bracket-Control
27	690975	Lock-Piston Pin	127	●694468	Plug-Welch	227	692573	Lever-Governor Control
28	690229	Pin-Piston	127A	●691739	Plug-Welch	238	691300	Cap-Valve
29B	791783	Rod-Connecting	130	691181	Valve-Throttle	268	691072	Control Wire Casing (Cut to Required Length)
32	791784	Screw (Connecting Rod)	133	398187	Float-Carburetor			
33	499642	Valve-Exhaust	134	●398188	Kit-Needle/Seat	269	691026	Control Wire (Cut to Required Length)
34	499641	Valve-Intake	137	◆●693981	Gasket-Float Bowl			
35	691304	Spring-Valve (Intake)	146	690979	Key-Timing	270	691027	Nut (Control Wire Casing)
			155	698214	Plate-Cylinder Head			
			186	692317	Connector-Hose			

★ Included in Engine Gasket Set-Ref. No.358.

● Included in Carburetor Overhaul Kit-Ref. No. 121.

◆ Included in Carburetor Gasket Set-Ref. No. 977.

∅ Included in Valve Gasket Set-Ref. No.1095.

*Illustrations cover a range of engines. Parts shown without corresponding text may not be used on your specific engine.*

# 15A100

REF. NO.	PART NO.	DESCRIPTION	REF. NO.	PART NO.	DESCRIPTION	REF. NO.	PART NO.	DESCRIPTION
271	691028	Lever-Control	505	691251	Nut (Governor Control Lever)	684	791761	Screw (Breather Passage Cover)
276	♦♦271716	Washer-Sealing	523	790546	Dipstick	689	691855	Spring-Friction
281A	699639	Panel-Control	524	281370S	Seal-Dipstick Tube	692	690572	Spring-Detent
287	699629	Screw (Dipstick Tube)	528	695746	Hose-Primer	718	690959	Pin-Locating
300E	791940	Muffler (Used After Code Date 05101800).	552	692346	Bushing-Governor Crank	731A	790554	Hood-Snow
		----- <b>Note</b> -----	562	691119	Bolt (Governor Control Lever)	731B	791943	Hood-Snow (Used After Code Date 05101800).
		790548 Muffler (Used Before Code Date 05101900).	564	699854	Screw (Control Cover)			----- <b>Note</b> -----
304	699598	Housing-Blower	578A	790481	Wire Assembly			790547 Hood-Snow (Used Before Code Date 05101900).
305	699480	Screw (Blower Housing)	578B	791956	Wire Assembly	741	695087	Gear-Timing
306A	695710	Shield-Cylinder	584	791759	Cover-Breather Passage	742	692564	Retainer-E Ring
307	699483	Screw (Cylinder Shield)	585	791760	Gasket-Breather Passage	746	692566	Gear-Idler
307A	699234	Screw (Cylinder Shield)	597	691696	Screw (Pawl Friction Plate)	830	694544	Stud (Rocker Arm)
307B	790557	Screw (Cylinder Shield)	598	220624	Shim-End Play	842	691031	Seal-O Ring (Dipstick Tube)
309A	696818	Motor-Starter	601	95162S	Clamp-Hose	847	790545	Dipstick/Tube Assembly
318	690370	Screw (Mounting Bracket)	604A	695749	Cover-Control	851	493880S	Terminal-Spark Plug
332	699359	Nut (Flywheel)	604B	790473	Cover-Control	868	★Ø692044	Seal-Valve
333	695711	Armature-Magneto	608A	699335	Starter-Rewind	883A	★691893	Gasket-Exhaust
334	699477	Screw (Magneto Armature)	613D	699209	Screw (Muffler)	892	791944	Switch-Key (Used After Code Date 05101800).
337	491055S	Spark-Plug	615	692576	Retainer-Governor Shaft			----- <b>Note</b> -----
347	698338	Switch-Rocker	616	692547	Crank-Governor			696749 Switch-Key (Used Before Code Date 05101900).
356C	695630	Wire-Stop	619	699230	Screw (Cylinder Head Plate)	914	699481	Screw (Rocker Cover) (Bottom)
356L	790552	Wire-Stop	632	692653	Spring/Link-Mechanical Governor	914A	692557	Screw (Rocker Cover) (Top)
358B	791797	Set-Engine Gasket	633	♦♦693867	Seal-Choke/Throttle Shaft	914B	697551	Screw (Rocker Cover) (Center)
363	19069	Puller-Flywheel	633A	♦♦691321	Seal-Choke/Throttle Shaft	930	696709	Guard-Rewind
365	699484	Screw (Carburetor)	635A	692927	Boot-Sparkplug			
383	19374S	Wrench-Spark Plug	663	699854	Screw (Control Panel)			
455	692591	Cup-Flywheel	684	791761	Screw (Breather Passage Cover)			
456	692299	Plate-Pawl Friction						
459	281505S	Pawl-Ratchet						
472A	790553	Knob-Choke Shaft						
474A	791743	Alternator						
493A	695744	Bracket-Mounting						

★ Included in Engine Gasket Set-Ref. No.358.

● Included in Carburetor Overhaul Kit-Ref. No. 121.

♦ Included in Carburetor Gasket Set-Ref. No. 977.

Ø Included in Valve Gasket Set-Ref. No 1095.

*Illustrations cover a range of engines. Parts shown without corresponding text may not be used on your specific engine.*



**15A100**

REF. NO.	PART NO.	DESCRIPTION	REF. NO.	PART NO.	DESCRIPTION	REF. NO.	PART NO.	DESCRIPTION
957	694261	Cap-Fuel Tank (Plastic)	1026	790287	Rod-Push	1210	498144	Pulley/Spring Assembly
958	698180	Valve-Fuel Shut Off (Plastic)	1029	691230	Arm-Rocker			(Pulley)
972	694260	Tank-Fuel (Plastic)	1034	691343	Guide-Push Rod	1211	498144	Pulley/Spring Assembly
975	493640	Bowl-Float	1036		Label-Emission (Available From An Authorized Briggs & Statton Sevice Dealer)			(Spring)
976	790221	Primer-Carburetor	1054	280275	Tie-Cable	1230	699847	Screw (Control Bracket)
977	792007	Gasket Set-Carburetor	1058	275964	Owner's Manual	1251A	790555	Shield-Snow
990	695756	Key-Set	1070	699201	Screw (Flywheel Fan)	1251B	790556	Shield-Snow
993	∅694088	Gasket-Cylinder Head Plate	1095A	791798	Gasket Set-Valve	1252	699234	Screw (Snow Shield)
998	696683	Pipe-Oil	1119	699772	Screw (Alternator)	1252A	699632	Screw (Snow Shield)
1005	692592	Fan-Flywheel	1196	696692	Screw (Snow Hood)	1330	272147	Repair Manual
1019	791811	Kit-Label	1196A	699854	Screw (Snow Hood)	1403	699480	Screw (Wire Assembly)
1022	∅691890	Gasket-Rocker Cover						
1023	499924	Cover-Rocker Arm						

★ Included in Engine Gasket Set-Ref. No.358.

● Included in Carburetor Overhaul Kit-Ref. No. 121.

◆ Included in Carburetor Gasket Set-Ref. No. 977.

∅ Included in Valve Gasket Set-Ref. No 1095.

*Illustrations cover a range of engines. Parts shown without corresponding text may not be used on your specific engine.*