

**143300 to 143457**

## Illustrated Parts List

### MODEL SERIES

# 143300 to 143457

#### TYPE NUMBERS

0110 to 0293

502500 to 502959

#### TO FIND

**THE CORRECT NUMBER OF THE PART YOU NEED:**

**FOLLOW THE INSTRUCTIONS BELOW.**

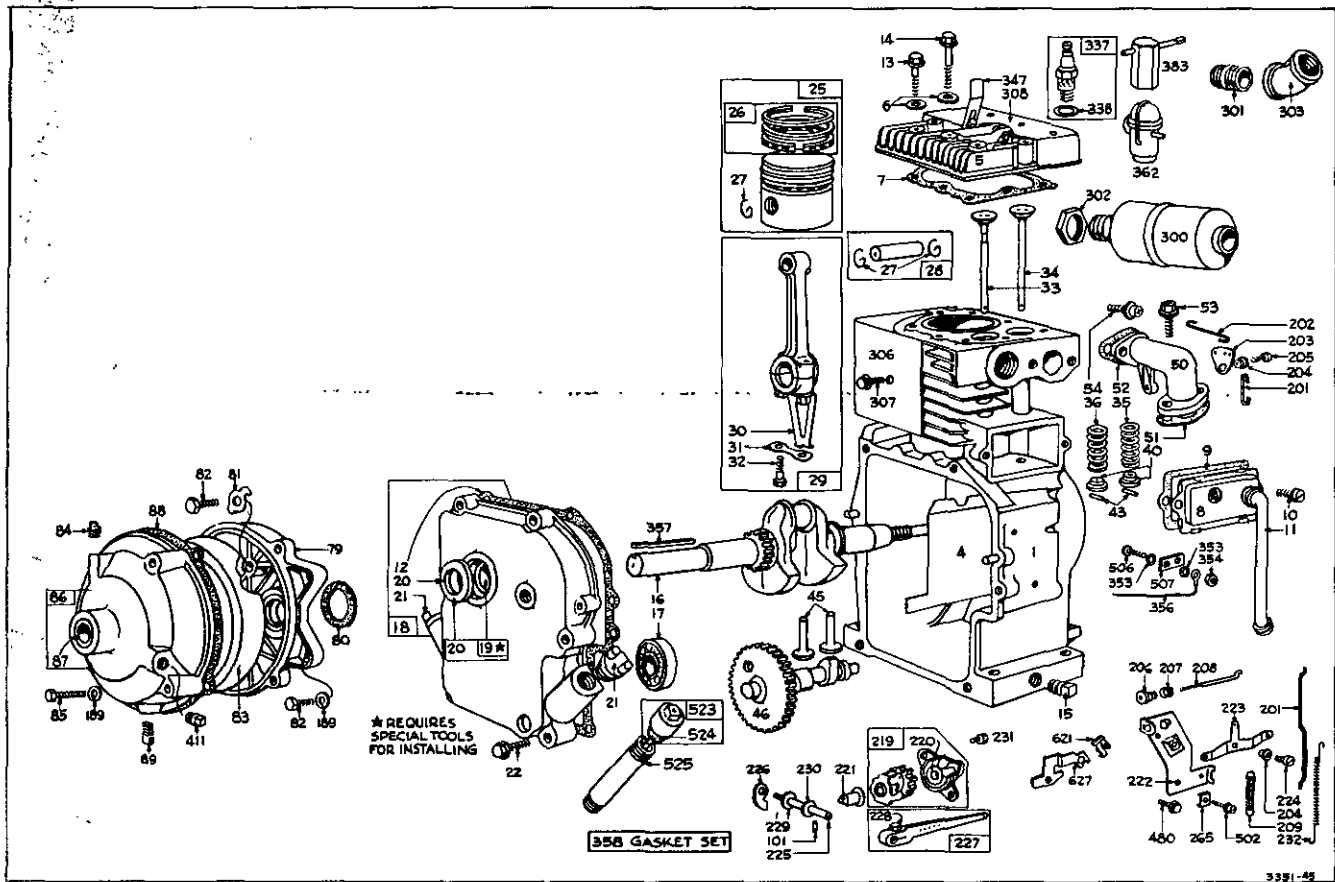
- A. Refer to Engine Model, Type and Serial Number that is stamped on the blower housing or name plate of engine. (Engine type numbers such as 502958 are listed complete. Engine type numbers such as 0147 01 are listed herein only as 0147. The two digits (01 or 02, etc.) to the right of the space are not needed for parts identification). Then use the Illustrated Parts List covering these Model Series.
- B. Refer to Illustrated Parts section and compare the old part with illustration. The number on the illustration is the Reference Number. Assemblies include all parts shown in frames. All parts shown in assembly frames on which individual reference numbers are given can be purchased separately.
- C. After the Reference Number has been identified, refer to the Numerical Parts List, where Reference and Master Part Numbers are listed. **THE MASTER PART IS USED ON ALL TYPE NUMBERS EXCEPT THOSE TYPE NUMBERS UNDER "NOTE"**
- D. If a "Note" appears below the Master Part Number, this means that this part differs from the Master Part for certain types. If the Type Number is listed under "Note", order the part referred to.
- E. If the Engine Type Number does not appear after any part number listed under "Note", use the Master Part Number.
- F. For Type Numbers higher than those covered by this book, please refer to the factory if you are unable to identify the part by comparison.

PRINTED IN U.S.A.

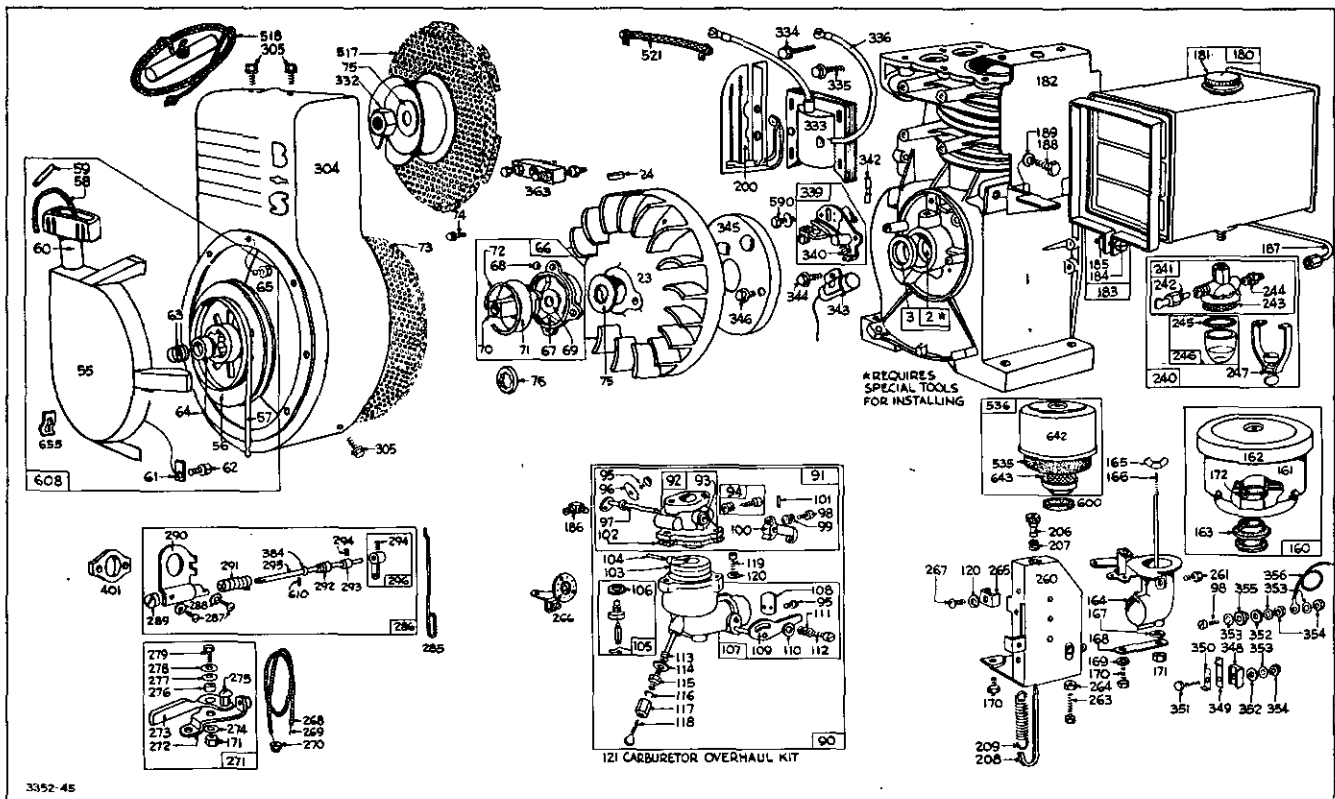


*[Handwritten signature]* 5-9

# 143300 to 143457

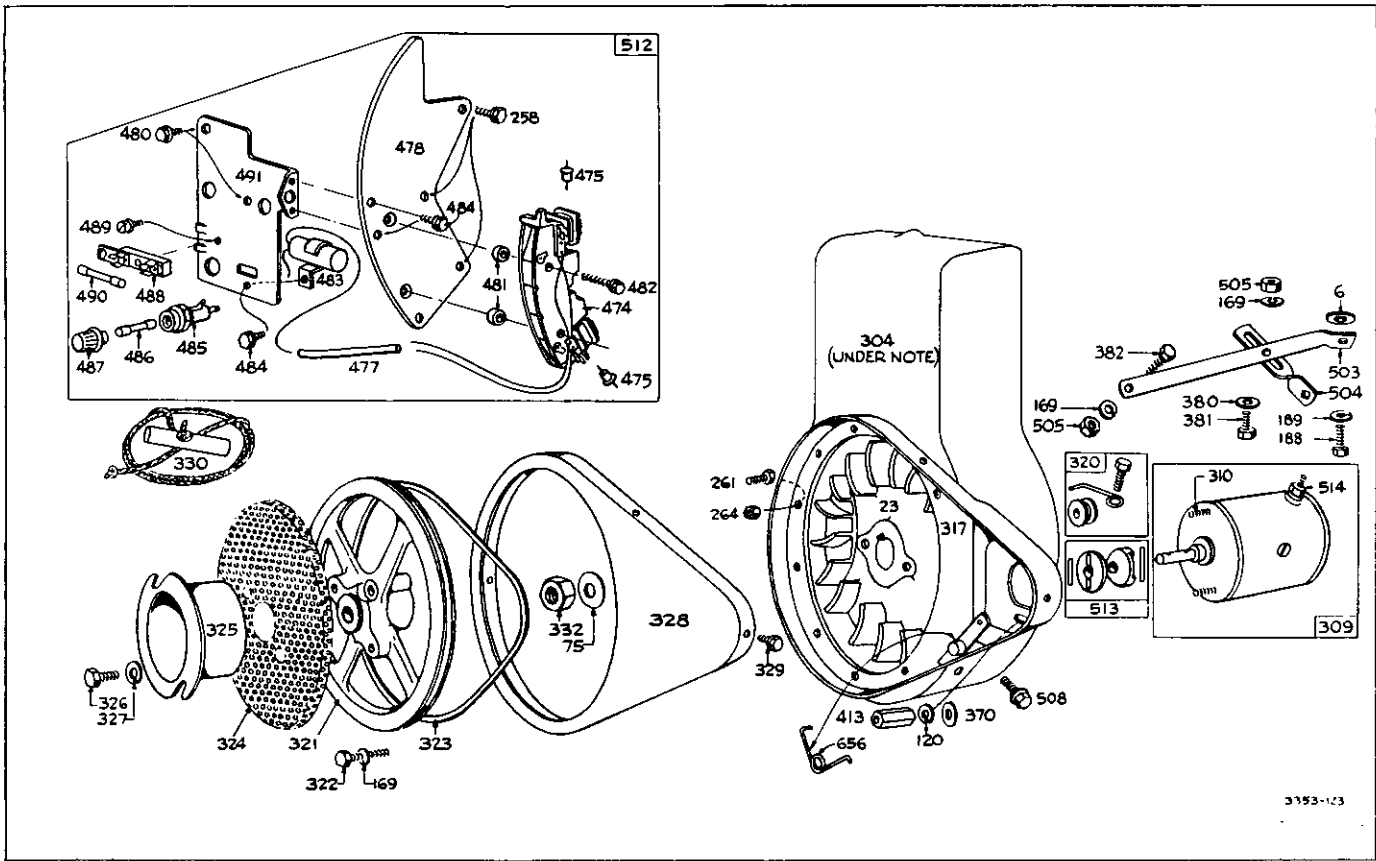


Assemblies include all parts shown in frames.

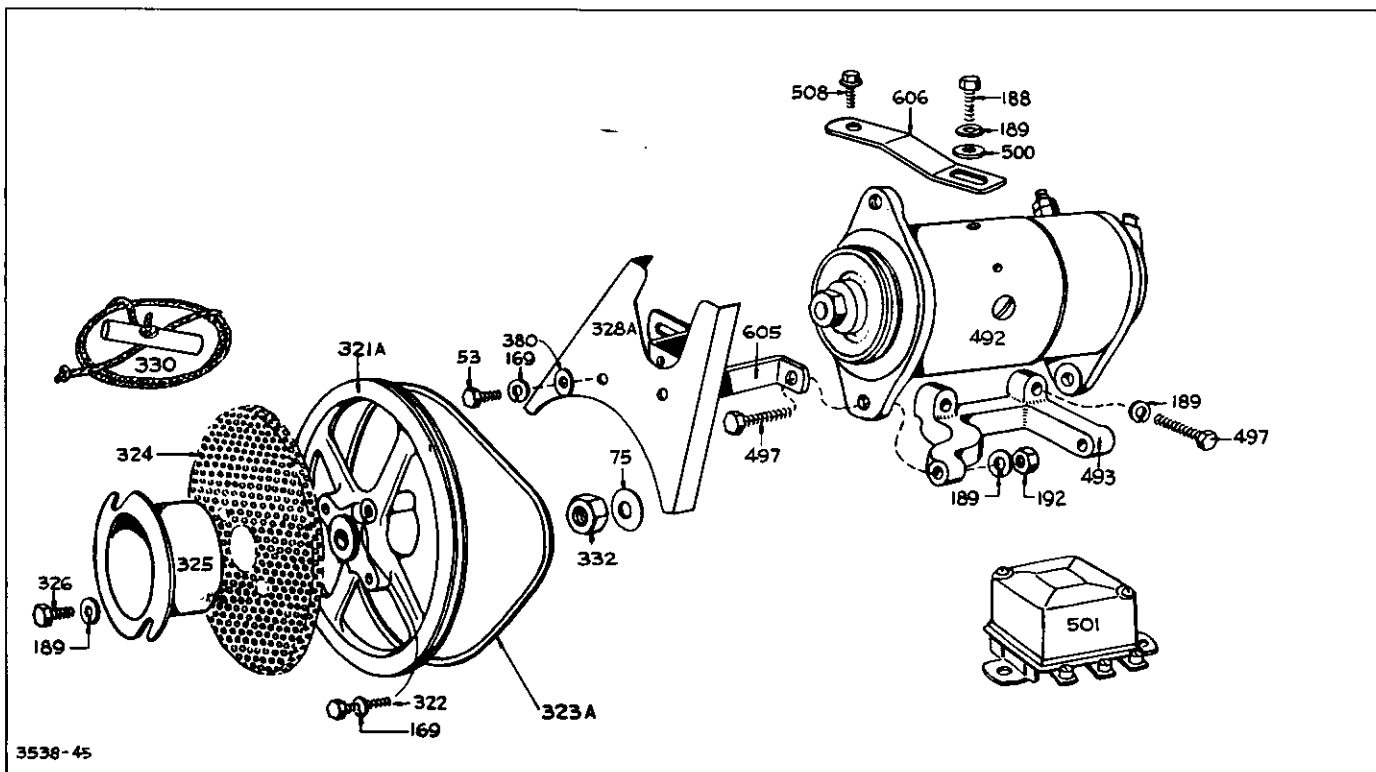


Assemblies include all parts shown in frames.

# 143300 to 143457



Assemblies include all parts shown in frames.



Assemblies include all parts shown in frames.

# 143300 to 143457

REF. NO.	PART NO.	DESCRIPTION	REF. NO.	PART NO.	DESCRIPTION	REF. NO.	PART NO.	DESCRIPTION	
1	<b>296953</b>	Cylinder Assembly <b>Note:</b> 297266 Cylinder Assy. Used on type Nos. 0143, 0165, 0173, 0178, 0197, 0213, 0220, 0223, 0241, 0244, 0257, 0259, 0262, 0282, 0289, 502543, 502605, 502684, 502695, 502722, 502733, 502744, 502759, 502789, 502805, 502812, 502829, 502835, 502837, 502842, 502849, 502864, 502867, 502876, 502889, 502891, 502892, 502914, 502932, 502936, 502942, 502946, 502951, 502957.	14	<b>93211</b>	where tank bracket mounts to Cylinder Head. Screw - Cylinder Head (2-21/32" long)			502920, 502925, 502928, 502932, 502936, 502946, 502957. <b>260389</b> Crankshaft Used on type Nos. 0120, 0121, 0123, 0139, 0140, 0141, 0142, 0159, 0164, 0178, 0181, 0185, 0187, 0189, 0198, 0203, 0206, 0210, 0214, 0240, 0260, 0276, 502546, 502561, 502566, 502571, 502580, 502582, 502588, 502596, 502602, 502608, 502613, 502614, 502615, 502628, 502630, 502633, 502638, 502643, 502647, 502650, 502652, 502666, 502668, 502674, 502699, 502703, 502704, 502709, 502717, 502719, 502720, 502721, 502724, 502738, 502741, 502744, 502746, 502750, 502751, 502757, 502758, 502783, 502784, 502792, 502794, 502796, 502801, 502841, 502850, 502859, 502878, 502884, 502892, 502896, 502897, 502911, 502915, 502931. <b>260407</b> Crankshaft Used on type Nos. 502528, 502861. <b>260423</b> Crankshaft Used on type Nos. 0161, 0167, 0191, 0192, 0241, 0268, 0273, 0279, 0280, 502543, 502548, 502574, 502606, 502636, 502653, 502684, 502694, 502733, 502734, 502742, 502747, 502767, 502795, 502853, 502865, 502874, 502886, 502930. <b>260425</b> Crankshaft Used on type Nos. 0125, 0126, 0131, 0133, 0147, 0151, 0157, 0168, 0180, 0183, 0186, 0195, 0197, 0199, 0200, 0202, 0208, 0211, 0218, 0225, 0230,	
			15	<b>91084</b>	Plug - Oil Drain <b>Note:</b> 93418 Plug - Oil Drain Used on type Nos. 0149, 0166, 0278, 0286, 502762, 502812, 502923, 502924.				
			16	<b>260315</b>	Crankshaft <b>Note:</b> 260358 Crankshaft Used on type Nos. 0115, 0116, 0127, 0128, 0132, 0134, 0135, 0136, 0137, 0143, 0148, 0158, 0171, 0172, 0176, 0188, 0205, 0213, 0220, 0249, 0261, 0263, 0264, 0291, 502535, 502545, 502550, 502562, 502568, 502576, 502585, 502605, 502619, 502631, 502632, 502645, 502646, 502655, 502656, 502659, 502685, 502686, 502690, 502701, 502702, 502722, 502732, 502735, 502745, 502748, 502752, 502789, 502797, 502805, 502810, 502833, 502835, 502838, 502849, 502857, 502873, 502880, 502882, 502927, 502952, 502956. <b>260359</b> Crankshaft Used on type Nos. 0154, 0155, 0162, 0165, 0170, 0175, 0184, 0190, 0201, 0207, 0212, 0217, 0221, 0222, 0223, 0224, 0245, 0255, 0262, 0275, 0283, 502565, 502586, 502589, 502592, 502594, 502601, 502624, 502629, 502641, 502654, 502661, 502678, 502695, 502708, 502713, 502714, 502725, 502736, 502759, 502776, 502802, 502803, 502807, 502808, 502812, 502825, 502839, 502846, 502851, 502876, 502895, 502902, 502914,				
2	<b>295962</b>	Bushing-Cylinder <b>Note:</b> Requires special tools for installation.							
3	<b>294606</b>	Seal-Oil							
4	<b>221001</b>	Plate-Cylinder Baffle							
5	<b>210578</b>	Head-Cylinder							
6	<b>22963</b>	Washer-Plain							
7	<b>*270340</b>	Gasket-Cylinder Head <b>Note:</b> Two No. 270340 Cylinder Head Gaskets are used on type Nos. 0192, 0218, 0230, 0231, 0239, 0240, 0249, 0252, 0264, 0272, 0280, 502659, 502665, 502680, 502681, 502686, 502688, 502714, 502801, 502806, 502834, 502873, 502930, 502941.							
8	<b>294948</b>	Breather Assembly							
9	<b>*27803</b>	Gasket-Valve Cover							
10	<b>93394</b>	Screw-Breather Mounting Sem							
11	<b>67068</b>	Tube-Breather							
12	<b>*27750</b>	Gasket-Crankcase Cover-1/64" thick							
	<b>*27876</b>	Gasket-Crankcase Cover-.005" thick							
	<b>*27877</b>	Gasket-Crankcase Cover-.009" thick							
13	<b>93210</b>	Screw-Cylinder Head (2-9/32" long) <b>Note:</b> 93211 Screw-Cylinder Head (2-21/32" long) Used on type No. 502816							

\* Included in Gasket Set--Part No. 295970.

143300 to 143457

REF. PART NO.	PART NO.	DESCRIPTION	REF. PART NO.	PART NO.	DESCRIPTION	REF. PART NO.	PART NO.	DESCRIPTION	
	0231, 0234, 0235, 0237, 0242, 0243, 0244, 0248, 0252, 0254, 0256, 0257, 0258, 0259, 0265, 0270, 0271, 0277, 0282, 0284, 0285, 0288, 0289, 502544, 502557, 502560, 502569, 502570, 502579, 502583, 502591, 502595, 502599, 502604, 502609, 502616, 502620, 502622, 502627, 502639, 502640, 502642, 502648, 502649, 502658, 502662, 502663, 502672, 502673, 502675, 502680, 502681, 502683, 502688, 502691, 502696, 502698, 502700, 502712, 502715, 502718, 502723, 502730, 502737, 502749, 502764, 502766, 502769, 502771, 502774, 502775, 502777, 502778, 502780, 502782, 502785, 502787, 502790, 502793, 502799, 502806, 502813, 502814, 502818, 502822, 502837, 502840, 502842, 502848, 502863, 502864, 502866, 502867, 502871, 502877, 502891, 502905, 502906, 502910, 502913, 502917, 502919, 502922, 502926, 502937, 502938, 502939, 502940, 502941, 502942, 502948.				Used on type Nos. 0138, 0250, 0251, 502677, 502862, 502868. <b>260586</b> Crankshaft Used on type Nos. 502587, 502854. <b>260607</b> Crankshaft Used on type Nos. 0145, 0169, 0228, 0278, 0286, 0290, 0292, 502525, 502731, 502762, 502788, 502817, 502852, 502860, 502898, 502907, 502921, 502923, 502924, 502953, 502958. <b>260609</b> Crankshaft Used on type Nos. 0150, 0177, 502532, 502533, 502567, 502584, 502697, 502779, 502815, 502827, 502889. <b>260644</b> Crankshaft Used on type Nos. 0193, 502836, 502901. <b>260667</b> Crankshaft Used on type Nos. 0266, 502832, 502883.			0151, 0154, 0155, 0157, 0158, 0161, 0162, 0165, 0166, 0167, 0168, 0170, 0171, 0172, 0175, 0176, 0180, 0182, 0183, 0184, 0186, 0188, 0190, 0191, 0192, 0193, 0195, 0199, 0200, 0201, 0202, 0205, 0207, 0208, 0211, 0212, 0213, 0217, 0220, 0221, 0222, 0223, 0224, 0225, 0230, 0231, 0234, 0235, 0237, 0241, 0242, 0243, 0245, 0248, 0249, 0250, 0251, 0254, 0255, 0257, 0258, 0259, 0261, 0262, 0263, 0264, 0265, 0268, 0270, 0271, 0273, 0275, 0277, 0279, 0280, 0282, 0283, 0284, 0285, 0288, 0289, 0291, 502535, 502543, 502544, 502545, 502548, 502557, 502562, 502565, 502570, 502573, 502574, 502576, 502579, 502583, 502585, 502586, 502589, 502591, 502592, 502594, 502595, 502599, 502601, 502605, 502606, 502609, 502616, 502619, 502622, 502624, 502629, 502631, 502632, 502636, 502639, 502640, 502641, 502642, 502645, 502646, 502648, 502649, 502653, 502654, 502655, 502656, 502658, 502659, 502661, 502663, 502671, 502672, 502673, 502675, 502677, 502678, 502680, 502681, 502683, 502684, 502685, 502686, 502688, 502690, 502691, 502694, 502695, 502696, 502698, 502700, 502701, 502702, 502708, 502713, 502714, 502715, 502718, 502722, 502723, 502725, 502732, 502733, 502734, 502735, 502736, 502737, 502742, 502745, 502747, 502748, 502749, 502752, 502759, 502763,	
			<b>17</b>	<b>29530</b>	Bearing—Ball				
			<b>18</b>	<b>295868</b>	Cover Assy.—Crankcase				
				<b>Note:</b>	<b>295872</b> Cover Assembly—Crankcase Used on type Nos. 502521, 502626. <b>295876</b> Cover Assembly—Crankcase Used on type Nos. 0160, 0169, 0278, 0286, 0290, 0292, 502520, 502523, 502526, 502527, 502549, 502558, 502587, 502621, 502679, 502682, 502693, 502743, 502762, 502772, 502804, 502817, 502824, 502854, 502870, 502872, 502916, 502923, 502924, 502958. <b>295958</b> Cover Assembly—Crankcase Used on type Nos. 0115, 0116, 0127, 0128, 0132, 0133, 0136, 0137, 0138, 0143, 0147, 0148, 0150,				
		<b>260467</b> Crankshaft Used on type Nos. 0182, 502573. <b>260472</b> Crankshaft Used on type Nos. 0146, 0149, 0156, 0166, 0209, 0246, 502577, 502578, 502597, 502617, 502625, 502660, 502664, 502671, 502726, 502727, 502739, 502740, 502763, 502786, 502800, 502829, 502879, 502894, 502903, 502904, 502933, 502934, 502949. <b>260508</b> Crankshaft							

# 143300 to 143457

REF. NO.	PART NO.	DESCRIPTION	REF. NO.	PART NO.	DESCRIPTION	REF. NO.	PART NO.	DESCRIPTION	
	502766, 502767, 502769, 502771, 502774, 502775, 502776, 502777, 502778, 502780, 502782, 502785, 502787, 502789, 502790, 502793, 502795, 502797, 502799, 502800, 502802, 502803, 502805, 502806, 502807, 502808, 502810, 502812, 502814, 502818, 502825, 502829, 502833, 502835, 502836, 502837, 502838, 502839, 502840, 502846, 502848, 502849, 502851, 502853, 502857, 502862, 502863, 502864, 502865, 502866, 502867, 502868, 502871, 502873, 502874, 502876, 502879, 502880, 502882, 502886, 502891, 502895, 502902, 502905, 502906, 502910, 502913, 502914, 502917, 502919, 502920, 502922, 502925, 502927, 502928, 502930, 502932, 502934, 502936, 502938, 502939, 502940, 502942, 502946, 502948, 502949, 502952, 502956, 502957.			502757, 502758, 502783, 502784, 502792, 502794, 502796, 502801, 502841, 502859, 502878, 502884, 502892, 502896, 502897, 502911, 502915, 502931.					
	<b>296075</b>	Cover Assembly—Crankcase Used on type Nos. 0120, 0121, 0123, 0139, 0140, 0141, 0142, 0159, 0164, 0178, 0181, 0185, 0187, 0189, 0198, 0203, 0206, 0210, 0214, 0240, 0260, 0276, 502546, 502561, 502566, 502571, 502580, 502582, 502588, 502596, 502602, 502608, 502613, 502614, 502615, 502628, 502630, 502633, 502638, 502643, 502647, 502650, 502652, 502666, 502668, 502674, 502699, 502703, 502704, 502709, 502717, 502719, 502720, 502721, 502724, 502738, 502741, 502744, 502746, 502750, 502751,		<b>296184</b>	Cover Assembly—Crankcase Used on type Nos. 0125, 0126, 0131, 0149, 0177, 0197, 0209, 0218, 0244, 0252, 0256, 502560, 502604, 502617, 502620, 502627, 502660, 502662, 502664, 502712, 502730, 502739, 502764, 502813, 502815, 502822, 502827, 502832, 502842, 502883, 502901, 502903, 502904, 502926, 502933, 502937, 502941.		<b>21</b>	<b>66768</b>	Plug—Oil Filler
	<b>296075</b>	Cover Assembly—Crankcase Used on type Nos. 0120, 0121, 0123, 0139, 0140, 0141, 0142, 0159, 0164, 0178, 0181, 0185, 0187, 0189, 0198, 0203, 0206, 0210, 0214, 0240, 0260, 0276, 502546, 502561, 502566, 502571, 502580, 502582, 502588, 502596, 502602, 502608, 502613, 502614, 502615, 502628, 502630, 502633, 502638, 502643, 502647, 502650, 502652, 502666, 502668, 502674, 502699, 502703, 502704, 502709, 502717, 502719, 502720, 502721, 502724, 502738, 502741, 502744, 502746, 502750, 502751,		<b>296256</b>	Cover Assembly—Crankcase Used on type No. 502584.		<b>22</b>	<b>93205</b>	Screw — Crankcase Cover Mounting Sem
	<b>296075</b>	Cover Assembly—Crankcase Used on type Nos. 0120, 0121, 0123, 0139, 0140, 0141, 0142, 0159, 0164, 0178, 0181, 0185, 0187, 0189, 0198, 0203, 0206, 0210, 0214, 0240, 0260, 0276, 502546, 502561, 502566, 502571, 502580, 502582, 502588, 502596, 502602, 502608, 502613, 502614, 502615, 502628, 502630, 502633, 502638, 502643, 502647, 502650, 502652, 502666, 502668, 502674, 502699, 502703, 502704, 502709, 502717, 502719, 502720, 502721, 502724, 502738, 502741, 502744, 502746, 502750, 502751,		<b>296321</b>	Cover Assembly—Crankcase Used on type Nos. 0146, 0246, 502577, 502578, 502597, 502625, 502740, 502786.		<b>23</b>	<b>295214</b>	Flywheel
	<b>296075</b>	Cover Assembly—Crankcase Used on type Nos. 0120, 0121, 0123, 0139, 0140, 0141, 0142, 0159, 0164, 0178, 0181, 0185, 0187, 0189, 0198, 0203, 0206, 0210, 0214, 0240, 0260, 0276, 502546, 502561, 502566, 502571, 502580, 502582, 502588, 502596, 502602, 502608, 502613, 502614, 502615, 502628, 502630, 502633, 502638, 502643, 502647, 502650, 502652, 502666, 502668, 502674, 502699, 502703, 502704, 502709, 502717, 502719, 502720, 502721, 502724, 502738, 502741, 502744, 502746, 502750, 502751,		<b>296373</b>	Cover Assembly—Crankcase Used on type Nos. 502532, 502533, 502567.		<b>Note:</b>	<b>296335</b>	Flywheel—Magneto Used on type Nos. 0114, 0130, 0131, 0134, 0135, 0139, 0140, 0169, 0204, 0246; 0278, 502610, 502611, 502620, 502625, 502626, 502630, 502631, 502632, 502633, 502635, 502664, 502667, 502693, 502726, 502740, 502743, 502756, 502766, 502822, 502832, 502856, 502861, 502903, 502953, 502958.
	<b>296075</b>	Cover Assembly—Crankcase Used on type Nos. 0120, 0121, 0123, 0139, 0140, 0141, 0142, 0159, 0164, 0178, 0181, 0185, 0187, 0189, 0198, 0203, 0206, 0210, 0214, 0240, 0260, 0276, 502546, 502561, 502566, 502571, 502580, 502582, 502588, 502596, 502602, 502608, 502613, 502614, 502615, 502628, 502630, 502633, 502638, 502643, 502647, 502650, 502652, 502666, 502668, 502674, 502699, 502703, 502704, 502709, 502717, 502719, 502720, 502721, 502724, 502738, 502741, 502744, 502746, 502750, 502751,		<b>297407</b>	Cover Assembly—Crankcase Used on type Nos. 0156, 502877, 502894.		<b>24</b>	<b>61760</b>	Key—Flywheel
	<b>296075</b>	Cover Assembly—Crankcase Used on type Nos. 0120, 0121, 0123, 0139, 0140, 0141, 0142, 0159, 0164, 0178, 0181, 0185, 0187, 0189, 0198, 0203, 0206, 0210, 0214, 0240, 0260, 0276, 502546, 502561, 502566, 502571, 502580, 502582, 502588, 502596, 502602, 502608, 502613, 502614, 502615, 502628, 502630, 502633, 502638, 502643, 502647, 502650, 502652, 502666, 502668, 502674, 502699, 502703, 502704, 502709, 502717, 502719, 502720, 502721, 502724, 502738, 502741, 502744, 502746, 502750, 502751,		<b>297533</b>	Cover Assembly—Crankcase Used on type Nos. 502726, 502727, 502850.		<b>25</b>	<b>295842</b>	Piston Assy.—Standard
	<b>296075</b>	Cover Assembly—Crankcase Used on type Nos. 0120, 0121, 0123, 0139, 0140, 0141, 0142, 0159, 0164, 0178, 0181, 0185, 0187, 0189, 0198, 0203, 0206, 0210, 0214, 0240, 0260, 0276, 502546, 502561, 502566, 502571, 502580, 502582, 502588, 502596, 502602, 502608, 502613, 502614, 502615, 502628, 502630, 502633, 502638, 502643, 502647, 502650, 502652, 502666, 502668, 502674, 502699, 502703, 502704, 502709, 502717, 502719, 502720, 502721, 502724, 502738, 502741, 502744, 502746, 502750, 502751,		<b>297790</b>	Cover Assembly—Crankcase Used on type No. 502889.		<b>295846</b>	Piston Assembly— .010" O. S.	
	<b>296075</b>	Cover Assembly—Crankcase Used on type Nos. 0120, 0121, 0123, 0139, 0140, 0141, 0142, 0159, 0164, 0178, 0181, 0185, 0187, 0189, 0198, 0203, 0206, 0210, 0214, 0240, 0260, 0276, 502546, 502561, 502566, 502571, 502580, 502582, 502588, 502596, 502602, 502608, 502613, 502614, 502615, 502628, 502630, 502633, 502638, 502643, 502647, 502650, 502652, 502666, 502668, 502674, 502699, 502703, 502704, 502709, 502717, 502719, 502720, 502721, 502724, 502738, 502741, 502744, 502746, 502750, 502751,		<b>19</b>	<b>295964</b>	Bushing—Crankcase Cover	<b>295848</b>	Piston Assembly— .020" O. S.	
	<b>296075</b>	Cover Assembly—Crankcase Used on type Nos. 0120, 0121, 0123, 0139, 0140, 0141, 0142, 0159, 0164, 0178, 0181, 0185, 0187, 0189, 0198, 0203, 0206, 0210, 0214, 0240, 0260, 0276, 502546, 502561, 502566, 502571, 502580, 502582, 502588, 502596, 502602, 502608, 502613, 502614, 502615, 502628, 502630, 502633, 502638, 502643, 502647, 502650, 502652, 502666, 502668, 502674, 502699, 502703, 502704, 502709, 502717, 502719, 502720, 502721, 502724, 502738, 502741, 502744, 502746, 502750, 502751,		<b>Note:</b>	Requires special tools for installation.		<b>295850</b>	Piston Assembly— .030" O. S.	
	<b>296075</b>	Cover Assembly—Crankcase Used on type Nos. 0120, 0121, 0123, 0139, 0140, 0141, 0142, 0159, 0164, 0178, 0181, 0185, 0187, 0189, 0198, 0203, 0206, 0210, 0214, 0240, 0260, 0276, 502546, 502561, 502566, 502571, 502580, 502582, 502588, 502596, 502602, 502608, 502613, 502614, 502615, 502628, 502630, 502633, 502638, 502643, 502647, 502650, 502652, 502666, 502668, 502674, 502699, 502703, 502704, 502709, 502717, 502719, 502720, 502721, 502724, 502738, 502741, 502744, 502746, 502750, 502751,		<b>20</b>	<b>298423</b>	Seal—Oil	<b>26</b>	<b>295852</b>	Ring Set—Piston—Std. Consists of: <b>210703</b> Ring — Piston, Comp., Top, Std. <b>210601</b> Ring — Piston, Comp., Center, Std. <b>295843</b> Ring — Piston, Oil, Standard (w/expander)

*Under scored to be in heavy size*

**PISTON RING SETS**  
**NOTE: FOR CHROME PISTON RING STANDARD SIZE - ORDER PART No. 2984**

REF. NO.	PART NO.	DESCRIPTION	REF. NO.	PART NO.	DESCRIPTION	REF. NO.	PART NO.	DESCRIPTION
		Comp., Center, .010" O.S. <b>295847</b> Ring - Piston, Oil, .010" O.S. (w/expander)						0176, 0178, 0195, 0197, 0205, 0211, 0213, 0220, 0223, 0236, 0241, 0242, 0244, 0253, 0254, 0257, 0259, 0262, 0268, 0282, 0283, 0285, 0288, 0289, 502543, 502589, 502605, 502636, 502671, 502675, 502684, 502695, 502722, 502733, 502742, 502744, 502759, 502767, 502775, 502789, 502800, 502805, 502812, 502829, 502835, 502837, 502842, 502849, 502857, 502864, 502865, 502867, 502876, 502889, 502891, 502892, 502914, 502932, 502936, 502938, 502942, 502946, 502948, 502951, 502956, 502957.
<b>295854</b>		Ring Set-Piston- .020" O.S. Consists of: <b>210893</b> Ring - Piston, Comp., Top, .020" O.S. <b>210894</b> Ring - Piston, Comp., Center, .020" O.S. <b>295849</b> Ring - Piston, Oil, .020" O.S. (w/expander)						
<b>295855</b>		Ring Set-Piston- .030" O.S. Consists of: <b>210897</b> Ring- Piston, Comp., Top, .030" O.S. <b>210898</b> Ring- Piston, Comp., Center, .030" O.S. <b>295851</b> Ring- Piston, Oil, .030" O.S. (w/expander)	<b>34</b>	<b>230386</b>	Valve-Intake <b>Note: 230385</b> Valve-Intake Used on type Nos. 0143, 0151, 0161, 0165, 0173, 0176, 0178, 0195, 0197, 0205, 0211, 0213, 0220, 0223, 0236, 0241, 0242, 0244, 0253, 0254, 0257, 0259, 0262, 0268, 0282, 0283, 0285, 0288, 0289, 502543, 502589, 502605, 502636, 502671, 502675, 502684, 502742, 502744, 502759, 502767, 502775, 502789, 502800, 502805, 502812, 502829, 502835, 502837, 502842, 502849, 502857, 502864, 502865, 502867, 502876, 502889, 502891, 502892, 502914, 502932, 502936, 502938, 502942, 502946, 502948, 502951, 502956, 502957.	<b>40</b>	<b>230477</b>	Retainer-Valve Spring <b>Note: 292260</b> Rotocap- Exhaust Valve Used on type Nos. 0143, 0151, 0161, 0165, 0173, 0176, 0178, 0195, 0197, 0205, 0211, 0213, 0220, 0223, 0236, 0241, 0242, 0244, 0253, 0254, 0257, 0259, 0262, 0268, 0282, 0283, 0285, 0288, 0289, 502543, 502589, 502605, 502636, 502671, 502675, 502684, 502695, 502722, 502733, 502742, 502744, 502759, 502767, 502775, 502789, 502800, 502805, 502812, 502829, 502835, 502837, 502842, 502849, 502857, 502864, 502865, 502867, 502876, 502889, 502891, 502892, 502914, 502932, 502936, 502938, 502942, 502946, 502948, 502951, 502956, 502957.
<b>27</b>	<b>68546</b>	Lock-Piston Pin						
<b>28</b>	<b>295840</b>	Pin Assy.-Standard						
	<b>295841</b>	Pin Assy.-.005" O.S.	<b>35</b>	<b>65906</b>	Spring-Intake Valve			
<b>29</b>	<b>295838</b>	Rod Assy.-Connecting	<b>36</b>	<b>65906</b>	Spring-Exhaust Valve			
<b>30</b>	<b>220837</b>	Dipper-Connecting Rod			<b>Note: 26828</b> Spring-Exhaust Valve Used on type Nos. 0143, 0151, 0161, 0165, 0173,	<b>43</b>	<b>230476</b>	Pin-Valve Spring Ret. <b>Note: 230570</b> Pin-Ex. Valve Rotocap Retainer <b>230569</b> Retainer- Ex. Valve Rotocap Used on type Nos. 0143,
<b>31</b>	<b>220811</b>	Lock-Conn. Rod Screw						
<b>32</b>	<b>92659</b>	Screw-Connecting Rod						
<b>33</b>	<b>230385</b>	Valve-Exhaust						

# 143300 to 143457

REF. NO.	PART NO.	DESCRIPTION	REF. NO.	PART NO.	DESCRIPTION	REF. NO.	PART NO.	DESCRIPTION
		0151, 0161, 0165, 0173, 0176, 0178, 0195, 0197, 0205, 0211, 0213, 0220, 0223, 0236, 0241, 0242, 0244, 0253, 0254, 0257, 0259, 0262, 0268, 0282, 0283, 0285, 0288, 0289, 502543, 502589, 502605, 502636, 502671, 502675, 502684, 502695, 502722, 502733, 502742, 502744, 502759, 502767, 502775, 502789, 502800, 502805, 502812, 502829, 502835, 502837, 502842, 502849, 502857, 502864, 502865, 502867, 502876, 502889, 502891, 502892, 502914, 502932, 502936, 502938, 502942, 502946, 502948, 502951, 502956, 502957.						
45	260125	Tappet-Valve				81	220234	Lock-Gear Case Mounting Screw
46	210728	Gear-Cam	56	295871	Pulley-Rewind Starter	82	92502	Screw-Cap
50	210705	Elbow-Intake	57	294303	Spring-Rewind Starter	83	296052	Shaft Assembly-Drive
51	†*65647	Gasket-Intake Elbow	58	66564	Rope-Rewind Starter (63" long)		<b>Note:</b> 296298	Shaft Assy. - Drive
52	*27828	Gasket-Intake Elbow Mounting		<b>Note:</b>	If longer rope is needed, order No. 66574 and cut to required length.			Used on type No. 502638.
53	93329	Screw-Sem	59	230228	Pin-Starter Grip	84	92617	Plug-Breather
	<b>Note:</b> 93158	Screw-Sem Used to mount Belt Guard to Bracket on type Nos. 0236, 0242, 0244, 502813, 502844, 502916, 502950.	60	66728	Grip-Starter Rope	85	-91386	Screw-Gear Case Cover Mounting
54	93208	Screw-Intake Elbow Mounting Sem	61	66918	Bumper-Starter Pulley	86	296053	Cover Assy. -Gear Case
	<b>Note:</b> 92683	Screw-Intake Elbow Mounting	62	93254	Screw-Pulley Bumper Mounting Sem	87	298423	Seal-Oil
	90832	Washer-Lock- 1/4 x 3/32 x 5/64" Used on type Nos. 0155, 0244, 502752, 502776, 502803, 502829, 502839, 502862, 502902, 502957.	63	260414	Spring-Ratchet	88	27328	Gasket-Gear Case Cover
55	295272	Housing-Rewind Starter	64	230543	Adapter-Ratchet Spring	89	91488	Plug-Oil Drain
	<b>Note:</b> 297663	Housing-Rewind Starter Used on type Nos. 0151, 502948. Uses: 230581 Nut, Mtg. (4)	65	93163	Screw-Rewind Starter Housing Mounting Sem	90	295857	Carburetor Assembly (Manual Choke) Carburetor No. 295857 is used on Model 143300 Series engines except as follows:
			66	295684	Clutch Assy. -Rewind Starter		<b>Note:</b> 295942	Carburetor Assy. (Choke-A-Matic) Used on type Nos. 0129, 0130, 0135, 0140, 0204, 0228, 502516, 502519, 502520, 502522, 502529, 502530, 502539, 502542, 502549, 502553, 502557, 502559, 502575, 502607, 502610, 502622, 502623, 502632, 502633, 502634, 502635, 502667, 502673, 502700, 502716, 502738, 502768, 502773, 502775, 502784, 502809, 502811, 502819, 502820, 502824, 502852, 502855, 502856, 502860, 502913, 502943. 296090 Carburetor Assy. (Mechanical Governor- Manual Choke) (Used on Model 143400 Series) 296557 Carburetor Assy. (Kerosene) Used on type Nos. 0192, 0230, 0231, 0239, 0240, 0249, 0264, 0272, 502659, 502665, 502681, 502686, 502688, 502801, 502806, 502834, 502873,
			67	210400	Housing-Rewind Starter Clutch			
			68	63770	Ball-Clutch			
			69	66718	Washer-Starter Clutch, Thrust			
			70	296916	Ratchet-Rewind Starter Clutch			
			71	221301	Washer-Retainer (with flange) (Used in clutches with square shaft ratchet)			
				<b>Note:</b> 220575	Washer-Retainer Used in clutches with 7 point ratchet			
			72	26032	Ring-Clutch Retainer			
			73	220823	Screen-Rewind Starter			
			74	93042	Screw-Rotating Screen Mounting Sem			
			75	220865	Washer-Spring			
			76	66688	Washer-Ratchet Sealing (Used with 7 point shank ratchet)			
				<b>Note:</b> 270045	Washer-Ratchet Sealing			
				260517	Spring-Ratchet Sealing Washer Used on type Nos. 0267, 502727, 502850, 502881, 502931.			
			79	296179	Case Assembly-Gear			
			80	27884	Gasket-Gear Case to Crankcase Cover			

\* Included in Gasket Set-Part  
No. 295970.

† Included in Carburetor Overhaul Kit-  
Part No. 295938.



# 143300 to 143457

REF. NO.	PART NO.	DESCRIPTION	REF. NO.	PART NO.	DESCRIPTION	REF. NO.	PART NO.	DESCRIPTION
		502930.			502574, 502732.			502632, 502633, 502634,
		<b>296656</b> Carburetor Assy. (Kerosene-Mechanical Governor) Used on type Nos. 0218, 0252, 0280, 502680, 502714, 502941.	<b>92</b>	<b>295858</b>	Body-Upper Carburetor			502635, 502667, 502673,
		<b>296726</b> Carburetor Assy. (L. P. Gas) Used on type Nos. 502574, 502732.	<b>93</b>	<b>23108</b>	Bushing-Throttle Shaft			502700, 502716, 502738,
		<b>297103</b> Carburetor Assy. Used on type Nos. 502671, 502800.	<b>94</b>	<b>†292681</b>	Valve Assembly-Carburetor Idle			502768, 502773, 502775,
		<b>297469</b> Carburetor Assy. (Automatic Choke-Mechanical Governor) Used on type Nos. 0138, 0244, 502752, 502803, 502839, 502862, 502902, 502957.	<b>95</b>	<b>93038</b>	Screw-Throttle and Choke Valve Mtg. Sem Valve-Throttle			502784, 502809, 502811,
		<b>297470</b> Carburetor Assy. (Automatic Choke-Mechanical Governor) Used on type No. 502829.	<b>96</b>	<b>62940</b>	Shaft and Lever-Throttle (Used on Model 143300 Series)			502819, 502824, 502829,
		<b>297684</b> Carburetor Assy. (L. P. Gas) Used on type No. 502871.	<b>97</b>	<b>295294</b>	Shaft and Lever-Throttle (Used on Model 143300 Series)	<b>Note:</b>		502852, 502855, 502856,
		<b>298210</b> Carburetor Assy. (Automatic Choke-Mechanical Governor) Used on type Nos. 0155, 502776.			<b>296293</b> Shaft and Lever-Throttle (Used on Model 143400 Series)			502860, 502913, 502943.
		<b>298591</b> Carburetor Assy. Used on type No. 0275.	<b>98</b>	<b>91920</b>	Screw-Machine, Fil. Hd. 8-32 x 5/8"			<b>296727</b> Body Assembly-Lower Carburetor Used on type Nos. 502574, 502732, 502871.
<b>91</b>	<b>295859</b>	Body Assembly-Upper Carburetor (Used on Model 143300 Series) <b>Note:</b> <b>296089</b> Body Assembly-Upper Carburetor (Used on Model 143400 Series) <b>296728</b> Body Assembly-Upper Carburetor Used on type Nos. 502574, 502732. <b>297683</b> Body Assembly-Upper Carburetor Used on type Nos.	<b>99</b>	<b>26157</b>	Spring-Throttle Adjustment			<b>297496</b> Body Assembly-Lower Carburetor Used on type Nos. 0138, 0155, 0244, 502752,
			<b>100</b>	<b>295804</b>	Stop-Throttle (Used on Model 143300 Series) <b>Note:</b> <b>61967</b> Stop-Throttle (Used on Model 143400 Series)			502776, 502803, 502829,
			<b>101</b>	<b>93043</b>	Pin-Throttle Stop and Governor Shaft			502839, 502862, 502902, 502957.
			<b>102</b>	<b>†27918</b>	Gasket-Carburetor Body	<b>108</b>	<b>62872</b>	Valve-Choke <b>Note:</b> <b>22954</b> Valve-Choke Used on type Nos. 0138, 0155, 0244, 502752,
			<b>103</b>	<b>99333</b>	Float-Carburetor			502776, 502803, 502829,
			<b>104</b>	<b>†23114</b>	Pin-Float Hinge			502839, 502862, 502902, 502957.
			<b>105</b>	<b>†293962</b>	Valve and Seat-Fuel Inlet <b>Note:</b> <b>297102</b> Valve and Seat-Fuel Inlet Used on type Nos. 0155, 502671, 502776, 502800, 502829.	<b>109</b>	<b>295374</b>	Shaft and Lever-Choke <b>Note:</b> <b>295372</b> Shaft Assembly-Choke (Choke-A-Matic) Used on type Nos. 0129, 0130, 0135, 0140, 0204, 0228, 502516, 502519,
			<b>106</b>	<b>27639</b>	Gasket-Fuel Inlet Valve Seat			502520, 502522, 502529,
			<b>107</b>	<b>295860</b>	Body Assembly-Lower Carburetor <b>Note:</b> <b>295883</b> Body Assembly-Lower Carburetor (Choke-A-Matic) Used on type Nos. 0129, 0130, 0135, 0140, 0204, 0228, 502516, 502519,			502530, 502539, 502542,
								502549, 502553, 502557,
								502559, 502575, 502607,
								502610, 502622, 502623,
								502632, 502633, 502634,
								502635, 502667, 502673,
								502700, 502716, 502738,
								502768, 502773, 502775,
								502784, 502809, 502811,
								502819, 502820, 502824,
								502852, 502855, 502856,
								502860, 502913, 502943.
								<b>296847</b> Shaft, Lever and Vane Assembly-Automatic Choke Uses: <b>291040</b> Lever and Weight Assembly Includes: <b>90200</b> Screw (for mounting)

\* Included in Gasket Set-Part No. 295970.

† Included in Carburetor Overhaul Kit-Part No. 295938.

# 143300 to 143457

REF. NO.	PART NO.	DESCRIPTION	REF. NO.	PART NO.	DESCRIPTION	REF. NO.	PART NO.	DESCRIPTION	
		Used on type Nos. 0138, 0155, 0244, 502752, 502776, 502803, 502829, 502839, 502862, 502902, 502957.			502928, 502936, 502946, 502957.				
110	62899	Washer—Choke Lever	114	†68667	Gasket—Nozzle	161	296704	Bowl—Air Cleaner <b>Note:</b> 99926 Bowl—Air Cleaner Used on type No. 502587.	
111	26155	Spring—Choke Lever	115	†23117	Retainer—Needle Valve <b>Note:</b> 292226 Retainer Assy.—Jet Needle	162	296270	Cover and Filter—Air Cleaner <b>Note:</b> 99925 Cover and Filter—Air Cleaner Used on type No. 502587.	
	<b>Note:</b> 260368	Spring—Choke Return (Choke-A-Matic) Used on type Nos. 0129, 0130, 0135, 0140, 0204, 0228, 502516, 502519, 502520, 502522, 502529, 502530, 502539, 502542, 502549, 502553, 502557, 502559, 502575, 502607, 502610, 502622, 502623, 502632, 502633, 502634, 502635, 502667, 502673, 502700, 502716, 502738, 502768, 502773, 502775, 502784, 502809, 502811, 502819, 502820, 502824, 502852, 502855, 502856, 502860, 502913, 502943.			Used on type Nos. 0192, 0218, 0230, 0231, 0239, 0240, 0249, 0252, 0264, 0272, 0280, 502659, 502665, 502680, 502681, 502686, 502688, 502714, 502801, 502806, 502834, 502873, 502930, 502941.	163	*27907	Gasket—Air Cleaner Mtg. Used only for Round Oil Bath or Rectangular Foam type Air Cleaners. <b>Note:</b> 27016 Gasket—Air Cleaner Mounting Used on type No. 502587. 27858 Gasket—Air Cleaner Mounting Used on type Nos. 0146, 502526, 502527, 502577, 502578, 502597, 502625, 502643, 502740.	
112	23123	Screw—Choke Lever	116	†68677	Packing—Needle Valve	164	298595	Pipe Assy.—Air Cleaner (For Round Foam Type) Used after Serial No. 423825 on Model 143300 Series engines except those with Speed Control Housing. (Ref. No. 260) <b>Note:</b> 295378 Pipe Assembly—Air Cleaner (For Oil Bath and Rectangular Foam Type) (Used before Serial No. 423826 only on Model 143300 Series except those with Speed Control Housing (Ref. No. 260) and as listed below).	
113	†296286	Nozzle—Carburetor <b>Note:</b> 296619 Nozzle—Carb. Used on type Nos. 0127, 0128, 0136, 0138, 0154, 0155, 0162, 0165, 0170, 0175, 0183, 0184, 0190, 0201, 0207, 0212, 0217, 0220, 0221, 0222, 0223, 0224, 0245, 0250, 0251, 0255, 0262, 0275, 0283, 502540, 502544, 502562, 502565, 502573, 502586, 502589, 502592, 502594, 502601, 502607, 502624, 502627, 502629, 502641, 502654, 502661, 502678, 502695, 502708, 502713, 502725, 502736, 502752, 502759, 502776, 502802, 502803, 502807, 502808, 502812, 502825, 502833, 502839, 502846, 502851, 502862, 502863, 502866, 502868, 502876, 502895, 502902, 502905, 502914, 502920, 502925,	117	†23118	Nut—Needle Valve Pkng.			298410	Pipe Assembly—Air Cleaner (For Round Foam Type Air Cleaner) Used after Serial No. 423825 on Model 1434 Series Engines; also used on Model 1433 Series Engines with
			118	†230009	Valve—Needle <b>Note:</b> 230085 Valve—Needle Used on type Nos. 0192, 0218, 0230, 0231, 0239, 0240, 0249, 0252, 0264, 0272, 0280, 502659, 502665, 502680, 502681, 502686, 502688, 502714, 502801, 502806, 502834, 502873, 502930, 502941.				
			119	90746	Screw—Machine, Fil. Hd.—10-32 x 5/8" <b>Note:</b> 91359 Screw—Machine, Fil. Hd.—10-32 x 3/4" Used on type Nos. 502574, 502732.				
			120	92290	Washer—Lock—No. 10 x 1/16" x 3/64"				
			121	295938	Carburetor Overhaul Kit				
			160	296434	Cleaner Assembly—Air <b>Note:</b> 99230 Flame Arrestor Used on type No. 502913. 99908 Cleaner Assy.—Air Used on type No. 502587. 296319 Cleaner Assy.—Air United Specialties Label Used on type Nos. 502523, 502577, 502584, 502597, 502602, 502625, 502643, 502726, 502727, 502740.				

\* Included in Gasket Set—Part No. 295970.

† Included in Carburetor Overhaul Kit—Part No. 295938.

**143300 to 143457**

REF. NO.	PART NO.	DESCRIPTION	REF. NO.	PART NO.	DESCRIPTION	REF. NO.	PART NO.	DESCRIPTION
		Speed Control Housing. (Ref. No. 260)		<b>230539</b>	Stud (To Elbow) (6-19/32" long)		<b>291513</b>	Tank Assembly— Combination Fuel
	<b>Note:</b>	<b>295593</b> Pipe Assembly— Air Cleaner (For Round Oil Bath or Rectangular Foam Type Air Cleaners) Used before Serial No. 423826 on Model 143400 Series engines; also on Model 143300 Series engines using a Speed Control Housing—(See Ref. No. 260)		<b>230697</b>	Stud (To Carb.) (6-3/16" long) Uses: <b>91168</b> Nut—Hex. 1/4-20 <b>90832</b> Washer— Lock For Mtg. Elbow Used on type Nos. 0146, 502578, 502597, 502625, 502740.		Uses: <b>22907</b> Support— Upper Fuel Tanker + <b>220863</b> Washer— Spacer (Used between one boss on cyl. head and tank bracket)	
		<b>210876</b> Elbow—Air Cleaner Used on type Nos. 502526, 502527, 502577.		<b>230696</b>	Stud—Air Cleaner (5-7/8" long) Used to mount Rectan- gular Air Cleaner before Serial No. 423826 on type Nos. 0156, 0157, 0183, 0226, 0243, 502544, 502574, 502753, 502823, 502846, 502847, 502909, 502921, 502935, 502936, 502939, 502940.		502659, 502665, 502680, 502681, 502686, 502688, 502714, 502801, 502806, 502834, 502873, 502930, 502941.	
		<b>211070</b> Elbow—Air Cleaner Used on type Nos. 0146, 502578, 502597, 502625, 502740.		<b>Note:</b>	<b>291488</b> Tank Assembly— Fuel (6 quart) Uses: <b>22907</b> Support— Upper Fuel Tank Used on type Nos. 0198, 0217, 0244, 0245, 0258, 0265, 0267, 0283, 0289, 502550, 502582, 502596, 502608, 502609, 502614, 502641, 502661, 502678, 502685, 502691, 502698, 502699, 502724, 502733, 502749, 502751, 502761, 502769, 502771, 502774, 502793, 502802, 502803, 502812, 502813, 502822, 502849, 502866, 502867, 502874, 502881, 502891, 502892, 502893, 502945.		<b>292415</b> Tank Assy. — Fuel (8 quart) Uses: <b>22907</b> Support— Upper Fuel Tank Used on type Nos. 0152, 502637, 502889.	
<b>165</b>	<b>93453</b>	Nut—Wing	<b>167</b>	<b>66648</b>	Gasket—Air Cleaner Stud	<b>181</b>	<b>69221</b>	Cap—Fuel Tank (Screw-on type)
	<b>Note:</b>	<b>92067</b> Nut—Wing Used before Serial No. 423826 on type Nos. 0156, 0157, 0183, 0226, 0243, 502544, 502574, 502753, 502823, 502846, 502847, 502909, 502921, 502935, 502936, 502939, 502940.	<b>168</b>	<b>22832</b>	Strap—Air Cleaner Pipe	<b>Note:</b>	<b>69961</b> Cap—Fuel Tank (Bayonet type) Used on engines before Serial No. 19401	
		<b>93288</b> Nut—Wing Used with United Specialties Air Cleaner on type Nos. 502523, 502577, 502584, 502597, 502602, 502625, 502643, 502726, 502727, 502740.	<b>169</b>	<b>90832</b>	Washer—Lock, 1/4" x 3/32" x 5/64"	<b>297866</b> Cap—Fuel Tank Used on type Nos. 502816, 502929, 502931.		
		<b>230633</b> Stud—Air Cleaner (8-13/32" long)	<b>170</b>	<b>91468</b>	Screw—Cap, Hex. Hd. — 1/4-20 x 3/8"	<b>182</b>	<b>220858</b>	Bracket—Fuel Tank
	<b>Note:</b>	<b>230539</b> Stud—Air Cleaner Elbow (2)(6-19/32" long) Used on type Nos. 502526, 502527, 502577, 502578. Uses: <b>91168</b> Nut—Hex. 1/4-20 <b>90832</b> Washer— Lock For Mtg. Elbow	<b>171</b>	<b>92129</b>	Nut—Hex. —1/4-28	<b>Note:</b>	<b>296511</b> Brkt.—Fuel Tank Used on type Nos: 0113, 0114, 0123, 0130, 0131, 0133, 0134, 0135, 0138, 0139, 0140, 0251, 502514, 502519, 502526, 502567, 502577, 502584, 502604, 502610, 502611, 502620, 502625, 502626, 502630, 502631, 502632, 502633, 502664, 502726, 502743, 502756, 502766, 502778, 502804, 502822, 502861, 502862, 502868, 502882, 502903, 502911, 502915, 502936, 502943.	
<b>166</b>	<b>230633</b>	Stud—Air Cleaner (8-13/32" long)	<b>172</b>	<b>27906</b>	Gasket—Air Cleaner	<b>183</b>	<b>291367</b>	Strap Assy.—Fuel Tank
	<b>Note:</b>	<b>230539</b> Stud—Air Cleaner Elbow (2)(6-19/32" long) Used on type Nos. 502526, 502527, 502577, 502578. Uses: <b>91168</b> Nut—Hex. 1/4-20 <b>90832</b> Washer— Lock For Mtg. Elbow	<b>180</b>	<b>290816</b>	Tank Assy.—Fuel (4 quart)	<b>Note:</b>	<b>291490</b> Strap Assembly—	

# 143300 to 143457

REF. PART NO.	PART NO.	DESCRIPTION	REF. PART NO.	PART NO.	DESCRIPTION	REF. PART NO.	PART NO.	DESCRIPTION
		Fuel Tank Used on type Nos. 0152, 0192, 0198, 0217, 0218, 0230, 0231, 0239, 0240, 0244, 0245, 0258, 0265, 0267, 0283, 0289, 502550, 502582, 502596, 502608, 502609, 502614, 502637, 502641, 502659, 502661, 502665, 502678, 502680, 502681, 502685, 502686, 502688, 502691, 502698, 502699, 502714, 502719, 502724, 502733, 502749, 502751, 502761, 502769, 502771, 502774, 502793, 502801, 502802, 502803, 502806, 502812, 502813, 502822, 502834, 502849, 502866, 502867, 502873, 502874, 502881, 502889, 502891, 502892, 502893, 502930, 502941, 502945.			502726, 502773, 502811, 502812, 502832, 502863, 502883, 502924. <b>67218</b> Connector—Fuel Pipe (Plastic) (between filter and pipe) <b>92800</b> Connector—Filter (Brass) (between carb. and filter) Used on type Nos. 502541, 502813, 502831, 502844, 502869, 502887, 502916, 502950. <b>92800</b> Connector—Filter (between carb. and filter) Used on type Nos. 0151, 0196, 0204, 502675, 502775, 502948.			0257, 0258, 0259, 0260, 0261, 0262, 0263, 0265, 0267, 0268, 0270, 0271, 0273, 0275, 0276, 0277, 0278, 0279, 0282, 0283, 0284, 0285, 0286, 0288, 0289, 0291, 502520, 502521, 502535, 502543, 502544, 502546, 502548, 502549, 502550, 502557, 502558, 502566, 502568, 502569, 502571, 502576, 502579, 502580, 502582, 502583, 502585, 502587, 502588, 502591, 502595, 502596, 502599, 502605, 502606, 502613, 502614, 502615, 502616, 502619, 502622, 502636, 502638, 502639, 502642, 502643, 502644, 502645, 502647, 502648, 502650, 502652, 502653, 502655, 502656, 502658, 502661, 502663, 502666, 502668, 502672, 502674, 502679, 502683, 502684, 502685, 502690, 502692, 502694, 502695, 502696, 502698, 502699, 502700, 502702, 502704, 502705, 502709, 502715, 502717, 502719, 502720, 502721, 502722, 502728, 502731, 502733, 502734, 502735, 502738, 502741, 502742, 502745, 502746, 502747, 502748, 502750, 502758, 502761, 502763, 502767, 502769, 502780, 502782, 502783, 502784, 502787, 502789, 502793, 502795, 502796, 502797, 502799, 502805, 502814, 502816, 502828, 502830, 502835, 502836, 502837, 502840, 502849, 502850, 502853, 502854, 502857, 502858, 502859, 502860, 502864, 502865, 502872, 502874, 502877, 502879, 502880, 502881, 502884, 502888,
184	91257	Screw—Machine, Fil. Hd. — 1/4-20 x 1-1/2"	187	294965	Pipe—Fuel <b>Note:</b> <b>29025</b> Pipe—Fuel Used on type Nos. 0290, 0292, 502762. <b>295050</b> Pipe—Fuel Used on type No. 502530. <b>295690</b> Pipe—Fuel Used on Model 143400 Series and on type Nos. 0115, 0116, 0120, 0121, 0125, 0126, 0127, 0128, 0136, 0137, 0141, 0142, 0143, 0146, 0147, 0148, 0149, 0150, 0152, 0154, 0156, 0158, 0159, 0161, 0162, 0164, 0165, 0166, 0167, 0168, 0170, 0171, 0172, 0175, 0176, 0179, 0180, 0181, 0182, 0183, 0184, 0185, 0186, 0187, 0188, 0189, 0190, 0191, 0193, 0195, 0197, 0198, 0199, 0200, 0201, 0202, 0203, 0205, 0206, 0207, 0208, 0209, 0210, 0211, 0212, 0213, 0214, 0217, 0220, 0221, 0222, 0223, 0224, 0225, 0227, 0228, 0234, 0235, 0237, 0238, 0241, 0243, 0245, 0248, 0250, 0254, 0255, 0256,			
185	90970	Nut—Square—1/4-20						
186	63377	Connector—Fuel Pipe <b>Note:</b> <b>63377</b> Connector—Fuel Pipe (between carb. and pipe) <b>92800</b> Connector—Filter (between carb. and filter) Used on type Nos. 502635, 502856, 502948. <b>Note:</b> <b>67218</b> Connector— Fuel Pipe (Plastic) Used between carburetor and fuel pipe on type No. 502635, engines using a flexible fuel pipe. <b>67218</b> Connector—Fuel Pipe (Plastic) Used on type Nos. 0160, 0236, 0242, 0244, 502530, 502553, 502621, 502637, 502657, 502667, 502693,						

**143300 to 143457**

REF. PART NO. NO.	DESCRIPTION	REF. PART NO. NO.	DESCRIPTION	REF. PART NO. NO.	DESCRIPTION
	502893, 502894, 502896, 502897, 502907, 502910, 502917, 502929, 502934, 502938, 502942, 502945, 502952, 502956.		502834, 502873, 502930, 502941.		<b>230580</b> Guide—Stop
	<b>295788</b> Pipe—Fuel Used on type Nos. 502523, 502527.		<b>296633</b> Pipe—Fuel Used on type Nos. 502574, 502732.		<b>230253</b> Stop—Control Rod (7/8" long)
	<b>296004</b> Pipe—Fuel (Flexible) Uses: <b>93053</b> Clamps Used on type Nos. 0160, 0196, 0236, 0242, 0244, 502530, 502541, 502553, 502621, 502637, 502667, 502693, 502726, (for steel pipe for type 502726 order part 297168), 502773, 502811, 502812, 502813, 502831, 502844, 502869, 502887, 502916, 502924, 502950.		<b>297091</b> Pipe—Fuel Used on type No. 502752.		<b>93266</b> Fastener—5 Fast 16 Used on type Nos. 0146, 0149, 0157, 0177, 0190, 0197, 0209, 0221, 0234, 0235, 0257, 0265, 0270, 0289, 502570, 502577, 502578, 502584, 502597, 502608, 502609, 502617, 502624, 502625, 502628, 502660; 502664, 502713, 502718, 502723, 502726, 502727, 502737, 502739, 502740, 502749, 502757, 502774, 502785; <b>7502786</b> ; 7502794, 502813, 502818, 502822, 502827, 502832, 502841, 502842, 502848, 502883, 502901, 502903, 502904, 502926, 502931, 502933, 502937, 502939, 502940.
	<b>296225</b> Pipe—Fuel Used on type Nos. 0113, 0114, 0123, 0130, 0131, 0134, 0135, 0138, 0139, 0140, 0251, 502514, 502519, 502526, 502567, 502577, 502584, 502604, 502610, 502611, 502620, 502625, 502626, 502630, 502631, 502632, 502633, 502664, 502743, 502756, 502766, 502804, 502822, 502861, 502862, 502868, 502882, 502903, 502915, 502936, 502943.	<b>188 92272</b>	Screw—Cap, Hex. Hd. — 5/16-18 x 3/4"	<b>207 26855</b>	Spring—Gov. Control Rod
	<b>296537</b> Pipe—Fuel (carburetor to filter)	<b>189 90366</b>	Washer—Lock, 5/16 x 1/8 x 1/16"	<b>208 230460</b>	Rod—Governor Control (Used on Model 143300 Series only)
	<b>89248</b> Pipe—Fuel (between filters)	<b>192 91397</b>	Nut—Hex. —5/16-18	<b>Note:</b>	<b>230499</b> Rod—Governor Control Used on type Nos. 502531, 502541, 502558, 502615, 502616, 502679.
	<b>92655</b> Tee The above fuel pipes and fitting are used on type Nos. 0192, 0218, 0230, 0231, 0239, 0240, 0249, 0252, 0264, 0272, 0280, 502659, 502665, 502680, 502681, 502686, 502688, 502714, 502801, 502806,	<b>200 295844</b>	Blade—Governor <b>Note:</b> <b>221148</b> Guide—Air (Used on Model 143400 Series)	<b>209 260321</b>	Spring—Governor (Used on Model 143300 Series) <b>Note:</b> <b>260421</b> Spring—Governor Used on type Nos. 0205, 0213, 502520, 502523, 502526, 502527, 502532, 502567, 502568, 502574, 502587, 502596, 502605, 502722, 502732, 502762, 502779, 502816, 502854, 502857, 502924, 502929.
		<b>201 260120</b>	Link—Governor (Used on Model 143300 Series) <b>Note:</b> <b>260428</b> Link—Governor (Used on Model 143400 Series)	<b>260546</b>	Spring—Mech. Governor (Used on Model 143400 Series)
		<b>202 260383</b>	Link—Governor (Used on Model 143300 Series)		
		<b>203 221052</b>	Crank—Bell		
		<b>204 230117</b>	Collar		
		<b>205 92722</b>	Screw—Bell Crank Mtg.		
		<b>206 230533</b>	Nut—Gov. Control Rod (Used on Model 143300 Series) <b>Note:</b> <b>230149</b> Nut—Governor Control Rod Used on Model 143400 Series and on type Nos. 502531, 502541, 502545, 502558, 502615, 502616, 502679.		

# 143300 to 143457

REF. NO.	PART NO.	DESCRIPTION	REF. NO.	PART NO.	DESCRIPTION	REF. NO.	PART NO.	DESCRIPTION
219	296688	Governor Housing and Gear Assembly			Used on type Nos. 0160, 502553, 502621, 502637, 502657, 502811, 502812, 502883.	241	99909	Used on type No. 0236. Cover Assembly—Fuel
220	221361	Washer—Thrust (.030" thick)				<b>Note:</b>	21145	Cover—Fuel Filter
	<b>Note:</b>	220673 Washer—Thrust (1/16" thick)			296031 Filter Assy.—Fuel (at Carburetor)			Uses: 91635 Nipple (Between carb. elbow and filter cover)
		Used on earlier model engines.			Used on type Nos. 0196, 502541, 502635, 502813, 502831, 502844, 502869, 502887, 502916, 502950.			Used on type Nos. 0196, 0204, 502541, 502635, 502813, 502831, 502844, 502856, 502869, 502887, 502916, 502950.
221	230177	Cup—Governor			298090 Filter—Fuel			293966 Cover Assembly—Fuel Filter
222	221144	Bracket—Mech. Governor			Used in fuel pipe on type Nos. 0236, 0242, 0244, 502693, 502726, 502924.			Used on type Nos. 0113, 0114, 0123, 0130, 0131, 0133, 0134, 0135, 0138, 0139, 0140, 0251, 502514, 502577, 502584, 502604, 502610, 502611, 502620, 502625, 502626, 502630, 502631, 502632, 502633, 502664, 502726, 502743, 502756, 502766, 502778, 502804, 502822, 502861, 502862, 502868, 502882, 502903, 502911, 502915, 502936, 502943.
223	221145	Lever—Governor Control			297563 Outlet—Fuel Tank (less filter)			296005 Cover Assembly—Fuel Filter
	<b>Note:</b>	221520 Lever—Governor Control			Includes: 293934 Shut-Off Valve			Used on type Nos. 0160, 502553, 502621, 502637, 502657, 502811, 502812, 502883.
		Used on type Nos. 0177, 502827.			53029 Connector—Fuel Pipe (steel)	242	295913	Valve—Fuel Shut-Off
224	91841	Screw—Machine, Fil. Hd.—6-32 x 1/4"			Used as a combination to replace tank outlet and fitting assembly on type Nos. 0196, 0236, 0242, 0244, 502541, 502693, 502813, 502831, 502844, 502869, 502887, 502916, 502950.	<b>Note:</b>	293934	Valve—Fuel Shut-Off
225	230526	Shaft—Governor Lever			297563 Outlet—Fuel Tank (less filter)			Used with tank outlet 297563.
226	220381	Follower—Gov. Crank			Includes: 293934 Shut-Off Valve			Outlet (see Ref. No. 240 under note) on type Nos. 0196, 0204, 0236, 0242, 0244, 502541, 502635, 502693, 502726, 502813, 502831, 502844, 502856, 502869, 502887, 502916, 502950.
227	296087	Lever Assy.—Governor			297563 Outlet—Fuel Tank (less filter)			<b>Note:</b> 293934 Valve replaces: 89614 Valve—Shut-Off
228	93100	Screw—Governor Lever			67218 Connector (Plastic)			
229	220680	Washer—Thrust			Used on type Nos. 502635 engines used part number 67218 Connector for flexible fuel pipe.			
230	22826	Washer—Spacer			297563 Outlet—Fuel Tank (less filter)			
231	93064	Screw—Governor Housing to Crankcase Cover Mounting Sem			67218 Connector (Plastic)			
					Used on type Nos. 502726, 502924 with flexible fuel pipe.			
232	260178	Spring—Governor Link			298090 Filter—Fuel (in Fuel Pipe)			
240	99910	Filter Assembly—Fuel						
	<b>Note:</b>	293964 Filter Assy.—Fuel						
		Used on type Nos. 0113, 0114, 0123, 0130, 0131, 0133, 0134, 0135, 0138, 0139, 0140, 0251, 502514, 502577, 502584, 502604, 502610, 502611, 502620, 502625, 502626, 502630, 502631, 502632, 502633, 502664, 502726 (for filter in fuel pipe used on type 502726 order part 298090), 502743, 502756, 502766, 502778, 502804, 502822, 502861, 502862, 502868, 502882, 502903, 502911, 502915, 502936, 502943.						
		295984 Filter Assy.—Fuel						
		Uses: 91635 Nipple (To connect filter to tank)						

**143300 to 143457**

REF. NO.	PART NO.	DESCRIPTION	REF. NO.	PART NO.	DESCRIPTION	REF. NO.	PART NO.	DESCRIPTION
		93255 Elbow (brass)			between filter and tank.	<b>285</b>	<b>260505</b>	Link—Automatic Choke
		67218 Elbow (plastic)			<b>230318</b> Connector—Fuel Pipe (plastic)	<b>286</b>	<b>296838</b>	Thermostat Assembly
		Used on some type No. 502635 engines.			Used on type Nos. 0160, 0196, 0236, 0242, 0244, 502553, 502621, 502637, 502811, 502812, 502869, 502883, 502887.	<b>287</b>	<b>90050</b>	Screw—Machine, Rd. Hd.—6-32 x 1/4" x 3/8" x 1/4"
<b>243</b>	<b>22547</b>	Screen—Fuel Filter				<b>288</b>	<b>90362</b>	Washer—Lock—No. 6 x 3/64 x 1/32"
	<b>Note:</b>	<b>62876</b> Screen—Fuel Filter	<b>245</b>	<b>*68477</b>	Gasket—Fuel Filter Bowl	<b>289</b>	<b>23886</b>	Support—Thermostat Shaft (outer)
		Used on type Nos. 0196, 0204, 502541, 502635, 502813, 502831, 502844, 502856, 502869, 502887, 502916, 502950.	<b>246</b>	<b>298683</b>	Bowl—Fuel Filter	<b>290</b>	<b>296837</b>	Bracket and Tube
<b>244</b>	<b>53029</b>	Connector—Fuel Pipe	<b>247</b>	<b>99665</b>	Yoke—Fuel Filter	<b>291</b>	<b>26594</b>	Thermostat
	<b>Note:</b>	<b>63377</b> Connector	<b>258</b>	<b>93062</b>	Screw—Sem	<b>292</b>	<b>23885</b>	Support—Thermostat Shaft (inner)
		Used on type Nos. 0113, 0114, 0123, 0130, 0131, 0133, 0134, 0135, 0138, 0139, 0140, 0204, 0251, 502514, 502577, 502584, 502604, 502610, 502611, 502620, 502625, 502626, 502630, 502631, 502632, 502633, 502635, 502664, 502726 (with metal fuel pipe), 502743, 502756, 502766, 502778, 502804, 502822, 502856, 502861, 502862, 502868, 502882, 502903, 502911, 502915, 502936, 502943.	<b>260</b>	<b>295917</b>	Housing—Speed Control	<b>293</b>	<b>23884</b>	Stop—Thermostat Shaft
		<b>67218</b> Connector (plastic)	<b>261</b>	<b>93105</b>	Screw—Sem	<b>294</b>	<b>92678</b>	Screw—Set Socket Head—6-32 x 5/16"
		Used on the following type numbers when equipped with a flexible fuel pipe: 0196, 502541, 502635, 502726, 502813, 502831, 502844, 502869, 502887, 502916, 502950.	<b>263</b>	<b>93223</b>	Screw—Stop	<b>295</b>	<b>230624</b>	Shaft—Thermostat
		<b>91635</b> Connector (straight)	<b>264</b>	<b>90355</b>	Nut—Hex.—10-32	<b>296</b>	<b>291044</b>	Lever Assy.—Thermostat Tr
		Used between filter and fuel pipe on type Nos. 502675, 502775, 502948.	<b>265</b>	<b>22372</b>	Clamp—Casing	<b>300</b>	<b>294599</b>	Muffler—Exhaust
		<b>92800</b> Connector—Filter (2)	<b>266</b>	<b>291460</b>	Control—Throttle		<b>Note:</b>	<b>89953</b> Muffler—Exhaust
		Used on type Nos. 0133, (502726 with metal fuel pipe), 502778, 502911	<b>267</b>	<b>90080</b>	Screw—Machine, Rd. Hd.—10-32 x 7/16"			Used on type Nos. 0170, 0178, 0197, 0242, 0257, 502637, 502657, 502744, 502754, 502756, 502781, 502842, 502903, 502904, 502908, 502910, 502912, 502936, 502946.
			<b>268</b>	<b>65616</b>	Casing—Control Wire—72" long			<b>296371</b> Muffler—Exhaust
				<b>Note:</b>	If longer casing is required, specify length in inches; if shorter wire is needed, order No. 65616 and cut to required length.			Used on type Nos. 0138, 0155, 0212, 0255, 502752, 502776, 502803, 502839, 502846, 502851, 502862, 502902, 502957.
			<b>269</b>	<b>26633</b>	Wire—Control—78" long			<b>297205</b> Muffler—Exhaust
				<b>Note:</b>	If longer wire is required, specify length in inches; if shorter wire is needed, order No. 26633 and cut to required length.			Used on type Nos. 0146, 502786.
			<b>270</b>	<b>63426</b>	Locknut—Control Wire Casing	<b>301</b>	<b>91245</b>	Nipple—Exhaust
			<b>271</b>	<b>290568</b>	Lever Assy.—Control	<b>302</b>	<b>91242</b>	Locknut—Muffler and Elbow
				<b>Note:</b>	<b>294930</b> Sector and Lever	<b>303</b>	<b>91246</b>	Elbow—Muffler—45 degree
					Used on type No. 502811.		<b>Note:</b>	<b>91205</b> Elbow—Muffler, 90 degree
			<b>272</b>	<b>290584</b>	Base—Control Wire			Used on type Nos. 0244, 502588, 502622, 502700.
			<b>273</b>	<b>290642</b>	Lever—Control			<b>91219</b> Elbow—Muffler, 45 degree, Street
			<b>274</b>	<b>91237</b>	Washer—Lock—1/4 x 3/32 x 5/64"			Used on type Nos. 0144, 0149, 0226, 0243, 502539, 502572, 502657, 502716, 502824, 502879, 502910, 502933, 502939, 502940, 502949.
			<b>275</b>	<b>92287</b>	Screw—Machine, Rd. Hd.—10-32 x 1/4"			
			<b>276</b>	<b>22834</b>	Washer—Spacer			
			<b>277</b>	<b>22368</b>	Washer—Control Lever			
			<b>278</b>	<b>22725</b>	Washer—Control Lever			
			<b>279</b>	<b>92306</b>	Screw—Cap, Hex. Hd.—1/4-28 x 5/8"			

\* Included in Gasket Set—Part No. 295970.

## 143300 to 143457

REF. PART NO.	PART NO.	DESCRIPTION	REF. PART NO. - NO.	DESCRIPTION	REF. PART NO.	PART NO.	DESCRIPTION	
		<p><b>91464</b> Elbow—Muffler, 90 degree, Street Used on type Nos. 0153, 0166, 0197, 0202, 0204, 0219, 0234, 0236, 0253, 0257, 0267, 502539, 502634, 502635, 502637, 502672, 502716, 502729, 502738, 502754, 502756, 502763, 502780, 502781, 502784, 502785, 502800, 502818, 502828, 502842, 502843, 502844, 502855, 502856, 502881, 502908, 502912, 502931, 502934, 502944, 502947, 502949, 502950.</p>		<p>502625, 502626, 502630, 502631, 502632, 502633, 502664, 502667, 502693, 502726, 502740, 502743, 502756, 502766, 502822, 502832, 502861, 502903, 502946, 502953, 502958.</p>				
304	294605	Housing—Blower		<p><b>296516</b> Housing—Blower When ordering this blower housing, order No. 297415 screw and nut kit also, to remount the belt guard. Used on type Nos. 0204, 502635, 502856.</p>				
	<b>Note:</b>	<p><b>221269</b> Housing—Blower Used on type Nos. 0155, 0212, 0223, 0255, 502752, 502776, 502803, 502829, 502846, 502851, 502902, 502957.</p>		<p><b>297017</b> Housing—Blower Used on type No. 502727.</p>				
		<p>Uses: <b>221264</b> Plate—Baffle <b>93166</b> Screw—Baffle Plate Mounting (3)</p>		<p><b>297127</b> Housing—Blower Used on type Nos. 0177, 0213, 502587, 502722, 502732, 502779, 502816, 502827, 502830, 502831, 502887, 502888, 502929.</p>	306	221005	Shield—Cylinder	
		<p><b>296012</b> Housing—Blower When ordering this blower housing, order No. 297415 screw and nut kit also, to remount the belt guard. Used on type Nos. 0113, 0123, 0133, 0251, 502526, 502567, 502577, 502584, 502604, 502778, 502868, 502882, 502911, 502915, 502936, 502943.</p>		<p><b>297188</b> Housing—Blower Used on type Nos. 0236, 0242, 502813, 502844, 502916, 502950.</p>	307	93163	Screw—Cylinder Shield Mounting Sem	
		<p><b>296454</b> Housing—Blower When ordering this blower housing, order No. 297415 screw and nut kit also, to remount the belt guard. Used on type Nos. 0114, 0130, 0131, 0134, 0135, 0139, 0140, 0169, 0246, 0278, 502610, 502611, 502620,</p>		<p><b>297189</b> Housing—Blower Used on type Nos. 0112, 0132, 0137, 502513, 502530, 502637, 502773, 502810, 502811, 502838, 502839, 502889, 502913.</p>	308	220824	Cover—Cylinder Head	
				<p>Uses: <b>221264</b> Plate—Baffle <b>93166</b> Screw—Plate Mtg. (3)</p>		<b>Note:</b>	<p><b>221153</b> Cover—Cyl. Head Used on type Nos. 0138, 0170, 0175, 0184, 0190, 0207, 0211, 0217, 0223, 0238, 0245, 0250, 0251, 0265, 0283, 502540, 502583, 502586, 502594, 502624, 502627, 502629, 502637, 502642, 502644, 502658, 502661, 502662, 502677, 502692, 502708, 502725, 502736, 502759, 502774, 502790, 502802, 502803, 502807, 502812, 502829, 502862, 502868, 502910, 502922, 502932, 502946.</p>	
				<p><b>298106</b> Housing—Blower Used on type Nos. 0151, 502948.</p>	309	296122	Motor—Electric Starter (12 volt) (Electric Auto-Lite No. Med 4001) For Service on these motors see your nearest "Authorized Auto-Lite Service Station".	
				<p>Uses: <b>221264</b> Plate—Baffle <b>93166</b> Screw—Baffle Plate Mounting (3)</p>	310	93268	Bolt—Case	
					317	296013	Bracket—Starter	
			305	93158	Screw—Sem			



# 143300 to 143457

REF. NO.	PART NO.	DESCRIPTION	REF. NO.	PART NO.	DESCRIPTION	REF. NO.	PART NO.	DESCRIPTION
320	297162	Pulley--Idler						502583, 502644, 502751, 502774.
321	210961	Pulley--Electric Starter						
321A	210899	Pulley--Vee Belt				337	29693	Plug--Spark
	<b>Note:</b>	211027 Pulley--Starter Used on type Nos. 0204, 502635, 502667, 502856.	328A	221447	Guard--Belt			<b>Note:</b> 291954 Plug--Spark Used on type Nos. 0196, 502869, 502914, 502957.
322	90931	Screw--Cap, Hex. Hd. -- 1/4-20 x 2-1/4"						293918 Plug--Spark Used on type Nos. 0154, 0155, 0162, 0165, 0184, 0212, 0218, 0255, 0257, 0275, 502565, 502574, 502589, 502601, 502641, 502654, 502678, 502684, 502695, 502714, 502776, 502777, 502846, 502851, 502863, 502866, 502871, 502876, 502902, 502905, 502925, 502941.
	<b>Note:</b>	92636 Screw--Cap, Hex. Hd. -- 1/4-20 x 2"	329	93246	Screw--Belt Guard Mounting Sem			
		Used on type Nos. 0204, 502513, 502563, 502581, 502593, 502635, 502637, 502667, 502671, 502773, 502800, 502810, 502811, 502813, 502824, 502831, 502838, 502844, 502887, 502889, 502913, 502916, 502950.	330	29878	Rope--Starter			
323	67318	Belt--Vee						
323A	68588	Belt--Vee Used after Serial No. 6503171.						
	<b>Note:</b>	66828 Belt--Vee Used before Serial No. 6503181.	332	92284	Nut			
		67388 Belt--Vee Used on type Nos. 502513, 502637 before Serial No. 132142; also used on type Nos. 502563, 502593.	333	296834	Armature Assembly <b>Note:</b> 296703 Armature Assy. Uses: 295179 Shielding Sleeve--Ignition Cable 66298 Bushing--Ignition Cable 92704 Terminal--Ignition Cable Used on type Nos. 502869, 502914, 502957.	338	29806	Gasket--Spark Plug
		67708 Belt--Vee Used on type Nos. 0236, 0242, 0244, 502813, 502844, 502916, 502950.	334	93381	Screw--Armature Mounting Sem	339	29667	Breaker Assy.--Ignition
324	221067	Screen--Electric Starter <b>Note:</b> 297004 Screen -- Electric Starter Used on type No. 502726. Uses: 230718 Spacer 93106 Screw--Sem Used between screen and pulley.	335	93381	Screw--Armature Mounting Sem	340	26018	Spring--Breaker Arm
			336	294735	Cable--Ignition This group of ignition cables including Part 294735 is used on engines when cable is not molded in ignition coil. <b>Note:</b> 296010 Cable--Ignition Used on type Nos. 502540, 502586, 502594, 502624, 502627, 502629, 502637, 502642, 502658, 502661, 502662, 502677, 502692, 502708, 502725, 502736, 502759, 502790, 502802, 502803, 502807, 502812, 502829, 502839, 502862, 502868, 502910, 502922. 296236 Cable--Ignition Used on type Nos.	342	65704	Plunger--Breaker Point
325	221400	Pulley--Rope Starter				343	29861	Condenser
326	92272	Screw--Cap, Hex. Hd. -- 5/16-18 x 3/4"				344	93370	Screw--Condenser Mounting Sem
327	93188	Washer--Lock, 5/16 x 3/32 x 5/64"				345	221046	Cover--Breaker Point
328	221122	Guard--Belt				346	93014	Screw--Breaker Point Cover Mounting Sem
						347	221808	Switch--Stop <b>Note:</b> 220197 Switch--Stop Used on type Nos. 0146, 0214. 293739 Switch--Stop Used on type Nos. 0200, 502599, 502815.
						348	67118	Block--Stop Switch
						349	221077	Blade--Switch
						350	221078	Clamp--Switch Blade
						351	93218	Screw--Stop Switch
						352	66068	Washer--Insulating
						353	92791	Washer--Lock--Shakeproof
						354	90576	Nut--Hex. --8-32
						355	66554	Collar--Insulating
						356	295413	Wire--Ground
						357	91540	Key--Pulley <b>Note:</b> 63055 Key--Pulley Used on type No. 502928.
						358	295970	Gasket Set
						362	291630	Shield Spark Plug (with stop switch) <b>Note:</b> 66538 Elbow--Spark Plug

# 143300 to 143457

REF. NO.	PART NO.	DESCRIPTION	REF. NO.	PART NO.	DESCRIPTION	REF. NO.	PART NO.	DESCRIPTION
		Used on type Nos. 0197, 0200, 0242, 502599, 502800, 502815, 502842, 502889, 502931.	<b>490</b>	<b>67125</b>	Fuse-3Ag-7-1/2 Amps.			
		<b>89742</b> Shield-Spark Plug Used on type No. 502637.	<b>491</b>	<b>221241</b>	Support-Charger Mtg.			<b>Note:</b> <b>296180</b> Regulator (Delco-Remy No. 1119165)
<b>363</b>	<b>19165</b>	Puller-Flywheel (optional accessory)	<b>492</b>	<b>296028</b>	Starter-Gen. (12 volt) (Delco-Remy No. 1101968 and Pulley-Delco-Remy No. 1949358.)			Used on type Nos. 502563, 502593, 502829, 502913.
<b>370</b>	<b>66432</b>	Washer-Plain			<b>Note:</b> <b>297423</b> Starter-Generator (Delco-Remy No. 1101990)			<b>297196</b> Regulator-Voltage (Delco-Remy No. 1119577)
<b>380</b>	<b>62199</b>	Washer-Plain			Used on type Nos. 502563, 502593, 502829, 502913.			Uses: <b>297197</b> Clamp (Regulator to Generator)
<b>381</b>	<b>91419</b>	Screw-Cap, Hex. Hd. - 1/4-20 x 5/8"			Uses: <b>221703</b> Fan (Delco-Remy No. 1944437)			<b>297199</b> Wire-Lead (2) (Regulator to Generator)
<b>382</b>	<b>92666</b>	Screw-Cap, Hex. Hd. - 1/4-20 x 1/2"			<b>296182</b> Pulley (Delco-Remy No. 1949358)			Used on type Nos. 502773, 502811, 502889.
		<b>Note:</b> <b>93383</b> Screw-Starter Bracket Mounting			For service on the Starter-Generator and Voltage Regulator see your nearest "Authorized Delco-Remy Service Station of United Motors"			<b>502</b> <b>93107</b> Screw-Sem
		<b>91808</b> Washer-Lock						<b>503</b> <b>221205</b> Strap-Starter (long)
		Used on type Nos. 0204, 502635, 502856.						<b>Note:</b> Starter Strap (long) used on type No. 502667 is furnished by Copar, Inc., Laurel, Md.
<b>383</b>	<b>89838</b>	Wrench-Spark Plug	<b>493</b>	<b>211112</b>	Bracket-Starter			<b>221314</b> Strap-Starter (long)
<b>384</b>	<b>62899</b>	Washer-Thermostat			<b>Note:</b> <b>295366</b> Bracket-Upper Starter			Used on type Nos. 0204, 502635, 502856.
<b>401</b>	<b>211009</b>	Spacer-Carb. Elbow (Used only on engines equipped with automatic choke)			<b>296197</b> Bracket-Lower Starter			<b>504</b> <b>221206</b> Strap-Starter (short)
<b>411</b>	<b>93448</b>	Plug-Oil Level Hole			Used on type Nos. 502513, 502637 are replaced by Starter Brkt. Kit No. 297517.			<b>Note:</b> Starter Strap (short) used on type No. 502667 is furnished by Copar, Inc., Laurel, Md.
<b>413</b>	<b>230581</b>	Nut-Starter Mounting						<b>221316</b> Strap-Starter (short)
<b>474</b>	<b>296436</b>	Armature-Flywheel Gen.			<b>497</b> <b>91203</b> Screw-Cap, Hex. Hd. - 5/16-18 x 1-3/4"			Used on type Nos. 0204, 502635, 502856.
<b>475</b>	<b>296562</b>	Rectifier			<b>Note:</b> <b>92271</b> Screw-Cap, Hex. Hd. - 5/16-18 x 1"			<b>505</b> <b>92278</b> Nut-Hex. -1/4-20
<b>477</b>	<b>67538</b>	Sleeving-Wire			Used on type Nos. 502513, 502563, 502637 before Serial No. 132142 to mount generator to bracket.			<b>506</b> <b>90072</b> Screw-Machine, Rd. Hd. - 8-32 x 5/8"
<b>478</b>	<b>296367</b>	Plate-Generator Mtg.			<b>92035</b> Screw-Cap, Hex. Hd. - 5/16-18 x 2-1/2"			<b>507</b> <b>66895</b> Insulator
<b>480</b>	<b>93163</b>	Screw-Support Plate and Bracket Mounting Sem			Used on type Nos. 502513, 502563, 502637 before Serial No. 132142 to mount lower bracket to engine.			<b>Note:</b> <b>66935</b> Insulator
		<b>Note:</b> <b>93171</b> Screw-Support Plate Mounting Sem						Used on type Nos. 0196, 502869, 502914.
		Used on type Nos. 502620, 502625, 502664, 502726, 502740, 502822, 502832.	<b>500</b>	<b>91325</b>	Washer-Plain			<b>508</b> <b>93294</b> Screw-Blower Housing Mounting Sem
<b>481</b>	<b>230582</b>	Spacer-Armature Mtg.	<b>501</b>	<b>295924</b>	Regulator-Voltage (Delco-Remy No. 1118988)			<b>512</b> <b>296560</b> Armature and Wiring Assy.
<b>482</b>	<b>93234</b>	Screw-Armature Mounting Sem						<b>513</b> <b>296567</b> Clutch Assembly-Electric Starter
<b>483</b>	<b>296266</b>	Capacitor (Condenser)						<b>514</b> <b>91700</b> Nut-Hex. -1/4-20
<b>484</b>	<b>93166</b>	Screw-Self Tapping, Hex. Hd., Sem						
<b>485</b>	<b>296437</b>	Post Assembly-Fuse						
<b>486</b>	<b>67135</b>	Fuse-3Ag-1-1/2 Amps.						
<b>487</b>	<b>296347</b>	Cap-Fuse Holder						
<b>488</b>	<b>296579</b>	Block Assembly-Fuse						
<b>489</b>	<b>93237</b>	Screw-Fuse Block Mounting Sem						

# 143300 to 143457

REF. NO.	PART NO.	DESCRIPTION	REF. NO.	PART NO.	DESCRIPTION	REF. NO.	PART NO.	DESCRIPTION
517	295423	Pulley—Rope Starter			0243, 502544, 502574,			<b>297171</b> Bracket—Guard (Lower)
518	69932	Rope—Starter			502753, 502823, 502846,			<b>297187</b> Bracket—Guard (Upper)
	<b>Note:</b>	<b>295904</b> Rope—Starter Used on type No. 502754.			502847, 502909, 502921, 502935, 502936, 502939, 502940.			Uses: <b>91439</b> Screw—Sem To mount Guard Bracket 297171 to Blower Hsg. (2 used)
521	297973	Shielding—Ignition Cable Used on ignition cables molded into coil.	536	298681	Cleaner Assembly—Air (Round Foam Type) Used after Serial No. 423825.			Used on type Nos. 0236, 0242, 0244, 502813, 502844, 502916, 502950.
523	295940	Cap Assy.—Oil Filler			<b>Note:</b> <b>297036</b> Cleaner Assy.—Air (Rectangular Foam Type) Used before Serial No. 423826 on type Nos. 0156, 0157, 0183, 0226, 0243, 502544, 502574, 502753, 502823, 502846, 502847, 502909, 502921, 502935, 502936, 502939, 502940.	606	221790	Strap—Adjusting (Used after Serial No. 6503171). <b>Note:</b> <b>221445</b> Strap—Adjusting (Used before Serial No. 6503181).
	<b>Note:</b>	<b>295688</b> Cap Assy.—Oil Filler Used on type No. 502521. <b>295923</b> Cap Assy.—Oil Filler Used on type Nos. 502532, 502533, 502567, 502584, 502626, 502889.						<b>220881</b> Strap—Adjusting Used on starter generator end flange on engines before Serial No. 132142. <b>221443</b> Strap—Adjusting Used on type Nos. 0236, 0242, 0244, 502813, 502831, 502844, 502887, 502916, 502950.
524	65304	Gasket—Oil Filler Cap	589	93171	Screw—Stop Switch Mounting Sem	608	295001	Starter Assy.—Rewind <b>Note:</b> <b>298107</b> Starter Assy.—Rewind Used on type Nos. 0151, 502948.
525	230553	Pipe—Oil Filler	590	93226	Screw—Breaker Mtg.	610	93337	Pin—Thermostat Shaft
	<b>Note:</b>	<b>230525</b> Pipe—Oil Filler Used on type No. 502521. <b>230553</b> Pipe—Oil Filler <b>230537</b> Adaptor—Oil Filler Pipe <b>91847</b> Screw—Adaptor Pipe Used on type Nos. 502532, 502533, 502567, 502584, 502626, 502889.	600	270055	Spacer—Air Cleaner Used on Model 143300, 143400 Series engines with No. 297036 Air Cleaner. (Rectangular Foam Type)	621	297472	Switch—Stop
535	270209	Element—Air Cleaner (Round Foam Type) Used after Serial No. 423825. <b>Note:</b> <b>27987</b> Element—Air Cleaner (Rectangular Foam Type) Used before Serial No. 423826 on type Nos. 0156, 0157, 0183, 0226,	605	298758	Bracket—Guard (Used after Serial No. 6503171). <b>Note:</b> <b>297170</b> Bracket—Guard (Used before Serial No. 6503181). <b>294779</b> Bracket—Guard Used on type Nos. 502513, 502637 before Serial No. 132142 is replaced by Starter Brkt. Kit No. 297517.	627	221568	Bracket—Stop Switch
						642	221634	Cover—Air Cleaner
						643	298522	Screen—Air Cleaner
						655	221014	Anchor—Spring
						656	260672	Spring—Idler Arm