



12W800

Illustrated Parts List

Model Series

12W800

TYPE NUMBERS
1174 through 2375.

TABLE OF CONTENTS

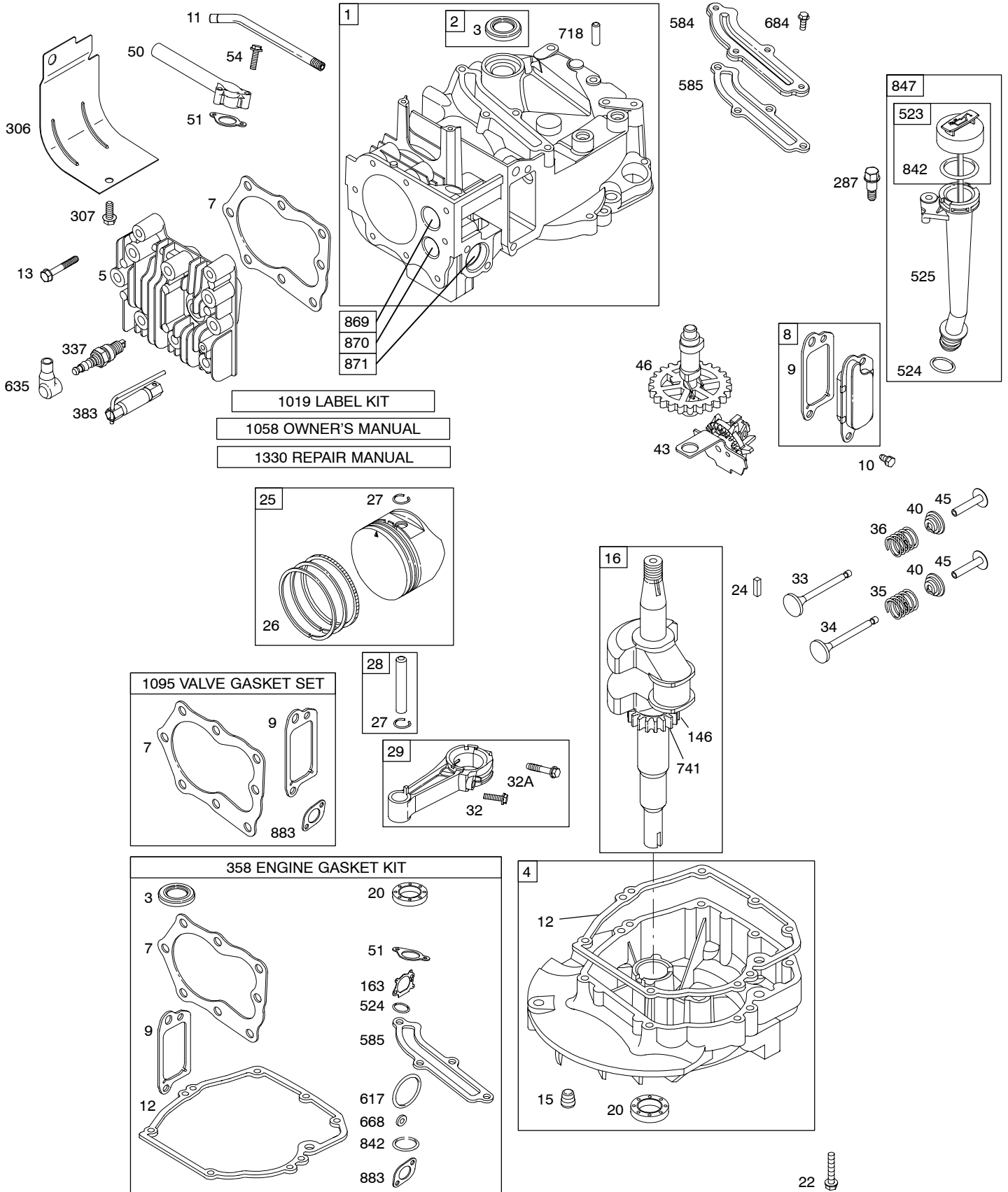
Alternator	6
Air Cleaner	4
Blower Housing/Shrouds	5
Camshaft	2
Carburetor	3
Controls	4
Crankshaft	2
Cylinder	2
Electric Starter	6
Electrical	6
Engine Sump	2
Exhaust System	4
Flywheel	5
Flywheel Brake	6
Fuel Supply	3
Governor Spring	4
Ignition	6
Kits/Gaskets	2 & 3
Lubrication	2
Piston Group	2
Rewind Starter	5
Valves	2



PRINTED IN U.S.A.

COPYRIGHT by BRIGGS & STRATTON CORPORATION
All rights reserved. No part of this material may be reproduced or transmitted, in any form or by any means, electronic or mechanical, including photocopying, recording or by any information storage and retrieval system, without permission in writing from Briggs & Stratton Corporation.

12W800

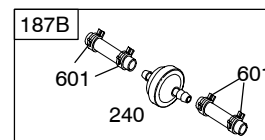
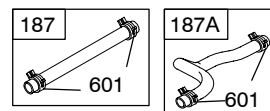
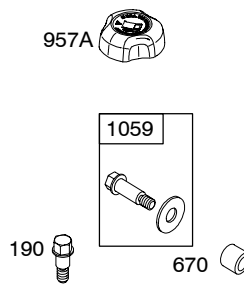
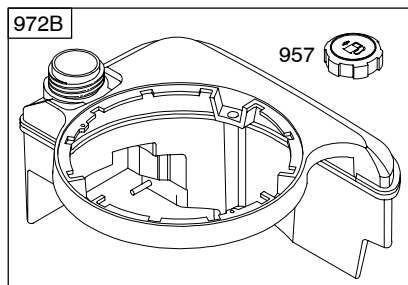
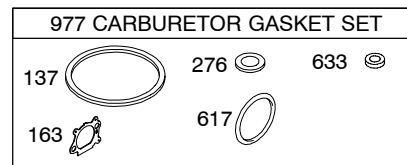
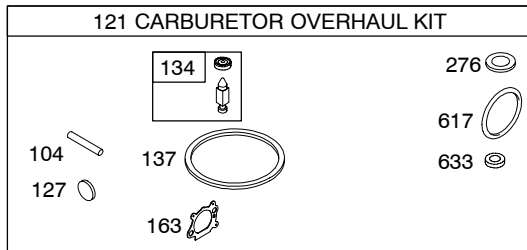
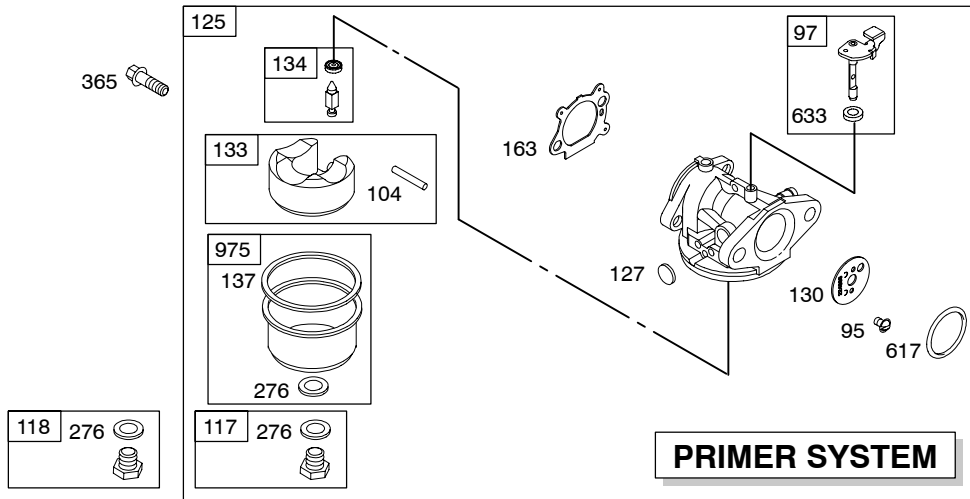


Illustrations cover a range of engines. Parts shown without corresponding text may not be used on your specific engine.

0882-2

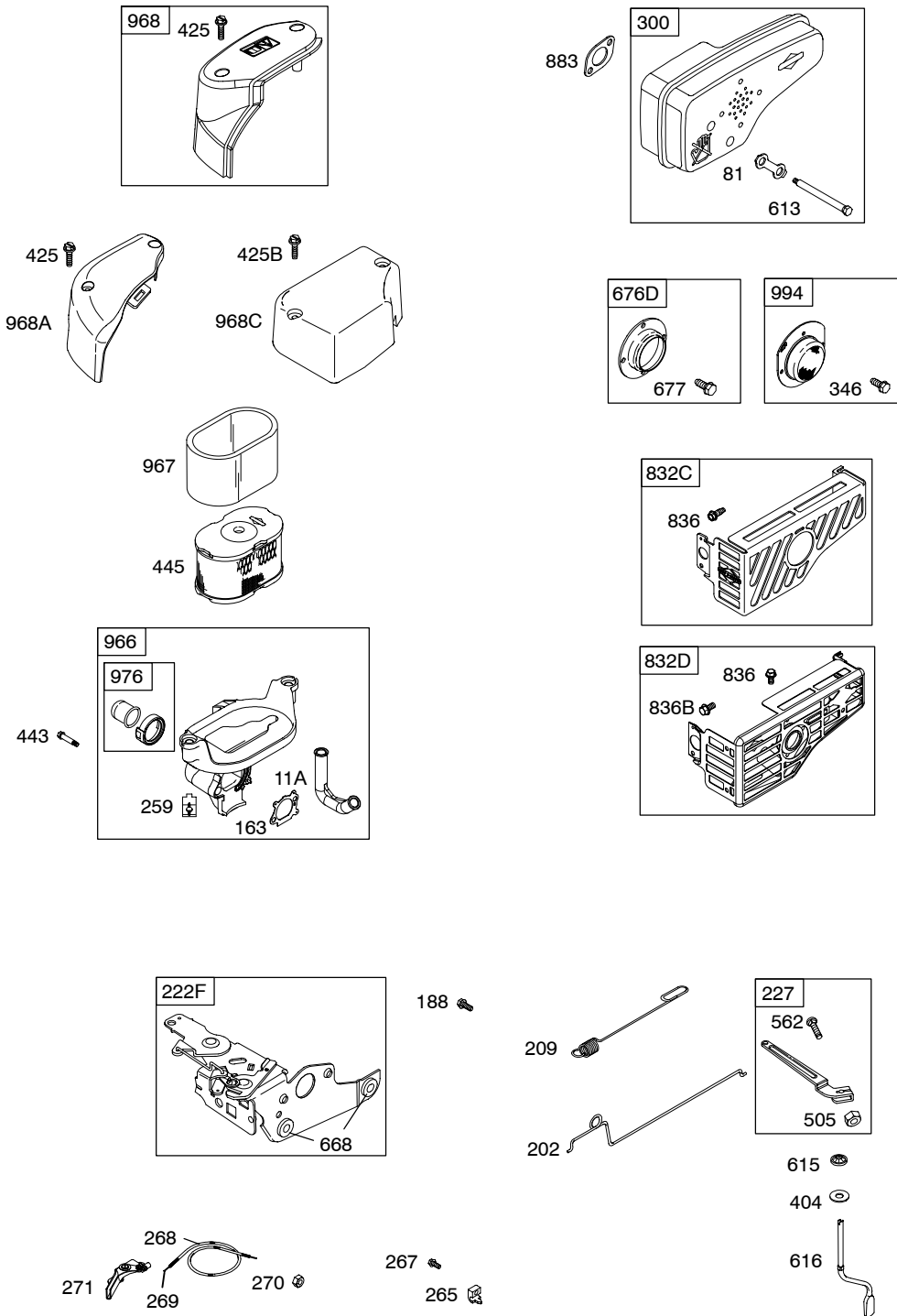
Assemblies include all parts shown in frames.

10/04/2005

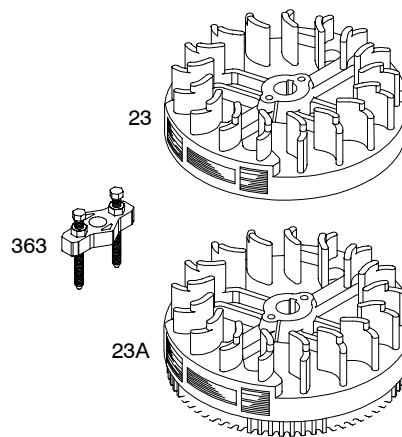
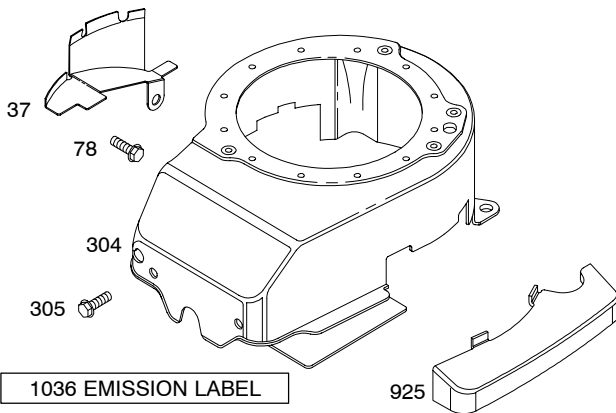
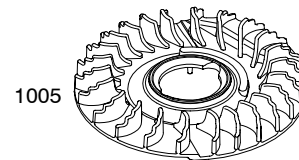
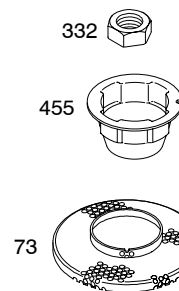
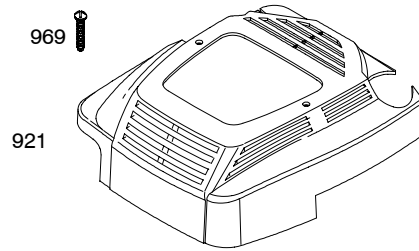
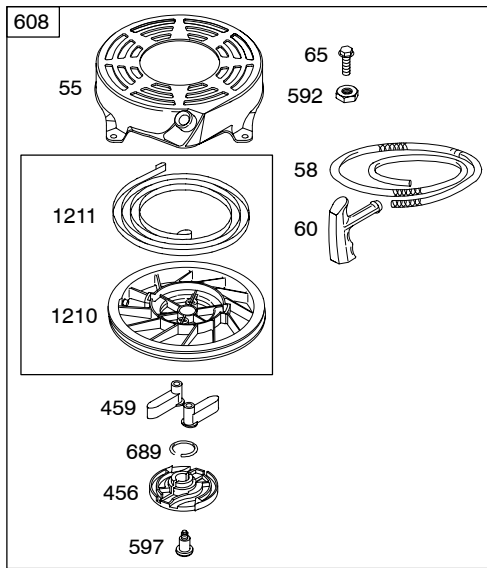


Illustrations cover a range of engines. Parts shown without corresponding text may not be used on your specific engine.
 0882-3 Assemblies include all parts shown in frames. 10/04/2005

12W800

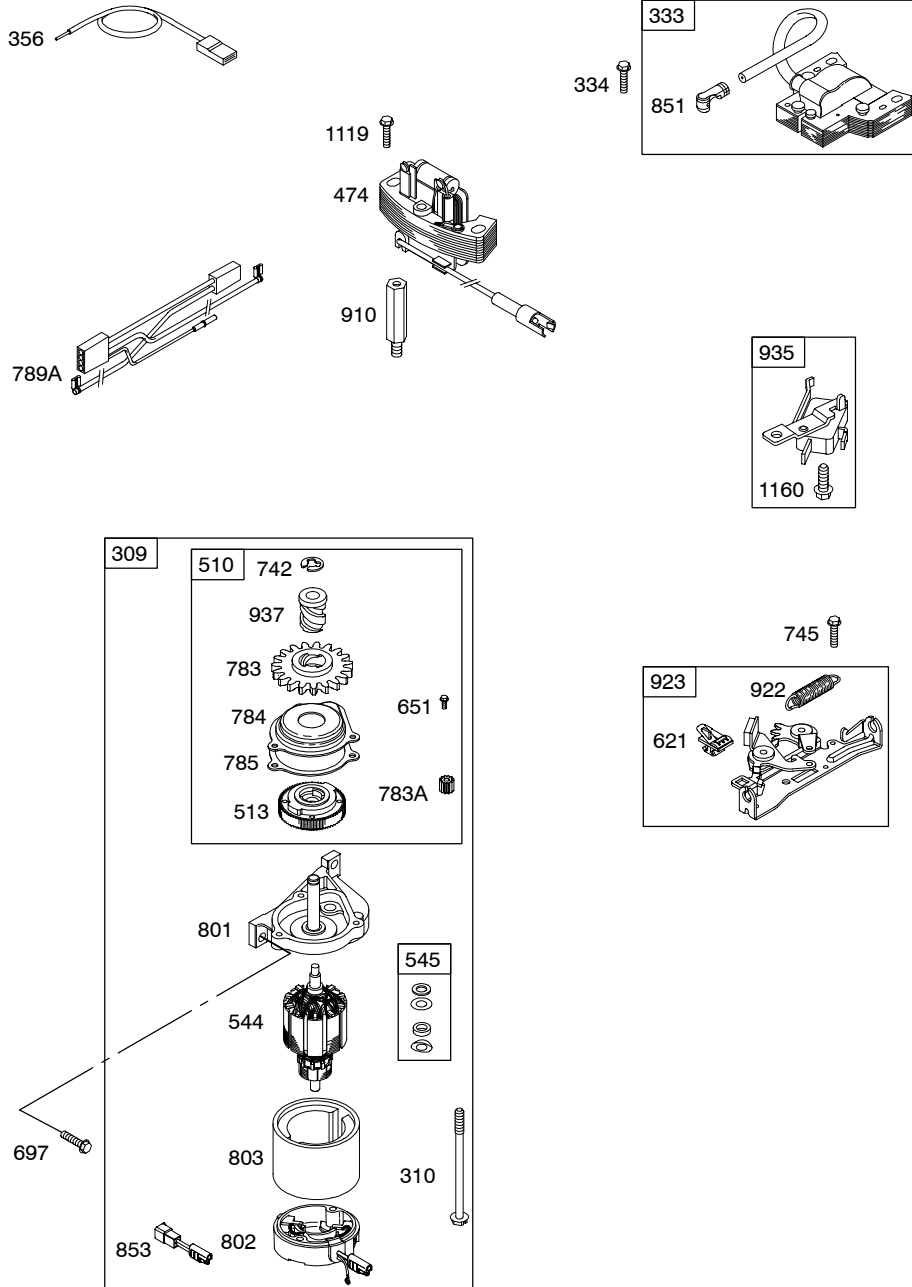


Illustrations cover a range of engines. Parts shown without corresponding text may not be used on your specific engine.
 0882-4 Assemblies include all parts shown in frames. 10/04/2005



0882-5 *Illustrations cover a range of engines. Parts shown without corresponding text may not be used on your specific engine.* Assemblies include all parts shown in frames. 10/04/2005

12W800



Illustrations cover a range of engines. Parts shown without corresponding text may not be used on your specific engine.
 0882-6 Assemblies include all parts shown in frames. 10/04/2005

12W800

REF. NO.	PART NO.	DESCRIPTION	REF. NO.	PART NO.	DESCRIPTION	REF. NO.	PART NO.	DESCRIPTION
1	697324	Cylinder Assembly	25	790358	Piston Assembly (Standard) (Used After Code Date 04031400).	26	790360	Ring Set (Standard) (Used After Code Date 04031400).
2	399269	Kit-Bushing/Seal (Magneto Side)			----- Note -----			----- Note -----
3	*299819	Seal-Oil (Magneto Side)			499433 Piston Assembly (Standard) (Used After Code Date 97011200 and Before Code Date 04031500).			499425 Ring Set (Standard) (Used After Code Date 97011200 and Before Code Date 04031500).
4	493279	Sump-Engine			494058 Piston Assembly (Standard) (Used Before Code Date 97011300).			493261 Ring Set (Standard) (Used Before Code Date 97011300).
5	691160	Head-Cylinder			499434 Piston Assembly (.010" Oversize) (Used After Code Date 97011200).			499426 Ring Set (.010" Oversize) (Used After Code Date 97011200).
7	*Ø692249	Gasket-Cylinder Head			499059 Piston Assembly (.010" Oversize) (Used Before Code Date 97011300).			493388 Ring Set (.010" Oversize) (Used Before Code Date 97011300).
8	695250	Breather Assembly			791325 Piston Assembly (.020" Oversize) (Used After Code Date 04102100).			791324 Ring Set (.020" Oversize) (Used After Code Date 04102100).
9	*Ø272481	Gasket-Breather			499435 Piston Assembly (.020" Oversize) (Used After Code Date 97011200 and Before Code Date 04102200).			499427 Ring Set (.020" Oversize) (Used After Code Date 97011200 and Before Code Date 04102200).
10	94650	Screw (Breather Assembly)			494060 Piston Assembly (.020" Oversize) (Used Before Code Date 97011300).			493389 Ring Set (.020" Oversize) (Used Before Code Date 97011300).
11	691781	Tube-Breather			499436 Piston Assembly (.030" Oversize) (Used After Code Date 97011200).			499428 Ring Set (.030" Oversize) (Used After Code Date 97011200).
11A	691934	Tube-Breather			499061 Piston Assembly (.030" Oversize) (Used Before Code Date 97011300).			493390 Ring Set (.030" Oversize) (Used Before Code Date 97011300).
12	*692232	Gasket-Crankcase						
13	690912	Screw (Cylinder Head)						
15	691680	Plug-Oil Drain (Square Socket)						
16	691451	Crankshaft (Used After Code Date 97011200). ----- Note ----- 694442 Crankshaft (Used Before Code Date 97011300). 694079 Crankshaft Used on Type No(s) 1701.						
20	*399781	Seal-Oil (PTO Side)						
22	691092	Screw (Crankcase Cover/Sump)						
23	692315	Flywheel (Rewind Start)						
23A	691987	Flywheel (Electric Start)						
24	222698	Key-Flywheel						
						27	691866	Lock-Piston Pin (Used After Code Date 97011200). ----- Note ----- 691588 Lock-Piston Pin (Used Before Code Date 97011300).

* Included in Engine Gasket Set-Ref. No.358.

● Included in Carburetor Overhaul Kit-Ref. No. 121.

◆ Included in Carburetor Gasket Set-Ref. No. 977.

Ø Included in Valve Gasket Set-Ref. No 1095.

Illustrations cover a range of engines. Parts shown without corresponding text may not be used on your specific engine.

12W800

REF. NO.	PART NO.	DESCRIPTION	REF. NO.	PART NO.	DESCRIPTION	REF. NO.	PART NO.	DESCRIPTION
28	499423	Pin-Piston (Standard) (Used After Code Date 97011200). ----- Note -----	43	691997	Slinger-Governor/Oil	163★◆272653		Gasket-Air Cleaner
	298909	Pin-Piston (Standard) (Used Before Code Date 97011300).	45	690548	Tappet-Valve	187	791766	Line-Fuel (Cut to Required Length) (Used After Code Date 05063000). ----- Note -----
	298908	Pin-Piston (.005" Oversize) (Used Before Code Date 97011300).	46	691449	Camshaft (Used After Code Date 96060200). ----- Note -----			691050 Line-Fuel (Cut to Required Length) (Used Before Code Date 05070100).
29	499424	Rod-Connecting (Standard) (Used After Code Date 97011200). ----- Note -----	50	497465	Manifold-Intake	187A	791873	Line-Fuel (Molded) (Used After Code Date 05063000). ----- Note -----
	490566	Rod-Connecting (Standard) (Used Before Code Date 97011300).	51	★272199	Gasket-Intake			691371 Line-Fuel (Molded) (Used Before Code Date 05070100).
	490743	Rod-Connecting (.020" Undersize) (Used Before Code Date 97011300).	54	691650	Screw (Intake Manifold)	187B	791891	Line-Fuel (Includes Filter) (Used After Code Date 05063000). ----- Note -----
32	691664	Screw (Connecting Rod)	55	691421	Housing-Rewind Starter			692042 Line-Fuel (Includes Filter) (Used Before Code Date 05070100).
32A	695759	Screw (Connecting Rod) (Used After Code Date 00042200).	58	280399	Rope-Starter (Cut To Required Length)	188	690877	Screw (Control Bracket)
33	262651	Valve-Exhaust	60	281434	Grip-Starter Rope	190	690940	Screw (Fuel Tank)
34	262652	Valve-Intake	65	690837	Screw (Rewind Starter)	202	691829	Link-Mechanical Governor
35	691270	Spring-Valve (Intake)	73	691222	Screen-Rotating	209	690319	Spring-Governor ----- Note -----
36	691270	Spring-Valve (Exhaust)	78	691108	Screw (Flywheel Guard)			691292 Spring-Governor Used on Type No(s). 1701.
37	694086	Guard-Flywheel	81	691740	Lock-Muffler Screw			
40	692194	Retainer-Valve	95	691636	Screw (Throttle Valve)			
			97	493267	Shaft-Throttle			
			104	◆691242	Pin-Float Hinge			
			117	497466	Jet-Main (Standard)			
			118	496495	Jet-Main (High Altitude)			
			121	498260	Kit-Carburetor Overhaul			
			125	498254	Carburetor			
			127	◆694468	Plug-Welch			
			130	691203	Valve-Throttle			
			133	398187	Float-Carburetor			
			134	◆398188	Kit-Needle/Seat			
			137	◆◆693981	Gasket-Float Bowl			
			146	690979	Key-Timing			

★ Included in Engine Gasket Set-Ref. No.358.

● Included in Carburetor Overhaul Kit-Ref. No. 121.

◆ Included in Carburetor Gasket Set-Ref. No. 977.

⊘ Included in Valve Gasket Set-Ref. No 1095.

Illustrations cover a range of engines. Parts shown without corresponding text may not be used on your specific engine.

12W800

REF. NO.	PART NO.	DESCRIPTION	REF. NO.	PART NO.	DESCRIPTION	REF. NO.	PART NO.	DESCRIPTION
222F	691436	Bracket-Control (Remote/Manual Friction) (Compliance) ----- Note -----	337	802592	Plug-Spark (Resistor)	585	★691879	Gasket-Breather Passage
	698163	Bracket-Control Used on Type No(s). 1701.			----- Note -----	592	690800	Nut (Rewind Starter)
227	690783	Lever-Governor Control	346	690661	Screw (Spark Arrestor)	597	691696	Screw (Pawl Friction Plate)
240	298090	Filter-Fuel	356	692390	Wire-Stop	601	95162	Clamp-Hose
259	69118	Bracket-Casing Clamp	358	497316	Gasket Set-Engine	608	497680	Starter-Rewind
265	690798	Clamp-Casing	363	19069	Flywheel Puller	613	691340	Screw (Muffler)
267	691044	Screw (Casing Clamp)	365	691688	Screw (Carburetor)	615	690340	Retainer-Governor Shaft
268	691072	Casing-Control Wire (Cut to Required Length)	383	89838	Wrench-Spark Plug	616	698801	Crank-Governor
269	691026	Wire-Control (Cut to Required Length)	404	690272	Washer (Governor Crank)	617★●◆	270344	Seal-O Ring (Intake Manifold)
270	691027	Nut (Control Wire Casing)	425	691135	Screw (Air Cleaner Cover)	621	692310	Switch-Stop
271	691028	Lever-Control	425B	693318	Screw (Air Cleaner Cover)	633●◆	691321	Seal-Choke/Throttle Shaft
276●◆	271716	Washer-Sealing	443	690349	Screw (Air Cleaner Primer Base)	635	66538	Boot-Spark Plug
287	690940	Screw (Dipstick Tube)	445	497725	Filter-Air Cleaner Cartridge	651	691660	Screw (Starter Gear Cover)
300	692038	Muffler (Tuned)	455	695161	Cup-Flywheel	668	★493823	Spacer (Includes 2)
304	493293	Housing-Blower	456	692299	Plate-Pawl Friction	670	692294	Spacer-Fuel Tank
305	691108	Screw (Blower Housing)	459	281505	Plate-Ratchet	676D	497682	Deflector-Muffler
306	690450	Shield-Cylinder	474	691991	Alternator	677	690661	Screw (Muffler Deflector)
307	690345	Screw (Cylinder Shield)	505	691251	Nut (Governor Control Lever)	684	690345	Screw (Breather Passage Cover)
309	695550	Motor-Starter	510	494147	Drive-Starter	689	691855	Spring-Friction
310	692327	Bolt (Starter Motor)	513	692358	Clutch-Drive	697	691127	Screw (Drive Cap)
332	690662	Nut (Flywheel)	523	495264	Dipstick	718	690959	Pin-Locating
333	802574	Armature-Magneto	524	★692296	Seal-Dipstick Tube	741	790345	Gear-Timing (Use Without Woodruff Key)
334	691061	Screw (Magneto Armature)	525	495265	Tube-Dipstick			----- Note -----
			544	690786	Armature-Starter	742	93941	Retainer-E Ring
			545	492919	Washer Set (Starter Motor)	745	691648	Screw (Brake)
			562	691119	Bolt (Governor Control Lever)			
			584	697734	Cover-Breather Passage			

★ Included in Engine Gasket Set-Ref. No.358.

● Included in Carburetor Overhaul Kit-Ref. No. 121.

◆ Included in Carburetor Gasket Set-Ref. No. 977.

⊘ Included in Valve Gasket Set-Ref. No 1095.

Illustrations cover a range of engines. Parts shown without corresponding text may not be used on your specific engine.

12W800

REF. NO.	PART NO.	DESCRIPTION	REF. NO.	PART NO.	DESCRIPTION	REF. NO.	PART NO.	DESCRIPTION
783	691918	Gear-Pinion (19 Teeth) (Starter Drive)	836	690664	Screw (Muffler Guard)	966	691439	Base-Air Cleaner Primer
783A	691269	Gear-Pinion (12 Teeth)	836B	690661	Screw (Muffler Guard)	967	273185	Filter-Pre Cleaner
784	692341	Cover-Starter Gear	842	*691031	Seal-O Ring (Dipstick Tube)	968	498997	Cover-Air Cleaner
785	692352	Gasket-Starter Cover	847	692017	Dipstick/Tube Assembly	968A	693198	Cover-Air Cleaner
789A	696547	Harness-Wiring (Used After Code Date 00040600).	851	493880	Terminal-Spark Plug	968C	791457	Cover-Air Cleaner
		----- Note -----	853	695268	Adapter-Wire	969	690700	Screw (Blower Housing Cover)
		691372 Harness- Wiring (Used Before Code Date 00040700).	869	691155	Seat-Valve (Intake)	972B	699374	Tank-Fuel (Plastic) (Standard)
801	690782	Cap-Drive	870	690380	Seat-Valve (Exhaust)	975	493640	Bowl-Float
802	695267	Cap-End (Used After Code Date 00040600).	871	262001	Bushing-Valve Guide (Exhaust)	976	694395	Primer-Carburetor
		----- Note -----			----- Note -----	977	498261	Gasket Set-Carburetor
		695975 Cap-End (Used Before Code Date 00040700).			63709 Bushing-Valve Guide (Intake)	994	398067	Arrestor-Spark
803	695266	Housing-Starter (Used After Code Date 00040600).	883 *Ø691881		Gasket-Exhaust	1005	691346	Fan-Flywheel
		----- Note -----	910	691094	Stud (Alternator)	1019	494256	Kit-Label
		695975 Housing- Starter (Used Before Code Date 00040700).	921	691339	Guard-Rewind	1036		Label-Emission (Available From An Authorized Briggs & Statton Sevice Dealer)
832C	691442	Guard-Muffler (Yardman Guard)	922	691831	Spring-Brake	1058	276171	Manual-Owner's
832D	494224	Guard-Muffler (Standard)	923	691994	Brake	1059	692311	Kit-Screw/Washer
			925	690595	Cover-Linkage	1095	498528	Gasket Set-Valve
			930	691919	Guard-Rewind	1119	691648	Screw (Alternator)
			930D	791454	Guard-Rewind	1160	691627	Screw (Interlock Switch)
			935	499421	Switch-Interlock	1210	498144	Pulley/Spring Assembly (Pulley)
			937	691325	Spline-Starter	1211	498144	Pulley/Spring Assembly (Spring)
			957	397974	Cap-Fuel Tank (Plastic)	1330	270962	Manual-Repair
			957A	692046	Cap-Fuel Tank (Plastic)			

★ Included in Engine Gasket Set-Ref. No.358.

● Included in Carburetor Overhaul Kit-Ref. No. 121.

◆ Included in Carburetor Gasket Set-Ref. No. 977.

Ø Included in Valve Gasket Set-Ref. No 1095.

Illustrations cover a range of engines. Parts shown without corresponding text may not be used on your specific engine.