



12V800

Illustrated Parts List

Model Series

12V800

TYPE NUMBERS
0109 through 3118.

TABLE OF CONTENTS

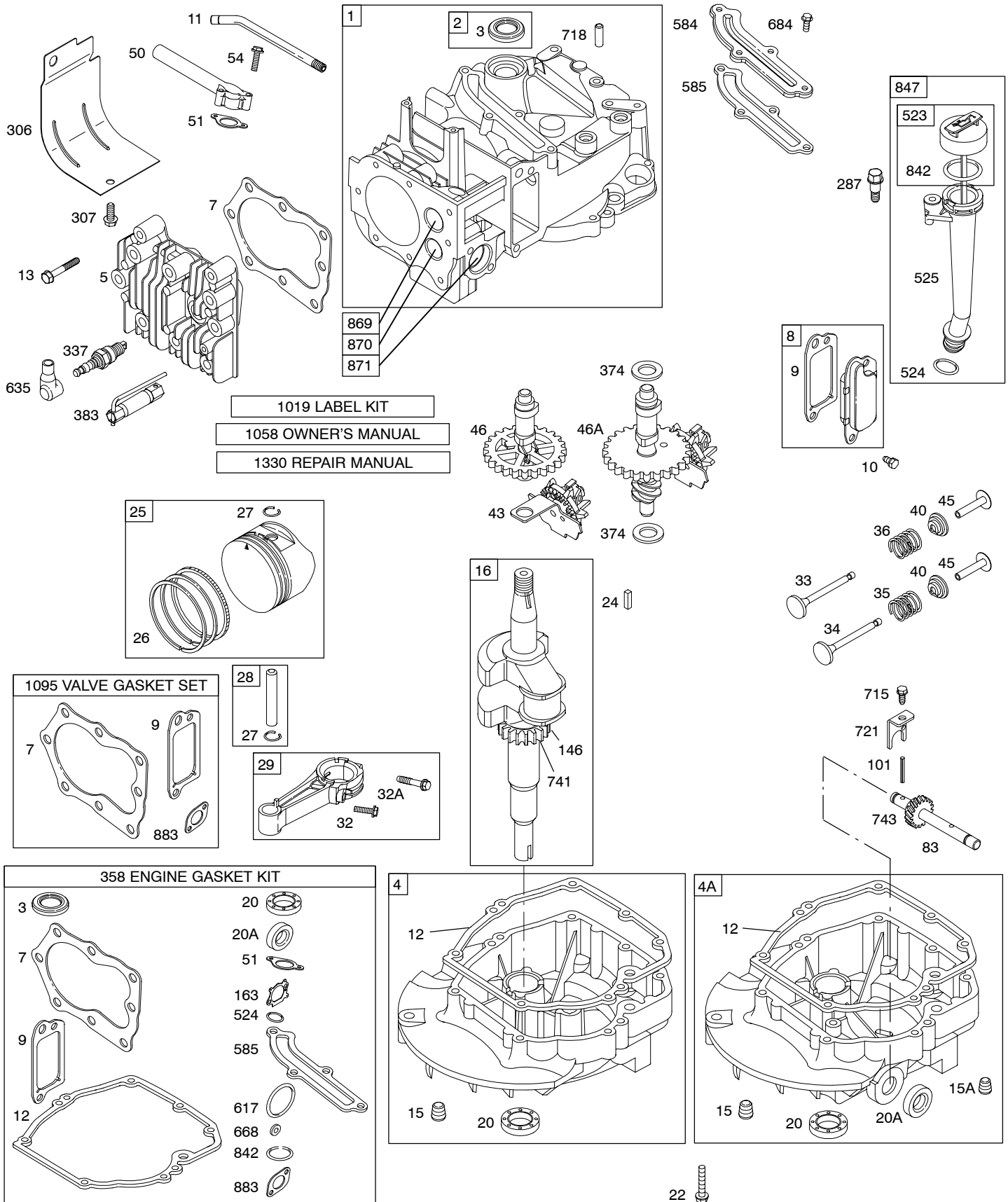
- Alternator 6
- Air Cleaner 4
- Blower Housing/Shrouds 5
- Camshaft 2
- Carburetor 3
- Controls 4
- Crankshaft 2
- Cylinder 2
- Electric Starter 6
- Electrical 6
- Engine Sump 2
- Exhaust System 4
- Flywheel 5
- Flywheel Brake 6
- Fuel Supply 3
- Governor Spring 4
- Ignition 6
- Kits/Gaskets 2 & 3
- Lubrication 2
- Piston Group 2
- Rewind Starter 5
- Valves 2



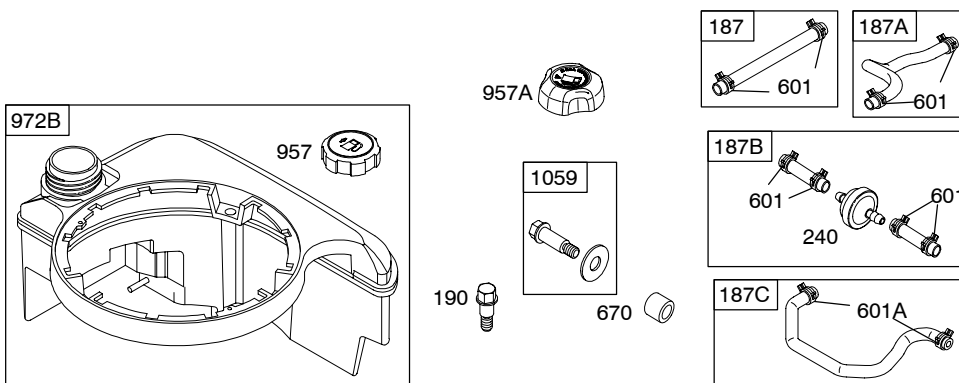
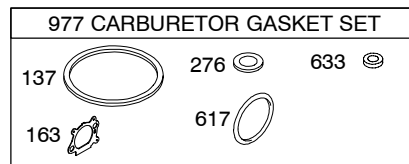
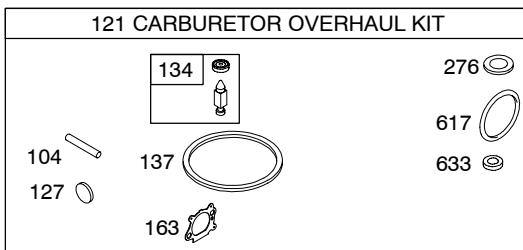
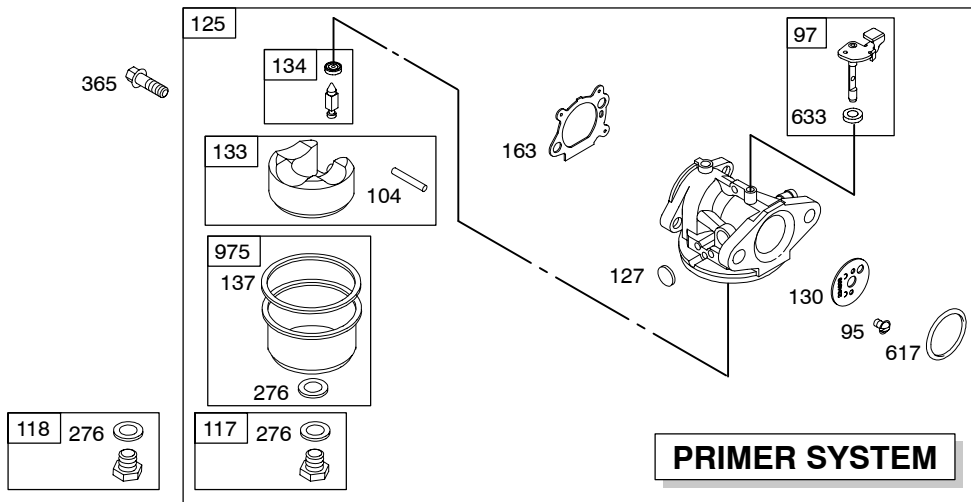
PRINTED IN U.S.A.

COPYRIGHT by BRIGGS & STRATTON CORPORATION
All rights reserved. No part of this material may be reproduced or transmitted, in any form or by any means, electronic or mechanical, including photocopying, recording or by any information storage and retrieval system, without permission in writing from Briggs & Stratton Corporation.

12V800

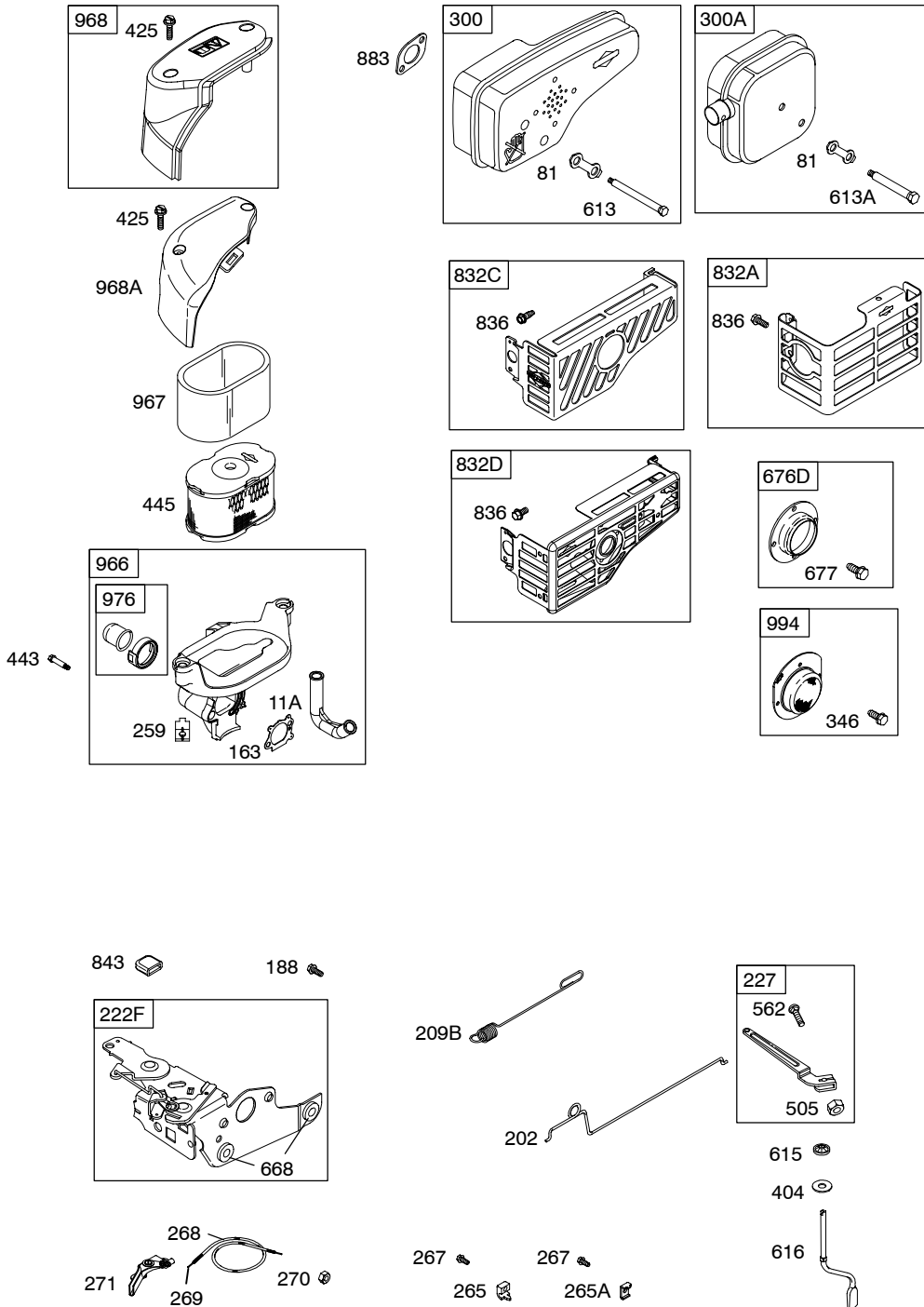


Illustrations cover a range of engines. Parts shown without corresponding text may not be used on your specific engine.
 0875-2 Assemblies include all parts shown in frames. 10/04/2005

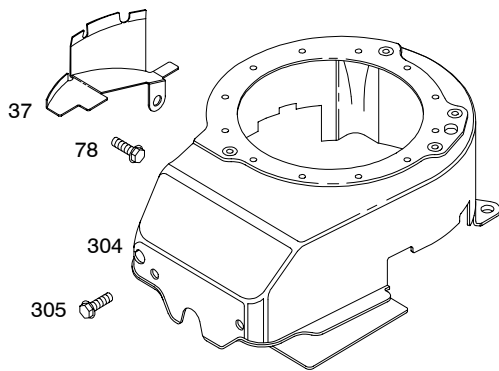
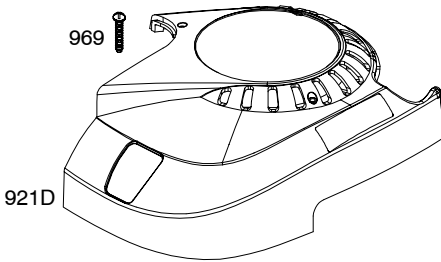
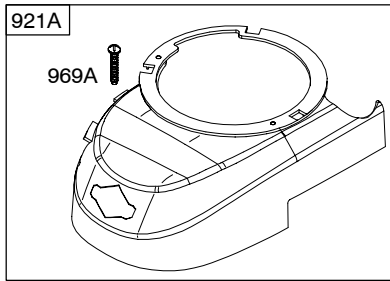
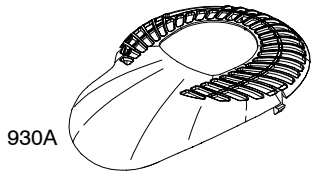


Illustrations cover a range of engines. Parts shown without corresponding text may not be used on your specific engine.
 0875-3 Assemblies include all parts shown in frames. 10/04/2005

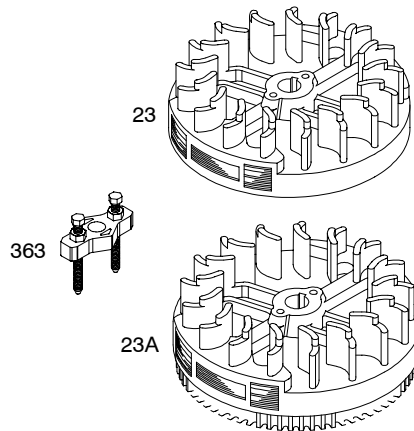
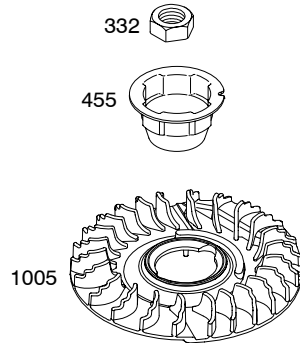
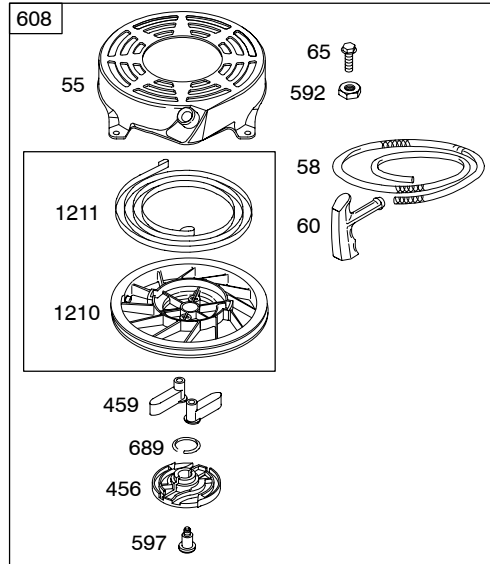
12V800



Illustrations cover a range of engines. Parts shown without corresponding text may not be used on your specific engine.
 0875-4 Assemblies include all parts shown in frames. 10/04/2005

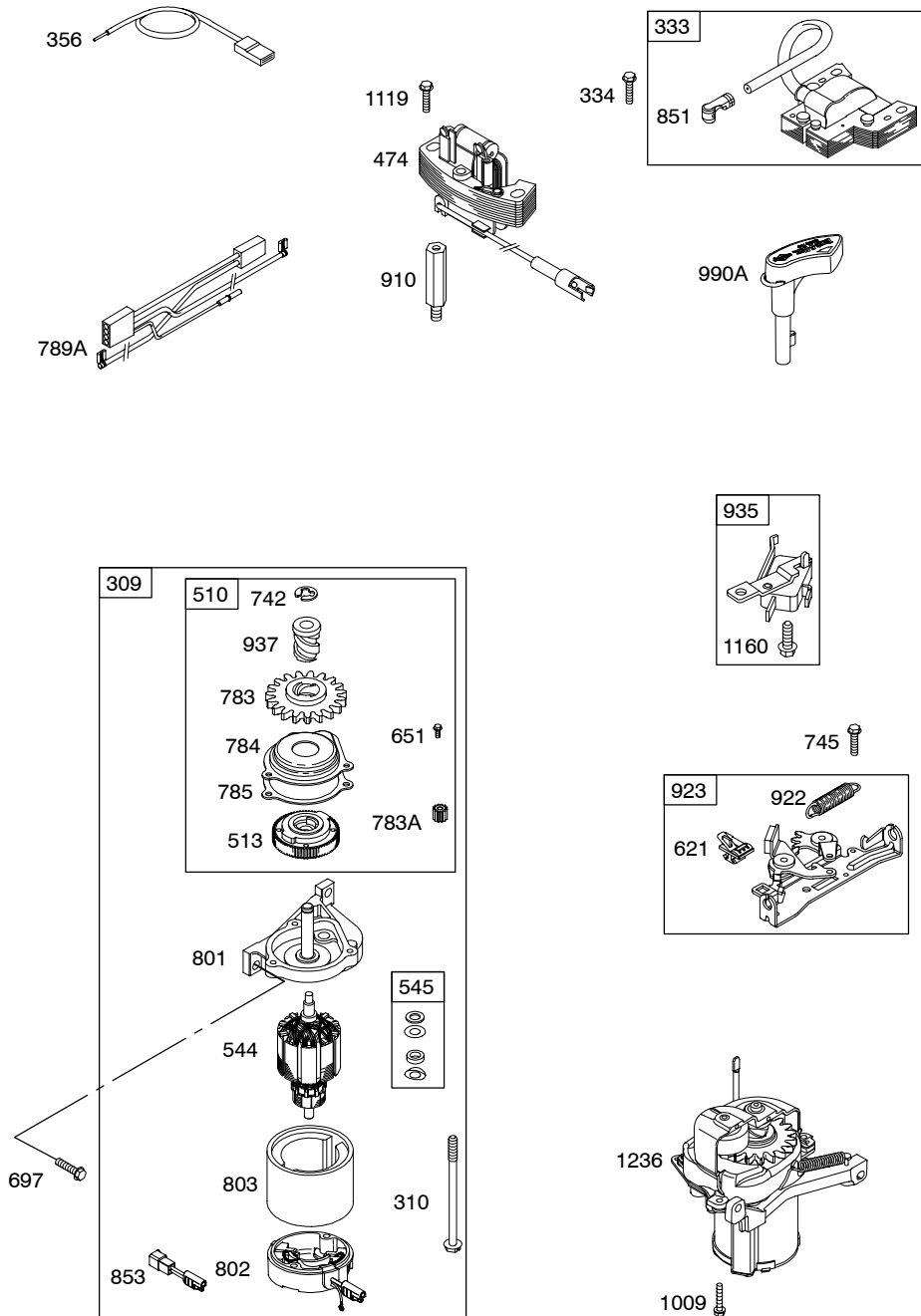


1036 EMISSION LABEL



Illustrations cover a range of engines. Parts shown without corresponding text may not be used on your specific engine.
 0875-5 Assemblies include all parts shown in frames. 10/04/2005

12V800



Illustrations cover a range of engines. Parts shown without corresponding text may not be used on your specific engine.
 0875-6 Assemblies include all parts shown in frames. 10/04/2005

REF. NO.	PART NO.	DESCRIPTION	REF. NO.	PART NO.	DESCRIPTION	REF. NO.	PART NO.	DESCRIPTION
1	697322	Cylinder Assembly	16	691451	Crankshaft (Used After Code Date 97011200).		691454	Crankshaft (Used After Code Date 97011200).
2	399269	Kit-Bushing/Seal (Magneto Side)			----- Note -----			Used on Type No(s). 0182.
3	*299819	Seal-Oil (Magneto Side)			694442 Crankshaft (Used Before Code Date 97011300).		692000	Crankshaft (Used Before Code Date 97011300).
4	493279	Sump-Engine ----- Note ----- 696294 Sump-Engine Used on Type No(s). 1783.			691452 Crankshaft (Used After Code Date 97011200). Used on Type No(s). 0630, 0631, 0666, 0668, 1085, 1766, 1767, 1777, 1778, 1779, 1780.			Used on Type No(s). 0182.
4A	493365	Sump-Engine (Auxiliary PTO)			694059 Crankshaft (Used Before Code Date 97011300). Used on Type No(s). 0630, 0631, 0666, 0668.		692994	Crankshaft (Used After Code Date 97011200).
5	691160	Head-Cylinder						Used on Type No(s). 0625, 1741, 3118.
7	*Ø692249	Gasket-Cylinder Head			691450 Crankshaft (Used After Code Date 97011200). Used on Type No(s). 0109, 0180, 0181, 0183, 0191, 1081, 1091.			498878 Crankshaft (Used Before Code Date 97011300). Used on Type No(s). 1741.
8	695250	Breather Assembly			694440 Crankshaft (Used Before Code Date 97011300). Used on Type No(s). 0109, 0180, 0181, 0183.			
9	*Ø272481	Gasket-Breather						
10	691125	Screw (Breather Assembly)						
11	691781	Tube-Breather						
11A	691934	Tube-Breather						
12	*692232	Gasket-Crankcase						
13	690912	Screw (Cylinder Head)						
15	691680	Plug-Oil Drain (Square Socket)						
15A	691093	Plug-Oil Drain (Hex Socket)						

★ Included in Engine Gasket Set-Ref. No.358.

● Included in Carburetor Overhaul Kit-Ref. No. 121.

◆ Included in Carburetor Gasket Set-Ref. No. 977.

Ø Included in Valve Gasket Set-Ref. No 1095.

Illustrations cover a range of engines. Parts shown without corresponding text may not be used on your specific engine.

12V800

REF. NO.	PART NO.	DESCRIPTION	REF. NO.	PART NO.	DESCRIPTION	REF. NO.	PART NO.	DESCRIPTION
20	★399781	Seal-Oil (PTO Side)	25	790359	Piston Assembly (Standard) (Used After Code Date 04031400).	26	790360	Ring Set (Standard) (Used After Code Date 04031400).
20A	★691952	Seal-Oil (PTO Side) (Auxiliary PTO)			----- Note -----			----- Note -----
22	691092	Screw (Crankcase Cover/Sump)		499429	Piston Assembly (Standard) (Used After Code Date 97011200 and Before Code Date 04031500).		499425	Ring Set (Standard) (Used After Code Date 97011200 and Before Code Date 04031500).
23	692315	Flywheel (Rewind Start)		493262	Piston Assembly (Standard) (Used Before Code Date 97011300).		493261	Ring Set (Standard) (Used Before Code Date 97011300).
23A	691987	Flywheel (Electric Start) ----- Note ----- 691992 Flywheel (Electric Start) Used on Type No(s). 0667, 0668, 1731, 1734, 1767. 696291 Flywheel Used on Type No(s). 1783.		499430	Piston Assembly (.010" Oversize) (Used After Code Date 97011200).		499426	Ring Set (.010" Oversize) (Used After Code Date 97011200).
24	222698	Key-Flywheel		493385	Piston Assembly (.010" Oversize) (Used Before Code Date 97011300).		493388	Ring Set (.010" Oversize) (Used Before Code Date 97011300).
				791326	Piston Assembly (.020" Oversize) (Used After Code Date 04102100).		791324	Ring Set (.020" Oversize) (Used After Code Date 04102100).
				499431	Piston Assembly (.020" Oversize) (Used After Code Date 97011200 and Before Code Date 04102200).		499427	Ring Set (.020" Oversize) (Used After Code Date 97011200 and Before Code Date 04102200).
				493386	Piston Assembly (.020" Oversize) (Used Before Code Date 97011300).		493389	Ring Set (.020" Oversize) (Used Before Code Date 97011300).
				499432	Piston Assembly (.030" Oversize) (Used After Code Date 97011200).	27	691866	Lock-Piston Pin (Used After Code Date 97011200).
				493387	Piston Assembly (.030" Oversize) (Used Before Code Date 97011300).			----- Note ----- 691588 Lock-Piston Pin (Used Before Code Date 97011300).

★ Included in Engine Gasket Set-Ref. No.358.

● Included in Carburetor Overhaul Kit-Ref. No. 121.

◆ Included in Carburetor Gasket Set-Ref. No. 977.

⊘ Included in Valve Gasket Set-Ref. No 1095.

Illustrations cover a range of engines. Parts shown without corresponding text may not be used on your specific engine.

REF. NO.	PART NO.	DESCRIPTION	REF. NO.	PART NO.	DESCRIPTION	REF. NO.	PART NO.	DESCRIPTION
28	499423	Pin-Piston (Standard) (Used After Code Date 97011200). ----- Note ----- 298909 Pin-Piston (Standard) (Used Before Code Date 97011300). 298908 Pin-Piston (.005" Oversize) (Used Before Code Date 97011300).	45	690548	Tappet-Valve	117	494870	Jet-Main (Standard) (Used After Code Date 02092900). ----- Note ----- 498975 Jet-Main (Standard) (Used After Code Date 96060200 and Before Code Date 02093000).
29	499424	Rod-Connecting (Standard) (Used After Code Date 97011200). ----- Note ----- 490566 Rod-Connecting (Standard) (Used Before Code Date 97011300). 490743 Rod-Connecting (.020" Undersize) (Used Before Code Date 97011300).	46	691449	Camshaft (Used After Code Date 96060200). ----- Note ----- 492830 Camshaft (Used Before Code Date 96060300).	118	497315	Jet-Main (High Altitude) (Used After Code Date 02092900). ----- Note ----- 497348 Jet-Main (High Altitude) (Used After Code Date 96060200 and Before Code Date 02093000).
32	691664	Screw (Connecting Rod)	46A	691459	Camshaft (Counterclockwise) (Used After Code Date 96060200). ----- Note ----- 493738 Camshaft (Counterclockwise) (Used Before Code Date 96060300).	121	498260	Kit-Carburetor Overhaul
32A	695759	Screw (Connecting Rod) (Used After Code Date 00042200).	50	497465	Manifold-Intake	125	698444	Carburetor (Used After Code Date 96060200). ----- Note ----- 498254 Carburetor (Used Before Code Date 96060300).
33	262651	Valve-Exhaust	51	★272199	Gasket-Intake	127	●694468	Plug-Welch
34	262652	Valve-Intake	54	691650	Screw (Intake Manifold)			
35	691270	Spring-Valve (Intake)	55	691421	Housing-Rewind Starter			
36	691270	Spring-Valve (Exhaust)	58	697316	Rope-Starter (Cut To Required Length)			
37	694086	Guard-Flywheel	60	281434	Grip-Starter Rope			
40	692194	Retainer-Valve	65	690837	Screw (Rewind Starter)			
43	691997	Slinger-Governor/Oil	78	691108	Screw (Flywheel Guard)			
			81	691740	Lock-Muffler Screw			
			83	691778	Shaft-Auxiliary Drive			
			95	691636	Screw (Throttle Valve)			
			97	493267	Shaft-Throttle (Metal) ----- Note ----- 696565 Shaft-Throttle (Plastic)			
			101	691623	Pin-Shaft			
			104	●691242	Pin-Float Hinge			

★ Included in Engine Gasket Set-Ref. No.358.

● Included in Carburetor Overhaul Kit-Ref. No. 121.

◆ Included in Carburetor Gasket Set-Ref. No. 977.

⊘ Included in Valve Gasket Set-Ref. No 1095.

Illustrations cover a range of engines. Parts shown without corresponding text may not be used on your specific engine.

12V800

REF. NO.	PART NO.	DESCRIPTION	REF. NO.	PART NO.	DESCRIPTION	REF. NO.	PART NO.	DESCRIPTION
130	691203	Valve-Throttle ----- Note ----- 696564 Valve-Throttle (Used With Plastic Throttle Shaft)	188	690877	Screw (Control Bracket)	270	691027	Nut (Control Wire Casing)
133	398187	Float-Carburetor	190	690940	Screw (Fuel Tank)	271	691028	Lever-Control
134	●398188	Kit-Needle/Seat	202	691829	Link-Mechanical Governor	276	●271716	Washer-Sealing
137	●693981	Gasket-Float Bowl	209B	699056	Spring-Governor ----- Note ----- 691851 Spring-Governor Used on Type No(s). 0180, 0181, 0183, 0191, 0668, 1081, 1091, 1092. 691292 Spring-Governor Used on Type No(s). 0182, 0630, 0631, 0666, 0667, 1085, 1731, 1733, 1766, 1767, 1777. 691852 Spring-Governor Used on Type No(s). 1734.	287	690940	Screw (Dipstick Tube)
146	690979	Key-Timing				300	692038	Muffler (Tuned)
163	●●272653	Gasket-Air Cleaner				300A	494343	Muffler (Square Lo Tone)
187	791766	Line-Fuel (Cut to Required Length) (Used After Code Date 05063000). ----- Note ----- 691050 Line-Fuel (Cut to Required Length) (Used Before Code Date 05070100).				304	493293	Housing-Blower ----- Note ----- 493294 Housing-Blower Used on Type No(s). 0181, 0183, 0191, 0667, 0668, 1092, 1731, 1734. 695892 Housing-Blower Used on Type No(s). 1787, 1788. 696298 Housing-Blower Used on Type No(s). 1783.
187A	791873	Line-Fuel (Molded) (Used After Code Date 05063000). ----- Note ----- 691371 Line-Fuel (Molded) (Used Before Code Date 05070100).	222F	691436	Bracket-Control (Remote/Manual Friction) (Compliance) ----- Note ----- 698163 Bracket-Control Used on Type No(s). 1738.	305	691108	Screw (Blower Housing)
187B	791891	Line-Fuel (Includes Filter) (Used After Code Date 05063000). ----- Note ----- 692042 Line-Fuel (Includes Filter) (Used Before Code Date 05070100).	227	690783	Lever-Governor Control	306	690450	Shield-Cylinder
187C	791875	Line-Fuel (Molded) (Used After Code Date 05063000). ----- Note ----- 696292 Line-Fuel (Molded) (Used Before Code Date 05070100).	240	298090	Filter-Fuel	307	690345	Screw (Cylinder Shield)
			259	691189	Bracket-Casing Clamp	309	695550	Motor-Starter
			265	690798	Clamp-Casing	310	692327	Bolt (Starter Motor)
			265A	691024	Clamp-Casing	332	690662	Nut (Flywheel)
			267	691044	Screw (Casing Clamp)	333	802574	Armature-Magneto
			268	691072	Casing-Control Wire (Cut To Required Length)	334	691061	Screw (Magneto Armature)
			269	691026	Wire-Control (Cut To Required Length)	337	802592	Plug-Spark
						346	690661	Screw (Spark Arrestor)
						356	692390	Wire-Stop
						358	497316	Gasket Set-Engine
						363	19069	Puller-Flywheel
						365	691688	Screw (Carburetor)

★ Included in Engine Gasket Set-Ref. No.358.

● Included in Carburetor Overhaul Kit-Ref. No. 121.

◆ Included in Carburetor Gasket Set-Ref. No. 977.

⊘ Included in Valve Gasket Set-Ref. No 1095.

Illustrations cover a range of engines. Parts shown without corresponding text may not be used on your specific engine.

REF. NO.	PART NO.	DESCRIPTION	REF. NO.	PART NO.	DESCRIPTION	REF. NO.	PART NO.	DESCRIPTION
383	89838	Wrench-Spark Plug	615	690340	Retainer-Governor Shaft	784	692341	Cover-Starter Gear
404	690272	Washer (Governor Crank)	616	698801	Crank-Governor	785	692352	Gasket-Starter Cover
425	691135	Screw (Air Cleaner Cover)	617	◆270344	Seal-O Ring (Intake Manifold)	789A	696547	Harness-Wiring (Used After Code Date 00040600).
443	690349	Screw (Air Cleaner Primer Base)	621	692310	Switch-Stop			----- Note -----
445	497725	Filter-Air Cleaner Cartridge	633	◆691321	Seal-Choke/Throttle Shaft (Throttle Shaft)			691372 Harness-Wiring (Used Before Code Date 00040700).
455	695161	Cup-Flywheel	635	66538	Boot-Spark Plug	801	690782	Cap-Drive
456	692299	Plate-Pawl Friction	651	691660	Screw (Starter Gear Cover)	802	695267	Cap-End (Used After Code Date 00040600).
459	281505	Pawl-Ratchet	668	★493823	Spacer (Includes 2)			----- Note -----
474	691991	Alternator	670	692294	Spacer-Fuel Tank			695975 Cap-End (Used Before Code Date 00040700).
505	691251	Nut (Governor Control Lever)	676D	497682	Deflector-Muffler (Side Out) (Extended)	803	695266	Housing-Starter (Used After Code Date 00040600).
510	494147	Drive-Starter	677	690661	Screw (Muffler Deflector)			----- Note -----
513	692358	Clutch-Drive	684	690345	Screw (Breather Passage Cover)			695975 Housing-Starter (Used Before Code Date 00040700).
523	495264	Dipstick	689	691855	Spring-Friction	832A	691424	Guard-Muffler (Square Lo Tone)
524	★692296	Seal-Dipstick Tube	697	691127	Screw (Drive Cap)	832C	691442	Guard-Muffler (Yardman Guard)
525	495265	Tube-Dipstick	715	691147	Screw (Stop Shaft)	832D	499034	Guard-Muffler (Used with Super Lo Tone Muffler Tuned)
544	690786	Armature-Starter	718	690959	Pin-Locking	836	690664	Screw (Muffler Guard)
545	492919	Washer Set (Starter Motor)	721	690449	Stop-Shaft	842	★691031	Seal-O Ring (Dipstick Tube)
562	92613	Bolt (Governor Control Lever)	741	790345	Gear-Timing (Use Without Woodruff Key)	843	691884	Lever-Sleeve (Speed Control)
584	697734	Cover-Breather Passage			----- Note -----	847	692017	Dipstick/Tube Assembly
585	★691879	Gasket-Breather Passage			691830 Gear-Timing (Uses Woodruff Key)	851	493880	Terminal-Spark Plug
592	690800	Nut (Rewind Starter)	742	93941	Retainer-E Ring	853	695268	Adapter-Wire
597	691696	Screw (Pawl Friction Plate)	743	691772	Gear-Drive	869	691155	Seat-Valve (Intake)
601	95162	Clamp-Hose (Green)	745	691648	Screw (Brake)			
601A	691038	Clamp-Hose (Black)	783	691918	Gear-Pinion (Starter) (19 Teeth)			
608	497680	Starter-Rewind	783A	691269	Gear-Pinion (12 Teeth)			
613	691340	Screw (Muffler)						
613A	691653	Screw (Muffler)						

★ Included in Engine Gasket Set-Ref. No.358.

● Included in Carburetor Overhaul Kit-Ref. No. 121.

◆ Included in Carburetor Gasket Set-Ref. No. 977.

⊘ Included in Valve Gasket Set-Ref. No 1095.

Illustrations cover a range of engines. Parts shown without corresponding text may not be used on your specific engine.

12V800

REF. NO.	PART NO.	DESCRIPTION	REF. NO.	PART NO.	DESCRIPTION	REF. NO.	PART NO.	DESCRIPTION
870	690380	Seat-Valve (Exhaust)	972B	699374	Tank-Fuel (Plastic)	1059	692311	Kit-Screw/Washer ----- Note -----
910	691094	Stud (Alternator)			----- Note -----			696293 Kitl-Screw/ Washer (Touch N Mow)
921A	695886	Cover-Blower Housing			699387 Tank-Fuel (Plastic)			Gasket Set-Valve
921D	691339	Cover-Blower Housing (XRS Style) (Use With 1.6 Quart Modular Tank)			Used on Type No(s). 1783.	1095	498528	Gasket Set-Valve
			975	493640	Bowl-Float	1119	691648	Screw (Alternator)
			976	694395	Primer-Carburetor	1160	691627	Screw (Interlock Switch)
957	397974	Cap-Fuel Tank (Plastic) (Standard)	977	498261	Gasket Set-Carburetor	1210	498144	Pulley/Spring Assembly (Pulley)
957A	498697	Cap-Fuel Tank (Plastic) (Radiused Edge)	990A	695951	Key Set (Touch N Mow)	1211	498144	Pulley/Spring Assembly (Spring)
966	691439	Base-Air Cleaner Primer	994	398067	Arrestor-Spark	1236	695959	Starter-Mechanical (Touch N Mow) (Do Not Service Individual Parts, Only As A Whole)
967	273185	Filter-Pre-Cleaner	1005	691346	Fan-Flywheel	1330	270962	Manual-Repair
968	498997	Cover-Air Cleaner	1009	696255	Screw (Starter Motor)			
968A	693198	Cover-Air Cleaner Used on Type No(s). 3118.	1019	494256	Kit-Label ----- Note -----			
969	690700	Screw (Blower Housing Cover)			790231 Kit-Label (Touch N Mow)			
969A	691138	Screw (Blower Housing Cover)	1036		Label-Emission (Available From An Authorized Briggs & Statton Sevice Dealer)			
			1058	276171	Manual-Owner's ----- Note -----			
					274940 Manual- Owner's (Touch N Mow)			

★ Included in Engine Gasket Set-Ref. No.358.

● Included in Carburetor Overhaul Kit-Ref. No. 121.

◆ Included in Carburetor Gasket Set-Ref. No. 977.

⊘ Included in Valve Gasket Set-Ref. No 1095.

Illustrations cover a range of engines. Parts shown without corresponding text may not be used on your specific engine.

0875-12

Assemblies include all parts shown in frames.

10/04/2005