

## 12S800 to 12S899

# Illustrated Parts List

## Model Series

### 12S800 to 12S899

#### TYPE NUMBERS

0657, 0810, 0812,  
0815, 0816, 0839,  
0844, 0846, 0852,  
0856, 0858, 0861,  
0864 through 0876,  
0884 through 0899,  
0900 through 0908,  
1111, 1116,  
1121 through 1128,  
1134 through 1141,  
1164, 1165, 1166,  
1168, 1521, 1566,  
1567.

#### TO FIND

#### THE CORRECT NUMBER OF THE PART YOU NEED: FOLLOW THE INSTRUCTIONS BELOW

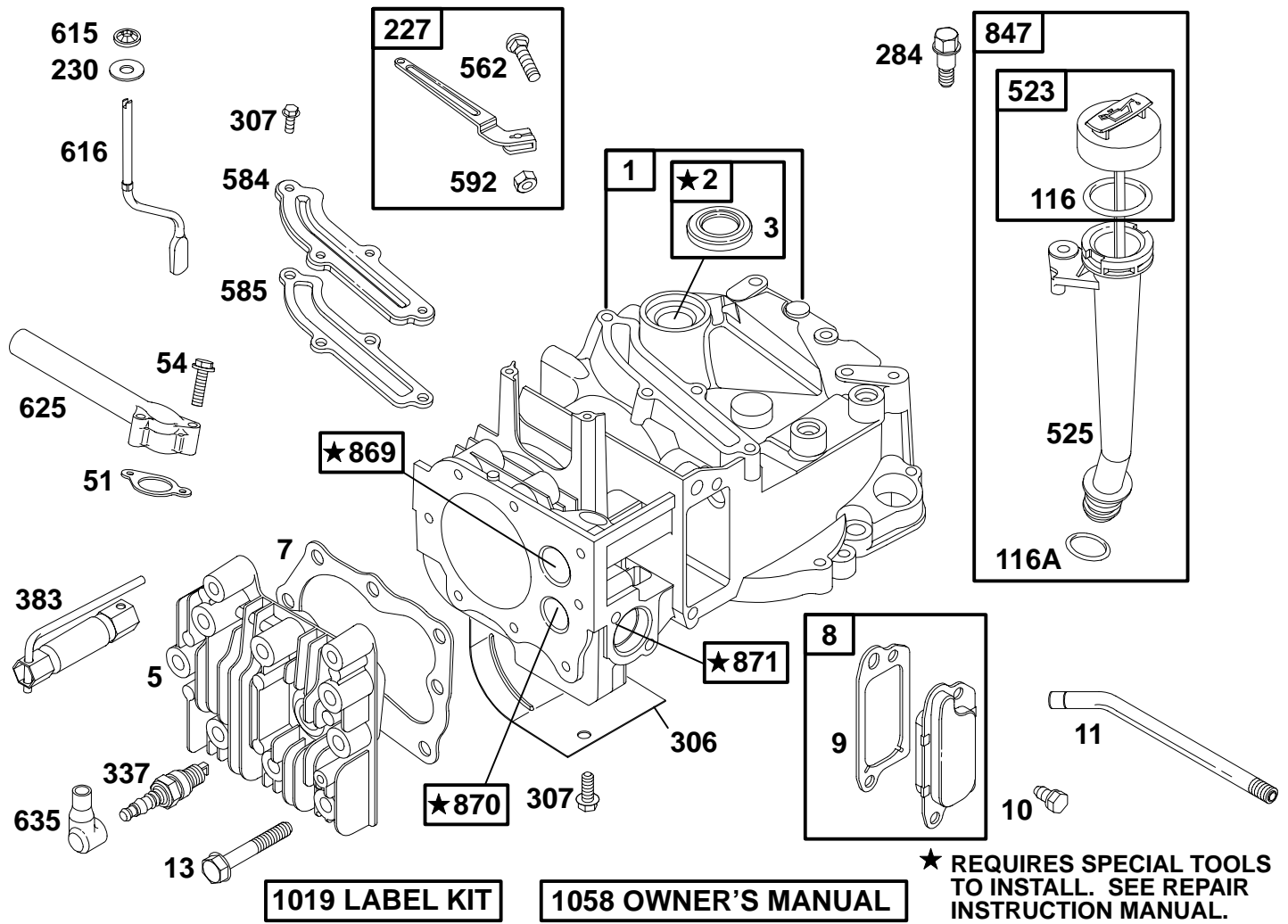
- A. Refer to Engine Model, Type and Code Number that is stamped on the blower housing of engine. Engine type numbers such as 0123 01 are listed only as 0123 in most instances. The two digits (01 or 02, etc.) to the right of the space may be required for more accurate parts identification in some instances. Select the Illustrated Parts List covering the correct Model Series and Type Number.
- B. Refer to the Illustrations and compare the original part with Illustration. The number next to the illustration is the Reference Number. Assemblies include all parts shown in frames. All parts shown in assembly frames having individual reference numbers can be purchased separately.
- C. After the Reference Number has been identified, refer to the Numerical text, where Reference and Primary Part Number are listed. **THE PRIMARY PART IS USED ON ALL TYPE NUMBERS EXCEPT THOSE TYPE NUMBERS UNDER "NOTE."**
- D. If a "Note" appears below the Primary Part Number, it means that this part differs from the Primary Part for certain types. If your Type number is listed under "Note," order the part referred to at the "Note."
- E. If your Engine Type Number does not appear after any part number listed under "Note," use the Primary Part Number.
- F. For Engine Type Numbers not covered by this book, check other Parts Lists having the same engine model or contact your source of supply.

PRINTED IN U.S. PRINTED IN U.S.A..A.



COPYRIGHT by BRIGGS & STRATTON CORPORATION  
All rights reserved. No part of this material may be reproduced or transmitted, in any form or by any means, electronic or mechanical, including photocopying, recording or by any information storage and retrieval system, without permission in writing from Briggs & Stratton Corporation.

# 12S800 to 12S899

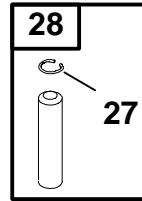
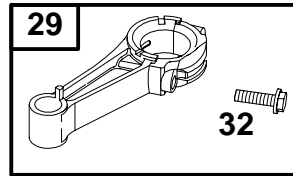
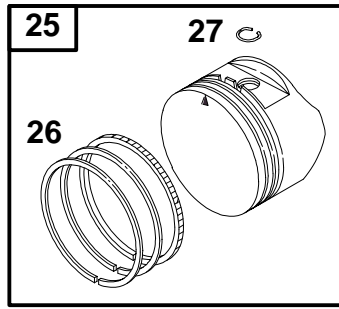


REF. NO.	PART NO.	DESCRIPTION	REF. NO.	PART NO.	DESCRIPTION	REF. NO.	PART NO.	DESCRIPTION
1	493260	Cylinder Assembly	284	94511	Screw—Shoulder	625	497465	Manifold—Intake
2	293708	Bushing	306	224324	Shield—Cylinder	635	66538	Boot—Spark Plug
3	★299819	Seal—Oil	307	94515	Screw—Hex.	847	495263	Dipstick/Tube Assembly
5	214626	Head—Cylinder	337	802592	Plug—Spark	869	213512	Seat—Valve (Intake)
		<b>Note</b>	383	89838	Wrench—Spark Plug	870	213513	Seat—Valve (Exhaust)
		214349 Head—Cylinder (Used Before Code Date 96060300).	523	495264	Dipstick	871	262001	Bushing—Guide (Exhaust Valve)
7	★Ø272916	Gasket—Cylinder Head	525	495265	Tube—Oil Fill			<b>Note</b>
8	495786	Breather Assembly	562	92613	Bolt—Gov. Lever			63709 Bushing—Guide (Intake Valve)
9	★Ø272481	Gasket—Breather	584	224328	Cover—Breather Passage	1019	494256	Label Kit
10	94650	Screw—Hex.	585	★272238	Gasket—Breather	1058	272262	Owner's Manual
11	231933	Tube—Breather	592	231082	Nut—Hex.			
13	94547	Screw—Hex.	615	94474	Retainer			
51	★272199	Gasket—Intake	616	263175	Crank—Governor			
54	94526	Screw—Hex.			<b>Note</b>			
116	★280393	Seal—O Ring			262578 Crank—Governor (Used Before Code Date 96090200).			
116A	★280966	Seal—O Ring						
227	492349	Lever—Governor						
230	67072	Washer						

★ Included in Gasket Set—Part Number 497316.  
 ● Included in Carburetor Kit—See Ref. 121.

◆ Included in Carburetor Gasket Set—See Ref. 977.  
 Ø Included in Valve Overhaul Gasket Set—Part No. 498528.

**12S800 to 12S899**

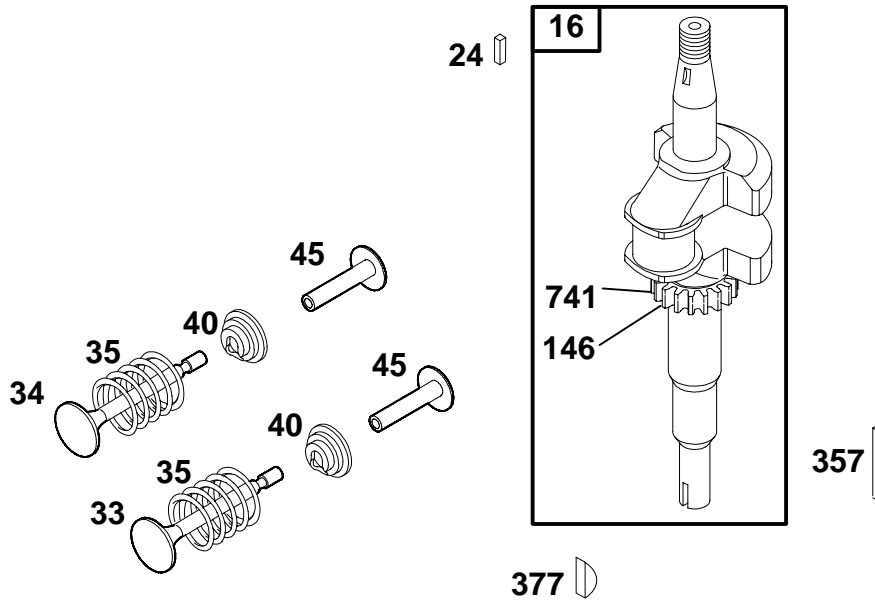


REF. NO.	PART NO.	DESCRIPTION	REF. NO.	PART NO.	DESCRIPTION	REF. NO.	PART NO.	DESCRIPTION
25	499429	Piston Assembly (Standard) <b>Note</b> ——— 493262 Piston Assy. (Standard) (Used Before Code Date 97011300). 493385 Piston Assy. (.010" O.S.) (Used Before Code Date 97011300). 493386 Piston Assy. (.020" O.S.) (Used Before Code Date 97011300). 493387 Piston Assy. (.030" O.S.) (Used Before Code Date 97011300).	26	499425	Ring Set (Standard) <b>Note</b> ——— 493261 Ring Set (Standard) (Used Before Code Date 97011300). 493388 Ring Set (.010" O.S.) (Used Before Code Date 97011300). 493389 Ring Set (.020" O.S.) (Used Before Code Date 97011300). 493390 Ring Set (.030" O.S.) (Used Before Code Date 97011300).	28	499423	Pin-Piston (Standard) <b>Note</b> ——— 298909 Pin-Piston (Standard) (Used Before Code Date 97011300). 298908 Pin-Piston (.005" O.S.) (Used Before Code Date 97011300).
			27	263190	Lock-Piston Pin <b>Note</b> ——— 26026 Lock-Piston Pin (Used Before Code Date 97011300).	29	499424	Rod-Connecting (Standard) <b>Note</b> ——— 490566 Rod-Connecting (Standard) (Used Before Code Date 97011300). 490743 Rod-Connecting (.020" Undersize) (Used Before Code Date 97011300).
						32	94699	Screw-Hex.

★ Included in Gasket Set-Part Number 497316.  
● Included in Carburetor Kit-See Ref. 121.

◆ Included in Carburetor Gasket Set-See Ref. 977.  
⊘ Included in Valve Overhaul Gasket Set-Part No. 498528.

# 12S800 to 12S899



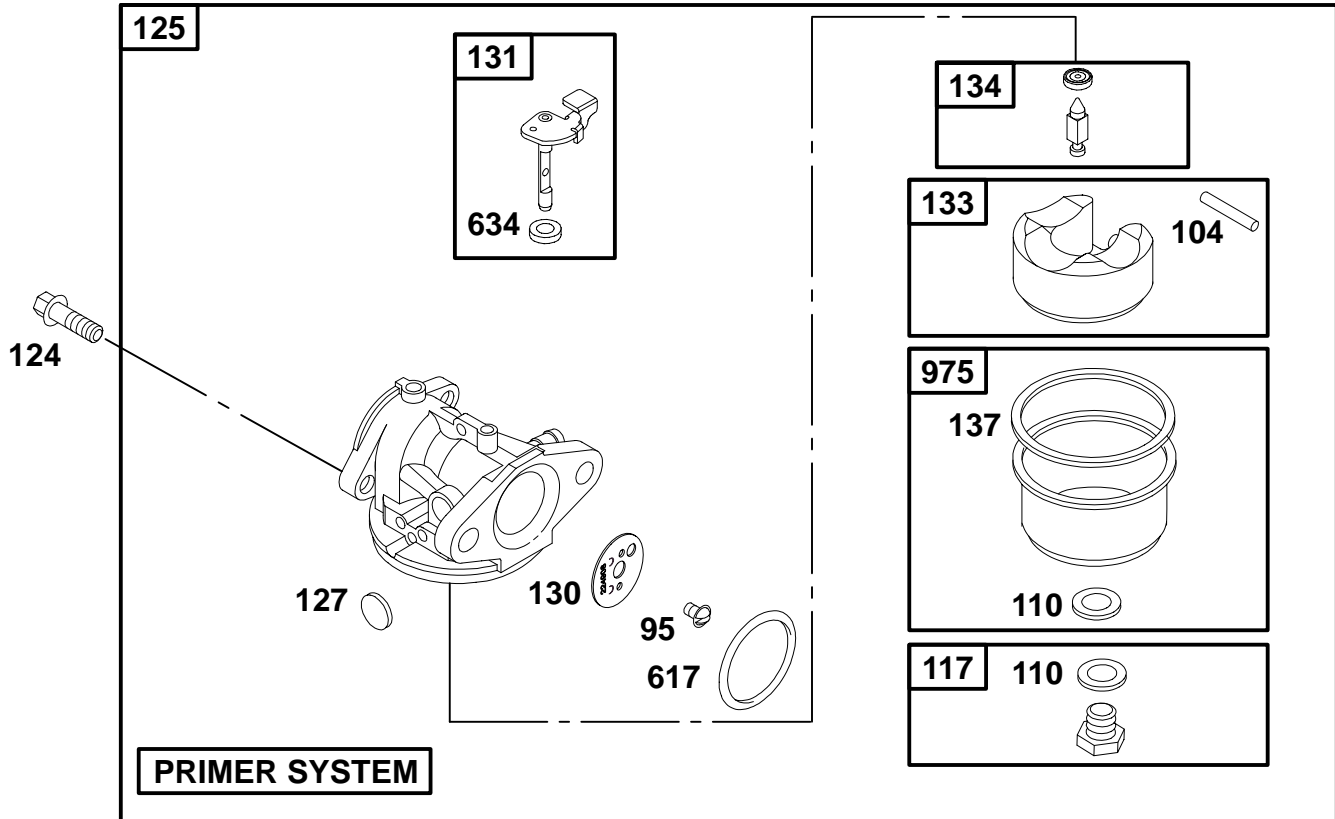
REF. NO.	PART NO.	DESCRIPTION	REF. NO.	PART NO.	DESCRIPTION	REF. NO.	PART NO.	DESCRIPTION
16	498566	Crankshaft (Used After Code Date 97011200). <b>Note</b> 493363 Crankshaft (Used Before Code Date 97011300). 498562 Crankshaft (Used After Code Date 97011200). Used on Type No(s). 0889, 0894, 0897, 0900, 1127, 1128, 1168. 493282 Crankshaft (Used Before Code Date 97011300). Used on Type No(s). 0889, 0894, 0897, 0900, 1127, 1128, 1168.		498565	Crankshaft (Used After Code Date 97011200). Used on Type No(s). 0657, 0815, 0856, 0865, 0867, 0870, 0871, 0875, 0876, 0892, 0893, 0895, 0899, 0904, 0905, 0906, 0907, 0908, 1123, 1124, 1165. 493362 Crankshaft (Used Before Code Date 97011300). Used on Type No(s). 0657, 0815, 0856, 0865, 0867, 0870, 0871, 0875, 0876, 0892, 0893, 0895, 0899, 0904, 0905, 0906, 0907, 0908, 1123, 1124, 1165.		498569	Crankshaft (Used After Code Date 97011200). Used on Type No(s). 0858, 0864, 1121, 1134, 1164, 1521. 493946 Crankshaft (Used Before Code Date 97011300). Used on Type No(s). 0858, 0864, 1121, 1134, 1164, 1521.
						24	222698	Key-Flywheel
						33	262651	Valve-Exhaust
						34	262652	Valve-Intake
						35	262224	Spring-Valve
						40	93312	Retainer-Valve
						45	262204	Tappet-Valve
						146	94388	Key-Timing
						357	91539	Key-Drive Pulley
						377	94329	Key-Drive Pulley
						741	262598	Gear-Timing

★ Included in Gasket Set-Part Number 497316.  
● Included in Carburetor Kit-See Ref. 121.

◆ Included in Carburetor Gasket Set-See Ref. 977.  
⊘ Included in Valve Overhaul Gasket Set-Part No. 498528.



# 12S800 to 12S899

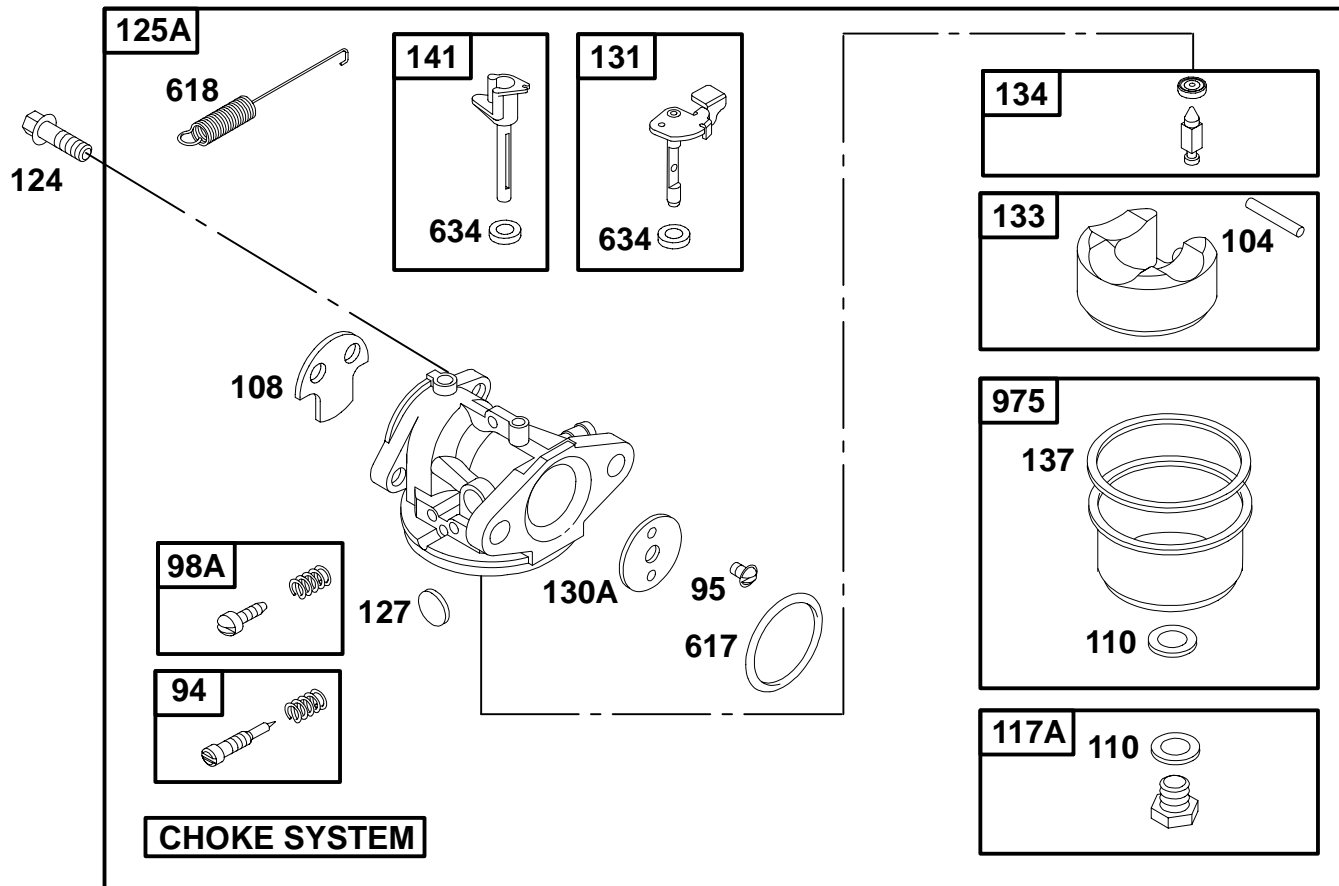


REF. NO.	PART NO.	DESCRIPTION	REF. NO.	PART NO.	DESCRIPTION	REF. NO.	PART NO.	DESCRIPTION
95	94098	Screw—Slotted		497348	Jet—Main (High Altitude) (Used Before Code Date 95103000).	131	493267	Shaft—Throttle
104	●231371	Pin—Float Hinge				133	398187	Float—Carburetor
110	◆	Seal—O-Ring (Sold in Kit Only)				134	●398188	Valve—Needle
117	497466	Jet—Main (Standard) 496495 Jet—Main (High Altitude) <b>Note</b> 497168 Jet—Main (Standard) (Used Before Code Date 95103000).	124	94525	Screw—Hex.	137	◆	Gasket—Float Bowl (Sold in Kit Only)
			125	498254	Carburetor <b>Note</b> 497314 Carburetor (Used Before Code Date 95103000).	617	◆270344	Seal—Intake Manifold
						634	◆	Washer—Foam (Sold in Kit Only)
			127	●	Plug—Welch (Sold in Kit Only)	975	493640	Bowl—Float
			130	224908	Valve—Throttle			

★ Included in Gasket Set—Part Number 497316.  
● Included in Carburetor Kit—See Ref. 121.

◆ Included in Carburetor Gasket Set—See Ref. 977.  
⊘ Included in Valve Overhaul Gasket Set—Part No. 498528.

**12S800 to 12S899**

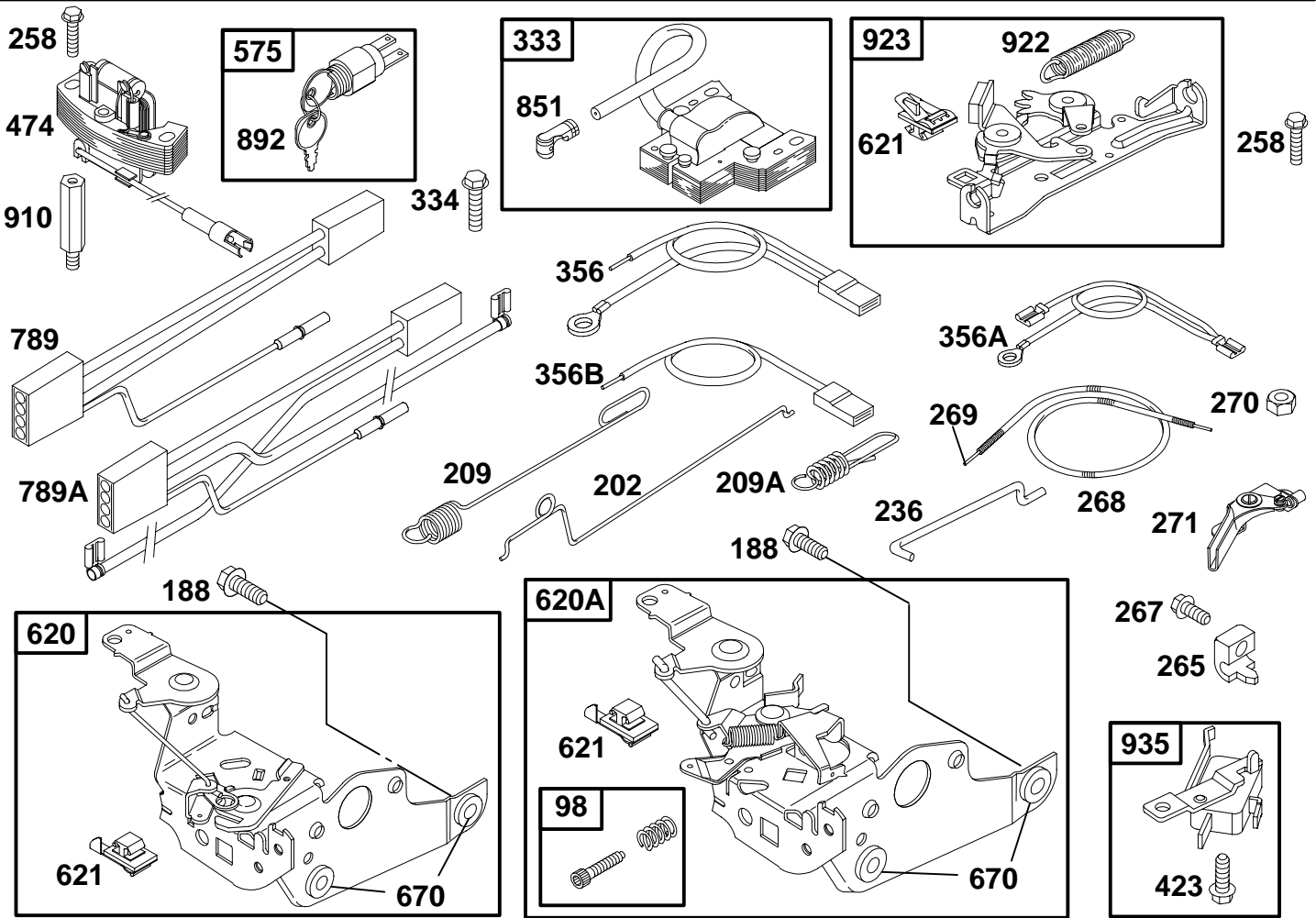


REF. NO.	PART NO.	DESCRIPTION	REF. NO.	PART NO.	DESCRIPTION	REF. NO.	PART NO.	DESCRIPTION
94	●493765	Valve-Idle Adjustment	124	94525	Screw-Hex.	141	494218	Shaft-Choke
95	94098	Screw-Slotted	125A	494216	Carburetor	617	◆◆270344	Seal-Intake Manifold
98A	398185	Screw-Idle Speed	127	●	Plug-Welch (Sold in Kit Only)	618	262749	Spring
104	●231371	Pin-Float Hinge	130A	223470	Valve-Throttle	634	◆◆	Washer (Sold in Kit Only)
108	223471	Valve-Choke	131	493267	Shaft-Throttle	975	493640	Bowl-Float
110	◆◆	Seal-O-Ring (Sold in Kit Only)	133	398187	Float-Carburetor			
117A	493637	Jet-Main (Standard)	134	◆398188	Valve-Needle			
		————— <b>Note</b> —————	137	◆◆	Gasket-Bowl (Sold in Kit Only)			
		496063 Jet-Main (High Altitude)						

★ Included in Gasket Set-Part Number 497316.  
● Included in Carburetor Kit-See Ref. 121.

◆ Included in Carburetor Gasket Set-See Ref. 977.  
⊘ Included in Valve Overhaul Gasket Set-Part No. 498528.

# 12S800 to 12S899



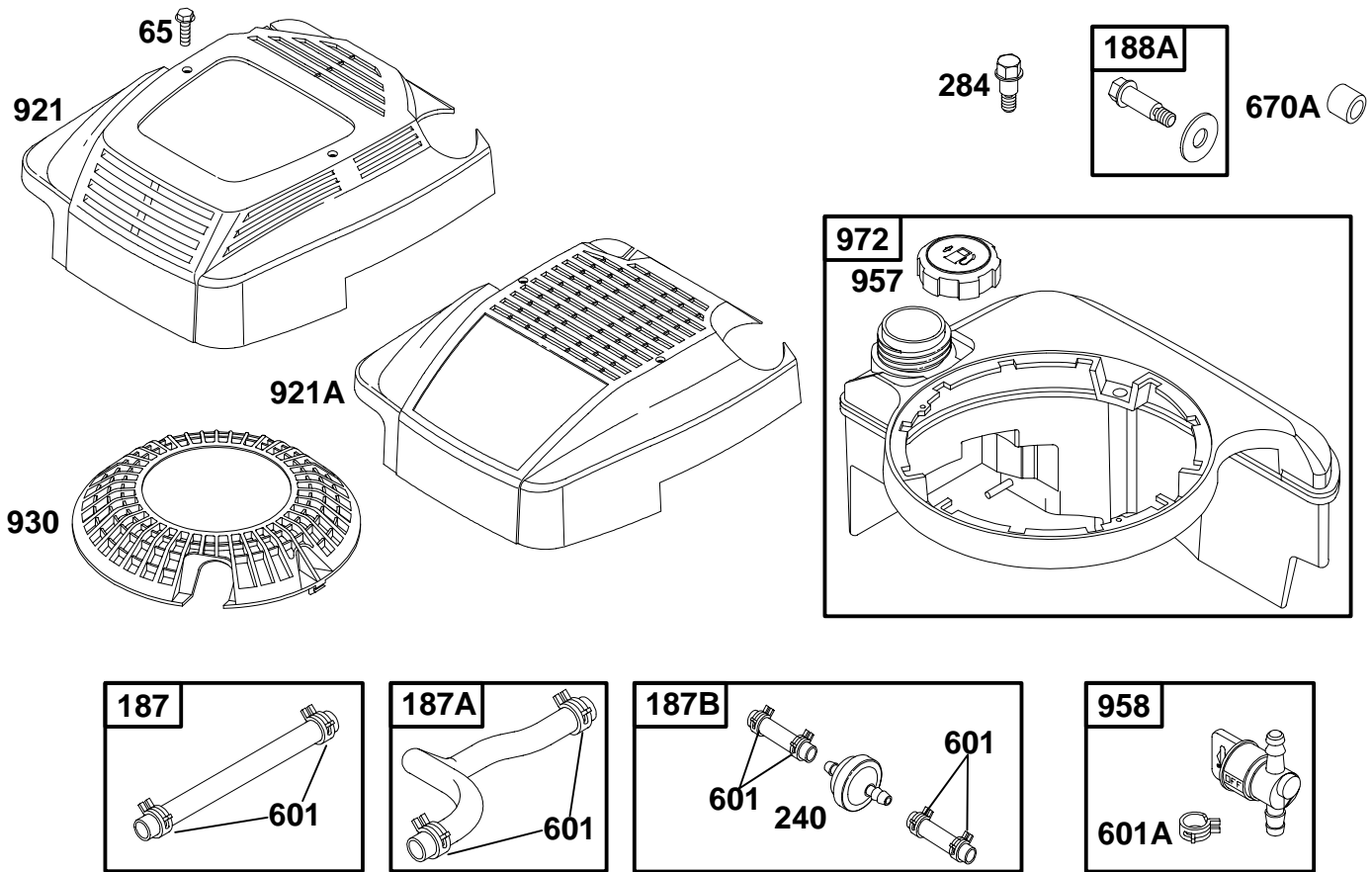
REF. NO.	PART NO.	DESCRIPTION	REF. NO.	PART NO.	DESCRIPTION	REF. NO.	PART NO.	DESCRIPTION
98	493280	Screw—Idle Speed	269	26099	Wire—Control (54" Long) (Cut To Required Length)	670	★493823	Spacer (Includes 2)
188	94644	Screw—Hex.	270	63426	Locknut—Casing	789	493379	Harness—Wiring (Used on Engines Without Band Brake)
202	262579	Link—Mechanical Governor	271	290568	Lever—Control	789A	493380	Harness—Wiring (Used on Engines With Band Brake)
209	263046	Spring—Governor	333	802574	Armature—Magneto	851	493880	Terminal—Cable
209A	262666	Spring—Governor	334	94731	Screw—Hex.	892	392832	Key Set—Starter Switch
		<b>Note</b>	356	398808	Wire—Stop	910	94510	Stud—Stator Mounting
		262654 Spring—Gov. Used on Type No(s) 0844.	356A	398708	Wire—Stop	922	262640	Spring—Brake
		262656 Spring—Gov. Used on Type No(s) 0839.	356B	497833	Wire—Stop	923	493442	Brake
236	262461	Link—Lock Out	423	93758	Screw—Hex.	935	398758	Switch—Interlock
258	94512	Screw—Hex.	474	492841	Alternator			
265	213146	Clamp—Casing	575	396291	Key—Switch			
267	94694	Screw—Slotted Hex.	620	497203	Bracket—Control			
268	66986	Casing—Wire (48" Long) (Cut To Required Length)	620A	495975	Bracket—Control			
					<b>Used with Primer Type Carburetors</b>			
					<b>Used with Choke Type Carburetors</b>			
			621	396847	Switch—Stop			

★ Included in Gasket Set—Part Number 497316.  
 ● Included in Carburetor Kit—See Ref. 121.

◆ Included in Carburetor Gasket Set—See Ref. 977.  
 ∅ Included in Valve Overhaul Gasket Set—Part No. 498528.



**12S800 to 12S899**

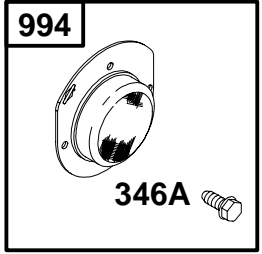
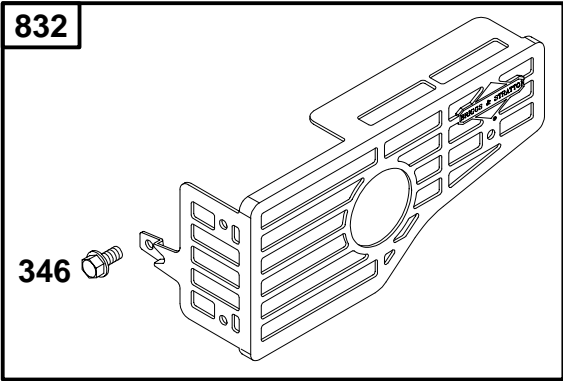
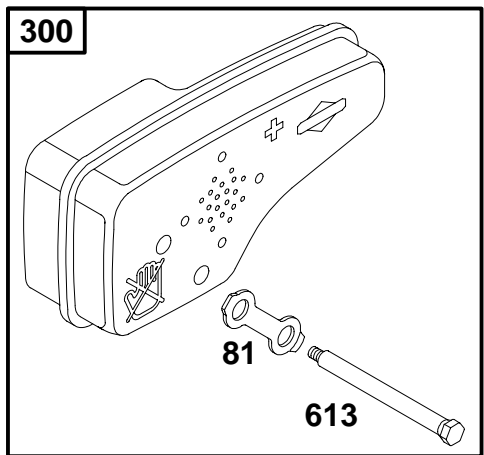
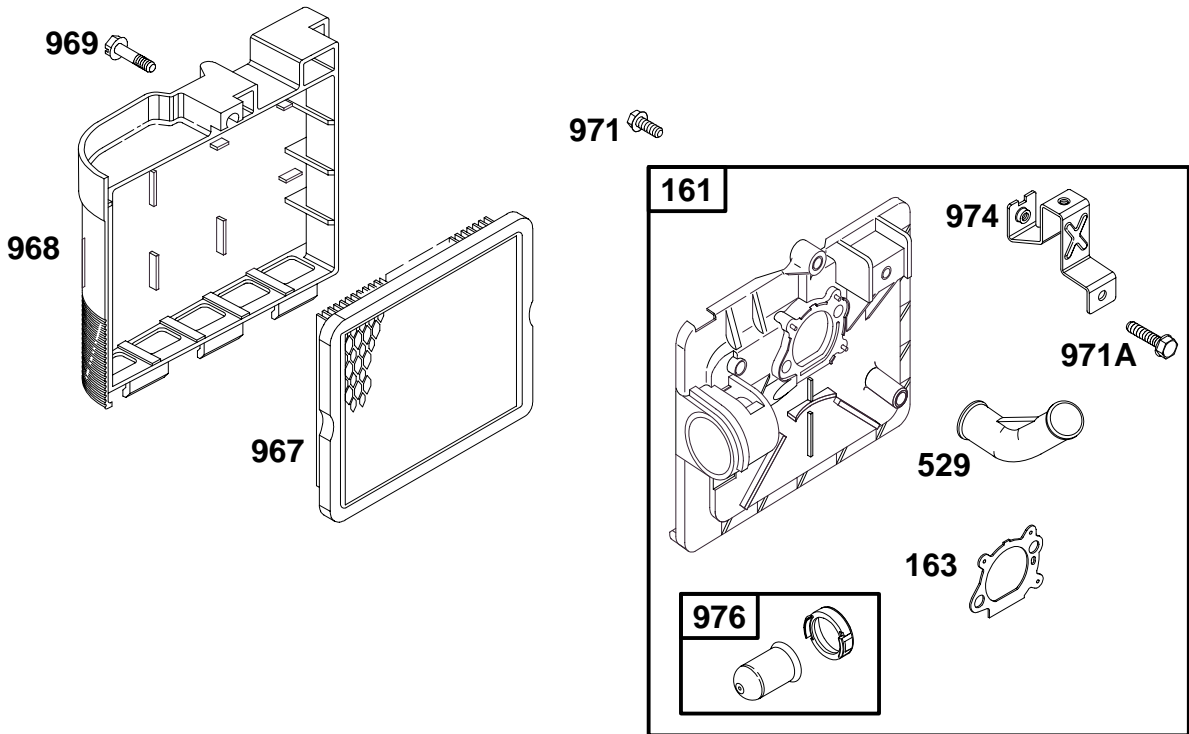


REF. NO.	PART NO.	DESCRIPTION	REF. NO.	PART NO.	DESCRIPTION	REF. NO.	PART NO.	DESCRIPTION
65	94696	Screw-Phillips	601	93053	Clamp-Fuel Line (Green)	930	281136	Guard-Rewind
187	492790	Line-Fuel						<b>Note</b>
187A	492791	Line-Fuel (Molded)	601A	93807	Clamp-Fuel Line (Black)			281187 Guard-Rewind (Red)
187B	498171	Line-Fuel	670A	280512	Spacer-Fuel Tank	957	397974	Cap-Fuel Tank (Plastic)
188A	398540	Screw-Shoulder	921	497233	Cover-Blower Housing	958	494768	Valve-Shut-Off
240	298090	Filter-Fuel	921A	281440	Cover-Blower Housing (Black)	972	495224	Tank-Fuel (Black, 1.6 Quart)
284	94511	Screw-Shoulder						

★ Included in Gasket Set-Part Number 497316.  
 ● Included in Carburetor Kit-See Ref. 121.

◆ Included in Carburetor Gasket Set-See Ref. 977.  
 ∅ Included in Valve Overhaul Gasket Set-Part No. 498528.

# 12S800 to 12S899

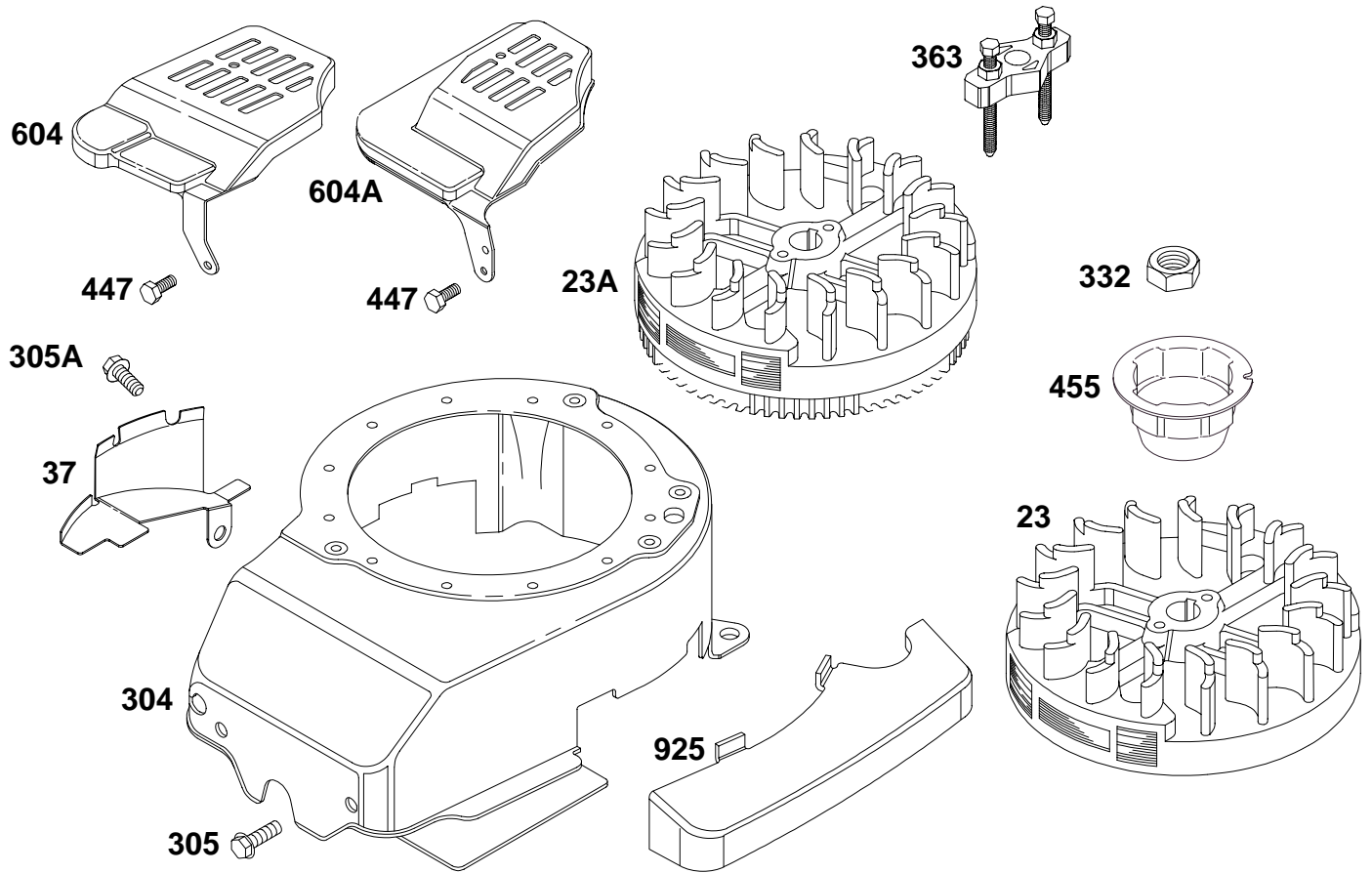


REF. NO.	PART NO.	DESCRIPTION	REF. NO.	PART NO.	DESCRIPTION	REF. NO.	PART NO.	DESCRIPTION
81	223664	Lock-Muffler Screw	346A	93705	Screw-Hex.	971	94121	Screw-Hex.
161	496116	Base-Air Cleaner	613	94231	Screw-Shoulder	971A	94749	Screw-Hex.
163	★◆272653	Gasket-Air Cleaner	832	499034	Guard-Muffler	974	224815	Bracket-Support
529	281299	Grommet	967	491588	Filter-Air	976	496115	Primer-Carburetor
300	496106	Muffler-Exhaust	968	281340	Cover-Air Cleaner	994	398067	Arrester-Spark
346	94602	Screw-Hex.	969	94120	Screw-Slotted Hex.			

★ Included in Gasket Set-Part Number 497316.  
 ● Included in Carburetor Kit-See Ref. 121.

◆ Included in Carburetor Gasket Set-See Ref. 977.  
 ∅ Included in Valve Overhaul Gasket Set-Part No. 498528.

**12S800 to 12S899**

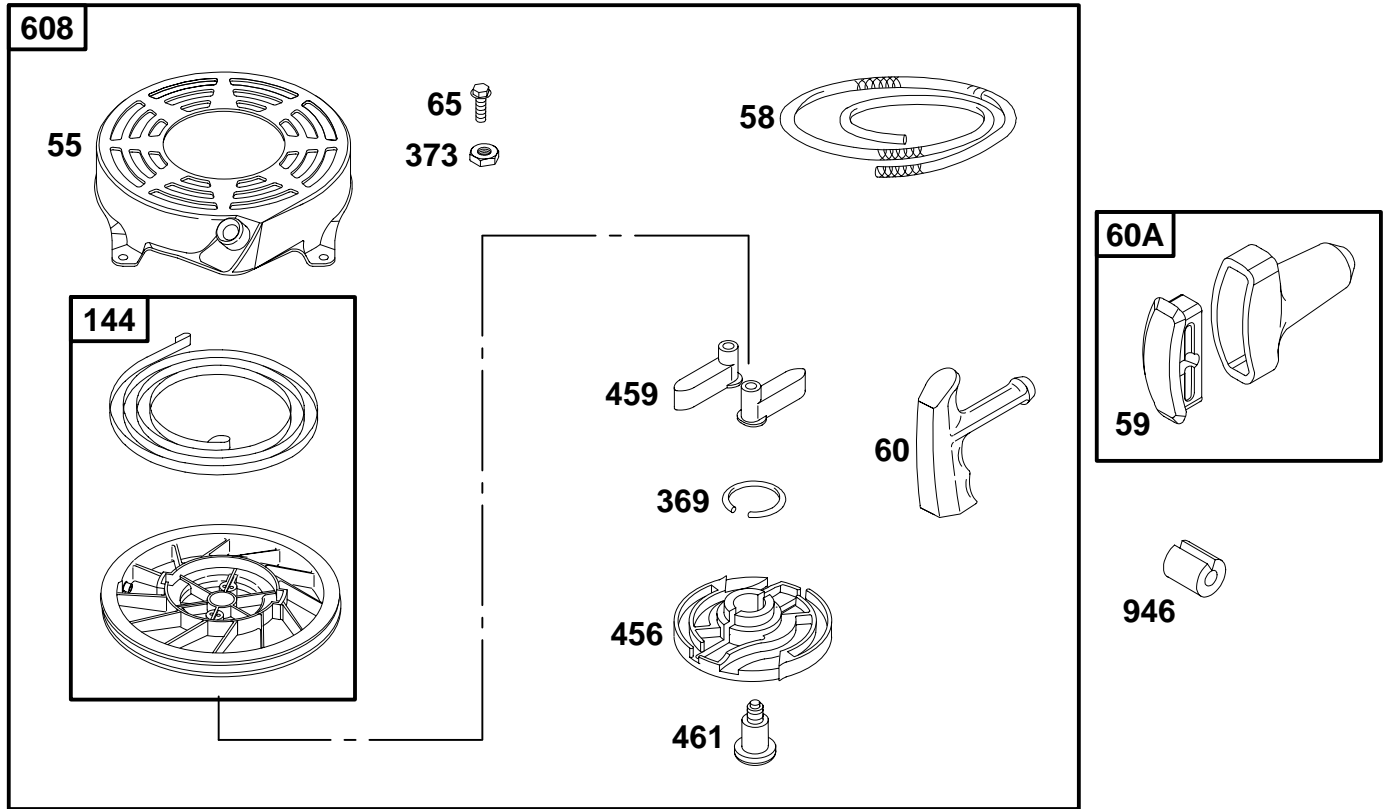


REF. NO.	PART NO.	DESCRIPTION	REF. NO.	PART NO.	DESCRIPTION	REF. NO.	PART NO.	DESCRIPTION
23	492177	Flywheel	304	493294	Housing-Blower (Used on Compliance Engines )	305A	94786	Screw-Hex.
23A	492175	Flywheel			<b>Note</b>	332	92284	Nut-Flywheel
		<b>Note</b>			493293			Flywheel Puller
		492893 Flywheel			Housing-Blower	447	93801	Screw-Hex.
		Used on Type No(s).			(Used on Non Compliance Engines)	455	225121	Cup-Flywheel
		0839, 0844, 0846,				604	224509	Cover-Control
		0861, 0886, 0908,				604A	225103	Cover-Control
		1141.				925	281145	Cover-Linkage
37	224511	Guard-Flywheel	305	94744	Screw-Hex.			

★ Included in Gasket Set-Part Number 497316.  
● Included in Carburetor Kit-See Ref. 121.

◆ Included in Carburetor Gasket Set-See Ref. 977.  
∅ Included in Valve Overhaul Gasket Set-Part No. 498528.

# 12S800 to 12S899

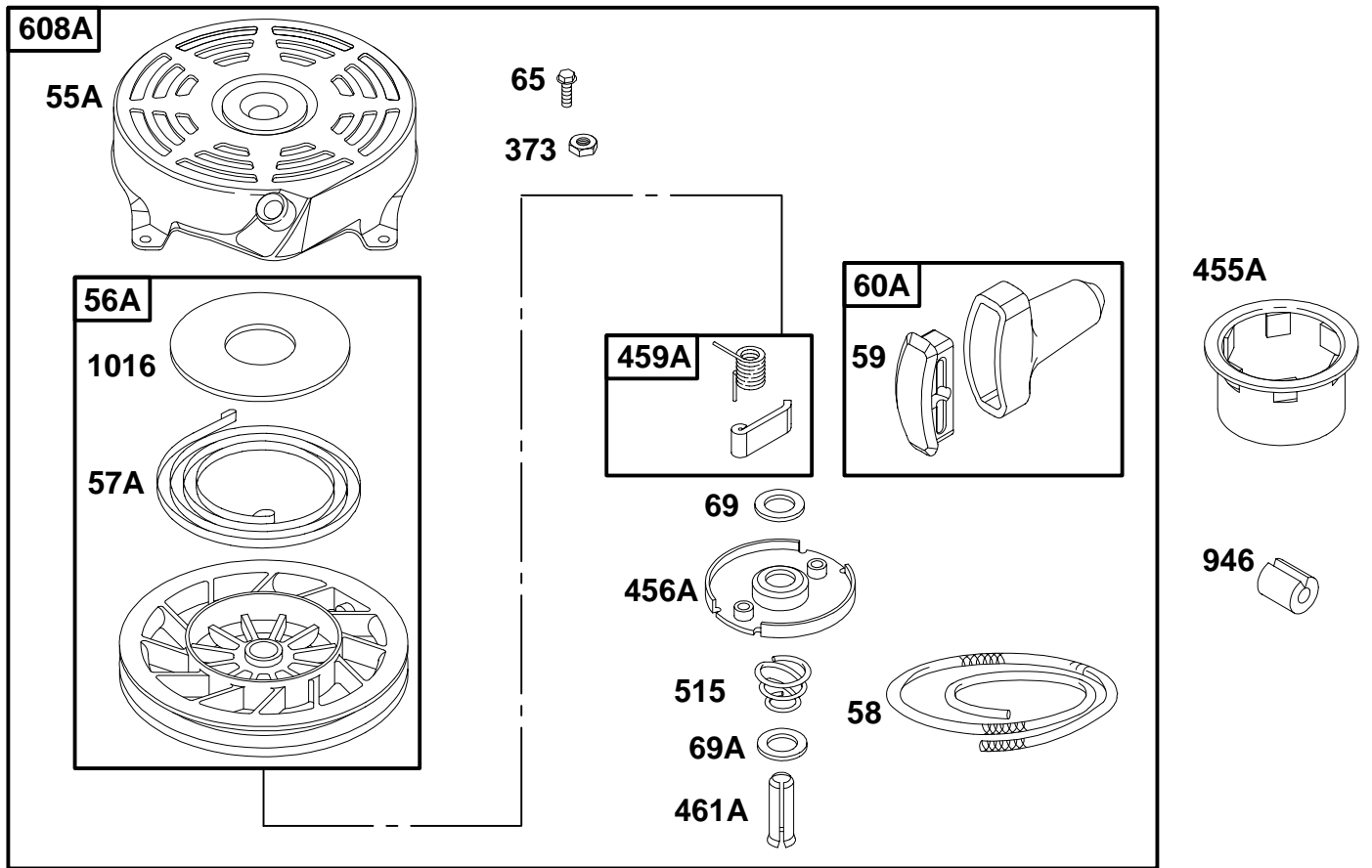


REF. NO.	PART NO.	DESCRIPTION	REF. NO.	PART NO.	DESCRIPTION	REF. NO.	PART NO.	DESCRIPTION
55	497440	Housing-Rewind Starter	60	281434	Grip-Starter Rope	456	281503	Plate-Pawl Friction
58	280399	Rope-Starter (Cut To Required Length)	60A	393152	Grip-Starter Rope	459	281505	Pawl-Ratchet
59	396892	Insert-Grip	65	94686	Screw-Hex.	461	94943	Screw-Shoulder
			144	498144	Pulley-Rope Start	608	497680	Starter-Rewind
			369	263073	Spring-Friction	946	223294	Stop-Rope
			373	92987	Nut-Hex.			

★ Included in Gasket Set-Part Number 497316.  
 ● Included in Carburetor Kit-See Ref. 121.

◆ Included in Carburetor Gasket Set-See Ref. 977.  
 ∅ Included in Valve Overhaul Gasket Set-Part No. 498528.

**12S800 to 12S899**

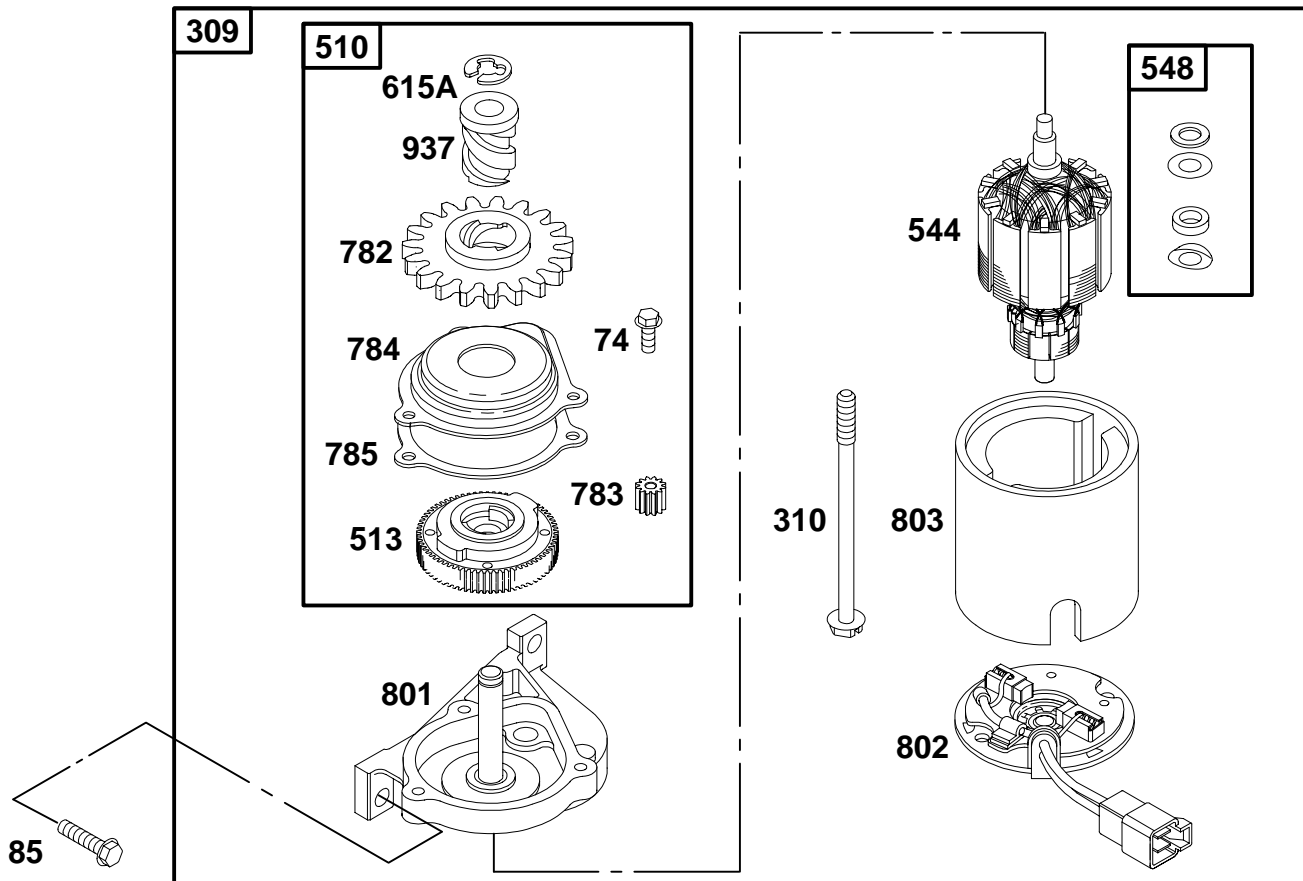


REF. NO.	PART NO.	DESCRIPTION	REF. NO.	PART NO.	DESCRIPTION	REF. NO.	PART NO.	DESCRIPTION
55A	492831	Housing-Rewind Starter	60A	393152	Grip-Starter Rope	461A	262626	Pin-Shaft
56A	493824	Pulley-Starter	65	94686	Screw-Hex.	515	262625	Spring-Friction
57A	262594	Spring-Rewind Starter	69	280973	Washer-Seal	608A	497598	Starter-Rewind
58	280399	Rope-Starter (Cut To Required Length)	69A	224322	Washer			<b>Include(s):</b> 225121 Cup-Flywheel
59	396892	Insert-Grip	373	92987	Nut-Hex.	946	223294	Stop-Rope
			455A	224250	Cup-Flywheel	1016	224278	Spacer-Rewind
			456A	224321	Plate-Pawl Friction			
			459A	492833	Spring-Pawl			

★ Included in Gasket Set-Part Number 497316.  
● Included in Carburetor Kit-See Ref. 121.

◆ Included in Carburetor Gasket Set-See Ref. 977.  
⊘ Included in Valve Overhaul Gasket Set-Part No. 498528.

# 12S800 to 12S899



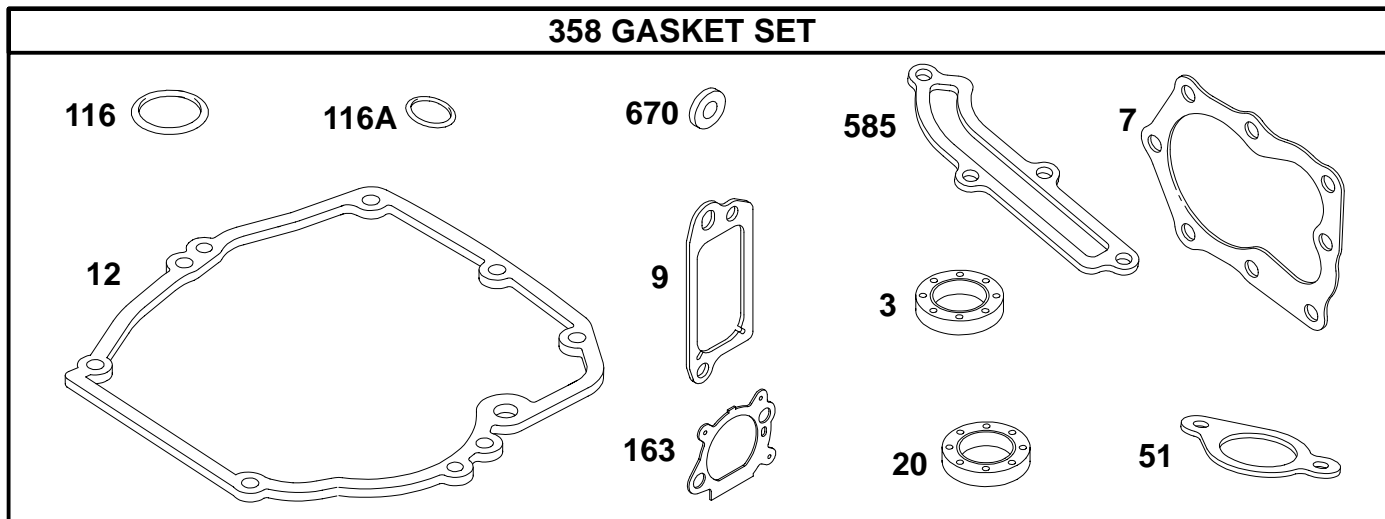
REF. NO.	PART NO.	DESCRIPTION	REF. NO.	PART NO.	DESCRIPTION	REF. NO.	PART NO.	DESCRIPTION
74	93490	Screw-Hex.	544	492921	Armature-Starter	785	272201	Gasket-Cover
85	94974	Screw-Hex.	548	492919	Washer Set	801	492335	Cap-Drive
309	494233	Motor-Starter	615A	93941	Retainer	802	492922	Cap-End
310	94051	Screw-Slotted Hex.	782	281127	Gear-Starter	803	492920	Housing-Starter
510	494147	Drive-Starter	783	261606	Gear-Starter	937	281125	Spline-Starter
513	394815	Clutch-Drive	784	224262	Cover-Gear			

★ Included in Gasket Set-Part Number 497316.  
● Included in Carburetor Kit-See Ref. 121.

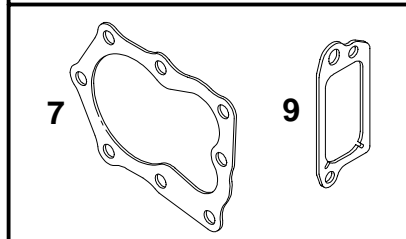
◆ Included in Carburetor Gasket Set-See Ref. 977.  
∅ Included in Valve Overhaul Gasket Set-Part No. 498528.

# 12S800 to 12S899

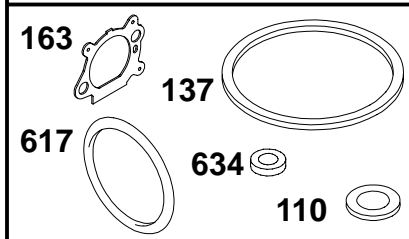
## 358 GASKET SET



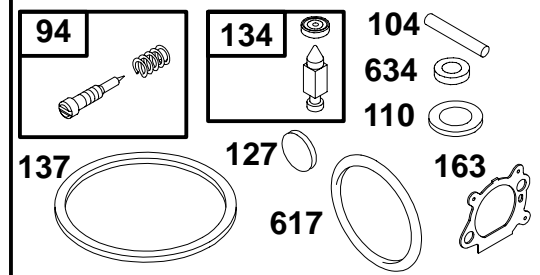
## 1095 VALVE OVERHAUL GASKET SET



## 977 CARBURETOR GASKET SET



## 121 CARBURETOR KIT



REF. NO.	PART NO.	DESCRIPTION	REF. NO.	PART NO.	DESCRIPTION	REF. NO.	PART NO.	DESCRIPTION
3	★299819	Seal-Oil	121	498260	Carburetor Kit	617	◆◆270344	Seal-Intake Manifold
7	★Ø272916	Gasket-Cylinder Head			<b>Note</b>	634	◆◆	Washer-Foam
9	★Ø272481	Gasket-Breather			493762 Carburetor Kit			(Sold in Kit Only)
12	★272198	Gasket-Crankcase			(Used Before Code	670	★493823	Spacer
20	★399781	Seal-Oil			Date 95110300).			(Includes 2)
51	★272199	Gasket-Intake	127	•	Plug-Welch	977	498261	Gasket Set-
94	◆493765	Valve-Idle Adjustment			(Sold in Kit Only)			Carburetor
104	◆231371	Pin-Float Hinge	134	◆398188	Valve-Needle			<b>Note</b>
110	◆◆	Washer-Bowl			(Includes Seat)			490937 Gasket Set-
		(Sold in Kit Only)	137	◆◆	Gasket-Bowl			Carburetor
116	★280393	Seal-O Ring			(Sold in Kit Only)			(Used Before Code
116A	★280966	Seal-O Ring	163	◆◆272653	Gasket-Air Cleaner			Date 95110300).
			358	497316	Gasket Set	1095	498528	Gasket Set-Valve
			585	★272238	Gasket-Breather			Overhaul

★ Included in Gasket Set-Part Number 497316.  
 • Included in Carburetor Kit-See Ref. 121.

◆ Included in Carburetor Gasket Set-See Ref. 977.  
 Ø Included in Valve Overhaul Gasket Set-Part No. 498528.