



**127800**

# Illustrated Parts List

## Model Series

# 127800

TYPE NUMBERS  
0100 through 3187.

### TABLE OF CONTENTS

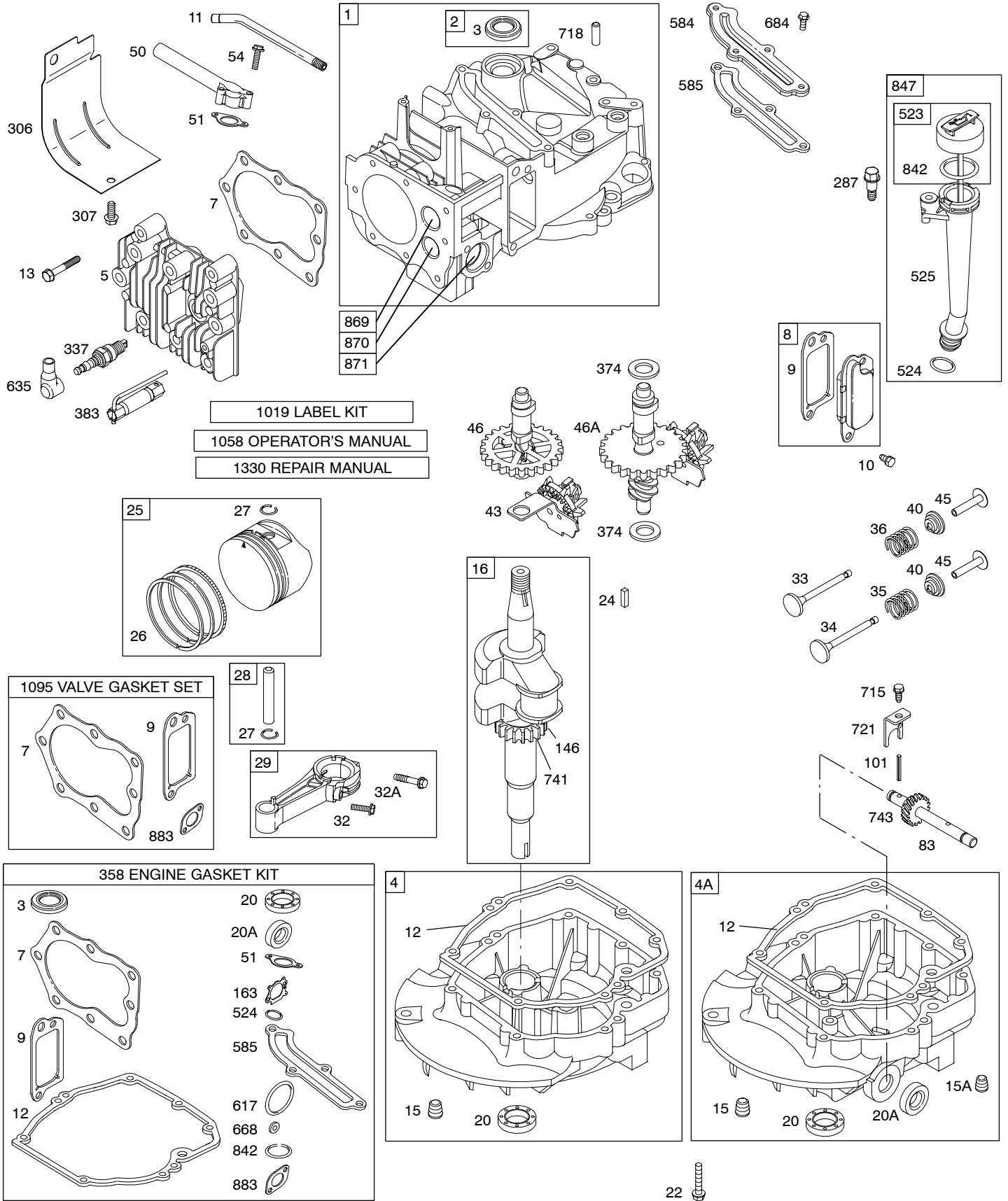
Alternator .....	8
Air Cleaner .....	4
Blower Housing/Shrouds .....	6
Camshaft .....	2
Carburetor .....	3
Controls .....	5
Crankshaft .....	2
Cylinder .....	2
Electric Starter .....	8
Electrical .....	8
Engine Sump .....	2
Exhaust System .....	4
Flywheel .....	7
Flywheel Brake .....	8
Fuel Supply .....	5
Governor Spring .....	5
Ignition .....	8
Kits/Gaskets .....	2 & 3
Lubrication .....	2
Piston Group .....	2
Rewind Starter .....	7
Valves .....	2



PRINTED IN U.S.A.

COPYRIGHT by BRIGGS & STRATTON CORPORATION  
All rights reserved. No part of this material may be reproduced or transmitted, in any form or by any means, electronic or mechanical, including photocopying, recording or by any information storage and retrieval system, without permission in writing from Briggs & Stratton Corporation.

# 127800

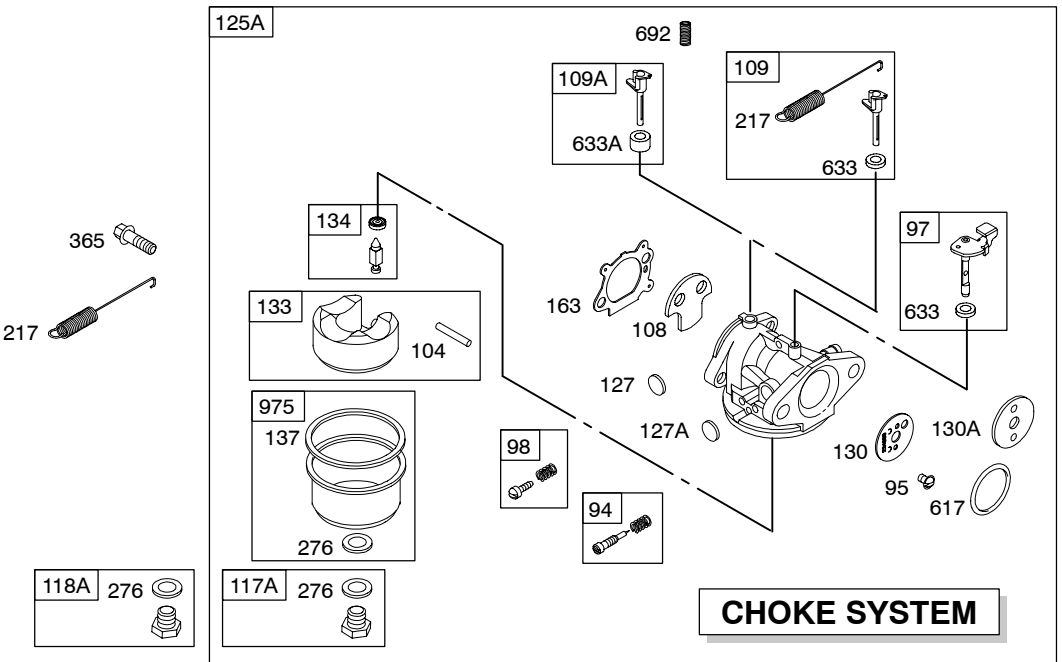
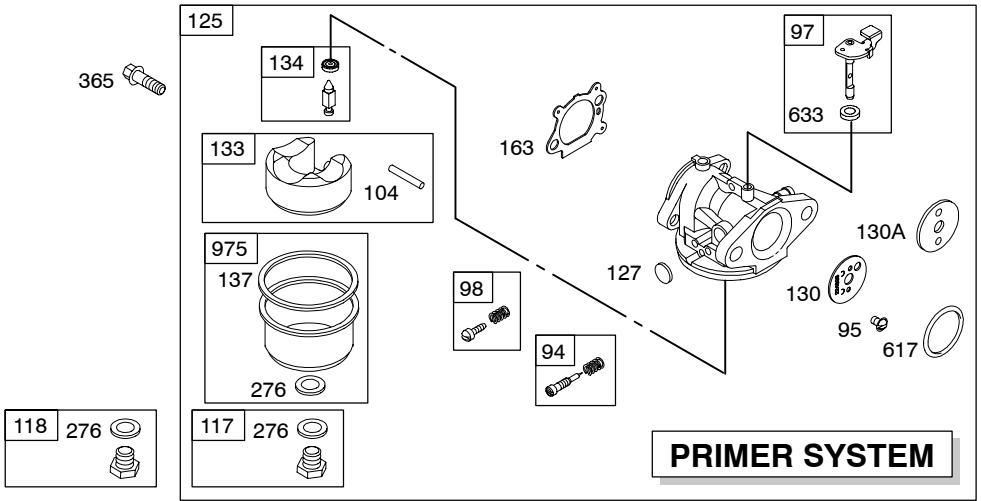


Illustrations cover a range of engines. Parts shown without corresponding text may not be used on your specific engine.

0519-2

Assemblies include all parts shown in frames.

09/20/2005

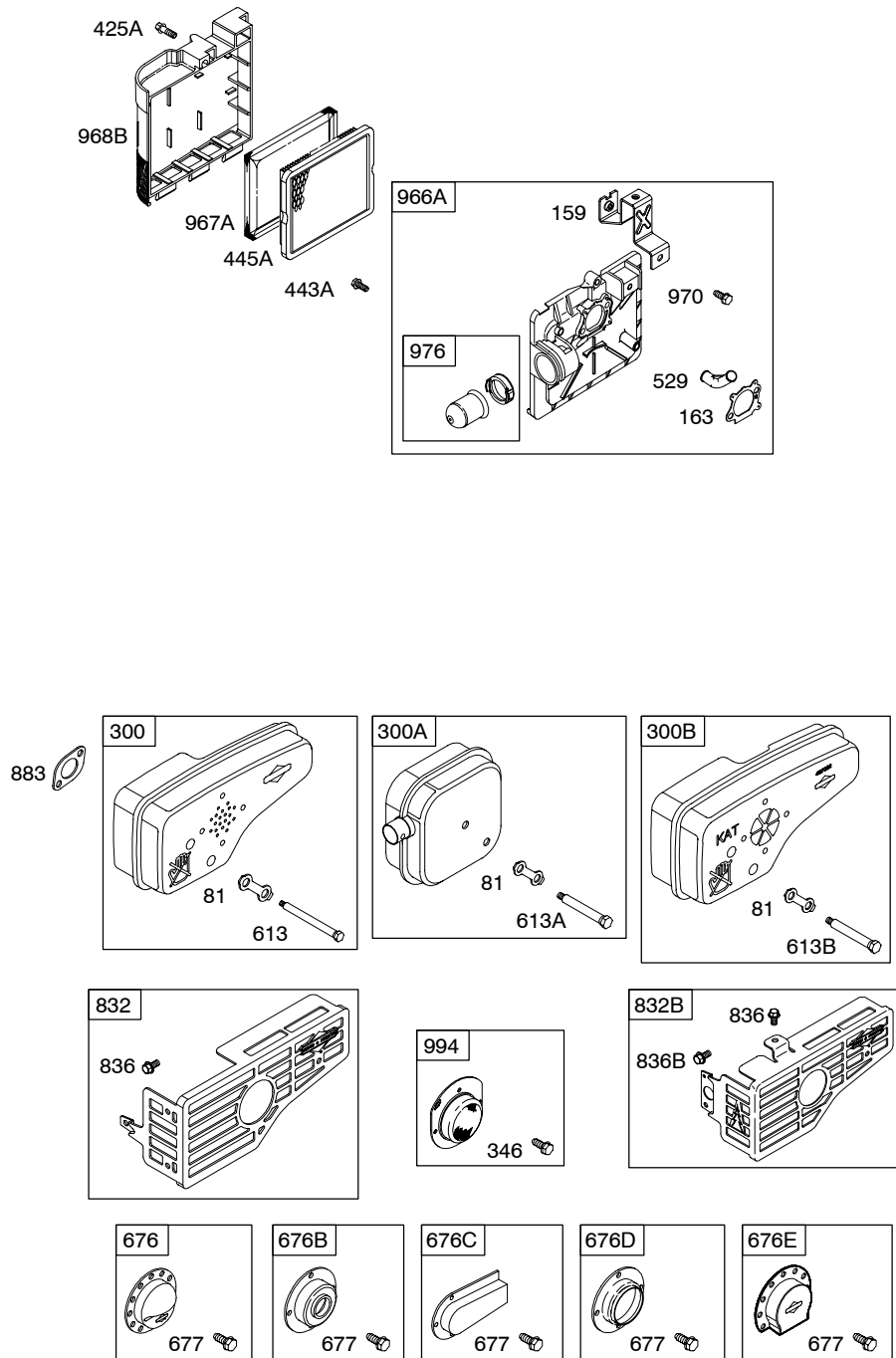


121 CARBURETOR OVERHAUL KIT		
94	134	276
104	137	617
127		633
127A	163	633A

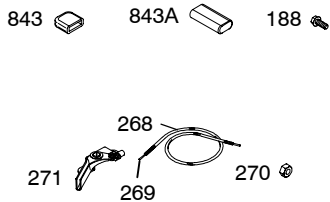
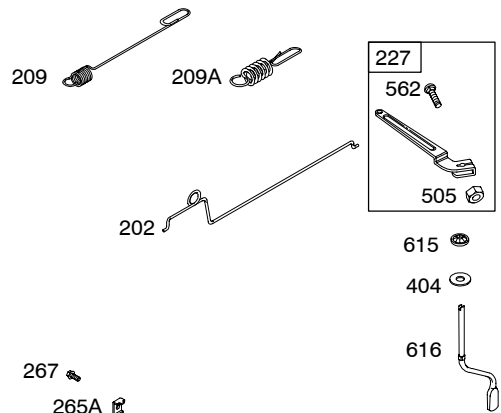
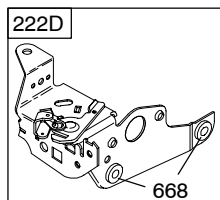
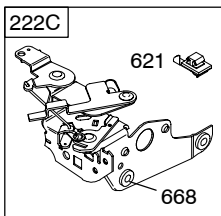
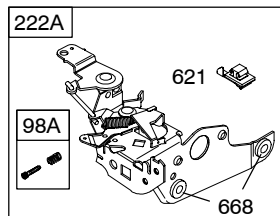
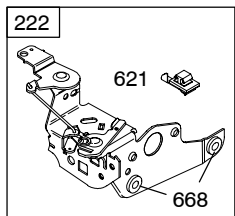
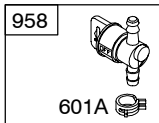
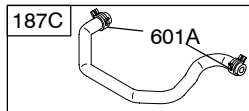
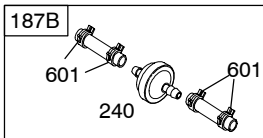
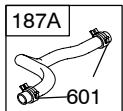
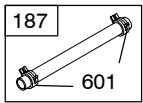
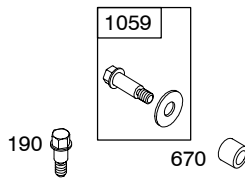
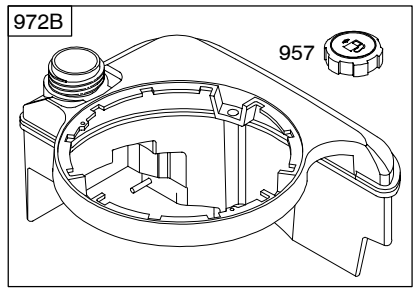
977 CARBURETOR GASKET SET		
137	276	633
163	617	633A

Illustrations cover a range of engines. Parts shown without corresponding text may not be used on your specific engine.  
 0519-3 Assemblies include all parts shown in frames. 09/20/2005

# 127800

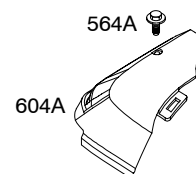
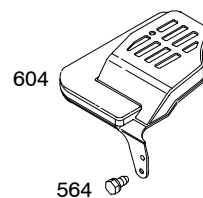
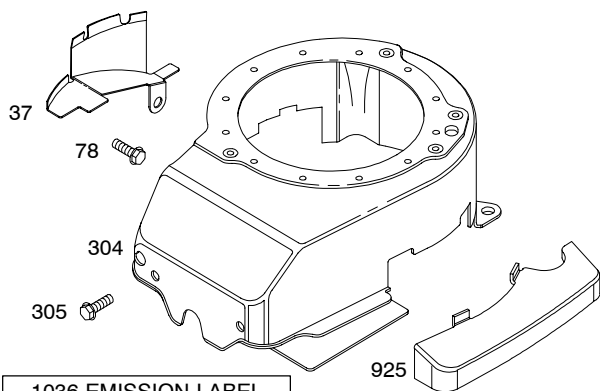
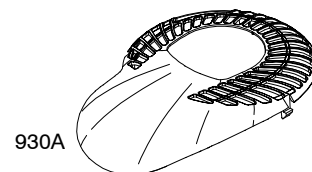
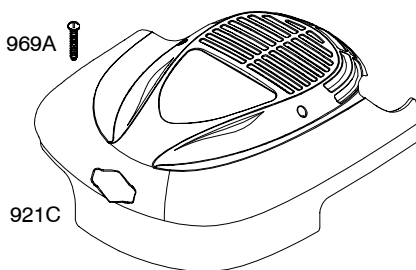
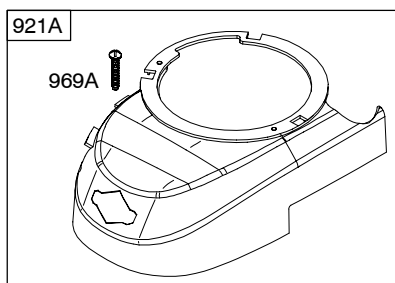
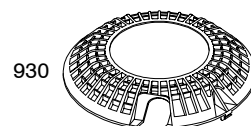
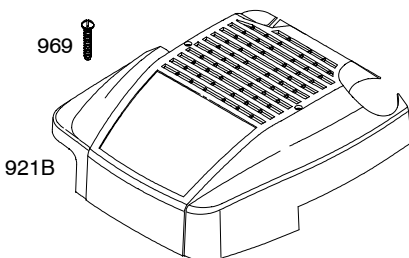
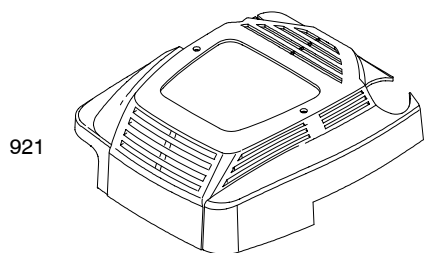


*Illustrations cover a range of engines. Parts shown without corresponding text may not be used on your specific engine.*  
0519-4 Assemblies include all parts shown in frames. 09/20/2005

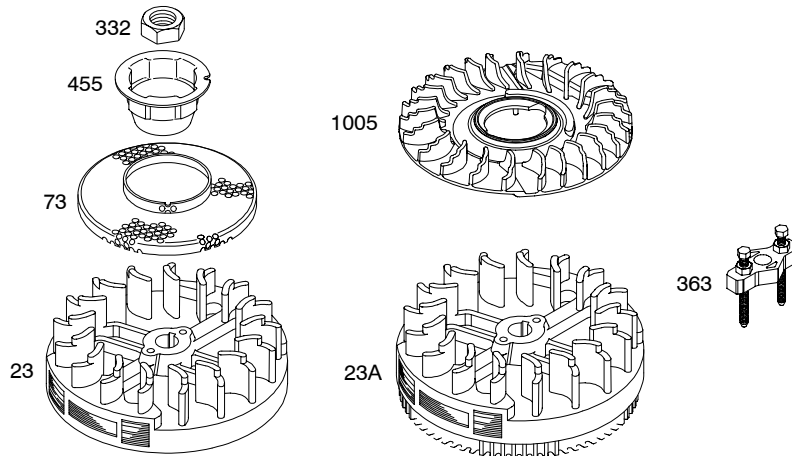
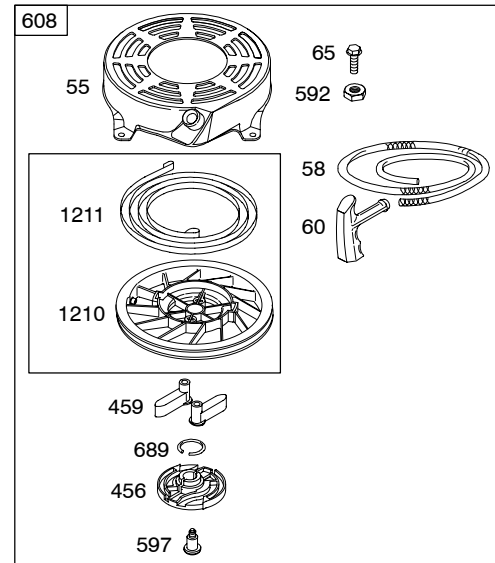
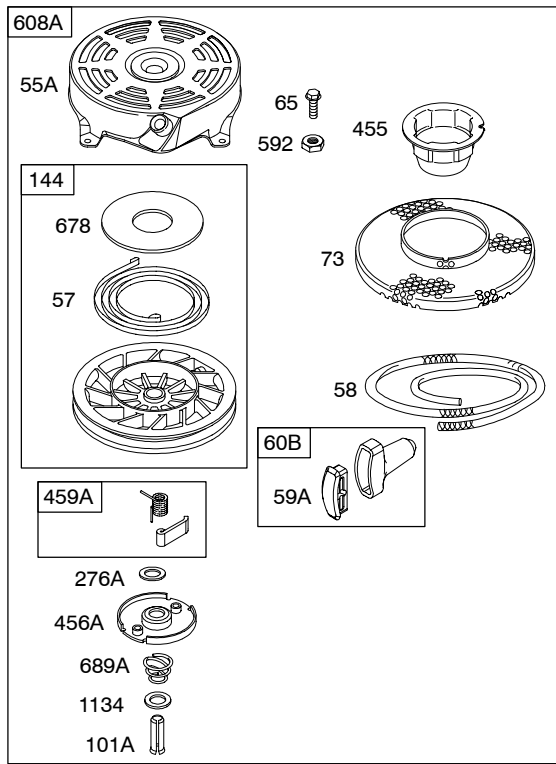


Illustrations cover a range of engines. Parts shown without corresponding text may not be used on your specific engine.  
 0519-5 Assemblies include all parts shown in frames. 09/20/2005

# 127800

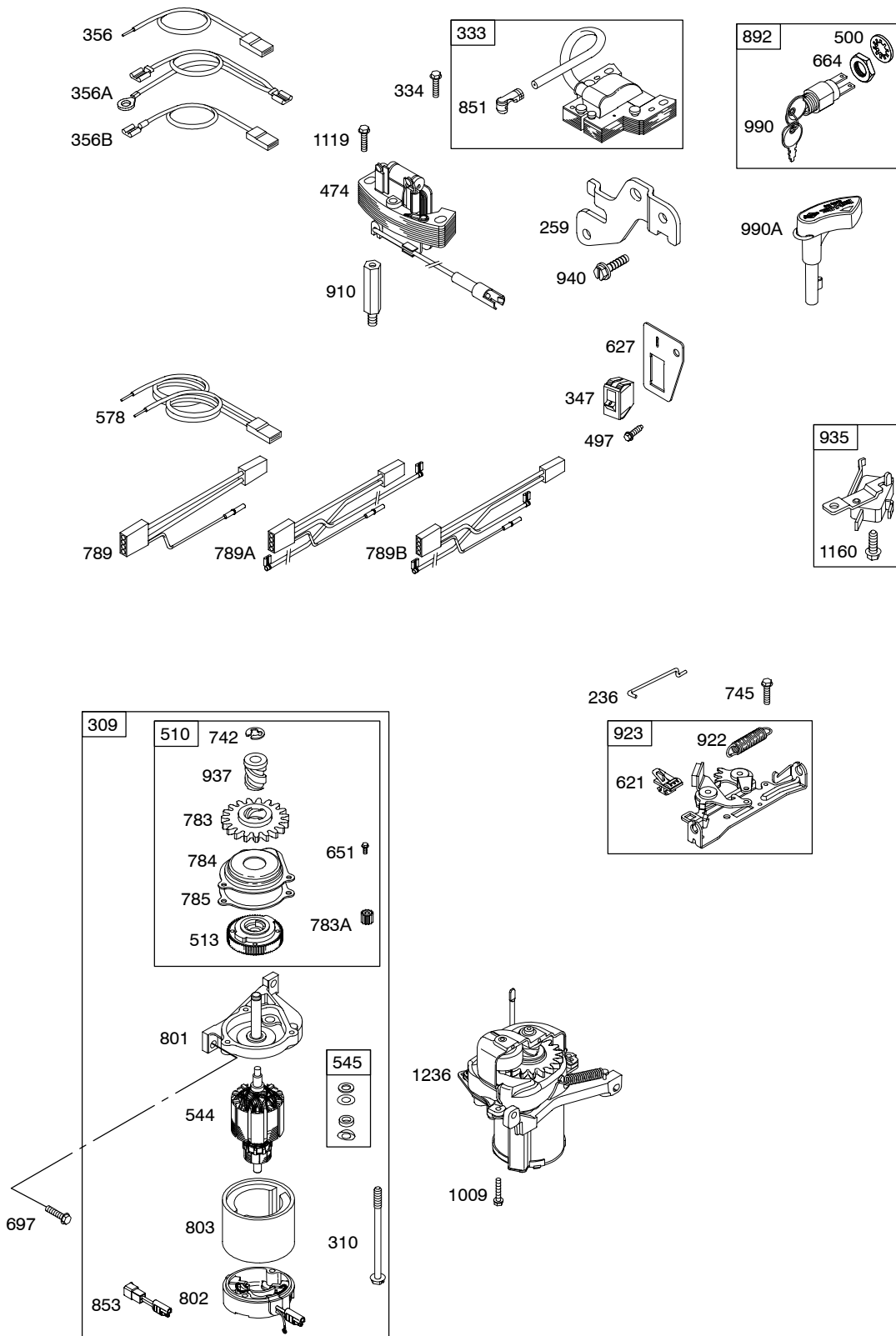


*Illustrations cover a range of engines. Parts shown without corresponding text may not be used on your specific engine.*



0519-7 *Illustrations cover a range of engines. Parts shown without corresponding text may not be used on your specific engine.* Assemblies include all parts shown in frames. 09/20/2005

# 127800



Illustrations cover a range of engines. Parts shown without corresponding text may not be used on your specific engine.  
 0519-8 Assemblies include all parts shown in frames. 09/20/2005



**127800**

REF. NO.	PART NO.	DESCRIPTION	REF. NO.	PART NO.	DESCRIPTION	REF. NO.	PART NO.	DESCRIPTION
1	697322	Cylinder Assembly	4A	493365	Sump-Engine (Auxiliary PTO)	11	691781	Tube-Breather
2	399269	Kit-Bushing/Seal				12	★692232	Gasket-Crankcase
3	★299819	Seal-Oil (Magneto Side)	5	691160	Head-Cylinder	13	690912	Screw (Cylinder Head)
4	493279	Sump-Engine ----- <b>Note</b> ----- 696294 Sump-Engine Used on Type No(s). 3165.	7	★∅692249	Gasket-Cylinder Head	15	691680	Plug-Oil Drain (Square Socket)
			8	495786	Breather Assembly	15A	691093	Plug-Oil Drain (Hex Socket)
			9	★∅272481	Gasket-Breather			
			10	94650	Screw (Breather Assembly)			

★ Included in Engine Gasket Set-Ref. No.358.

● Included in Carburetor Overhaul Kit-Ref. No. 121.

◆ Included in Carburetor Gasket Set-Ref. No. 977.

∅ Included in Valve Gasket Set-Ref. No 1095.

*Illustrations cover a range of engines. Parts shown without corresponding text may not be used on your specific engine.*

0519-9

Assemblies include all parts shown in frames.

09/20/2005

# 127800

REF. NO.	PART NO.	DESCRIPTION	REF. NO.	PART NO.	DESCRIPTION	REF. NO.	PART NO.	DESCRIPTION	
16	691451	Crankshaft (Used After Code Date 97011200). ----- <b>Note</b> ----- <b>694442</b> Crankshaft (Used Before Code Date 97011300). ----- <b>691450</b> Crankshaft (Used After Code Date 97011200). Used on Type No(s). 0600, 0808, 0830, 0843, 1108, 1111, 1112, 1113, 1145, 1146, 1167, 1312, 1531, 1533, 1534, 1536, 1538, 1700, 1908, 2308, 2631, 3112. <b>694440</b> Crankshaft (Used Before Code Date 97011300). Used on Type No(s). 0100, 0208, 0408, 0600, 0808, 0830, 0843, 1108, 1111, 1112, 1113, 1531, 1533, 1536, 1538. ----- <b>691452</b> Crankshaft (Used After Code Date 97011200). Used on Type No(s). 0811, 0812, 0821, 0826, 0829, 0838, 0839, 0850, 0861, 0866, 0880, 0883, 0890, 0892, 0897, 0898, 0899, 0900, 0902, 1114, 1137, 1139, 1140, 1149, 1150, 1162, 1166, 1168, 1176, 1191, 1366, 1376, 1378, 1386, 1566, 1572, 1765, 1766, 1912, 1914, 1927, 1929, 1952, 1966, 1969, 1972, 1973, 1995, 2004, 2006, 2007, 2009, 2366, 2667, 2668, 2676, 2681, 3110, 3125.			<b>694059</b> Crankshaft (Used Before Code Date 97011300). Used on Type No(s). 0415, 0811, 0812, 0821, 0826, 0829, 0838, 0839, 0850, 0861, 0866, 0890, 0892, 0897, 0898, 0899, 1114, 1137, 1139, 1140, 1162, 1166, 1176, 1191, 1366, 1376, 1378, 1386, 1566, 1572. ----- <b>691454</b> Crankshaft (Used After Code Date 97011200). Used on Type No(s). 0822, 0823, 0835, 0864, 0891, 1133, 1364, 1375, 1377, 1539, 1935, 1961, 3164, 3165, 3175, 3176, 3177, 3178. <b>692000</b> Crankshaft (Used Before Code Date 97011300). Used on Type No(s). 0822, 0823, 0835, 0864, 0891, 1133, 1364, 1375, 1377.				<b>691455</b> Crankshaft (Used After Code Date 97011200). Used on Type No(s). 0820, 1953, 2319. <b>691375</b> Crankshaft (Used Before Code Date 97011300). Used on Type No(s). 0820. ----- <b>692980</b> Crankshaft (Used After Code Date 97011200). Used on Type No(s). 0611, 0612, 0640, 0650, 0651, 0653, 0849, 1739, 1740, 1741, 1751, 1742, 1761, 1763, 1949. <b>694443</b> Crankshaft (Used Before Code Date 97011300). Used on Type No(s). 0611, 0612, 0640, 0650, 0651, 0849. ----- <b>695242</b> Crankshaft Used on Type No(s). 1171, 1177. <b>694849</b> Crankshaft Used on Type No(s). 1916. <b>691482</b> Crankshaft Used on Type No(s). 1913.

★ Included in Engine Gasket Set-Ref. No.358.  
● Included in Carburetor Overhaul Kit-Ref. No. 121.

◆ Included in Carburetor Gasket Set-Ref. No. 977.  
⊗ Included in Valve Gasket Set-Ref. No 1095.

**Illustrations cover a range of engines. Parts shown without corresponding text may not be used on your specific engine.**  
0519-10 Assemblies include all parts shown in frames. 09/20/2005

REF. NO.	PART NO.	DESCRIPTION	REF. NO.	PART NO.	DESCRIPTION	REF. NO.	PART NO.	DESCRIPTION
20	★399781	Seal-Oil (PTO Side)	25	790359	Piston Assembly (Standard) (Used After Code Date 04031400).	26	790360	Ring Set (Standard) (Used After Code Date 04031400).
20A	★691952	Seal-Oil (PTO Side) (Auxiliary PTO)			----- <b>Note</b> -----			----- <b>Note</b> -----
22	691092	Screw (Crankcase Cover/ Sump)		499429	Piston Assembly (Standard) (Used After Code Date 97011200 and Before Code Date 04031500).		499425	Ring Set (Standard) (Used After Code Date 97011200 and Before Code Date 04031500).
23	692315	Flywheel (Rewind Start)		493262	Piston Assembly (Standard) (Used Before Code Date 97011300).		493261	Ring Set (Standard) (Used Before Code Date 97011300).
23A	691987	Flywheel (Electric Start) ----- <b>Note</b> ----- 691992 Flywheel (Electric Start) Used on Type No(s). 0662, 0838, 0880, 0882, 0883, 0897, 0899, 0900, 1139, 1140, 1141, 1378, 1927, 1953, 2000, 2319. 696291 Flywheel (Electric Start) Used on Type No(s). 3165.		499430	Piston Assembly (.010" Oversize) (Used After Code Date 97011200).		499426	Ring Set (.010" Oversize) (Used After Code Date 97011200).
24	222698	Key-Flywheel		493385	Piston Assembly (.010" Oversize) (Used Before Code Date 97011300).		791324	Ring Set (.020" Oversize) (Used After Code Date 04102100).
				791326	Piston Assembly (.020" Oversize) (Used After Code Date 04102100).		499427	Ring Set (.020" Oversize) (Used After Code Date 97011200 and Before Code Date 04102200).
				499431	Piston Assembly (.020" Oversize) (Used After Code Date 97011200 and Before Code Date 04102200).		493389	Ring Set (.020" Oversize) (Used Before Code Date 97011300).
				493386	Piston Assembly (.020" Oversize) (Used Before Code Date 97011300).		499428	Ring Set (.030" Oversize) (Used After Code Date 97011200).
				499432	Piston Assembly (.030" Oversize) (Used After Code Date 97011200).		493390	Ring Set (.030" Oversize) (Used Before Code Date 97011300).
				493387	Piston Assembly (.030" Oversize) (Used Before Code Date 97011300).			

★ Included in Engine Gasket Set-Ref. No.358.

● Included in Carburetor Overhaul Kit-Ref. No. 121.

◆ Included in Carburetor Gasket Set-Ref. No. 977.

⊗ Included in Valve Gasket Set-Ref. No 1095.

*Illustrations cover a range of engines. Parts shown without corresponding text may not be used on your specific engine.*

# 127800

REF. NO.	PART NO.	DESCRIPTION	REF. NO.	PART NO.	DESCRIPTION	REF. NO.	PART NO.	DESCRIPTION
27	691866	Lock-Piston Pin (Used After Code Date 97011200). ----- <b>Note</b> ----- 691588 Lock-Piston Pin (Used Before Code Date 97011300).	34	262652	Valve-Intake	55	691421	Housing-Rewind Starter
28	499423	Pin-Piston (Standard) (Used After Code Date 97011200). ----- <b>Note</b> ----- 298909 Pin-Piston (Standard) (Used Before Code Date 97011300). 298908 Pin-Piston (.005" Oversize) (Used Before Code Date 97011300).	35	691270	Spring-Valve (Intake)	55A	492831	Housing-Rewind Starter
29	499424	Rod-Connecting (Standard) (Used After Code Date 97011200). ----- <b>Note</b> ----- 490566 Rod-Connecting (Standard) (Used Before Code Date 97011300). 490743 Rod-Connecting (.020" Undersize) (Used Before Code Date 97011300).	36	691270	Spring-Valve (Exhaust)	57	491889	Spring-Rewind Starter
32	691664	Screw (Connecting Rod)	37	694086	Guard-Flywheel	58	697316	Rope-Starter (Cut To Required Length)
32A	695759	Screw (Connecting Rod) (Used After Code Date 00042200).	40	692194	Retainer-Valve	59A	396892	Insert-Grip
33	262651	Valve-Exhaust	43	691997	Slinger-Governor/Oil ----- <b>Note</b> ----- 691486 Slinger-Governor/Oil Used on Type No(s). 1913.	60	281434	Grip-Starter Rope (Pistol Grip)
			45	690548	Tappet-Valve	60B	393152	Grip-Starter Rope (2 Piece)
			46	691449	Camshaft (Used After Code Date 96060200). ----- <b>Note</b> ----- 492830 Camshaft (Used Before Code Date 96060300).	65	690837	Screw (Rewind Starter)
			46A	691459	Camshaft (Counterclockwise) (Used After Code Date 96060200). ----- <b>Note</b> ----- 493738 Camshaft (Counterclockwise) (Used Before Code Date 96060300). Used on Type No(s). 0210, 0811, 0822, 0823, 0892, 0903, 1110, 1112, 1113, 1139, 1140, 1142, 1375, 1377, 1570, 1571, 1581, 1591, 1883, 1884, 1959. 691460 Camshaft (Clockwise)	73	691222	Screen-Rotating
			50	497465	Manifold-Intake	78	691108	Screw (Flywheel Guard)
			51	★272199	Gasket-Intake	81	691740	Lock-Muffler Screw
			54	691650	Screw (Intake Manifold)	83	691778	Shaft-Auxiliary Drive ----- <b>Note</b> ----- 690522 Shaft-Auxiliary Drive Used on Type No(s). 0811, 1112, 1113, 1536, 1538, 2673, 2674.
						94	●493765	Kit-Idle Mixture
						95	691636	Screw (Throttle Valve)
						97	493267	Shaft-Throttle (Metal) ----- <b>Note</b> ----- 696565 Shaft-Throttle (Plastic)
						98	398185	Kit-Idle Speed
						98A	493280	Kit-Idle Speed
						101	691623	Pin-Shaft
						101A	262626	Pin-Shaft
						104	●691242	Pin-Float Hinge
						108	691182	Valve-Choke
						109	494218	Shaft-Choke
						109A	498593	Shaft-Choke

★ Included in Engine Gasket Set-Ref. No.358.

● Included in Carburetor Overhaul Kit-Ref. No. 121.

◆ Included in Carburetor Gasket Set-Ref. No. 977.

⊘ Included in Valve Gasket Set-Ref. No 1095.

*Illustrations cover a range of engines. Parts shown without corresponding text may not be used on your specific engine.*

REF. NO.	PART NO.	DESCRIPTION	REF. NO.	PART NO.	DESCRIPTION	REF. NO.	PART NO.	DESCRIPTION
117	494870	Jet-Main (Standard) (Used After Code Date 96060200). ----- <b>Note</b> ----- <b>497466</b> Jet-Main (Standard) (Used After Code Date 95102900 and Before Code Date 96060300). <b>497315</b> Jet-Main (Standard) (Used Before Code Date 95103000). <b>493637</b> Jet-Main (Standard) (Used Before Code Date 94070400). Used on Type No(s). 0611, 0612.	118	497315	Jet-Main (High Altitude) (Used After Code Date 96060200). ----- <b>Note</b> ----- <b>496495</b> Jet-Main (High Altitude) (Used After Code Date 95102900 and Before Code Date 96060300). <b>497348</b> Jet-Main (High Altitude) (Used Before Code Date 95103000). <b>494870</b> Jet-Main (High Altitude) (Used Before Code Date 94070400). Used on Type No(s). 0611, 0612.	121	498260	Kit-Carburetor Overhaul
117A	498977	Jet-Main (Standard) (Used After Code Date 96060200). ----- <b>Note</b> ----- <b>493637</b> Jet-Main (Standard) (Used Before Code Date 96060300). <b>498978</b> Jet-Main (Standard) Used on Type No(s). 1913, 1953, 2319. <b>498981</b> Jet-Main (Standard) Used on Type No(s). 1916.	118A	498981	Jet-Main (High Altitude) (Used After Code Date 96060200). ----- <b>Note</b> ----- <b>496063</b> Jet-Main (High Altitude) (Used Before Code Date 96060300). <b>498975</b> Jet-Main (High Altitude) Used on Type No(s). 1913, 1953, 2319. <b>494870</b> Jet-Main (High Altitude) Used on Type No(s). 1916.	125	498170	Carburetor (Primer System) (Used After Code Date 96060200). ----- <b>Note</b> ----- <b>498254</b> Carburetor (Primer System) (Used Before Code Date 96060300). <b>496114</b> Carburetor (Primer System) (Used Before Code Date 94070400). Used on Type No(s). 0611, 0612.
						125A	498965	Carburetor (Choke System) (Used After Code Date 96060200). ----- <b>Note</b> ----- <b>494217</b> Carburetor (Choke System) (Used Before Code Date 96060300). <b>499059</b> Carburetor (Choke System) Used on Type No(s). 1913, 1953, 2319. <b>792253</b> Carburetor (Choke System) Used on Type No(s). 1916.
						127	●694468	Plug-Welch (3/8" Diameter)
						127A	●691739	Plug-Welch (5/16" Diameter)

★ Included in Engine Gasket Set-Ref. No.358.

● Included in Carburetor Overhaul Kit-Ref. No. 121.

◆ Included in Carburetor Gasket Set-Ref. No. 977.

⊘ Included in Valve Gasket Set-Ref. No 1095.

*Illustrations cover a range of engines. Parts shown without corresponding text may not be used on your specific engine.*

# 127800

REF. NO.	PART NO.	DESCRIPTION	REF. NO.	PART NO.	DESCRIPTION	REF. NO.	PART NO.	DESCRIPTION
130	691203	Valve-Throttle	188	690877	Screw (Control Bracket)	209A	691835	Spring-Governor ----- <b>Note</b> -----
130A	691181	Valve-Throttle	190	690940	Screw (Fuel Tank)			<b>691834</b> Spring-Governor
133	398187	Float-Carburetor	202	691829	Link-Mechanical Governor			Used on Type No(s). 1167, 1146.
134	●398188	Kit-Needle/Seat	209	691292	Spring-Governor ----- <b>Note</b> -----			<b>691832</b> Spring-Governor
137	◆693981	Gasket-Float Bowl			<b>699056</b> Spring-Governor			Used on Type No(s). 0880, 0897.
144	493824	Pulley/Spring Assembly			Used on Type No(s). 0600, 0650, 0808, 0829, 0837, 0839, 1109, 1110, 1700, 1761, 1901, 1908, 1929, 1953, 1992, 1994, 1995, 2309, 2319.			<b>690569</b> Spring-Governor
146	690979	Key-Timing			<b>691864</b> Spring-Governor			Used on Type No(s). 1171, 1177.
159	691753	Bracket-Air Cleaner Primer			Used on Type No(s). 1913.			<b>690568</b> Spring-Governor
163	★◆272653	Gasket-Air Cleaner			<b>691852</b> Spring-Governor			Used on Type No(s). 1914, 1766, 1887, 1971, 1972, 2008, 2009, 2367, 2680, 2681, 2673, 2674.
187	791766	Line-Fuel (Cut to Required Length) (Used After Code Date 05063000). ----- <b>Note</b> ----- <b>691050</b> Line-Fuel (Cut to Required Length) (Used Before Code Date 05070100).			<b>691851</b> Spring-Governor			Used on Type No(s). 0830, 0841, 0843, 0848, 0893, 1130, 1312, 1387, 1530, 1531, 1916, 1948, 2631, 3112, 3187.
187A	791873	Line-Fuel (Molded) (Used After Code Date 05063000). ----- <b>Note</b> ----- <b>691371</b> Line-Fuel (Molded) (Used Before Code Date 05070100).			<b>691291</b> Spring-Governor			Used on Type No(s). 2007, 2006.
187B	791891	Line-Fuel (Includes Filter) (Used After Code Date 05063000). ----- <b>Note</b> ----- <b>692042</b> Line-Fuel (Includes Filter) (Used Before Code Date 05070100).						
187C	791875	Line-Fuel (Molded) (Used After Code Date 05063000). ----- <b>Note</b> ----- <b>696292</b> Line-Fuel (Molded) (Used Before Code Date 05070100).						

★ Included in Engine Gasket Set-Ref. No.358.

● Included in Carburetor Overhaul Kit-Ref. No. 121.

◆ Included in Carburetor Gasket Set-Ref. No. 977.

⊘ Included in Valve Gasket Set-Ref. No 1095.

**Illustrations cover a range of engines. Parts shown without corresponding text may not be used on your specific engine.**

REF. NO.	PART NO.	DESCRIPTION	REF. NO.	PART NO.	DESCRIPTION	REF. NO.	PART NO.	DESCRIPTION
217	690354	Spring-choke Return	271	691028	Lever-Control	305	691108	Screw
222	790143	Bracket-Control (Remote/Manual Friction)(Primer)	276	◆271716	Washer			(Blower Housing)
222A	692021	Bracket-Control (Remote Choke A Matic, Non Compliance)	276A	280973	Washer-Sealing	306	690450	Shield-Cylinder
222C	692150	Bracket-Control (Remote/Manual Friction)(Variable Speed And 5 Position Manual Choke)	270	691027	Nut	307	690345	Screw (Cylinder Shield)
222D	692467	Bracket-Control (Remote/Manual Friction)(Variable Speed And 5 Position Manual Choke Without Stopswitch)	287	690940	Screw (Dipstick Tube)	309	695550	Motor-Starter
227	690783	Lever-Governor Control	300	496106	Muffler (Tuned)	310	692327	Bolt (Starter Motor)
236	691826	Link-Lockout	300A	494343	Muffler (Square Lo Tone)	332	690662	Nut (Flywheel)
240	298090	Filter-Fuel	300B	497681	Muffler (Catalyst)	333	802574	Armature-Magneto
259	691223	Bracket-Casing Clamp	304	493293	Housing-Blower	334	691061	Screw (Magneto Armature)
265	690798	Clamp-Casing			----- Note -----	337	802592	Plug-Spark
265A	691024	Clamp-Casing			696298 Housing-Blower	346	690661	Screw (Spark Arrestor)
267	691044	Screw (Casing Clamp)			Used on Type No(s). 3165.	347	691396	Switch-Rocker
268	691025	Casing-Control Wire (72" Long) (Cut to Required Length)			695892 Housing-Blower	356	692390	Wire-Stop
		----- Note -----			Used on Type No(s). 1901, 1908, 1992, 1994, 1995.	356A	690650	Wire-Stop
		691072 Casing-Control Wire (48" Long) (Cut to Required Length)			493294 Housing-Blower	356B	693010	Wire-Stop
269	691026	Wire-Control (Cut to Required Length)			Used on Type No(s). 0513, 0662, 0817, 0821, 0829, 0830, 0838, 0841, 0843, 0848, 0880, 0882, 0883, 0893, 0897, 0899, 0900, 0903, 1130, 1138, 1139, 1140, 1141, 1168, 1190, 1193, 1312, 1378, 1387, 1530, 1531, 1913, 1916, 1927, 1929, 1948, 1952, 1953, 1969, 2006, 2007, 2319, 2631, 3110, 3112, 3187.	358	497316	Gasket Set-Engine
270	691027	Nut (Control Wire Casing)				363	19069	Flywheel Puller
						365	691688	Screw (Carburetor)
						374	691074	Washer (Camshaft)
						383	89838	Wrench-Spark Plug
						404	690272	Washer (Governor Crank)
						425A	690670	Screw (Air Cleaner Cover)
						443A	692523	Screw (Air Cleaner Primer Base)
						445A	491588	Filter-Air Cleaner Cartridge
						455	695161	Cup-Flywheel
						455A	224250	Cup-Flywheel
						456	692299	Plate-Pawl Friction
						456A	224321	Plate-Pawl Friction
						459	281505	Pawl-Ratchet
						459A	492833	Pawl-Ratchet

★ Included in Engine Gasket Set-Ref. No.358.

● Included in Carburetor Overhaul Kit-Ref. No. 121.

◆ Included in Carburetor Gasket Set-Ref. No. 977.

⊘ Included in Valve Gasket Set-Ref. No 1095.

*Illustrations cover a range of engines. Parts shown without corresponding text may not be used on your specific engine.*

# 127800

REF. NO.	PART NO.	DESCRIPTION	REF. NO.	PART NO.	DESCRIPTION	REF. NO.	PART NO.	DESCRIPTION
474	691991	Alternator	613	691340	Screw (Muffler)	677	690661	Screw (Muffler Deflector)
497	690664	Screw (Stopswitch Bracket)	613A	691653	Screw (Muffler)	678	224278	Spacer-Rewind
500	691086	Washer (Key Switch)	613B	691114	Screw (Muffler)	684	690345	Screw (Breather Passage Cover)
505	691251	Nut (Governor Control Lever)	615	690340	Retainer-Governor Shaft	689	691855	Spring-Friction
510	494147	Drive-Starter	616	698801	Crank-Governor	689A	262625	Spring-Friction
513	692358	Drive-Clutch	617	◆270344	Seal-O Ring (Intake Manifold)	692	690572	Spring-Detent
523	495264	Dipstick	621	692310	Switch-Stop	697	691127	Screw (Drive Cap)
524	★692296	Seal-Dipstick Tube	627	692872	Bracket-Stop Switch	715	691147	Screw (Stop Shaft)
525	495265	Tube-Dipstick	633	◆691321	Seal-Choke/Throttle Shaft	718	690959	Pin-Locating
529	691923	Grommet	633A	◆693867	Seal-Choke/Throttle Shaft	721	690449	Stop-Shaft
544	690786	Armature-Starter	635	66538	Boot-Spark Plug	741	790345	Gear-Timing (Use Without Woodruff Key)
545	492919	Washer Set (Motor Starter)	651	691660	Screw (Starter Gear Cover)	----- <b>Note</b> -----		
562	92613	Bolt (Governor Control Lever)	664	691087	Nut (Key Switch)	742	93941	Retainer-E Ring
564	690664	Screw (Control Cover)	668	★493823	Spacer (Includes 2)	743	691772	Gear-Drive
564A	691142	Screw (Control Cover)	670	692294	Spacer-Fuel Tank	745	691648	Screw (Brake)
578	398153	Wire Assembly	676	396548	Deflector-Muffler (Single Louver)	776	396526	Guide-Rope
584	697734	Cover-Breather Passage	676B	397931	Deflector-Muffler (Direct Out) (3/4" Diameter)	783	691918	Gear-Pinion (Starter Drive) (19 Teeth)
585	★691879	Gasket-Breather Passage	676C	493871	Deflector-Muffler (Side Out) (Extended) (17/32" Deep)	783A	691269	Gear-Pinion (12 Teeth)
592	690800	Nut (Rewind Starter)	676D	497682	Deflector-Muffler (Direct Out) (1 3/16" Diameter)	784	692341	Cover-Starter Gear
597	691696	Screw (Pawl Friction Plate)	676E	393760	Deflector-Muffler (Side Out) (7/16" Deep)	785	692352	Gasket-Starter Cover
601	95162	Clamp-Hose (Green)						
601A	691038	Clamp-Hose (Black)						
604	691757	Cover-Control						
604A	691344	Cover-Control						
608	497680	Starter-Rewind						
608A	497598	Starter-Rewind						

★ Included in Engine Gasket Set-Ref. No.358.

● Included in Carburetor Overhaul Kit-Ref. No. 121.

◆ Included in Carburetor Gasket Set-Ref. No. 977.

⊘ Included in Valve Gasket Set-Ref. No 1095.

*Illustrations cover a range of engines. Parts shown without corresponding text may not be used on your specific engine.*



REF. NO.	PART NO.	DESCRIPTION	REF. NO.	PART NO.	DESCRIPTION	REF. NO.	PART NO.	DESCRIPTION
789	695551	Harness-Wiring (Used After Code Date 00040600). ----- <b>Note</b> ----- 690790 Harness-Wiring (Used Before Code Date 00040700).	843	691884	Sleeve-Lever (Speed Control)	937	691325	Spline-Starter
789A	691372	Harness-Wiring (Used Before Code Date 00040700).	843A	691895	Sleeve-Lever (Choke)	940	690664	Screw (Casing Clamp Bracket)
789B	696547	Harness-Wiring (Used After Code Date 00040600).	847	692017	Dipstick/Tube Assembly	946	691738	Stop-Rope
801	690782	Cap-Drive	851	493880	Terminal-Spark Plug	957	397974	Cap-Fuel Tank (Plastic)
802	695267	Cap-End (Used After Code Date 00040600). ----- <b>Note</b> ----- 695975 Cap-End (Used Before Code Date 00040700).	853	695268	Adapter-Wire	958	698183	Valve-Fuel Shut Off (Plastic)
803	695266	Housing-Starter (Used After Code Date 00040600). ----- <b>Note</b> ----- 695975 Housing-Starter (Used Before Code Date 00040700).	869	691155	Seat-Valve (Intake)	966A	496116	Base-Air Cleaner Primer
832	499034	Guard-Muffler (Used With Super Lo Tone Muffler Tuned)	870	690380	Seat-Valve (Exhaust)	967A	493537	Filter-Pre Cleaner
832B	497683	Guard-Muffler (Used With Super Lo Tone Catalyst Muffler)	871	262001	Bushing-Valve Guide (Exhaust) ----- <b>Note</b> ----- 63709 Bushing-Valve Guide (Intake)	968B	692298	Cover-Air Cleaner
836	690664	Screw (Muffler Guard)	883	★691881	Gasket-Exhaust	969	690700	Screw (Blower Housing Cover)
836B	691147	Screw (Muffler Guard)	892	690646	Switch-Key	969A	691138	Screw (Blower Housing Cover)
842	★691031	Seal-O Ring (Dipstick Tube)	910	691094	Stud (Alternator)	970	691669	Screw (Air Cleaner Primer Bracket)
			921	497233	Cover-Blower Housing	972B	699374	Tank-Fuel (Plastic) ----- <b>Note</b> ----- 699387 Tank-Fuel (Plastic) Used on Type No(s). 3165.
			921A	695886	Cover-Blower Housing	975	493640	Bowl-Float
			921B	692931	Cover-Blower Housing	976	694395	Primer-Carburetor
			921C	695889	Cover-Blower Housing	977	498261	Gasket Set-Carburetor
			922	691831	Spring-Brake ----- <b>Note</b> ----- 692135 Spring-Brake Used on Type No(s). 1992, 1994, 1995.	990	691959	Key Set
			923	691994	Brake ----- <b>Note</b> ----- 695891 Brake Used on Type No(s). 1992, 1994, 1995.	990A	695951	Key Set
			925	690595	Cover-Linkage	994	398067	Arrestor-Spark
			930	691919	Guard-Rewind (Round)(Satin Black)	1009	696255	Screw (Starter Motor)
			930A	691345	Guard-Rewind (Teardrop)(Satin Black)	1005	691346	Fan-Flywheel
			935	499421	Switch-Interlock	1019	494256	Kit-Label ----- <b>Note</b> ----- 790231 Kit-Label (Touch N Mow)

★ Included in Engine Gasket Set-Ref. No.358.

● Included in Carburetor Overhaul Kit-Ref. No. 121.

◆ Included in Carburetor Gasket Set-Ref. No. 977.

⊘ Included in Valve Gasket Set-Ref. No 1095.

*Illustrations cover a range of engines. Parts shown without corresponding text may not be used on your specific engine.*

# 127800

REF. NO.	PART NO.	DESCRIPTION	REF. NO.	PART NO.	DESCRIPTION	REF. NO.	PART NO.	DESCRIPTION
1036		Label-Emission (Available From An Authorized Briggs & Statton Sevice Dealer)	1095	498528	Gasket Set-Valve	1211	498144	Pulley/Spring Assembly (Spring)
1058	276171	Operator's Manual	1119	691648	Screw (Alternator)	1236	695959	Starter-Mechanical (Touch N Mow)
1059	692311	Kit-Screw/Washer	1134	224322	Washer (Pawl Friction Plate)			(Do Not Service Individual Parts, Only As A Whole)
		----- <b>Note</b> ----- 696293 Kit-Screw/ Washer Used on Type No(s). 3165.	1160	691627	Screw (Interlock Switch)	1330	270962	Manual-Repair
			1210	498144	Pulley/Spring Assembly (Pulley)			

★ Included in Engine Gasket Set-Ref. No.358.

● Included in Carburetor Overhaul Kit-Ref. No. 121.

◆ Included in Carburetor Gasket Set-Ref. No. 977.

∅ Included in Valve Gasket Set-Ref. No 1095.

*Illustrations cover a range of engines. Parts shown without corresponding text may not be used on your specific engine.*

0519-18

Assemblies include all parts shown in frames.

09/20/2005