

123400

Illustrated Parts List

Model Series

123400

TYPE NUMBERS
0035 through 0267.

TABLE OF CONTENTS

Air Cleaner	8
Blower Housing/Shrouds	9
Cams	3
Carburetor	5
Controls	6
Controls	7
Crankcase Cover/Sump	2
Crankshaft	3
Cylinder	2
Electric Starter	10
Flywheel	9
Fuel Tank	6
Gear Reducer	10
Governor Spring	7
Head	4
Ignition	7
Kits/Gaskets – Carburetor	5
Kits/Gaskets – Engine	2
Kits/Gaskets – Valve	4
Muffler	8
Oil	10
Piston Group	3
Rewind	9
Valves	4

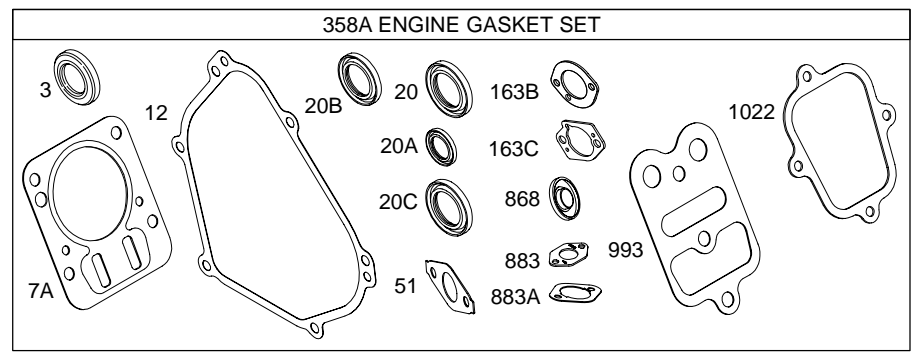
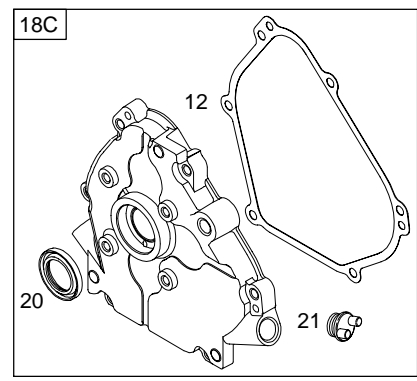
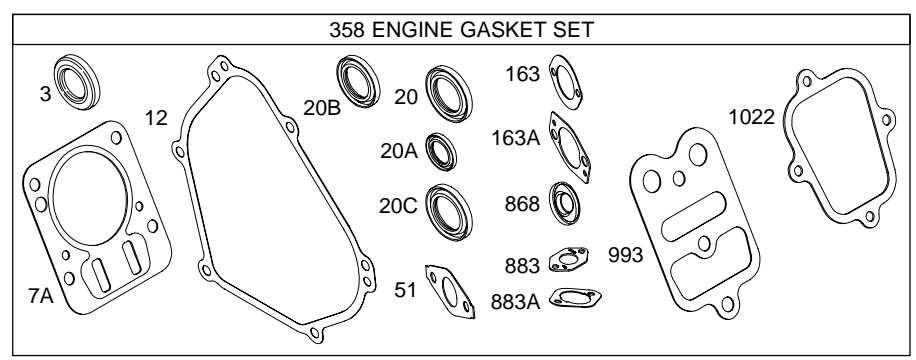
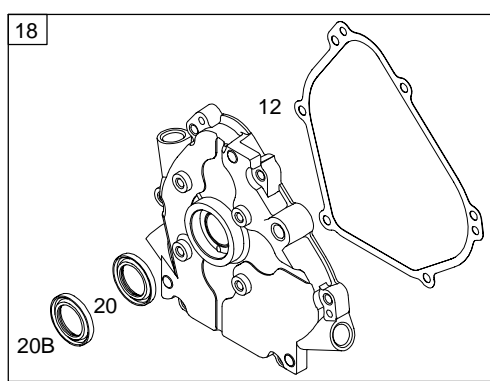
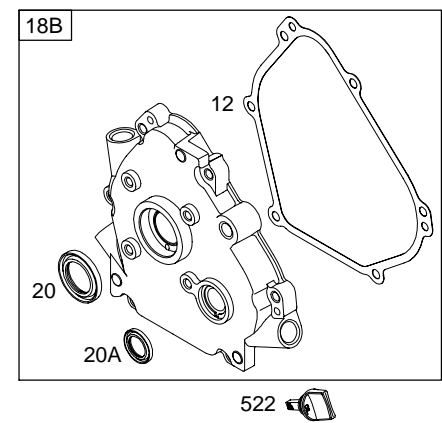
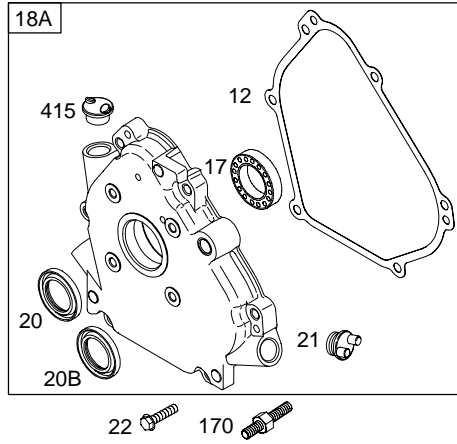
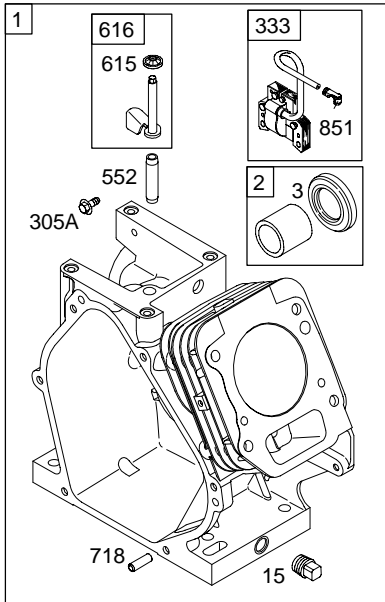
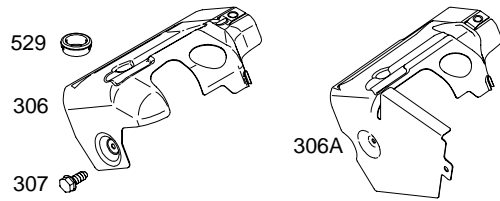
PRINTED IN U.S.A.



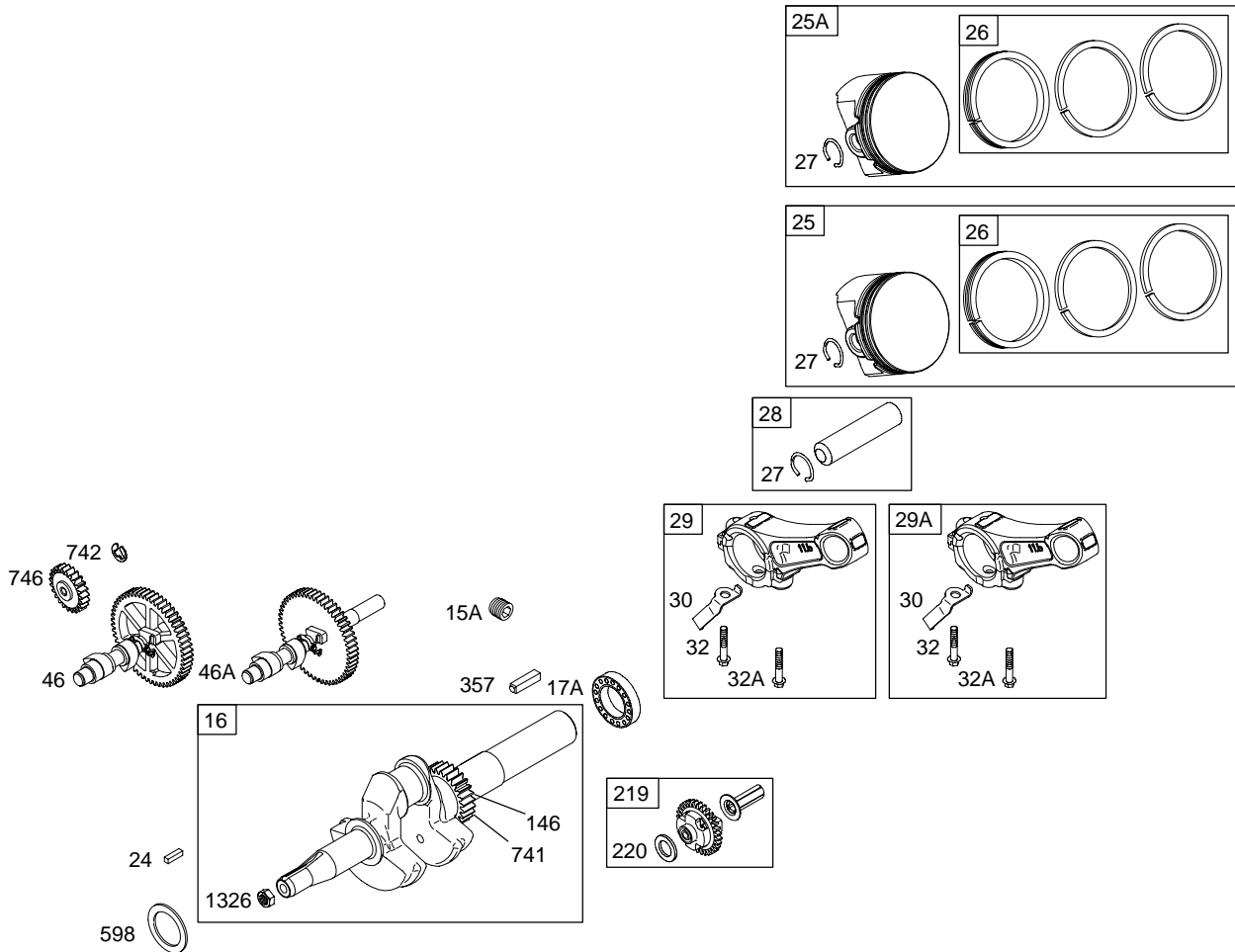
COPYRIGHT by BRIGGS & STRATTON CORPORATION
 All rights reserved. No part of this material may be reproduced or transmitted,
 in any form or by any means, electronic or mechanical, including photocopying,
 recording or by any information storage and retrieval system, without permission
 in writing from Briggs & Stratton Corporation.

123400 to 123499

- 1019 LABEL KIT
- 1019A LABEL KIT
- 1058 OWNER'S MANUAL

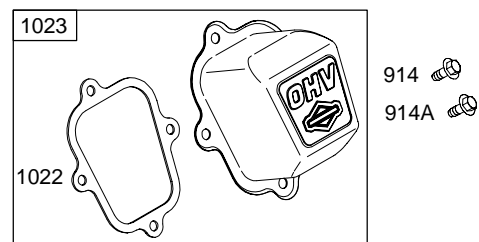
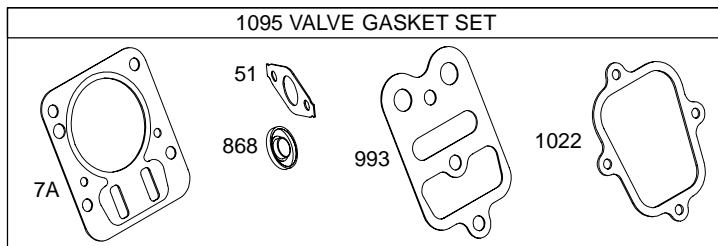
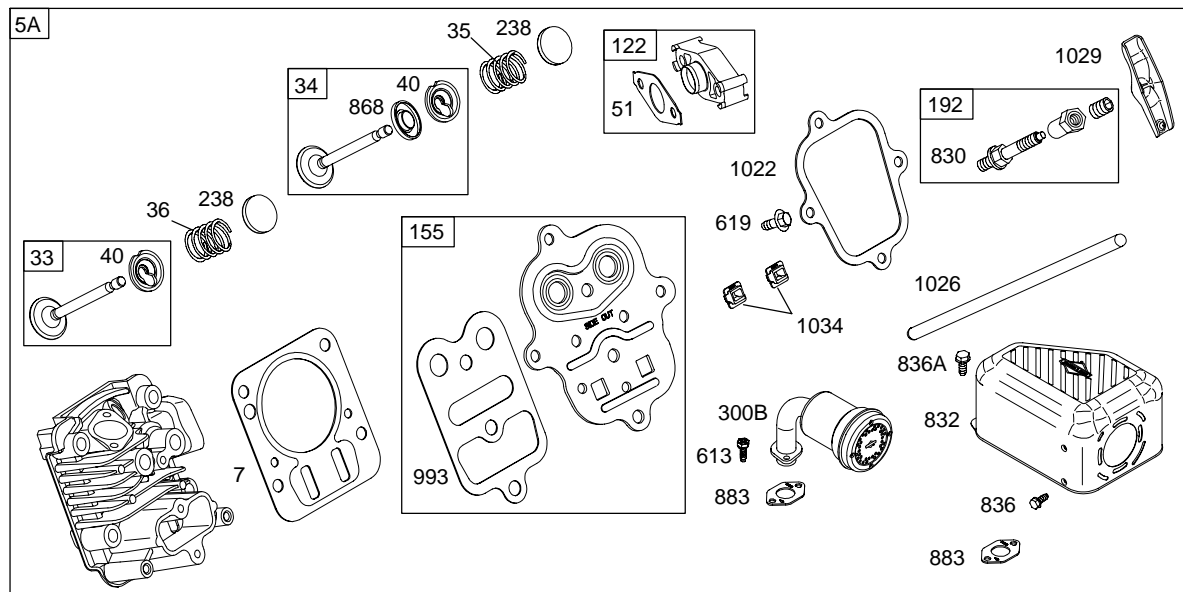
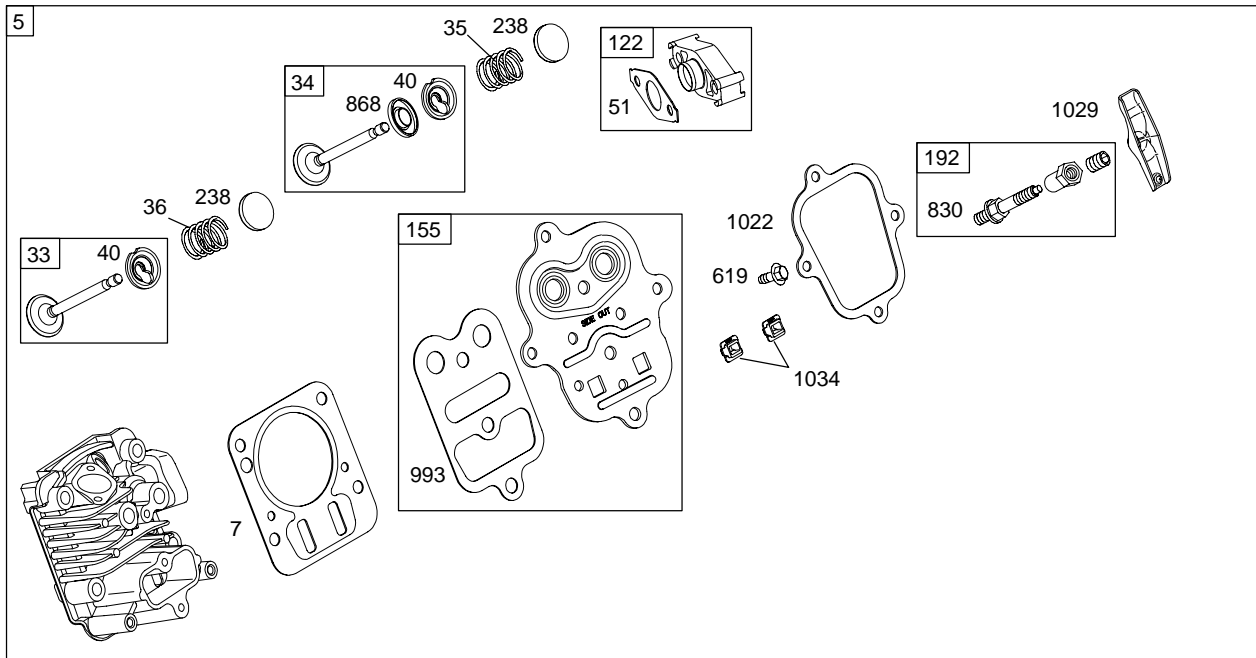
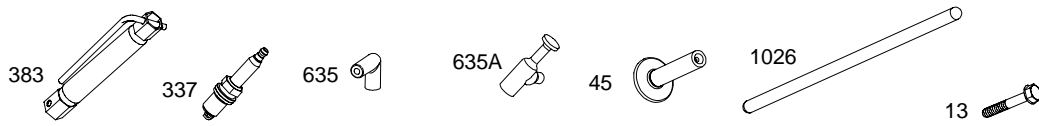


Illustrations cover a range of engines. Parts shown without corresponding text may not be used on your specific engine.
 5411-1 Assemblies include all parts shown in frames. 05/30/2003



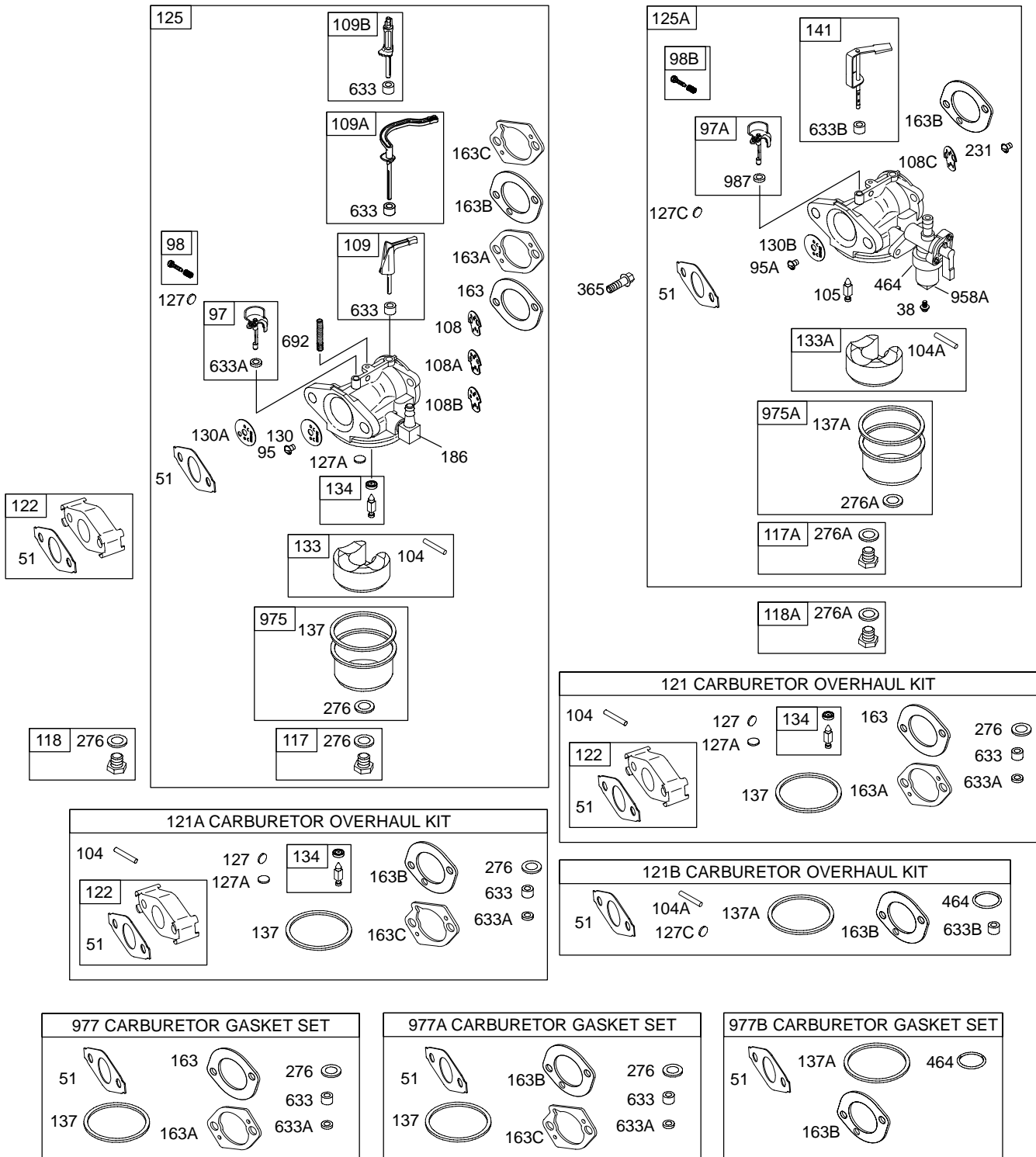
Illustrations cover a range of engines. Parts shown without corresponding text may not be used on your specific engine.
5411-1 Assemblies include all parts shown in frames. 05/30/2003

123400 to 123499



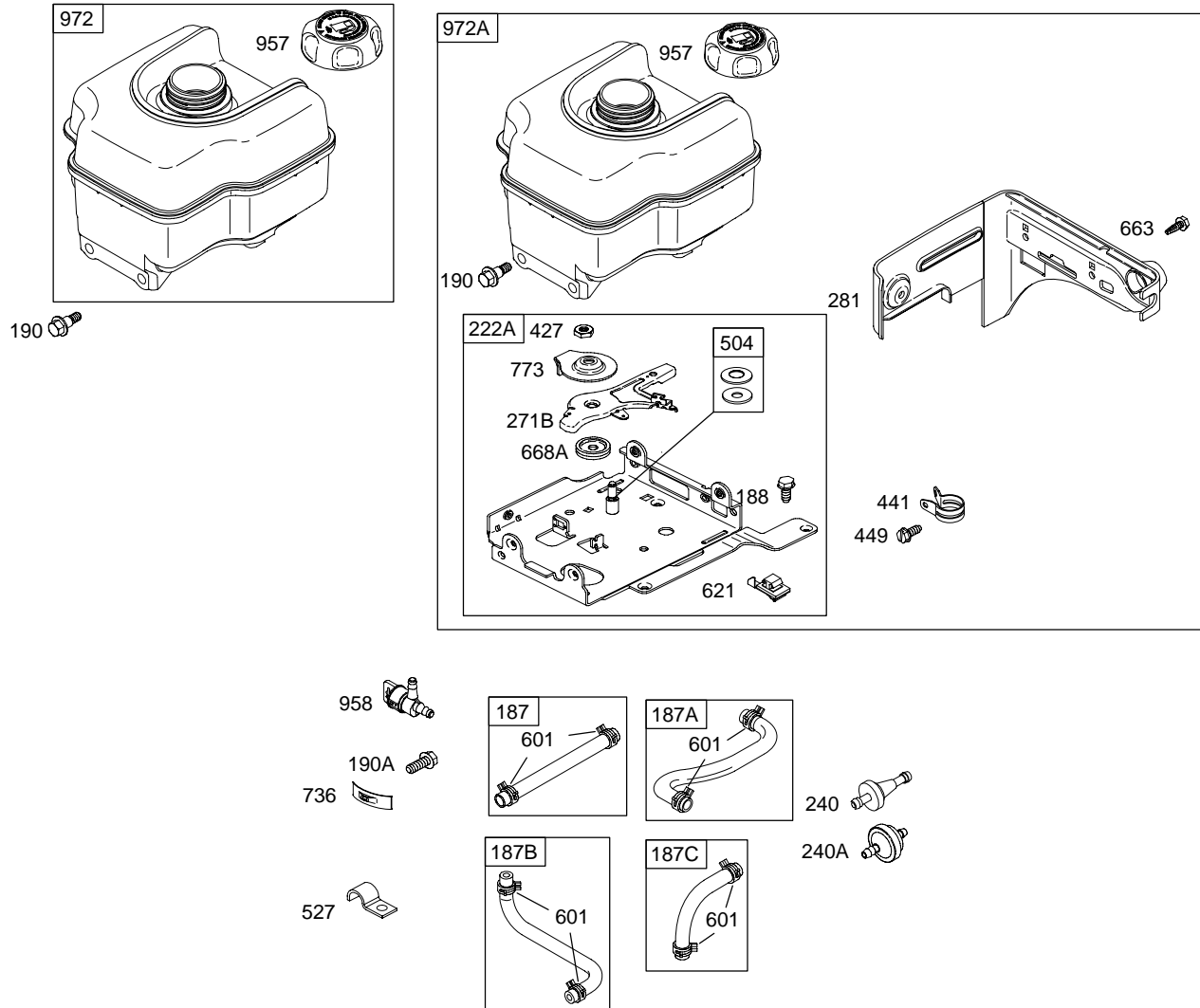
Illustrations cover a range of engines. Parts shown without corresponding text may not be used on your specific engine.
 5411-1 Assemblies include all parts shown in frames. 05/30/2003

**NOTE: This Illustration Represents A Number Of Different Carburetors.
Parts Shown May Not Be Included In All Kits**



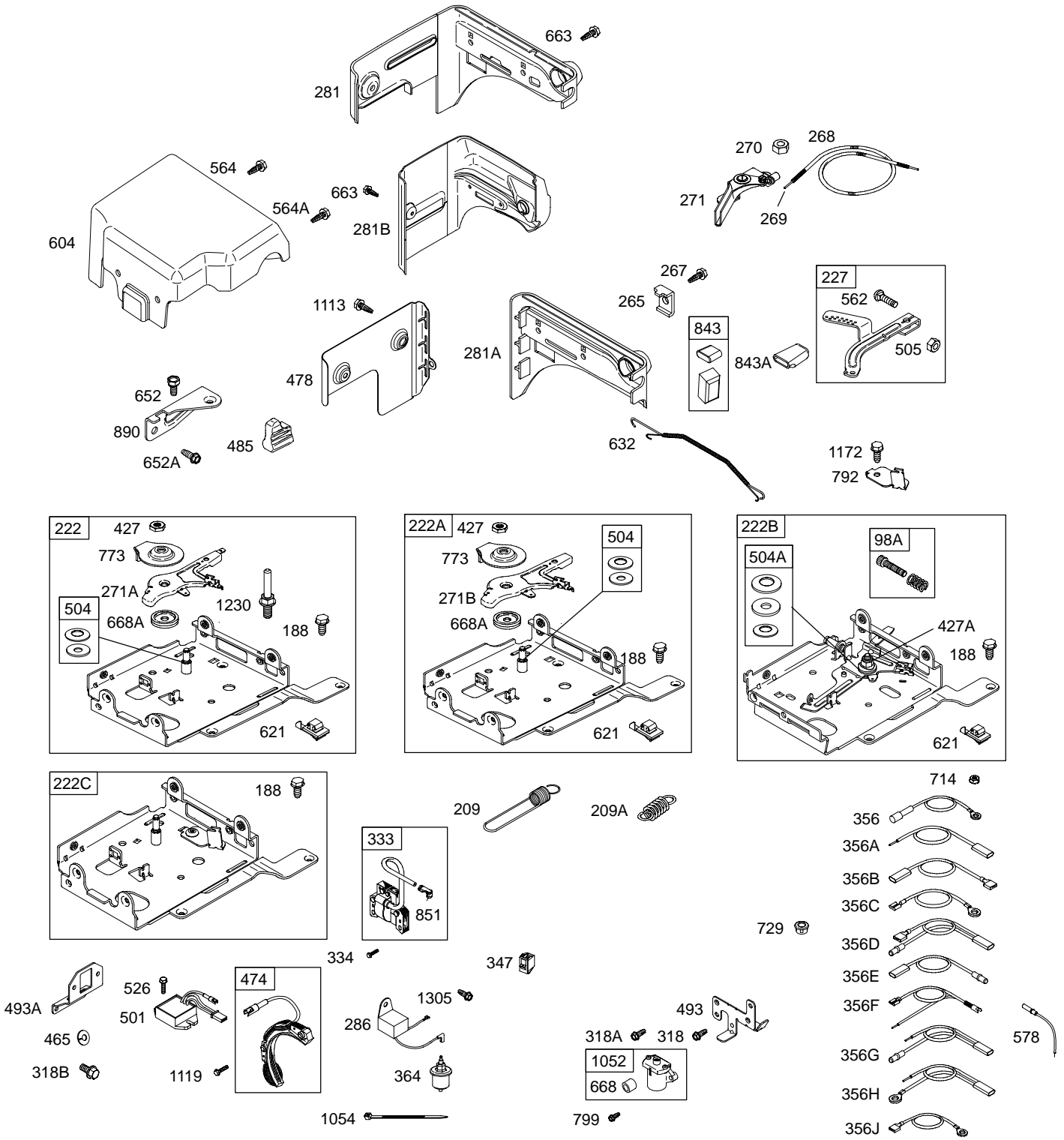
Illustrations cover a range of engines. Parts shown without corresponding text may not be used on your specific engine. Assemblies include all parts shown in frames.

123400 to 123499



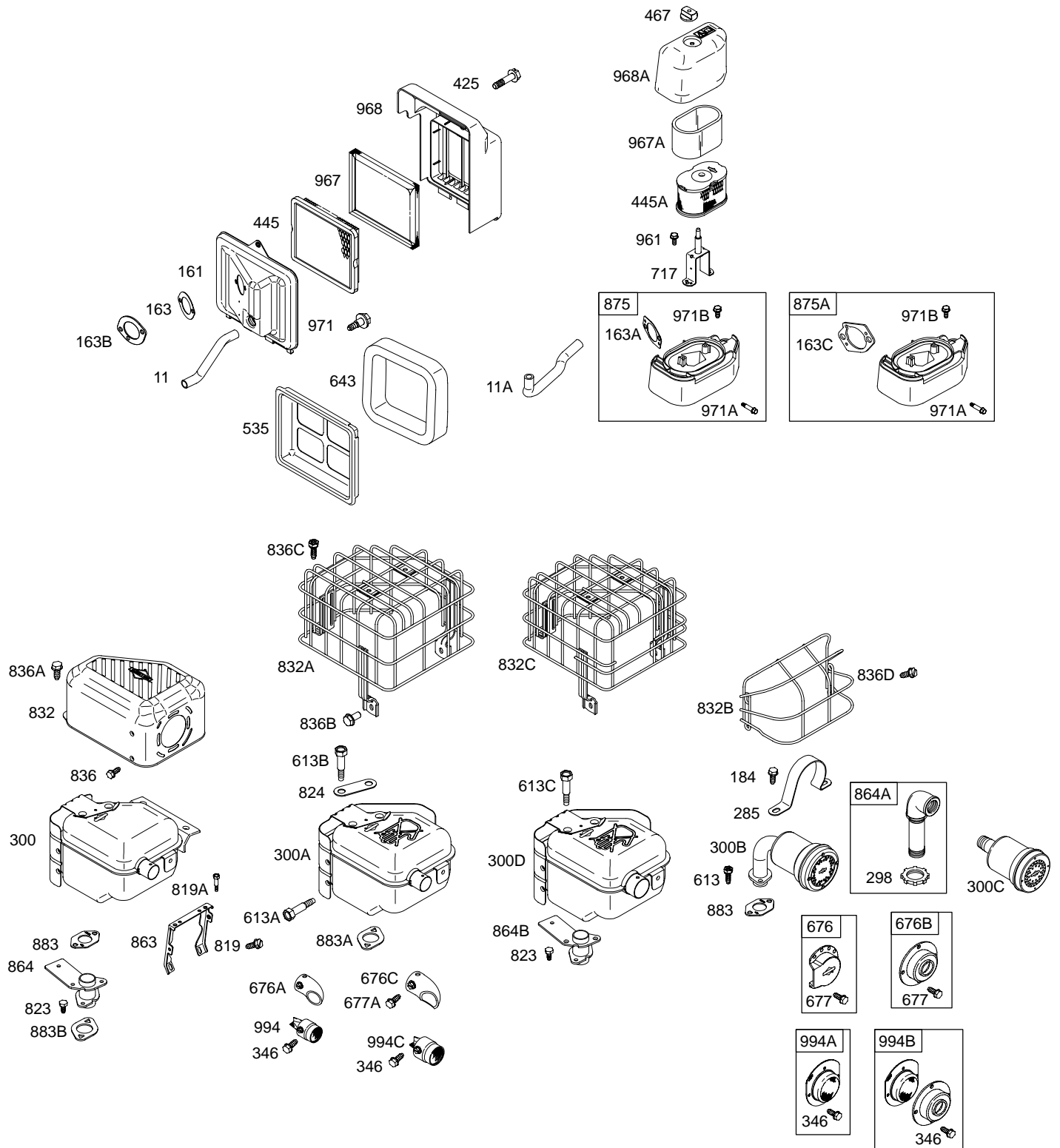
Illustrations cover a range of engines. Parts shown without corresponding text may not be used on your specific engine.
5411-1 Assemblies include all parts shown in frames. 05/30/2003

123400 to 123499



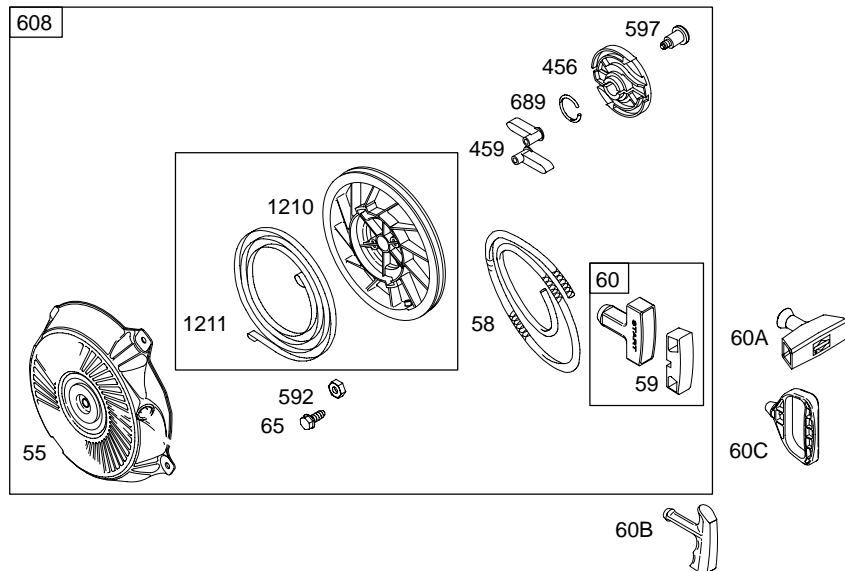
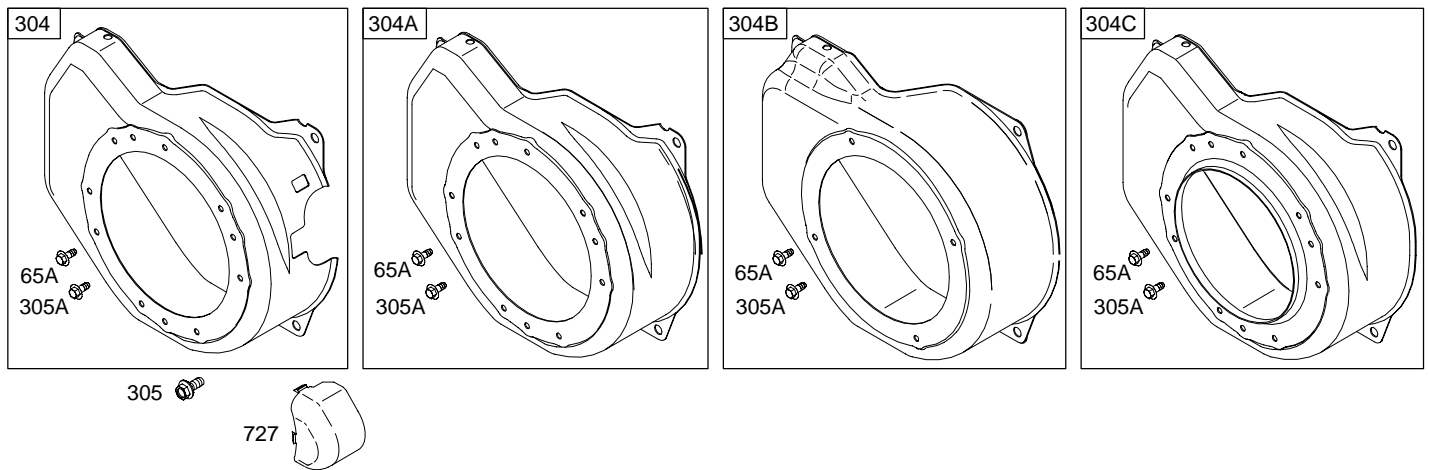
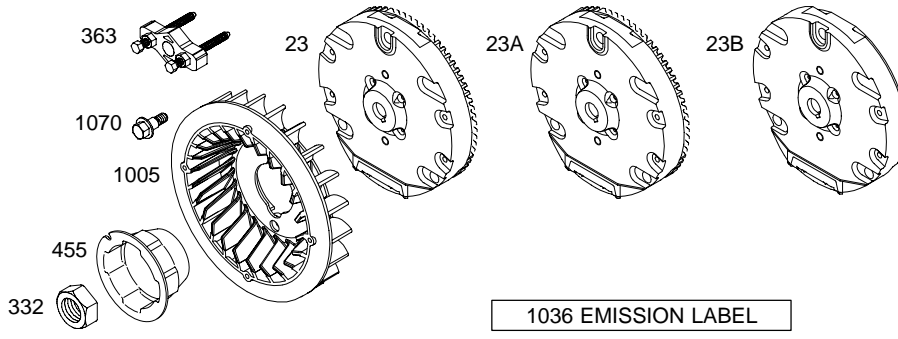
Illustrations cover a range of engines. Parts shown without corresponding text may not be used on your specific engine.
 5411-1 Assemblies include all parts shown in frames. 05/30/2003

123400 to 123499



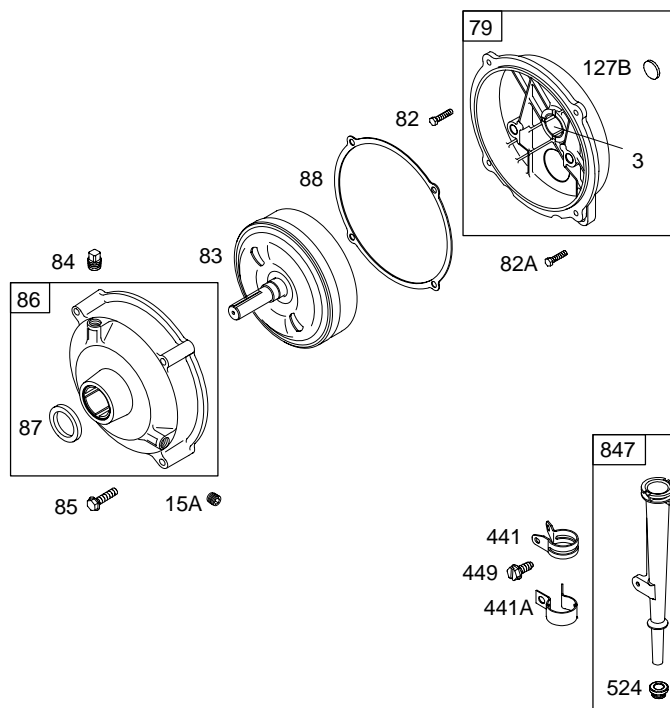
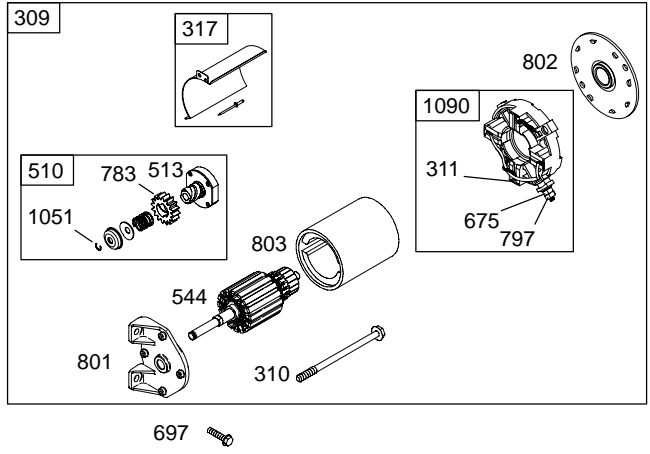
Illustrations cover a range of engines. Parts shown without corresponding text may not be used on your specific engine.
 5411-1 Assemblies include all parts shown in frames. 05/30/2003

123400 to 123499



Illustrations cover a range of engines. Parts shown without corresponding text may not be used on your specific engine.
 5411-1 Assemblies include all parts shown in frames. 05/30/2003

123400 to 123499



Illustrations cover a range of engines. Parts shown without corresponding text may not be used on your specific engine.
 5411-1 Assemblies include all parts shown in frames. 05/30/2003

123400 to 123499

REF. NO.	PART NO.	DESCRIPTION	REF. NO.	PART NO.	DESCRIPTION	REF. NO.	PART NO.	DESCRIPTION	
1	698483	Cylinder Assembly (Used After Code Date 02101600). Note ——— 698225 Cylinder Assembly (Used After Code Date 02011400 and Before Code Date 02101700). 690045 Cylinder Assembly (Used Before Code Date 02011500). 696253 Cylinder Assembly Cast Iron Piston Bore, DU Bearing, Electric Start Engines Used on Type No(s). 0050, 0119, 0137, 0138, 0168.		693594	Crankshaft (Used Before Code Date 03060800). Used on Type No(s). 0035. 69444 Crankshaft (Used After Code Date 03060800). Used on Type No(s). 0049, 0120, 0150. 694439 Crankshaft (Used Before Code Date 03060900). Used on Type No(s). 0049, 0120, 0150. 699442 Crankshaft (Used After Code Date 03060800). Used on Type No(s). 0057, 0140, 0143. 694450 Crankshaft (Used Before Code Date 03060900). Used on Type No(s). 0057, 0140, 0143. 699451 Crankshaft (Used After Code Date 03060800). Used on Type No(s). 0118. 695763 Crankshaft (Used Before Code Date 03060900). Used on Type No(s). 0118. 699449 Crankshaft (Used After Code Date 03060800). Used on Type No(s). 0267. 693595 Crankshaft (Used Before Code Date 03060900). Used on Type No(s). 0267.		18A	690047	Cover-Crankcase
						18C	695290	Cover-Crankcase Used on Type No(s). 0120.	
						20	★692550	Seal-Oil (PTO Side)	
						20B	★694171	Seal-Oil (PTO Side)	
						21	281658	Cap-Oil Fill	
						22	692551	Screw (Crankcase Cover/Sump)	
						23	694902	Flywheel (Electric Start)	
						23A	695298	Flywheel (Electric Start) Used on Type No(s). 0168.	
						23B	692987	Flywheel (Rewind Start)	
2	399269	Kit-Bushing/Seal (Magneto Side)				24	222698	Key-Flywheel	
3	★299819	Seal-Oil (Magneto Side)				25	499627	Piston Assembly (Standard) Note ——— 692788 Piston Assembly (.010" Oversize) 692789 Piston Assembly (.020" Oversize) 692790 Piston Assembly (.030" Oversize)	
5	693643	Head-Cylinder							
7	698210	Gasket-Cylinder Head							
11A	693647	Tube-Breather (High Mount Air Cleaner)				26	499631	Ring Set (Standard) Note ——— 692785 Ring Set (.010" Oversize) 692786 Ring Set (.020" Oversize) 692787 Ring Set (.030" Oversize)	
12	★692549	Gasket-Crankcase							
13	691137	Screw (Cylinder Head)							
15	691686	Plug-Oil Drain							
15A	691682	Plug-Oil Drain (Flush)							
16	699443	Crankshaft (Used After Code Date 03060800). Note ——— 693403 Crankshaft (Used Before Code Date 03060900). 699441 Crankshaft (Used After Code Date 03060800). Used on Type No(s). 0035.	17	692517	Bearing-Ball				
			18	693204	Cover-Crankcase Used on Type No(s). 0049, 0176.				
						27	691866	Lock-Piston Pin	
						28	499423	Pin-Piston	
						29	690124	Rod-Connecting (3.287" Between Bearing Centerlines)	

★ Included in Engine Gasket Set-Ref. No.358.

● Included in Carburetor Overhaul Kit-Ref. No. 121.

◆ Included in Carburetor Gasket Set-Ref. No. 977.

⊘ Included in Valve Gasket Set-Ref. No 1095.

Illustrations cover a range of engines. Parts shown without corresponding text may not be used on your specific engine.

123400 to 123499

REF. NO.	PART NO.	DESCRIPTION	REF. NO.	PART NO.	DESCRIPTION	REF. NO.	PART NO.	DESCRIPTION
30	692562	Dipper-Connecting Rod	95	691636	Screw (Throttle Valve)	125	698475	Carburetor (Used After Code Date 02103100).
32	691664	Screw (Connecting Rod) (1 5/64" Long)	97	690024	Shaft-Throttle			Note
32A	695759	Screw (Connecting Rod) (1 1/2" Long) (Used After Code Date 00042200).	98	398185	Kit-Idle Speed			693518 Carburetor (Used Before Code Date 02110100).
33	499642	Valve-Exhaust	104	691242	Pin-Float Hinge			694928 Carburetor Used on Type No(s). 0140, 0143.
34	499641	Valve-Intake	108A	691182	Valve-Choke (.223" Diameter Holes, Stamped 223471)	127	691739	Plug-Welch (5/16" Diameter)
35	691304	Spring-Valve (Intake)	108B	692567	Valve-Choke (.156" Diameter Holes, Stamped 224449) Used on Type No(s). 0140, 0143.	127A	694468	Plug-Welch (3/8" Diameter) Used on Type No(s). 0140, 0143.
36	691304	Spring-Valve (Exhaust)	109B	693628	Shaft-Choke (No Handle)	127B	691585	Plug-Welch (7/8" Diameter)
40	692194	Retainer-Valve	117	698344	Jet-Main (Standard) (Used After Code Date 02103100).	130	691181	Valve-Throttle (3 Holes)
45	690977	Tappet-Valve			Note	130A	691203	Valve-Throttle (4 Holes) Used on Type No(s). 0140, 0143.
46	693404	Camshaft			690048 Jet-Main (Used Before Code Date 02110100).	133	398187	Float-Carburetor
51	692555	Gasket-Intake (2 Required)			498976 Jet-Main (Standard) Used on Type No(s). 0140, 0143.	134	398188	Kit-Needle/Seat
55	691422	Housing-Rewind Starter	118	694176	Jet-Main (High Altitude) (Used After Code Date 02103100).	137	693981	Gasket-Float Bowl
58	693389	Rope-Starter (Cut to Required Length)			Note	146	690979	Key-Timing
59	805957	Insert-Grip			493763 Jet-Main (High Altitude) (Used Before Code Date 02110100).	155	698214	Plate-Cylinder Head
60	715257	Grip-Starter Rope (2 Piece)			498977 Jet-Main (High Altitude) Used on Type No(s). 0140, 0143.	163A	693458	Gasket-Air Cleaner (High Mount) (Used Before Code Date 02110100).
65	690837	Screw (Rewind Starter)				163C	696979	Gasket-Air Cleaner (High Mount) (Used After Code Date 02103100).
65A	692608	Screw (Rewind Starter)				186	692317	Connector-Hose
79	694511	Case-Gear Reduction	121	695157	Kit-Carburetor Overhaul	187	691050	Line-Fuel (Straight) (Cut to Required Length)
82	690369	Screw (Gear Reduction Case) (7/8" Long)	121A	696998	Kit-Carburetor Overhaul (High Vent)	187C	694486	Line-Fuel (Molded)
82A	691122	Screw (Gear Reduction Case) (1/2" Long)	122	693749	Spacer-Carburetor	188	690877	Screw (Control Bracket)
83	690374	Shaft-Auxiliary Drive				190	692127	Screw (Fuel Tank)
84	691121	Plug-Breather (Extruded Square Head)				190A	690877	Screw (Fuel Tank)
85	692551	Screw (Gear Cover To Gear Reduction Case)				192	694543	Adjuster-Rocker Arm
86	690608	Cover-Gear						
87	691582	Seal-Gear Reduction						
88	691600	Gasket-Gear Reduction Cover						

★ Included in Engine Gasket Set-Ref. No.358.

● Included in Carburetor Overhaul Kit-Ref. No. 121.

◆ Included in Carburetor Gasket Set-Ref. No. 977.

⊗ Included in Valve Gasket Set-Ref. No 1095.

Illustrations cover a range of engines. Parts shown without corresponding text may not be used on your specific engine.

123400 to 123499

REF. NO.	PART NO.	DESCRIPTION	REF. NO.	PART NO.	DESCRIPTION	REF. NO.	PART NO.	DESCRIPTION
209	692571	Spring–Governor (Silver) Note 693206 Spring–Governor (Yellow) Used on Type No(s). 0035, 0118, 0178. 693710 Spring–Governor (Black) Used on Type No(s). 0170.	286	698611	Module–Oil Sensor (Used After Code Date 03010500). Note 698316 Module–Oil Sensor (Electric Start) (Used Before Code Date 03010600). 698317 Module–Oil Sensor (Rewind Start) (Used Before Code Date 03010600).			697911 Housing–Blower (Used After Code Date 02021400 and Before Code Date 03030300). Used on Type No(s). 0035, 0036, 0049, 0057, 0101, 0105, 0118, 0120, 0135, 0136, 0140, 0141, 0143, 0144, 0146. 695300 Housing–Blower (Used Before Code Date 02021500). Used on Type No(s). 0168.
209A	691278	Spring–Governor	300A	694429	Muffler (Super Lo Tone) (Used Before Code Date 02031800).	304A	693621	Housing–Blower (Used Before Code Date 02021500). Used on Type No(s). 0035, 0036, 0038, 0049, 0057, 0101, 0105, 0118, 0120, 0135, 0136, 0140, 0141, 0143, 0144, 0146.
219	693578	Gear–Governor	300B	693593	Muffler (Lo Tone)	305	690960	Screw (Blower Housing)
220	691724	Washer (Governor Gear)	300D	697813	Muffler (Used After Code Date 02031700).	305A	691140	Screw (Blower Housing)
222A	694253	Bracket–Control	304	697912	Housing–Blower (Black) (Used After Code Date 02021400). Used on Type No(s). 0050, 0119, 0121, 0137, 0138, 0150, 0168, 0170, 0177, 0178. Note 695299 Housing–Blower (Used Before Code Date 02021500). Used on Type No(s). 0050, 0119, 0121, 0137, 0138, 0150, 0170.	306	693610	Shield–Cylinder
227	692573	Lever–Governor Control				307	690345	Screw (Cylinder Shield)
238	691300	Cap–Valve				309	694504	Motor–Starter
240	694485	Filter–Fuel (Conical)				310	690323	Bolt (Starter Motor)
265	691024	Clamp–Casing				311	497608	Brush Set
267	692577	Screw (Casing Clamp)				318A	690370	Screw (Mounting Bracket)
268	691072	Casing–Control Wire (48" Long) (Cut to Required Length)				318B	691678	Screw (Mounting Bracket) (Used on Type No(s). 0177.
269	691589	Wire–Control (54" Long) (Cut to Required Length)						
270	691027	Nut (Control Wire Casing)						
271	691028	Lever–Control						
271B	694256	Lever–Control						
276	271716	Washer–Sealing						
281	694252	Panel–Control (Used After Code Date 99070400).						
281A	693407	Panel–Control (Used Before Code Date 99070500).						

* Included in Engine Gasket Set–Ref. No. 358.

● Included in Carburetor Overhaul Kit–Ref. No. 121.

◆ Included in Carburetor Gasket Set–Ref. No. 977.

⊘ Included in Valve Gasket Set–Ref. No. 1095.

Illustrations cover a range of engines. Parts shown without corresponding text may not be used on your specific engine.

123400 to 123499

REF. NO.	PART NO.	DESCRIPTION	REF. NO.	PART NO.	DESCRIPTION	REF. NO.	PART NO.	DESCRIPTION
332	690662	Nut (Flywheel)	356D	693651	Stop Wire (2 Wires, 14" And 10" Long)(Snap Connect Insulated Female Blade Terminal, Insulated Push-On Female Blade Terminal And Snap Connect Insulated Female Blade Terminal)	467	691668	Knob–Air Cleaner
333	695711	Armature–Magneto	356J	692603	Wire–Stop (1 Wire, 6–1/2" Long) (Push–On Insulated Female Blade Terminal, And Ring Terminal)	474	694457	Alternator (1.5 Amps DC) Note 695730 Alternator (3 Amps DC) Used on Type No(s). 0121.
334	691061	Screw (Magneto Armature)	357	692191	Key–Flywheel	478	693709	Panel
337	491055	Plug–Spark Note 691043 Plug–Spark Used on Type No(s). 0057, 0105, 0119, 0140, 0141, 0178.	358	695155	Gasket Set–Engine	493	693599	Bracket–Mounting
347	697854	Switch–Rocker (3 Tines, No ON/OFF Marking, 3 Position, Non–Lighted) Note 692599 Switch–Rocker (2 Tines, ON/OFF Marking, 2 Position, Non–Lighted) Used on Type No(s). 0118, 0136, 0168, 0178.	358A	697000	Gasket Set–Engine (High Vent)	493A	699048	Bracket–Mounting
356	693650	Wire–Stop (1 Wire, 6–1/4" Long) (Ring Terminal, And Push–On Insulated Pin Socket)	363	19069	Puller–Flywheel	501	698315	Regulator Used on Type No(s). 0177.
356A	692390	Stop Wire (1 Wire, 17" Long) (Snap Connect Insulated Female Blade Terminal, And Bare Wire End)	364	695693	Terminal–Oil Plug	504	694254	Washer Set–Friction
356B	692602	Stop Wire (1 Wire, 14" Long) (Snap Connect Insulated Female Blade Terminal, And Insulated Push–On Female Blade Terminal)	365	692568	Screw (Carburetor)	505	691251	Nut (Governor Control Lever)
356C	695630	Stop Wire (1 Wire, 6–1/2" Long) (Push–On Female Blade Terminal, And Ring Terminal)	383	19374	Wrench–Spark Plug	510	499308	Drive–Starter
			415	693463	Plug (Crankcase Cover)	513	692024	Clutch–Drive
			427	694255	Nut (Control Bracket)	523	693618	Dipstick
			441	694262	Bracket–Oil Fill (Used After Code Date 99070400).	524	281370	Seal–Dipstick Tube
			441A	693616	Bracket–Oil Fill (Used Before Code Date 99070500).	529	692553	Grommet (Used Before Code Date 98072000). Used on Type No(s). 0036.
			445A	697029	Filter–Air Cleaner Cartridge	544	692966	Armature–Starter
			449	691693	Screw (Oil Fill Bracket)	552	692346	Bushing–Governor Crank
			455	692591	Cup–Flywheel	562	94852	Bolt (Governor Control Lever)
			456	692299	Plate–Pawl Friction	592	690800	Nut (Rewind Starter)
			459	281505	Pawl–Ratchet	597	691696	Screw (Pawl Friction Plate)
			465	691075	Washer (Mounting Bracket) Used on Type No(s). 0177.	598	220624	Shim–Endplay

* Included in Engine Gasket Set–Ref. No.358.

● Included in Carburetor Overhaul Kit–Ref. No. 121.

◆ Included in Carburetor Gasket Set–Ref. No. 977.

⊘ Included in Valve Gasket Set–Ref. No 1095.

Illustrations cover a range of engines. Parts shown without corresponding text may not be used on your specific engine.

123400 to 123499

REF. NO.	PART NO.	DESCRIPTION	REF. NO.	PART NO.	DESCRIPTION	REF. NO.	PART NO.	DESCRIPTION
601	95162	Clamp-Hose	676C	697816	Deflector-Muffler (Used After Code Date 02031700). Used on Type No(s). 0119, 0121, 0140, 0141, 0150, 0170.	832A	694459	Guard-Muffler (Used With Super Lo Tone Muffler) (Used Before Code Date 02031800).
608	693394	Starter-Rewind				832C	697818	Guard-Muffler (Used After Code Date 02031700).
613	691665	Screw (Muffler)				836	690661	Screw (Muffler Guard) (3/8" Long)
613A	694460	Screw (Muffler)	677A	691627	Screw (Muffler Deflector) Used on Type No(s). 0119,0121, 0140, 0141, 0150, 0170.	836A	693624	Screw (Muffler Guard) (9/16" Long)
613B	691108	Screw (Muffler) (9/16" Long)				836B	691003	Screw (Muffler Guard) (7/16" Long)
613C	697812	Screw (Muffler) (Used After Code Date 02031700).	689	691855	Spring-Friction (Rewind Starter)	836C	691665	Screw (Muffler Guard) (5/8" Long)
615	692576	Retainer-Governor Shaft	692	690572	Spring-Detent (Choke)	842	691031	Seal-O Ring (Dipstick Tube)
616	692547	Crank-Governor	697	690372	Screw (Drive Cap)	843	694061	Sleeve-Lever
619	691108	Screw (Cylinder Head Plate)	717	693462	Bracket-Air Cleaner	843A	695588	Sleeve-Lever Used on Type No(s). 0176, 0177, 0267.
621	692310	Switch-Stop	718	690959	Pin-Locating	847	693617	Dipstick/Tube Assembly
632	693408	Spring/Link-Mechanical Governor (Control Panel)	727	694467	Cover-Starter Drive	851	493880	Terminal-Spark Plug
633	◆693867	Seal-Choke/Throttle Shaft	729	694371	Clip-Wire	863	692596	Bracket-Muffler
633A	◆691321	Seal-Choke/Throttle Shaft	736	693560	Nut-Clip	864	694430	Adapter-Muffler (Used Before Code Date 02031800).
635	692076	Boot-Spark Plug	741	695087	Gear-Timing	864B	697814	Adapter-Muffler (Used After Code Date 02031700).
635A	692927	Boot-Spark Plug (With Handle)	742	692564	Retainer-E Ring	868	★∅692044	Seal-Valve
652	691108	Screw (Support Bracket) (9/16" Long)	746	692566	Gear-Idler	875	693459	Base-Air Cleaner (Used Before Code Date 02110100).
652A	695629	Screw (Support Bracket) (7/16" Long)	773	694258	Retainer (Control Bracket)	875A	697030	Base-Air Cleaner (High Vent) (Used After Code Date 02103100).
663	694593	Screw (Control Panel)	783	692353	Gear-Pinion	883	691893	Gasket-Exhaust (Cylinder Head Side)
668	693604	Spacer (Oil Sensor)	792	694259	Bracket-Fixed Speed	883A	697815	Gasket-Exhaust (Used After Code Date 02031700).
668A	694257	Spacer (Control Bracket)	797	691029	Nut (Brush Retainer)	890	694933	Bracket-Support
675	691261	Washer (Brush Retainer)	799	693609	Screw (Oil Sensor)			
676A	696029	Deflector-Muffler (Side Out, Super Lo Tone) (Used Before Code Date 02031800). Used on Type No(s). 0119, 0121, 0140, 0141, 0150, 0170.	801	694482	Cap-Drive			
			802	691286	Cap-End			
			803	693757	Housing-Starter			
			819	691685	Screw (Muffler Bracket)			
			819A	691108	Screw (Muffler Bracket)			
			823	691665	Screw (Muffler Adapter)			
			824	696017	Gasket-Heat Shield			
			830	694544	Stud (Rocker Arm)			
			832	693583	Guard-Muffler (Used With Lo Tone Muffler)			

★ Included in Engine Gasket Set-Ref. No.358.

● Included in Carburetor Overhaul Kit-Ref. No. 121.

◆ Included in Carburetor Gasket Set-Ref. No. 977.

∅ Included in Valve Gasket Set-Ref. No 1095.

Illustrations cover a range of engines. Parts shown without corresponding text may not be used on your specific engine.

123400 to 123499

REF. NO.	PART NO.	DESCRIPTION	REF. NO.	PART NO.	DESCRIPTION	REF. NO.	PART NO.	DESCRIPTION
914	692198	Screw (Rocker Cover) (7/16" Long)	971B	691693	Screw (Air Cleaner Base) (3/8" Long)			696766 Label– Emission (Used Before Code Date 01100900 and After Code Date 01072300).
914A	697551	Screw (Rocker Cover) (Used After Code Date 02031700).	972	694260	Tank–Fuel (Used After Code Date 99070400).			695041 Label– Emission (Used Before Code Date 01072400 and After Code Date 99093000).
		Note	972A	694263	Tank–Fuel (Used Before Code Date 99070500).			694451 Label– Emission (Used Before Code Date 01072400 and After Code Date 99093000).
		692557 Screw (Rocker Cover) (Used Before Code Date 02031800).	975	493640	Bowl–Float			693203 Label– Emission (Used Before Code Date 99100100 and After Code Date 98123100).
957	694261	Cap–Fuel Tank (Used After Code Date 99070400).	977	695156	Gasket Set–Carburetor			
		Note	977A	697001	Gasket Set–Carburetor (High Vent)			
		493988 Cap–Fuel Tank (Used Before Code Date 99070500).	993	694088	Gasket–Cylinder Head Plate			
958	692586	Valve–Fuel Shut Off	994	690813	Arrester–Spark (Used Before Code Date 02031800). Used on Type No(s). 0136, 0137.			
961	698304	Screw (Air Cleaner Bracket) (Used After Code Date 02080400).	994C	697817	Arrester–Spark (Used After Code Date 02031700). Used on Type No(s). 0136, 0137, 0178.	1051	691265	Ring–Retaining (Starter Drive)
		Note				1052	693805	Sensor–Oil
		693598 Screw (Air Cleaner Bracket) (Used Before Code Date 02080500).	1005	692592	Fan–Flywheel	1054	280275	Tie–Cable
967A	273356	Filter–Pre Cleaner (High Mount)	1019A	694852	Kit–Label	1058	275092	Owner's Manual (Emission Engines)
968A	693460	Cover–Air Cleaner (High Mount)	1022	691890	Gasket–Rocker Cover	1070	692590	Screw (Flywheel Fan)
971A	690349	Screw (Air Cleaner Base) (1–3/8" Long)	1023	499924	Cover–Rocker	1090	691293	Retainer–Brush
			1026	693517	Rod–Push	1095	695289	Set–Valve Gasket
			1029	691230	Arm–Rocker	1113	692577	Screw (Panel)
			1034	691343	Guide–Push Rod	1119	691183	Screw (Alternator)
			1036	697004	Label–Emission (Used After Code Date 01100800).	1172	691676	Screw (Fixed Speed Bracket)
					Note	1210	498144	Pulley/Spring Assembly (Pulley)
						1211	498144	Pulley/Spring Assembly (Spring)

* Included in Engine Gasket Set–Ref. No. 358.

● Included in Carburetor Overhaul Kit–Ref. No. 121.

◆ Included in Carburetor Gasket Set–Ref. No. 977.

∅ Included in Valve Gasket Set–Ref. No. 1095.

Illustrations cover a range of engines. Parts shown without corresponding text may not be used on your specific engine.