



120500

Illustrated Parts List

Model Series

120500

TYPE NUMBERS
0015 through 0354.

TABLE OF CONTENTS

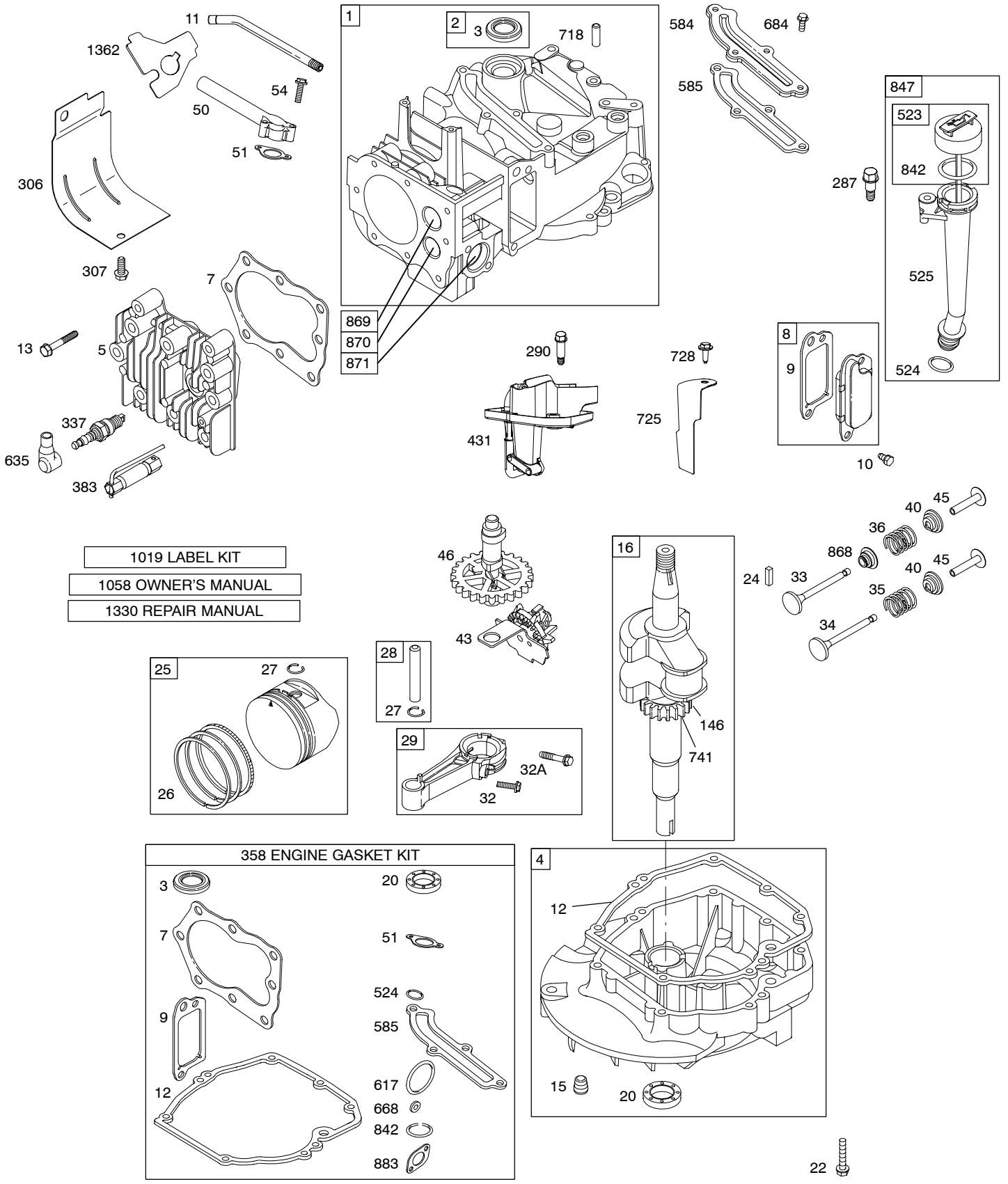
- Blower Housing/Shrouds** 4
- Camshaft** 2
- Carburetor** 3
- Controls** 4
- Crankshaft** 2
- Cylinder** 2
- Electrical** 4
- Engine Sump** 2
- Exhaust System** 4
- Flywheel** 4
- Fuel Supply** 3
- Governor Spring** 4
- Ignition** 4
- Kits/Gaskets** 2 & 3
- Lubrication** 2
- Piston Group** 2
- Rewind Starter** 4
- Valves** 2



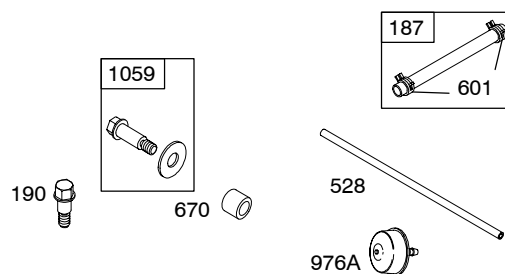
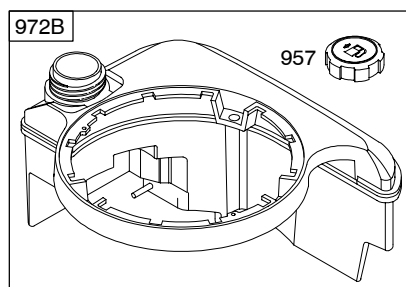
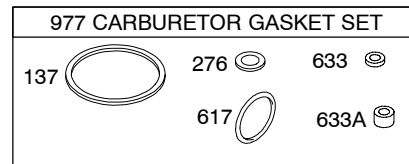
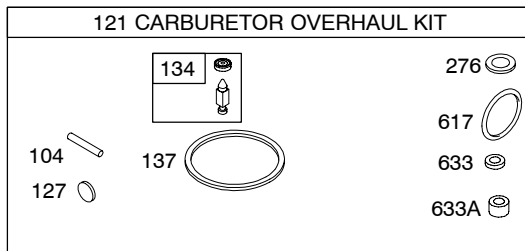
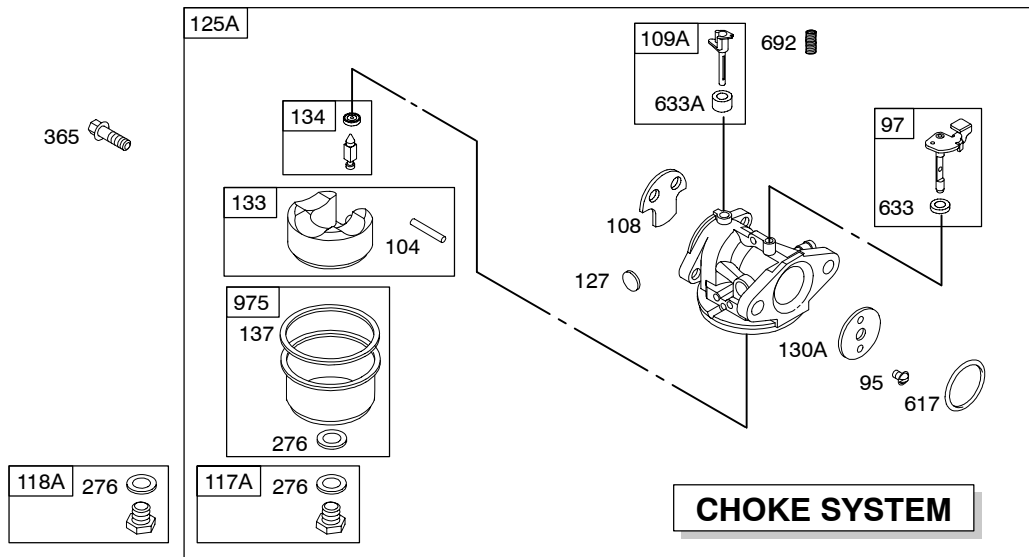
PRINTED IN U.S.A.

COPYRIGHT by BRIGGS & STRATTON CORPORATION
All rights reserved. No part of this material may be reproduced or transmitted, in any form or by any means, electronic or mechanical, including photocopying, recording or by any information storage and retrieval system, without permission in writing from Briggs & Stratton Corporation.

120500

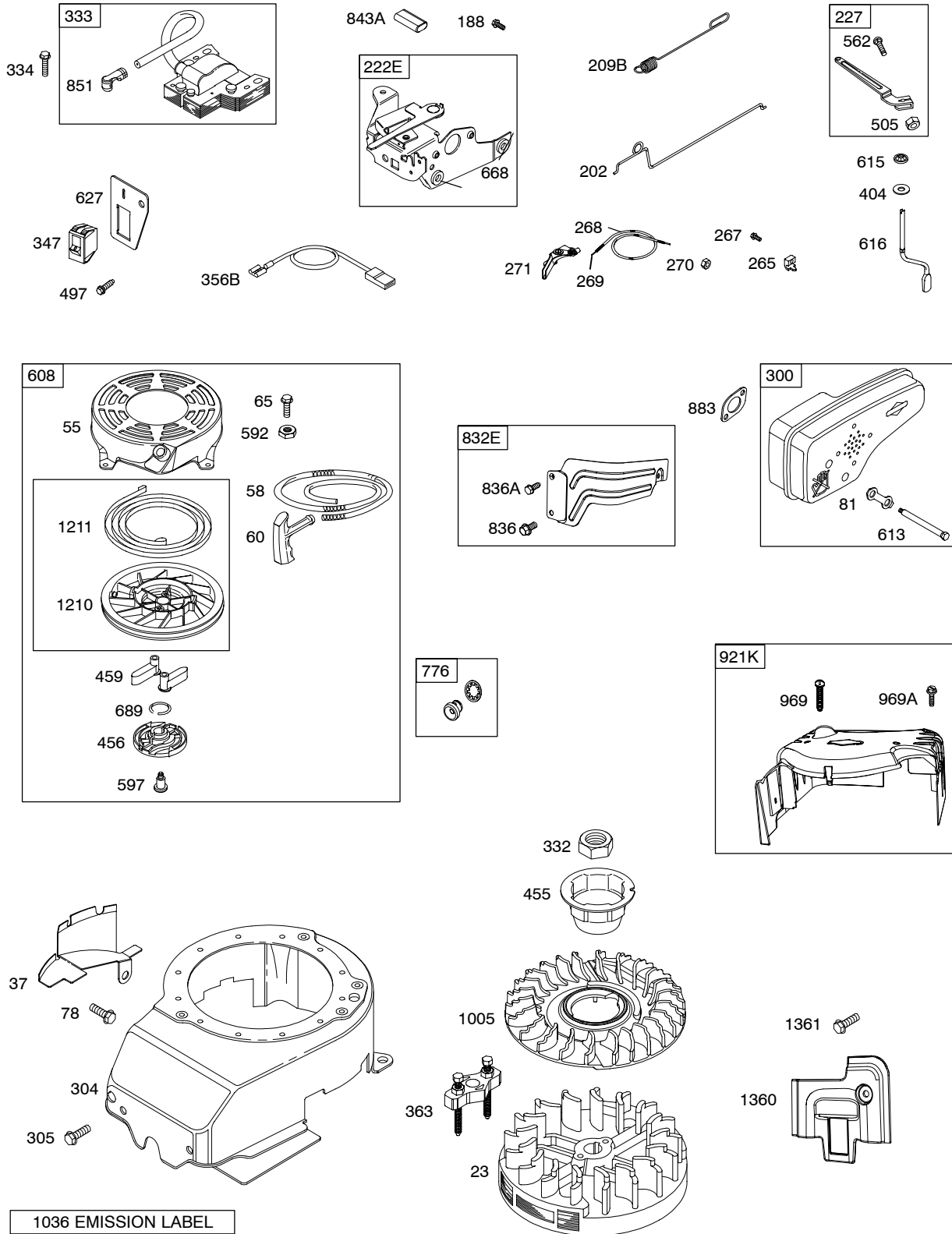


Illustrations cover a range of engines. Parts shown without corresponding text may not be used on your specific engine.
 5956-2 Assemblies include all parts shown in frames. 07/20/2005



Illustrations cover a range of engines. Parts shown without corresponding text may not be used on your specific engine.
 5956-3 Assemblies include all parts shown in frames. 07/20/2005

120500



Illustrations cover a range of engines. Parts shown without corresponding text may not be used on your specific engine.
 5956-4 Assemblies include all parts shown in frames. 07/20/2005

REF. NO.	PART NO.	DESCRIPTION	REF. NO.	PART NO.	DESCRIPTION	REF. NO.	PART NO.	DESCRIPTION
1	697322	Cylinder Assembly	26	790360	Ring Set (Standard) (Used After Code Date 04031400).	78	691108	Screw (Flywheel Guard)
2	399269	Kit-Bushing/Seal (Magneto Side)				81	691740	Lock-Muffler Screw
3	★299819	Seal-Oil (Magneto Side)			----- Note -----	95	691636	Screw (Throttle Valve)
4	493279	Sump-Engine			499425 Ring Set (Standard)	97	493267	Shaft-Throttle
5	691160	Head-Cylinder			(Used Before Code Date 04031500).	104	●691242	Pin-Float Hinge
7	★692249	Gasket-Cylinder Head			791324 Ring Set (.020" Oversize) (Used After Code Date 04102100).	108	691182	Valve-Choke
8	695250	Breather Assembly				109A	498593	Shaft-Choke
9	★699472	Gasket-Breather				117A	498976	Jet-Main (Standard)
10	691125	Screw (Breather Assembly)				118A	497348	Jet-Main (High Altitude)
11	691781	Tube-Breather			499427 Ring Set (.020" Oversize)	121	498260	Kit-Carburetor Overhaul
12	★692232	Gasket-Crankcase	27	691866	Lock-Piston Pin	125A	790276	Carburetor (Choke System)
13	690912	Screw (Cylinder Head)	28	499423	Pin-Piston (Standard)	127	●694468	Plug-Welch
15	691680	Plug-Oil Drain (Square Socket)	29	499424	Rod-Connecting (Standard)	130A	691203	Valve-Throttle
16	790277	Crankshaft	32	691664	Screw (Connecting Rod)	133	398187	Float-Carburetor
20	★399781	Seal-Oil (PTO Side)	32A	695759	Screw (Connecting Rod)	134	●398188	Kit-Needle/Seat
22	691092	Screw (Crankcase Cover/ Sump)	33	262651	Valve-Exhaust	137	◆693981	Gasket-Float Bowl
23	691992	Flywheel	34	262652	Valve-Intake	146	690979	Key-Timing
24	222698	Key-Flywheel	35	691270	Spring-Valve (Intake)	187	791766	Line-Fuel (Cut to Required Length) (Used After Code Date 05063000).
25	790359	Piston Assembly (Standard) (Used After Code Date 04031400).	36	691270	Spring-Valve (Exhaust)			----- Note -----
		----- Note -----	37	694086	Guard-Flywheel			691050 Line-Fuel (Cut to Required Length) (Used Before Code Date 05070100).
		697339 Piston Assembly (Standard) (Used Before Code Date 04031500).	40	692194	Retainer-Valve	188	693399	Screw (Control Bracket)
		791326 Piston Assembly (.020" Oversize) (Used After Code Date 04102100).	43	691997	Slinger-Governor/Oil	190	690940	Screw (Fuel Tank)
		697341 Piston Assembly (.020" Oversize) (Used Before Code Date 04102200).	45	690548	Tappet-Valve	202	691829	Link-Mechanical Governor
			46	691449	Camshaft	222E	692982	Bracket-Control (Fixed Speed And 5 Position Manual Choke)
			50	790285	Manifold-Intake			
			51	★692555	Gasket-Intake	227	690783	Lever-Governor Control
			54	691650	Screw (Intake Manifold)			
			55	691421	Housing-Rewind Starter			
			58	693389	Rope-Starter (Cut To Required Length)			
			60	691915	Grip-Starter Rope			
			65	690837	Screw (Rewind Starter)			

★ Included in Engine Gasket Set-Ref. No.358.

● Included in Carburetor Overhaul Kit-Ref. No. 121.

◆ Included in Carburetor Gasket Set-Ref. No. 977.

Illustrations cover a range of engines. Parts shown without corresponding text may not be used on your specific engine.

120500

REF. NO.	PART NO.	DESCRIPTION	REF. NO.	PART NO.	DESCRIPTION	REF. NO.	PART NO.	DESCRIPTION
265	690798	Clamp-Casing	431	790284	Elbow-Intake	684	690345	Screw
267	691044	Screw (Casing Clamp)	455	695161	Cup-Flywheel			(Breather Passage Cover)
268	691072	Casing-Control Wire (Cut to Required Length)	456	692299	Plate-Pawl Friction	689	691855	Spring-Friction
269	691026	Wire-Control (Cut to Required Length)	459	281505	Plate-Ratchet	692	690572	Spring-Detent
270	691027	Nut (Control Wire Casing)	497	690664	Screw (Stop Switch Bracket)	718	690959	Pin-Locating
271	691028	Lever-Control	505	691251	Nut (Governor Control Lever)	725	790289	Shield-Heat
276	◆271716	Washer-Sealing (Main Jet)	523	495264	Dipstick	728	691648	Screw (Heat Shield)
287	690940	Screw (Dipstick Tube)	524	★692296	Seal-Dipstick Tube	741	790345	Gear-Timing (Use Without Woodruff Key)
290	690349	Screw (Intake Elbow)	525	495265	Tube-Dipstick			----- Note -----
300	692038	Muffler (Super Lo Tone)	528	696751	Hose-Primer			691830 Gear-Timing (Uses Woodruff Key)
304	790286	Housing-Blower	562	92613	Bolt (Governor Control Lever)	776	861324	Guide-Rope
305	691108	Screw (Blower Housing)	584	697734	Cover-Breather Passage	832E	790280	Guard-Muffler
306	690450	Shield-Cylinder	585	★691879	Gasket-Breather Passage	836	690664	Screw (Muffler Guard)
307	690345	Screw (Cylinder Shield)	592	690800	Nut (Rewind Starter)	836A	690661	Screw (Muffler Guard)
332	690662	Nut (Flywheel)	597	691696	Screw (Pawl Friction Plate)	842	★691031	Seal-O Ring (Dipstick Tube)
333	802574	Armature-Magneto	608	697743	Starter-Rewind	843A	691895	Sleeve-Lever (Choke)
334	691061	Screw (Magneto Armature)	613	691340	Screw (Muffler)	847	692017	Dipstick/Tube Assembly
337	802592	Plug-Spark (Resistor)	615	690340	Retainer-Governor Shaft	851	493880	Terminal-Spark Plug
		----- Note -----	616	698801	Crank-Governor	868	697338	Seal-Valve
		697451 Plug-Spark (EMS)	617	★◆270344	Seal-O Ring (Intake Manifold)	869	691155	Seat-Valve (Intake)
347	790283	Switch-Rocker	627	692872	Bracket-Stop Switch	870	690380	Seat-Valve (Exhaust)
356B	693010	Wire-Stop	633	◆◆691321	Seal-Choke/Throttle Shaft (Throttle)	871	262001	Bushing-Valve Guide (Exhaust)
358	497316	Gasket Set-Engine	633A	◆◆693867	Seal-Choke/Throttle Shaft (Choke)			----- Note -----
363	19069	Flywheel Puller						63709 Bushing-Valve Guide (Intake)
365	691688	Screw (Carburetor)	635	66538	Boot-Spark Plug	883	★691881	Gasket-Exhaust
383	89838	Wrench-Spark Plug	668	★493823	Spacer	921K	790294	Cover-Blower Housing
404	690272	Washer (Governor Crank)	670	692294	Spacer-Fuel Tank	957	397974	Cap-Fuel Tank (Plastic)

★ Included in Engine Gasket Set-Ref. No.358.

◆ Included in Carburetor Gasket Set-Ref. No. 977.

● Included in Carburetor Overhaul Kit-Ref. No. 121.

Illustrations cover a range of engines. Parts shown without corresponding text may not be used on your specific engine.

120500

REF. NO.	PART NO.	DESCRIPTION	REF. NO.	PART NO.	DESCRIPTION	REF. NO.	PART NO.	DESCRIPTION
969	690700	Screw (Blower Housing Cover)	1019	790295	Kit-Label	1211	498144	Pulley/Spring Assembly (Spring)
969A	691135	Screw (Blower Housing Cover)	1036		Label-Emission (Available From An Authorized Briggs & Statton Sevice Dealer)	1330	270962	Manual-Repair
972B	699374	Tank-Fuel	1058	276350	Manual-Owner's	1360	790281	Cover-Switch
975	493640	Bowl-Float	1059	692311	Kit-Screw/Washer	1361	790282	Screw (Switch Cover)
976A	790221	Primer-Carburetor	1210	498144	Pulley/Spring Assembly (Pulley)	1362	790288	Baffle-Intake Elbow
977	498261	Gasket Set-Carburetor						
1005	691346	Fan-Flywheel						

★ Included in Engine Gasket Set-Ref. No.358.

● Included in Carburetor Overhaul Kit-Ref. No. 121.

◆ Included in Carburetor Gasket Set-Ref. No. 977.

Illustrations cover a range of engines. Parts shown without corresponding text may not be used on your specific engine.

5956-7

Assemblies include all parts shown in frames.

07/20/2005