



# 11A600

## Illustrated Parts List

### Model Series

# 11A600

TYPE NUMBERS  
0100 through 0170.

### TABLE OF CONTENTS

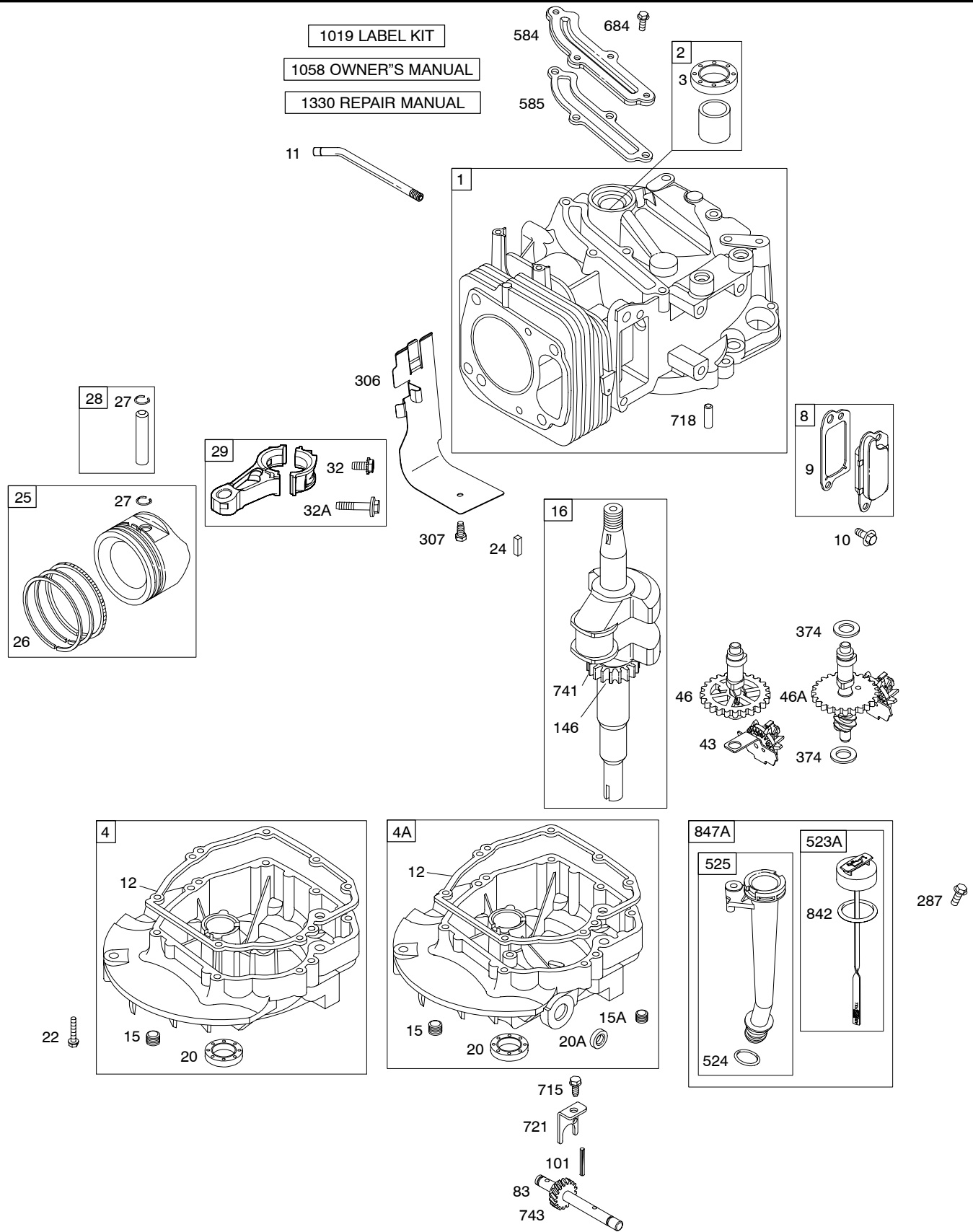
- Air Cleaner ..... 6
- Blower Housing/Shrouds ..... 7
- Camshaft ..... 2
- Carburetor ..... 4
- Controls ..... 5
- Crankshaft ..... 2
- Cylinder ..... 2
- Cylinder Head ..... 3
- Electric Starter ..... 7
- Engine Sump ..... 2
- Exhaust System ..... 6
- Flywheel ..... 7
- Flywheel Brake ..... 5
- Fuel Tank ..... 4
- Fuel Supply ..... 4
- Governor Spring ..... 5
- Ignition ..... 5
- Kits/Gaskets Sets ..... 8
- Lubrication ..... 2
- Piston Group ..... 2
- Rewind Starter ..... 7



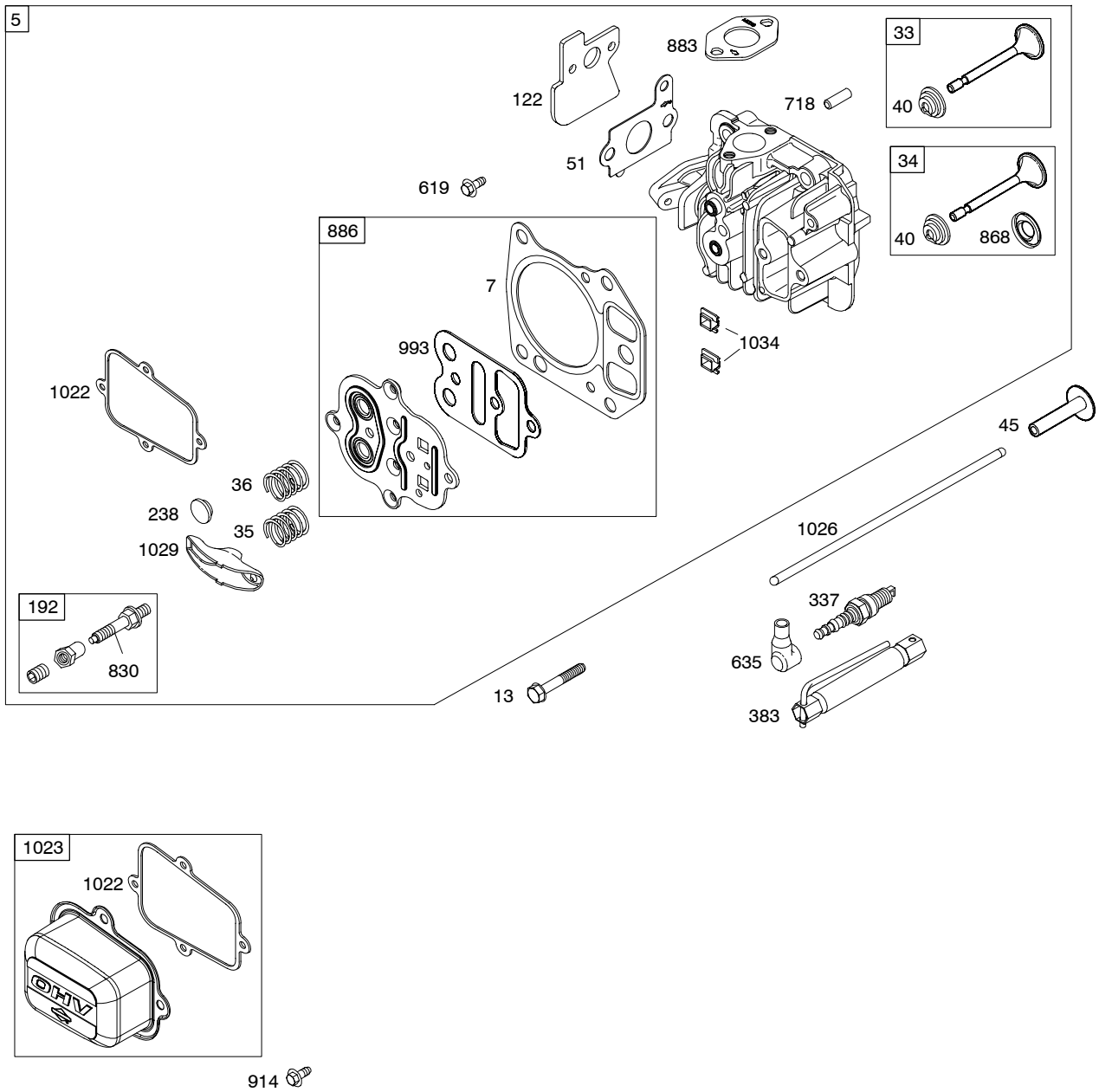
PRINTED IN U.S.A.

COPYRIGHT by BRIGGS & STRATTON CORPORATION  
All rights reserved. No part of this material may be reproduced or transmitted, in any form or by any means, electronic or mechanical, including photocopying, recording or by any information storage and retrieval system, without permission in writing from Briggs & Stratton Corporation.

# 11A600

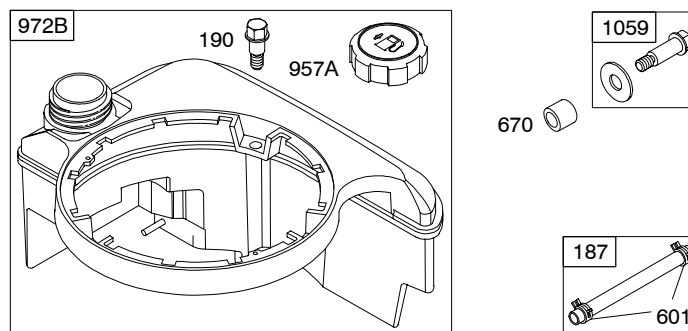
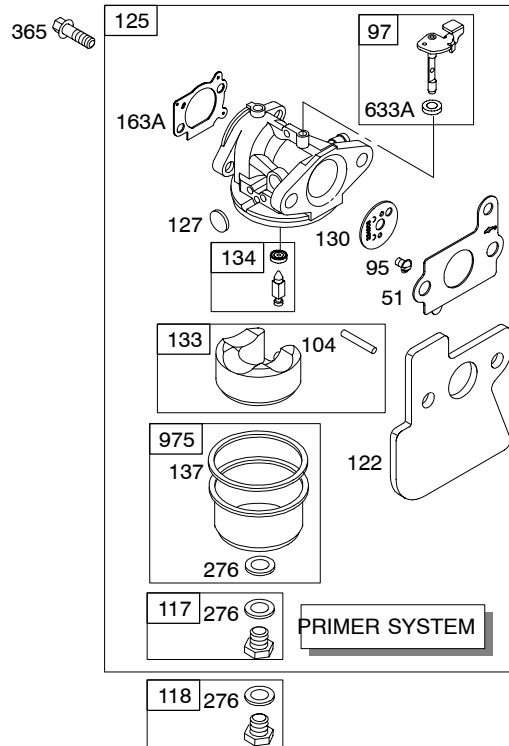


Illustrations cover a range of engines. Parts shown without corresponding text may not be used on your specific engine.  
 6516-2 Assemblies include all parts shown in frames. 10/11/2005

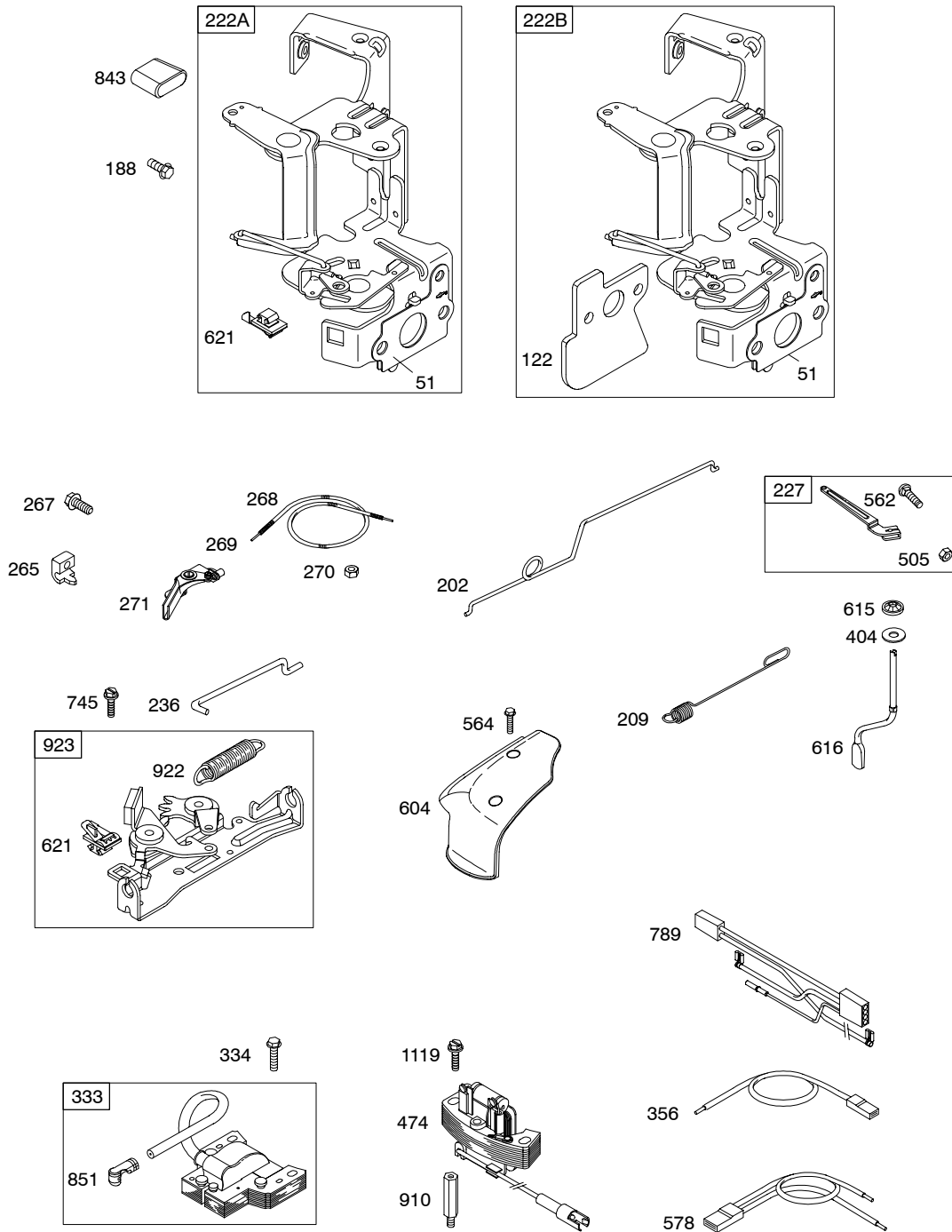


Illustrations cover a range of engines. Parts shown without corresponding text may not be used on your specific engine.  
 6516-3 Assemblies include all parts shown in frames. 10/11/2005

# 11A600

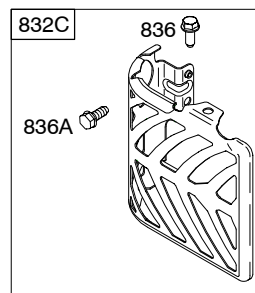
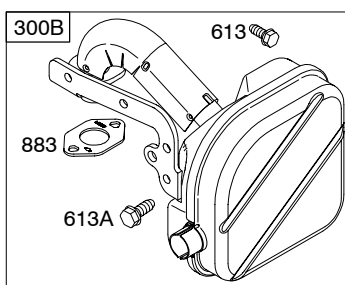
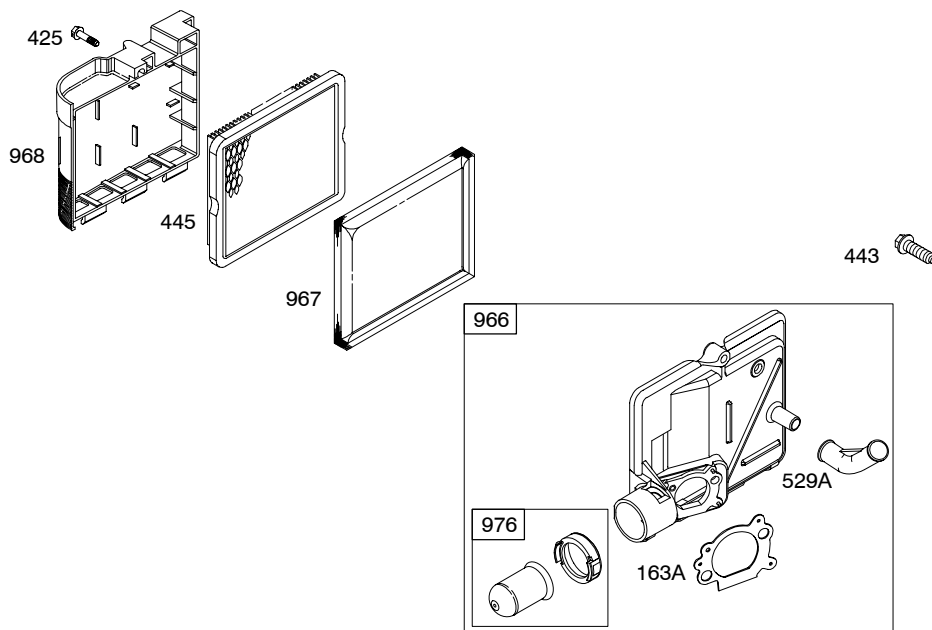


Illustrations cover a range of engines. Parts shown without corresponding text may not be used on your specific engine.  
6516-4 Assemblies include all parts shown in frames. 10/11/2005

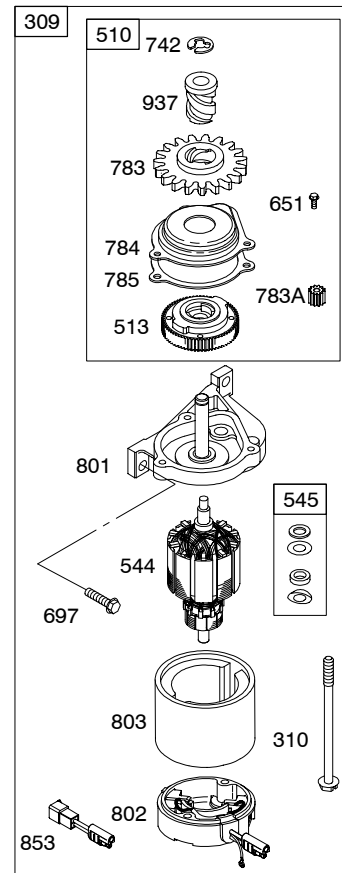
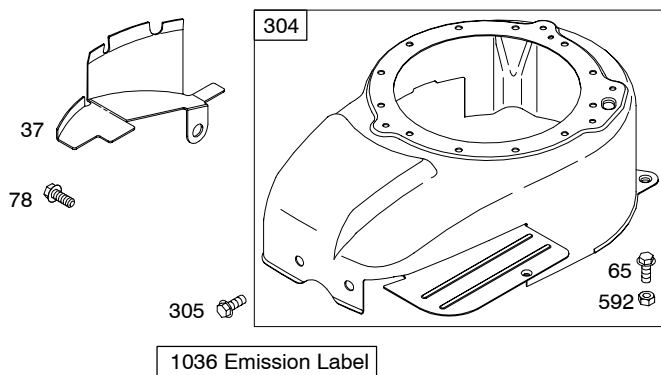
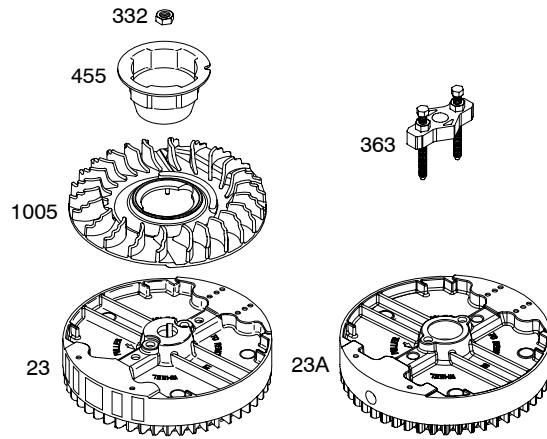
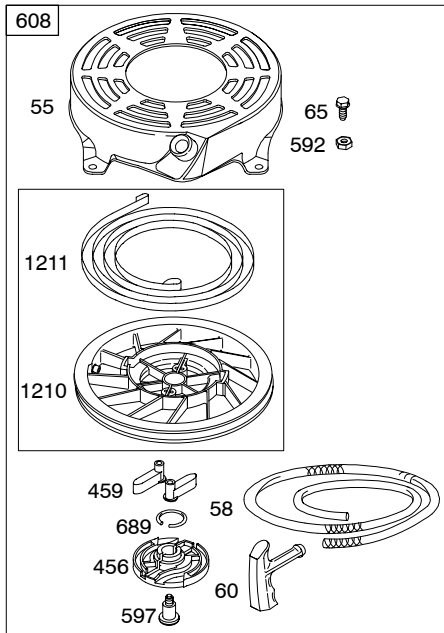


Illustrations cover a range of engines. Parts shown without corresponding text may not be used on your specific engine.  
 6516-5 Assemblies include all parts shown in frames. 10/11/2005

# 11A600

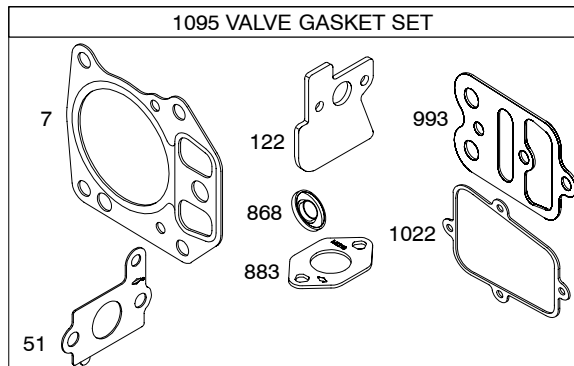
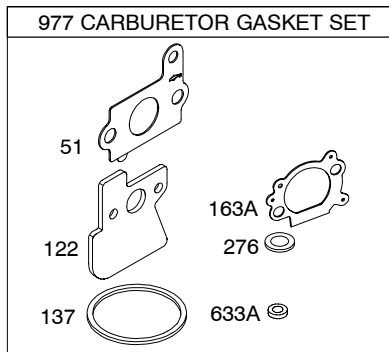
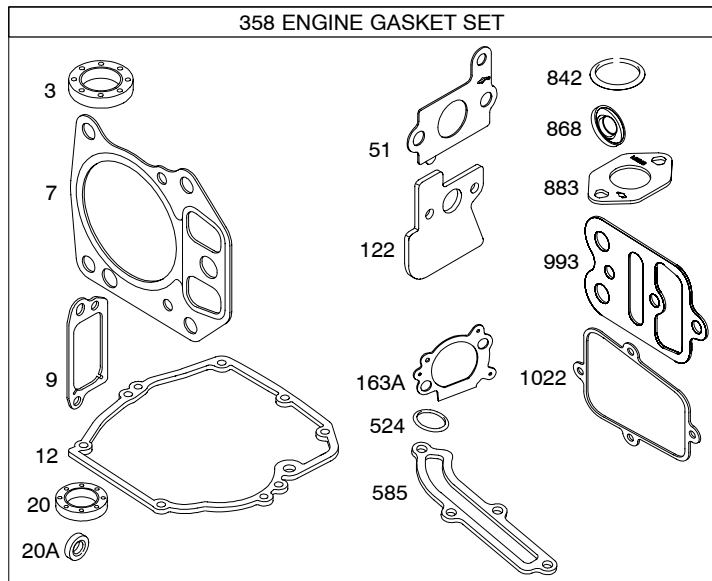
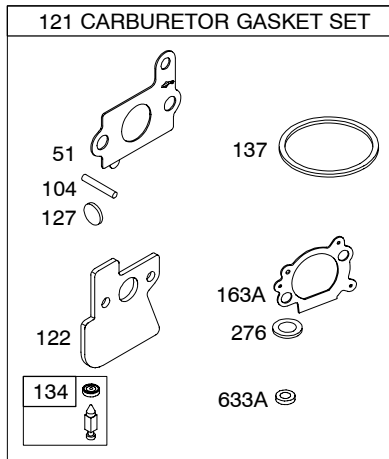


*Illustrations cover a range of engines. Parts shown without corresponding text may not be used on your specific engine.*



Illustrations cover a range of engines. Parts shown without corresponding text may not be used on your specific engine.  
 6516-7 Assemblies include all parts shown in frames. 10/11/2005

# 11A600



*Illustrations cover a range of engines. Parts shown without corresponding text may not be used on your specific engine.*



**11A600**

REF. NO.	PART NO.	DESCRIPTION	REF. NO.	PART NO.	DESCRIPTION	REF. NO.	PART NO.	DESCRIPTION
1	692670	Cylinder Assembly	25	790359	Piston Assembly (Standard)	33	499642	Valve-Exhaust
2	399269	Kit-Bushing/Seal (Magneto Side)			----- <b>Note</b> -----	34	499641	Valve-Intake
3	★299819	Seal-Oil (Magneto Side)			499430 Piston Assembly (.010" Oversize)	35	691304	Spring-Valve (Intake)
4	493279	Sump-Engine			791326 Piston Assembly (.020" Oversize) (Used After Code Date 04102100).	36	691304	Spring-Valve (Exhaust)
4A	493365	Sump-Engine (Auxiliary PTO) Used on Type No(s). 0108, 0118, 0119, 0151.			499431 Piston Assembly (.020" Oversize) (Used Before Code Date 04102200).	37	694086	Guard-Flywheel
5	695276	Head-Cylinder			499432 Piston Assembly (.030" Oversize)	40	692194	Retainer-Valve
7	★△695166	Gasket-Cylinder Head	26	790360	Ring Set (Standard) (Used After Code Date 04040400).	43	691997	Slinger-Governor/Oil
8	495786	Breather Assembly			----- <b>Note</b> -----	45	690977	Tappet-Valve
9	★272481	Gasket-Breather			499425 Ring Set (Standard) (Used Before Code Date 04040500).	46	694039	Camshaft
10	691125	Screw (Breather Assembly)			499426 Ring Set (.010" Oversize)	46A	694037	Camshaft (Counterclockwise)
11	499675	Tube-Breather			791324 Ring Set (.020" Oversize) (Used After Code Date 04102100).	51★◆△692668		Gasket-Intake
12	★692232	Gasket-Crankcase			499427 Ring Set (.020" Oversize) (Used Before Code Date 04102200).	55	691421	Housing-Rewind Starter
13	691137	Screw (Cylinder Head)			499428 Ring Set (.030" Oversize)	58	697316	Rope-Starter (Cut To Required-Length)
15	691680	Plug-Oil Drain (Square Socket)			Lock-Piston Pin	60	281434	Grip-Starter Rope
15A	691093	Plug-Oil Drain (Hex Socket)			28	499423	Pin-Piston	
16	692676	Crankshaft			29	692671	Rod-Connecting	
		----- <b>Note</b> -----			32	691664	Screw (Connecting Rod)	
		692798 Crankshaft Used on Type No(s). 0108, 0118, 0119, 0125.			32A	695759	Screw (Connecting Rod)	
20	★399781	Seal-Oil (PTO Side)	27	691866	Lock-Piston Pin	65	690837	Screw (Rewind Starter)
20A	★691952	Seal-Oil (PTO Side) (Auxiliary PTO)	28	499423	Pin-Piston	78	691108	Screw (Flywheel Guard)
22	691092	Screw (Crankcase Cover/Sump)	29	692671	Rod-Connecting	83	690527	Shaft-Auxiliary Drive Used on Type No(s). 0108, 0118, 0119, 0151.
23	696569	Flywheel				95	691636	Screw (Throttle Valve)
23A	692693	Flywheel Used on Type No(s). 0111.				97	499682	Shaft-Throttle (Metal)
24	222698	Key-Flywheel						----- <b>Note</b> -----
								790121 Shaft-Throttle (Plastic)
						101	691623	Pin-Shaft
						104	◆691242	Pin-Float Hinge
						117	498981	Jet-Main (Standard) (Used After Code Date 03110600).
								----- <b>Note</b> -----
								498978 Jet-Main (Standard) (Used Before Code Date 03110700).

★ Included in Engine Gasket Set-Ref. No.358.

● Included in Carburetor Overhaul Kit-Ref. No. 121.

◆ Included in Carburetor Gasket Set-Ref. No. 977.

△ Included in Valve Gasket Set-Ref. No 1095.

*Illustrations cover a range of engines. Parts shown without corresponding text may not be used on your specific engine.*

# 11A600

REF. NO.	PART NO.	DESCRIPTION	REF. NO.	PART NO.	DESCRIPTION	REF. NO.	PART NO.	DESCRIPTION
118	497466	Jet–Main (High Altitude) (Used After Code Date 03110600). ----- <b>Note</b> ----- 498975 Jet–Main (High Altitude) (Used Before Code Date 03110700).	222A	693897	Bracket–Control ----- <b>Note</b> ----- 692672 Bracket–Control Used on Type No(s). 0108, 0118, 0152, 0170.	334	691061	Screw (Magneto Armature)
121	692703	Kit–Carburetor Overhaul	222B	693378	Bracket–Control Used on Type No(s). 0111, 0113.	337	692051	Plug–Spark
122	692799	Spacer–Carburetor	227	691467	Lever–Governor Control	356	692390	Wire–Stop
125	790120	Carburetor	236	691826	Link–Lockout	358	694090	Gasket Set–Engine
127	694468	Plug–Welch	238	691300	Cap–Valve	363	19069	Puller–Flywheel
130	691203	Valve–Throttle ----- <b>Note</b> ----- 696564 Valve–Throttle (Used With Plastic Throttle Shaft)	265	690798	Clamp–Casing	365	691136	Screw (Carburetor)
133	398187	Float–Carburetor	267	691044	Screw (Casing Clamp)	374	691074	Washer (Camshaft)
134	398188	Kit–Needle/Seat	268	691072	Casing–Control Wire (Cut To Required Length)	383	19374	Wrench–Spark Plug
137	693981	Gasket–Float Bowl	269	691026	Wire–Control (Cut To Required Length)	404	690272	Washer (Governor Crank)
146	690979	Key–Timing	270	691027	Nut (Control Wire Casing)	425	690670	Screw (Air Cleaner Cover)
187	791766	Line–Fuel (Cut to Required Length) (Used After Code Date 05063000). ----- <b>Note</b> ----- 691050 Line–Fuel (Cut to Required Length) (Used Before Code Date 05070100).	271	691028	Lever–Control	443	691637	Screw (Air Cleaner Primer Base)
163A	692667	Gasket–Air Cleaner	276	271716	Washer–Sealing (Main Jet)	445	491588	Filter–Air Cleaner Cartridge
188	691147	Screw (Control Bracket)	287	690940	Screw (Dipstick Tube)	455	695161	Cup–Flywheel
190	690940	Screw (Fuel Tank)	300B	699769	Muffler	456	692299	Plate–Pawl Friction
192	694543	Adjuster–Rocker Arm	304	499677	Housing–Blower ----- <b>Note</b> ----- 499676 Housing– Blower Used on Type No(s). 0111, 0113.	459	281505	Pawl–Ratchet
202	691303	Link–Mechanical Governor	305	691108	Screw (Blower Housing)	474	691991	Alternator
209	691851	Spring–Governor ----- <b>Note</b> ----- 691291 Spring– Governor Used on Type No(s). 0111, 0113.	306	691232	Shield–Cylinder	505	691251	Nut (Governor Control Lever)
			307	690345	Screw (Cylinder Shield)	510	494147	Drive–Starter
			309	695550	Motor–Starter	513	692358	Clutch–Drive
			310	692327	Bolt (Starter Motor)	523A	495264	Dipstick
			332	690662	Nut (Flywheel)	524	692296	Seal–Dipstick Tube
			333	802574	Armature–Magneto	525	495265	Tube–Dipstick
						529A	691923	Grommet
						544	690786	Armature–Starter
						545	492919	Washer Set (Starter Motor)
						562	691119	Bolt (Governor Control Lever)
						564	693808	Screw (Control Cover)
						578	398153	Wire Assembly
						584	697734	Cover–Breather Passage
						585	691879	Gasket–Breather Passage
						592	690800	Nut (Rewind Starter)

★ Included in Engine Gasket Set–Ref. No.358.

● Included in Carburetor Overhaul Kit–Ref. No. 121.

◆ Included in Carburetor Gasket Set–Ref. No. 977.

△ Included in Valve Gasket Set–Ref. No 1095.

*Illustrations cover a range of engines. Parts shown without corresponding text may not be used on your specific engine.*

**11A600**

REF. NO.	PART NO.	DESCRIPTION	REF. NO.	PART NO.	DESCRIPTION	REF. NO.	PART NO.	DESCRIPTION
597	691696	Screw (Pawl Friction Plate)	745	691648	Screw (Brake)	930	691919	Guard-Rewind
601	95162	Clamp-Hose	783	691918	Gear-Pinion	930A	692675	Guard-Rewind
608	497680	Starter-Rewind	783A	691269	Gear-Pinion	937	691325	Spline-Starter
604	692669	Cover-Control	784	692341	Cover-Starter Gear	957A	397974	Cap-Fuel Tank (Plastic)
613	691108	Screw (Muffler)	785	692352	Gasket-Starter Cover	966	692673	Base-Air Cleaner Primer
613A	691140	Screw (Muffler)	789	696547	Harness-Wiring	967	493537	Filter-Pre Cleaner
615	690340	Retainer-Governor Shaft	801	690782	Cap-Drive	968	692298	Cover-Air Cleaner
616	691308	Crank-Governor	802	695267	Cap-End	972B	699374	Tank-Fuel (Plastic)
619	698801	Screw (Cylinder Head Plate)	803	695266	Housing-Starter	975	493640	Bowl-Float
621	692310	Switch-Stop	830	694544	Stud-Rocker Arm	976	694395	Primer-Carburetor
633A	◆691321	Seal-Choke/Throttle Shaft	832C	695593	Guard-Muffler	977	692704	Gasket Set-Carburetor
635	66538	Boot-Spark Plug	836	691147	Screw (Muffler Guard)	993	★△694088	Gasket-Cylinder Head Plate
651	691660	Screw (Starter Gear Cover)	836A	697551	Screw (Muffler Guard)	1005	691346	Fan-Flywheel
670	692294	Spacer-Fuel Tank	842	★691031	Seal-O Ring (Dipstick Tube)	1019	695811	Kit-Label
684	690345	Screw (Breather Passage Cover)	843	691884	Sleeve-Lever	1022	★△691890	Gasket-Rocker Cover
689	691855	Spring-Friction	847A	692017	Dipstick/Tube Assembly	1023	499624	Cover-Rocker
697	691127	Screw (Drive Cap)	851	493880	Terminal-Spark Plug	1026	692045	Rod-Push
715	691147	Screw (Stop Shaft)	853	695268	Adapter-Wire	1029	691230	Arm-Rocker
718	690959	Pin-Locating	868	★△692044	Seal-Valve	1034	691343	Guide-Push Rod
721	690449	Stop-Shaft	883	★△691893	Gasket-Exhaust	1036		Label-Emission (Available From An Authorized Briggs & Statton Service Dealer)
741	790345	Gear-Timing (Use Without Woodruff Key)	886	696268	Gasket Kit-Cylinder Head/Plate	1058	276348	Manual-Owner's
		----- <b>Note</b> -----	910	691094	Stud (Alternator)	1059	692311	Kit-Screw/Washer
		<b>691830</b> Gear-Timing (Uses Woodruff Key)	914	691108	Screw (Rocker Cover)	1095	694091	Gasket Set-Valve
742	93941	Retainer-E Ring	922	691831	Spring-Brake ----- <b>Note</b> -----	1119	692979	Screw (Alternator)
743	691772	Gear-Drive (Counterclockwise) Used on Type No(s). 0108, 0118, 0119, 0151.	923	691994	Brake ----- <b>Note</b> -----	1210	498144	Pulley/Spring Assembly (Pulley)
					<b>692135</b> Spring-Brake Used on Type No(s). 0119, 0125, 0151.	1211	498144	Pulley/Spring Assembly (Spring)
					<b>695891</b> Brake Used on Type No(s). 0119, 0125, 0151.	1330	272147	Manual-Repair
			925	690595	Cover-Linkage			

★ Included in Engine Gasket Set-Ref. No.358.

● Included in Carburetor Overhaul Kit-Ref. No. 121.

◆ Included in Carburetor Gasket Set-Ref. No. 977.

△ Included in Valve Gasket Set-Ref. No 1095.

*Illustrations cover a range of engines. Parts shown without corresponding text may not be used on your specific engine.*