



10B900

Illustrated Parts List

Model Series

10B900

TYPE NUMBERS
0050, 0105, 0111, 0130,
0131, 1650, 2005, 2011.

TABLE OF CONTENTS

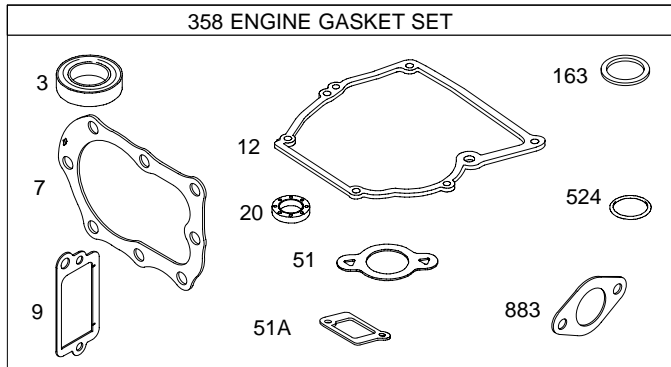
Air Cleaner	5
Blower Housing/Shrouds	7
Cam	3
Carburetor	4
Controls	5
Crankcase Cover/Sump	3
Crankshaft	3
Cylinder	2
Flywheel	7
Fuel Tank	4
Governor Spring	5
Head	2
Ignition	5
Kits/Gaskets-Engine	2
Kits/Gaskets-Valve	2
Muffler	6
Oil Group	2
Piston Group	3
Rewind	7
Valves	3



PRINTED IN U.S.A.

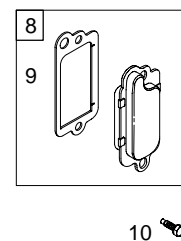
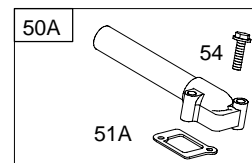
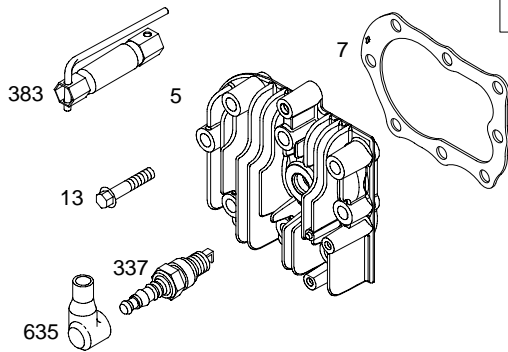
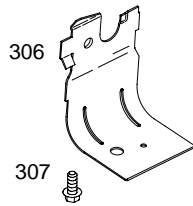
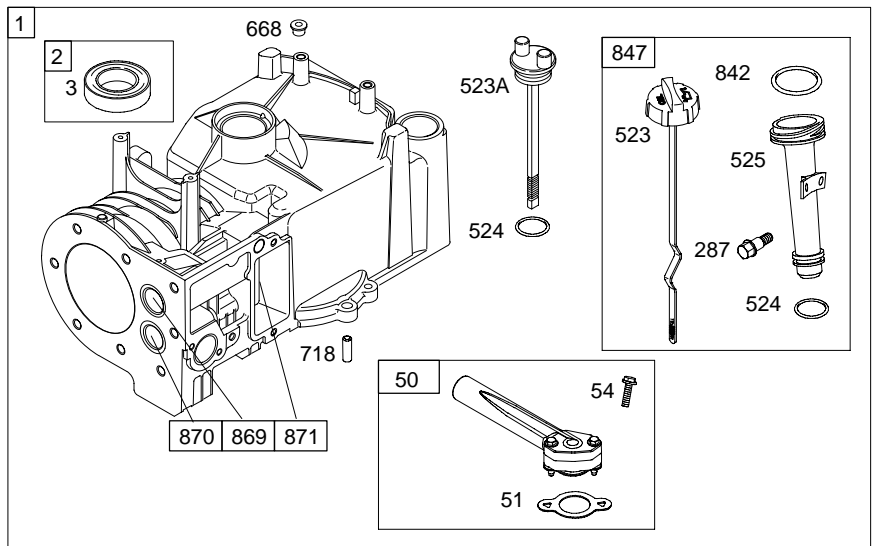
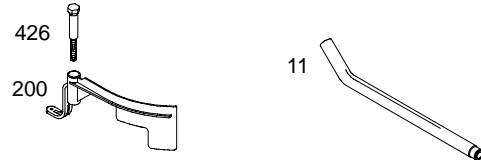
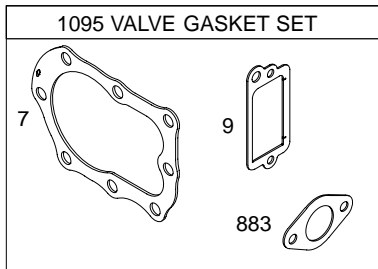
COPYRIGHT by BRIGGS & STRATTON CORPORATION
All rights reserved. No part of this material may be reproduced or transmitted, in any form or by any means, electronic or mechanical, including photocopying, recording or by any information storage and retrieval system, without permission in writing from Briggs & Stratton Corporation.

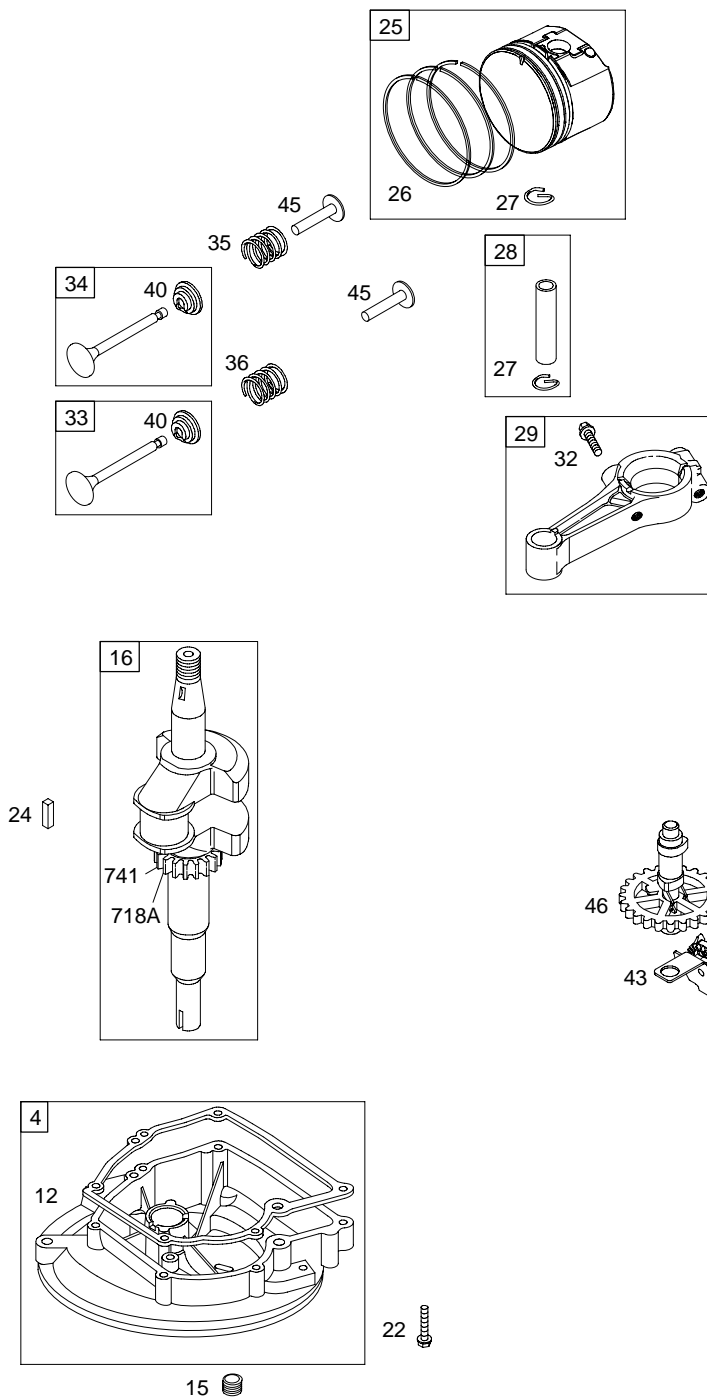
10B900



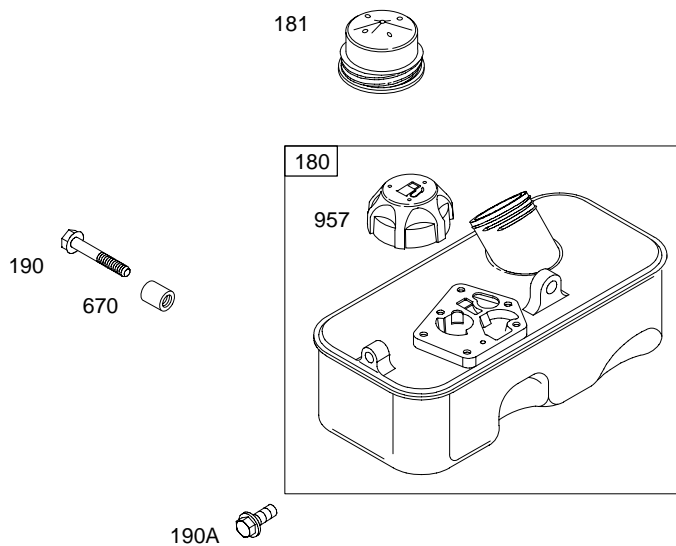
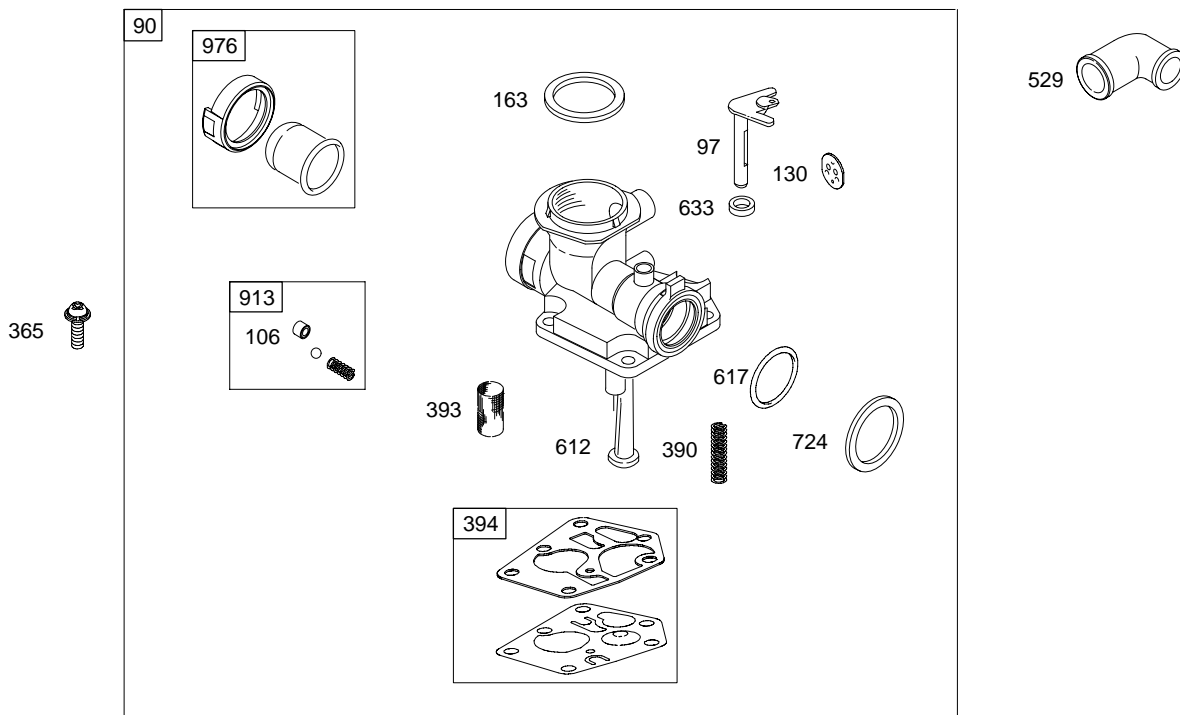
1058 OWNER'S MANUAL

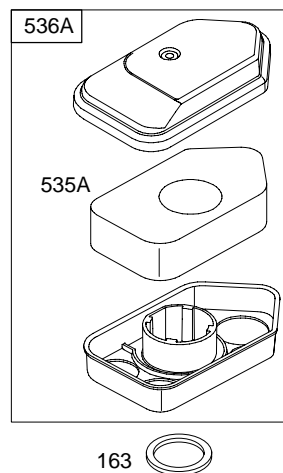
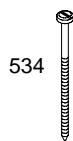
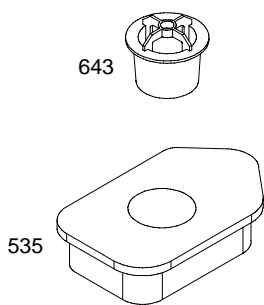
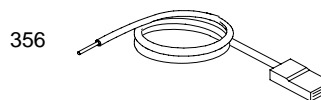
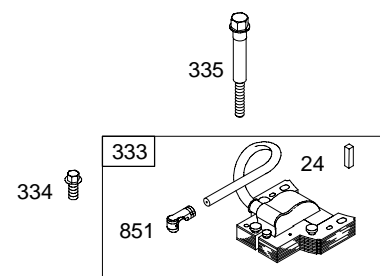
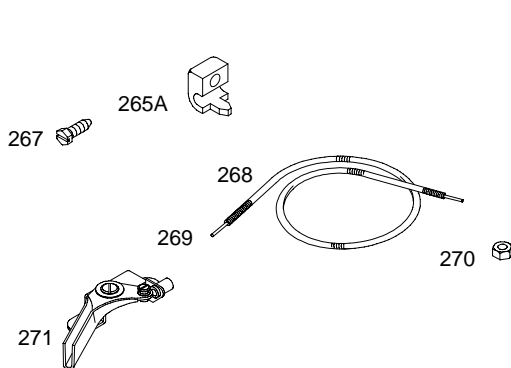
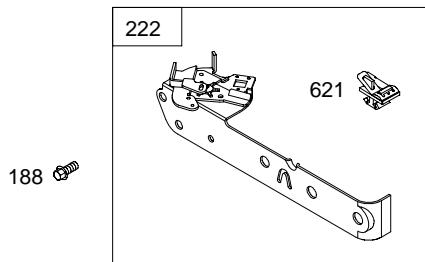
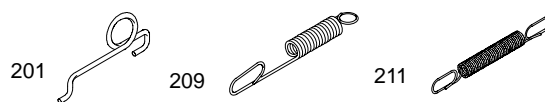
1330 REPAIR MANUAL



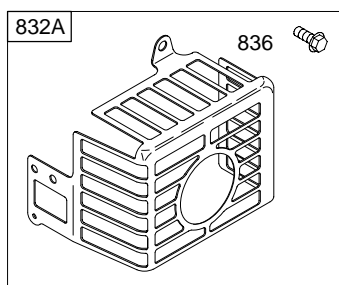
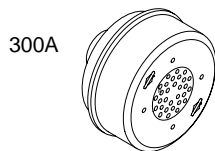
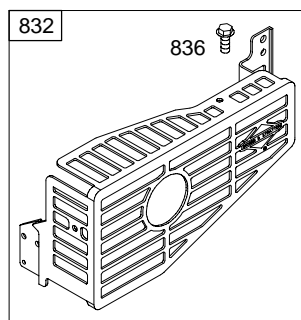
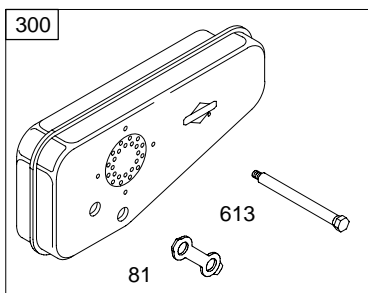


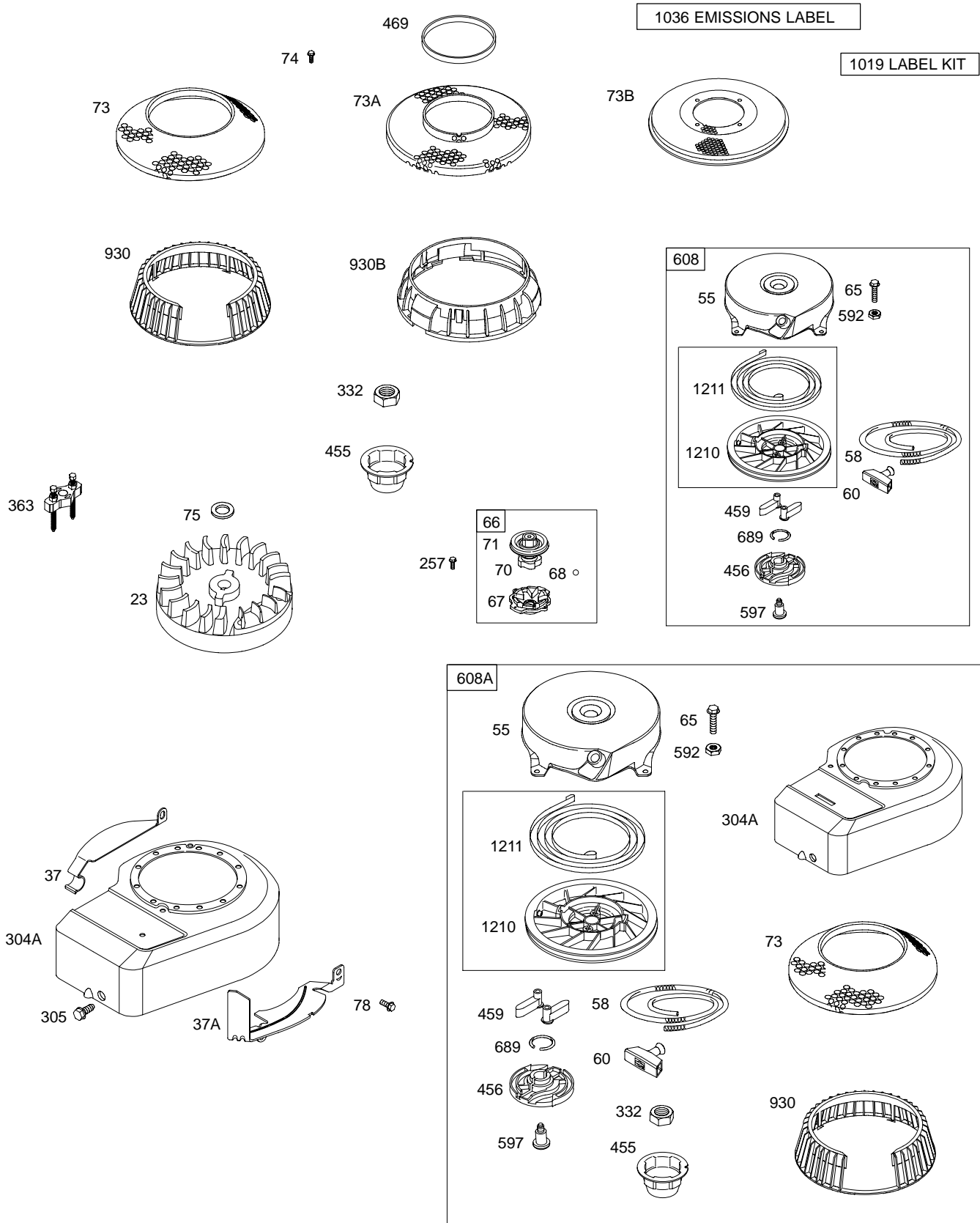
10B900





10B900





10B900

REF. NO.	PART NO.	DESCRIPTION	REF. NO.	PART NO.	DESCRIPTION	REF. NO.	PART NO.	DESCRIPTION
1	699653	Cylinder Assembly	25	790908	Piston Assembly (Standard) (Used After Code Date 04111400).	26	790909	Ring Set (Standard) (Used After Code Date 04111400).
2	399269	Kit-Bushing/Seal (Magneto Side)						
3	*299819	Seal-Oil (Magneto Side)			----- Note -----			----- Note -----
4	698691	Sump-Engine (Used After Code Date 02111000).			699657 Piston Assembly (Standard) (Used After Code Date 03080300 and Before Code Date 04111500).			699658 Ring Set (Standard) (Used After Code Date 03080300 and Before Code Date 04111500).
		----- Note -----			498668 Piston Assembly (Standard) (Used After Code Date 96020500 and Before Code Date 03080400).			498680 Ring Set (Standard) (Used After Code Date 96020500 and Before Code Date 03080400).
5	790169	Head-Cylinder			298904 Piston Assembly (Standard) (Used Before Code Date 96020600).			498682 Ring Set (.020" Oversize) (Used After Code Date 96020500 and Before Code Date 04111500).
7	*Δ698717	Gasket-Cylinder Head			498670 Piston Assembly (.020" Oversize) (Used After Code Date 96020500 and Before Code Date 04111500).			298984 Ring Set (.020" Oversize) (Used Before Code Date 96020600).
8	699640	Breather Assembly			298906 Piston Assembly (.020" Oversize) (Used Before Code Date 96020600).			498683 Ring Set (.030" Oversize) (Used After Code Date 96020500 and Before Code Date 04111500).
9	*Δ695890	Gasket-Breather			498671 Piston Assembly (.030" Oversize) (Used After Code Date 96020500 and Before Code Date 04111500).	27	691588	Lock-Piston Pin
10	691666	Screw (Breather Assembly)			298907 Piston Assembly (.030" Oversize) (Used Before Code Date 96020600).	28	699659	Pin-Piston (Standard) (Used After Code Date 03080300).
11	691245	Tube-Breather						----- Note -----
12	*692218	Gasket-Crankcase (.015" Thick) (Standard) ----- Note -----						298909 Pin-Piston (Standard) (Used Before Code Date 03080400).
		270895 Gasket-Crankcase (.005" Thick)						298908 Pin-Piston (.005" Oversize)
		270896 Gasket-Crankcase (.009" Thick)						
13	691640	Screw (Cylinder Head)						
15	691680	Plug-Oil Drain						
16	496839	Crankshaft Used on Type No(s). 0050, 0105, 0111, 0130, 0131. ----- Note -----						
		692989 Crankshaft Used on Type No(s). 1650, 2005, 2011.						
20	*391483	Seal-Oil (PTO Side)						
22	692551	Screw (Crankcase Cover/Sump)						
23	690843	Flywheel						
24	222698	Key-Flywheel						

* Engine Gasket Set-Reference 358
● Carburetor Overhaul Kit-Reference 121

◆ Carburetor Gasket Set-Reference 977
Δ Valve Gasket Set-Reference 1095

10B900

REF. NO.	PART NO.	DESCRIPTION	REF. NO.	PART NO.	DESCRIPTION	REF. NO.	PART NO.	DESCRIPTION
29	699654	Rod-Connecting (Used After Code Date 03080300). ----- Note ----- 496792 Rod-Connecting (Used Before Code Date 03080400).	67	394897	Housing-Clutch	209	690251	Spring-Governor (Yellow) Used on Type No(s). 0105, 0110. (Used After Code Date 96051900). ----- Note -----
32	691664	Screw (Connecting Rod)	68	691604	Ball-Clutch	691297		Spring-Governor (White) (Used After Code Date 96051900).
33	296676	Valve-Exhaust	70	691945	Ratchet-Clutch			Used on Type No(s). 0050.
34	296677	Valve-Intake	71	691359	Cover-Ratchet	262942		Spring-Governor (Black) Used on Type No(s). 0050, 0105, 0110. (Used Before Code Date 96052000).
35	690520	Spring-Valve (Intake)	73	699850	Screen-Rotating (Used After Code Date 03080700).	691862		Spring-Governor (Dark Green) Used on Type No(s). 0111, 2005, 2011.
36	690520	Spring-Valve (Exhaust)	73A	694018	Screen-Rotating (Used After Code Date 97052500 and Before Code Date 03080800).	692211		Spring-Governor (No Color) Used on Type No(s). 1650.
37	690482	Guard-Flywheel (Carburetor Side)	73B	691725	Screen-Rotating (Used Before Code Date 97052600).	211	691859	Spring-Governed Idle
37A	691209	Guard-Flywheel (Muffler Side)	74	691627	Screw (Rotating Screen)	222	691445	Bracket-Control
40	692194	Retainer-Valve	75	691736	Washer (Flywheel)	257	691660	Screw (Starter Clutch)
43	698690	Slinger-Governor/Oil (Used After Code Date 02110400). ----- Note ----- 691983 Slinger-Governor/Oil (Used Before Code Date 02110500).	78	692198	Screw (Flywheel Guard)	265A	690798	Clamp-Casing
45	691762	Tappet-Valve	81	691179	Lock-Muffler Screw	267	691044	Screw (Casing Clamp)
46	691998	Camshaft	90	498811	Carburetor (Used After Code Date 96051900). ----- Note ----- 497619 Carburetor (Used Before Code Date 96052000).	268	691072	Casing-Control Wire (48" Long) (Cut To Required Length)
50	699644	Manifold-Intake (Used After Code Date 03080300).	97	691931	Shaft-Throttle			----- Note ----- 691025 Casing-Control Wire (72" Long) (Cut To Required Length)
50A	693446	Manifold-Intake (Used Before Code Date 03080400).	106	691901	Seat-Inlet			
51	★699649	Gasket-Intake (Used After Code Date 03080300).	130	691190	Valve-Throttle			
51A	270345	Gasket-Intake (Used Before Code Date 03080400).	163	★271139	Gasket-Air Cleaner			
54	691111	Screw (Intake Manifold)	180	494406	Tank-Fuel			
55	692144	Housing-Rewind Starter	181	493982	Cap-Fuel Tank			
58	691921	Rope-Starter (70" Rope)	188	692198	Screw (Control Bracket)			
60	691915	Grip-Starter Rope	190	691640	Screw (Fuel Tank) (1 3/4" Long)			
65	690837	Screw (Rewind Starter)	190A	692198	Screw (Fuel Tank) (1/2" Long)			
66	399671	Clutch-Starter	200	691912	Blade-Governor			
			201	690347	Link-Air Vane			

★ Engine Gasket Set-Reference 358
● Carburetor Overhaul Kit-Reference 121

◆ Carburetor Gasket Set-Reference 977
△ Valve Gasket Set-Reference 1095

10B900

REF. NO.	PART NO.	DESCRIPTION	REF. NO.	PART NO.	DESCRIPTION	REF. NO.	PART NO.	DESCRIPTION
269	691589	Wire-Control (54" Long) (Cut To Required Length) ----- Note ----- 691026 Wire-Control (78" Long) (Cut To Required Length)	394	495770	Diaphragm-Carburetor	635	66538	Boot-Spark Plug
270	691027	Nut (Control Wire Casing)	426	691107	Screw (Governor Blade)	643	691911	Retainer-Air Filter (Used Before Code Date 97100600).
271	691028	Lever-Control	455	691236	Cup-Flywheel	668	692889	Spacer
287	691002	Screw (Dipstick Tube)	456	692299	Plate-Pawl Friction	670	691633	Spacer-Fuel Tank (Used After Code Date 97071300). ----- Note ----- 691631 Spacer-Fuel Tank (Used Before Code Date 97071400).
300	692307	Muffler (Super Lo Tone)	459	281505	Pawl-Ratchet	689	691855	Spring-Friction
300A	394569	Muffler (Round Lo Tone)	469	694420	Ring-Rotating Trim (Used Before Code Date 03080800).	718	690959	Pin-Locating (Cylinder)
304A	692536	Housing-Blower (Non Compliance Engines) Used on Type No(s). 1650, 2005B1, 2011.	523	692040	Dipstick	718A	499047	Pin-Locating (Crankshaft)
305	692198	Screw (Blower Housing)	523A	691913	Dipstick Used on Type No(s). 0111, 2011.	724	697478	Retainer-Seal
306	690400	Shield-Cylinder (Used Before Code Date 04071400).	524	★691876	Seal-Dipstick Tube	741	691805	Gear-Timing
307	690345	Screw (Cylinder Shield) (Used Before Code Date 04071400).	525	691320	Tube-Dipstick	832	699299	Guard-Muffler (Super Lo Tone)
332	690662	Nut (Flywheel)	529	692189	Grommet	832A	699670	Guard-Muffler (Round Lo Tone)
333	496914	Armature-Magneto	534	691417	Screw (Air Cleaner)	836	690664	Screw (Muffler Guard) (13/32" Long)
334	691061	Screw (Magneto Armature) (1" Long)	535	272235	Filter-Air Cleaner Foam (Used Before Code Date 02090100).	842	★691870	Seal-O Ring (Dipstick Tube)
335	691107	Screw (Magneto Armature With Air Vane) (1 15/16" Long)	535A	698369	Filter-Air Cleaner Foam (Used After Code Date 02083000).	847	691440	Dipstick/Tube Assembly
337	802592	Plug-Spark	536A	698472	Cleaner-Air	851	493880	Terminal-Spark Plug
356	692390	Wire-Stop	592	690800	Nut (Rewind Starter)	869	699641	Seat-Valve (Intake) (Used After Code Date 03080300). ----- Note ----- 691701 Seat-Valve (Intake) (Used Before Code Date 03080400).
358	699933	Gasket Set-Engine	597	691696	Screw (Pawl Friction Plate)	870	699642	Seat-Valve (Exhaust) (Used After Code Date 03080300). ----- Note ----- 691702 Seat-Valve (Exhaust) (Used Before Code Date 03080400).
363	19069	Puller-Flywheel	608	499706	Starter-Rewind (Used After Code Date 97052500). Used on Type No(s). 1650, 2005B1, 2011.			
365	790029	Screw (Carburetor)	608A	499925	Starter-Rewind (Non Compliance Engines) (Used Before Code Date 97052600). Used on Type No(s). 0050, 0105, 0111, 0130, 0131, 2005E1.			
383	89838	Wrench-Spark Plug	612	496046	Tube-Pick Up			
390	691839	Spring-Choke Diaphragm	613	691413	Screw (Muffler)			
393	691837	Screen-Carburetor	617	270344	Seal-O Ring (Intake Manifold)			
			621	692310	Switch-Stop			
			633	691321	Seal-Choke/Throttle Shaft (Throttle)			

★ Engine Gasket Set-Reference 358
● Carburetor Overhaul Kit-Reference 121

◆ Carburetor Gasket Set-Reference 977
△ Valve Gasket Set-Reference 1095

10B900

REF. NO.	PART NO.	DESCRIPTION	REF. NO.	PART NO.	DESCRIPTION	REF. NO.	PART NO.	DESCRIPTION
871	699643	Bushing-Valve Guide (Exhaust) (Used After Code Date 03080300). ----- Note ----- 231348 Bushing-Valve Guide (Exhaust) (Used Before Code Date 03080400). 63709 Bushing-Valve Guide (Intake)	1036	790715	Label-Emissions (Used After Code Date 04603000). ----- Note ----- 695108 Label-Emissions (Used After Code Date 99083000 and Before Code Date 04070100). 694428 Label-Emissions (Used After Code Date 98123100 and Before Code Date 99100100). 499337 Label-Emissions (Used After Code Date 97100500 and Before Code Date 99010100). 499336 Label-Emissions (Used Before Code Date 97100600).	1058	275508	Operator's Manual
						1095	498526	Gasket Set-Valve
						1210	499901	Pulley/Spring Assembly (Pulley)
						1211	499901	Pulley/Spring Assembly (Spring)
						1330	270962	Repair Manual
883	★Δ691880	Gasket-Exhaust						
913	494409	Seat-Check Valve						
930	691330	Guard-Rewind						
930B	691348	Guard-Rewind						
957	497929	Cap-Fuel Tank						
976	694394	Primer-Carburetor						
1019	497624	Kit-Label						

★ Engine Gasket Set-Reference 358
● Carburetor Overhaul Kit-Reference 121

◆ Carburetor Gasket Set-Reference 977
Δ Valve Gasket Set-Reference 1095