

# Illustrated Parts List

## Model Series

### 96900 to 96999

TYPE NUMBER  
0101 through 0160,  
0213,  
3101 through 3180,  
4002, 4004, 4005,  
7000 through 7051.

#### TO FIND THE CORRECT NUMBER OF THE PART YOU NEED: FOLLOW THE INSTRUCTIONS BELOW

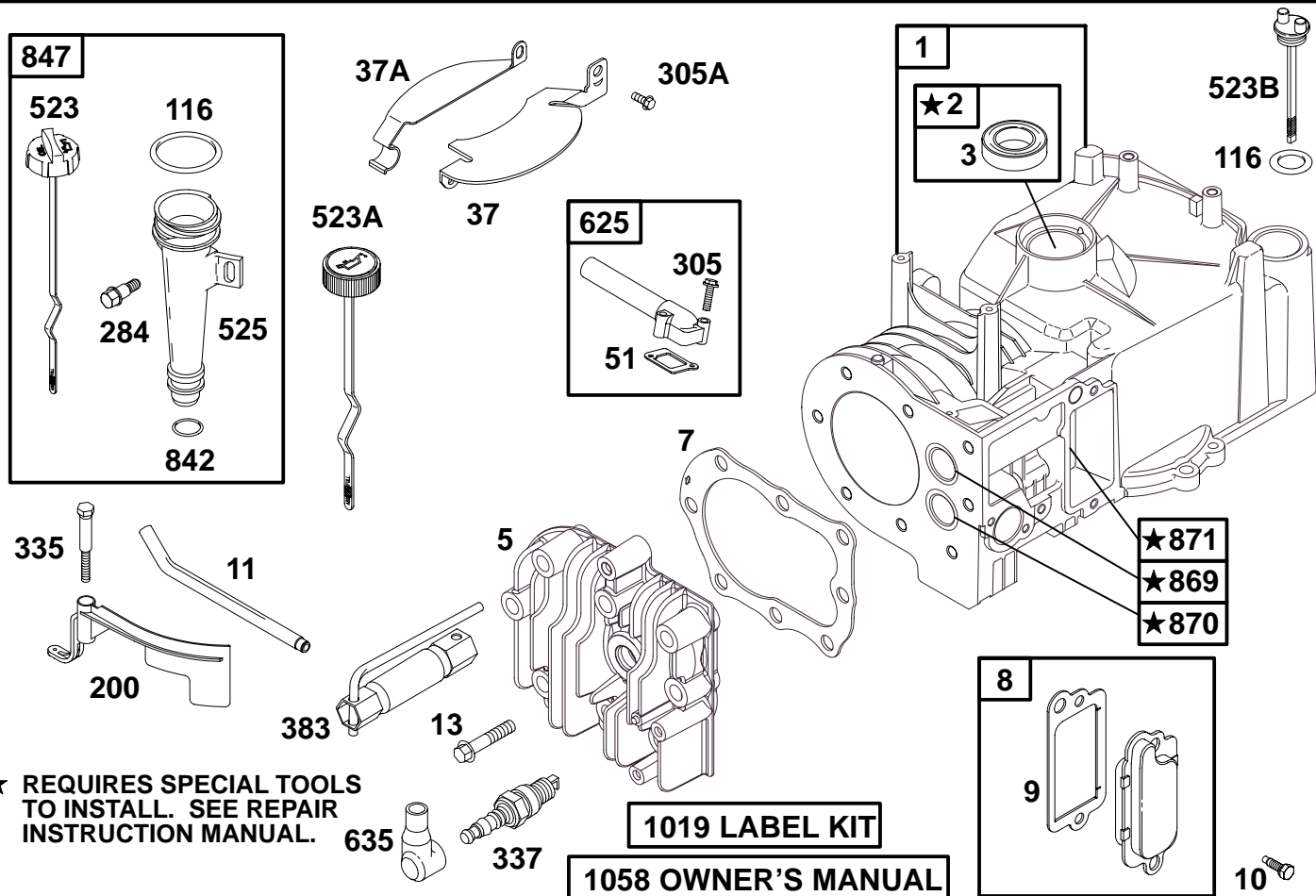
- A. Refer to Engine Model, Type and Code Number that is stamped on the blower housing of engine. Engine type numbers such as 0123 01 are listed only as 0123 in most instances. The two digits (01 or 02, etc.) to the right of the space may be required for more accurate parts identification in some instances. Select the Illustrated Parts List covering the correct Model Series and Type Number.
- B. Refer to the Illustrations and compare the original part with Illustration. The number next to the illustration is the Reference Number. Assemblies include all parts shown in frames. All parts shown in assembly frames having individual reference numbers can be purchased separately.
- C. After the Reference Number has been identified, refer to the Numerical text, where Reference and Primary Part Number are listed. **THE PRIMARY PART IS USED ON ALL TYPE NUMBERS EXCEPT THOSE TYPE NUMBERS UNDER "NOTE."**
- D. If a "Note" appears below the Primary Part Number, it means that this part differs from the Primary Part for certain types. If your Type number is listed under "Note," order the part referred to at the "Note."
- E. If your Engine Type Number does not appear after any part number listed under "Note," use the Primary Part Number.
- F. For Engine Type Numbers not covered by this book, check other Parts Lists having the same engine model or contact your source of supply.

PRINTED IN U.S.A.



COPYRIGHT by BRIGGS & STRATTON CORPORATION  
All rights reserved. No part of this material may be reproduced or transmitted, in any form or by any means, electronic or mechanical, including photocopying, recording or by any information storage and retrieval system, without permission in writing from Briggs & Stratton Corporation.

# 96900 to 96999



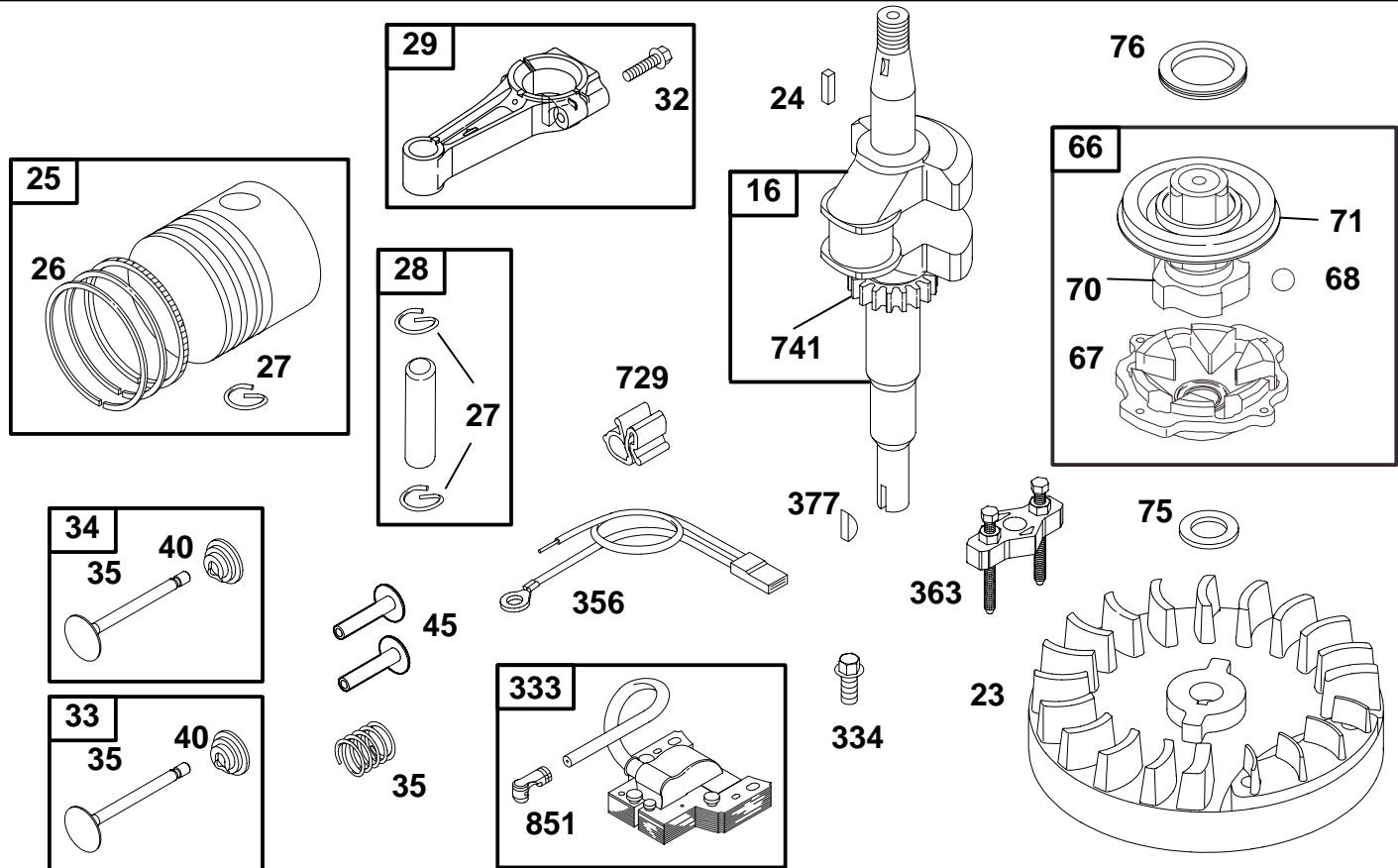
★ REQUIRES SPECIAL TOOLS TO INSTALL. SEE REPAIR INSTRUCTION MANUAL.

REF. NO.	PART NO.	DESCRIPTION	REF. NO.	PART NO.	DESCRIPTION	REF. NO.	PART NO.	DESCRIPTION	
1	399164	Cylinder Assembly	116	270920	Seal-O-Ring	523B	281081	Dipstick	
2	293708	Bushing	200	281024	Blade-Governor	525	280578	Tube-Oil Fill	
3	★299819	Seal-Oil	284	94073	Screw-Shoulder	625	298775	Manifold-Intake	
5	213942	Head-Cylinder	305	93485	Screw-Hex.	635	66538	Boot-Spark Plug	
7	∅★272536	Gasket-Cylinder Head	305A	94153	Screw-Hex.	729	280470	Clip-Wire	
8	495785	Breather-Assembly	335	94732	Screw-Shoulder	842	★271485	Seal-O-Ring	
9	∅★272602	Gasket-Breather	337	802592	Plug-Spark (Resistor Type)	847		Dipstick/Tube Assembly	
10	94621	Screw-Hex.			<b>Note</b>			<b>See Last Pages.</b>	
11	231774	Tube-Breather		492167	Plug-Spark	869	211172	Seat-Valve (Intake)	
13	94960	Screw-Hex. (1-15/16" Long)	383	89838	Wrench-Spark Plug	870	211291	Seat-Valve (Exhaust)	
37	223150	Guard-Flywheel	523	497968	Dipstick (Used After Code Date 95101500).	871	231348	Bushing-Guide (Exhaust)	
37A	224819	Guard-Flywheel (Used After Code Date 92110100).			<b>Note</b>			<b>Note</b>	
		<b>Note</b>		497306	Dipstick (Used Before Code Date 95101600).			63709	Bushing-Guide (Intake)
		222403				1019	496757	Label Kit	
51	★270345	Gasket-Intake	523A	495234	Dipstick (Used Before Code Date 95030600).	1058	272308	Owner's Manual	

★ Included in Gasket Set-Part No. 298989.

∅ Included in Gasket Set-Valve Overhaul-Part No. 498526.

96900 to 96999

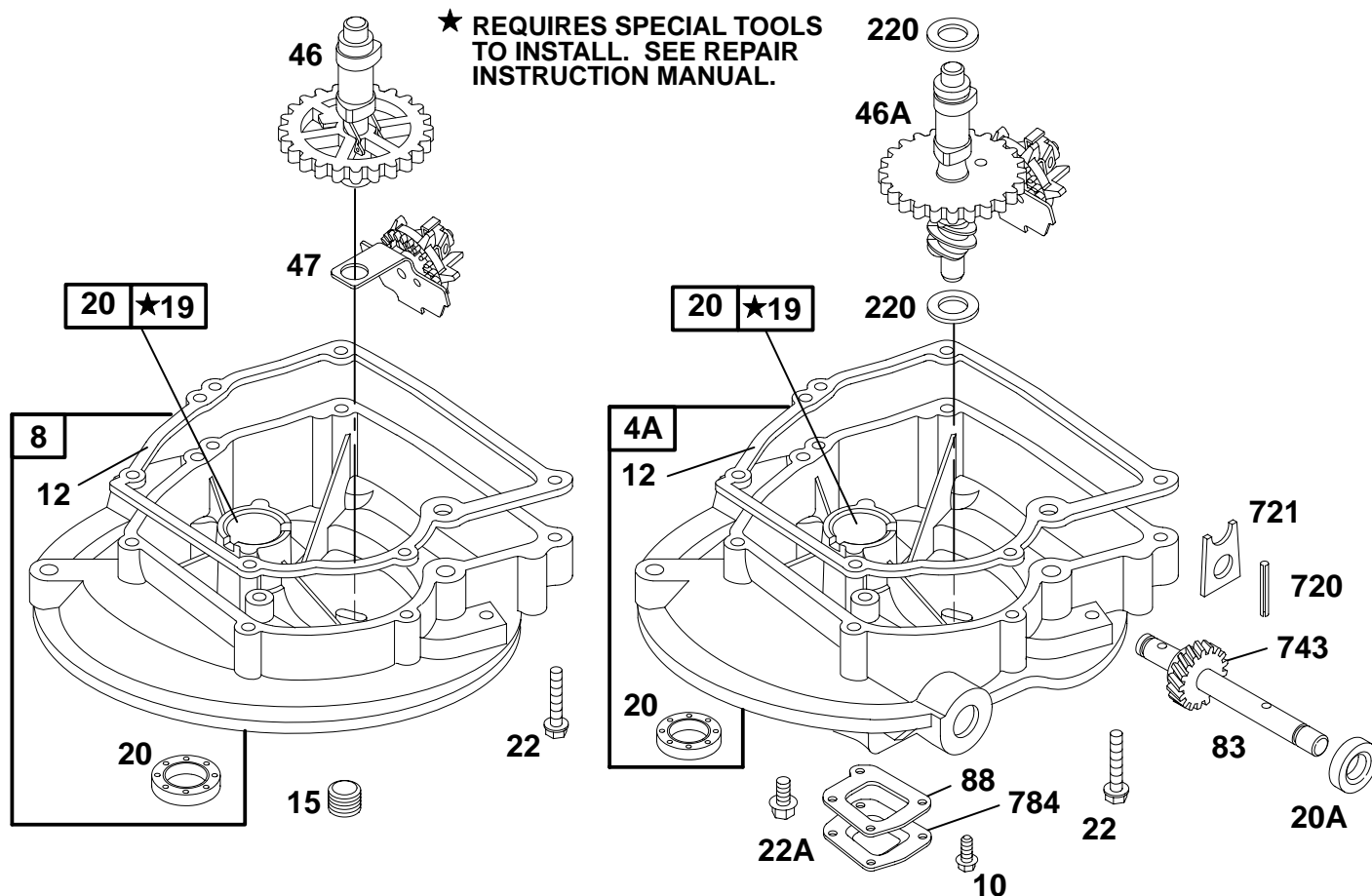


REF. NO.	PART NO.	DESCRIPTION	REF. NO.	PART NO.	DESCRIPTION	REF. NO.	PART NO.	DESCRIPTION
16		Crankshaft <b>See Last Pages.</b>	29	294201	Rod-Connecting <b>Note</b>	76	68238	Seal
23	495046	Flywheel <b>Note</b>		296079	Rod-Conn. (.020" Undersize)	333	496914	Armature-Magneto
		496278 Flywheel Used on Type No(s). 0110, 0111, 0114, 0123, 0129, 0155, 0156, 0157, 4002, 4004, 4005.	32	94699	Screw-Hex.	334	94731	Screw-Hex.
24	222698	Key-Flywheel	33	296676	Valve-Exhaust	356	398808	Wire-Stop <b>Note</b>
25		Piston Assy. <b>See Last Pages</b>	34	296677	Valve-Intake			496381 Wire-Stop (Used After Code Date 93080100).
26		Ring Set <b>See Last Pages</b>	35	260552	Spring-Valve			494934 Wire-Stop (Used Before Code Date 93080200). Used on Type No(s). 3135, 3154.
27	26026	Lock-Piston Pin	40	93312	Retainer-Valve	363	19069	Flywheel-Puller
28	298909	Pin-Piston (Standard) <b>Note</b>	45	230173	Tappet-Valve	377	93065	Key-Woodruff
		298908 Pin-Piston (.005" O.S.)	66	399671	Clutch-Starter	729	280470	Clip-Wire
			67	394897	Housing-Clutch	741	261533	Gear-Timing
			68	63770	Ball-Clutch	851	493880	Terminal-Cable
			70	298799	Ratchet-Clutch			
			71	394506	Cover-Ratchet			
			75	223047	Washer			

★ Included in Gasket Set-Part No. 298989.

Ø Included in Gasket Set-Valve Overhaul-Part No. 498526.

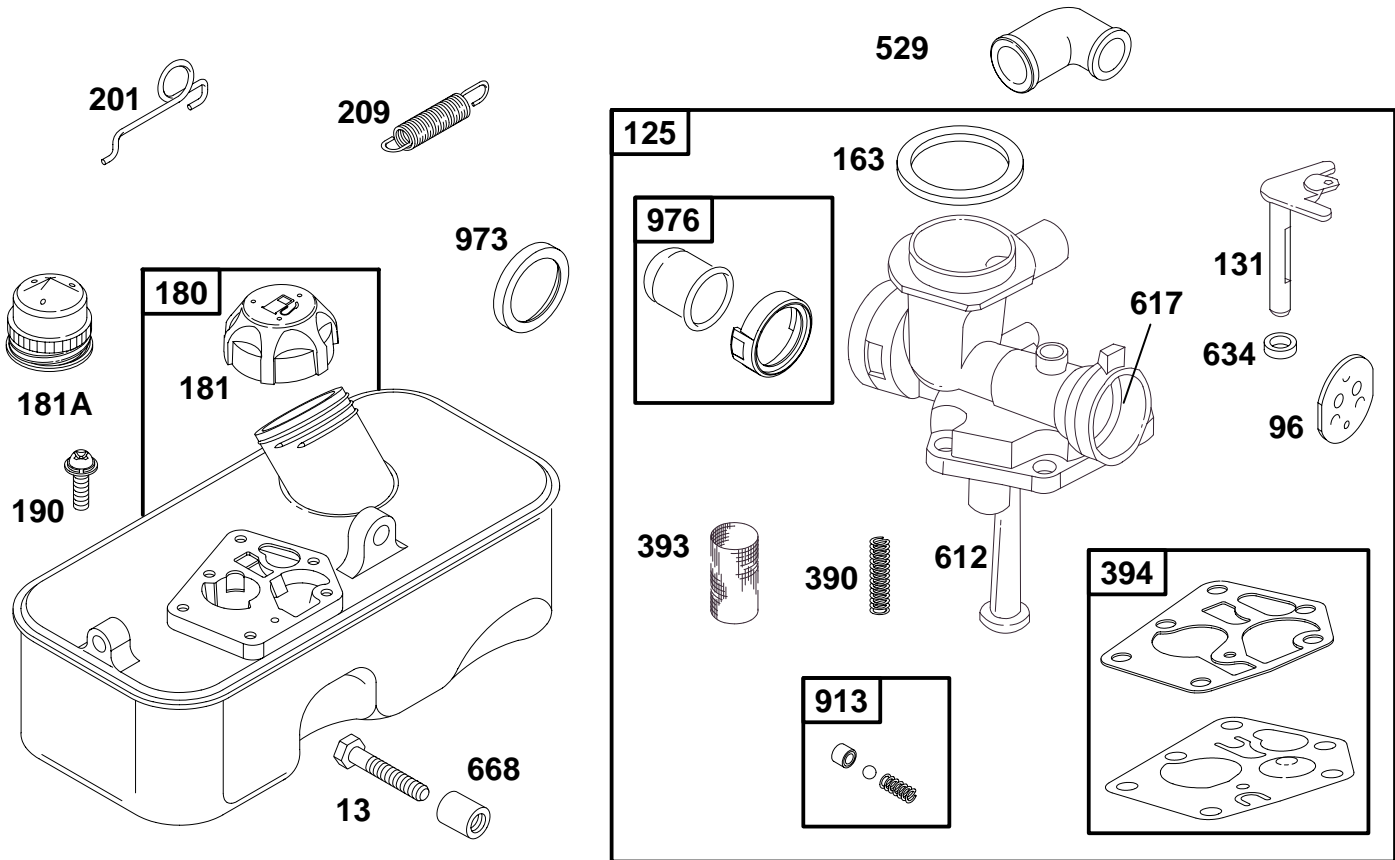
# 96900 to 96999



REF. NO.	PART NO.	DESCRIPTION	REF. NO.	PART NO.	DESCRIPTION	REF. NO.	PART NO.	DESCRIPTION
4	395384	Sump-Engine	46	493747	Gear-Cam	88	★270328	Gasket-Cover
4A	395390	Sump-Engine Used on Model Series 96980 to 96989.	46A	396197	Gear-Cam (Clockwise)	220	68938	Washer-Thrust
10	94621	Screw-Hex.			<b>Note</b>	720	93474	Pin-Shaft
12	★270833	Gasket-Crankcase (.015" Thick, Standard)			395317 Gear-Cam (Counterclockwise)	721	221779	Stop-Shaft
		★270895 Gasket-Crankcase (.005" Thick)			Used on Type No(s). 0127, 3114, 3121, 3131, 3133, 3134, 3149, 3152, 3159, 3164, 3175, 7050.	743	231278	Gear-Drive
		★270896 Gasket-Crankcase (.009" Thick)	47	491688	Slinger-Oil			<b>Note</b>
15	94720	Plug-Oil Drain	83	230831	Shaft-Auxiliary Drive			231279 Gear-Drive Used on Type No(s). 0127, 3114, 3121, 3131, 3133, 3134, 3149, 3152, 3159, 3164, 3175, 7050.
19	293709	Bushing			<b>Note</b>	784	221780	Cover-Gear
20	★391483	Seal-Oil			231213 Shaft-Auxiliary Drive Used on Type No(s). 0127, 3131, 3159, 3164.			
20A	391484	Seal-Oil						
22	94682	Screw-Hex.						
22A	93415	Screw-Hex. Used on Model Series 96980 to 96989.						

★ Included in Gasket Set-Part No. 298989.

Ø Included in Gasket Set-Valve Overhaul-Part No. 498526.

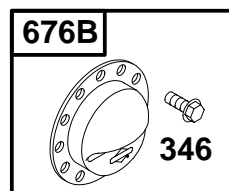
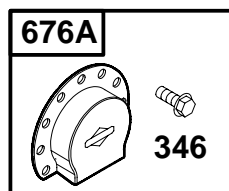
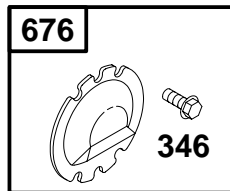
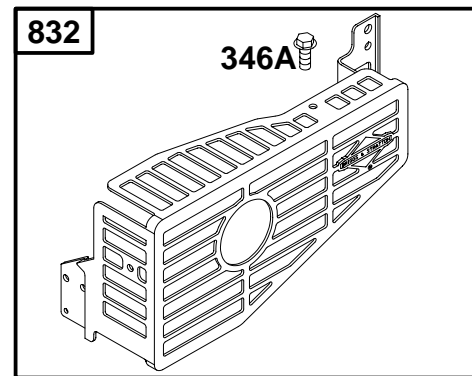
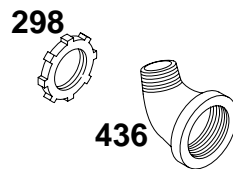
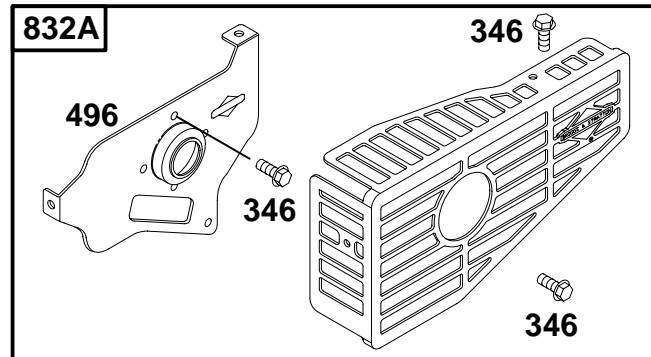
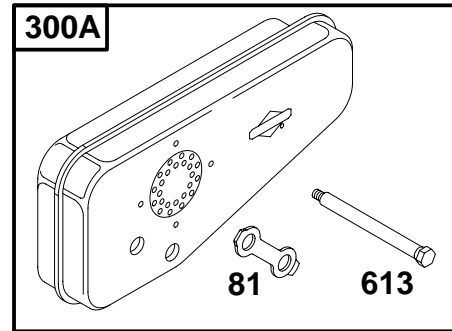
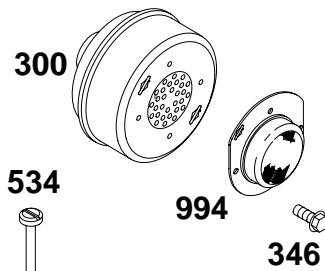
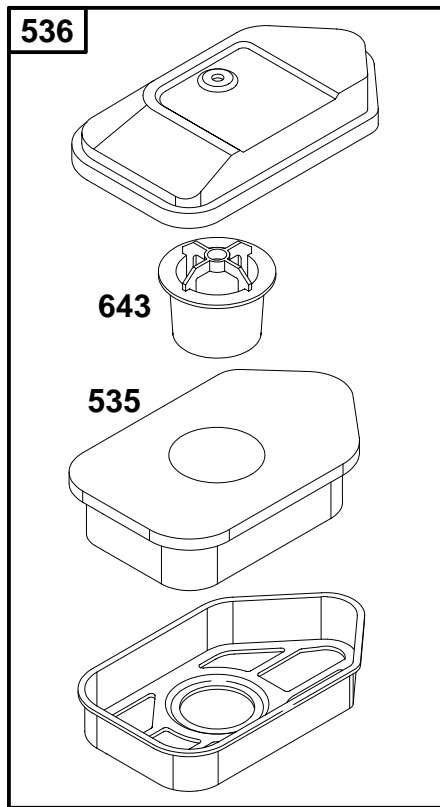


REF. NO.	PART NO.	DESCRIPTION	REF. NO.	PART NO.	DESCRIPTION	REF. NO.	PART NO.	DESCRIPTION
13	93111	Screw-Hex.	181A	493982	Cap-Fuel Tank	668	94047	Spacer-Fuel Tank (Used on Engines Without Band Brake)
96	224412	Valve-Throttle	190	93440	Screw-Phillips	<b>Note</b> <b>94038</b> Spacer (Used on Engines With Band Brake)		
125	498809	Carburetor (Used After Code Date 96051900).	201	262753	Link-Air Vane			
		<b>Note</b>	209		Spring-Governor <b>See Last Pages.</b>	913	494409	Seat-Check Valve
		<b>494775</b> Carburetor (Used Before Code Date 96052900).	390	262764	Spring-Diaphragm	973	281661	Ring-Trim (Primer Bulb)
131	281047	Shaft-Throttle	393	262734	Screen-Carburetor	976	494408	Primer-Carburetor
163	★271139	Gasket-Air Cleaner	394	495770	Diaphragm-Carburetor			
180	494406	Tank-Fuel	529	67838	Grommet			
181	497929	Cap-Fuel Tank	612	496046	Tube-Pickup			
			617	270344	Seal-Intake Manifold			
			634	280566	Washer-Foam			

★ Included in Gasket Set-Part No. 298989.

⊘ Included in Gasket Set-Valve Overhaul-Part No. 498526.

# 96900 to 96999

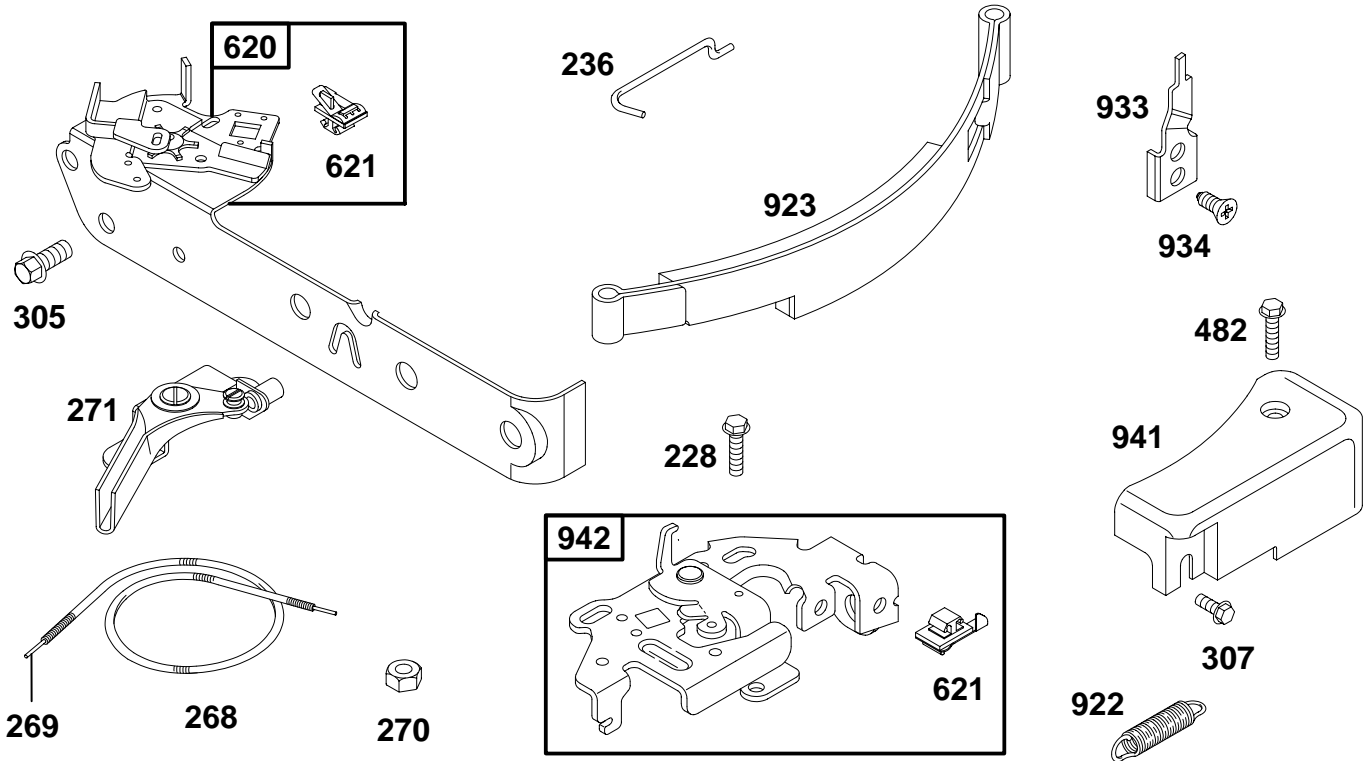


REF. NO.	PART NO.	DESCRIPTION	REF. NO.	PART NO.	DESCRIPTION	REF. NO.	PART NO.	DESCRIPTION
81	223256	Lock-Muffler Screw	436	92989	Manifold-Exhaust	676	393756	Deflector-Muffler
298	220859	Locknut-Muffler	496	223600	Bracket-Guard	676A	393760	Deflector-Muffler
300	394569	Muffler-Exhaust (Lo Tone)	534	93865	Screw-Slotted	676B	396548	Deflector-Muffler
300A	394644	Muffler-Exhaust	535	272235	Filter-Air	832	494896	Guard-Muffler
346	93705	Screw-Hex.	536	493492	Cleaner-Air	832A	493967	Guard-Muffler
346A	94602	Screw-Hex.	613	93935	Screw-Shoulder	994	398067	Arrester-Spark
			643	280972	Retainer-Air Cleaner			

★ Included in Gasket Set-Part No. 298989.

⊘ Included in Gasket Set-Valve Overhaul-Part No. 498526.

96900 to 96999

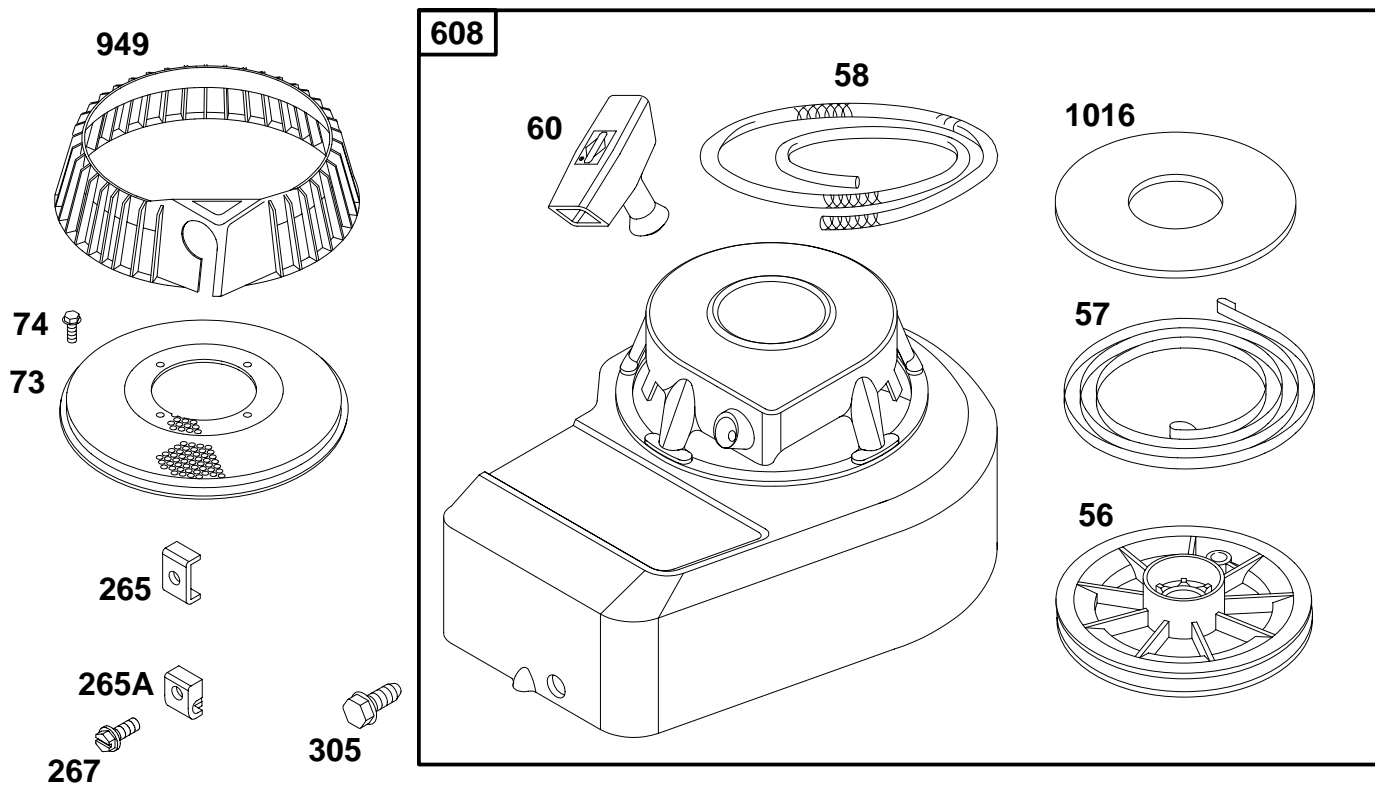


REF. NO.	PART NO.	DESCRIPTION	REF. NO.	PART NO.	DESCRIPTION	REF. NO.	PART NO.	DESCRIPTION
228	94018	Screw-Hex.		494629	Bracket-Control (Used Before Code Date 92070700).		495486	Bracket-Control (Used After Code Date 92060700).
236	262461	Link-Lock-Out			<b>Note</b>		494631	Bracket-Control (Used Before Code Date 92060800). Used on Type No(s). 3126, 3135, 3144, 3148.
268	66986	Casing-Wire (48" Long)		495486	Bracket-Control (Used After Code Date 92060700).		495485	Bracket-Control (Used After Code Date 92070600).
		<b>Note</b>		494630	Bracket-Control (Used Before Code Date 92060800). Used on Type No(s). 3101, 3104, 3106, 3111, 3112, 3113, 3114, 3116, 3117, 3118, 3120, 3121, 3124, 3127, 3128, 3129, 3130, 3131, 3133, 3134, 3136, 3137, 3139, 3140, 3142, 3143, 3145, 3146, 3147, 3149, 3150, 3151, 3152, 3154, 3155, 3156, 3158, 3159, 3162, 3163, 3164, 3175, 3180.		494632	Bracket-Control (Used Before Code Date 92070700). Used on Type No(s). 0111, 0113, 0114, 0213, 7015, 7016, 7018, 7050, 7051.
269	26099	Wire-Control (54" Long)			<b>Note</b>	621	396847	Switch-Stop
		<b>Note</b>				922	261647	Spring-Brake
270	63426	Locknut-Casing				923	394867	Brake
271	290568	Lever-Control				933	223448	Pivot-Band Brake
305	94153	Screw-Hex.				934	94037	Screw-Phillips
307	94515	Screw-Hex.				941	280395	Cover-Linkage
482	93621	Screw-Hex.				942	493248	Bracket-Brake
620	495485	Bracket-Control (Used After Code Date 92070600).						

\* Included in Gasket Set-Part No. 298989.

Ø Included in Gasket Set-Valve Overhaul-Part No. 498526.

# 96900 to 96999

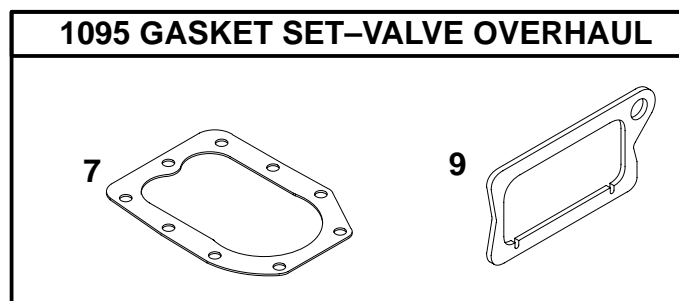
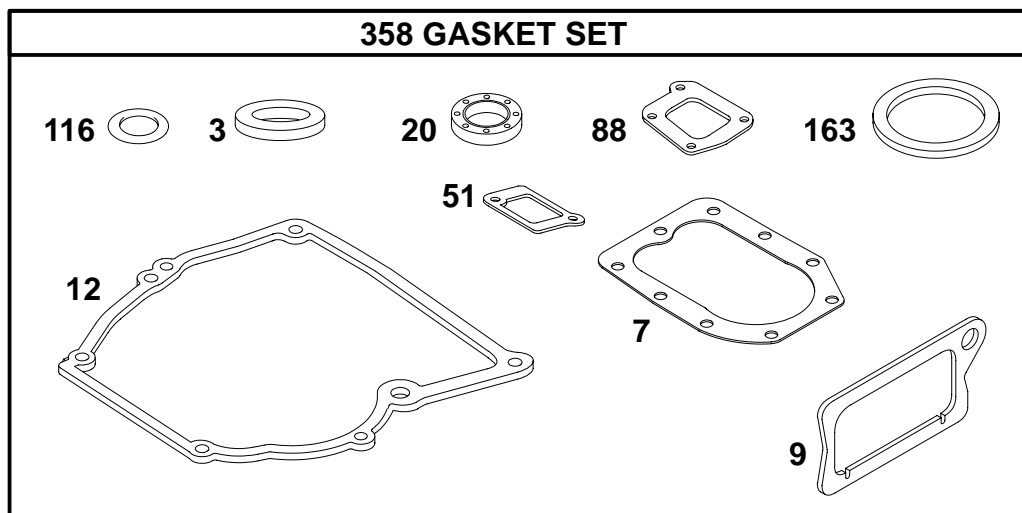


REF. NO.	PART NO.	DESCRIPTION	REF. NO.	PART NO.	DESCRIPTION	REF. NO.	PART NO.	DESCRIPTION
56	280439	Pulley-Starter	60	393152	Grip-Starter Rope	949	281192	Guard-Rewind (Used After Code Date 91080400).
57	490179	Spring-Rewind Starter	73	221661	Screen-Rotating			<b>Note</b>
58	280406	Rope-Starter (Cut to Required Length)	74	93758	Screw-Hex.			<b>280684</b> Guard-Rewind (Used Before Code Date 91080500).
		<b>Note</b>	265	22372	Clamp-Casing	1016	490817	Spacer-Rewind
		<b>280399</b> Rope-Starter (Cut to Required Length)	265A	213146	Clamp-Casing			
			267	94694	Screw-Hex.			
			305	94153	Screw-Hex.			
			608		Starter-Rewind <b>See Last Pages.</b>			

★ Included in Gasket Set-Part No. 298989.

⊘ Included in Gasket Set-Valve Overhaul-Part No. 498526.





REF. NO.	PART NO.	DESCRIPTION	REF. NO.	PART NO.	DESCRIPTION	REF. NO.	PART NO.	DESCRIPTION
3	★299819	Seal-Oil	12	★270833	Gasket-Crankcase (.015")	20	★391483	Seal-Oil
7	∅★272536	Gasket-Cylinder Head		★270895	Gasket-Crankcase (.005")	51	★270345	Gasket-Intake
9	∅★272602	Gasket-Breather		★270896	Gasket-Crankcase (.009")	88	★270328	Gasket-Cover
						116	★271485	Seal-O-Ring
						163	★271139	Gasket-Air Cleaner
						358	298989	Gasket Set
						1095	498526	Gasket Set-Valve Overhaul

★ Included in Gasket Set-Part No. 298989.

∅ Included in Gasket Set-Valve Overhaul-Part No. 498526.

## 96900 to 96999

REF. NO.	PART NO.	DESCRIPTION	REF. NO.	PART NO.	DESCRIPTION	REF. NO.	PART NO.	DESCRIPTION		
16	492748	Crankshaft <b>Note</b> ——— To Replace Crankshaft Gear Pin— Order Part No. <b>499047.</b> <b>492086</b> Crankshaft Used on Type No(s). 0106, 0109, 0119, 0120, 0122, 0123, 0127, 0129, 0130, 0155, 0213, 3106, 3111, 3112, 3118, 3121, 3126, 3127, 3128, 3142, 3143, 3144, 3148, 3149, 3156, 3162, 4005, 7016. <b>493618</b> Crankshaft Used on Type No(s). 3139. <b>494564</b> Crankshaft Used on Type No(s). 0124, 0156, 3120, 3124, 3137, 3146, 3150, 7018.	26	498680	Ring Set (Standard) (Used After Code Date 96020500). <b>498681</b> Ring Set (.010" O.S.) (Used After Code Date 96020500). <b>498682</b> Ring Set (.020" O.S.) (Used After Code Date 96020500). <b>498683</b> Ring Set (.030" O.S.) (Used After Code Date 96020500). <b>Note</b> ——— <b>298982</b> Ring Set (Standard) (Used Before Code Date 96020600). <b>298983</b> Ring Set (.010" O.S.) (Used Before Code Date 96020600). <b>298984</b> Ring Set (.020" O.S.) (Used Before Code Date 96020600). <b>298985</b> Ring Set (.030" O.S.) (Used Before Code Date 96020600).	209	262760	Spring—Governor (Used After Code Date 93013100). <b>262759</b> Spring—Gov. (Used Before Code Date 93020100). <b>Note</b> ——— <b>262759</b> Spring—Gov. (Used After Code Date 93013100). <b>262757</b> Spring—Gov. (Used Before Code Date 93020100). Used on Type No(s). 3120, 3124, 3126, 3127, 3129, 3131, 3137, 3142, 3143, 3148, 3159, 3162, 7015, 7016, 7018.	262759	Spring—Gov. (Used After Code Date 93013100). <b>262756</b> Spring—Gov. (Used Before Code Date 93020100). Used on Type No(s). 3133. <b>262760</b> Spring—Gov. Used on Type No(s). 0105, 0110, 0160. <b>262761</b> Spring—Gov. (Used After Code Date 93013100). <b>262759</b> Spring—Gov. (Used Before Code Date 93020100). Used on Type No(s). 0108, 0117, 0118, 3139, 3140, 3150, 3151. <b>262762</b> Spring—Gov. (Used After Code Date 93013100). <b>262760</b> Spring—Gov. (Used Before Code Date 93020100). Used on Type No(s). 3118, 3135, 3154. <b>262942</b> Spring—Gov. (Used After Code Date 93013100). <b>262762</b> Spring—Gov. (Used Before Code Date 93020100). Used on Type No(s). 0107, 0116, 0122, 0124, 0129, 0156, 0159, 0213. <b>262943</b> Spring—Gov. (Used After Code Date 93013100). <b>262761</b> Spring—Gov. (Used Before Code Date 93020100). Used on Type No(s). 0113, 0123, 0157, 4002.
25	498668	Piston Assy. (Standard) (Used After Code Date 96020500). <b>498669</b> Piston Assy. (.010" O.S.) (Used After Code Date 96020500). <b>498670</b> Piston Assy. (.020" O.S.) (Used After Code Date 96020500). <b>498671</b> Piston Assy. (.030" O.S.) (Used After Code Date 96020500). <b>Note</b> ——— <b>298904</b> Piston Assy. (Standard) (Used Before Code Date 96020600). <b>298905</b> Piston Assy. (.010" O.S.) (Used Before Code Date 96020600). <b>298906</b> Piston Assy. (.020" O.S.) (Used Before Code Date 96020600).	209	262760	Spring—Governor (Used After Code Date 93013100). <b>262759</b> Spring—Gov. (Used Before Code Date 93020100). <b>Note</b> ——— <b>262759</b> Spring—Gov. (Used After Code Date 93013100). <b>262757</b> Spring—Gov. (Used Before Code Date 93020100). Used on Type No(s). 3120, 3124, 3126, 3127, 3129, 3131, 3137, 3142, 3143, 3148, 3159, 3162, 7015, 7016, 7018.	262759	Spring—Gov. (Used After Code Date 93013100). <b>262756</b> Spring—Gov. (Used Before Code Date 93020100). Used on Type No(s). 3133. <b>262760</b> Spring—Gov. Used on Type No(s). 0105, 0110, 0160. <b>262761</b> Spring—Gov. (Used After Code Date 93013100). <b>262759</b> Spring—Gov. (Used Before Code Date 93020100). Used on Type No(s). 0108, 0117, 0118, 3139, 3140, 3150, 3151. <b>262762</b> Spring—Gov. (Used After Code Date 93013100). <b>262760</b> Spring—Gov. (Used Before Code Date 93020100). Used on Type No(s). 3118, 3135, 3154. <b>262942</b> Spring—Gov. (Used After Code Date 93013100). <b>262762</b> Spring—Gov. (Used Before Code Date 93020100). Used on Type No(s). 0107, 0116, 0122, 0124, 0129, 0156, 0159, 0213. <b>262943</b> Spring—Gov. (Used After Code Date 93013100). <b>262761</b> Spring—Gov. (Used Before Code Date 93020100). Used on Type No(s). 0113, 0123, 0157, 4002.			

\* Included in Gasket Set—Part No. 298989.

**96900 to 96999**

REF. NO.	PART NO.	DESCRIPTION	REF. NO.	PART NO.	DESCRIPTION	REF. NO.	PART NO.	DESCRIPTION
608	497803	<p><b>Rewind Starters for Band Brake Engines</b></p> <p><b>(12 o’Clock)</b> Starter–Rewind (Used After Code Date 95071300). <b>494402</b> Starter–Rewind (Used Before Code Date 95071400).</p> <p><b>(3 o’Clock)</b> <b>497806</b> Starter–Rewind (Used After Code Date 95071300). <b>494738</b> Starter–Rewind (Used Before Code Date 95071400).</p> <p><b>(5 o’Clock)</b> <b>497805</b> Starter–Rewind (Used After Code Date 95071300). <b>494495</b> Starter–Rewind (Used Before Code Date 95071400). ———— <b>Note</b> ———— <b>497788</b> Starter–Rewind (Used After Code Date 95071300). <b>493748</b> Starter–Rewind (Used Before Code Date 95071400). Used on Type No(s). 0155.</p> <p><b>(6 o’Clock)</b> <b>497802</b> Starter–Rewind (Used After Code Date 95071300). <b>494291</b> Starter–Rewind (Used Before Code Date 95071400).</p>			<p><b>(8 o’Clock)</b> <b>494456</b> Starter–Rewind (Used Before Code Date 95071400). Used on Type No(s). 3118.</p> <p><b>(11 o’Clock)</b> <b>497807</b> Starter–Rewind (Used After Code Date 95071300). <b>494913</b> Starter–Rewind (Used Before Code Date 95071400).</p> <p><b>Rewind Starters for Non–Band Brake Engines</b></p> <p><b>(12 o’Clock)</b> <b>497784</b> Starter–Rewind (Used After Code Date 95071300). <b>493469</b> Starter–Rewind (Used Before Code Date 95071400).</p> <p><b>(3 o’Clock)</b> <b>497792</b> Starter–Rewind (Used After Code Date 95071300). <b>494571</b> Starter–Rewind (Used Before Code Date 95071400).</p> <p><b>(4 o’Clock)</b> <b>497791</b> Starter–Rewind (Used After Code Date 95071300). <b>494143</b> Starter–Rewind (Used Before Code Date 95071400).</p>			<p><b>(5 o’Clock)</b> <b>497788</b> Starter–Rewind (Used After Code Date 95071300). <b>495825</b> Starter–Rewind (Used Before Code Date 94072000). Used on Type No(s). 0109.</p> <p><b>(6 o’Clock)</b> <b>497787</b> Starter–Rewind (Used After Code Date 95071300). <b>494123</b> Starter–Rewind (Used Before Code Date 95071400).</p> <p><b>(8 o’Clock)</b> <b>497786</b> Starter–Rewind (Used After Code Date 95071300). <b>493594</b> Starter–Rewind (Used Before Code Date 95071400).</p> <p><b>(9 o’Clock)</b> <b>497785</b> Starter–Rewind (Used After Code Date 95071300). <b>493565</b> Starter–Rewind (Used Before Code Date 95071400).</p> <p><b>847 497969</b> Dipstick/Tube Assembly (Used After Code Date 95101500). ———— <b>Note</b> ———— <b>497306</b> Dipstick (Used After Code Date 95030500 and Before Code Date 95101600). <b>399030</b> Dipstick/Tube Assembly (Used Before Code Date 95030600).</p>

★ Included in Gasket Set–Part No. 298989.