

Illustrated Parts List

Model Series

91400 to 91499

TYPE NUMBERS
0120.

TO FIND
THE CORRECT NUMBER OF THE PART YOU NEED:
FOLLOW THE INSTRUCTIONS BELOW

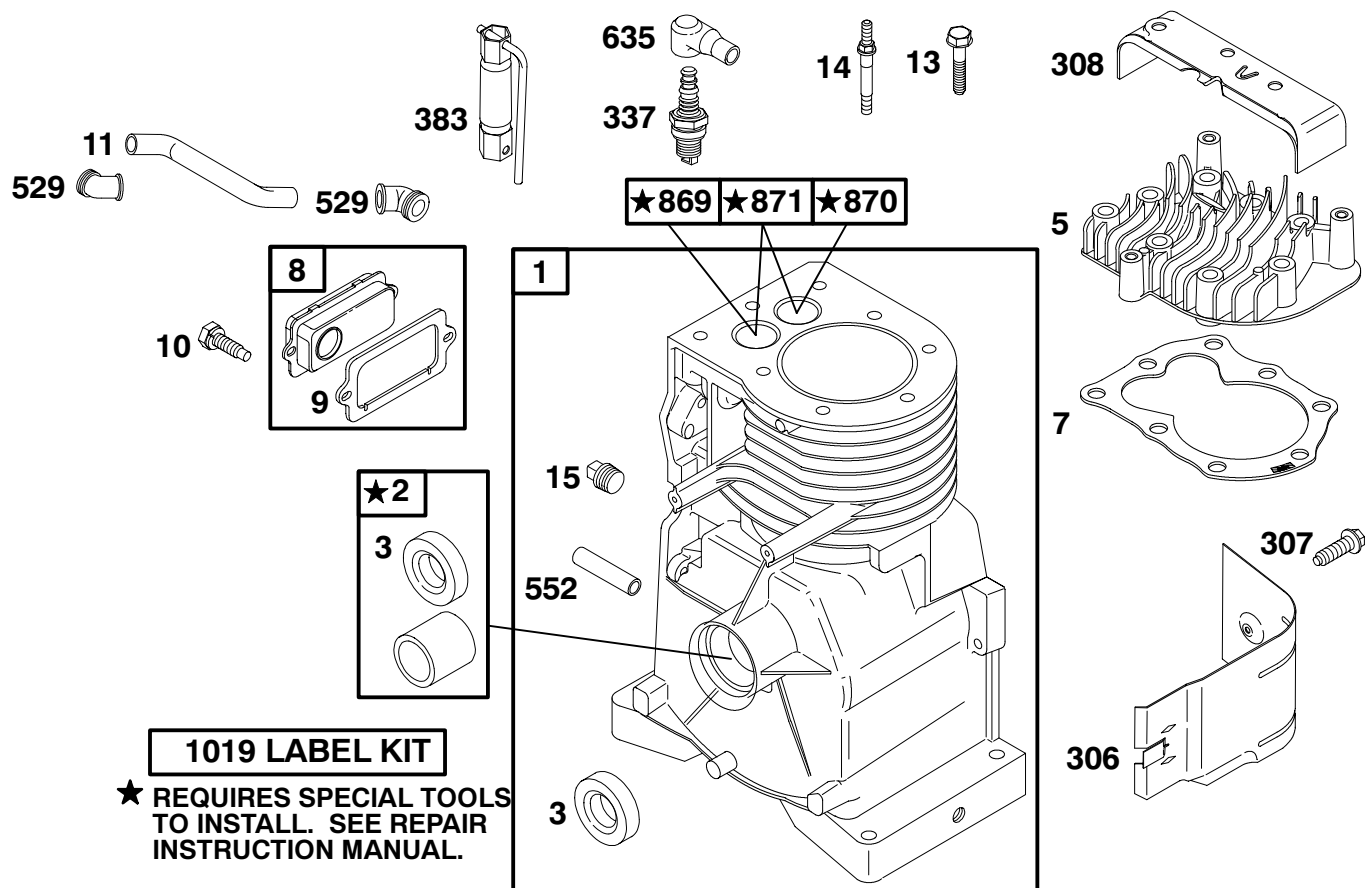
- A. Refer to Engine Model, Type and Code Number that is stamped on the blower housing of engine. Engine type numbers such as 0123 01 are listed only as 0123 in most instances. The two digits (01 or 02, etc.) to the right of the space may be required for more accurate parts identification in some instances. Select the Illustrated Parts List covering the correct Model Series and Type Number.
- B. Refer to the Illustrations and compare the original part with Illustration. The number next to the illustration is the Reference Number. Assemblies include all parts shown in frames. All parts shown in assembly frames having individual reference numbers can be purchased separately.
- C. After the Reference Number has been identified, refer to the Numerical text, where Reference and Primary Part Number are listed. **THE PRIMARY PART IS USED ON ALL TYPE NUMBERS EXCEPT THOSE TYPE NUMBERS UNDER "NOTE."**
- D. If a "Note" appears below the Primary Part Number, it means that this part differs from the Primary Part for certain types. If your Type number is listed under "Note," order the part referred to at the "Note."
- E. If your Engine Type Number does not appear after any part number listed under "Note," use the Primary Part Number.
- F. For Engine Type Numbers not covered by this book, check other Parts Lists having the same engine model or contact your source of supply.

PRINTED IN U.S.A.



COPYRIGHT by BRIGGS & STRATTON CORPORATION
All rights reserved. No part of this material may be reproduced or transmitted, in any form or by any means, electronic or mechanical, including photocopying, recording or by any information storage and retrieval system, without permission in writing from Briggs & Stratton Corporation.

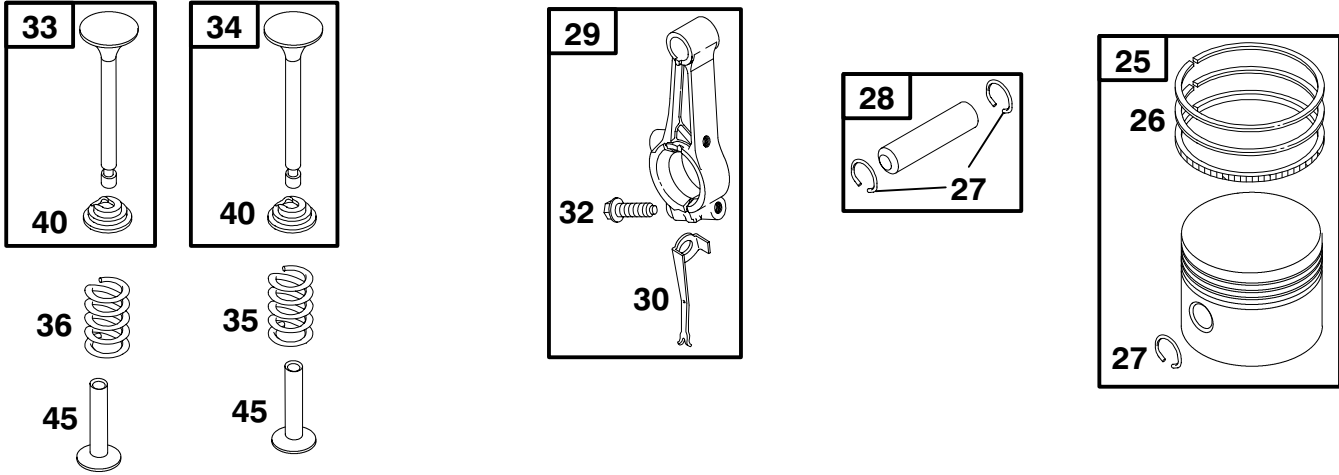
91400 to 91499



REF. NO.	PART NO.	DESCRIPTION	REF. NO.	PART NO.	DESCRIPTION	REF. NO.	PART NO.	DESCRIPTION
1	694161	Cylinder Assembly	13	94221	Screw (Cylinder Head)	383	89838	Sparkplug Wrench
2	399269	Kit -Bushing/Seal (Magneto Side)	14	690361	Stud (Cylinder Head) (Used in Number 4, 6 and 8 Positions)	529	66578	Grommet
3	★299819	Seal-Oil (Magneto Side)	15	94916	Plug-Oil Drain	552	690508	Bushing-Governor Crank
5	690386	Head-Cylinder	306	690461	Shield-Cylinder	635	66538	Boot-Sparkplug
7★	272694	Gasket-Cylinder Head	307	94680	Screw (Cylinder Shield)	869	211172	Seat-Valve (Intake)
8	495774	Breather Assembly	308	690462	Cover-Cylinder Head	870	211291	Seat-Valve (Exhaust)
9★	27549	Gasket-Breather	337	802592	Sparkplug	871	262001	Bushing-Valve Guide
10	94621	Screw (Breather Assembly)				1019	496905	Label Kit
11	691246	Tube-Breather						

★ Included in Engine Gasket Set-Ref. No. 358.
● Included in Carburetor Overhaul Kit-Ref. No. 121.

◆ Included in Carburetor Gasket Set-Ref. No. 977.
● Included in Valve Gasket Set-Ref. No. 1095.

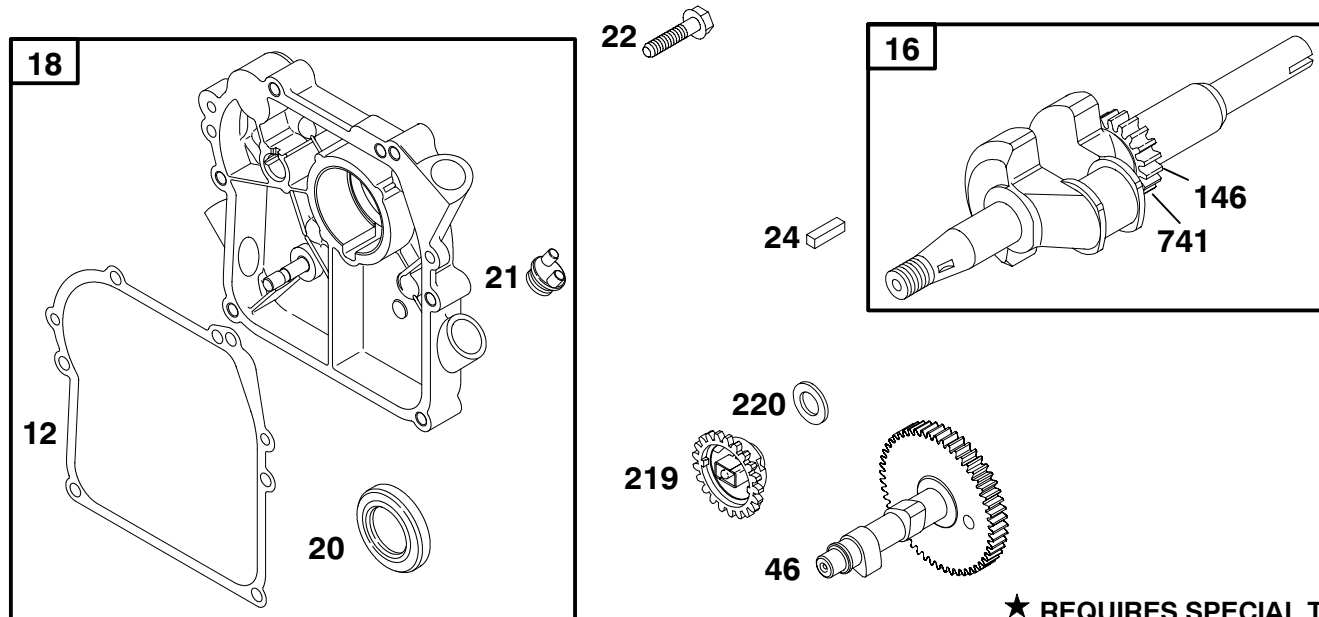


REF. NO.	PART NO.	DESCRIPTION	REF. NO.	PART NO.	DESCRIPTION	REF. NO.	PART NO.	DESCRIPTION
25	498668	Piston Assembly (Standard)	27	26026	Lock-Piston Pin	33	497871	Valve-Exhaust
		----- Note -----	28	298909	Pin-Piston (Standard)	34	296677	Valve-Intake
		498669 Piston Assembly (.010 O.S.)			----- Note -----	35	260552	Spring-Valve (Intake)
		498670 Piston Assembly (.020 O.S.)		298908	Pin-Piston (.005 O.S.)	36	260552	Spring-Valve (Exhaust)
		498671 Piston Assembly (.030 O.S.)	29	294367	Rod-Connecting	40	93312	Retainer-Valve
		----- Note -----			----- Note -----	45	230173	Tappet-Valve
		498671 Piston Assembly (.030 O.S.)	296079	Rod-Connecting (.020 Undersize)				
26	498680	Ring Set (Standard)	30	220670	Dipper-Connecting Rod			
		----- Note -----	32	94699	Screw (Connecting Rod)			
		498681 Ring Set (.010 O.S.)						
		498682 Ring Set (.020 O.S.)						
		498683 Ring Set (.030 O.S.)						

★ Included in Engine Gasket Set-Ref. No. 358.
 ● Included in Carburetor Overhaul Kit-Ref. No. 121.

◆ Included in Carburetor Gasket Set-Ref. No. 977.
 Included in Valve Gasket Set-Ref. No. 1095.

91400 to 91499

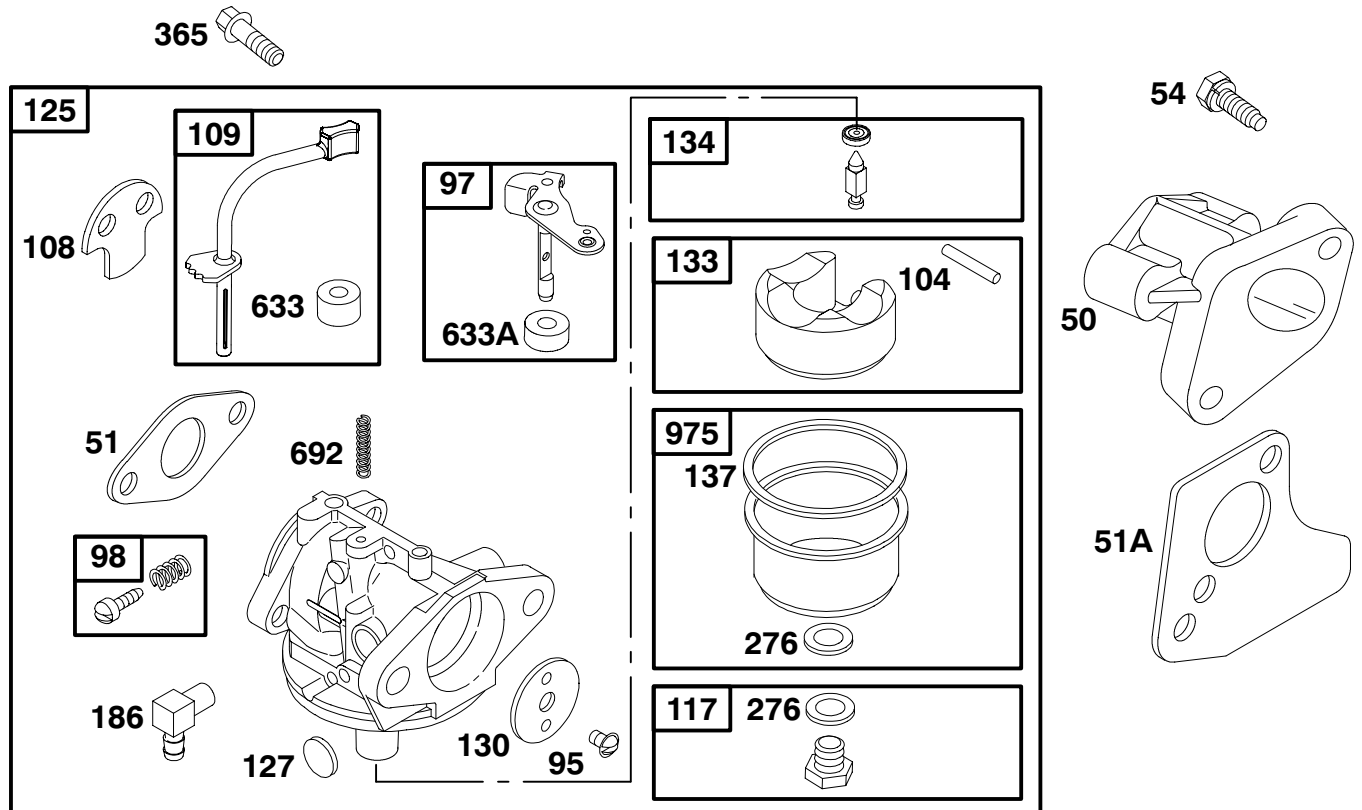


★ **REQUIRES SPECIAL TOOLS TO INSTALL. SEE REPAIR INSTRUCTION MANUAL.**

REF. NO.	PART NO.	DESCRIPTION	REF. NO.	PART NO.	DESCRIPTION	REF. NO.	PART NO.	DESCRIPTION
12	★270833	Gasket-Crankcase (.015 Thick, Standard)	20	691356	Seal-Oil (PTO Side)	24	222698	Key-Flywheel
		----- Note -----	21	66768	Cap-Oil Fill	46	493747	Camshaft
		★270895 Gasket-Crankcase (.005 Thick)	22	691129	Screw (Crankcase Cover)	146	230978	Key-Timing
		★270896 Gasket-Crankcase (.009 Thick)			----- Note -----	219	496786	Gear-Governor
16	399006	Crankshaft			693732 Screw (Crankcase Cover) (Used in Positions 1 and 6)	220	221551	Washer (Governor Gear)
18	496903	Cover-Crankcase				741	261533	Gear-Timing

★ Included in Engine Gasket Set-Ref. No. 358.
 ● Included in Carburetor Overhaul Kit-Ref. No. 121.

◆ Included in Carburetor Gasket Set-Ref. No. 977.
 Included in Valve Gasket Set-Ref. No. 1095.

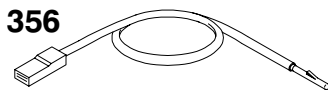
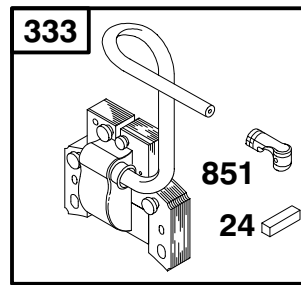
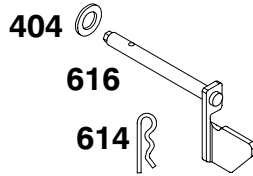
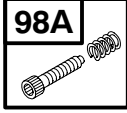
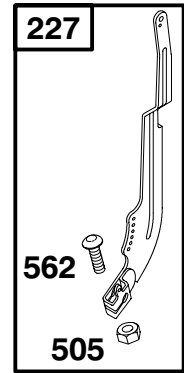
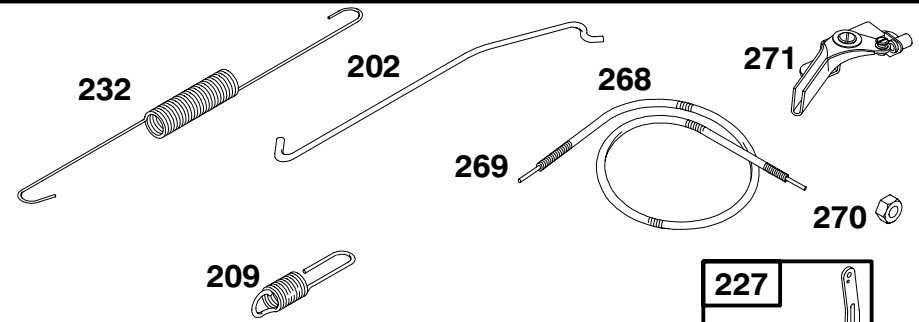
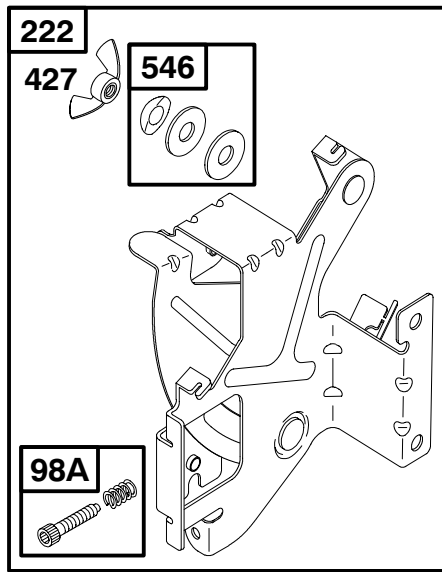


REF. NO.	PART NO.	DESCRIPTION	REF. NO.	PART NO.	DESCRIPTION	REF. NO.	PART NO.	DESCRIPTION
50	281247	Manifold-Intake	117	498981	Jet-Main (Standard)	365	94920	Screw (Carburetor)
51	★ 272295	Gasket-Intake			----- Note -----	633	◆◆693867	Seal-Choke/Throttle Shaft (Choke)
51A	★273113	Gasket-Intake				633A	◆◆691321	Seal-Choke/Throttle Shaft (Throttle)
54	94923	Screw (Intake Manifold)	125	496863	Carburetor	692	690572	Spring-Detent
95	94098	Screw (Throttle Valve)	127	◆223472	Plug-Welch	975	493640	Bowl-Float
97	496861	Shaft-Throttle	130	691181	Valve-Throttle			
98	398185	Kit-Idle Speed (Carburetor)	133	398187	Float-Carburetor			
104	◆691242	Pin-Float Hinge	134	◆398188	Kit-Needle/Seat			
108	692567	Valve-Choke	137	◆◆280492	Gasket-Float Bowl			
109	496860	Shaft-Choke	186	493496	Connector-Hose			
			276	◆◆271716	Washer-Sealing			

★ Included in Engine Gasket Set-Ref. No. 358.
 ● Included in Carburetor Overhaul Kit-Ref. No. 121.

◆ Included in Carburetor Gasket Set-Ref. No. 977.
 Included in Valve Gasket Set-Ref. No. 1095.

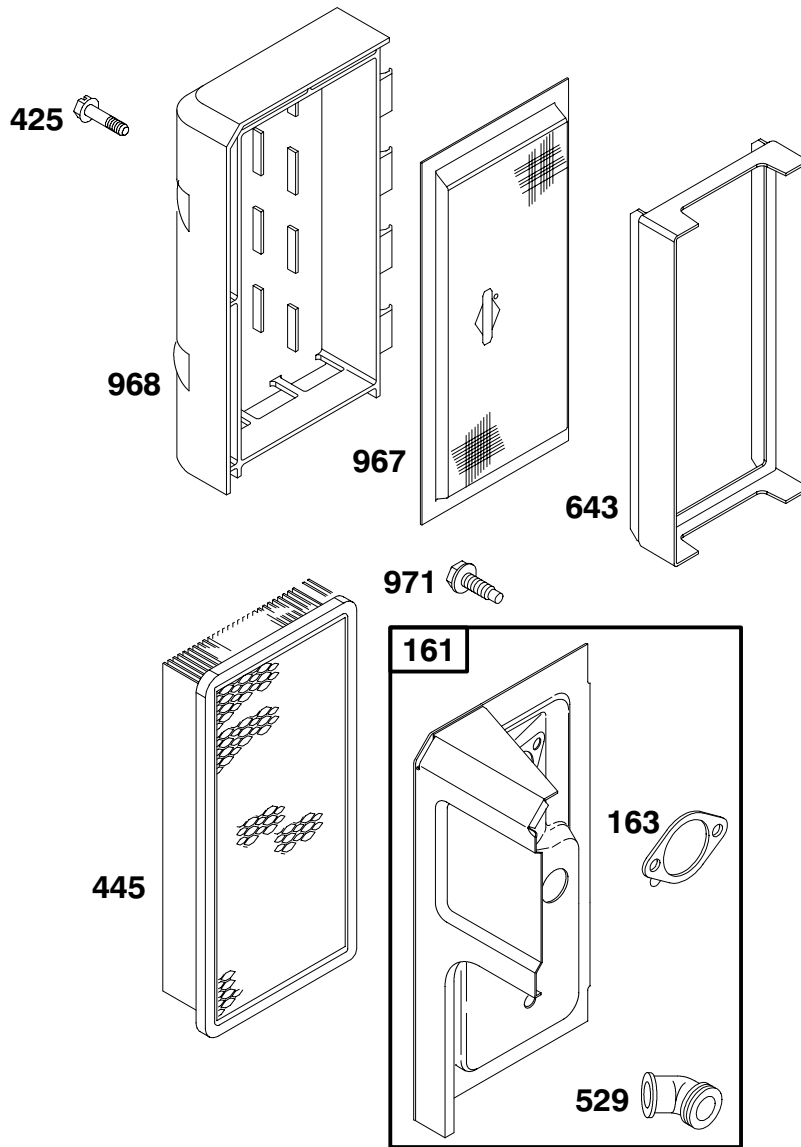
91400 to 91499



REF. NO.	PART NO.	DESCRIPTION	REF. NO.	PART NO.	DESCRIPTION	REF. NO.	PART NO.	DESCRIPTION
24	222698	Key-Flywheel	269	26099	Wire-Control (Cut To Required Length)	504	495659	Washer Set-Friction
98A	493280	Kit-Idle Speed (Control Bracket)	270	63426	Nut (Control Wire Casing)	505	231082	Nut (Governor Control Lever)
188	94118	Screw (Control Bracket)	271	290568	Lever-Control	562	92613	Bolt (Governor Control Lever)
202	692351	Link-Mechanical Governor	333	496914	Armature-Magneto	614	93306	Pin-Cotter
209	263107	Spring-Governor	334	94731	Screw (Magneto Armature)	616	495243	Crank-Governor
222	691411	Bracket-Control	356	690791	Wire-Stop	851	493880	Terminal-Sparkplug
227	691412	Lever-Governor Control	404	94927	Washer (Governor Crank)			
232	262959	Spring-Governor Link	427	690355	Nut (Control Bracket)			
268	691072	Casing-Control Wire (Cut To Required Length)						

★ Included in Engine Gasket Set-Ref. No. 358.
● Included in Carburetor Overhaul Kit-Ref. No. 121.

◆ Included in Carburetor Gasket Set-Ref. No. 977.
◆ Included in Valve Gasket Set-Ref. No. 1095.



REF. NO.	PART NO.	DESCRIPTION	REF. NO.	PART NO.	DESCRIPTION	REF. NO.	PART NO.	DESCRIPTION
161	691393	Base-Air Cleaner	445	494511	Filter-Air Cleaner Cartridge	967	492889	Filter-Pre Cleaner
163	272948	Gasket-Air Cleaner	529	66578	Grommet	968	691327	Cover-Air Cleaner
425	94872	Screw (Air Cleaner Cover)	643	280871	Retainer-Air Filter	971	690370	Screw (Air Cleaner Base)

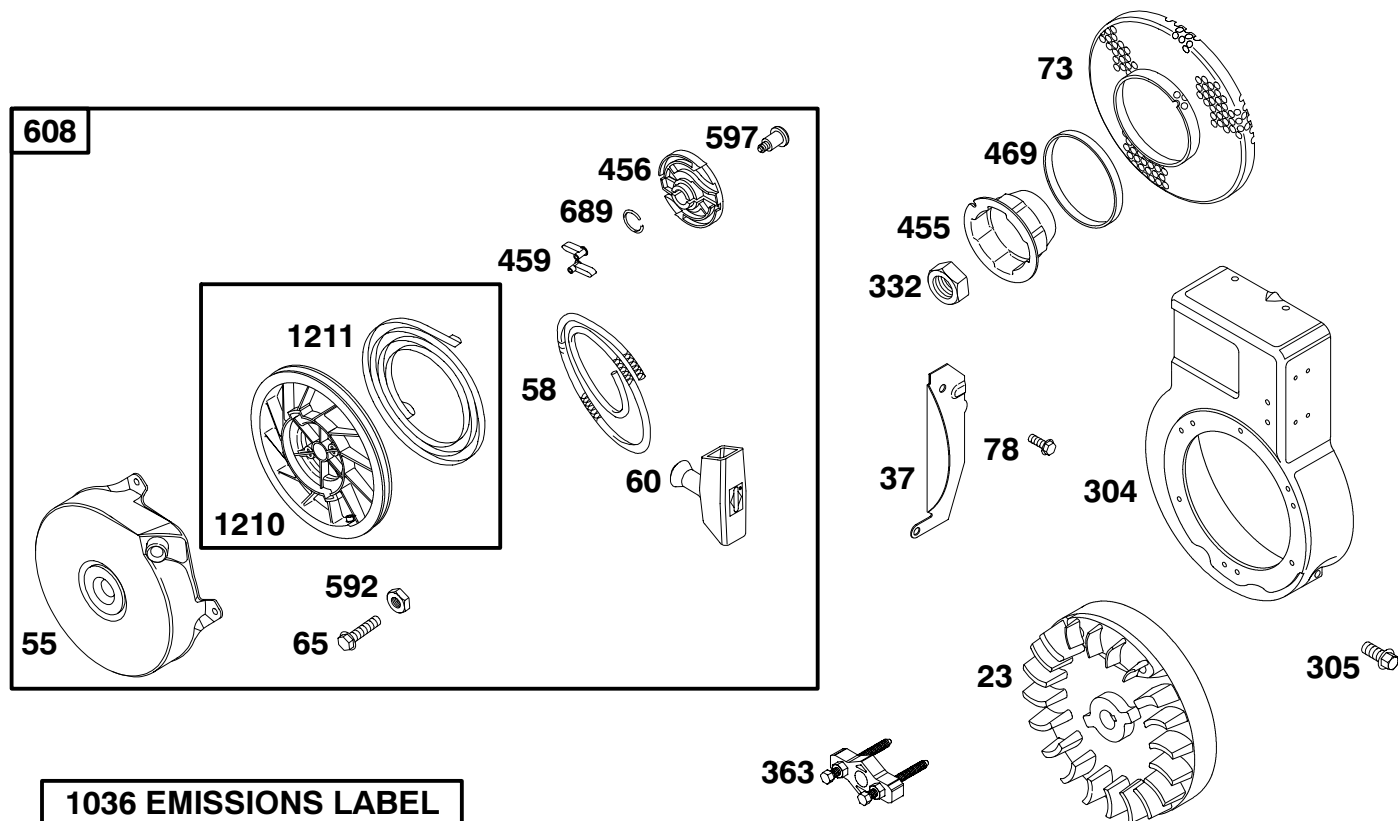
★ Included in Engine Gasket Set-Ref. No. 358.

● Included in Carburetor Overhaul Kit-Ref. No. 121.

◆ Included in Carburetor Gasket Set-Ref. No. 977.

Included in Valve Gasket Set-Ref. No. 1095.

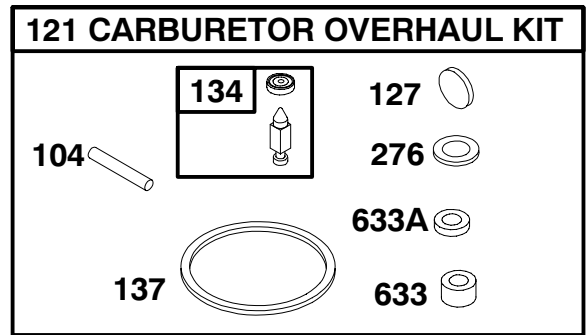
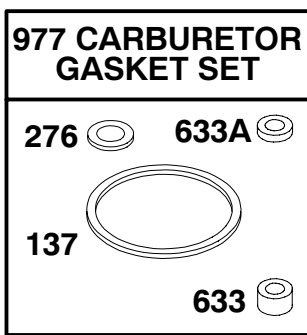
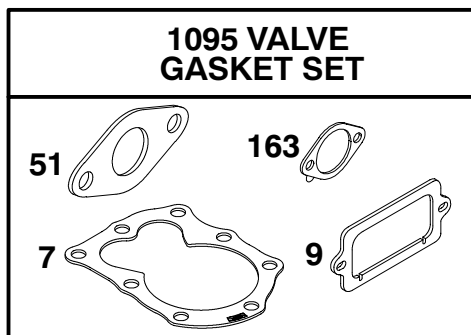
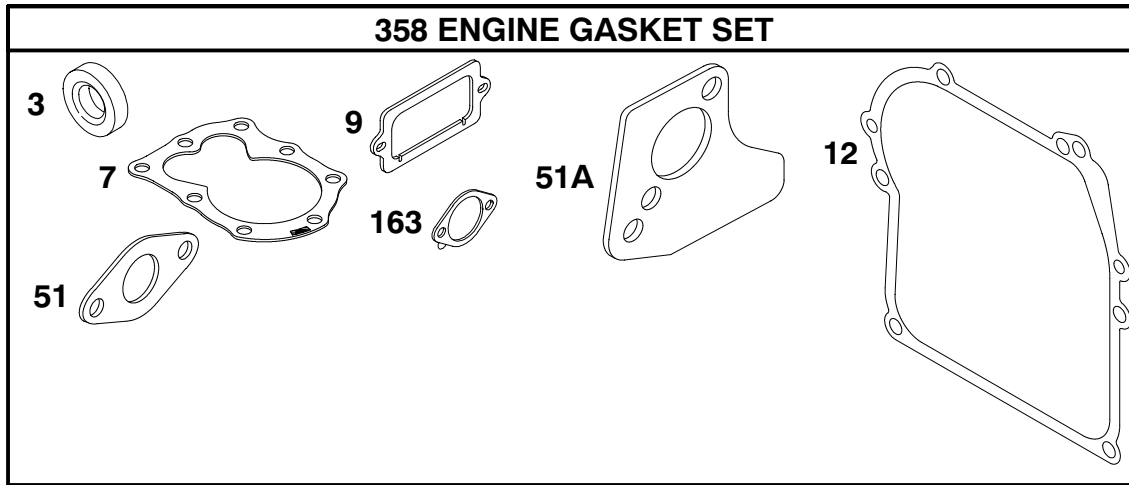
91400 to 91499



REF. NO.	PART NO.	DESCRIPTION	REF. NO.	PART NO.	DESCRIPTION	REF. NO.	PART NO.	DESCRIPTION
23	495046	Flywheel	304	694144	Housing-Blower	597	94943	Screw (Pawl Friction Plate)
37	690463	Guard-Flywheel	305	94786	Screw (Blower Housing)	608	499706	Starter-Rewind
55	692144	Housing-Rewind Starter	332	94877	Nut (Flywheel)	689	263073	Spring-Friction
58	281464	Rope-Starter (Cut to Length)	363	19069	Puller-Flywheel	1036	695098	Label-Emission
60	281101	Grip-Starter Rope	455	691236	Cup-Flywheel	1210	499901	Pulley/Spring Assembly (Pulley)
65	94904	Screw (Rewind Starter)	456	281503	Plate-Pawl Friction	1211	499901	Pulley/Spring Assembly (Spring)
73	694018	Screen-Rotating	459	281505	Pawl-Ratchet			
78	690364	Screw (Flywheel Guard)	469	694420	Rotating Trim Ring			
			592	690800	Nut (Rewind Starter)			

★ Included in Engine Gasket Set-Ref. No. 358.
 ● Included in Carburetor Overhaul Kit-Ref. No. 121.

◆ Included in Carburetor Gasket Set-Ref. No. 977.
 Included in Valve Gasket Set-Ref. No. 1095.



REF. NO.	PART NO.	DESCRIPTION	REF. NO.	PART NO.	DESCRIPTION	REF. NO.	PART NO.	DESCRIPTION
3	★299819	Seal-Oil (Magneto Side)	51	★ 272295	Gasket-Intake	358	496865	Gasket Set-Engine
7	★ 272694	Gasket-Cylinder Head	51A	★273113	Gasket-Intake	633	◆◆693867	Seal-Choke/Throttle Shaft (Choke)
9	★ 27549	Gasket-Breather	104	◆691242	Pin-Float Hinge	633A	◆◆691321	Seal-Choke/Throttle Shaft (Throttle)
12	★270833	Gasket-Crankcase (.015 Thick, Standard)	121	498260	Kit-Carburetor Overhaul	977	490937	Gasket Set-Carburetor
----- Note -----			127	◆223472	Plug-Welch	1095	498525	Gasket Set-Valve
		★270895 Gasket-Crankcase (.005 Thick)	134	◆398188	Kit-Needle/Seat			
		★270896 Gasket-Crankcase (.009 Thick)	137	◆◆280492	Gasket-Float Bowl			
			163	★ 272948	Gasket-Air Cleaner			
			276	◆◆271716	Washer-Sealing (Main Jet)			

★ Included in Engine Gasket Set-Ref. No. 358.
 ◆ Included in Carburetor Overhaul Kit-Ref. No. 121.

◆ Included in Carburetor Gasket Set-Ref. No. 977.
 ◆ Included in Valve Gasket Set-Ref. No. 1095.