

**80300 to 80499**

**81300 to 81499**

# Illustrated Parts List

## Model Series

### 80300 to 80499

TYPE NUMBERS

0010 through 0072

0110 through 0694

2015 through 2049

943000 through 943499

953000 through 953116

### 81300 to 81499

TYPE NUMBERS

0110 through 0334

943500 through 943999

953500 through 953505

#### TO FIND

**THE CORRECT NUMBER OF THE PART YOU NEED:**

**FOLLOW THE INSTRUCTIONS BELOW**

- A. Refer to Engine Model, Type and Code Number that is stamped on the blower housing of engine. Engine type numbers such as 0123 01 are listed herein only as 0123. The two digits (01 or 02, etc.) to the right of the space are not needed for parts identification. Then use the Illustrated Parts List covering the Model Series.
- B. Refer to Illustrated Parts section and compare the old part with illustration. The number on the illustration is the Reference Number. Assemblies include all parts shown in frames. All parts shown in assembly frames on which individual reference numbers are given can be purchased separately.
- C. After the Reference Number has been identified, refer to the Numerical Parts List, where Reference and Master Part Number are listed. **THE MASTER PART IS USED ON ALL TYPE NUMBERS EXCEPT THOSE TYPE NUMBERS UNDER "NOTE".**
- D. If a "Note" appears below the Master Part Number, this means that this part differs from the Master Part for certain types. If the Type number is listed under "Note", order the part referred to.
- E. If the Engine Type Number does not appear after any part number listed under "Note", use the Master Part Number.
- F. For Type Numbers higher than those covered by this book, please refer to the factory if you are unable to identify the part by comparison.

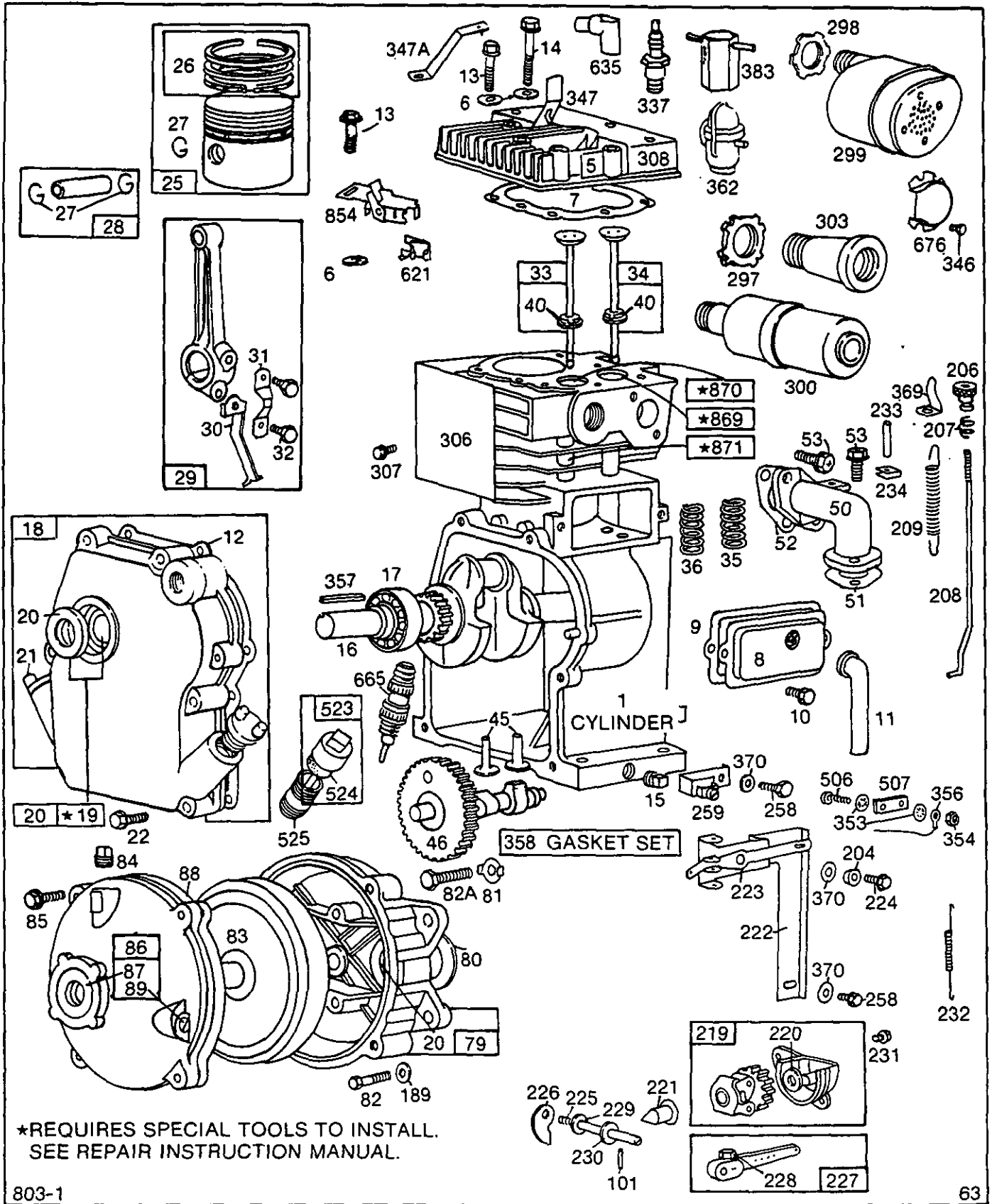
PRINTED IN U.S.A.

COPYRIGHT ©



K&T Saw Shop 606-678-9623 or 606-561-4983

# 80300 to 80499 81300 to 81499

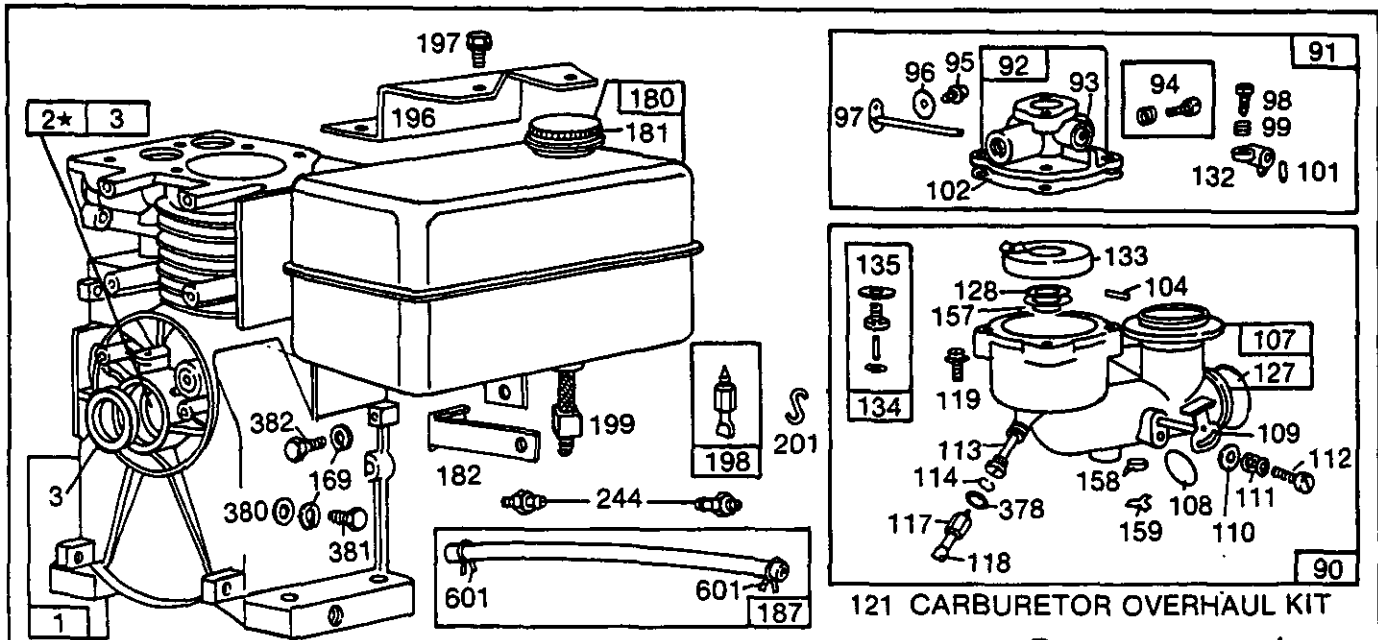


\*REQUIRES SPECIAL TOOLS TO INSTALL.  
SEE REPAIR INSTRUCTION MANUAL.

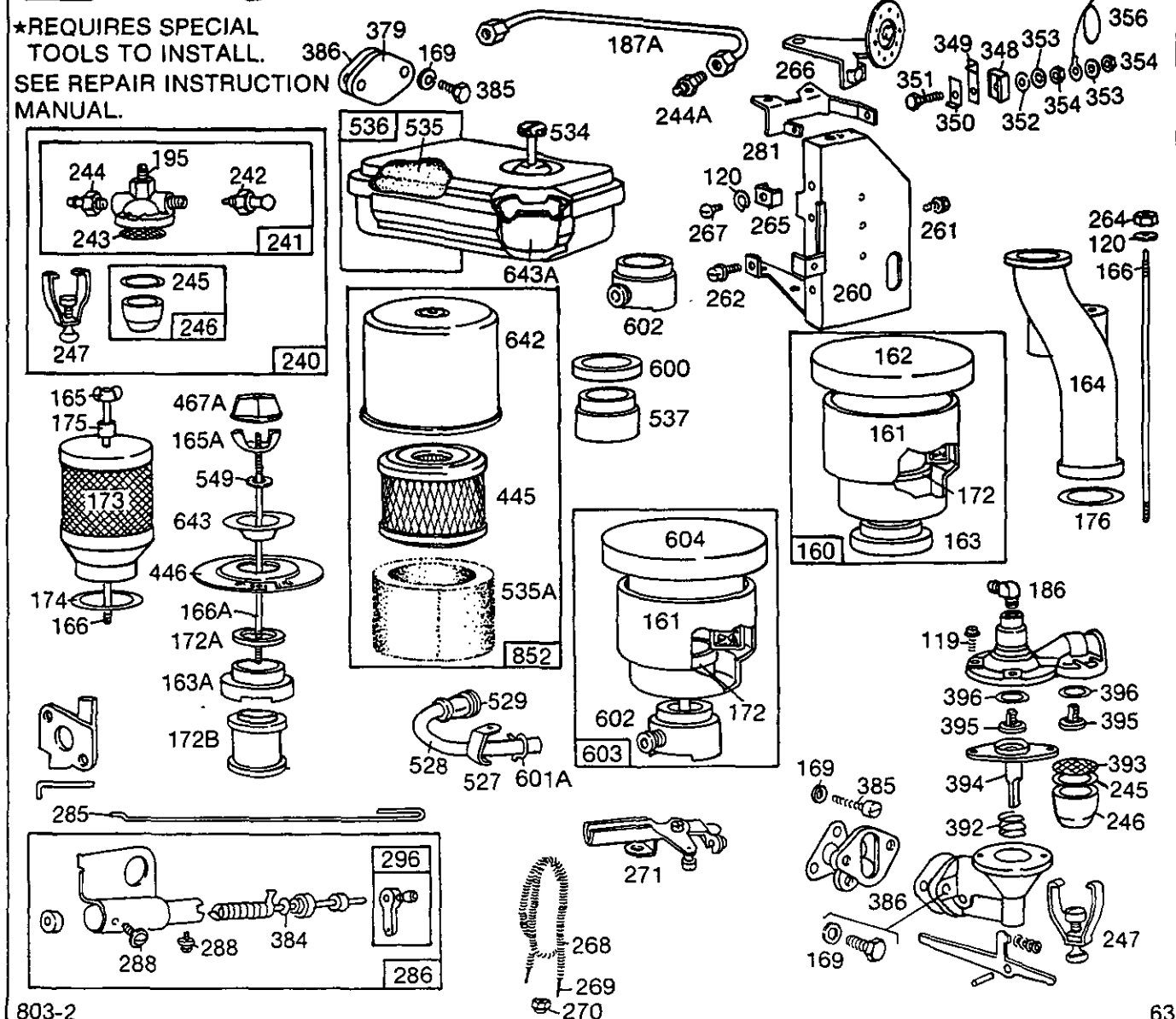
803-1

63

Assemblies include all parts shown in frames.



\*REQUIRES SPECIAL TOOLS TO INSTALL. SEE REPAIR INSTRUCTION MANUAL.

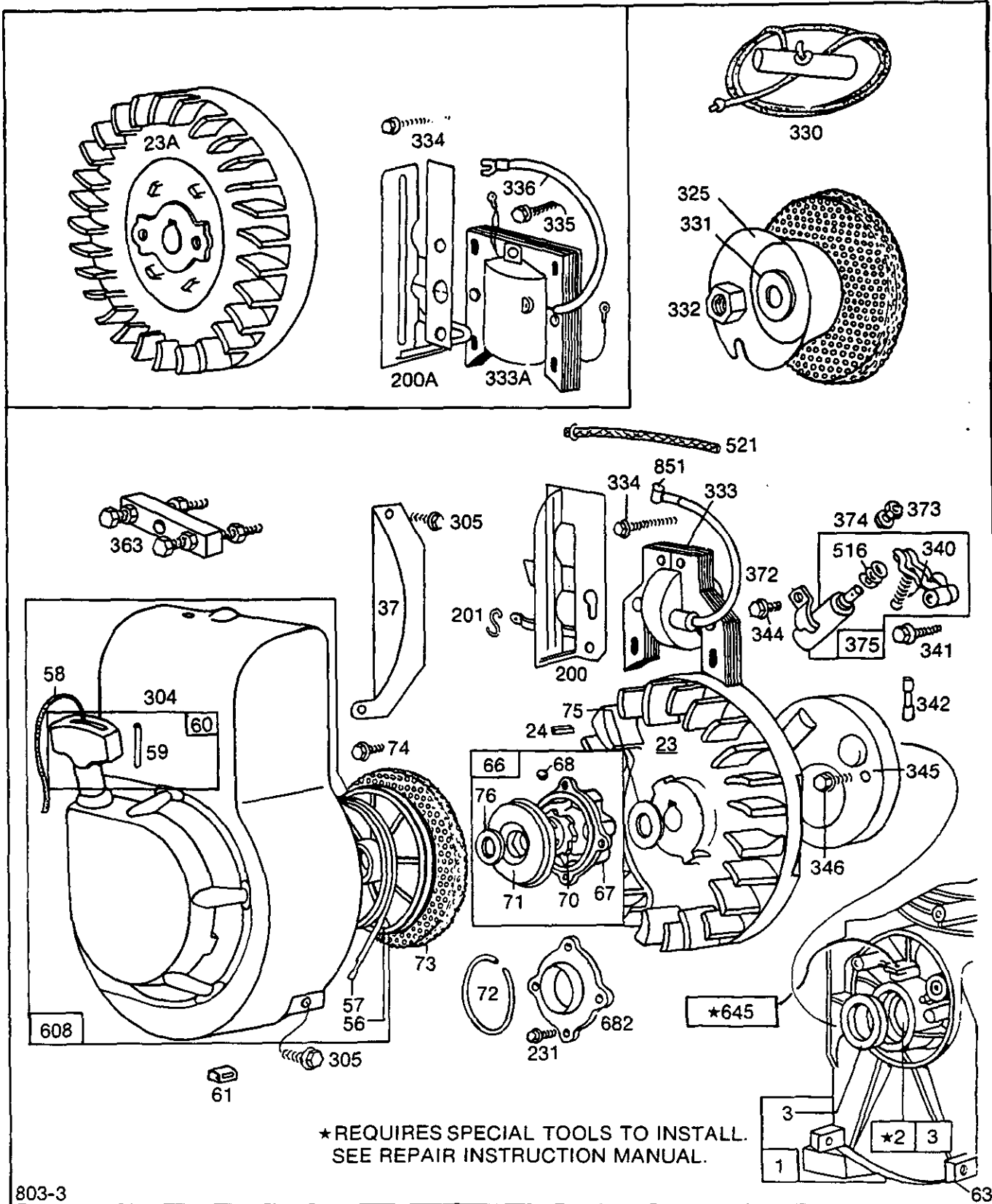


803-2

63

Assemblies include all parts shown in frames.

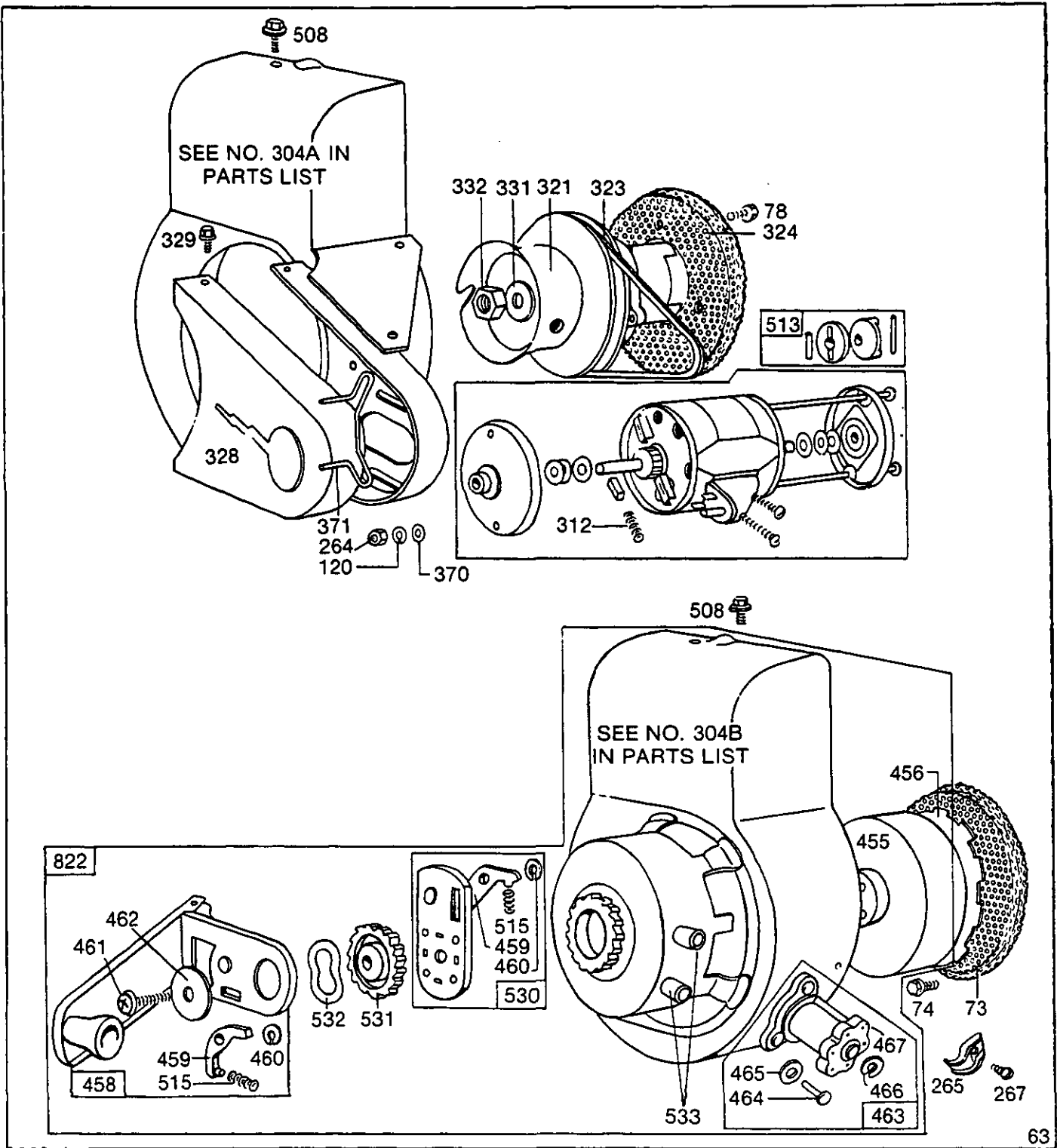
# 80300 to 80499 81300 to 81499



803-3

63

Assemblies include all parts shown in frames.



803-4

Assemblies include all parts shown in frames.

63

| REF. NO. | PART NO. | DESCRIPTION  | REF. NO. | PART NO. | DESCRIPTION   | REF. NO. | PART NO. | DESCRIPTION  |
|----------|----------|--|----------|----------|---|----------|----------|--|
| 1        | 296561   | Cylinder Assembly<br>This group of cylinders used on Model 80300 and 80400 Series.<br><b>Note:</b> 295606 Cylinder Assy. Used on Type Nos. 0051, 0062, 943086, 943116, 943166, 943190, 943209, 943227, 943275, 943365, 943403, 943483.   |          |          | 943212, 943213, 943217, 943255, 943314, 943328, 943348, 943349, 943371, 943392, 943393, 943406, 943412, 943437, 943444, 943492, 953019, 953024, 953046, 953053;<br>Also used on Model 81300, 81400 Series Type Nos. 0150, 0152, 0188, 0238, 0305, 0317, 0326, 0327, 943598, 943621, 943632, 943637, 943660, 943889, 943899, 943911, 943912, 943968, 943994, 943997, 953507. |          |          | 93583 Stud—Cylinder Head (1)<br>Used on Type No. 0633.   |
|          | 296610   | Cylinder Assembly<br>This group of Cylinders used on Model 81300 and 81400 Series.<br><b>Note:</b> 295733 Cylinder Assy. Used on Type Nos. 943581, 943588, 943793, 943811, 943918, 943940.<br>296565 Cylinder Assy. Used on Type No. 943764.   | 8        | 294178   | Breather—Valve Chamber<br><b>Note:</b> 295954 Breather—Valve Chamber Used on Model 80300 Series Type No. 943233;<br>Also used on Model 81300 Series Type Nos. 943686, 943859.   | 14       | 93113    | Screw—Cylinder Head (2-5/16" long)<br><b>Note:</b> 92985 Screw—Cylinder Head (3" long)<br>6336 Spacer<br>One each used on Model 80300, 80400 Series Type No. 943498;<br>Also used on Model 81300, 81400 Series Type Nos. 0161, 0281, 943842, 943973.<br>93583 Stud—Cylinder Head (2)<br>Used on Type No. 0633.   |
| 2        | 293708   | Bushing—Cylinder<br><b>Note:</b> Requires special tools for installation.  | 9        | *27549   | Gasket—Valve Cover  | 15       | 91249    | Plug—Pipe, 1/4" Std., Square Head<br><b>Note:</b> 93448 Plug—Oil Drain (Hex. Socket)<br>Used on Type Nos. 0213, 0507, 0665, 0669.  |
| 3        | 299819   | Seal—Oil   | 10       | 93394    | Screw—Breather Mounting Sem   | 16       | 260257   | Crankshaft<br><b>Note:</b> 260109 Crankshaft Used on Model 80300, 80400 Series Type Nos. 0060, 0235, 0332, 943045, 943053, 943065, 943071, 943082, 943083, 943089, 943100, 943102, 943121, 943127, 943139, 943140, 943159, 943181, 943182, 943183, 943198, 943212, 943236, 943250, 943252, 943270, 943301, 943325, 943341, 943394, 943408, 943429, 943484, 953047; |
| 5        | 210812   | Head—Cylinder  | 11       | 66638    | Tube—Breather   |          |          |  |
| 6        | 22963    | Washer—Plain   | 12       | *270833  | Gasket—Crankcase— .015" thick (Standard)  |          |          |  |
| 7        | *27670   | Gasket—Cylinder Head<br><b>Note:</b> Two 27670 Cylinder Head Gaskets are used on Model 80300, 80400 Series Type Nos. 0196, 0205, 0218, 0231, 0246, 0261, 0263, 0275, 0289, 0366, 0436, 0460, 0487, 0525, 0534, 0557, 0565, 0589, 0591, 0594, 0597, 0600, 0610, 0646, 0649, 0660, 0672, 0675, 0676, 0681, 0682, 943102, 943105, 943136, 943149, 943164, 943181, 943195, 943204, |          | *270895  | Gasket—Crankcase— .005" thick   |          |          |  |
|          |          |  |          | *270896  | Gasket—Crankcase— .009" thick   |          |          |  |
|          |          |  | 13       | 91386    | Screw—Cylinder Head (2" long)<br><b>Note:</b> 92674 Screw—Cylinder Head (2-3/8" long)(1 used)<br>Used on Type Nos. 943546, 943568, 943652.  |          |          |  |

\*Included in Gasket Set—  
Part No. 297275.

| REF. NO. | PART NO. | DESCRIPTION  | REF. NO. | PART NO. | DESCRIPTION  | REF. NO. | PART NO. | DESCRIPTION   |
|----------|----------|--|----------|----------|--|----------|----------|---|
|          |          | Also used on Model<br>81300, 81400, Series<br>Type Nos. 0213, 0272,<br>943534, 943592,<br>943678, 943707,<br>943809, 943843,<br>943917, 943919,<br>943953, 943975.<br><b>260110 Crankshaft</b><br>Used on Model 80300,<br>80400 Series Type<br>Nos. 0120, 0121,<br>0140, 0141, 0189,<br>0195, 0214, 0232,<br>0246, 0288, 0302,<br>0366, 0404, 0417,<br>0460, 0486, 0590,<br>0606, 0609, 0627,<br>0630, 0646, 0678,<br>0682, 0685, 0692,<br>943015, 943016,<br>943021, 943022,<br>943104, 943174,<br>943210, 943213,<br>943217, 943263,<br>943297, 943328,<br>943339, 943384,<br>943385, 943434,<br>943451, 943462,<br>953063, 953066,<br>953074;<br>Also used on Model<br>81300, 81400 Series<br>Type Nos. 0120, 0121,<br>0140, 0141, 0150,<br>0151, 0152, 0153,<br>0188, 0193, 0195,<br>0198, 0201, 0265,<br>0266, 0276, 0297,<br>0316, 0322, 0326,<br>0330, 943515,<br>943516, 943521,<br>943522, 943593,<br>943599, 943611,<br>943625, 943635,<br>943637, 943658,<br>943668, 943722,<br>943747, 943770,<br>943771, 943821,<br>943838, 943868,<br>943899, 943912,<br>943954, 943956,<br>943960, 943988,<br>943997. |          |          | <b>260113 Crankshaft</b><br>Used on Model 80300,<br>80400 Series Type<br>Nos. 0070, 0167,<br>0217, 0222, 0225,<br>0240, 0241, 0242,<br>0243, 0254, 0277,<br>0303, 0304, 0314,<br>0315, 0316, 0318,<br>0328, 0339, 0341,<br>0379, 0385, 0410,<br>0413, 0420, 0455,<br>0469, 0491, 0508,<br>0509, 0567, 0614,<br>0672, 0675,<br>943046, 943047,<br>943067, 943103,<br>943114, 943228,<br>943229, 943232,<br>943237, 943260,<br>943262, 943309,<br>943324, 943336,<br>943398, 943425,<br>943439, 943440,<br>943441, 943480,<br>943481, 943485,<br>943496, 953001,<br>953006, 953007,<br>953064, 953076,<br>953079, 953095;<br>Also used on Model<br>81300, 81400 Series<br>Type Nos. 0211, 0229,<br>0248, 0259, 0277,<br>0294, 0304, 0313,<br>943540, 943572,<br>943582, 943659,<br>943660, 943687,<br>943723, 943739,<br>943774, 943788,<br>943812, 943813,<br>943908, 943998,<br>953510.<br><b>260121 Crankshaft</b><br>Used on Model 80300,<br>80400 Series Type<br>Nos. 0061, 0175,<br>0274,<br>943066, 943094,<br>943145, 943158,<br>943197, 943348,<br>943421, 943461,<br>943492; |          |          | Also used on Model<br>81300, 81400 Series<br>Type Nos. 0159, 0212,<br>0223, 0239, 0252,<br>943677, 943727,<br>943743, 943776,<br>943810, 943848,<br>943852.<br><b>260142 Crankshaft</b><br>Used on Model 80300,<br>80400 Series Type<br>Nos. 0051, 943086;<br>Also used on Model<br>81300, 81400 Series<br>Type No. 943588.<br><b>260144 Crankshaft</b><br>Used on Type No.<br>943166.<br><b>260182 Crankshaft</b><br>Used on Model 80300,<br>80400 Series Type<br>Nos. 0027, 0036,<br>0038, 0172, 0173,<br>0184, 0185, 0192,<br>0203, 0205, 0228,<br>0270, 0359, 0360,<br>0376, 0396, 0423,<br>0435, 0465, 0466,<br>0467, 0471, 0489,<br>0512, 0525, 0528,<br>0532, 0534, 0545,<br>0554, 0557, 0570,<br>0594, 0613, 0618,<br>0620, 0625, 0632,<br>0635, 0639, 0642,<br>0643, 0644, 0651,<br>0654, 0661, 0662,<br>0663, 0664, 0673,<br>0676, 0681, 0683,<br>0686, 0688, 0690,<br>0691,<br>943038, 943039,<br>943044, 943063,<br>943076, 943084,<br>943098, 943111,<br>943115, 943119,<br>943120, 943122,<br>943149, 943220,<br>943223, 943230,<br>943245, 943246,<br>943278, 943298,<br>943319, 943364,<br>943417, 943418,<br>943419, 943423,<br>943438, 943449,<br>943475, 943478,<br>943493, 953011,<br>953070. |

| REF. NO. | PART NO. | DESCRIPTION  | REF. NO. | PART NO. | DESCRIPTION   | REF. NO. | PART NO. | DESCRIPTION   |
|----------|----------|--|----------|----------|---|----------|----------|---|
|          |          | Also used on Model 81300, 81400 Series Type Nos. 0194, 0220, 0221, 0224, 0233, 0253, 0254, 0273, 0283, 0306, 0308, 943554, 943642, 943645, 943646, 943689, 943691, 943700, 943735, 943748, 943750, 943757, 943765, 943783, 943794, 943805, 943806, 943823, 943884, 943887, 943892, 943901, 943913, 943915, 943938, 943969, 943985, 953502. |          |          | Also used on Model 81300 Series Type Nos. 0203, 0289, 9433542, 943573.  |          |          | 0572, 0577, 0595, 0596, 0601, 0628, 0658, 0670, 0679, 0684, 0687, 0689, 0694, 2048, 2049,   |
|          |          | <b>260187</b> Crankshaft<br>Used on Model 80300, 80400 Series Type Nos. 0035, 0260, 0351, 0383, 0400, 0403, 0424, 0436, 0461, 0474, 0475, 0507, 0539, 0540, 0559, 0562, 0566, 0571, 0582, 0584, 0593, 0604, 0612, 0622, 0665, 0669, 0671, 2035, 943064, 943307, 953100;  |          |          | <b>260263</b> Crankshaft<br>Used on Model 80300 80400 Series Type Nos. 0062, 943116, 943190, 943227, 943275, 943403, 943483;  |          |          | 943017, 943018, 943032, 943033, 943034, 943035, 943048, 943049, 943050, 943051, 943068, 943069, 943072, 943085, 943090, 943092, 943101, 943106, 943108, 943118, 943124, 943130, 943134, 943141, 943144, 943155, 943157, 943163, 943164, 943172, 943173, 943178, 943186, 943188, 943192, 943202, 943204, 943205, 943206, 943240, 943242, 943243, 943244, 943259, 943274, 943277, 943279, 943289, 943292, 943302, 943305, 943306, 943313, 943316, 943322, 943340, 943344, 943351, 943354, 943357, 943363, 943366, 943367, 943368, 943373, 943376, 943377, 943380, 943386, 943391, 943395, 943396, 943397, 943409, 943416, 943427, 943428, 943430, 943436, 943444, 943450, 943456, 943464, 943472, 943482, 943487, 953015, 953019, 953021, 953026, 953034, 953039, 953041, 953055, 953075, 953082, 953087, 953096, |
|          |          | Also used on Model 81300, 81400 Series Type Nos. 0160, 0168, 0178, 0184, 0202, 0234, 0251, 0320, 0323, 0328, 0329, 943751, 943758, 943825, 943834, 943844, 943876, 943900, 943920, 943976, 943999, 953512.   |          |          | Also used on Model 81300, 81400 Series Type Nos. 943581, 943811, 943918, 943940.  |          |          |   |
|          |          | <b>260201</b> Crankshaft<br>Used on Model 80300 Series Type No. 943040;  |          |          | <b>260264</b> Crankshaft<br>Used on Model 80400 Series Type No. 943209;   |          |          |   |
|          |          |  |          |          | Also used on Model 81400 Series Type No. 943764.  |          |          |   |
|          |          |  |          |          | <b>260276</b> Crankshaft<br>Used on Model 80300, 80400 Series Type Nos. 0023, 0024, 0045, 0048, 0049, 0125, 0126, 0129, 0144, 0171, 0177, 0178, 0180, 0186, 0193, 0198, 0202, 0206, 0212, 0215, 0245, 0247, 0252, 0256, 0263, 0266, 0276, 0279, 0282, 0286, 0287, 0295, 0301, 0306, 0319, 0333, 0349, 0353, 0356, 0362, 0369, 0370, 0372, 0382, 0390, 0391, 0393, 0397, 0406, 0412, 0414, 0418, 0422, 0427, 0428, 0441, 0442, 0451, 0454, 0464, 0472, 0473, 0490, 0492, 0493, 0495, 0497, 0502, 0511, 0517, 0521, 0531, 0535, 0538, 0544, 0550, 0551, 0560, 0561, 0563, 0564, |          |          |   |



| REF. NO. | PART NO.  | DESCRIPTION | REF. NO.  | PART NO. | DESCRIPTION  | REF. NO. | PART NO. | DESCRIPTION |
|----------|---|-------------|---|----------|--|----------|----------|-------------|
|          | 953101, 953108,<br>953109, 953110,<br>953112;<br>Also used on Model<br>81300, 81400 Series<br>Type Nos. 0125, 0126,<br>0144, 0145, 0154,<br>0163, 0164, 0169,<br>0180, 0181, 0185,<br>0187, 0196, 0205,<br>0209, 0222, 0225,<br>0237, 0240, 0244,<br>0246, 0249, 0258,<br>0260, 0263, 0270<br>0275, 0279, 0280,<br>0286, 0287, 0293,<br>0309, 0310, 0314,<br>0321, 0324, 0331,<br>0333,<br>943517, 943518,<br>943524, 943535,<br>943543, 943547,<br>943555, 943561,<br>943564, 943569,<br>943576, 943586,<br>943621, 943627,<br>943630, 943633,<br>943639, 943647,<br>943649, 943650,<br>943653, 943654,<br>943655, 943661,<br>943663, 943666,<br>943667, 943674,<br>943675, 943679,<br>943683, 943688,<br>943690, 943709,<br>943710, 943712,<br>943713, 943714,<br>943718, 943719,<br>943729, 943732,<br>943737, 943741,<br>943744, 943754,<br>943759, 943762,<br>943772, 943775,<br>943781, 943782,<br>943785, 943796,<br>943807, 943818,<br>943835, 943840,<br>943841, 943851,<br>943858, 943860,<br>943866, 943871,<br>943875, 943877,<br>943882, 943894, |             | 943907, 943923,<br>943928, 943933,<br>943945, 943947,<br>943952, 943955,<br>943957, 943963,<br>943965, 943966,<br>943967, 943974,<br>943981, 943983,<br>943986, 943987,<br>953505, 953508.<br><b>260395</b> Crankshaft<br>Used on Type No.<br>943568.<br><b>260481</b> Crankshaft<br>Used on Model 80300<br>Series Type No.<br>943310;<br>Also used on Model<br>81300 Series Type No.<br>943721.<br><b>260489</b> Crankshaft<br>Used on Model 80300,<br>80400 Series Type<br>Nos. 0025, 0149,<br>0150, 0160, 0179,<br>0213, 0226, 0268,<br>0275, 0280, 0289,<br>0291, 0308, 0337,<br>0367, 0368, 0402,<br>0426, 0440, 0448,<br>0470, 0476, 0477,<br>0487, 0499, 0500,<br>0527, 0565, 0580,<br>0591, 0597, 0648,<br>0649,<br>943043, 943054,<br>943112, 943135,<br>943153, 943185,<br>943195, 943233,<br>943266, 943268,<br>943267, 943280,<br>943285, 943287,<br>943295, 943360,<br>943370, 943371,<br>943393, 943412,<br>943414, 943442,<br>943479, 943489,<br>943490, 953010,<br>953053, 953056,<br>953062, 953078,<br>953084, 953113,<br>953504; |          | Also used on Model<br>81300, 81400 Series<br>Type Nos. 0175,<br>0176, 0245, 0257,<br>0278, 0292, 0302,<br>0307, 0317,<br>943556, 943648,<br>943565, 943680,<br>943681, 943686,<br>943708, 943740,<br>943745, 943746,<br>943761, 943766,<br>943767, 943784,<br>943790, 943791,<br>943795, 943804,<br>943828, 943849,<br>943859, 943881,<br>943889, 943916,<br>943935, 943964,<br>943970, 943980.<br><b>260491</b> Crankshaft<br>Used on Model 80300<br>Series Type Nos.<br>0458, 0556, 0653,<br>0680, 943042,<br>943107, 943437.<br>Also used on Model<br>81300, 81400 Series<br>Type Nos. 0179, 0192,<br>0282, 0532, 0663,<br>0699, 943545,<br>943596, 943755,<br>943886, 943943.<br><b>260492</b> Crankshaft<br>Used on Model 80300,<br>80400 Series Type<br>Nos. 0011, 0016,<br>0055, 0176, 0196,<br>0199, 0233, 0258,<br>0269, 0355, 0386,<br>0394, 0462, 0481,<br>0488, 0494, 0529,<br>0548, 0605, 0611,<br>943061, 943074,<br>943087, 943113,<br>943156, 943180,<br>943187, 943189,<br>943234, 943253,<br>943255, 943334,<br>943335, 943345,<br>943346, 943362,<br>943379, 943452,<br>943468, 943474,<br>943498, 953043,<br>953085, 953104; |          |          |             |

**80300 to 80499**

**81300 to 81499**

| REF. NO. | PART NO. | DESCRIPTION   | REF. NO. | PART NO. | DESCRIPTION   | REF. NO. | PART NO. | DESCRIPTION  |
|----------|----------|---|----------|----------|---|----------|----------|--|
|          |          | Also used on Model<br>81300, 81400 Series<br>Type Nos. 0161, 0170,<br>0171, 0281,<br>943525, 943526,<br>943527, 943530,<br>943587, 943595,<br>943597, 943608,<br>943609, 943614,<br>943616, 943617,<br>943638, 943643,<br>943716, 943734,<br>943802, 943803,<br>943808, 943842,<br>943854, 943878,<br>943880, 943890,<br>943930, s943973.<br><b>260512</b> Crankshaft<br>Used on Model 80400<br>Series Type No. 0515;<br>Also used on Model<br>81400 Series Type<br>Nos. 0235,<br>943777, 943822,<br>943944.<br><b>260522</b> Crankshaft<br>Used on Type No.<br>943365.<br><b>260561</b> Crankshaft<br>Used on Type No.<br>943793.<br><b>260562</b> Crankshaft<br>Used on Model 80300,<br>80400 Series Type<br>Nos. 0010, 0050,<br>0151, 0271, 0344,<br>0357, 0364, 0378,<br>0541,<br>943057, 943075,<br>943453, 953002,<br>953005, 953031,<br>953054;<br>Also used on Model<br>81300, 81400 Series<br>Type Nos. 943798,<br>943801, 943891.<br><b>260932</b> Crankshaft<br>Used on Model 80300,<br>80400 Series Type<br>Nos. 0026, 0037, 0071,<br>0072, 0124, 0161,<br>0164, 0165, 0168,<br>0170, 0174, 0187, |          |          | 0190, 0191, 0201,<br>0210, 0211, 0218,<br>0229, 0230, 0231,<br>0238, 0248, 0255,<br>0262, 0267, 0272,<br>0281, 0273, 0285,<br>0292, 0294, 0296,<br>0298, 0299, 0305,<br>0307, 0310, 0312,<br>0313, 0322, 0325,<br>0326, 0327, 0331,<br>0336, 0340, 0343,<br>0346, 0347, 0350,<br>0358, 0361, 0365,<br>0371, 0373, 0375,<br>0381, 0384, 0392,<br>0395, 0401, 0405,<br>0415, 0421, 0429,<br>0430, 0431, 0434,<br>0438, 0439, 0444,<br>0445, 0446, 0450,<br>0453, 0456, 0484,<br>0485, 0496, 0498,<br>0501, 0503, 0506,<br>0510, 0513, 0514,<br>0516, 0518, 0520,<br>0523, 0526, 0530,<br>0536, 0542, 0543,<br>0546, 0552, 0553,<br>0568, 0569, 0573,<br>0574, 0575, 0581,<br>0585, 0586, 0587,<br>0588, 0589, 0592,<br>0598, 0599, 0600,<br>0602, 0603, 0607,<br>0608, 0610, 0616,<br>0619, 0621, 0623,<br>0626, 0629, 0631,<br>0640, 0650, 0655,<br>0656, 0657, 0660,<br>0666, 0668, 0677,<br>0693, 2037,<br>943023, 943036,<br>943037, 943041,<br>943055, 943062,<br>943077, 943095,<br>943105, 943109,<br>943110, 943131,<br>943132, 943154,<br>943161, 943171,<br>943179, 943203,<br>943207, 943215,<br>943219, 943222, |          |          | 943224, 943226,<br>943231, 943251,<br>943265, 943272,<br>943276, 943283,<br>943296, 943314,<br>943315, 943326,<br>943329, 943331,<br>943332, 943333,<br>943356, 943369,<br>943372, 943374,<br>943375, 943378,<br>943390, 943392,<br>943402, 943406,<br>943411, 943432,<br>943433, 943443,<br>943445, 943446,<br>943455, 943466,<br>943469, 943470,<br>943473, 943476,<br>943486, 943491,<br>943494, 943497,<br>953008, 953009,<br>953014, 953023,<br>953024, 953045,<br>953046, 953051,<br>953057, 953059,<br>953060, 953067,<br>953071, 953073,<br>953081, 953091,<br>953093, 953094,<br>953098, 953099,<br>953102, 953103,<br>953105, 953111;<br>Also used on Model<br>81300, 81400 Series<br>Type Nos. 0156, 0157,<br>0158, 0162, 0165,<br>0167, 0177, 0182,<br>0186, 0189, 0190,<br>0199, 0208, 0210,<br>0214, 0218, 0228,<br>0236, 0238, 0242,<br>0243, 0250, 0261,<br>0264, 0267, 0268,<br>0271, 0274, 0284,<br>0288, 0290, 0295,<br>0296, 0298, 0299,<br>0300, 0301, 0303,<br>0305, 0311, 0312,<br>0315, 0318, 0319,<br>0325, 0327, 0332,<br>0334,<br>943558, 943574, |

| REF. NO.  | PART NO.      | DESCRIPTION   | REF. NO. | PART NO. | DESCRIPTION  | REF. NO. | PART NO. | DESCRIPTION   |
|-----------|---------------|---|----------|----------|--|----------|----------|---|
|           |               | 943583, 943601,<br>943606, 943613,<br>943628, 943629,<br>943632, 943644,<br>943656, 943692,<br>943693, 943704,<br>943705, 943706,<br>943717, 943728,<br>943730, 943749,<br>943752, 943760,<br>943779, 943786,<br>943792, 943797,<br>943799, 943800,<br>943814, 943826,<br>943829, 943830,<br>943831, 943832,<br>943833, 943837,<br>943839, 943847,<br>943863, 943864,<br>943865, 943869,<br>943879, 943885,<br>943893, 943896,<br>943898, 943903,<br>943904, 943921,<br>943931, 943932,<br>943949, 943961,<br>943962, 943968,<br>943977, 943978,<br>943989, 943990,<br>943992, 943993,<br>953994, 953501,<br>953503, 953506,<br>953507, 953511. |          |          | <b>296295</b> Cover Assy.—<br>Crankcase<br>Used on <i>Model 80300</i><br>Series Type<br>Nos. 0148,<br>943330, 943387,<br>953018;<br>Also used on <i>Model</i><br><i>81300 Series</i><br>Type Nos. 943695,<br>943696, 943773.<br><b>297378</b> Cover Assy.—<br>Crankcase<br>Used on <i>Model 80300</i><br>Series Type No. 0284.<br><b>298281</b> Cover Assy.—<br>Crankcase<br>Used before Code No.<br>81120900.<br><b>394879</b> Cover Assy.—<br>Crankcase<br>Used after Code No.<br>81120800.<br>Used on <i>Model 80300</i><br>Series Type No. 0130;<br>Also used on <i>Model</i><br><i>81300 Series Type No.</i><br>0130.<br><b>298511</b> Cover Assy.—<br>Crankcase<br>Used before Code No.<br>81120900.<br><b>395259</b> Cover Assy.—<br>Crankcase<br>Used after Code No.<br>81120800.<br>Used on <i>Model 80300</i><br>Series Type Nos.<br>0285, 0343.<br><b>392975</b> Cover Assy.—<br>Crankcase<br>Used before Code No.<br>81120900.<br><b>395259</b> Cover Assy.—<br>Crankcase<br>Used after Code No.<br>81120800.<br>Used on <i>Model 80331,</i><br><i>80332, 80431, 80432,</i><br><i>81331, 81332, 81431,</i><br><i>81432 Series.</i><br><b>393811</b> Cover Assy.—<br>Crankcase<br>Used before Code No.<br>81120900. |          |          | <b>394879</b> Cover Assy.—<br>Crankcase<br>Used after Code No.<br>81120800.<br>Used on <i>Model 80300</i><br>Series Type No.<br>2015.<br><b>394909</b> Cover Assy.—<br>Crankcase<br>Used after Code No.<br>81120800.<br><b>294307</b> Cover Assy.—<br>Crankcase<br>Used before Code No.<br>81120900.<br>Used on <i>Model 80311,</i><br><i>80312; 80351, 80352,</i><br><i>80401, 80402, 80451,</i><br><i>80452, 81311, 81312,</i><br><i>81351, 81352, 81353,</i><br><i>81401, 81402, 81451,</i><br><i>81452 Series.</i><br><b>19 293708</b> Bushing Assy.<br>Crankcase Cover<br>(Includes 220538<br>Bushing)<br><b>Note:</b> Bushings require<br>special tools for<br>installation.<br><b>Note:</b> <b>220538</b> Bushing—<br>Crankcase Cover<br>Used on <i>Model 80311,</i><br><i>80312, 80351, 80352,</i><br><i>81311, 81312, 81351,</i><br><i>81352, 81353 Series.</i><br><b>294499</b> Bushing<br>Assembly—<br>Crankcase Cover<br>(Includes 220538<br>Bushing<br>Used on <i>Model 80311,</i><br><i>80312, 80351, 80352,</i><br><i>80401, 80402, 81311,</i><br><i>81312, 81351, 81352,</i><br><i>81401, 81402 Series.</i><br><b>20 299819</b> Seal—Oil<br><b>Note:</b> <b>293740</b> Seal—Oil<br>Used on <i>Model 80331,</i><br><i>80332, 80431, 80432,</i><br><i>81331, 81332, 81431,</i><br><i>81432 Series.</i><br><b>294160</b> Seal—Oil<br>Used on the auxiliary<br>P.T.O. shaft on <i>Model</i><br><i>80300, 80400 Series</i><br>Type No. 943387; |
| <b>17</b> | <b>99158</b>  | Bearing—Ball  |          |          |  |          |          |   |
| <b>18</b> | <b>394820</b> | Cover Assembly—<br>Crankcase<br>Used after Code No.<br>81120800.<br><b>392974</b> Cover Assy.—<br>Crankcase<br>Used before Code No.<br>81120900.<br>Used on <i>Model 80301,</i><br><i>80302, 81301, 81302,</i><br><i>81303 Series.</i><br><b>Note:</b> <b>296289</b> Cover Assy.—<br>Crankcase<br>Used on <i>Model 80300</i><br>Series Type No.<br>943310;<br>Also used on <i>Model</i><br><i>81300 Series Type No.</i><br>943721.  |          |          |  |          |          |   |

| REF. NO.   | PART NO.      | DESCRIPTION  | REF. NO.                                    | PART NO.      | DESCRIPTION  | REF. NO.  | PART NO.      | DESCRIPTION  |
|------------|---------------|--|---|---------------|--|-----------|---------------|--|
|            |               | Also used on <i>Model 81300, 81400 Series</i> Type Nos. 943695, 943696, 943773, 953018.<br><b>391484 Seal—Oil</b> Used on the auxiliary P.T.O. shaft on <i>Model 80300 Series</i> Type No. 0130;<br>Also used on <i>Model 81300 Series</i> Type No. 0130.<br><b>392838 Oil Seal and Spacer</b> Used on <i>Model 80311, 80312, 80351, 80352, 80401, 80402, 81311, 81312, 81351, 81352, 81401, 81402 Series.</i> | <b>24</b>                                   | <b>61760</b>  | Key—Flywheel   | <b>30</b> | <b>220670</b> | Dipper—Connecting Rod  |
| <b>21</b>  | <b>66768</b>  | Plug—Oil Filler  | <b>25</b>                                   | <b>295587</b> | Piston Assembly—Std.   | <b>31</b> | <b>220756</b> | Lock—Connecting Rod Screw  |
| <b>22</b>  | <b>93032</b>  | Screw—Crankcase Cover Mtg. Sem   |   | <b>Note:</b>  | <b>295455 Piston Assembly—Standard</b> Used on <i>Model 81300, 81400 Series.</i>   | <b>32</b> | <b>92296</b>  | Screw—Connecting Rod   |
|            | <b>Note:</b>  | <b>92747 Screw—Crankcase Cover Mounting Sem</b> Used in two top holes to mount cover on <i>Model 80311, 80312, 80351, 80352, 80401, 80402, 80452, 81311, 81312, 81351, 81352, 81353, 81401, 81402 Series.</i>  | <b>295588</b>                               | <b>295588</b> | Piston Assembly—.010" O.S.   | <b>33</b> | <b>296676</b> | Valve—Exhaust (Grooved Stem—Includes Retainer No. 93312)   |
| <b>23</b>  | <b>296884</b> | Flywheel—Magneto (Used on and after Serial No. 6212310) <i>except on Model 80400 Series</i> Type Nos. 953064, 953079 and on <i>Model 81300, 81400 Series</i> Type Nos. 943900, 943999, which use No. 295936 Flywheel.  |   | <b>Note:</b>  | <b>295456 Piston Assy.—.010" O.S.</b> Used on <i>Model 81300 81400 Series.</i>     |           | <b>Note:</b>  | <b>260442 Valve—Exhaust (With Hole in Stem)</b> For Pins and Retainers for this Valve see note under reference No. 40.<br>Used on <i>Model 80300, 80400 Series</i> Type Nos. 0023, 0024, 0025, 0026, 0027, 0035, 0037, 0038, 0045, 0048, 0049, 0055, 0060, 0061, 0062, 0150, 0161, 0185, 0222, 0226, 0238, 0239, 0268, 0289, 0315, 0322, 0337, 0358, 0360, 0369, 0375, 0381, 0382, 0392, 0405, 0406, 0414, 0415, 0476, 0484, 0487, 0490, 0495, 0499, 0514, 0523, 0531, 0532, 0538, 0552, 0563, 0580, 0581, 0593, 0597, 0601, 0604, 0612, 0613, 0618, 0639, 0642, 0658, 0662, 0686, 0687, 943032, 943043, 943084, 943098, 943140, 943150, 945153, 943210, 943246, 943256, 943263, 943268, 943301, 943303, 943304, 943312, 943479, 943481, 943482, 943483, 943484, 943485, 943491, 953073, 953095; |
|            | <b>Note:</b>  | <b>297949 Flywheel—Magneto</b> Used on <i>Model 80400 Series</i> Type No. 0277.  | <b>295589</b>                               | <b>295589</b> | Piston Assembly .020" O.S.   |           |               |  |
| <b>23A</b> | <b>295936</b> | Flywheel—Magneto (Used before Serial No. 6212310)  |   | <b>Note:</b>  | <b>295457 Piston Assembly .020" O.S.</b> Used on <i>Model 81300, 81400 Series.</i> |           |               |  |
|            | <b>Note:</b>  | Used on all <i>Model 80400 Series</i> Type Nos. 953064, 953079; Also used on <i>Model 81300, 81400 Series</i> Type Nos. 943900, 943999 before and after Serial No. 6212310.  | <b>295590</b>                               | <b>295590</b> | Piston Assembly—.030" O.S.   |           |               |  |
|            |               |  |   | <b>Note:</b>  | <b>295458 Piston Assy.—.030" O.S.</b> Used on <i>Model 81300, 81400 Series.</i>    |           |               |  |
|            |               |  | <b>MODEL 80300, 80400 SERIES RING SETS:</b> |               |  |           |               |  |
|            |               |  |   | <b>Note:</b>  | For Chrome Piston Ring Set—standard size—order Part No. 297201.                    |           |               |  |
|            |               |  | <b>26</b>                                   | <b>294232</b> | Ring Set—Std. Piston   |           |               |  |
|            |               |  |   | <b>294224</b> | Ring Set—.010" O.S. Piston   |           |               |  |
|            |               |  |   | <b>294225</b> | Ring Set—.020" O.S. Piston   |           |               |  |
|            |               |  |   | <b>294226</b> | Ring Set—.030" O.S. Piston   |           |               |  |
|            |               |  | <b>MODEL 81300, 81400 SERIES RING SETS:</b> |               |  |           |               |  |
|            |               |  |   | <b>Note:</b>  | For Chrome Piston Ring Set—standard size—order Part No. 297201.                    |           |               |  |
|            |               |  |   | <b>295657</b> | Ring Set—Std. Piston   |           |               |  |
|            |               |  |   | <b>295658</b> | Ring Set—.010" O.S. Piston   |           |               |  |
|            |               |  |   | <b>295659</b> | Ring Set—.020" O.S. Piston   |           |               |  |
|            |               |  |   | <b>295660</b> | Ring Set—.030" O.S. Piston   |           |               |  |
|            |               |  | <b>27</b>                                   | <b>26026</b>  | Lock—Piston Pin  |           |               |  |
|            |               |  | <b>28</b>                                   | <b>298909</b> | Pin Assembly—Piston—Standard   |           |               |  |
|            |               |  |   | <b>298908</b> | Pin Assembly—Piston—.005" O.S.   |           |               |  |
|            |               |  | <b>29</b>                                   | <b>294367</b> | Rod Assembly—Conn.   |           |               |  |
|            |               |  |   | <b>Note:</b>  | For Connecting Rod with .020" Undersize Cranking Bore—order No. 296079.            |           |               |  |

| REF. NO. | PART NO. | DESCRIPTION   | REF. NO. | PART NO. | DESCRIPTION  | REF. NO.  | PART NO.      | DESCRIPTION  |
|----------|----------|---|----------|----------|--|-----------|---------------|--|
|          |          | Also used on Model<br>81300, 81400 Series<br>Type Nos. 0176,<br>0179, 0185, 0187,<br>0190, 0193, 0201,<br>0207, 0208, 0209,<br>0233, 0240, 0266,<br>0268, 0272, 0278,<br>0289, 0314, 0317,<br>0324, 0333,<br>943611, 943625,<br>943653, 943659,<br>943678, 943680,<br>943681, 943685,<br>943708, 943719,<br>943723, 943740,<br>943741, 943745,<br>943746, 943747,<br>943748, 943754,<br>943759, 943766,<br>943767, 943774,<br>943784, 943795,<br>943814, 943823,<br>943828, 943850,<br>943851, 943868,<br>943869, 943871,<br>943896, 943899,<br>943916, 943923,<br>943940, 943943,<br>943964, 943975,<br>943994, 953508,<br>953511. |          |          | 0455, 0456, 0464,<br>0465, 0466, 0469,<br>0483, 0484, 0509,<br>0520, 0527, 0543,<br>0553, 0554, 0557,<br>0561, 0568, 0570,<br>0574, 0586, 0620,<br>0628, 0641, 0655,<br>0657, 0670, 0679,<br>2015, 2035, 2037,<br>2048, 2049,<br>943067, 943111,<br>943114, 943115,<br>943119, 943120,<br>943229, 943230,<br>943233, 943236,<br>943237, 943238,<br>943239, 943250,<br>943251, 943260,<br>943261, 943265,<br>943287, 943316,<br>943326, 943363,<br>943366, 943372,<br>943394, 943410,<br>943417, 943425,<br>943443, 943460,<br>943480, 943488,<br>943489, 943490,<br>943493, 953013,<br>953022, 953064,<br>953065, 953079,<br>953084; |           |               | 943939, 943953,<br>943958, 943969,<br>943980, 943985,<br>943999, 953505,<br>953510.  |
|          |          | <b>260443 Valve—</b><br>Exhaust (STELLITE®)<br>(With hole in Stem)<br>For Pins and Retainers<br>for this Valve see<br>note under reference<br>No. 40.<br>Used on Model 80300,<br>80400 Series Type<br>Nos. 0036,<br>0070, 0071, 0072,<br>0124, 0129, 0160,<br>0179, 0210, 0240,<br>0241, 0244, 0255,<br>0277, 0287, 0314,<br>0318, 0325, 0339,<br>0341, 0344, 0359,<br>0371, 0383, 0390,<br>0396, 0400, 0410,<br>0426, 0434, 0438,<br>0443, 0444, 0453,   |          |          | Also used on Model<br>81300, 81400 Series<br>Type Nos. 0194,<br>0202, 0222, 0230,<br>0234, 0237, 0245,<br>0253, 0254, 0258,<br>0262, 0264, 0287,<br>0288, 0301, 0303,<br>943555, 943572,<br>943647, 943659,<br>943686, 943689,<br>943691, 943735,<br>943757, 943764,<br>943789, 943790,<br>943791, 943805,<br>943806, 943812,<br>943813, 943844,<br>943860, 943882,<br>943886, 943900,<br>943913, 943935,<br>943936, 943938,   | <b>34</b> | <b>296677</b> | Valve—Intake<br>(Grooved Stem—<br>Includes Retainer<br>No. 93312)<br><b>Note:</b> <b>230101 Valve—Intake</b><br>(With hole in Stem)<br>For Pins and Retainers<br>for this Valve see<br>note under reference<br>No. 40.<br>Used on Model 80300,<br>80400 Series Type Nos.<br>0160, 0179, 0210,<br>0240, 0241, 0255,<br>0277, 0287, 0314,<br>0318, 0325, 0339,<br>0341, 0344, 0359,<br>0371, 0383, 0390,<br>0396, 0400, 0410,<br>0426, 0434, 0438,<br>0443, 0444, 0453,<br>0455, 0456, 0464,<br>0469, 0483, 0484,<br>0509, 0554, 0557,<br>0570, 0574,<br>943067, 943111,<br>943114, 943115,<br>943119, 943120,<br>943229, 943230,<br>943233, 943236,<br>943237, 943238,<br>943239, 943250,<br>943251, 943260,<br>943261, 943265,<br>943287, 943316,<br>943326, 943363,<br>943366, 943372,<br>943394, 943410,<br>943417, 943425,<br>943443, 943460,<br>943480, 943488,<br>943489, 943490,<br>943493, 953013,<br>953022, 953064,<br>953065, 953079,<br>953084, |

80300 to 80499

81300 to 81499

| REF. NO. | PART NO.     | DESCRIPTION   | REF. NO. | PART NO. | DESCRIPTION   | REF. NO. | PART NO. | DESCRIPTION  |  |  |
|----------|--------------|---|----------|----------|---|----------|----------|--|--|--|
|          |              | Also used on Model<br>81300, 81400 Series<br>Type Nos. 0194,<br>0202, 0222, 0230,<br>0234, 0237, 0245,<br>0253, 0254, 0258,<br>0262, 0264, 0287,<br>0288, 0301, 0303,<br>943555, 943572,<br>943647, 943659,<br>943686, 943689,<br>943691, 943735,<br>943757, 943764,<br>943789, 943790,<br>943791, 943805,<br>943806, 943812,<br>943813, 943844,<br>943860, 943882,<br>943886, 943900,<br>943913, 943935,<br>943936, 943938,<br>943939, 943953,<br>943958, 943969,<br>943980, 943985,<br>943999, 953505,<br>953510. |          |          | 0456, 0464, 0465,<br>0469, 0476, 0483,<br>0484, 0487, 0490,<br>0495, 0499, 0514,<br>0523, 0527, 0531,<br>0532, 0538, 0543,<br>0552, 0553, 0554,<br>0557, 0561, 0563,<br>0568, 0570, 0574,<br>0580, 0581, 0586,<br>0593, 0597, 0601,<br>0604, 0612, 0613,<br>0618, 0628, 0639,<br>0641, 0642, 0655,<br>0658, 0662, 0670,<br>0679, 0686, 0687,<br>2015, 2035, 2037,<br>2048, 2049,<br>943032, 943043,<br>943084, 943098,<br>943120, 943140,<br>943150, 943153,<br>943210, 943229,<br>943230, 943236,<br>943238, 943246,<br>943251, 943256,<br>943265, 943268,<br>943287, 943301,<br>943303, 943304,<br>943312, 943316,<br>943326, 943363,<br>943366, 943372,<br>943394, 943417,<br>943443, 943479,<br>943480, 943481,<br>943482, 943483,<br>943484, 943485,<br>943488, 943489,<br>943491, 953013,<br>953064, 953065,<br>953073, 953079,<br>953084, 953095,<br>Also used on Model<br>81300, 81400 Series<br>Type Nos. 0176,<br>0179, 0185, 0187,<br>0190, 0193, 0194,<br>0201, 0207, 0208,<br>0209, 0222, 0230,<br>0233, 0237, 0240,<br>0254, 0258, 0266,<br>0272, 0278, 0289,<br>0301, 0314, 0317,<br>0324, 0333, |          |          |  |  | 943572, 943611,<br>943625, 943647,<br>943653, 943659,<br>943678, 943680,<br>943681, 943685,<br>943689, 943708,<br>943719, 943723,<br>943740, 943741,<br>943745, 943746,<br>943747, 943748,<br>943754, 943757,<br>943759, 943764,<br>943766, 943767,<br>943774, 943784,<br>943789, 943791,<br>943795, 943814,<br>943823, 943828,<br>943850, 943851,<br>943860, 943868,<br>943869, 943871,<br>943882, 943896,<br>943899, 943916,<br>943923, 943936,<br>943938, 943940,<br>943943, 943953,<br>943958, 943964,<br>943975, 943985,<br>943994, 953505,<br>953508, 953510,<br>953511. |
| 35       | 260552       | Spring—Intake Valve   |          |          |   | 37       | 220971   | Guard—Flywheel   |  |  |
| 36       | 26478        | Spring—Exhaust Valve  |          |          |   | 40       | 93312    | Retainer—<br>Valve Spring<br>Used with valves with<br>groove in stem.  |  |  |
|          | <b>Note:</b> | 26826 Spring—<br>Exhaust Valve<br>Used on Model 80300,<br>80400 Series Type<br>Nos. 0023,<br>0024, 0025, 0026,<br>0027, 0035, 0037,<br>0038, 0045, 0048,<br>0049, 0055, 0060,<br>0061, 0062, 0071,<br>0124, 0129, 0150,<br>0160, 0161, 0179,<br>0185, 0210, 0222,<br>0226, 0238, 0239,<br>0240, 0244, 0255,<br>0277, 0287, 0314,<br>0315, 0317, 0318,<br>0337, 0341, 0344,<br>0360, 0369, 0371,<br>0375, 0381, 0382,<br>0383, 0390, 0396,<br>0400, 0405, 0406,<br>0414, 0415, 0426,<br>0438, 0443, 0455,            |          |          |   |          |          | <b>Note:</b> 23184 Retainer—<br>Valve Spring<br>23187 Pin—Valve<br>Spring Retainer<br>Used with valves with<br>hole in stem except<br>those with Rotocap.<br>292259 Rotocap—<br>Exhaust Valve<br>230126 Pin—Exhaust<br>Valve Rotocap<br>Retainer |  |  |

| REF. NO. | PART NO.      | DESCRIPTION  | REF. NO. | PART NO. | DESCRIPTION   | REF. NO.  | PART NO.       | DESCRIPTION  |               |              |
|----------|---------------|--|----------|----------|---|-----------|----------------|--|---------------|--------------|
|          | <b>230127</b> | Retainer—<br>Exhaust Valve Rotocap<br>Used on Model 80300,<br>80400 Series Type Nos.<br>0024, 0025, 0026,<br>0027, 0035, 0037,<br>0038, 0045, 0048,<br>0049, 0055, 0060,<br>0061, 0062, 0071,<br>0072, 0124,<br>0129, 0150, 0160,<br>0161, 0179, 0185,<br>0210, 0222, 0226,<br>0238, 0239, 0240,<br>0244, 0255, 0277,<br>0287, 0289, 0314,<br>0315, 0318, 0337,<br>0341, 0344, 0360,<br>0369, 0371, 0375,<br>0381, 0382, 0383,<br>0390, 0396, 0400,<br>0405, 0406, 0414,<br>0415, 0426, 0438,<br>0443, 0455, 0456,<br>0464, 0465, 0469,<br>0476, 0483, 0484,<br>0487, 0490, 0495,<br>0499, 0514, 0523,<br>0527, 0531, 0532,<br>0538, 0543, 0552,<br>0553, 0554, 0557,<br>0561, 0563, 0568,<br>0570, 0574, 0580,<br>0581, 0568, 0593,<br>0597, 0601, 0604,<br>0612, 0613, 0618,<br>0628, 0639, 0641,<br>0642, 0655, 0658,<br>0662, 0670, 0679,<br>0686, 0687, 2015,<br>2035, 2037, 2048,<br>2049,<br>943032, 943043,<br>943084, 943098,<br>943120, 943140,<br>943150, 943153,<br>943210, 943229,<br>943230, 943236,<br>943238, 943246,<br>943251, 943256,<br>943265, 943268,<br>943287, 943301,<br>943303, 943304,<br>943312, 943316, |          |          | 943326, 943363,<br>943366, 943372,<br>943394, 943417,<br>943443, 943479,<br>943480, 943481,<br>943482, 943483,<br>943484, 943485,<br>943488, 943489,<br>943491, 953013,<br>953064, 953065,<br>953073, 953079,<br>953084, 953095;<br>Also used on Model<br>81300, 81400 Series<br>Type Nos. 0176,<br>0179, 0185, 0187,<br>0190, 0193, 0194,<br>0201, 0207, 0208,<br>0209, 0222, 0230,<br>0233, 0237, 0240,<br>0254, 0258, 0266,<br>0272, 0278, 0289,<br>0301, 0314, 0317,<br>0324, 0333,<br>943572, 943611,<br>943625, 943647,<br>943653, 943659,<br>943678, 943680,<br>943681, 943685,<br>943689, 943708,<br>943719, 943723,<br>943740, 943741,<br>943745, 943746,<br>943747, 943748,<br>943754, 943757,<br>943759, 943764,<br>943766, 943767,<br>943774, 943784,<br>943789, 943791,<br>943795, 943814,<br>943823, 943828,<br>943850, 943851,<br>943860, 943868,<br>943869, 943871,<br>943882, 943896,<br>943899, 943916,<br>943823, 943936,<br>943938, 943940,<br>943943, 943953,<br>943958, 943964,<br>943975, 943985,<br>943994, 953505,<br>953508, 953510,<br>953511. |           |                | <b>45</b>  | <b>230173</b> | Tappet—Valve |
|          |               |  |          |          |   | <b>46</b> | <b>210453</b>  | Gear—Cam<br><b>Note:</b> <b>210804</b> Gear—Cam<br>Used on Model 80300<br>Series Type Nos.<br>0148, 943330,<br>943387, 953018;<br>Also used on Model<br>81300 Series Type<br>Nos. 943695,<br>943696, 943773,<br><b>211337</b> Gear—Cam<br>Used on Model 80300<br>Series Type No. 0130;<br>Also used on Model<br>81300 Series Type<br>No. 0130.         |               |              |
|          |               |  |          |          |   | <b>50</b> | <b>210810</b>  | Elbow—Intake   |               |              |
|          |               |  |          |          |   | <b>51</b> | <b>†*68987</b> | Gasket—Carburetor<br>Mounting  |               |              |
|          |               |  |          |          |   | <b>52</b> | <b>*27355</b>  | Gasket—Intake<br>Elbow Mounting<br><b>Note:</b> <b>27384</b> Gasket—Intake<br>Elbow Mounting<br>Used on Model 80400<br>Series Type Nos.<br>0255, 0385,<br>943046, 943121,<br>943127, 943139,<br>943182, 943190,<br>943275, 943365,<br>943403, 953079;<br>Also used on Model<br>81400 Series Type<br>Nos. 943687,<br>943788, 943843,<br>943917, 943918. |               |              |
|          |               |  |          |          |   | <b>53</b> | <b>93357</b>   | Screw—Carburetor<br>and Intake Elbow Mtg.<br><b>Note:</b> <b>93587</b> Screw—Intake<br>Elbow Mounting Sem<br><b>93028</b> Washer—Lock—<br>Shakeproof No. 1114-00<br>Used on Model 80400<br>Series Type Nos.<br>0255, 0385, 943046,<br>943121, 943127,<br>943139, 943182,<br>943190, 943275,<br>943365, 943403,<br>953079;                              |               |              |

\*Included in Gasket Set—  
Part No. 297275.

†Included in Carburetor Overhaul  
Kit—Part No. 291691.

| REF. NO. | PART NO.     | DESCRIPTION  | REF. NO. | PART NO.     | DESCRIPTION  | REF. NO. | PART NO.     | DESCRIPTION  |
|----------|--------------|--|----------|--------------|--|----------|--------------|--|
|          |              | Also used on Model 81400 Series Type Nos. 943687, 943788, 943843, 943917, 943918.  | 68       | 63770        | Ball—Clutch  |          |              | <b>Note:</b> 270045 Washer—Sealing   |
| 56       | 280117       | Pulley—Rewind Starter Used after Serial No. 6506301.   | 70       | 298436       | Ratchet—Rewind and Wind-up Starter Used after Serial No. 6405220.                |          |              | Used before Serial No. 6405250 on Model 80300, 80400 Series Type Nos. 0155, 0181, 0207, 0271, 943188, 953027, 953031, 953049, 953092;  |
|          | <b>Note:</b> | 294088 Pulley—Rewind Starter Used before Serial No. 6507011.   |          | <b>Note:</b> | 296597 Ratchet—Rewind and Wind-up Starter Used before Serial No. 6405250.        |          |              | Also used on Model 81300 Series Type Nos. 0172, 0243, 943546.  |
| 57       | 294303       | Spring—Rewind Starter  |          | <b>Note:</b> | 298799 Ratchet—Rewind Starter Used on Type Nos. 0364, 0376, 0419.                | 78       | 93705        | Screw—Pulley Screen Mounting Sem   |
| 58       | 66694        | Rope—Starter—47-1/8" long Used after Serial No. 6506301.   | 71       | 221653       | Washer—Clutch Retainer Used after Serial No. 6405220.                            | 79       | 290779       | Case Assembly—Gear   |
|          | <b>Note:</b> | 395022 Rope—Starter—47-1/8" long Used before Serial No. 6507011. If longer rope is needed, order No. 66684 (used after Serial No. 6506301) or No. 66574 (used before Serial No. 6507011) and cut to required length. |          | <b>Note:</b> | 221301 Washer—Retainer Used before Serial No. 6405250 with square shank ratchet. | 80       | 27667        | Gasket—Gear Case   |
| 59       | 230228       | Pin—Starter Grip   |          | <b>Note:</b> | 220575 Washer—Retainer Used with 7 point shank ratchet.                          | 81       | 220234       | Lock—Gear Case Mounting Screw  |
| 60       | 393152       | Grip—Starter Rope  | 72       | 26032        | Spring—Clutch Retainer Used before Serial No. 6405250.                           | 82       | 91541        | Screw—Cap. Hex. Hd.—5/16-24 x 7/8"   |
| 61       | 68618        | Bumper—Starter Pulley (Used only with Steel Pulley)  |          | <b>Note:</b> | 221661 Screen—Rotating Used after Serial No. 6405220.                            | 82A      | 92279        | Screw—Cap. Hex. Hd.—5/16-24 x 1-1/2"   |
| 66       | 298310       | Clutch Assy.—Rewind and Wind-up Starter Used after Serial No. 6405220.   | 73       | 221661       | Screen—Rotating Used after Serial No. 6405220.                                   | 83       | 211293       | Shaft Assembly—Drive Order—Shaft Assembly—Drive Used on Model 80300 Series Type Nos. 0464, 0472, 943049, 943206; Also those used on Model 81300 Series Type Nos. 0163, 0185, 0222, 0237, 0260, 943555, 943576, 943647, 943649, 943759, 943858, 943860, 943877, 943882, 943952, 943963— from the equipment manufacturer.        |
|          | <b>Note:</b> | 298798 Clutch Assembly—Rewind and Wind-up Starter Used before Serial No. 6405250 and Type Nos. 0364, 0376, 0419.   |          | <b>Note:</b> | 220648 Screen—Rotating Used before Serial No. 6405250.                           |          | <b>Note:</b> | 211293 Shaft Assembly—Drive Order—Shaft Assembly—Drive Used on Model 80300 Series Type Nos. 0464, 0472, 943049, 943206; Also those used on Model 81300 Series Type Nos. 0163, 0185, 0222, 0237, 0260, 943555, 943576, 943647, 943649, 943759, 943858, 943860, 943877, 943882, 943952, 943963— from the equipment manufacturer. |
| 67       | 212131       | Housing—Starter Clutch Used after Serial No. 6405220.  | 74       | 93490        | Screw—Rotating Screen Mounting Sem   | 84       | 92617        | Plug—Breather  |
|          | <b>Note:</b> | 210400 Housing—Starter Clutch Used before Serial No. 6405250.  | 75       | 220865       | Washer—Spring (Used to lock rewind and wind-up starter clutch)                   | 85       | 92747        | Screw—Gear Case Mounting Sem   |
|          |              |  | 76       | 68238        | Washer—Ratchet Sealing Used after Serial No. 6405220.                            | 86       | 291730       | Cover Assembly—Gear Case   |
|          |              |  |          |              |  |          | <b>Note:</b> | Order—Cover Assy.—Gear Case Used on Model 80300, 80400 Series Type Nos. 0282, 0428, 0464, 0472, 943049, 943206;  |



| REF. NO. | PART NO.     | DESCRIPTION   | REF. NO. | PART NO. | DESCRIPTION  | REF. NO. | PART NO. | DESCRIPTION  |
|----------|--------------|---|----------|----------|--|----------|----------|--|
|          |              | Also those used on<br><i>Model 81300 Series</i><br>Type Nos. 0163,<br>0185, 0222, 0237,<br>0260, 943555,<br>943576, 943647,<br>943649, 943759,<br>943860, 943877,<br>943882, 943952,<br>943963—from the<br>equipment mfr.   |          |          | 0487, 0525, 0534,<br>0557, 0565, 0589,<br>0591, 0594, 0597,<br>0600, 0610, 0629,<br>0635, 0646, 0649,<br>0660, 0672, 0675,<br>0676, 0681, 0682,<br>943105, 943136,<br>943149, 943164,<br>943195, 943204,<br>943213, 943217,<br>943255, 943314,<br>943328, 943348,<br>943349, 943371,<br>943392, 943393,<br>943406, 943412,<br>943437, 943444,<br>953019, 953024,<br>953046, 953053,<br>Also used on <i>Model</i><br><i>81300 Series Type</i><br>Nos. 0150, 0152,<br>0188, 0238, 0317,<br>0326, 0327,<br>943598, 943621,<br>943632, 943637,<br>943889, 943899,<br>943911, 943912,<br>943968, 943994,<br>943997, 953507. |          |          | <b>295708</b> Carburetor<br>Assy. (Fuel Pump)<br>Used on Type No.<br>943166.<br><b>295965</b> Carburetor<br>Assembly<br>(Choke-A-Matic)<br>Used on <i>Model 80300</i><br><i>Series Type Nos.</i><br>0301, 0336, 953058;<br>Also used on <i>Model</i><br><i>81300 Series Type</i><br>Nos. 0243, 0298,<br>943600, 943702,<br>943966.<br><b>295967</b> Carburetor<br>Assembly.<br>(Choke-A-Matic)<br>Used on <i>Model 80300</i><br><i>Series Type Nos.</i><br>0220, 0345, 0398,<br>0404, 0432,<br>943470, 943495,<br>953074, 953083;<br>Also used on <i>Model</i><br><i>81300 Series Type</i><br>Nos. 0195, 0231,<br>0296, 943602,<br>943603, 943604,<br>943605, 943616,<br>943661, 943878,<br>943948, 943962,<br>943979, 943988.<br><b>296730</b> Carburetor<br>Assy. (Manual Choke)<br>Used on Type No.<br>943780.<br><b>297167</b> Carburetor<br>Assy. (Manual Choke)<br>Used on <i>Model 80300</i><br><i>Series Type Nos.</i><br>0155, 953005,<br>953027;<br>Also used on <i>Model</i><br><i>81300 Series Type</i><br>Nos. 943891, 943909,<br>943922. |
| 87       | 19011        | Seal—Oil  |          |          |  |          |          |  |
| 88       | 27313        | Gasket—Gear Case<br>Cover   |          |          |  |          |          |  |
| 89       | 93448        | Plug—Oil Drain,<br>1/4" Pipe Thread<br>(Used after Serial<br>No. 6304170)   |          |          |  |          |          |  |
|          | <b>Note:</b> | <b>92015</b> Plug—Oil Drain,<br>1/8" Pipe Thread<br>(Used before Serial<br>No. 6304180)<br><b>92961</b> Elbow Street,<br>1/8, 90°<br>Used on Type No.<br>943569.  |          |          |  |          |          |  |
| 90       | 295607       | Carburetor Assembly<br>(Standard) (Manual<br>Choke)   |          |          | <b>295614</b> Carburetor<br>Assy. (L.P. Gas)<br>Used on <i>Model 80400</i><br><i>Series Type No. 0657.</i><br><b>295615</b> Carburetor<br>Assy. (L.P. Gas)<br>Used on <i>Model 80300</i><br><i>Series Type Nos.</i><br>0322, 0325, 0466,<br>943115, 943119,<br>943233, 943261,<br>943296, 943490,<br>943493, 943494;<br>Also used on <i>Model</i><br><i>81300 Series Type</i><br>Nos. 0202, 0253,<br>0262, 943686,<br>943691, 943735,<br>943790, 943806,<br>943829, 943859,<br>943939, 943969,<br>943999.  |          |          | <b>295609</b> Carburetor Assembly<br>(Standard) (Manual<br>Choke)<br><b>Note:</b> This group of Carbu-<br>retors including No.<br>295609 is used on<br><i>Model 80400, 81400</i><br><i>Series engines.</i>   |
|          | <b>Note:</b> | This group of Carbu-<br>retors including No.<br>295607 is used on<br><i>Model 80300, 81300</i><br><i>Series engines.</i><br><b>295555</b> Carburetor<br>Assy. (Remote Choke)<br>Used on <i>Model 80300</i><br><i>Series Type Nos.</i><br>0365, 0378, 0519,<br>953002;<br>Also used on <i>Model</i><br><i>81300 Series type</i><br>Nos. 0197, 943548,<br>943550, 943579,<br>943580.<br><b>295560</b> Carburetor<br>Assy. (Kerosene)<br>Used on <i>Model 80300</i><br><i>Series Type Nos.</i><br>0196, 0205, 0218,<br>0231, 0246, 0261,<br>0263, 0275, 0289,<br>0366, 0436, 0460, |          |          |  |          |          |  |

**80300 to 80499**  
**81300 to 81499**

| REF. NO.  | PART NO.      | DESCRIPTION   | REF. NO.  | PART NO.                   | DESCRIPTION   | REF. NO.   | PART NO.      | DESCRIPTION  |
|-----------|---------------|---|-----------|----------------------------|---|------------|---------------|--|
|           | <b>295529</b> | Carburetor Assy. (Automatic Choke)<br>Used on <i>Model 80400</i> Series Type Nos. 0255, 0385, 943046, 943121, 943127, 943139, 943182, 943190, 953079;<br>Also used on <i>Model 81400</i> Series Type Nos. 943687, 943788, 943843, 943917, 943918. |           | <b>Note:</b> <b>295531</b> | Housing Assy.—Throttle<br>Used on <i>Model 80400, 81400</i> Series engines.   |            |               | 943600, 943602, 943603, 943604, 943605, 943616, 943661, 943962, 943966, 943979, 943988.  |
|           | <b>295572</b> | Carburetor Assy. (Kerosene)<br>Used on <i>Model 80400</i> Series Type Nos. 943102, 943181;<br>Also used on <i>Model 81400</i> Series Type Nos. 0305, 943492, 943660.  |           | <b>295875</b>              | Housing Assy.—Throttle<br>Used on <i>Model 80300</i> Series Type Nos. 0220, 0301, 0336, 0345, 0398, 0404, 0432, 943470, 943495, 953058, 953074, 953083;<br>Also used on <i>Model 81300</i> Series Type Nos. 0243, 0298, 943600, 943602, 943603, 943604, 943605, 943616, 943661, 943702, 943780, 943878, 943948, 943962, 943966, 943979, 943988. | <b>98</b>  | <b>91920</b>  | Screw—Machine, Fill. Hd.—8-32 x 5/8"   |
|           | <b>295614</b> | Carburetor Assy. (L.P. Gas)<br>Used on <i>Model 80400</i> Series Type Nos. 0072, 0241, 0268, 0339, 0358, 0392, 0434, 0453, 0520, 943114, 943260, 943425, 953113;<br>Also used on <i>Model 81400</i> Series Type Nos. 943813, 943900, 943944.      | <b>92</b> | <b>99634</b>               | Body—Upper Carb.<br><b>Note:</b> If Part is Not Available, Order Ref. No. 91.   | <b>99</b>  | <b>†26157</b> | Spring—Throttle Adjustment   |
|           | <b>295819</b> | Carburetor Assy. (Automatic Choke—Fuel Pump)<br>Used on <i>Model 80400</i> Series Type Nos. 943190, 943275, 943365, 943403.   | <b>93</b> | <b>23230</b>               | Bushing—Throttle Shaft  | <b>101</b> | <b>93043</b>  | Pin—Throttle Stop and Governor Shaft   |
|           | <b>298482</b> | Carburetor Assy. (Remote Choke)<br>Used on <i>Model 80400</i> Series Type Nos. 0277, 0383.  | <b>94</b> | <b>†292681</b>             | Valve Assembly—Carburetor Idle  | <b>102</b> | <b>†27917</b> | Gasket—Carburetor Body   |
| <b>91</b> | <b>295608</b> | Housing Assembly—Throttle<br>Used on <i>Model 80300, 81300</i> Series engines.  | <b>95</b> | <b>93499</b>               | Screw—Throttle Valve Mounting Sem   | <b>104</b> | <b>†23114</b> | Pin—Float Hinge  |
|           |               |   | <b>96</b> | <b>22036</b>               | Valve—Throttle  | <b>107</b> | <b>295617</b> | Body Assy.—Carb.<br><b>Note:</b> <b>295532</b> Body Assy.—Lower Carburetor<br>Used on <i>Model 80400</i> Series Type Nos. 0255, 0385, 943046, 943121, 943127, 943139, 943182, 943190, 943275, 943365, 943403, 953079;<br>Also used on <i>Model 81400</i> Series Type Nos. 943687, 943788, 943843, 943917, 943918.                              |
|           |               |   | <b>97</b> | <b>295436</b>              | Shaft and Lever—Throttle<br>Used on <i>Model 80300, 81300</i> Series engines.   |            |               | <b>295554</b> Body Assy.—Lower Carburetor<br><b>Uses:</b><br><b>90051</b> Screw—Machine, Rd. Hd.—6-32 x 5/16"<br><b>93141</b> Washer—Lock No. 6 x 3/64 x 1/32"<br>Used on <i>Model 80300, 80400</i> Series Type Nos. 0277, 0365, 0378, 0383, 953002;<br>Also used on <i>Model 81300</i> Series Type Nos. 0197, 943548, 943550, 943579, 943580. |
|           |               |   |           | <b>Note:</b> <b>295448</b> | Shaft and Lever—Throttle<br>Used on <i>Model 80400, 81400</i> Series engines.   |            |               |  |
|           |               |   |           | <b>295464</b>              | Shaft and Lever—Throttle<br>Used on <i>Model 80300</i> Series Type Nos. 0220, 0301, 0336, 0345, 0398, 0404, 0432, 943470, 943495, 953058, 953074, 953083;<br>also used on <i>Model 81300</i> Series Type Nos. 0195, 0231, 0243, 0296, 0298.   |            |               |  |

†Included in Carburetor Overhaul Kit—Part No. 291691.

| REF. NO. | PART NO. | DESCRIPTION  | REF. NO. | PART NO. | DESCRIPTION   | REF. NO. | PART NO. | DESCRIPTION  |
|----------|----------|--|----------|----------|---|----------|----------|--|
|          |          | <p><b>295966</b> Body Assy.—<br/>Lower Carburetor<br/>Used on <i>Model 80300</i><br/>Series Type Nos.<br/>0301, 0336, 953058;<br/>Also used on <i>Model 81300</i> Series Type<br/>Nos. 0243, 0298,<br/>943600, 943702,<br/>943966.</p> <p><b>295968</b> Body Assy.—<br/>Lower Carburetor<br/>Used on <i>Model 80300</i><br/>Series Type Nos.<br/>0220, 0345, 0398,<br/>0404, 0432,<br/>943470, 943495,<br/>953074, 953083;<br/>Also used on <i>Model 81300</i> Series Type<br/>Nos. 0195, 0231,<br/>0296, 943602,<br/>943603, 943604,<br/>943605, 943616,<br/>943661, 943878,<br/>943948, 943962,<br/>943966, 943979,<br/>943988.</p> <p><b>297115</b> Body Assy.—<br/>Lower Carburetor<br/>Used on Type No.<br/>943780.</p> |          |          | <p>Also used on <i>Model 81300, 81400</i> Series<br/>Type Nos. 0195,<br/>0197, 0231, 0243,<br/>0296, 0298,<br/>943548, 943550,<br/>943579, 943580,<br/>943600, 943602,<br/>943603, 943604,<br/>943605, 943616,<br/>943661, 943702,<br/>943780, 943878,<br/>943891, 943909,<br/>943922, 943948,<br/>943962, 943966,<br/>943979, 943988.</p> <p><b>22876</b> Valve—Choke<br/>(with holes)<br/><b>Uses:</b><br/><b>93499</b> Screw<br/>(for mounting)<br/>Used on <i>Model 80400</i><br/>Series Type Nos.<br/>0255, 0385, 943046,<br/>943121, 943127,<br/>943139, 943182,<br/>943190, 943275,<br/>943365, 943403,<br/>953079;<br/>Also used on <i>Model 81400</i> Series Type<br/>Nos. 943687,<br/>943788, 943843,<br/>943917, 943918.</p> |          |          | <p><b>294489</b> Shaft, Lever<br/>and Vane Assembly—<br/>Automatic Choke<br/><b>Uses:</b><br/><b>291040</b> Lever and<br/>Weight Assy.<br/><b>Includes:</b><br/><b>90200</b> Screw<br/>(for mounting)<br/>Used on <i>Model 80400</i><br/>Series Type Nos.<br/>0255, 0385, 943046,<br/>943121, 943127,<br/>943139, 943182,<br/>943190, 943275,<br/>943365, 943403,<br/>953079;<br/>Also used on <i>Model 81400</i> Series Type<br/>Nos. 943687,<br/>943788, 943843,<br/>943917, 943918.</p> <p><b>295574</b> Shaft<br/>Assembly—Choke<br/>(Choke-A-Matic)<br/>Used on <i>Model 80300</i><br/>Series Type Nos.<br/>0220, 0301, 0336,<br/>0345, 0398, 0404,<br/>0432, 943470,<br/>943495, 953058,<br/>953074, 953083;<br/>Also used on <i>Model 81300</i> Series Type<br/>Nos. 0195, 0231,<br/>0243, 0296, 0298,<br/>943600, 943602,<br/>943603, 943604,<br/>943605, 943616,<br/>943661, 943702,<br/>943878, 943948,<br/>943962, 943966,<br/>943979, 943988.</p> <p><b>295702</b> Shaft Assy.—<br/>Choke<br/>Uses on <i>Model 80300</i><br/>Series Type Nos.<br/>0155, 953005,<br/>953027;<br/>Also used on <i>Model 81300</i> Series Type<br/>Nos. 943780, 943891,<br/>943909, 943922.</p> |
| 108      | 220897   | <p>Valve—Choke<br/><b>Note:</b> <b>22050</b> Valve—Choke<br/>(with hole)<br/><b>Uses:</b><br/><b>93499</b> Screw<br/>(for mounting)<br/>Used on <i>Model 80300, 80400</i> Series Type<br/>Nos. 0155, 0220,<br/>0277, 0301, 0336,<br/>0345, 0365, 0378,<br/>0383, 0398, 0404,<br/>0432, 943470,<br/>943495, 953002,<br/>953005, 953027,<br/>953058, 953074,<br/>953083;</p>   | 109      | 294874   | <p>Shaft and Lever<br/>Assy.—Choke<br/><b>Note:</b> <b>291061</b> Shaft and<br/>Lever Assy.—Choke<br/>Used on <i>Model 80300</i><br/>Series Type Nos.<br/>0277, 0365, 0378,<br/>0383, 0519, 953002;<br/>Also used on <i>Model 81300</i> Series Type<br/>Nos. 0197, 943548,<br/>943550, 943579,<br/>943580.</p>  |          |          |  |

**80300 to 80499**

**81300 to 81499**

| REF. NO. | PART NO. | DESCRIPTION  | REF. NO. | PART NO. | DESCRIPTION   | REF. NO. | PART NO. | DESCRIPTION   |
|----------|----------|--|----------|----------|---|----------|----------|---|
| 110      | 220899   | Washer—Choke Lever<br><b>Note:</b> 22062 Washer—Choke Lever<br>Used on Model 80300 Series Type Nos. 953005, 953027; Also used on Model 81300 Series Type Nos. 943780, 943891, 943909, 943922.  | 118      | 230005   | Valve—Needle<br><b>Note:</b> 292088 Valve—Needle Used on Model 80300, 80400 Series Type Nos. 0196, 0205, 0218, 0231, 0246, 0261, 0262, 0263, 0275, 0289, 0366, 0436, 0460, 0487, 0525, 0534, 0557, 0565, 0589, 0591, 0594, 0597, 0600, 0610, 0646, 0649, 943102, 943105, 943136, 943149, 943164, 943181, 943195, 943204, 943213, 943217, 943255, 943314, 943328, 943348, 943349, 943371, 943392, 943393, 943406, 943412, 943437, 943444, 943492, 953019, 953024, 953046, 953053; Also used on Model 81300, 81400 Series Type Nos. 0150, 0152, 0188, 0238, 0305, 0317, 0326, 0327, 943598, 943621, 943632, 943637, 943660, 943889, 943899, 943911, 943912, 943968, 943994, 953507. | 132      | 61967    | Stop—Throttle Lever<br><b>Note:</b> 295804 Stop—Throttle Lever Used on Model 80300 Series Type Nos. 0220, 0301, 0336, 0345, 0398, 0404, 0432, 943470, 943495, 953058, 953074, 953083; Also used on Model 81300 Series Type Nos. 0195, 0231, 0243, 0296, 0298, 943600, 943602, 943603, 943604, 943605, 943616, 943661, 943702, 943780, 943878, 943948, 943962, 943966, 943979, 943988. |
| 111      | 26229    | Spring—Choke Lever<br><b>Note:</b> 26228 Spring—Choke Return<br>Used on Model 80300 Series Type Nos. 0277, 0365, 0378, 0383, 0519, 953002; Also used on Model 81300 Series Type Nos. 0197, 943548, 943550, 943579, 943580.<br>260396 Spring—Choke Return<br>Used on Model 80300 Series Type Nos. 0220, 0301, 0336, 0345, 0398, 0404, 0432, 943470, 943495, 953058, 953074, 953083; Also used on Model 81300 Series Type Nos. 0195, 0231, 0243, 0296, 0298, 943600, 943602, 943603, 943604, 943605, 953616, 943661, 943702, 943878, 943948, 943962, 943966, 943979, 943988. | 119      | 93347    | Screw—Throttle Hsg., and Fuel Pump Body Mounting Sem  | 133      | 293477   | Float—Carburetor  |
| 112      | 23270    | Screw—Choke Lever  | 120      | 92290    | Washer—Lock—No. 10 x 1/16 x 3/64"   | 134      | †293478  | Valve and Seat—Fuel Inlet   |
| 113      | †23222   | Nozzle—Carburetor  | 121      | 291691   | Carburetor Overhaul Kit   | 135      | 68877    | Gasket—Fuel Inlet Valve Seat  |
| 114      | †68887   | Packing—Needle Valve   | 127      | 220352   | Plug—Welch  | 157      | 27840    | Gasket—Venturi  |
| 117      | †23227   | Nut—Needle Valve Packing   | 128      | 210811   | Venturi—Carburetor  | 158      | 27590    | Filter—Carb. Drain  |
|          |          |  |          |          |   | 159      | 220521   | Retainer—Carburetor Drain Filter  |
|          |          |  |          |          |   | 160      | 393766   | Dual Element Air Cleaner Kit<br><b>Replaced</b> Air Cleaner Assy. (with mounting stud)<br><b>Note:</b> 294870 Cleaner Assy.—Air (with mounting stud)<br>Used on Type No. 943153.<br>296098 Cleaner—Air Used on Model 80300 Series Type No. 943233; Also used on Model 81300 Series Type No. 943686.   |
|          |          |  |          |          |   | 161      | 293991   | Bowl—Air Cleaner  |

†Included in Carburetor Overhaul Kit—Part No. 291691.

| REF. NO. | PART NO. | DESCRIPTION  | REF. NO. | PART NO. | DESCRIPTION  | REF. NO. | PART NO. | DESCRIPTION  |   |
|----------|----------|--|----------|----------|--|----------|----------|--|---|
| 162      | 294863   | Cover and Filter—<br>Air Cleaner (with<br>mounting stud)<br><b>Note:</b> 294861 Cover and<br>Filter—Air Cleaner<br>(with mounting stud)<br>Used on Type No.<br>943153.   | 174      | 27423    | Gasket—Flame<br>Arrestor Mounting  |          | 291420   | Tank Assy.—<br>Fuel (4 Qt. round)<br>Used on Type Nos.<br>943550, 943580.<br>Mounting parts for No.<br>291420 tanks are sup-<br>plied by the equip-<br>ment manufacturer.  |   |
| 163      | 27660    | Gasket—Air Cleaner<br>Mounting   | 175      | 23215    | Spacer—Flame<br>Arrestor   |          | 291488   | Tank Assy.—<br>Fuel (6 Qt.)<br>Used on Type No.<br>943118.<br><b>Uses:</b>   |   |
| 163A     | 271042   | Gasket—Air Cleaner<br>Mounting   | 176      | 27603    | Gasket—Air Cleaner<br>Elbow  |          | 22813    | Bracket—Tank   |   |
| 164      | 210534   | Elbow—Air Cleaner  | 180      | 292945   | Tank Assy.—Fuel<br>(3 Qt.)<br><b>Note:</b> Fuel tanks for the<br>type numbers below<br>are supplied by the<br>equipment mfr:<br><i>Model 80300, 80400</i><br>Series Type Nos.<br>0241, 0268, 0325,<br>943115, 943119,<br>943223, 943261,<br>943296, 943490,<br>943493, 943494,<br>953113;<br>Also those used on<br><i>Model 81300, 81400</i><br>Series Type Nos.<br>0202, 943686,<br>943691, 943735,<br>943790, 943806,<br>943813, 943829,<br>943859, 943900,<br>943939, 943944,<br>943969, 943999.<br><b>290816</b> Tank Assy.—<br>Fuel (4 Qt.)<br>Used on <i>Model 80300</i><br>Series Type Nos.<br>0158, 0522,<br>943117, 943142,<br>943477;<br>Also used on <i>Model</i><br><i>81300</i> Series Type<br>No. 943760.<br>Mounting parts for<br>this tank used on Type<br>Nos. 0158,<br>943117, 943142,<br>943477 are furnished<br>by the equipment<br>manufacturer.<br>On Type No. 943760<br>use:<br><b>291367</b> Strap Assy.—<br>Tank. |          | 22907    | Support—Tank   |   |
| 165      | 92067    | Nut—Wing   |          |          |  |          | 291490   | Strap Assy.—<br>Tank   |   |
| 165A     | 93856    | Wing Nut   |          |          |  |          | 90970    | Nut—Square,<br>1/4-20  |   |
| 166      | 230238   | Stud—Air Cleaner<br><b>Note:</b> 63949 Stud—Air<br>Cleaner<br>Used on <i>Model 80300</i><br>Series Type Nos.<br>0220, 0398, 0432,<br>953083;<br>Also used on <i>Model</i><br><i>81300</i> Series Type<br>No. 943979.<br><b>230058</b> Stud—Air<br>Cleaner<br>Used on <i>Model 80300</i><br>Series Type Nos.<br>0155, 953027;<br>Also used on <i>Model</i><br><i>81300</i> Series Type<br>Nos. 943780, 943922.<br><b>230361</b> Stud—Air<br>Cleaner<br>Used on <i>Model 80300</i><br>Series Type No.<br>943233;<br>Also used on <i>Model</i><br><i>81300</i> Series Type<br>No. 943686.<br><b>230519</b> Stud—Air<br>Cleaner<br>Used on Type No.<br>943666. |          |          |  |          |          | 91257  | Screw—Machine,<br>Fill. Hd.—<br>1/4-20 x 1-1/2" |
| 166A     | 231177   | Stud—Air Cleaner   |          |          |  |          |          | <b>292944</b> Tank Assy.—<br>Fuel (2 Qt.)<br>Used on <i>Model 80300,</i><br><i>80400</i> Series Type<br>Nos. 0011, 0148,<br>0152, 0155, 0156,<br>0165, 0166, 0188,<br>0190, 0204, 0233,<br>0249, 0250, 0258,<br>0262, 0336, 0345,<br>0351, 0355, 0357,<br>0364, 0393, 0395,<br>0399, 0411, 0421,<br>0435, 0462, 0471,<br>0474, 0475, 0487,<br>0488, 0492, 0494,<br>0497, 0507, 0516,<br>0537, 0540, 0545,<br>0559, 0560, 0562,<br>0564, 0576, 0577,<br>0587, 0597, 0599,<br>0607, 0611, 0613,<br>0620, 0654, 0665,<br>0669, 0683,<br>943043, 943058,<br>943077, 943088,<br>943097, 943128,<br>943153, 943165,<br>943166, 943187,<br>943199, 943200,<br>943202, 943238, |   |
| 169      | 90832    | Washer—Lock—<br>1/4 x 3/32 x 5/64"   |          |          |  |          |          |  |   |
| 171      | 92129    | Nut—Hex.—1/4-28  |          |          |  |          |          |  |   |
| 172      | 27795    | Gasket—Air Cleaner   |          |          |  |          |          |  |   |
| 172A     | 271077   | Gasket—Air Cleaner   |          |          |  |          |          |  |   |
| 172B     | 280213   | Spacer—Air Cleaner   |          |          |  |          |          |  |   |
| 173      | 99395    | Arrestor—Flame   |          |          |  |          |          |  |   |

**80300 to 80499**

**81300 to 81499**

| REF. NO. | PART NO.   | DESCRIPTION | REF. NO.   | PART NO.   | DESCRIPTION | REF. NO. | PART NO. | DESCRIPTION  |
|----------|--|-------------|------------|--|-------------|----------|----------|--|
|          | 943239, 943253,<br>943265, 943268,<br>943273, 943291,<br>943292, 943312,<br>943317, 943319,<br>943320, 943321,<br>943335, 943340,<br>943343, 943358,<br>943372, 943389,<br>943397, 943402,<br>943415, 943498,<br>953003, 953004,<br>953018, 953027,<br>953033, 953050,<br>953055, 953085,<br>953086, 953091;<br>Also used on Model<br>81300, 81400 Series<br>Type Nos. 0157, 0158,<br>0159, 0160, 0161,<br>0162, 0165, 0168,<br>0180, 0181, 0212,<br>0218, 0224, 0228,<br>0230, 0231, 0232,<br>0243, 0251, 0252,<br>0275, 0281, 0284,<br>0286, 0295, 0313,<br>0317, 0328, 0329,<br>943527, 943541,<br>943549, 943557,<br>943559, 943563,<br>943571, 943575,<br>943587, 943589,<br>943602, 943603,<br>943604, 943605,<br>943608, 943609,<br>943610, 943614,<br>943618, 943633,<br>943639, 943643,<br>943666, 943677,<br>943681, 943696,<br>943697, 943699,<br>943700, 943703,<br>943704, 943705,<br>943706, 943721,<br>943724, 943725,<br>943728, 943732,<br>943740, 943753,<br>943762, 943766,<br>943767, 943780,<br>943786, 943799,<br>943800, 943842,<br>943845, 943857, |             |            | 943880, 943888,<br>943922, 943936,<br>943942, 943973,<br>943974, 943976,<br>953506, 953509,<br>953512.<br><b>392911</b> Tank Assy.—<br>Fuel (3 Qt.)<br>(Kerosene—Gasoline)<br><b>Uses:</b><br><b>222759</b> Support—Fuel<br>Tank<br><b>393181</b> Strap Assy.<br><b>93294</b> Screw—Sem<br>(Support to Cylinder)<br><b>220863</b> Washer<br>(between Support and<br>Cylinder Head)<br><b>392886</b> Cap—Fuel Tank<br>(small)<br><b>392887</b> Cap—Fuel Tank<br>(large)<br>Used on Model 80300<br>Series Type Nos. 0629,<br>0635, 0646, 0649. |             |          |          | <b>182</b> <b>220195</b> Bracket—Fuel Tank<br><b>Note:</b> <b>220498</b> Bracket—<br>Fuel Tank<br>Used on Model 80300<br>Series Type Nos.<br>0357, 0364, 0507,<br>0669.<br><b>221012</b> Bracket—<br>Fuel Tank<br><b>Uses:</b><br><b>91419</b> Screw—Cap,<br>Hex. Hd.—<br>1/4-20 x 5/8 -<br><b>90832</b> Washer—Lock<br>to mount Bracket to<br>Gear Case<br>Used on Model 80300<br>Series Type No.<br>943106;<br>Also used on Model<br>81300 Series Type<br>Nos. 943630, 943718.<br>For Kerosene—Gasoline<br>Fuel Caps, see Ref.<br>No. 180.   |
|          |  |             | <b>181</b> | <b>69221</b><br><b>Note:</b> <b>69961</b> Cap—Fuel Tank<br>Used on Model 80300<br>Series Type Nos.<br>943117, 943118,<br>943142;<br>Also used on Model<br>81300 Series Type<br>Nos. 943550, 943580.<br><b>297866</b> Cap—Fuel Tank<br>Used on Model 80300<br>Series Type Nos.<br>0155, 0330, 0357,<br>0364, 0376,<br>943467, 953027,<br>953092;<br>Also used on Model<br>81300 Series Type<br>Nos. 0311, 943984.<br><b>393156</b> Cap—Fuel Tank<br>(Chrome)<br>Used on Model 80300<br>Series Type Nos.<br>2015, 2035, 2037,<br>2049.         |             |          |          | <b>186</b> <b>66111</b> Connector—Fuel Pipe<br>(Imperial Brass Co.<br>No. 69-F)<br><b>187</b> <b>296004</b> Pipe—Fuel (Flexible)<br><b>Note:</b> <b>394302</b> Line—Fuel<br>(Flexible)<br>(10-3/8- long)<br><b>Uses:</b><br><b>93807</b> Clip—Fuel Line<br>Used on Gear Reduc-<br>tion, 12 o'clock<br>position.<br><b>187A</b> <b>391498</b> Pipe—Fuel (Metal)<br><b>Note:</b> Fuel pipes for the type<br>numbers below are<br>supplied by the equip-<br>ment manufacturers:<br>Model 80300, 80400<br>Series Type Nos.<br>0241, 0268,<br>943115, 943119,<br>943223, 943261,<br>943296, 943490,<br>943493, 943494,<br>953113; |

| REF. NO. | PART NO. | DESCRIPTION  | REF. NO. | PART NO. | DESCRIPTION   | REF. NO. | PART NO. | DESCRIPTION  |
|----------|----------|--|----------|----------|---|----------|----------|--|
|          |          | Also used on <i>Model 81300, 81400 Series</i><br>Type Nos. 0202,<br>943686, 943691,<br>943735, 943790,<br>943806, 943813,<br>943829, 943859,<br>943900, 943939,<br>943944, 943969,<br>943999.<br><b>69500</b> Pipe—Fuel<br>Used on Type No.<br>943537.<br><b>89663</b> Pipe—Fuel<br>Used on Type No.<br>943173.<br><b>291128</b> Pipe—Fuel—<br>13-1/4- long<br>Used on Type No.<br>943051.<br><b>293672</b> Pipe—Fuel<br>Used on all <b>Gear Re-<br/>ductions</b> in <b>12 o'clock</b><br>position and on Type<br>No. 0641.<br><b>294442</b> Pipe—Fuel<br>(Kerosene)<br>Used on <i>Model 80300</i><br>Series Type Nos.<br>943091, 943279;<br>Also used on <i>Model</i><br><i>81300 Series</i> Type<br>Nos. 943533,<br>943567, 943569.<br><b>294530</b> Pipe—Fuel<br>(short)<br><b>294531</b> Pipe—Fuel<br>(long)<br><b>292486</b> Wing Plug,<br>Chain and Clip Assy.<br><b>99511</b> Tee (Imperial<br>Brass Co. No. 72-F)<br><b>92713</b> Coupling<br>The above fuel pipes<br>and fittings are used<br>on <i>Model 80300,</i><br><i>80400 Series</i> Type<br>Nos. 0289, 0366,<br>0436, 0460, 0487,<br>0525, 0534, 0557,<br>0565, 0589, 0591,<br>0594, 0597, 0600,<br>0610, 0629. |          |          | 943102, 943105,<br>943136, 943164,<br>943181, 943195,<br>943204, 943213,<br>943217, 943255,<br>943314, 943328,<br>943348, 943349,<br>943371, 943392,<br>943393, 943406,<br>943412, 943437,<br>943444, 943492,<br>953019, 953024,<br>953046, 953053;<br>Also used on <i>Model</i><br><i>81300, 81400 Series</i><br>Type Nos. 0150, 0152,<br>0188, 0238, 0305,<br>0317, 0326, 0327,<br>943598, 943621,<br>943632, 943637,<br>943660, 943889,<br>943899, 943911,<br>943912, 943968,<br>943994, 943997,<br>953507.<br><b>294530</b> Pipe—Fuel<br>(short)<br><b>294951</b> Pipe—Fuel<br>(long)<br><b>292486</b> Wing Plug,<br>Chain and Clip Assy.<br><b>99511</b> Tee (Imperial<br>Brass Co. No. 72-F)<br><b>92713</b> Coupling<br>The above fuel pipes<br>and fittings are used<br>on <i>Model 80300,</i><br><i>80400 Series</i> Type<br>Nos. 0196, 0205,<br>0218, 0231, 0246,<br>0261, 0263, 0275,<br>943149.<br><b>294553</b> Pipe—Fuel<br>Used on <i>Model 80300,</i><br><i>80400 Series</i> Type<br>Nos. 0385,<br>943121, 943127,<br>943139, 943182,<br>953079;<br>Also used on <i>Model</i><br><i>81400 Series</i> Type<br>Nos. 943687, 943843. |          |          | <b>294725</b> Pipe—Fuel<br>Used on <i>Model 80300,</i><br><i>80400 Series</i> Type<br>Nos. 0051,<br>943086, 943166,<br>943209, 943365,<br>943483;<br>Also used on <i>Model</i><br><i>81300, 81400 Series</i><br>Type Nos. 943588,<br>943764, 943918,<br>943940.<br><b>294754</b> Pipe—Fuel<br>Used on Type Nos.<br>943190, 943403.<br><b>294901</b> Pipe—Fuel<br>Used on <i>Model 80300,</i><br><i>80400 Series</i> Type<br>No. 943041;<br>Also used on <i>Model</i><br><i>81300, 81400 Series</i><br>Type Nos. 0271,<br>943693, 943792,<br>943885.<br><b>295422</b> Pipe—Fuel<br>Used on <i>Model 80300,</i><br><i>80400 Series</i> Type<br>Nos. 0072, 0241,<br>0268, 0322, 0325,<br>0339, 0358, 0392,<br>0453, 0466,<br>943114, 943260,<br>943425, 953113;<br>Also used on <i>Model</i><br><i>81300, 81400 Series</i><br>Type Nos. 0253, 0262,<br>943813, 943944.<br><b>297443</b> Pipe—Fuel<br>Used on Type No.<br>943931.<br><b>391409</b> Pipe—Fuel<br>Used on <i>Model 80300,</i><br><i>80400 Series</i> Type<br>Nos. 0345, 943058,<br>943090, 943124,<br>943125, 943165,<br>943251, 943266,<br>943292, 943317,<br>943415; |

**80300 to 80499**

**81300 to 81499**

| REF. NO. | PART NO.     | DESCRIPTION   | REF. NO. | PART NO. | DESCRIPTION   | REF. NO. | PART NO. | DESCRIPTION   |
|----------|--------------|---|----------|----------|---|----------|----------|---|
|          |              | Also used on <i>Model 81300, 81400 Series</i><br>Type Nos. 0231, 0232.  |          |          | 0577, 0587, 0597,<br>0599, 0607, 0611,<br>0613, 0654, 0683,<br>943043, 943077,<br>943088, 943097,<br>943128, 943153,<br>943199, 943200,<br>943202, 943238,<br>943239, 943265,<br>943268, 943273,<br>943291, 943312,<br>943319, 943320,<br>943321, 943335,<br>943340, 943343,<br>943358, 943372,<br>943389, 943397,<br>943402, 943498,<br>953003, 953018,<br>953023, 953027,<br>953033, 953050,<br>953055, 953085,<br>953086, 953091;<br>81300, 81400 Series<br>Type Nos. 0157,<br>0158, 0159, 0160,<br>0161, 0162, 0165,<br>0168, 0180, 0181,<br>0212, 0218, 0224,<br>0228, 0230, 0243,<br>0251, 0252, 0275,<br>0281, 0284, 0286,<br>0295, 0313, 0317,<br>0328, 0329,<br>943527, 943541,<br>943557, 943559,<br>943571, 943575,<br>943587, 943589,<br>943602, 943604,<br>943608, 943609,<br>943610, 943614,<br>943618, 943633,<br>943639, 943643,<br>943666, 943677,<br>943681, 943696,<br>943697, 943699,<br>943700, 943703,<br>943704, 943705,<br>943706, 943721,<br>943728, 943732,<br>943740, 943753,<br>943762, 943766,<br>943767, 943780,<br>943786, 943799, |          |          | 943800, 943842,<br>943857, 943880,<br>943888, 943922,<br>943936, 943973,<br>943974, 943976,<br>953506, 953509,<br>953512.<br><b>220607 Support—</b><br><b>Fuel Tank</b><br><i>Used on Model 80300, 80400 Series Type</i><br><i>Nos. 0206, 0267,</i><br><i>0270, 0280, 0291,</i><br><i>0305, 0331, 0360,</i><br><i>0426, 0433, 0476,</i><br><i>0489, 0515, 0526,</i><br><i>0532, 0569, 0606,</i><br><i>0608, 0609, 0653,</i><br><i>0673, 0680,</i><br>943035, 943039,<br>943040, 943041,<br>943046, 943047,<br>943052, 943109,<br>943135, 943138,<br>943149, 943224,<br>943285, 943287,<br>943295, 943308,<br>943310, 943342,<br>943390, 943432,<br>943486, 953040,<br>953056, 953081; Also<br><i>used on Model 81300,</i><br><i>81400 Series Type</i><br><i>Nos. 0179, 0203,</i><br><i>0211, 0235, 0241,</i><br><i>0266, 0271, 0289,</i><br><i>0306, 0308, 0309,</i><br>943542, 943549,<br>943573, 943601,<br>943641, 943642,<br>943693, 943726,<br>943739, 943765,<br>943777, 943788,<br>943792, 943822,<br>943838, 943885,<br>943893, 943915. |
| 189      | 90366        | Washer—Lock—<br>5/16 x 1/8 x 1/16"  |          |          |   |          |          |   |
| 195      | 91635        | Connector—Fuel Filter   |          |          |   |          |          |   |
| 196      | 220369       | Support—Fuel Tank   |          |          |   |          |          |   |
|          | <b>Note:</b> | <b>220358 Support—</b><br>Fuel Tank<br><i>Used on Model 80300,</i><br><i>80400 Series Type</i><br><i>Nos. 0011, 0148,</i><br><i>0152, 0155, 0165,</i><br><i>0166, 0188, 0190,</i><br><i>0204, 0233, 0249,</i><br><i>0250, 0258, 0262,</i><br><i>0336, 0351, 0355,</i><br><i>0393, 0395, 0399,</i><br><i>0411, 0421, 0435,</i><br><i>0462, 0471, 0474,</i><br><i>0475, 0487, 0488,</i><br><i>0492, 0494, 0497,</i><br><i>0516, 0537, 0540,</i><br><i>0545, 0559, 0560,</i><br><i>0562, 0564, 0576,</i> |          |          |   |          |          |   |



| REF. NO.   | PART NO.      | DESCRIPTION   | REF. NO.    | PART NO.      | DESCRIPTION   | REF. NO.   | PART NO.      | DESCRIPTION  |
|------------|---------------|---|-------------|---------------|---|------------|---------------|--|
|            | <b>220610</b> | Support—Fuel Tank<br><b>Uses:</b><br><b>220863</b> Washer between Support and Cylinder Head on (3) bosses.<br>Used on <i>Model 80300</i> Series Type No. 943106; Also used on <i>81300</i> Series Type Nos. 943630, 943718.<br><b>220755</b> Support—Fuel Tank<br>Used on <i>Model 80300, 80400</i> Series Type Nos. 0345, 943058, 943091, 943165, 943249, 943279, 943292, 943317, 943415; Also used on <i>Model 81300, 81400</i> Series Type Nos. 0231, 0232, 943553, 943567, 943569, 943603, 943605, 943684, 943690, 943709, 943711, 943724, 943725, 943845, 943931, 943942.<br>For <b>Kerosene—Gasoline</b> Fuel Tank Support, see Ref. No. 180. | <b>200</b>  | <b>297309</b> | Blade—Governor<br>Used on <i>Model 80300, 81300</i> Series engines on and after Serial No. 6212310, except Type No. 943999 on which Part No. 294617 is used.<br><b>Note:</b> <b>221456</b> Guide—Air<br>Used on <i>Model 80400, 81400</i> Series on and after Serial No. 6212310, except Type Nos. 943900, 953064, 953079 which use Part No. 220692.                          |            |               | 943403, 953079; Also used on <i>Model 81400</i> Series Type Nos. 943687, 943788, 943843, 943917, 943918.   |
|            |               |   | <b>200A</b> | <b>294617</b> | Blade—Governor<br>Used on <i>Model 80300, 81300</i> Series engines before Serial No. 6212310 and on all Type No. 943999 engines.<br><b>Note:</b> <b>220692</b> Guide—Air<br>Used before Serial No. 6212310 on <i>Model 80400, 81400</i> Series engines and on all <i>Model 80400</i> Series Type Nos. 953064, 953079; Also used on <i>Model 81400</i> Series Type No. 943900. | <b>209</b> | <b>26925</b>  | Spring—Governor<br>Used on <i>model 80300, 81300</i> Series.<br><b>Note:</b> <b>260546</b> Spring—Mech. Governor<br>Used on <i>Model 80400, 81400</i> Series.<br><b>260413</b> Spring—Gov.<br>Used on <i>Model 80300</i> Series Type Nos. 0220, 0301, 0336, 0345, 0398, 0404, 0432, 943470, 943495, 953058, 953074, 953083; Also used on <i>Model 81300</i> Series Type Nos. 0195, 0231, 0243, 0296, 0298, 943600, 943602, 943603, 943604, 943605, 943616, 943661, 943702, 943780, 943878, 943948, 943962, 943966, 943979, 943988. |
| <b>197</b> | <b>93083</b>  | Screw—Tank Mtg. Sem   | <b>201</b>  | <b>26235</b>  | Link—Governor<br><b>Note:</b> <b>260076</b> Link—Governor<br>Used on <i>Model 80400, 81400</i> Series.  | <b>219</b> | <b>296688</b> | Governor Housing and Gear Assembly   |
| <b>198</b> | <b>293934</b> | Valve Assembly—Fuel Shut Off<br><b>Note:</b> <b>292370</b> Valve—Fuel Shut Off<br>Used on Type Nos. 943190, 943918.   | <b>204</b>  | <b>23688</b>  | Bushing—Gov. Lever  | <b>220</b> | <b>221361</b> | Washer—Thrust (.030" Thick)<br><b>Note:</b> <b>220673</b> Washer—Thrust (1/16" Thick)<br>Used on earlier model engines.  |
| <b>199</b> | <b>295896</b> | Outlet—Fuel Tank (includes strainer) (For Flexible Fuel Pipe)<br><b>Note:</b> <b>292797</b> Outlet—Fuel Tank (includes strainer) (For Metal Fuel Pipe)  | <b>206</b>  | <b>230149</b> | Nut—Control Rod   | <b>221</b> | <b>230177</b> | Cup—Governor   |
|            |               |   | <b>207</b>  | <b>26855</b>  | Spring—Control Rod  |            |               |  |
|            |               |   | <b>208</b>  | <b>230194</b> | Rod—Control<br><b>Note:</b> <b>230323</b> Rod—Control<br>Used on <i>Model 80400, 81400</i> Series.<br><b>230367</b> Rod—Control (Mechanical Governor—Automatic Choke)<br>Used on <i>Model 80400</i> Series Type Nos. 943046, 943121, 943127, 943139, 943182, 943190, 943275, 943365.  |            |               |  |

80300 to 80499

81300 to 81499

| REF. NO. | PART NO.     | DESCRIPTION   | REF. NO. | PART NO.     | DESCRIPTION  | REF. NO. | PART NO.     | DESCRIPTION   |
|----------|--------------|---|----------|--------------|--|----------|--------------|---|
| 222      | 220691       | Bracket—Mechanical Governor   | 243      | 22547        | Screen—Fuel Filter   | 266      | 290062       | Control—Throttle  |
|          | <b>Note:</b> | 294476 Bracket and Baffle—Mech. Gov. Used on Model 80400 Series Type Nos. 0243, 0255, 0315, 0385, 943045, 943046, 943121, 943127, 943139, 943182, 943190, 943236, 943275, 943301, 943341, 943365, 943394, 943403, 943481, 953001, 953007, 953079; Also used on Model 81400 Series Type Nos. 0211, 0213, 0248, 943687, 943707, 943739, 943788, 943819, 943843, 943917, 943918, 943919, 943944. | 244      | 230318       | Connector—Flexible Fuel Pipe   | 267      | 90080        | Screw—Machine, Rd. Hd.—10-32 x 7/16"  |
| 223      | 220690       | Lever—Mech. Gov.  |          | <b>Note:</b> | 67218 Connector—Flexible Fuel Pipe (at carburetor)   | 268      | 66986        | Casing—Control Wire—48" long  |
| 224      | 93067        | Screw—Governor Lever Mounting Sem   | 244A     | 92427        | 230317 Connector—Flexible Fuel Pipe (at tank) Used on Model 80400 type No. 0309; Also used on Model 81300 Type No. 943891.   |          | <b>Note:</b> | If a longer casing is needed, specify length in inches; if a shorter casing is needed order No. 66986 and cut to required length.   |
| 225      | 230181       | Shaft—Governor Lever  |          | <b>Note:</b> | 230317 Connector—Flexible Fuel Pipe (at tank)  | 269      | 26099        | Wire—Control—54" long   |
| 226      | 220381       | Follower—Governor Crank   |          | <b>Note:</b> | 230318 Connector—Flexible Fuel Pipe (at carburetor) Used on Model 80300, 80400 Series Type Nos. 0180, 0212, 0255, 0444, 943106, 953087; Also used on Model 81300, 81400 Series Type Nos. 943630, 943718. |          | <b>Note:</b> | If longer wire is needed, specify length by inches; if shorter wire is needed order No. 26099 and cut to required length.   |
| 227      | 294077       | Lever Assy.—Governor  | 245      | 68477        | Gasket—Fuel Filter Bowl  |          |              | 26634 Wire—Control—84" long Used on Model 80300 Series Type No. 943310; Also used on Model 81300 Series Type Nos. 943548, 943549, 943550, 943551, 943552, 943623, 943624, 943721, 943816, 943817. |
| 228      | 93100        | Screw—Gov. Lever Mounting   | 246      | 298683       | Bowl—Fuel Filter   | 270      | 63426        | Locknut—Control Wire Casing   |
| 229      | 220680       | Washer—Thrust   | 247      | 99665        | Yoke—Fuel Filter   | 271      | 290568       | Lever Assy.—Control   |
| 230      | 22826        | Washer—Spacer   | 258      | 93062        | Screw—Sem  | 281      | 221090       | Bracket—Top Speed Control Mounting  |
| 231      | 93064        | Screw—Sem   | 259      | 294502       | Bracket—Control Wire Casing  | 285      | 26687        | Link—Choke  |
| 232      | 260178       | Spring—Governor Link  | 260      | 295756       | Housing—Speed Control  | 286      | 294491       | Thermostat Assembly   |
| 233      | 230253       | Stop—Control Rod  |          | <b>Note:</b> | 296039 Housing—Speed   | 288      | 93141        | Screw—Sem   |
| 234      | 220730       | Clip—Control Rod  |          | <b>Uses:</b> | 93223 Screw—Stop   | 296      | 291044       | Lever Assy.—Thermostat  |
| 240      | 393169       | Filter Assembly—Fuel  |          | <b>Uses:</b> | 90355 Nut—Control Used on Type No. 943780.   | 297      | 91811        | Locknut—Exhaust Elbow   |
| 241      | 296005       | Cover Assy.—Fuel Filter   | 261      | 94105        | Screw—Speed Control Housing Mounting Sem   | 298      | 220859       | Locknut—Muffler and Exhaust Elbow   |
|          | <b>Note:</b> | 89347 Cover Assembly—Fuel Filter Used with Metal Fuel Pipe  | 262      | 93394        | Screw—Speed Control Housing Mounting Sem   | 299      | 392811       | Muffler—Exhaust   |
| 242      | 295913       | Lever and Cover—Fuel Shut Off   | 264      | 90355        | Nut—Hex. 10-32   |          | <b>Note:</b> | 394781 Guard—Muffler  |
|          |              |   | 265      | 22372        | Clamp—Casing   |          | <b>Uses:</b> | 93606 Screw (Guard to Muffler Mounting)   |
|          |              |   |          |              |  |          |              | 62199 Washer (Guard to Bracket)   |

| REF. NO.   | PART NO.     | DESCRIPTION   | REF. NO.   | PART NO.     | DESCRIPTION  | REF. NO. | PART NO. | DESCRIPTION  |
|------------|--------------|---|------------|--------------|--|----------|----------|--|
|            |              | <b>93873</b> Screw<br>(Guard to Bracket Mounting)   |            |              | 943813, 943829,<br>943934, 943944,<br>943951, 943974,<br>943993, 953501.   |          |          | 0434, 0453, 0463,<br>0468, 0469, 0480,<br>0520, 0533, 0541,<br>0570, 0657, 0659,<br>943051, 943106,<br>943158, 943233,<br>943236, 943242,<br>943274, 943322,<br>943332, 943380,<br>943388, 943390,<br>943424, 943431,<br>943432, 943470,<br>953021, 953036,<br>953080, 953087,<br>953115; Also used on<br><i>Model 81300, 81400</i><br>Series Type Nos.<br>0258, 0264, 0303,<br>943537, 943551,<br>943552, 943564,<br>943623, 943630,<br>943655, 943586,<br>943718, 943782,<br>943818, 943859,<br>943861, 943883,<br>943900, 943931,<br>943947, 943948,<br>943958, 943962,<br>943983, 943999,<br>953505. |
| <b>300</b> | <b>89966</b> | Muffler—Exhaust<br><b>Note:</b> <b>89945</b> Muffler<br>Used on <i>Model 80300, 80400</i> Series Type Nos. 0221, 0383, 0457, 0602, 0652, 943236, 953008, 953040, 953044; Also used on <i>Model 81300, 81400</i> Series Type Nos. 943907, 943931, 943947, 943983.<br><b>290910</b> Muffler—Exhaust<br>Used on <i>Model 81300</i> Series Type Nos. 0197, 0519, 943548, 943550, 943579, 943580.<br><b>292054</b> Muffler—Exhaust<br>Used on <i>Model 80300, 80400</i> Series Type Nos. 0162, 0165, 0181, 0268, 0293, 0320, 0334, 0374, 0392, 0549, 943031, 943114, 943115, 943133, 943143, 943144, 943148, 943175, 943188, 943216, 943264, 943271, 943368, 943381, 953023, 953038, 953049, 953052, 953113; Also used on <i>Model 81300, 81400</i> Series Type Nos. 0165, 0202, 0228, 0236, 0275, 0295, 943523, 943524, 943537, 943543, 943544, 943587, 943618, 943631, 943677, 943735, 943762, 943781, 943790, 943806, |            |              | Used on <i>Model 80300</i> Series Type No. 0390.<br><b>295905</b> Muffler—Exhaust<br>Used on <i>Model 80300, 80400</i> Series Type Nos. 0038, 0155, 0169, 0170, 0186, 0224, 0329, 0393, 0409, 0455, 0459, 0482, 0492, 0497, 0513, 0518, 0524, 0548, 0555, 0563, 0577, 0578, 0580, 0581, 0583, 0598, 0603, 0620, 943025, 943292, 943340, 943369, 943377, 953027, 953103; Also used on <i>Model 81300, 81400</i> Series Type Nos. 0180, 0181, 0206, 0243, 943623, 943624, 943690, 943709, 943780, 943785, 943816, 943817, 943922, 943926.<br><b>297326</b> Muffler—Exhaust<br>Used on <i>Model 81300, 81400</i> Series Type Nos. 943859, 943900, 943938, 943958, 943969, 943999, 953505. |          |          | <b>304</b><br><br><b>Note:</b> For Type Nos. not listed below, see Ref. No. 608.<br><b>220870</b> Housing—Blower (For Rope Starter)<br>Used on <i>Model 80300, 80400</i> Series Type Nos. 0060, 943045, 943121, 943127, 943139, 943182, 943190, 943236, 943275, 943301, 943341, 943394, 943403; Also used on <i>Model 81300, 81400</i> Series Type Nos. 0213, 943707, 943843, 943917, 943918, 943919.  |
|            |              |   | <b>303</b> | <b>91838</b> | Elbow—Exhaust (45° Street)<br><b>Note:</b> <b>91943</b> Elbow—Exhaust (90° Street)<br>Used on <i>Model 80300, 80400</i> Series Type Nos. 0072, 0180, 0209, 0212, 0252, 0264, 0267, 0305, 0317, 0324, 0365, 0376, 0378, 0390,   |          |          |  |

# 80300 to 80499 81300 to 81499

| REF. NO.    | PART NO.      | DESCRIPTION   | REF. NO.   | PART NO.      | DESCRIPTION   | REF. NO.   | PART NO.      | DESCRIPTION   |
|-------------|---------------|---|------------|---------------|---|------------|---------------|---|
|             |               | <b>294263</b> Housing—Blower<br>(For Rope Starter)<br>Used on <i>Model 80301, 80302, 80311, 80331, 80332, 80351, 80352, 80401, 80431, 81301, 81311, 81331, 81351, 81401, 81431, Series.</i>   |            |               | 943392, 943393, 943406, 943412, 943437, 943444, 943492, 953019, 953024, 953046, 953053, 953087; Also used on <i>Model 81300, 81400 Series Type Nos. 0150, 0152, 0188, 0197, 0206, 0238, 0305, 0317, 0326, 0327, 943548, 943549, 943550, 943551, 943552, 943579, 943580, 943598, 943621, 943623, 943632, 943637, 943660, 943718, 943889, 943899, 943900, 943911, 943912, 943968, 943994, 943997, 943999, 953507.</i> |            |               | <b>221146</b> Pulley—Rope Starter (5/8" hole)<br>Used on <i>Model 80300 Series Type Nos. 0492, 0528; Also used on Model 81300, 81400 Series Type Nos. 0273, 943627.</i>   |
| <b>304A</b> |               | Blower Housing and Brackets<br>(For Electric Starter)<br>Used on <i>Model 80303, 81303, 81353 Series.</i>   |            |               |   |            |               | <b>292233</b> Pulley—Rope Starter (1/2" hole in Pulley)<br>Used on <i>Model 80300 Series Type No. 943310; Also used on Model 81300 Series Type No. 943721.</i>  |
| <b>304B</b> |               | Housing—Blower<br>(For Wind-up Starter)<br>Used on <i>Model 80306, 80336, 80406, 81306, 81336, 81406, 81436 Series.</i>   |            |               |   | <b>328</b> | <b>221038</b> | Guard—Belt  |
|             |               |   |            |               |   | <b>329</b> | <b>93705</b>  | Screw—Belt Guard Mounting Sem   |
| <b>305</b>  | <b>93158</b>  | Screw—Blower Housing and Flywheel Guard Mounting  |            |               |   | <b>330</b> | <b>69932</b>  | Rope—Starter<br><b>Note:</b> <b>296512</b> Rope—Starter Used on Type No. 943373.  |
| <b>306</b>  | <b>220478</b> | Shield—Cylinder   |            |               |   | <b>331</b> | <b>62577</b>  | Washer—Flywheel (1/2" hole)<br><b>Note:</b> For Flywheel Washer with 5/8" hole—order No. 220865.  |
| <b>307</b>  | <b>93490</b>  | Screw—Cylinder Shield Mounting Sem  | <b>312</b> | <b>260404</b> | Spring—Brush  |            |               |   |
| <b>308</b>  | <b>220581</b> | Cover—Cylinder Head<br><b>Note:</b> When ordering Cover—Cyl. Head for Type Nos. listed below, order No. <b>220884</b> Stop Switch and No. <b>220581</b> Cover together.<br>Used on <i>Model 80300, 80400 Series Type Nos. 0180, 0188, 0196, 0205, 0212, 0218, 0231, 0246, 0261, 0263, 0275, 0289, 0366, 0436, 0460, 0487, 0519, 0525, 0534, 0557, 0565, 0589, 0591, 0594, 0597, 0600, 943102, 943105, 943136, 943149, 943164, 943181, 943195, 943204, 943212, 943213, 943217, 943255, 943314, 943328, 943348, 943349, 943371, 943389,</i> | <b>321</b> | <b>210711</b> | Pulley—Starter (Fits Crankshafts with 1/2-20 Thread)<br><b>Note:</b> For 5/8-18 Thread Crankshafts, use Pulley No. 210725.  | <b>332</b> | <b>91708</b>  | Nut—Flywheel (1/2-20 left hand thread)<br><b>Note:</b> For Flywheel Nut with 5/8-18 right hand thread—order No. 92284.  |
|             |               |   | <b>323</b> | <b>67228</b>  | Belt—Vee<br><b>Note:</b> <b>67038</b> Belt—Vee Used on engines before Serial No. 5905040.   | <b>333</b> | <b>298502</b> | Armature—Magneto (Used on and after Serial No. 6212310)<br><b>Note:</b> Armature for <i>Model 80432 Series Type No. 0434</i> is furnished by the equipment manufacturer—General Cable Co., 5600 W. 8th Ave., Westminster, Colorado 80030—their part No. 1E1110.<br><b>298274</b> Armature—Magneto<br><b>Uses:</b><br><b>66298</b> Bushing—Spark Plug Terminal |
|             |               |   | <b>324</b> | <b>220648</b> | Screen—Electric Starter Pulley  |            |               |   |
|             |               |   | <b>325</b> | <b>293959</b> | Pulley with Screen—Rope Starter (1/2" hole in Pulley)<br><b>Note:</b> For Rope Starter Pulley with Screen with 5/8" hole in Pulley—order No. 298731.<br><b>220547</b> Pulley—Rope Starter (1/2" hole)<br>Used on <i>Model 81300 Series Type No. 0275.</i>   |            |               |   |

| REF. NO.   | PART NO.      | DESCRIPTION   | REF. NO. | PART NO. | DESCRIPTION  | REF. NO.   | PART NO.      | DESCRIPTION  |
|------------|---------------|---|----------|----------|--|------------|---------------|--|
|            |               | <b>92704</b> Terminal—Spark Plug  |          |          | <b>294519</b> Cable—Ignition<br>Used on <i>Model 80300, 80400</i> Series Type<br>Nos. 943099, 943234, 943277, 943311, 943316, 943352, 943373, 943416; Also used on <i>Model 81300, 81400</i> Series Type<br>Nos. 943614, 943643, 943721, 943869, 943871.   |            |               | 943917, 943918, 943919, 943944, 943975.  |
|            |               | <b>298445</b> Shielding—Cable<br>Used on <i>Model 80400</i> Series Type Nos. 0277, 0344, 0383, 0390, 0396, 0400, 0443.  |          |          | <b>294577</b> Cable—Ignition<br>Used on <i>Model 80300, 80400</i> Series Type<br>Nos. 943024, 943045, 943046, 943047, 943053, 943065, 943071, 943083, 943100, 943102, 943103, 943116, 943121, 943140, 943145, 943153, 943170, 943190, 943209, 943222, 943227, 943228, 943231, 943236, 943241, 943250, 943251, 943252, 943270, 943272, 943275, 943296, 943301, 943315, 943318, 943353, 943365, 943372, 943378, 943398, 943402, 943410, 943443, 943460, 943481, 953016; Also used on <i>Model 81300, 81400</i> Series Type<br>Nos. 943538, 943540, 943574, 943581, 943582, 943592, 943646, 943659, 943660, 943668, 943687, 943707, 943723, 943739, 943740, 943760, 943764, 943777, 943788, 943793, 943809, 943811, 943822, 943843, 943901, 943908, | <b>337</b> | <b>298809</b> | Plug—Spark (with Gasket) (1-1/2" High—37-42 M.M.)<br><b>Note:</b> <b>29693</b> Plug—Spark (with Gasket) (2" High—51 M.M.)<br><b>291954</b> Plug—Spark (with gasket)<br>Used on <i>Model 80400</i> Series Type Nos. 0344, 0383, 0390, 0396, 0400, 953064, 953079.<br><b>293918</b> Plug—Spark (with gasket) (Resistor Type)<br><b>392588</b> Plug—Spark (with gasket) (Resistor Type) 2" High |
| <b>33A</b> | <b>291617</b> | Armature—Magneto (Used before Serial No. 6212310)<br><b>Note:</b> <b>295680</b> Armature—Magneto<br><b>Uses:</b><br><b>66298</b> Bushing—Spark Plug Terminal<br><b>92704</b> Terminal—Spark Plug<br><b>295179</b> Shielding—Cable<br>Used on all Type Nos. 953064, 953079.<br><b>295915</b> Armature—Magneto (Double Ignition)<br>Used on all Type Nos. 943900, 943999. |          |          |  | <b>340</b> | <b>26018</b>  | Spring—Breaker Arm   |
|            |               |   |          |          |  | <b>341</b> | <b>93381</b>  | Screw—Breaker Arm Mounting Sem   |
|            |               |   |          |          |  | <b>342</b> | <b>65704</b>  | Plunger—Breaker Point  |
|            |               |   |          |          |  | <b>344</b> | <b>93042</b>  | Screw—Condenser Clamp Mounting   |
|            |               |   |          |          |  | <b>345</b> | <b>220366</b> | Cover—Breaker Point and Condenser  |
|            |               |   |          |          |  | <b>346</b> | <b>93705</b>  | Screw—Dust Cover Mounting Sem  |
|            |               |   |          |          |  | <b>347</b> | <b>220884</b> | Switch—Stop (For 1-1/2" High—37-42 M.M. Spark Plug)<br><b>Note:</b> <b>221808</b> Switch—Stop (For 2" High—51 M.M. Spark Plug)<br><b>220582</b> Switch—Stop<br>Used on Type No. 953004.  |
| <b>34</b>  | <b>93381</b>  | Screw—Armature Mtg. Sem   |          |          |  |            |               |  |
| <b>35</b>  | <b>93381</b>  | Screw—Armature Mtg. Sem   |          |          |  |            |               |  |
| <b>36</b>  | <b>292149</b> | Cable—Ignition (Std.)<br><b>Note:</b> This group of Ignition Cables, including No. 292149, is used on engines before Serial No. 6212310 when cable is not molded into the coil.   |          |          |  |            |               |  |

**80300 to 80499**  
**81300 to 81499**

| REF. NO. | PART NO. | DESCRIPTION  | REF. NO. | PART NO. | DESCRIPTION   | REF. NO. | PART NO. | DESCRIPTION  |
|----------|----------|--|----------|----------|---|----------|----------|--|
| 347A     | 298926   | Switch—Stop<br>(For 1-1/2" High—<br>37-42 M.M. Spark<br>Plug)<br><b>Note:</b> 293739 Switch—Stop<br>(For 2" High—51 M.M.<br>Spark Plug)<br>Used on <i>Model 80300,</i><br><i>80400 Series Type Nos.</i><br>0630, 0631, 0632,<br>943142, 943256,<br>943303, 943396,<br>943471, 943477,<br>953027, 953075,<br>953092; Also used on<br><i>Model 81300, 81400</i><br>Series Type Nos.<br>943666, 943685,<br>943690, 943709,<br>943780, 943835,<br>943903, 943904,<br>943922, 943984. | 357      | 91539    | Key—3/16" Square<br><b>Note:</b> 93065 Key—Woodruff<br>No. 6<br>Used on <i>Model 80300</i><br>Series Type Nos.<br>0477,<br>943370, 943371.  |          |          | 943138, 943224,<br>943285, 943287,<br>943295, 943308,<br>943310, 943342,<br>943390, 943432,<br>943486, 953040,<br>953056, 953081; Also<br>used on <i>Model 81300,</i><br><i>81400 Series Type</i><br>Nos. 0179, 0204,<br>0211, 0235, 0241,<br>0266, 0271, 0289,<br>0306, 0308, 0309,<br>943542, 943549,<br>943573, 943601,<br>943641, 943642,<br>943693, 943726,<br>943739, 943765,<br>943777, 943788,<br>943792, 943809,<br>943822, 943838,<br>943885, 943893,<br>943915. |
| 348      | 67118    | Block—Stop Switch  |          |          |   | 383      | 89838    | Wrench—Spark Plug  |
| 349      | 221077   | Blade—Switch   |          |          | <b>Note:</b> 299061 Ignition Kit<br><b>Includes:</b><br>294628 Point Set<br>65704 Plunger<br>61760 Key—Flywheel   | 384      | 62899    | Washer—Thermostat  |
| 350      | 221078   | Clamp—Switch Blade   |          |          |   | 385      | 93110    | Screw—Fuel Pump<br>Hole Cover and Spacer<br>Mounting   |
| 351      | 93218    | Screw—Stop Switch  |          |          |   | 386      | 27314    | Gasket—Cover and<br>Fuel Pump Mounting   |
| 352      | 66068    | Washer—Insulating  |          |          |   | 387      | 26588    | Spring—Fuel Pump<br>Diaphragm  |
| 353      | 92791    | Washer—Lock—<br>Shakeproof   |          |          |   | 388      | 22740    | Screen—Fuel Pump<br>Filter   |
| 354      | 90576    | Nut—Hex.—8-32  | 378      | †22032   | Washer—Needle Valve<br>Packing  | 389      | 290622   | Diaphragm—Fuel Pump  |
| 356      | 391115   | Wire—Ground<br><b>Note:</b> 299500 Wire—Ground<br>Used on <i>Model 80300</i><br>Series Type Nos.<br>0220, 0301, 0336,<br>0345, 0398, 0404,<br>0432, 0622, 0658,<br>0694,<br>943470, 943495,<br>953074, 953083; Also<br>used on <i>Model 81300</i><br>Series Type Nos.<br>0195, 0231, 0243,<br>0296, 0298,<br>943600, 943602,<br>943603, 943604,<br>943605, 943616,<br>943661, 943702,<br>943878, 943948,<br>943962, 943966,<br>943988.   | 379      | 22984    | Cover—Fuel Pump Hole  | 390      | 290623   | Valve—Fuel Pump  |
|          |          |  | 380      | 62199    | Washer—Plain  | 391      | 66204    | Gasket—Fuel Pump<br>Valve  |
|          |          |  | 381      | 93294    | Screw—Sem   | 445      | 392308   | Cartridge—Air Cleaner  |
|          |          |  | 382      | 93158    | Screw—Sem<br><b>Note:</b> 92636 Screw—Cap,<br>Hex. Hd.—1/4-20 x 2"<br>90832 Washer—Lock—<br>1/4 x 3/32 x 5/64"<br>230352 Spacer<br>Used on <i>Model 80300,</i><br><i>80400 Series Type</i><br>Nos. 0206, 0267,<br>0270, 0280, 0291,<br>0305, 0331, 0360,<br>0426, 0433, 0476,<br>0489, 0515, 0526,<br>0532, 0569, 0606,<br>0608, 0609, 0653,<br>0673, 0680,<br>943035, 943039,<br>943040, 943041,<br>943046, 943052,<br>943109, 943135, | 446      | 222844   | Base—Air Cleaner   |
|          |          |  |          |          |   | 455      | 296455   | Cup, Hub and Spring<br>Assembly  |
|          |          |  |          |          |   | 456      | 221222   | Plate—Retainer   |
|          |          |  |          |          |   | 458      | 296305   | Handle Assy.—<br>Cranking  |
|          |          |  |          |          |   | 459      | 221332   | Pawl—Ratchet   |
|          |          |  |          |          |   | 460      | 93272    | Retainer—Ratchet Pawl  |
|          |          |  |          |          |   | 461      | 93231    | Screw—Handle Mtg.  |
|          |          |  |          |          |   | 462      | 221237   | Washer—Handle Mtg.   |
|          |          |  |          |          |   | 463      | 296445   | Holder Assy.—<br>Flywheel  |
|          |          |  |          |          |   | 464      | 93291    | Rivet—Holder Assy.<br>Mounting   |

| REF. NO. | PART NO.     | DESCRIPTION  | REF. NO. | PART NO.     | DESCRIPTION  | REF. NO. | PART NO. | DESCRIPTION                               |
|----------|--------------|--|----------|--------------|--|----------|----------|---|
| 465      | 221226       | Washer—Holder Assy. Mounting   | 529      | 66578        | Grommet—Breather Tube  |          |          | 294337 Starter Assy.—Rewind               |
| 466      | 93272        | Retainer—Holder Control Knob   | 530      | 296304       | Housing Assembly—Pawl  |          |          | (12 o'clock)                              |
| 467      | 211017       | Knob—Control   | 531      | 230615       | Ratchet—Top Starter  |          |          | Used on Model 80300,                      |
| 467A     | 212293       | Knob—Air Cleaner   | 532      | 260500       | Washer—Spring  |          |          | 80400 Series Type                         |
| 506      | 90200        | Screw—Machine, Fil. Hd.—8-32 x 1/2"  | 533      | 67478        | Knob—Stop  |          |          | Nos. 0015, 0016,                          |
| 507      | 66895        | Insulator—Terminal   | 534      | 93323        | Screw—Air Cleaner (order separately)                                   |          |          | 0024, 0035, 0037,                         |
|          | <b>Note:</b> | 66935 Insulator—Term. Used on Model 80400 Series Type Nos. 953064, 953079.                                       | 535      | 27987        | Element—Air Cleaner  |          |          | 0038, 0048, 0049,                         |
|          |              |  | 535A     | 270979       | Element—Air Cleaner  |          |          | 0155, 0159, 0161,                         |
|          |              |  | 536      | 296766       | Cleaner Assembly—Air   |          |          | 0166, 0171, 0208,                         |
| 508      | 93294        | Screw—Blower Housing Mounting Sem  | 537      | 27994        | Gasket—Air Cleaner   |          |          | 0233, 0271, 0309,                         |
| 513      | 296567       | Clutch Assembly—Electric Starter   |          | <b>Note:</b> | 27666 Gasket—Air Cleaner (Ref. No. 602)                                |          |          | 0311, 0336, 0355,                         |
| 515      | 260537       | Spring—Ratchet Pawl  |          |              | Used on engines with vented breather and No. 296766 Air Cleaner.       |          |          | 0374, 0395, 0421,                         |
| 516      | 260374       | Spring—Connector   |          |              | (Ref. No. 536)   |          |          | 0432, 0438, 0439,                         |
| 521      | 297973       | Shielding—Ignition Cable   | 549      | 271118       | Washer—Air Cleaner   |          |          | 0444, 0457, 0462,                         |
|          |              | Used on and after Serial No. 6212310 on cables molded into the ignition coil.                                    | 600      | 270003       | Spacer—Air Cleaner Mounting  |          |          | 0474, 0480, 0481,                         |
| 523      | 69345        | Cap—Oil Filler   | 601      | 93053        | Clip—Fuel Pipe (2)   |          |          | 0484, 0488, 0496,                         |
|          | <b>Note:</b> | 295940 Cap—Oil Filler (with Dip Stick) Used on Model 80400 Series Type Nos. 0434, 0443, 0520.                    | 601A     | 93807        | Clip—Breather Tube   |          |          | 0501, 0507, 0514,                         |
|          |              | 297357 Cap—Oil Filler (with Dip Stick) Used on Model 80300, 80400 Series Type Nos. 0284, 0285, 2015, 2035, 2037. | 602      | 27666        | Gasket—Air Cleaner   |          |          | 0517, 0522, 0523,                         |
|          |              | 297357 Cap—Oil Filler (with Dip Stick)   |          |              | Used with vented breather.   |          |          | 0531, 0537, 0543,                         |
|          |              | 393526 Cap—Oil Filler (with Dip Stick) (Used before Code No. 81120900)   | 603      | 393766       | Dual Element Air Cleaner Kit   |          |          | 0548, 0549, 0553,                         |
|          |              | Used on Model 80300 Series Type Nos. 2048, 2049.   |          |              | Replaced Air Cleaner Assy. (with mtg. stud) Used with vented breather. |          |          | 0558, 0559, 0562,                         |
| 524      | 65304        | Gasket—Oil Filler Cap  | 604      | 294864       | Cover and Filter—Air Cleaner   |          |          | 0563, 0566, 0572,                         |
| 525      | 91258        | Nipple—Oil Filler  |          |              | (with mounting stud) Used with vented breather.                        |          |          | 0574, 0576, 0578,                         |
|          | <b>Note:</b> | Use 394884 Adaptor—Oil Filler with Nipple  | 608      | 294259       | Starter Assy.—Rewind (10 o'clock)                                      |          |          | 0579, 0581, 0582,                         |
| 527      | 220754       | Support—Breather Tube  |          | <b>Note:</b> | 294282 Starter Assy.—Rewind (4 o'clock)                                |          |          | 0584, 0586, 0599,                         |
| 528      | 230346       | Tube—Breather  |          |              | Used on Model 80300 Series Type Nos. 943028, 943175, 953028.           |          |          | 0601, 0603, 0604,                         |
|          |              |  |          |              |  |          |          | 0605, 0607, 0612,                         |
|          |              |  |          |              |  |          |          | 0622, 0633, 0634,                         |
|          |              |  |          |              |  |          |          | 0636, 0637, 0638,                         |
|          |              |  |          |              |  |          |          | 0655, 0658, 0665,                         |
|          |              |  |          |              |  |          |          | 0667, 0668, 0669,                         |
|          |              |  |          |              |  |          |          | 2048,                                     |
|          |              |  |          |              |  |          |          | 943129, 943166,                           |
|          |              |  |          |              |  |          |          | 943188, 943321,                           |
|          |              |  |          |              |  |          |          | 943337, 943343,                           |
|          |              |  |          |              |  |          |          | 943422, 953005,                           |
|          |              |  |          |              |  |          |          | 953027, 953031,                           |
|          |              |  |          |              |  |          |          | 953040, 953048,                           |
|          |              |  |          |              |  |          |          | 953050, 953054,                           |
|          |              |  |          |              |  |          |          | 953085, 953101; Also used on Model 81300, |
|          |              |  |          |              |  |          |          | 81400 Series Type                         |
|          |              |  |          |              |  |          |          | Nos. 0157, 0164,                          |
|          |              |  |          |              |  |          |          | 0168, 0174, 0225,                         |
|          |              |  |          |              |  |          |          | 0243, 0251, 0255,                         |
|          |              |  |          |              |  |          |          | 0256, 0258, 0267,                         |
|          |              |  |          |              |  |          |          | 0279, 0295, 0296,                         |
|          |              |  |          |              |  |          |          | 0298, 0323, 0324,                         |
|          |              |  |          |              |  |          |          | 943528, 943571,                           |
|          |              |  |          |              |  |          |          | 943619, 943656,                           |
|          |              |  |          |              |  |          |          | 943701, 943703,                           |
|          |              |  |          |              |  |          |          | 943706, 943728,                           |

**80300 to 80499**

**81300 to 81499**

| REF. NO. | PART NO.   | DESCRIPTION | REF. NO.   | PART NO.      | DESCRIPTION   | REF. NO.    | PART NO.      | DESCRIPTION   |
|----------|--|-------------|------------|---------------|---|-------------|---------------|---|
|          | 943734, 943736,<br>943753, 943780,<br>943787, 943800,<br>943867, 943902,<br>943906, 943909,<br>943922, 943971,<br>943972, 943981,<br>943986, 953505.<br><b>294639</b> Starter Assy.—<br>Rewind (10 o'clock)<br>Used on <i>Model 80300,</i><br><i>80400</i> Series Type<br>Nos. 0243, 0315,<br>0385,<br>943046, 943365,<br>943481, 953001,<br>953007, 953079; Also<br>used on <i>Model 81300,</i><br><i>81400</i> Series Type<br>Nos. 0211, 0248,<br>943687, 943739,<br>943788, 943819,<br>943944.<br><b>295038</b> Starter Assy.—<br>Rewind (6 o'clock)<br>Used on <i>Model 80300</i><br>Series Type Nos.<br>0365, 0378,<br>953025, 953096; Also |             |            |               | used on <i>Model 81300</i><br>Series Type Nos.<br>943688.<br><b>295816</b> Starter Assy.—<br>Rewind (3 o'clock)<br>Used on <i>Model 80300,</i><br><i>80400</i> Series Type<br>Nos. 0178, 0293,<br>0340, 0346, 0347,<br>0454, 0573, 0652,<br>0666,<br>943357, 943428,<br>943438, 943465; Also<br>used on <i>Model 81300,</i><br><i>81400</i> Series Type<br>Nos. 943779,<br>943891, 943966.<br><b>296894</b> Starter Assy.—<br>Rewind (1:30 o'clock)<br>Used on <i>Model 80300,</i><br><i>80400</i> Series Type<br>Nos. 0411, 0520,<br>0521, 0569, 0595,<br>0657;<br>Also used on <i>Model</i><br><i>81300, 81400</i> Series<br>Type Nos. 0300,<br>943978, 943982. |             |               |   |
|          |  |             | <b>621</b> | <b>297472</b> | Switch—Stop   | <b>635</b>  | <b>66538</b>  | Elbow—Spark Plug  |
|          |  |             |            |               |   | <b>642</b>  | <b>222626</b> | Cover—Air Cleaner   |
|          |  |             |            |               |   | <b>643</b>  | <b>222845</b> | Cup—Air Cleaner   |
|          |  |             |            |               |   | <b>643A</b> | <b>280374</b> | Cup—Air Cleaner   |
|          |  |             |            |               |   | <b>645</b>  | <b>23513</b>  | Bushing—Plunger   |
|          |  |             |            |               |   | <b>665</b>  | <b>298858</b> | Oil Minder  |
|          |  |             |            |               |   | <b>676</b>  | <b>393760</b> | Deflector—Exhaust   |
|          |  |             |            |               |   |             | <b>Note:</b>  | For Spark Arrestor<br>Assembly, use No.<br>392190 on Type Nos.<br>0633, 0667, 2048. |
|          |  |             |            |               |   | <b>682</b>  | <b>211516</b> | Shield—Starter Clutch   |
|          |  |             |            |               |   | <b>822</b>  | <b>296732</b> | Starter Assy.—Wind-up   |
|          |  |             |            |               |   | <b>851</b>  | <b>221798</b> | Terminal—Ignition<br>Cable  |
|          |  |             |            |               |   | <b>852</b>  | <b>392368</b> | Cleaner-Group—Air   |
|          |  |             |            |               |   |             | <b>Note:</b>  | <b>393766</b> Dual Element<br>Air Cleaner Kit.                                      |
|          |  |             |            |               |   | <b>854</b>  | <b>392884</b> | Bracket Assembly—<br>Stop Switch  |
|          |  |             |            |               |   | <b>869</b>  | <b>210879</b> | Seat—Intake Valve<br>(Standard)   |
|          |  |             |            |               |   |             | <b>Note:</b>  | For Options see<br>Repair Manual.   |
|          |  |             |            |               |   | <b>870</b>  | <b>211291</b> | Seat—Exhaust Valve<br>(Standard)  |
|          |  |             |            |               |   |             | <b>Note:</b>  | For Options see<br>Repair Manual.   |
|          |  |             |            |               |   | <b>871</b>  | <b>63709</b>  | Guide—Exhaust Valve   |