

80200 to 80299

Illustrated Parts List

Model Series

80200 to 80299

TYPE NUMBERS
1506 through 1549
1611
1619 through 1897
2100 through 2126

TO FIND THE CORRECT NUMBER OF THE PART YOU NEED: FOLLOW THE INSTRUCTIONS BELOW

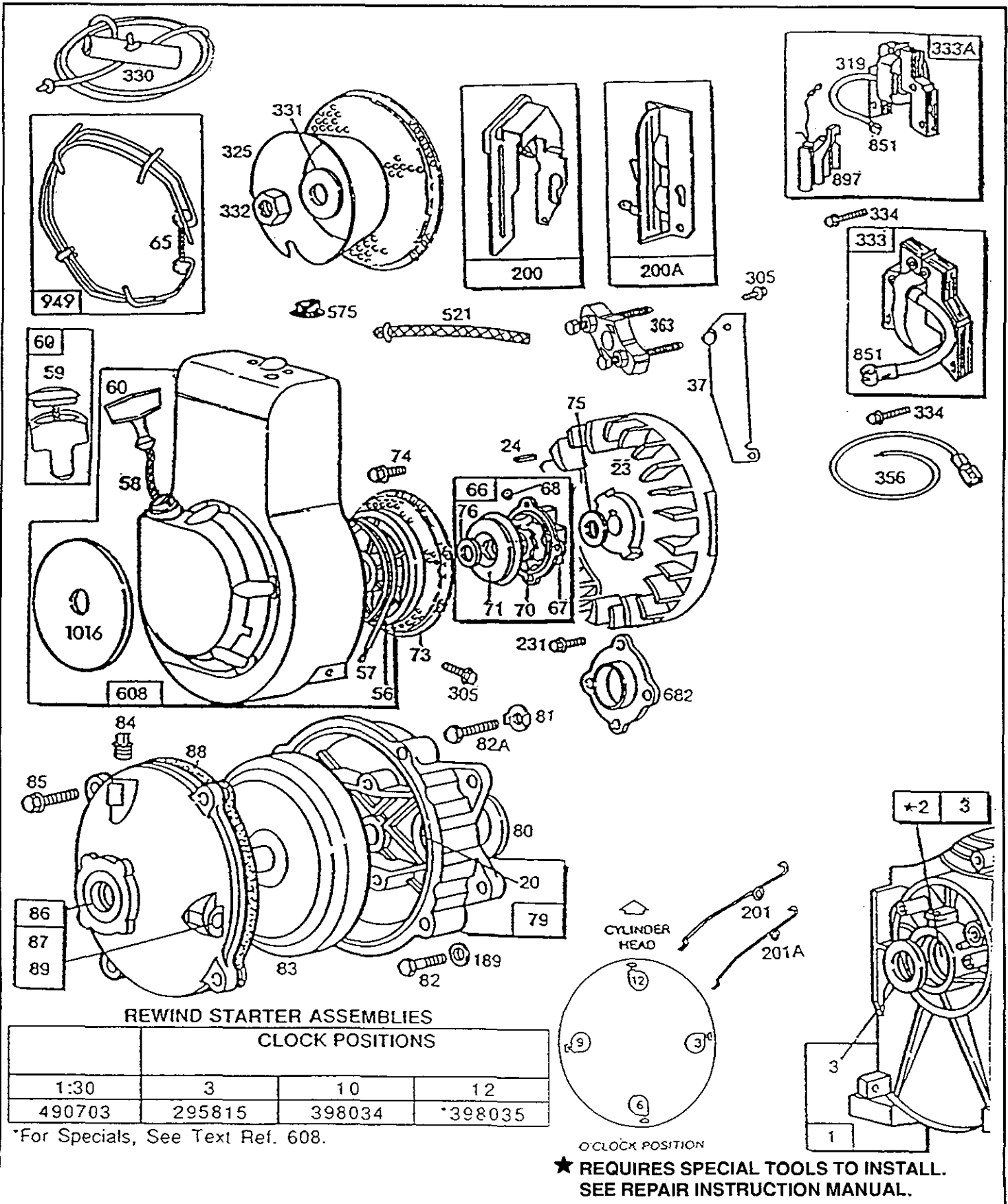
- A. Refer to Engine Model, Type and Code Number that is stamped on the blower housing of engine. Engine type numbers such as 0123 01 are listed only as 0123 in most instances. The two digits (01 or 02, etc.) to the right of the space may be required for more accurate parts identification in some instances. Select the Illustrated Parts List covering the correct Model Series and Type Number.
- B. Refer to the Illustrations and compare the original part with Illustration. The number next to the illustration is the Reference Number. Assemblies include all parts shown in frames. All parts shown in assembly frames having individual reference numbers can be purchased separately.
- C. After the Reference Number has been identified, refer to the Numerical text, where Reference and Primary Part Number are listed. **THE PRIMARY PART IS USED ON ALL TYPE NUMBERS EXCEPT THOSE TYPE NUMBERS UNDER "NOTE."**
- D. If a "Note" appears below the Primary Part Number, it means that this part differs from the Primary Part for certain types. If your Type number is listed under "Note," order the part referred to at the "Note."
- E. If your Engine Type Number does not appear after any part number listed under "Note," use the Primary Part Number.
- F. For Engine Type Numbers not covered by this book, check other Parts Lists having the same engine model or contact your source of supply.

PRINTED IN U.S.A.

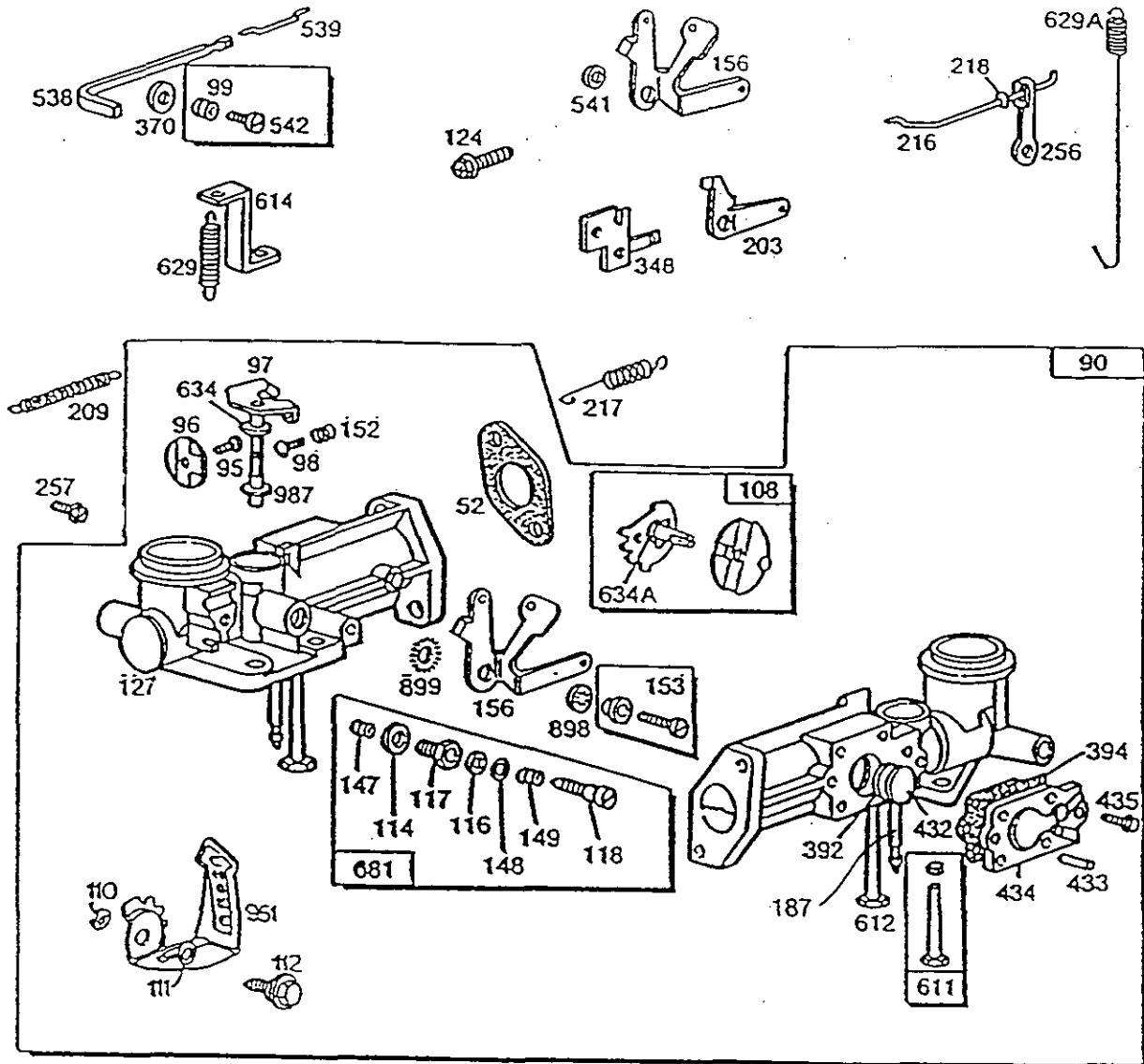
COPYRIGHT©

BRIGGS & STRATTON

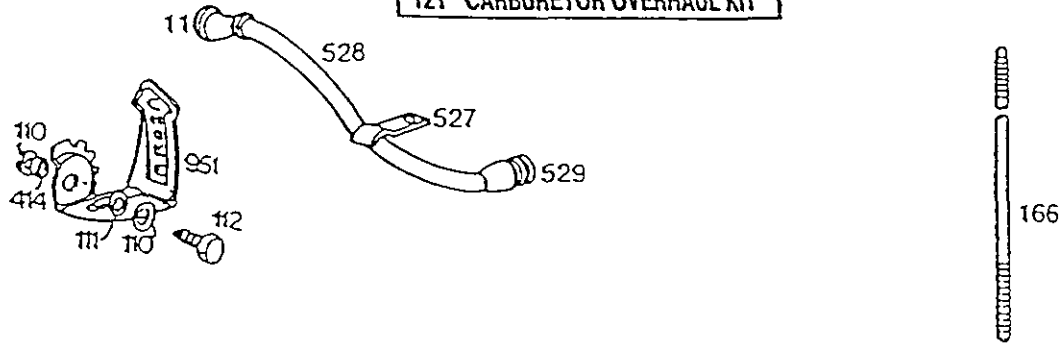
®



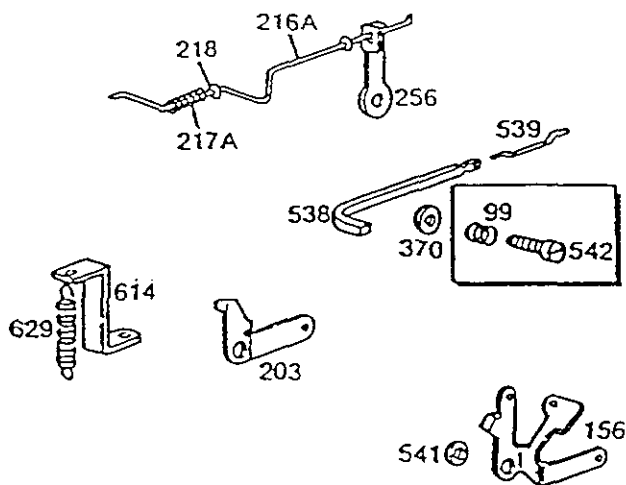
80200 to 80299



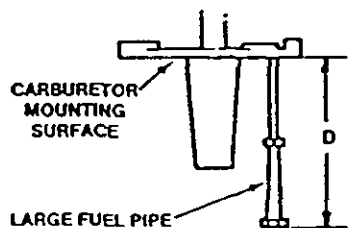
121 CARBURETOR OVERHAUL KIT



121 CARBURETOR OVERHAUL KIT

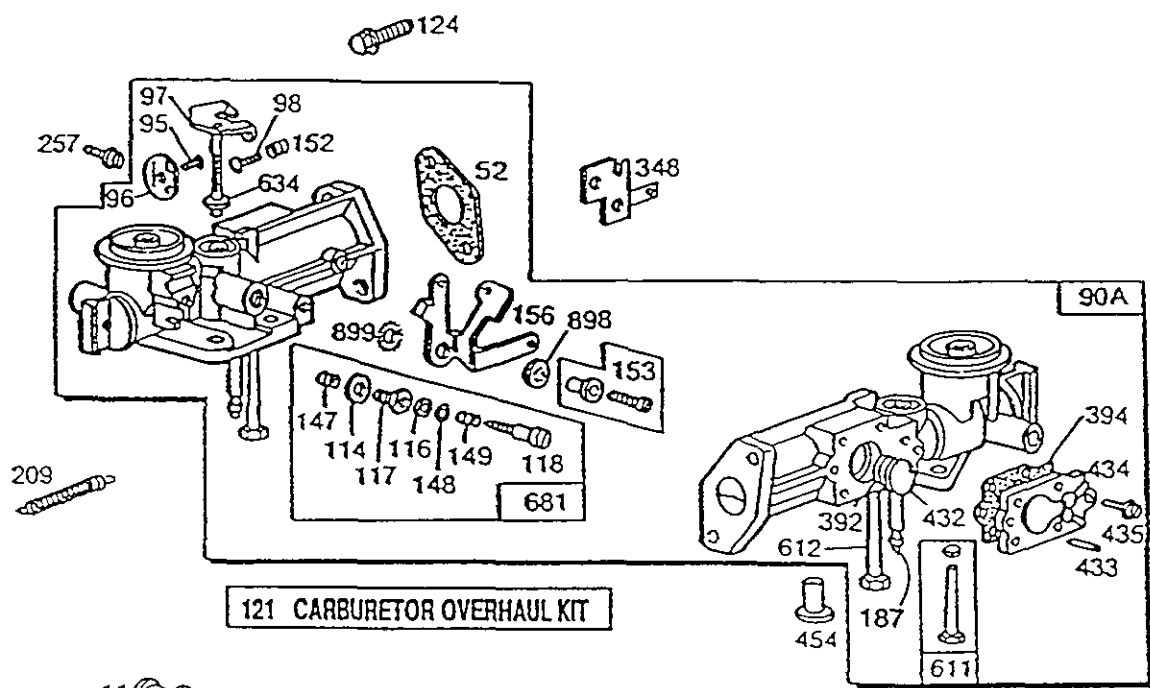


To replace carburetor assembly, determine fuel tank capacity as shown



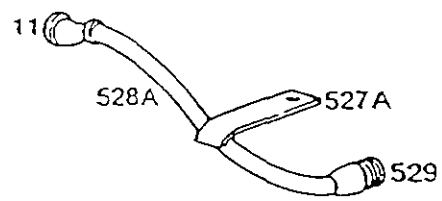
FUEL TANK CAPACITY (QUARTS)	1	2	3
D (INCHES)	2-5/16	4-1/4	4-7/8

D = Fuel Pipe Length (Approx.)

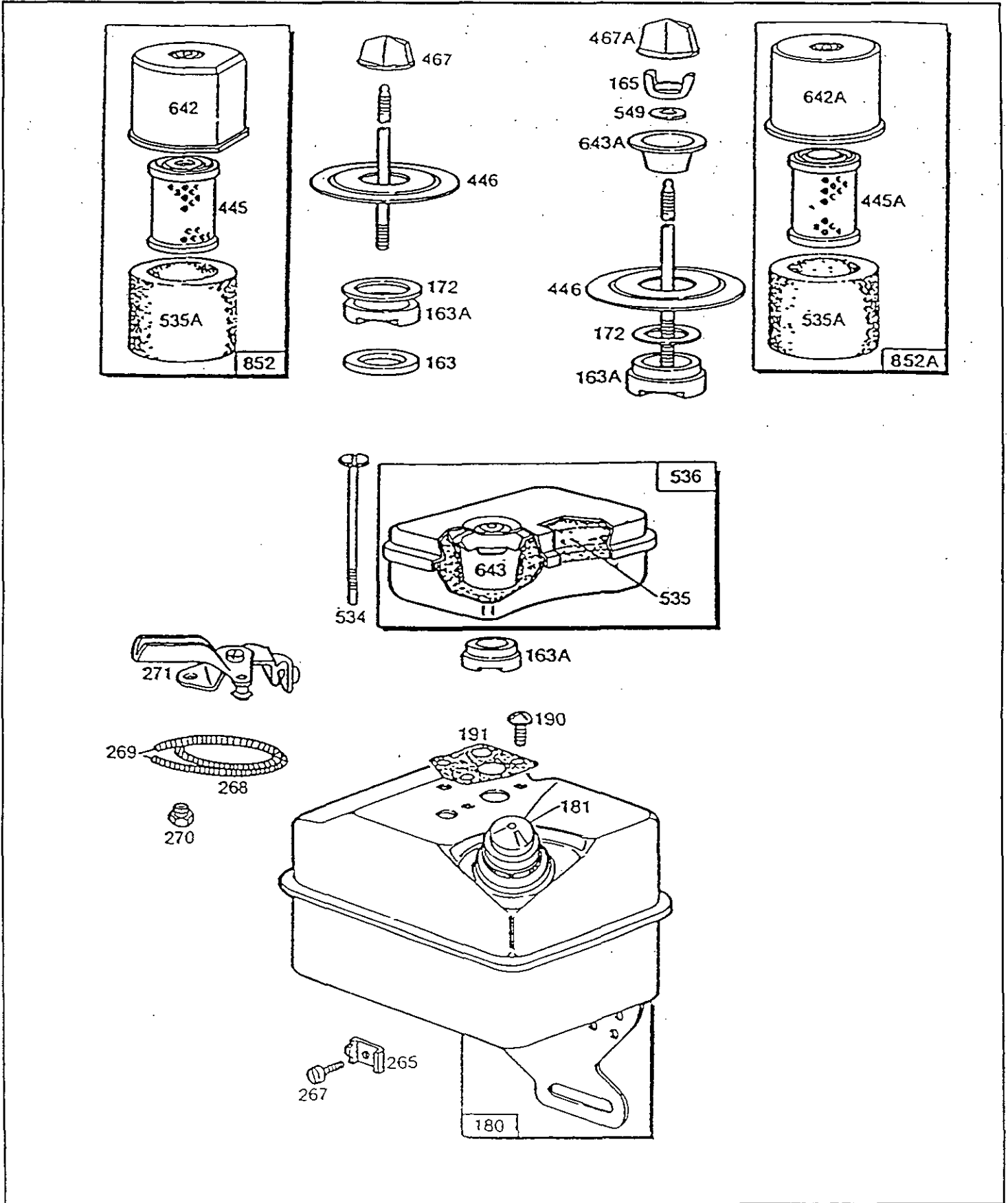


121 CARBURETOR OVERHAUL KIT

121 CARBURETOR OVERHAUL KIT



80200 to 80299



8099-6

Assemblies include all parts shown in frames.

102

REF. NO.	PART NO.	DESCRIPTION	REF. NO.	PART NO.	DESCRIPTION	REF. NO.	PART NO.	DESCRIPTION
1	395879	Cylinder Assembly		1673, 1684, 1690,			493633	Crankshaft
2	293708	Bushing-Cylinder (Plain)		1713, 1750, 1810, 1821, 1833, 1846.				Used on Type Nos. 1535, 1619, 1625, 1629, 1631, 1632, 1653, 1658, 1660, 1662, 1663, 1667, 1668, 1689, 1697, 1700, 1703, 1711, 1719, 1728, 1729, 1738, 1741, 1748, 1754, 1755, 1760, 1771, 1773, 1776, 1784, 1792, 1799, 1800, 1806, 1807, 1815, 1819, 1828, 1829, 1834, 1847, 1852, 1856, 1870, 1872, 1887, 2100, 2115, 2120, 2122.
		Note: Requires Special Tools For Installation.		260113	Crankshaft			493767
3	299819	Seal-Oil		Used on Type No. 1787.				Used on Type Nos. 1517, 1518, 1637, 1640, 1647, 1649, 1651, 1664, 1675, 1676, 1677, 1678, 1680, 1694, 1702, 1716, 1725, 1731, 1732, 1735, 1740, 1743, 1758, 1763, 1765, 1768, 1779, 1780, 1782, 1790, 1809, 1811, 1820, 1825, 1831, 1838, 1855, 1858, 1860, 1865, 1868, 1875, 1879, 1892, 1896, 1897, 2112, 2118, 2119, 2126.
5	210812	Head-Cylinder		397256	Crankshaft			493849
6	22963	Washer		Used on Type Nos. 1539, 1801, 1817.				Used on Type Nos. 1540, 1641, 1648, 1657, 1688, 1707, 1733, 1737, 1802, 1859, 1883, 2103.
7	*272167	Gasket-Cylinder Head		399010	Crankshaft			494033
8	294178	Breather-Valve Chamber		Used on Type Nos. 1638, 1772, 1775, 1824, 1830, 1886, 1888, 2121.				Used on Type No. 1851.
9	*27549	Gasket-Valve Cover		492095	Crankshaft			Used on Type No. 1523, 1777, 1794, 1803, 2106.
10	94688	Screw-Valve Cover Mounting Sem		Used on Type Nos. 1536, 1541, 1623, 1627, 1630, 1635, 1642, 1650, 1656, 1665, 1679, 1683, 1705, 1706, 1710, 1723, 1726, 1745, 1752, 1756, 1764, 1766, 1769, 1774, 1781, 1788, 1796, 1797, 1812, 1823, 1826, 1836, 1839, 1841, 1842, 1866, 1871, 1881, 2102, 2108, 2110, 2117.				
11	66578	Grommet-Breather Tube		492881	Crankshaft			
12	*270833	Gasket-Crankcase- (.015" Thick Standard)		Used on Type Nos. 1708, 1739, 1818, 1853, 1863, 2123.				
	*270895	Gasket-Crankcase (.005" Thick)		493409	Crankshaft			
	*270896	Gasket-Crankcase (.009" Thick)		Used on Type Nos. 1549, 1626, 1634, 1655, 1666, 1674, 1693, 1727, 1749, 1751, 1753, 1759, 1804, 1822, 1849, 1850, 1867, 1873.				
13	94547	Screw-Cylinder Head		493599	Crankshaft			
		Note: 93583 Stud-Cyl. Head		Used on Type No. 1670.				
		22963 Washer		493619	Crankshaft			
		Used on Type Nos. 1647, 1648, 1658, 1659, 1662, 1663, 1681, 1683, 1702, 1710, 1715, 1723, 1733, 1748, 1751, 1757, 1766, 1771, 1805, 1822, 1826, 1868, 1874, 1875, 1876, 1883, 1885, 1890, 2103, 2104, 2105, 2115, 2126.		Used on Type Nos. 1523, 1777, 1794, 1803, 2106.				
15	91249	Plug-Pipe, 1/4" Std., Square Head				17	99158	Bearing-Ball
		Note: 93448 Plug-Oil Drain (Hex. Socket Head)						
16	492880	Crankshaft						
		Note: To Replace Crankshaft Gear Pin, Order Part No. 230978. Used Only on Crank- Shaft With Loose Gear.						
		260110 Crankshaft						
		Used on Type Nos. 1538, 1621, 1624, 1628, 1654, 1669,						

* Included in Gasket Set-
Part No. 397144.

● Included in Carburetor Overhaul Kit-
Part No. 494624.

80200 to 80299

REF. NO.	PART NO.	DESCRIPTION	REF. NO.	PART NO.	DESCRIPTION	REF. NO.	PART NO.	DESCRIPTION
18	394820	Cover Assembly-Crankcase Used on Model 80201, 80202, 80203, 80206 Series Engines.		393812	Seal-Oil Used on Model 80231, 80232, 80233, 80236 Series Engines.	27	26026	Lock-Piston Pin
	394909	Cover Assembly-Crankcase Used on Model 80211, 80212, 80251, 80252, 80253, 80256 Series Engines.	21	66768	Plug-Oil Filler	28	298909	Pin Assembly-Piston (Standard)
	395259	Cover Assembly-Crankcase Used on Model 80231, 80232, 80233, 80236 Series Engines.	22	93032	Screw-Crankcase Cover Mounting Sem Note: 92747 Screw-Crkcase Mounting Sem Use in Two (2) Top Holes to Mount Cover on Model 80211, 80212, 80251, 80252, 80253, 80256 Series Engines.		298908	Pin Assembly-Piston (.005" O.S.)
		Note: 394879 Cover Assy.-Crankcase Used on Type Nos. 1646, 1704, 1736, 1772.		93656	Stud.	29	294367	Rod Assy.-Connecting Note: For Connecting Rod With .020" Undersize Crankpin Bore-Order Part No. 296079.
19	293708	Bushing-Crankcase Cover (Plain) Note: 220538 Bushing-Crankcase Cover (Plain) Used on Model 80211, 80212, 80251, 80252, 80253, 80256 Series Engines. Bushings Require Special Tools For Installation.		90832	Washer-Lock Used on Type Nos. 1638, 1661, 1672, 1695, 1724, 1744, 1758, 1761, 1772, 1791, 1793, 1827, 1830, 1840, 1854, 1870, 1876, 1878, 1880, 1881, 1888, 1894.	30	220670	Dipper-Connecting Rod
			23	296884	Flywheel-Magneto Note: 395653 Flywheel-Magneto Used on Type Nos. 1683, 1881.	31	222282	Washer-Connecting Rod
20	299819	Seal-Oil Note: 391484 Seal-Oil For Auxiliary P.T.O. Shaft Used on Type Nos. 1646, 1704, 1736, 1772. 392838 Oil Seal and Spacer Used on Model 80211, 80212, 80251, 80252, 80253, 80256 Series Engines. 392986 Oil Seal and Spacer Used on Type No. 1805.	24	222698	Key-Flywheel	32	94404	Screw-Connecting Rod
			25	295587	Piston Assembly (Std.)	33	296676	Valve-Exhaust Note: 260442 Valve-Exhaust (With Hole in Stem) Used on Type Nos. 1535, 1536, 1537, 1538, 1539, 1540, 1549, 1650, 1670, 1752, 1803, 1841, 1866, 1867, 2120. 260443 Valve-Exhaust (With Hole in Stem) (Cobalite™) Used on Type Nos. 1653, 1797, 1812, 1842.
				295588	Piston Assembly (.010" O.S.)	34	296677	Valve-Intake
				295589	Piston Assembly (.020" O.S.)	35	260552	Spring-Valve Note: 26826 Spring-Exhaust Valve Used on Type Nos. 1535, 1536, 1537, 1538, 1539, 1540, 1549, 1650, 1653, 1670, 1752, 1797, 1803, 1812, 1841, 1842, 1866, 1867, 2120.
				295590	Piston Assembly (.030" O.S.)	37	220971	Guard-Flywheel
					PISTON RING SETS: Note: For Chrome Piston Ring Set (Standard Size) Order Part No. 297201.	40	93312	Retainer-Valve Spring Note: 292259 Rotocap-Exhaust Valve 230126 Pin-Rotocap Exhaust Valve Retainer 230127 Retainer-Exhaust Valve Rotocap Used on Type Nos. 1535, 1536, 1537,
			26	294232	Ring Set-Piston (Std.)			
				294224	Ring Set-Piston (.010" O.S.)			
				294225	Ring Set-Piston (.020" O.S.)			
				294226	Ring Set-Piston (.030" O.S.)			

* Included in Gasket Set-Part No. 397144.

• Included in Carburetor Overhaul Kit-Part No. 494624.

REF. NO.	PART NO.	DESCRIPTION	REF. NO.	PART NO.	DESCRIPTION	REF. NO.	PART NO.	DESCRIPTION
		1538, 1539, 1540, 1549, 1650, 1653, 1670, 1752, 1797, 1803, 1812, 1841, 1842, 1866, 1867, 2120.	85	92747	Screw-Gear Case Mounting Sem			1859, 1883, 1886, 2104, 2121.
			86	291730	Cover Assy.- Gear Case			490621 Carb. Assy.- (1 Quart)
			87	19011	Seal-Oil			Used on Type No. 1715.
45	230173	Tappet-Valve	88	27313	Gasket-Gear Case Cover	90A	393976	Carburetor Assembly (For 2 Quart Tank)
46	491676	Gear-Cam	89	93448	Plug-Oil Drain (1/4" Pipe Thread)			(Check Illustration.)
	Note: 211337	Gear-Cam Used on Type Nos. 1646, 1704, 1736, 1772.	90	397939	Carburetor Assembly (For 2 Quart Tank) (Check Illustration.)			393975 Carb. Assy.- (For 1 Quart Tank)
52	*27355	Gasket-Intake Elbow Mounting (2 Used)			398049 Carb. Assy.- (For 3 Quart Tank)			393977 Carb. Assy.- (For 3 Quart Tank)
53	94523	Screw-Hex. Head			399633 Carb. Assy.- (For 1 Quart Tank)			For Choke-A-Matic® Carburetors, See Note and Check Illustration.
56	280439	Pulley-Rewind Starter			For Choke-A-Matic® Carburetors, See Note and Check Illustration.			(All Choke-A-Matic® Carb. Use Ref. 256 Speed Adjuster Lever)
57	490179	Spring-Rewind Starter			Note: 398711 Carb. Assy.- (2 Quart)			Note: 296799 Carb. Assy.- (2 Quart)
58	280406	Rope-Starter (81" Long, Cut to Suit) Note: If Longer Rope is Needed, Order Part No. 280399 and Cut to Required Length.			Used on Type Nos. 1515, 1518, 1631, 1652, 1661, 1664, 1671, 1675, 1676, 1695, 1696, 1702, 1731, 1735, 1741, 1744, 1755, 1762, 1763, 1765, 1782, 1784, 1802, 1815, 1840, 1848, 1854, 1868, 1870, 1875, 1876, 1878, 1887, 1896, 1897, 2112, 2119, 2126.			Used on Type Nos. 1631, 1652, 1661, 1664, 1671, 1675, 1676, 1695, 1696, 1702, 1731, 1735, 1744, 1755, 1763, 1765, 1782, 1802, 1811.
59	396892	Insert-Starter Grip			1744, 1755, 1762, 1763, 1765, 1782, 1784, 1802, 1815, 1840, 1848, 1854, 1868, 1870, 1875, 1876, 1878, 1887, 1896, 1897, 2112, 2119, 2126.			296800 Carb. Assy.- (1 Quart)
60	393152	Grip-Starter Rope			398712 Carb. Assy.- (3 Quart)			Used on Type Nos. 1637, 1647, 1677, 1694, 1716, 1733, 1747, 1768, 1774, 1780, 1809, 1838, 2104.
65	94124	Screw-Guard Retaining			Used on Type Nos. 1648, 2103.			296882 Carb. Assy.- (2 Quart)
66	399671	Clutch Assembly- Rewind Starter			399827 Carb. Assy.- (1 Quart)			Used on Type Nos. 1515, 1518, 1741, 1762, 1784.
67	394897	Housing-Starter Clutch			Used on Type Nos. 1637, 1647, 1677, 1694, 1716, 1733, 1747, 1768, 1774, 1780, 1809, 1838, 2104.			296921 Carb. Assy.- (3 Quart)
68	63770	Ball-Clutch			Used on Type No. 1648.			
70	298799	Ratchet-Rewind Starter						
71	394506	Washer-Clutch Retainer						
73	221661	Screen-Rotating						
74	93490	Screw-Rotating Screen Mounting Sem						
75	224061	Washer-Spring						
76	68238	Washer-Ratchet Sealing (Used With Non-Coated Clutch)						
79	290779	Case Assembly-Gear						
80	27667	Gasket-Gear Case						
81	220234	Lock-Gear Case Mounting Screw						
82	91541	Screw-Cap, Hex. Hd. (7/8" Long)						
82A	92279	Screw-Cap, Hex. Hd. (1-1/2" Long)						
83	211293	Shaft Assembly-Drive						
84	92617	Plug-Breather						

* Included in Gasket Set-
Part No. 397144.

• Included in Carburetor Overhaul Kit-
Part No. 494624.

80200 to 80299

REF. NO.	PART NO.	DESCRIPTION	REF. NO.	PART NO.	DESCRIPTION	REF. NO.	PART NO.	DESCRIPTION
		297995 Carb. Assy.- (1 Quart) Used on Type No. 1715.	156	222955 Lever-Speed Adjuster Note: For Choke-A-Matic® Carb. Use Speed Adjuster Lever Ref. 256.				399440 Tank Assy.- Fuel (1 Quart-With Bracket) Used on Type Nos. 1519, 1637, 1638, 1645, 1647, 1651, 1677, 1680, 1694, 1701, 1704, 1712, 1715, 1717, 1718, 1719, 1733, 1740, 1743, 1747, 1768, 1774, 1779, 1780, 1790, 1809, 1827, 1830, 1835, 1838, 1855, 1859, 1861, 1865, 1879, 1883, 1886, 1888, 2104, 2118, 2121. 399559 Tank Assy.- Fuel (3 Quart) Used on Type No. 1842.
95	93499	Screw-Throttle Valve Mounting Sem	163	271139 Gasket-Air Cleaner				
96	211203	Valve-Throttle	163A	27660 Gasket-Air Cleaner Mounting				
97	297961	Shaft and Lever- Throttle	165	93856 Wing Nut Note: 92067 Nut-Wing Used on Type Nos. 1841, 1842.				
98	93527	Screw-Machine, Rd. Hd.	166	231332 Stud-Air Cleaner (Used With Rotary Choke Carburetors- Ref. 90)				
99	393586	Spring (Includes Fil. Hd. Screw)	166A	231315 Stud-Air Cleaner (Used After Code Date 83113103). Note: 231176 Stud- Air Cleaner (Used Before Code Date 83120103 on Pull Choke Carburetors- Ref. 90A) 230058 Stud- Air Cleaner Used on Type Nos. 1841, 1842.				
101	93043	Pin-Governor Shaft	172	271077 Spacer-Air Cleaner				
108	397134	Valve Group-Choke	180	397789 Tank Assy.-Fuel (2 Quart) Note: 397622 Tank Assy.- Fuel (3 Quart) Used on Type Nos. 1541, 1623, 1624, 1625, 1627, 1628, 1629, 1632, 1642, 1648, 1659, 1665, 1666, 1667, 1669, 1670, 1674, 1682, 1688, 1689, 1706, 1723, 1724, 1729, 1749, 1751, 1752, 1756, 1764, 1769, 1773, 1781, 1788, 1796, 1797, 1803, 1804, 1805, 1806, 1812, 1822, 1836, 1847, 1860, 2102, 2103, 2110, 2117.				
110	66432	Washer-Choke Lever (One (1) Used After Code Date 86011200). (Two (2) Used Before Code Date 86011300).						
111	94060	Washer-Wave				181	298425 Cap-Fuel Tank Note: 297863 Cap-Fuel Tank Used on Type Nos. 1681, 1696, 1885. 394818 Cap-Fuel Tank Used on Type Nos. 1644, 1651, 1685, 1686, 1691, 1698, 1699, 1714, 1739, 1740, 1767, 1785, 1790, 1807, 1827, 1862, 1872, 1880, 1882, 1891, 1894, 1895, 2109, 2113, 2116, 2123, 2124. 397567 Cap-Fuel Tank Used on Type Nos. 1805, 1818.	
112	94164	Screw-Choke Lever (Used After Code Date 86011200). Note: 93686 Screw-Choke Lever (Used Before Code Date 86011300).				187	231068 Pipe-Fuel (For 3 Quart Tank) Note: 231067 Pipe-Fuel (For 2 Quart Tank)	
114	66594	Gasket-Needle Valve Nut				189	90366 Washer-Lock	
116	65978	Packing-Needle Valve				190	93440 Screw-Fuel Tank Mounting Sem	
117	230590	Nut-Needle Valve				191	271592 Gasket-Fuel Tank Mounting	
118	23433	Valve-Needle				200	490529 Blade-Governor	
121	494624	Carburetor Overhaul Kit				200A	490529 Blade-Governor	
124	93357	Screw-Hex. Hd.						
127	22831	Plug-Welch						
147	230591	Seat-Needle Valve						
148	22235	Washer-Needle Valve						
149	26336	Spring-Needle Valve						
152	260746	Spring Throttle Adjustment						
153	298031	Screw-Carburetor Cam and Lever Note: 93177 Screw-Bell Crank 230531 Collar-Bell Crank 220982 Washer Used on Type Nos. 1515, 1518, 1715, 1741, 1762, 1784.						

* Included in Gasket Set-
Part No. 397144.

• Included in Carburetor Overhaul Kit-
Part No. 494624.

80200 to 80299

REF. NO.	PART NO.	DESCRIPTION	REF. NO.	PART NO.	DESCRIPTION	REF. NO.	PART NO.	DESCRIPTION
201	262041	Link-Governor Ref. 201 is Used With Ref. 200 Gov. Blade.	268	66986	Casing-Control Wire (48" Long) Note: If Longer Casing is Needed, Specify Length in Inches; if a Shorter Casing is Needed Order Part No. 66986 and Cut to Required Length.			Note: 91943 Elbow-Exhaust Used on Type No. 1506.
201A	261663	Link-Governor Ref. 201A is Used With Ref. 200A Gov. Blade.	269	26099	Wire-Control (54" Long) Note: If Longer Wire is Needed, Specify Length in Inches; if Shorter Wire is Needed Order Part No. 26099 and Cut to Required Length.	304		Housing-Blower Note: For Type Nos. Not Listed Below, See Ref. No. 608.
203	221147	Crank-Bell	270	63426	Locknut-Control Wire Casing			294263 Housing- Blower (For Rope Starters) Used on Model 80201, 80231, 80251 Series Engines.
209	260041	Spring-Air Vane Gov. Note: 260662 Spring-Air Vane Governor Used on Type Nos. 1637, 1661, 1664, 1671, 1675, 1676, 1715, 1731, 1733, 1741, 1747, 1763, 1765, 1768, 1780, 1802, 1809, 1815, 1825, 1859, 1870, 1876, 1883, 2112, 2119, 2626. 260687 Spring- Air Vane Governor Used on Type Nos. 1631, 1661, 1676, 1677, 1694, 1695, 1735, 1744, 1782, 1848, 1854, 1878, 1887, 1896. 261658 Spring- Air Vane Governor Used on Type Nos. 1838, 1865, 1868, 1882, 1897, 2109.	271	290568	Lever Assy.-Control	305	93158	Screw-Sem
216	262020	Link-Choke	297	91811	Locknut-Exhaust Elbow	306	224377	Shield-Cylinder (Used After Code Date 89102200). Note: 220478 Shield-Cylinder (Used Before Code Date 89102300).
216A	260449	Link-Choke	298	220859	Locknut-Muffler	307	93758	Screw-Cyl. Shield Mtg.
217	261951	Spring-Choke	299	492591	Muffler-Exhaust Note: 493000 Guard-Muffler Uses: 93606 Screw (Guard to Muffler Mounting) 62199 Washer (Guard to Bracket) 93873 Screw (Guard to Bracket Mounting) 223127 Brace-Muffler Used on Type Nos. 1692, 1834, 1845, 1887.	308	220581	Cover-Cylinder Head
217A	260189	Spring-Choke Link	299A	392811	Muffler-Exhaust (Lo-Tone) Note: 493000 Guard-Muffler Uses: 93606 Screw (Guard to Muffler Mounting) 62199 Washer (Guard to Bracket) 93873 Screw (Guard to Bracket Mounting) 223127 Brace-Muffler Used on Type Nos. 1692, 1834, 1845, 1887.	319	298502	Armature Assembly (Less Trigger Coil) Note: 398428 Armature Assy. Used For 14-3/8" Ignition Cable.
218	221198	Washer-Choke Link				325	293959	Pulley-Starter (1/2" Hole in Pulley) Note: For Pulley With Screen With 5/8" Hole in Pulley Order Part No. 298731.
231	93064	Screw-Sem				330	69932	Rope-Starter
233	230253	Stop-Control Rod				331	62577	Washer-Flywheel (1/2" Hole) Note: For Washer With 5/8" Hole-Order Part No. 220865.
234	220730	Clip-Control Rod				332	91708	Nut-Flywheel (1/2-20 L.H. Thread) Note: For Flywheel Nut With 5/8-18 R.H. Thread- Order Part No. 92284.
256	220952	Lever-Speed Adjuster				333	398593	Armature-Magneto Note: 398428 Armature- Magneto Used For 14-3/8" Ignition Cable
257	93543	Screw-Fil. Hd.				333A	398593	Armature-Group Note: For Specials See Ref. 319 Note.
265	221370	Clamp-Casing Note: 221535 Clamp-Casing Used on Type No. 1715.	303	92989	Elbow-Exhaust (45° Street)			
267	93496	Screw-Sem Note: 93469 Screw-Hex. Hd. Used on Type No. 1715.						

* Included in Gasket Set-
Part No. 397144.

• Included in Carburetor Overhaul Kit-
Part No. 494624.

80200 to 80299

REF. NO.	PART NO.	DESCRIPTION	REF. NO.	PART NO.	DESCRIPTION	REF. NO.	PART NO.	DESCRIPTION
334	93381	Screw-Armature Mtg.		Note: 93065	Key-Woodruff	527	221514	Clamp-Breather Tube
337	298809	Plug-Spark (With Gasket) (1-1/2" High, 38 mm)			Used on Type Nos. 1705, 1777.			(Used After Code Date 84100100).
	Note: 293918	Plug-Spark (Resistor Type With Gasket) (1-5/8" High, 42 mm)	358	397144	Gasket Set	527A	221279	Clamp-Breather Tube
		492167 Plug-Spark (1-7/8" High, 48 mm)	363	19069	Puller-Flywheel			(Used Before Code Date 84100200).
		802592 Plug-Spark (Resistor Type) (1-7/8" High, 48 mm)	370	66432	Washer-Plain	528	231383	Tube-Breather
346	93705	Screw-Sem	383	89838	Wrench-Spark Plug			(Used With Rotary Choke Carbs.-Ref. 90)
347	220884	Switch-Stop (For 1-1/2" High, 38 mm Spark Plug)	392	260455	Spring-Fuel Pump Diaphragm	528A	231312	Tube-Breather
	Note: 221808	Switch-Stop (For 1-7/8" High, 48 mm Spark Plug)	394	270026	Diaphragm			(Used After Code Date 84100100 on Pull Choke Carbs.- Ref. 90A)
347A	298926	Switch-Stop (For 1-1/2" High, 38 mm Spark Plug)	414	231325	Spacer (Used Before Code Date 86011300).			Note: 230634 Tube-Breather
	Note: 293739	Switch-Stop (For 1-7/8" High, 48 mm Spark Plug)	432	221377	Cap-Spring			(Used Before Code Date 84100200 on Pull Choke Carbs.- Ref. 90A)
348	296110	Plate Assembly-Stop Switch Insulator	433	93265	Pin-Diaphragm			
353	92791	Washer-Lock	434	210959	Cover-Diaphragm			
354	90576	Nut-Hex.	435	93141	Screw-Diaph. Cover			
356	398808	Wire-Ground Used With Armature Ref. 333.	445	396424	Cartridge-Air Cleaner			
	Note: 396585	Wire-Ground (Cut to Suit) Used With Armature Ref 333A. Used on Type Nos. 1506, 1516, 1517, 1522, 1535, 1536, 1537, 1538, 1539, 1540, 1549, 1703, 1779, 1813.	445A	392308	Cartridge-Air Cleaner			
		398874 Wire-Ground Used on Type Nos. 1819, 1821, 1829, 1845, 1846, 1850, 1851, 1855, 1863, 1869, 1871, 2106.	446	222844	Base-Air Cleaner	529	67838	Grommet-Breather
		357 91539 Key-3/16" Square	467	212706	Knob-Air Cleaner			Tube (90° Angle)
			467A	212293	Knob-Air Cleaner			(Used After Code Date 84100100).
			506	90200	Screw-Machine, Fil. Hd.			Note: 67608 Grommet-
			507	66895	Insulator			Breather (120° Angle)
			520	93722	Terminal-Spade			(Used Before Code Date 84100200).
			521	297973	Shielding-Ignition Cable	534	94071	Screw-Air Cleaner
			526	94408	Screw-Tank Bracket Mounting Sem			(1/4" Diameter)
				Note: 93686	Screw-Tank Bracket to Cylinder Mounting Sem			Note: 93322 Screw-
				Uses:	66432 Washer			Air Cleaner
					Used on Type Nos. 1519, 1637, 1638, 1645, 1647, 1651, 1677, 1680, 1694, 1701, 1704, 1712, 1715, 1716, 1717, 1718, 1719, 1733, 1740, 1743, 1747, 1768, 1774, 1779, 1780, 1790, 1809, 1827, 1830, 1835, 1838, 1855, 1859, 1879, 1883, 1886, 1888, 2104, 2118, 2121.	535	27987	Element-Air Cleaner
						535A	271466	Element-Air Cleaner
						536	397703	Cleaner Assy.-Air
								(For 1/4" Screw)
								Note: 296766 Cleaner Assy.-
								Air
								(For 3/16" Screw)
						538	260683	Rod-Speed Control
						539	260684	Link-Rod
						541	22398	Washer-Speed
								Adjuster and Governor
								Lever
						542	393586	Screw-Machine Fil. Hd.
						549	271118	Washer-Air Cleaner
						575	396691	Stop Switch-Rotary
						608		Starter Assy.-Rewind
								See Chart on
								Illustrated Page.

* Included in Gasket Set-
Part No. 397144.

• Included in Carburetor Overhaul Kit-
Part No. 494624.

80200 to 80299

REF. NO.	PART NO.	DESCRIPTION	REF. NO.	PART NO.	DESCRIPTION	REF. NO.	PART NO.	DESCRIPTION
		Note: 492162 Starter Assy.- Rewind (12 o'clock) Used on Type Nos. 1677, 1896, 2112.			1882, 1894, 1895, 2109, 2113, 2123, 2124.	741	261533	Gear-Timing (For Plain Bearing)
611	391813	Fuel Pipe and Clip Assembly	621	297472	Switch-Stop			Note: 261721 Gear-Timing (For Ball Bearing)
		Note: 297219 Pipe-Fuel Plastic (2-5/8" Long) Used on Type Nos. 1519, 1631, 1637, 1638, 1645, 1647, 1651, 1652, 1661, 1664, 1671, 1675, 1676, 1677, 1680, 1694, 1695, 1696, 1701, 1702, 1704, 1712, 1715, 1716, 1717, 1718, 1719, 1731, 1733, 1735, 1740, 1743, 1744, 1747, 1755, 1763, 1765, 1768, 1774, 1779, 1780, 1782, 1790, 1802, 1809, 1811, 1815, 1825, 1827, 1830, 1831, 1835, 1838, 1840, 1848, 1854, 1859, 1861, 1865, 1868, 1875, 1876, 1878, 1879, 1886, 1887, 1888, 1896, 1897, 2104, 2112, 2118, 2119, 2121.	629	260546	Spring-Throttle Return Note: 260871 Spring-Throttle Return Used on Type Nos. 1644, 1685, 1686, 1691, 1698, 1699, 1714, 1739, 1767, 1785, 1807, 1862, 1882, 1894, 1895, 2109, 2113, 2123, 2124.	851	221798	Terminal-Ignition Cable
612	296811	Pipe-Fuel (1-5/8" Long, Plastic)	629A	261632	Spring-Throttle Return Used on Type Nos. 1872, 2113, 2116, 2124.	852	396397	Cleaner Assy.-Air
614	221384	Bracket	634	271853	Washer-Throttle Shaft (Foam) (Used After Code Date 85081100).	852A	392368	Cleaner Assy.-Air Note: Dual Element Air Cleaner Kit Part No. 393018.
		Note: 222161 Anchor-Spring Used on Type Nos. 1644, 1685, 1686, 1691, 1698, 1699, 1714, 1739, 1767, 1785, 1807, 1862,			Note: 270167 Washer- Throttle Shaft (Felt) (Used Before Code Date 85081200).	854	392884	Bracket Assy.- Stop Switch
			634A	270382	Washer-Foam	864	492232	Adapter Assembly- Muffler
			635	66538	Elbow-Spark Plug Note: 392273 Elbow- Shielding Used on Type Nos. 1779, 1855.	869	211172	Seat-Int. Valve (Std.) (Used After Code Date 88073100). 210879 Seat-Intake Valve (Used Before Code Date 88080100). Note: For Options See Repair Manual.
			642	223306	Cover-Air Cleaner	870	211291	Seat-Exhaust Valve (Standard) Note: For Options See Repair Manual.
			642A	222626	Cover-Air Cleaner	871	231348	Guide-Exhaust Valve Note: 63709 Guide- Intake Valve See Repair Manual.
			643	280374	Cup-Air Cleaner	883	272203	Gasket-Exhaust
			643A	222845	Cup-Air Cleaner	897	394970	Trigger Coil
			665	298858	Oil Minder	898	92507	Lockwasher-Internal Tooth
			676	393760	Deflector-Muffler	899	93397	Lockwasher-External Tooth
			676A	397931	Deflector-Muffler	949	396579	Guard-Rewind Starter
			681	299060	Needle Valve Kit	951	223286	Lever-Choke
			682	211516	Shield-Starter Clutch	987	398970	Seal-Throttle Shaft (Used After Code Date 85081100).
						994	398067	Spark Arrester
						1016	490817	Spacer
						1019	491069	Label Kit

* Included in Gasket Set-
Part No. 397144.

• Included in Carburetor Overhaul Kit-
Part No. 494624.

