

354400 to 354499

Illustrated Parts List

Model Series

354400 to 354499

TYPE NUMBERS
0030, 0042, 0044,
0100, 0110, 0119,
0120, 0122.

TO FIND
THE CORRECT NUMBER OF THE PART YOU NEED:
FOLLOW THE INSTRUCTIONS BELOW

- A. Refer to Engine Model, Type and Code Number that is stamped on the blower housing of engine. Engine type numbers such as 0123 01 are listed only as 0123 in most instances. The two digits (01 or 02, etc.) to the right of the space may be required for more accurate parts identification in some instances. Select the Illustrated Parts List covering the correct Model Series and Type Number.
- B. Refer to the Illustrations and compare the original part with Illustration. The number next to the illustration is the Reference Number. Assemblies include all parts shown in frames. All parts shown in assembly frames having individual reference numbers can be purchased separately.
- C. After the Reference Number has been identified, refer to the Numerical text, where Reference and Primary Part Number are listed. **THE PRIMARY PART IS USED ON ALL TYPE NUMBERS EXCEPT THOSE TYPE NUMBERS UNDER "NOTE."**
- D. If a "Note" appears below the Primary Part Number, it means that this part differs from the Primary Part for certain types. If your Type number is listed under "Note," order the part referred to at the "Note."
- E. If your Engine Type Number does not appear after any part number listed under "Note," use the Primary Part Number.
- F. For Engine Type Numbers not covered by this book, check other Parts Lists having the same engine model or contact your source of supply.

PRINTED IN U.S.A.

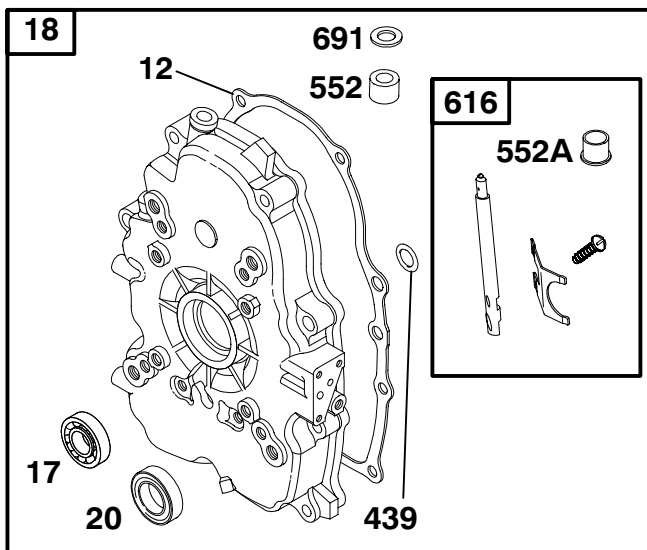
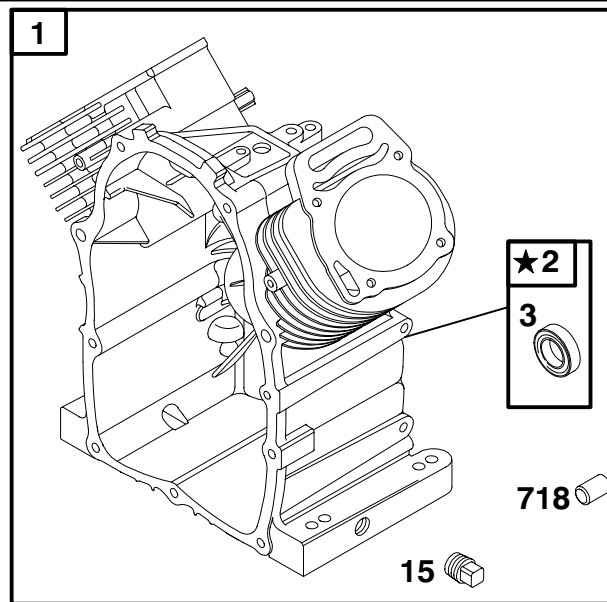
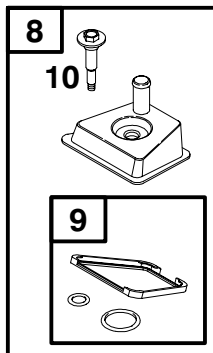


COPYRIGHT by BRIGGS & STRATTON CORPORATION
All rights reserved. No part of this material may be reproduced or transmitted, in any form or by any means, electronic or mechanical, including photocopying, recording or by any information storage and retrieval system, without permission in writing from Briggs & Stratton Corporation.

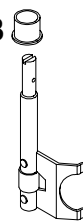
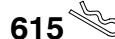
354400 to 354499

1058 OWNER'S MANUAL

1019 LABEL KIT



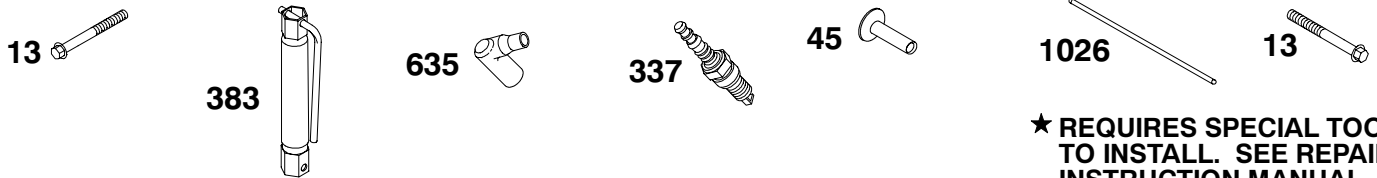
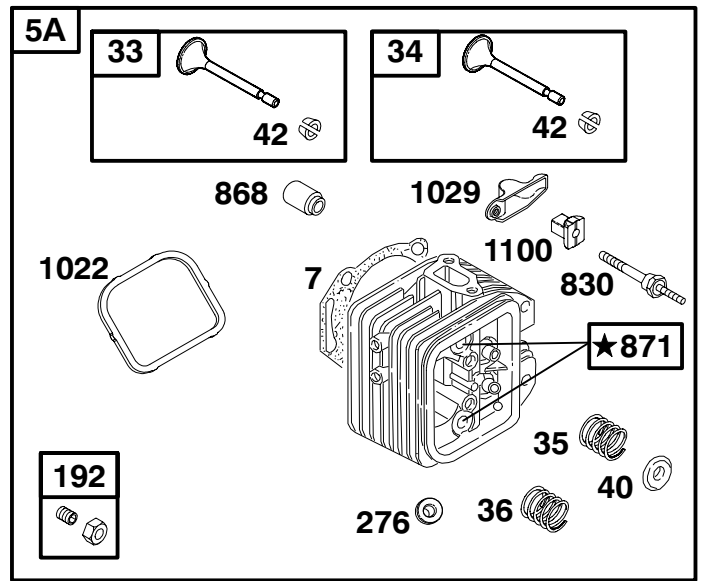
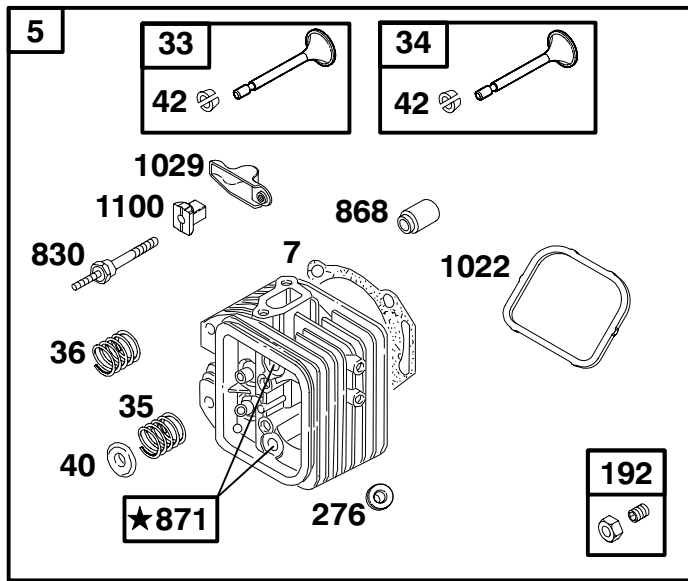
★ **REQUIRES SPECIAL TOOLS TO INSTALL. SEE REPAIR INSTRUCTION MANUAL.**



REF. NO.	PART NO.	DESCRIPTION	REF. NO.	PART NO.	DESCRIPTION	REF. NO.	PART NO.	DESCRIPTION
1	808702	Cylinder Assembly	22	692540	Screw (Crankcase Cover)	552B	690702	Governor Crank Bushing (Used Before Code Date 99072100).
2	808534	Bushing/Seal Kit (Magneto Side)	276A	690704	Sealing Washer (Governor Crank)	572	690686	Breather Baffle
3	★805101	Oil Seal (Magneto Side)	439	★692154	O-Ring Seal (Crankcase Cover)	601	691145	Hose Clamp
8	807893	Breather Assembly	454	693289	Breather Cap	615	691550	Governor Shaft Retainer
9	★807688	Breather Gasket	552	690701	Governor Crank Bushing	616	806685	Governor Crank (Used After Code Date 99072000).
10	805751	Screw (Breather Assembly)	552A	806686	Governor Crank Bushing (Used After Code Date 99072000).	616A	690899	Governor Crank (Used Before Code Date 99072100).
12	★806190	Crankcase Gasket				691	★690680	Governor Shaft Seal
15	94239	Oil Drain Plug				718	690684	Locating Pin
17	690752	Ball Bearing				1019	808158	Label Kit
18	808502	Crankcase Cover				1058	273898	Owner's Manual
20	★805049	Oil Seal (PTO Side)						

★ Included in Engine Gasket Set-Ref. No. 358.

Included in Valve Gasket Set-Ref. No.1095.



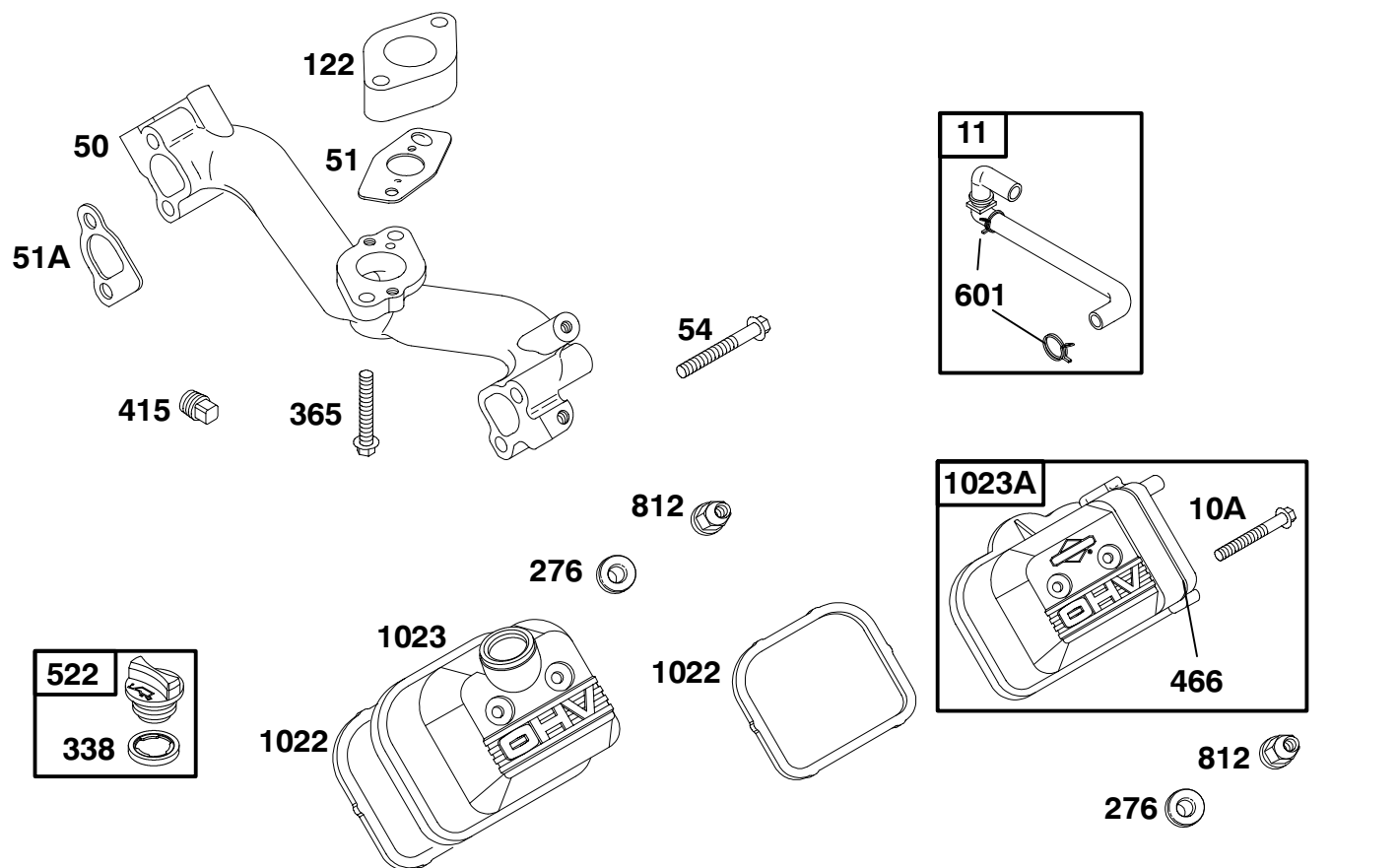
★ REQUIRES SPECIAL TOOLS TO INSTALL. SEE REPAIR INSTRUCTION MANUAL.

REF. NO.	PART NO.	DESCRIPTION	REF. NO.	PART NO.	DESCRIPTION	REF. NO.	PART NO.	DESCRIPTION
5	808698	Cylinder Head (Cylinder 1)	40	805092	Valve Retainer	871	805084	Guide Bushing
5A	808699	Cylinder Head (Cylinder 2)	42	807683	Valve Keeper	1022	806039	Rocker Cover Gasket
7	★690888	Cylinder Head Gasket	45	262679	Valve Tappet	1026	805352	Push Rod (Steel)
13	805097	Screw (Cylinder Head)	192	807623	Rocker Arm Adjustor	----- Note -----		
33	808687	Exhaust Valve	276	★805420	Sealing Washer			805617 Push Rod (Aluminum) (Exhaust Side Only)
34	807680	Intake Valve	337	491055	Sparkplug	1029	691543	Rocker Arm
35	805937	Valve Spring (Intake)	383	19374	Sparkplug Wrench	1100	690973	Rocker Arm Pivot
36	805937	Valve Spring (Exhaust)	635	805529	Sparkplug Boot			
			830	691544	Rocker Arm Stud			
			868	★ 805094	Valve Seal			

★ Included in Engine Gasket Set-Ref. No. 358.

Included in Valve Gasket Set-Ref. No.1095.

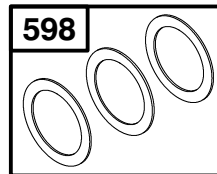
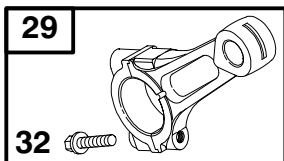
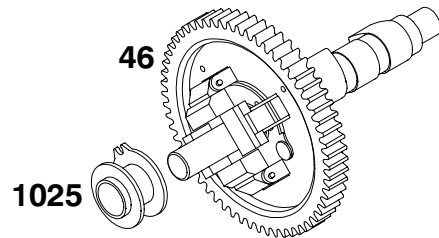
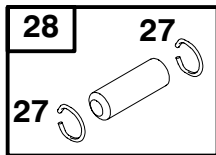
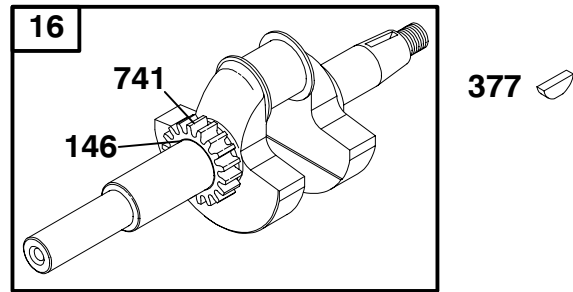
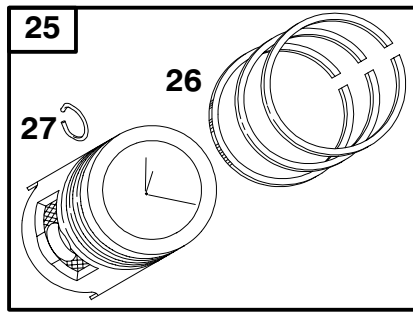
354400 to 354499



REF. NO.	PART NO.	DESCRIPTION	REF. NO.	PART NO.	DESCRIPTION	REF. NO.	PART NO.	DESCRIPTION
10A	806421	Screw (Breather Assembly)	51	★806457	Intake Gasket	466	806466	O-Ring Seal (Breather Assembly)
11	808686	Breather Tube	51A	★ 805023	Intake Gasket	522	491832	Dipstick/Fill Plug
50	690754	Intake Manifold (Used After Code Date 00011600). ----- Note ----- 692124 Intake Manifold (Plug Included) (Used Before Code Date 00011700).	54	690676	Screw (Intake Manifold)	601	691145	Hose Clamp
			122	690747	Carburetor Spacer	812	805019	Nut (Rocker Arm Cover)
			276	★ 805420	Sealing Washer	1022	★ 806039	Rocker Cover Gasket
			338	★691312	Dipstick Gasket	1023	690758	Rocker Arm Cover
			365	690711	Screw (Carburetor To Manifold)	1023A	808648	Rocker Arm Cover (Includes Breather Assembly)
			415	690283	Plug (Intake Manifold)			

★ Included in Engine Gasket Set-Ref. No. 358.

Included in Valve Gasket Set-Ref. No.1095.

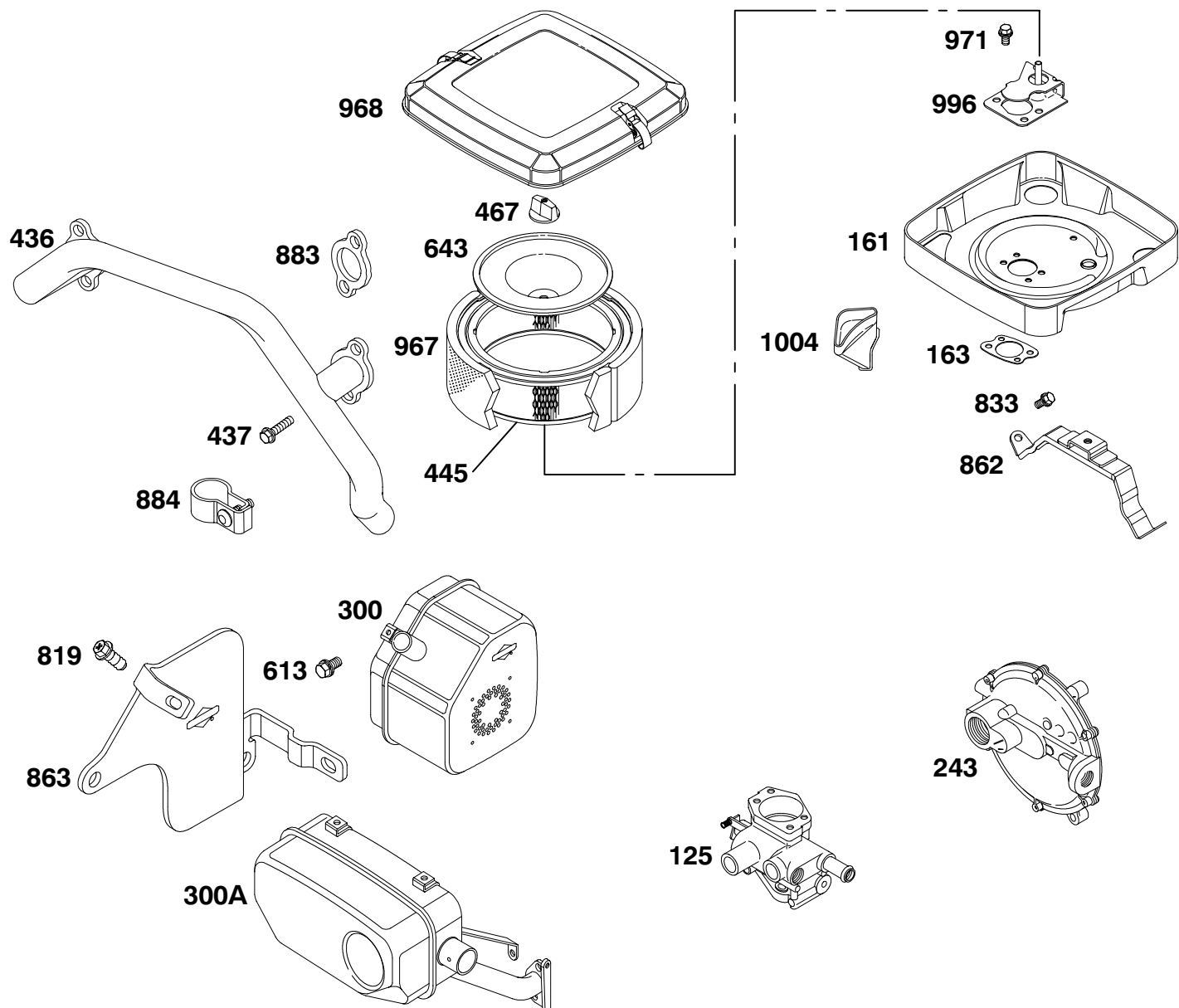


REF. NO.	PART NO.	DESCRIPTION	REF. NO.	PART NO.	DESCRIPTION	REF. NO.	PART NO.	DESCRIPTION
16	692173	Crankshaft ----- Note ----- 692171 Crankshaft Used on Type No(s). 0030, 0100.	26	807889	Ring Set (Standard) ----- Note ----- 807994 Ring Set (.010 Oversize) 807995 Ring Set (.020 Oversize) 807996 Ring Set (.030 Oversize)	29	807900	Connecting Rod (Standard) ----- Note ----- 807803 Conn. Rod (.020 Undersize)
17	690752	Ball Bearing	27	690683	Piston Pin Lock	32	690698	Screw (Connecting Rod)
25	808326	Piston Assembly (Standard) ----- Note ----- 808336 Piston Assembly (.010 Oversize) 808337 Piston Assembly (.020 Oversize) 808338 Piston Assembly (.030 Oversize)	28	807886	Piston Pin	46	691557	Camshaft
						146	94196	Timing Key
						377	808095	Woodruff Key
						598	807625	End Play Shim
						741	691530	Timing Gear
						1025	690689	Governor Spool

★ Included in Engine Gasket Set-Ref. No. 358.

Included in Valve Gasket Set-Ref. No.1095.

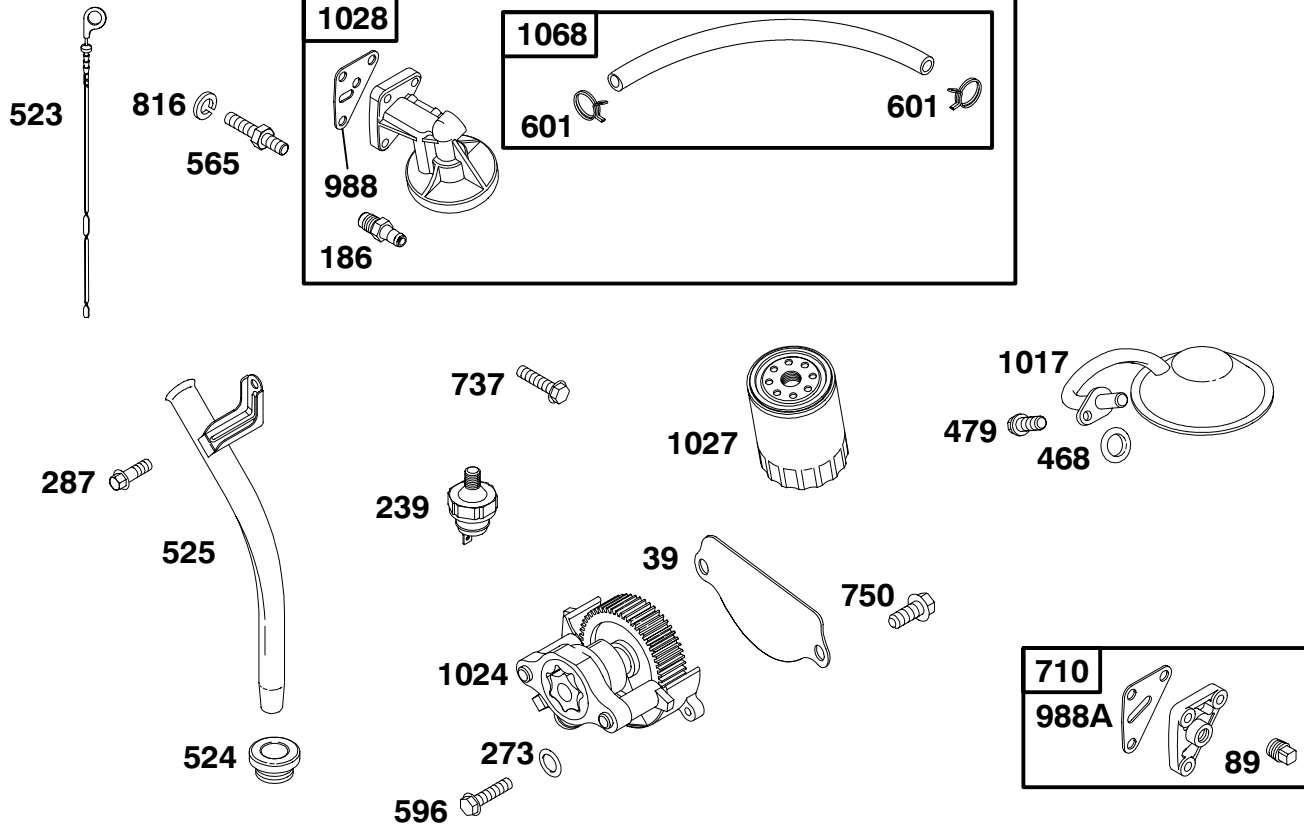
354400 to 354499



REF. NO.	PART NO.	DESCRIPTION	REF. NO.	PART NO.	DESCRIPTION	REF. NO.	PART NO.	DESCRIPTION
125		Carburetor (Supplied by Equipment Manufacture)	445	394018	Air Cleaner Cartridge Filter	863	691513	Muffler Bracket
161	691561	Air Cleaner Base	467	491875	Air Cleaner Knob	883	★ 805024	Exhaust Gasket
163	★805655	Air Cleaner Gasket	613	805025	Screw (Exhaust Muffler)	884	690898	Muffler Clamp
243		Fuel Regulator (Supplied by Equipment Manufacture)	643	805631	Air Filter Retainer	967	272490	Pre-Cleaner Filter
300	807948	Exhaust Muffler	819	805448	Screw (Muffler Bracket)	968	807862	Air Cleaner Cover
300A	691562	Exhaust Muffler	833	692539	Screw (Cleaner Mounting Strap)	971	692537	Screw (Air Cleaner Base)
436	805142	Exhaust Manifold	862	692153	Cleaner Mounting Strap	996	691577	Carburetor Shield
437	805158	Screw (Exhaust Manifold)				1004	690743	Air Duct

★ Included in Engine Gasket Set-Ref. No. 358.

Included in Valve Gasket Set-Ref. No.1095.

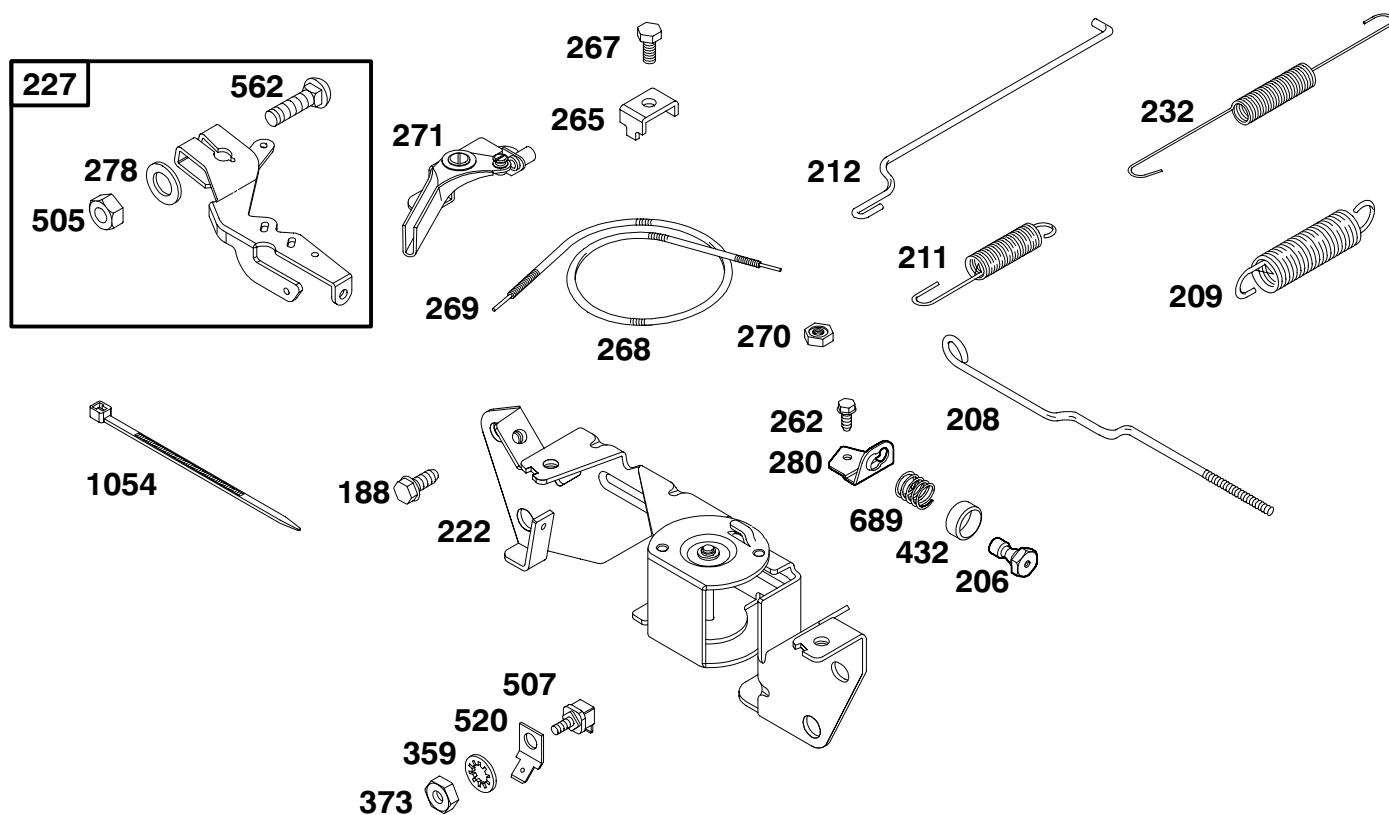


REF. NO.	PART NO.	DESCRIPTION	REF. NO.	PART NO.	DESCRIPTION	REF. NO.	PART NO.	DESCRIPTION
39	690745	Oil Deflector	565	690682	Stud (Oil Filter Adapter)	1017	690900	Oil Pump Screen
89	690283	Oil Plug	596	691492	Screw (Oil Pump)	1024	693185	Oil Pump
186	693184	Hose Connector	601	691145	Hose Clamp	1027	492932	Oil Filter
239	690233	Oil Pressure Switch	710	807689	Oil Filter Cover Used on Type No(s). 0042, 0044, 0120.	1028	808033	Oil Filter Adapter Used on Type No(s). 0042, 0044, 0120.
273	★690681	O-Ring Seal (Oil Pump)	737	690679	Screw (Oil Filter Adapter)	----- Note -----		
287	805247	Screw (Dipstick Tube)	750	692539	Screw (Oil Pump Cover)	808235		Oil Filter Adapter Used on Type No(s). 0030, 0100, 0110.
468	★690690	O-Ring Seal (Oil Pump Screen)	816	690706	Washer (Oil Filter Adapter)	808537		Oil Filter Adapter Used on Type No(s). 0119.
479	692537	Screw (Oil Pump Screen)	988	★805250	Oil Adapter Gasket	1068	499501	Hose/Clamp Assembly
523	693175	Dipstick	988A	690687	Oil Adapter Gasket			
524	★693172	Dipstick Tube Seal						
525	693174	Dipstick Tube						

★ Included in Engine Gasket Set-Ref. No. 358.

Included in Valve Gasket Set-Ref. No.1095.

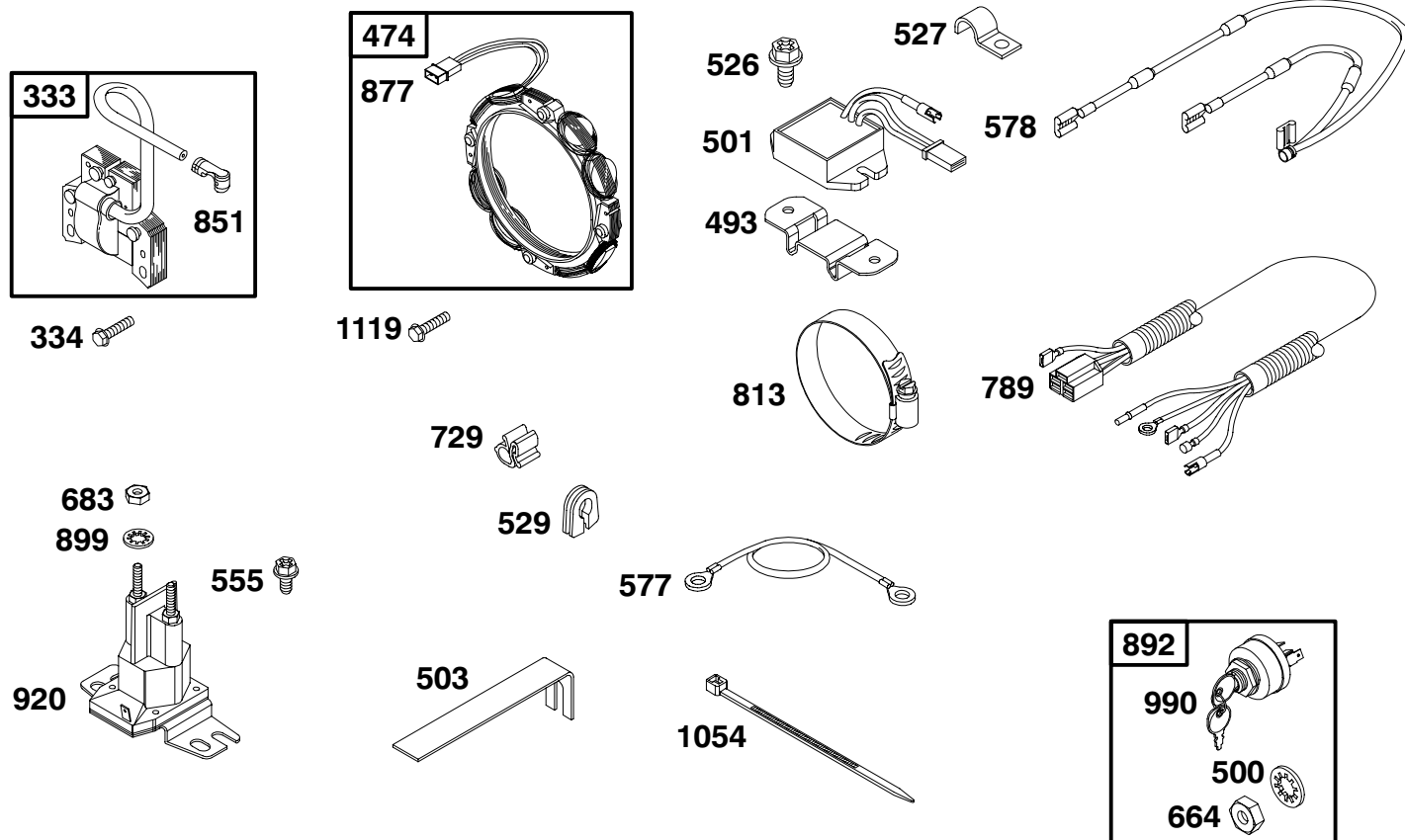
354400 to 354499



REF. NO.	PART NO.	DESCRIPTION	REF. NO.	PART NO.	DESCRIPTION	REF. NO.	PART NO.	DESCRIPTION
188	805025	Screw (Control Bracket)	227	690236	Governor Control Lever	280	691526	Rod Bracket
206	691244	Governor Adjusting Nut	232	805465	Governor Link Spring	359	691077	Washer (Ground Terminal)
208	691549	Governor Control Rod	262	805762	Screw (Rod Bracket)	373	90576	Nut (Ground Terminal)
209	691506	Governor Spring	265	221535	Casing Clamp	432	691509	Spring Cap
		----- Note ----- 805460 Governor Spring Used on Type No(s). 0030, 0100.	267	805762	Screw (Casing Clamp)	505	690238	Nut (Governor Control Lever)
211	805450	Governed Idle Spring	268	65616	Control Wire Casing (Cut to Required Length)	507	398525	Insulator
		----- Note ----- 805453 Governed Idle Spring Used on Type No(s). 0030, 0100.	269	26633	Control Wire (Cut to Required Length)	520	691084	Ground Terminal
			270	63426	Nut (Control Wire Casing)	562	690239	Bolt (Governor Control Lever)
212	690712	Throttle Link	271	290568	Control Lever	689	691272	Friction Spring
222	808454	Control Bracket	278	690237	Washer (Governor Control Lever)	1054	280275	Cable Tie

★ Included in Engine Gasket Set-Ref. No. 358.

Included in Valve Gasket Set-Ref. No.1095.

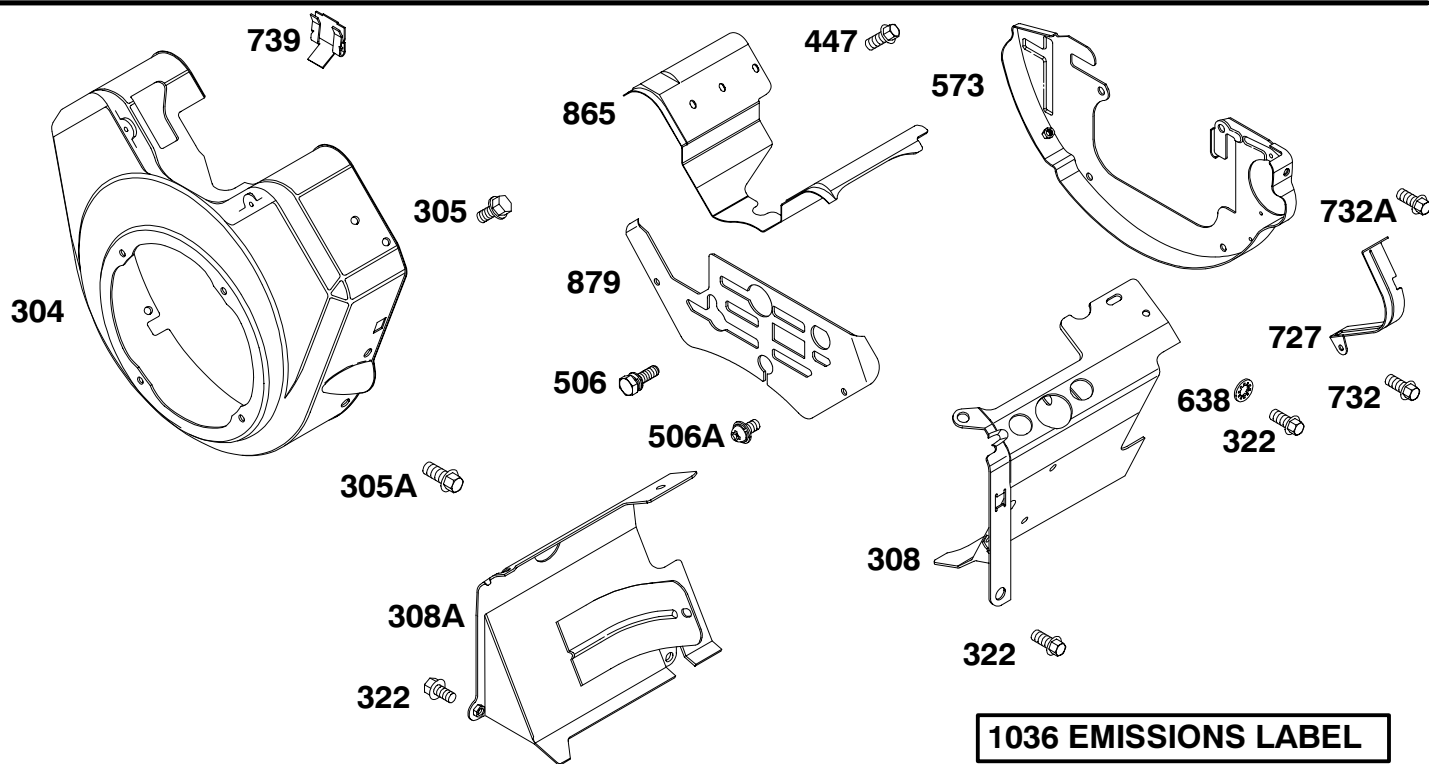


REF. NO.	PART NO.	DESCRIPTION	REF. NO.	PART NO.	DESCRIPTION	REF. NO.	PART NO.	DESCRIPTION
333	492341	Magneto Armature	529	690744	Grommet	851	493880	Sparkplug Terminal
334	805407	Screw (Magneto Armature)	555	805448	Screw (Starter Solenoid)	877	399916	Alternator Connector/ Wire
474	393295	Alternator	577	690795	Starter Cable	892	493625	Key Switch
493	691177	Mounting Bracket	578	493792	Wire Assembly	899	691077	Washer (Starter Solenoid)
500	691086	Washer (Key Switch)	664	691087	Nut (Key Switch)	920	807829	Starter Solenoid
501	394890	Regulator	683	92278	Nut (Starter Solenoid)	990	392832	Key Set
503	691532	Starter Strap	729	690586	Wire Clip	1054	280275	Cable Tie
526	805448	Screw (Regulator)	789	493624	Wiring Harness	1119	691552	Screw (Alternator)
527	690423	Tube Clamp	813	690635	Clamp			

★ Included in Engine Gasket Set-Ref. No. 358.

Included in Valve Gasket Set-Ref. No.1095.

354400 to 354499

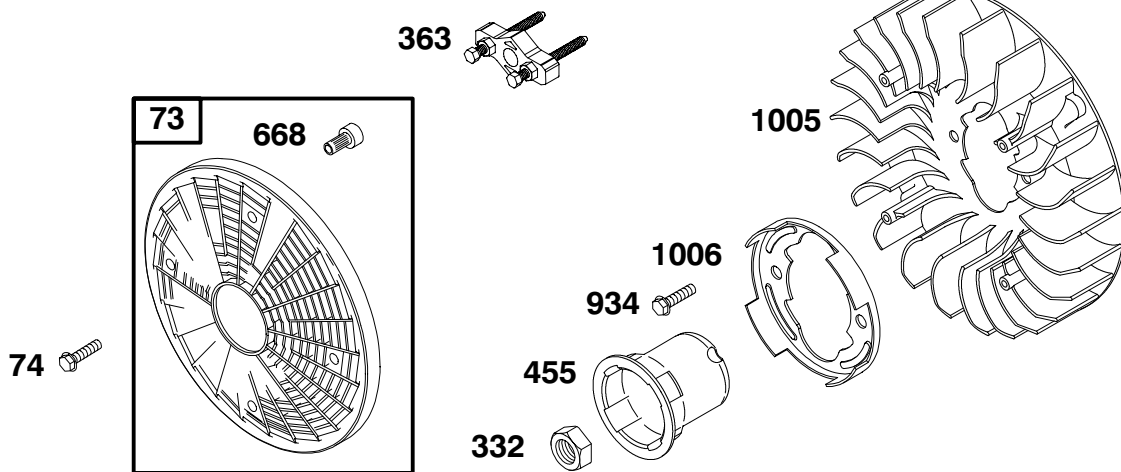
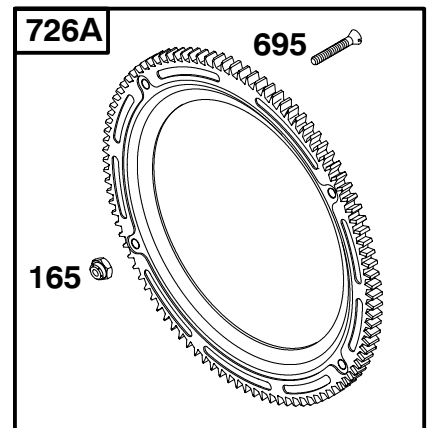
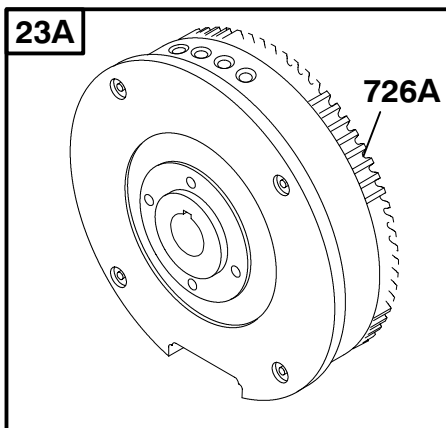
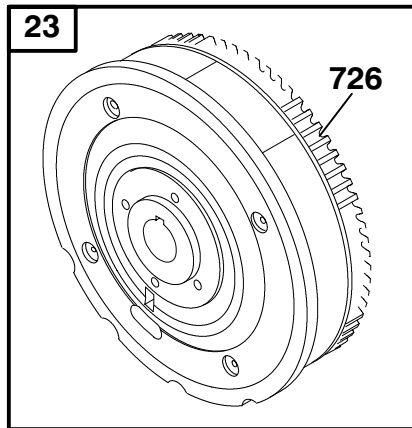


1036 EMISSIONS LABEL

REF. NO.	PART NO.	DESCRIPTION	REF. NO.	PART NO.	DESCRIPTION	REF. NO.	PART NO.	DESCRIPTION
304	690930	Blower Housing	308A	692805	Cylinder Head Cover (Cylinder 2) (Used After Code Date 98120100).	727	690714	Starter Drive Cover (Black)
305	805025	Screw (Blower Housing)						----- Note -----
305A	692539	Screw (Blower Housing)						805503 Starter Drive Cover (Red)
308	692806	Cylinder Head Cover (Cylinder 1) (Used After Code Date 98120100).				732	690688	Screw (Starter Drive Cover)
		----- Note -----				732A	692539	Screw (Starter Drive Cover)
		691576 Cylinder Head Cover (Cylinder 1) (Used Before Code Date 98113000).	322	692539	Screw (Cylinder Head Cover)	739	690451	Debris Clip
			447	692539	Screw (Air Guide Cover)	865	690750	Air Guide Cover
			506	690872	Screw (Carburetor Cover)	879	806648	Carburetor Cover
			506A	690677	Screw (Carburetor Cover)	1036	806701	Emissions Label (Used After Code Date 99093000).
			573	690902	Back Plate			----- Note -----
			638	691551	Washer (Cylinder Head Cover)			806638 Emissions Label (Used After Code Date 98123100 and Before Code Date 99100100).
								806462 Emissions Label (Used Before Code Date 99010100).

★ Included in Engine Gasket Set-Ref. No. 358.

Included in Valve Gasket Set-Ref. No.1095.

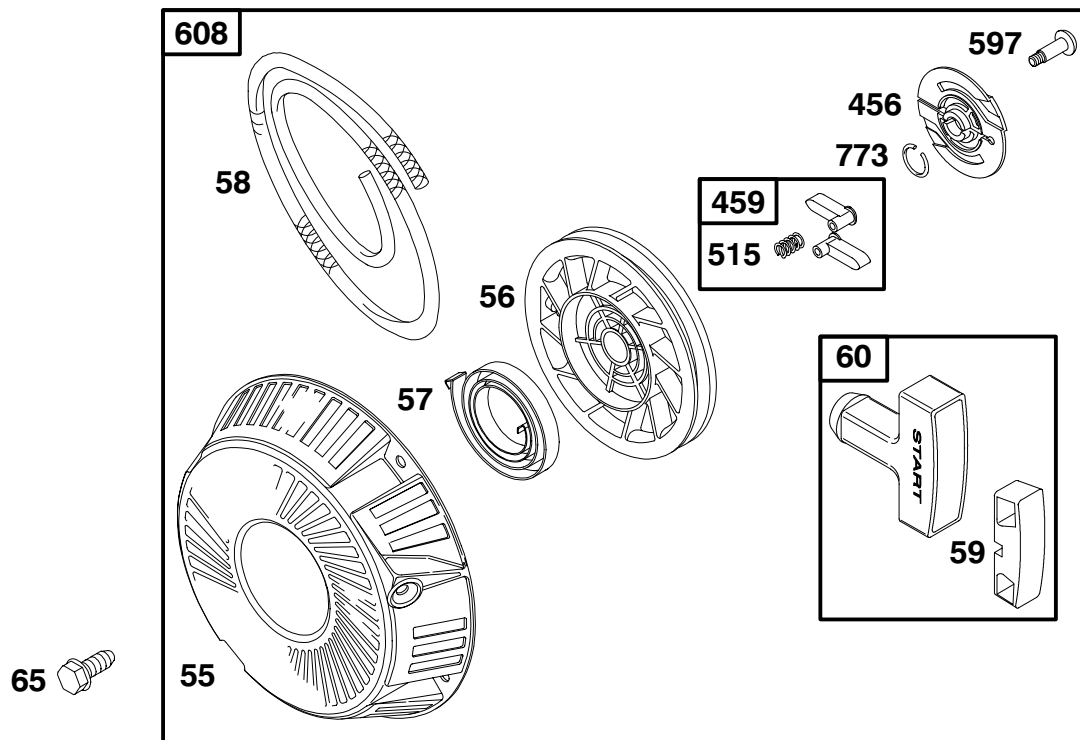


REF. NO.	PART NO.	DESCRIPTION	REF. NO.	PART NO.	DESCRIPTION	REF. NO.	PART NO.	DESCRIPTION
23	808768	Flywheel (Steel Ring Gear) (Used After Code Date 98113000).	74	805447	Screw (Rotating Screen)	726		Ring Gear (Steel) (Sold in Flywheel Kit Only; Ref 23)
23A	690921	Flywheel (Aluminum Ring Gear) (Used Before Code Date 98071600).	165	693148	Nut (Ring Gear)	726A	807805	Ring Gear (Aluminum)
73	494439	Rotating Screen	332	690887	Nut (Flywheel)	934	94627	Screw (Fan Retainer)
			363	19203	Flywheel Puller	1005	690911	Flywheel Fan
			455	690864	Flywheel Cup	1006	690452	Fan Retainer
			668	691500	Spacer			
			695	693109	Screw (Ring Gear)			

★ Included in Engine Gasket Set-Ref. No. 358.

Included in Valve Gasket Set-Ref. No.1095.

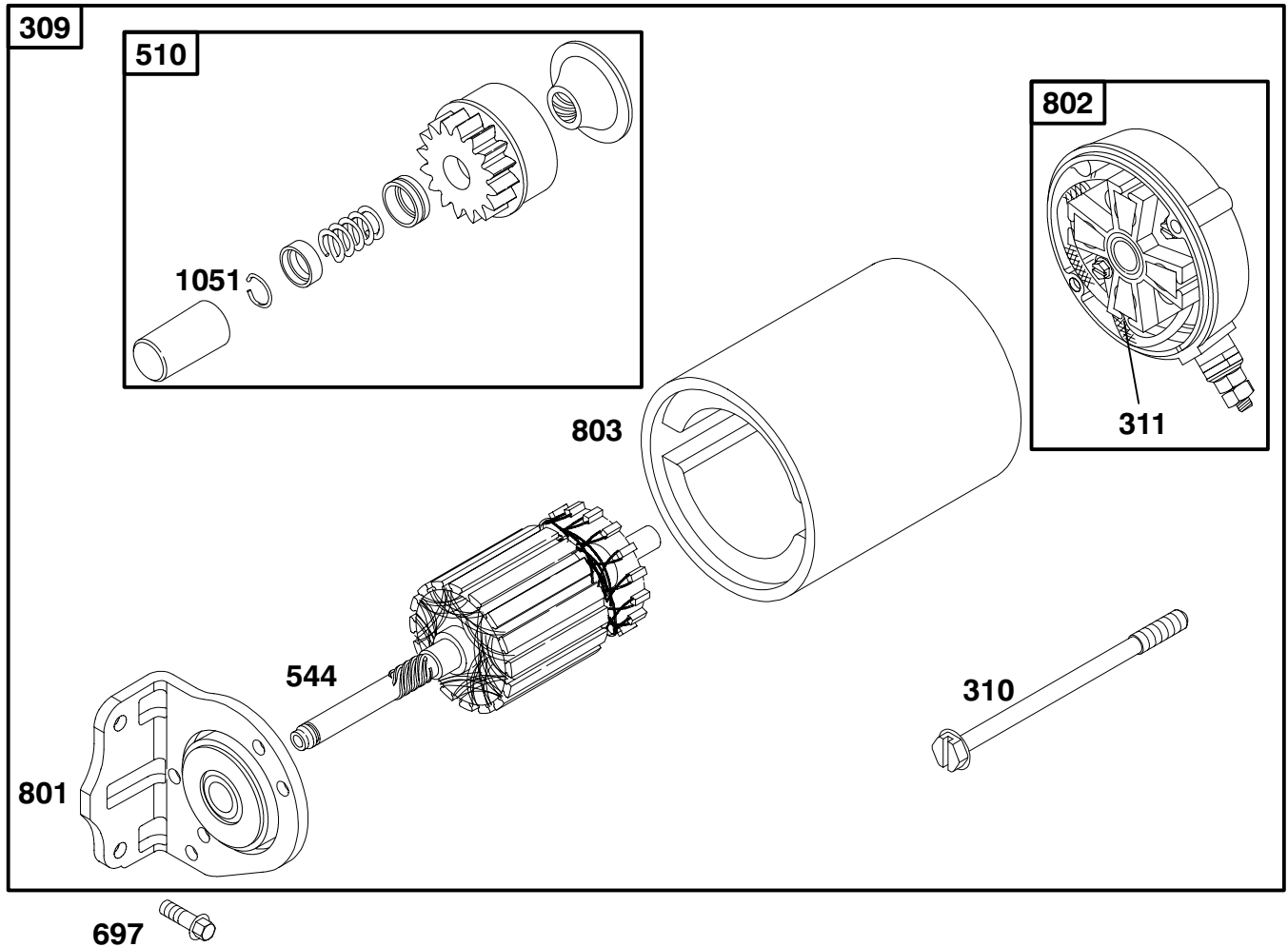
354400 to 354499



REF. NO.	PART NO.	DESCRIPTION	REF. NO.	PART NO.	DESCRIPTION	REF. NO.	PART NO.	DESCRIPTION
55	691568	Rewind Starter Housing	59	805957	Grip Insert	515	691528	Pawl Spring
56	805949	Starter Pulley	60	808167	Starter Rope Grip	597	690876	Screw (Pawl Friction Plate)
57	805951	Rewind Starter Spring	65	805026	Screw (Rewind Starter)	608	808087	Rewind Starter
58	66574	Starter Rope (Cut to Required Length)	456	691529	Pawl Friction Plate	773	690875	Retainer
			459	808166	Ratchet Pawl			

★ Included in Engine Gasket Set-Ref. No. 358.

Included in Valve Gasket Set-Ref. No.1095.

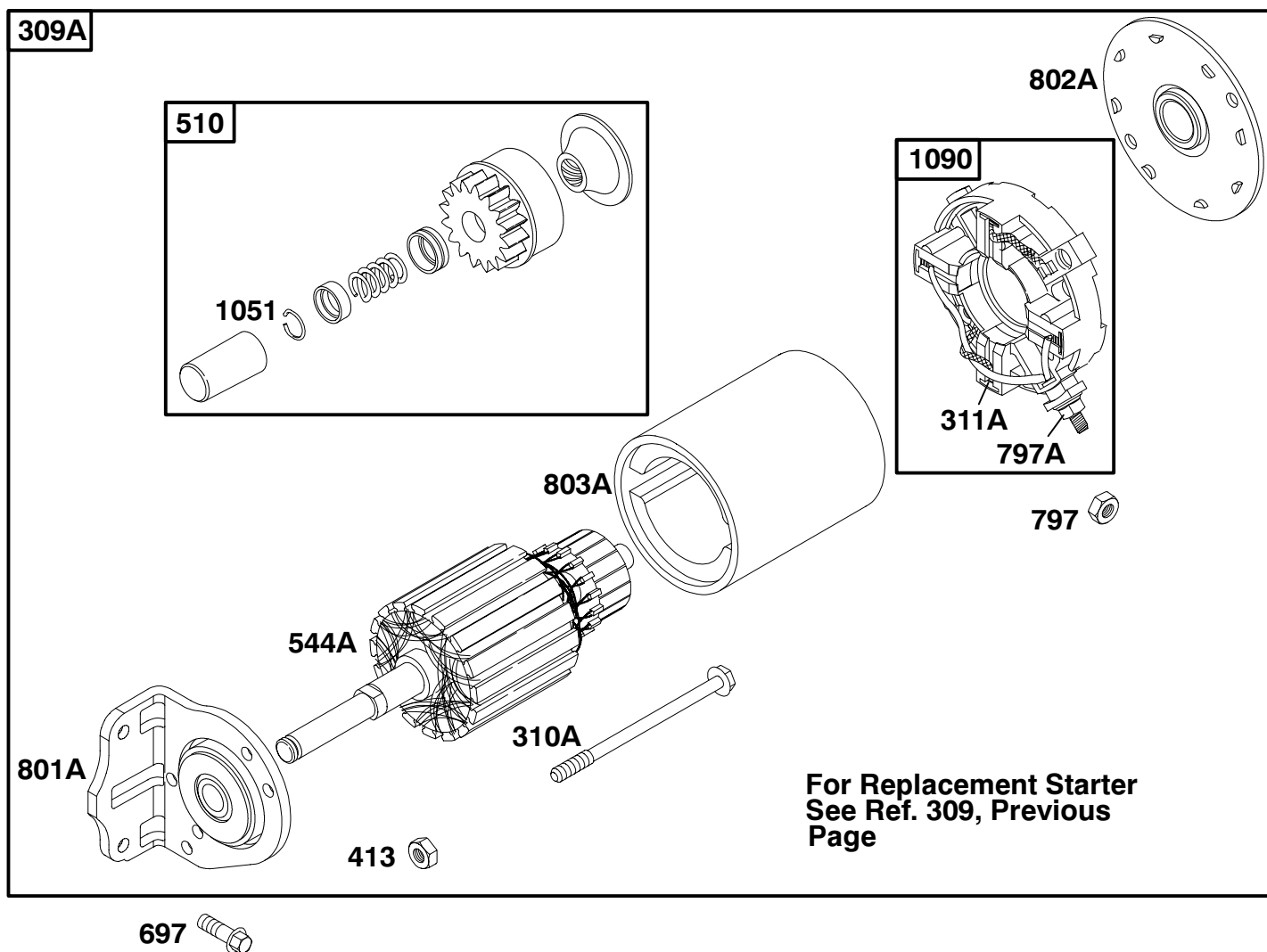


REF. NO.	PART NO.	DESCRIPTION	REF. NO.	PART NO.	DESCRIPTION	REF. NO.	PART NO.	DESCRIPTION
309	691564	Starter Motor (Steel Pinion)	510	496881	Starter Drive	801	808778	Drive Cap
310	496880	Bolt (Starter Motor)	544	690855	Starter Armature	802	496813	End Cap
311	496887	Brush Set	697	805247	Screw (Drive Cap)	803	690854	Starter Housing
						1051	691124	Retaining Ring

★ Included in Engine Gasket Set-Ref. No. 358.

Included in Valve Gasket Set-Ref. No.1095.

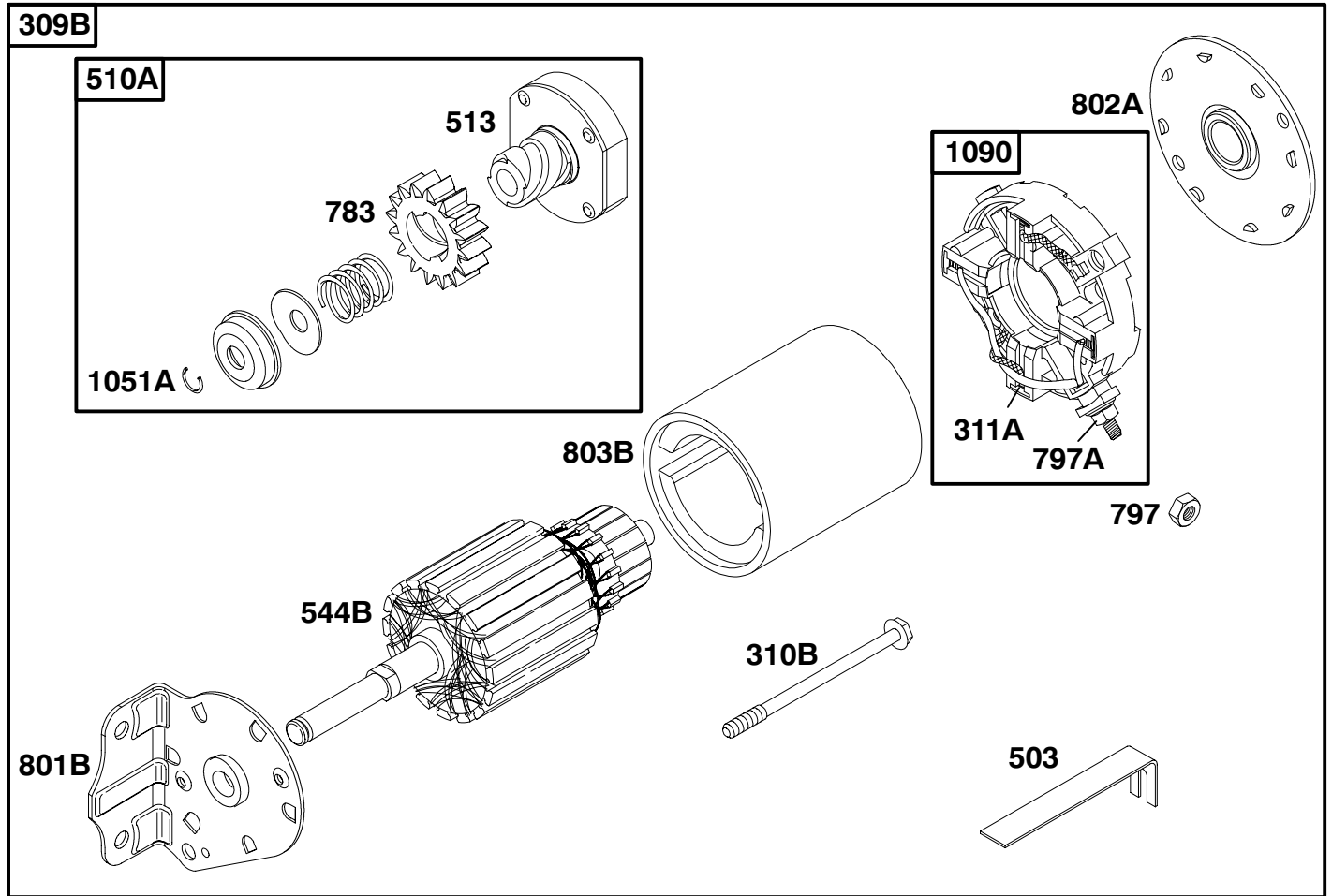
354400 to 354499



REF. NO.	PART NO.	DESCRIPTION	REF. NO.	PART NO.	DESCRIPTION	REF. NO.	PART NO.	DESCRIPTION
309A		Starter Motor (For Replacement Starter Motor, See Ref 309, Previous Page)	413	693587	Nut (Starter Motor)	797A	693167	Nut (Brush Retainer)
310A	690323	Bolt (Starter Motor)	510	496881	Starter Drive	801A	808777	Drive Cap
311A	497608	Brush Set	544A	693548	Starter Armature	802A	497607	End Cap
			697	805247	Screw (Drive Cap)	803A	693547	Starter Housing
			797	92278	Nut (Brush Retainer)	1051	691124	Retaining Ring
						1090	497605	Brush Retainer

★ Included in Engine Gasket Set-Ref. No. 358.

Included in Valve Gasket Set-Ref. No.1095.



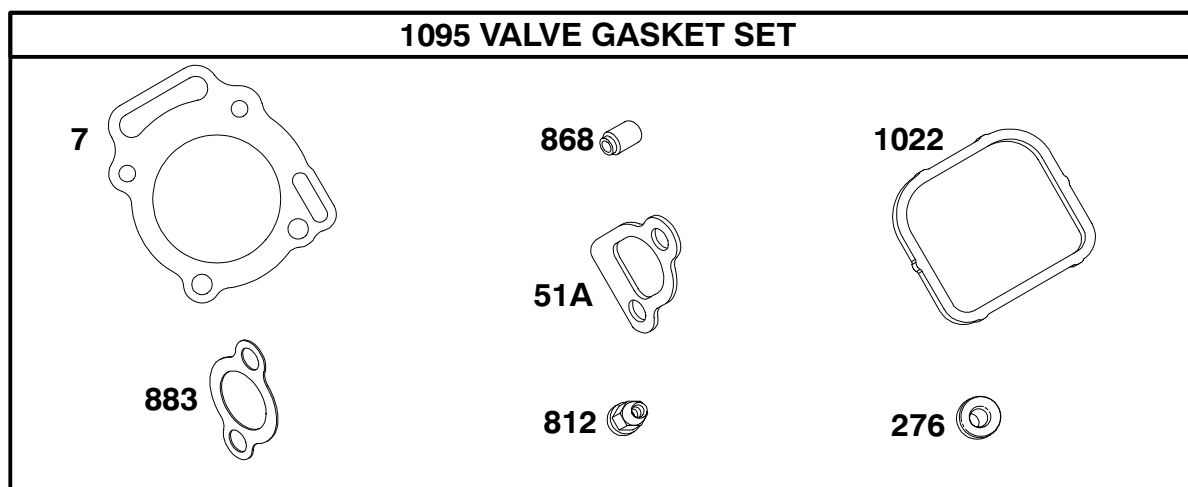
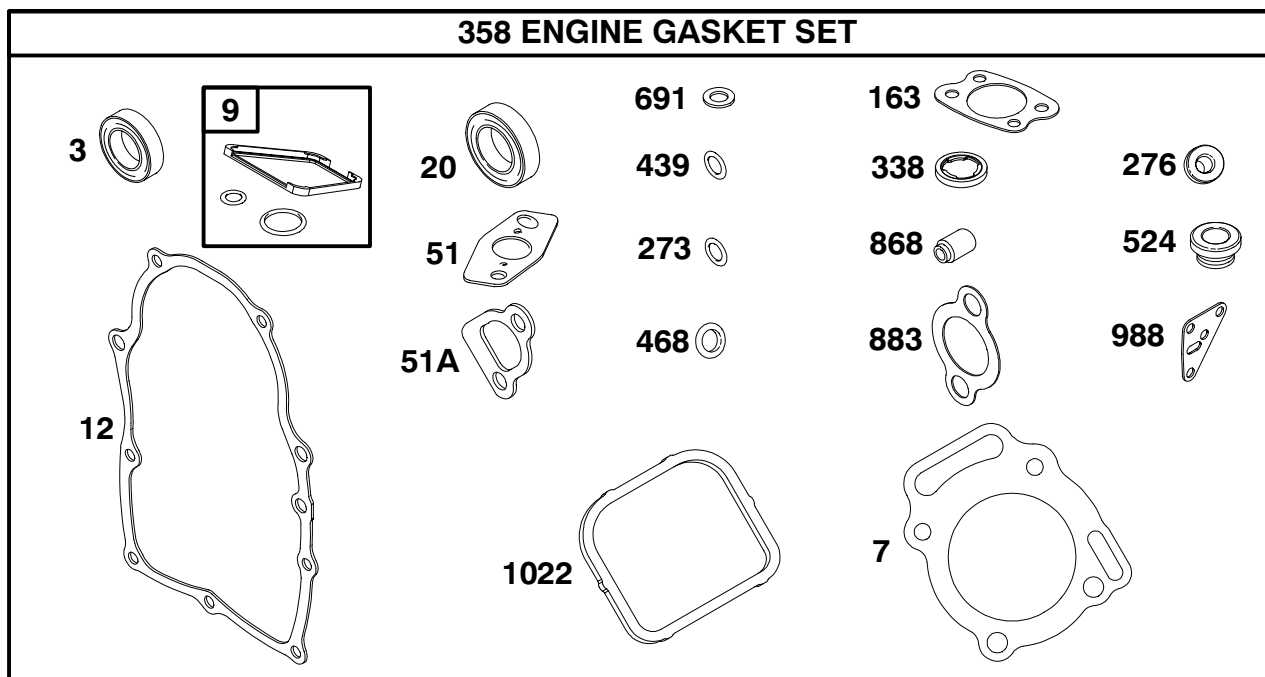
697

REF. NO.	PART NO.	DESCRIPTION	REF. NO.	PART NO.	DESCRIPTION	REF. NO.	PART NO.	DESCRIPTION
309B	499521	Starter Motor	544B		Starter Armature (Served By 499521 Starter Motor Only)	797A	693167	Nut (Brush Retainer)
310B	691263	Bolt (Starter Motor)	697	805247	Screw (Drive Cap)	801B	691429	Drive Cap
311A	497608	Brush Set	783	693059	Pinion Gear	802A	497607	End Cap
503	691532	Starter Strap	797	92278	Nut (Brush Retainer)	803B		Starter Housing (Served By 499521 Starter Motor Only)
510A	497606	Starter Drive				1051A	263080	Retaining Ring
513	398003	Drive Clutch				1090	497605	Brush Retainer

★ Included in Engine Gasket Set-Ref. No. 358.

Included in Valve Gasket Set-Ref. No.1095.

354400 to 354499



REF. NO.	PART NO.	DESCRIPTION	REF. NO.	PART NO.	DESCRIPTION	REF. NO.	PART NO.	DESCRIPTION
3	★805101	Oil Seal (Magneto Side)	273	★690681	O-Ring Seal (Oil Pump)	524	★693172	Dipstick Tube Seal
7	★690888	Cylinder Head Gasket	276	★ 805420	Sealing Washer	691	★690680	Governor Shaft Seal
9	★807688	Breather Gasket	338	★691312	Dipstick Gasket	812	805019	Nut (Rocker Arm Cover)
12	★806190	Crankcase Gasket	358	808704	Engine Gasket Set	868	★ 805094	Valve Seal
20	★805049	Oil Seal (PTO Side)	439	★692154	O-Ring Seal (Crankcase Cover)	883	★ 805024	Exhaust Gasket
51	★806457	Intake Gasket	468	★690690	O-Ring Seal (Oil Pump Screen)	988	★805250	Oil Adapter Gasket
51A	★ 805023	Intake Gasket				1022	★ 806039	Rocker Cover Gasket
163	★805655	Air Cleaner Gasket				1095	808391	Valve Gasket Set

★ Included in Engine Gasket Set-Ref. No. 358.

Included in Valve Gasket Set-Ref. No.1095.