

351400 to 351499

Illustrated Parts List

Model Series

351400 to 351499

TYPE NUMBER

0042, 0046, 0064,
0096, 0100, 0103,
0115, 0180, 0181,
0182, 0186, 1023,
1024, 1042, 1043,
1045, 1046, 1048,
1064, 1074, 1075,
1076, 1077, 1078,
1079, 1096, 1100,
1102, 1103, 1115,
1117, 1118, 1119,
1120, 1122, 1123,
1126, 1130,

TYPE NUMBERS

1131, 1138, 1139,
1140, 1141, 1170,
1171, 1172, 1173,
1176, 1180, 1181,
1182, 1183, 1186,
1190, 1192, 1193,
1194, 1195, 1196,
1197, 1203, 1221,
1228, 1229, 1233,
1234, 1235, 1236,
1239, 1244, 1245,
1246, 1249, 1251,
1256.

TO FIND

**THE CORRECT NUMBER OF THE PART YOU NEED:
FOLLOW THE INSTRUCTIONS BELOW**

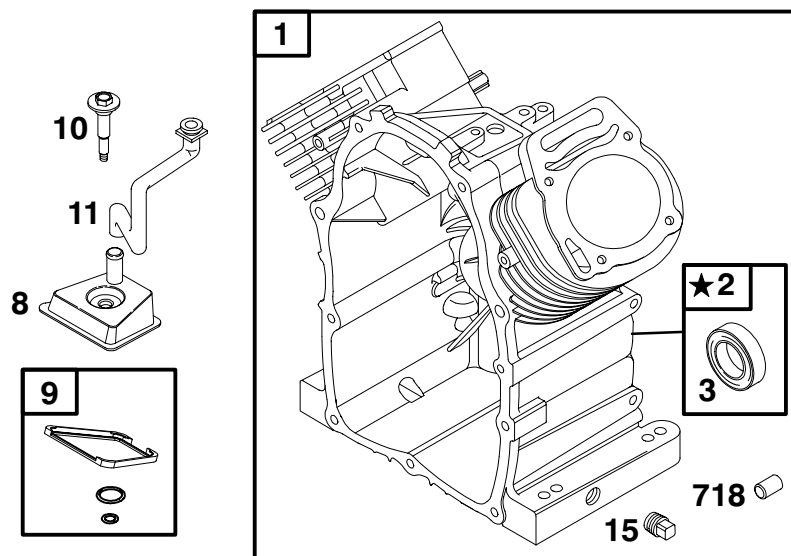
- A. Refer to Engine Model, Type and Code Number that is stamped on the blower housing of engine. Engine type numbers such as 0123 01 are listed only as 0123 in most instances. The two digits (01 or 02, etc.) to the right of the space may be required for more accurate parts identification in some instances. Select the Illustrated Parts List covering the correct Model Series and Type Number.
- B. Refer to the Illustrations and compare the original part with Illustration. The number next to the illustration is the Reference Number. Assemblies include all parts shown in frames. All parts shown in assembly frames having individual reference numbers can be purchased separately.
- C. After the Reference Number has been identified, refer to the Numerical text, where Reference and Primary Part Number are listed. **THE PRIMARY PART IS USED ON ALL TYPE NUMBERS EXCEPT THOSE TYPE NUMBERS UNDER "NOTE."**
- D. If a "Note" appears below the Primary Part Number, it means that this part differs from the Primary Part for certain types. If your Type number is listed under "Note," order the part referred to at the "Note."
- E. If your Engine Type Number does not appear after any part number listed under "Note," use the Primary Part Number.
- F. For Engine Type Numbers not covered by this book, check other Parts Lists having the same engine model or contact your source of supply.

PRINTED IN U.S.A.



COPYRIGHT by BRIGGS & STRATTON CORPORATION
All rights reserved. No part of this material may be reproduced or transmitted, in any form or by any means, electronic or mechanical, including photocopying, recording or by any information storage and retrieval system, without permission in writing from Briggs & Stratton Corporation.

351400 to 351499



★ **REQUIRES SPECIAL TOOLS TO INSTALL. SEE REPAIR INSTRUCTION MANUAL.**

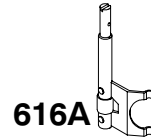
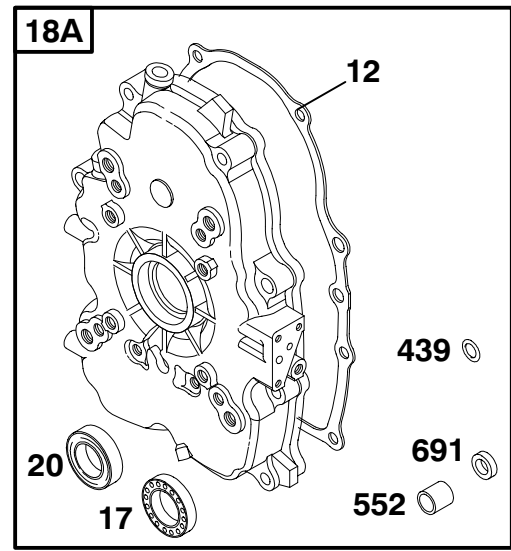
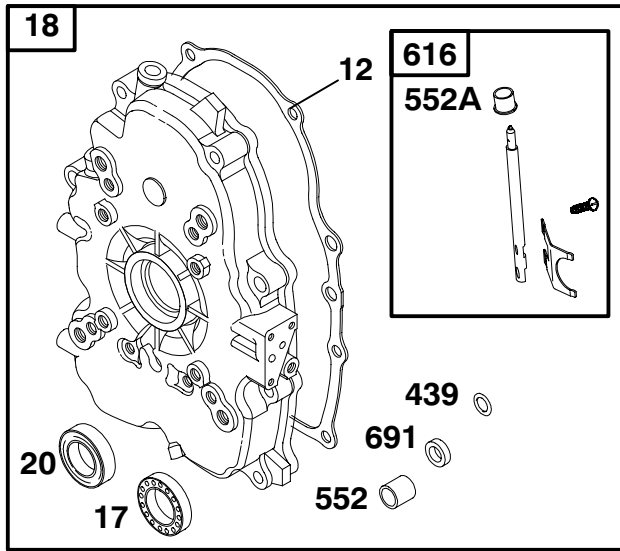
1019 LABEL KIT

1058 OWNER'S MANUAL

REF. NO.	PART NO.	DESCRIPTION	REF. NO.	PART NO.	DESCRIPTION	REF. NO.	PART NO.	DESCRIPTION
1	692544	Cylinder Assembly (Used After Code Date 97043000). ----- Note ----- 690903 Cylinder Assembly (Used Before Code Date 97050100).	2	808534	Bushing/Seal Kit (Magneto Side) (Used After Code Date 97043000). ----- Note ----- 807687 Bushing/Seal Kit (Magneto Side) (Used Before Code Date 97050100).	10	690751	Screw (Breather Assembly)
			3	★805101	Oil Seal (Magneto Side)	11	691535	Breather Tube
			8	692095	Breather Assembly	15	690946	Oil Drain Plug
			9	★807688	Breather Gasket	572	690686	Breather Baffle
						718	690684	Locating Pin
						1019	808158	Label Kit
						1058	274275	Owner's Manual (Emission Engines) ----- Note ----- 272984 Owner's Manual (Non Emission Engines)

★ Included in Engine Gasket Set-Ref. No. 358.
● Included in Carburetor Overhaul Kit-Ref. No. 121.

Included in Valve Gasket Set-Ref. No. 1095.

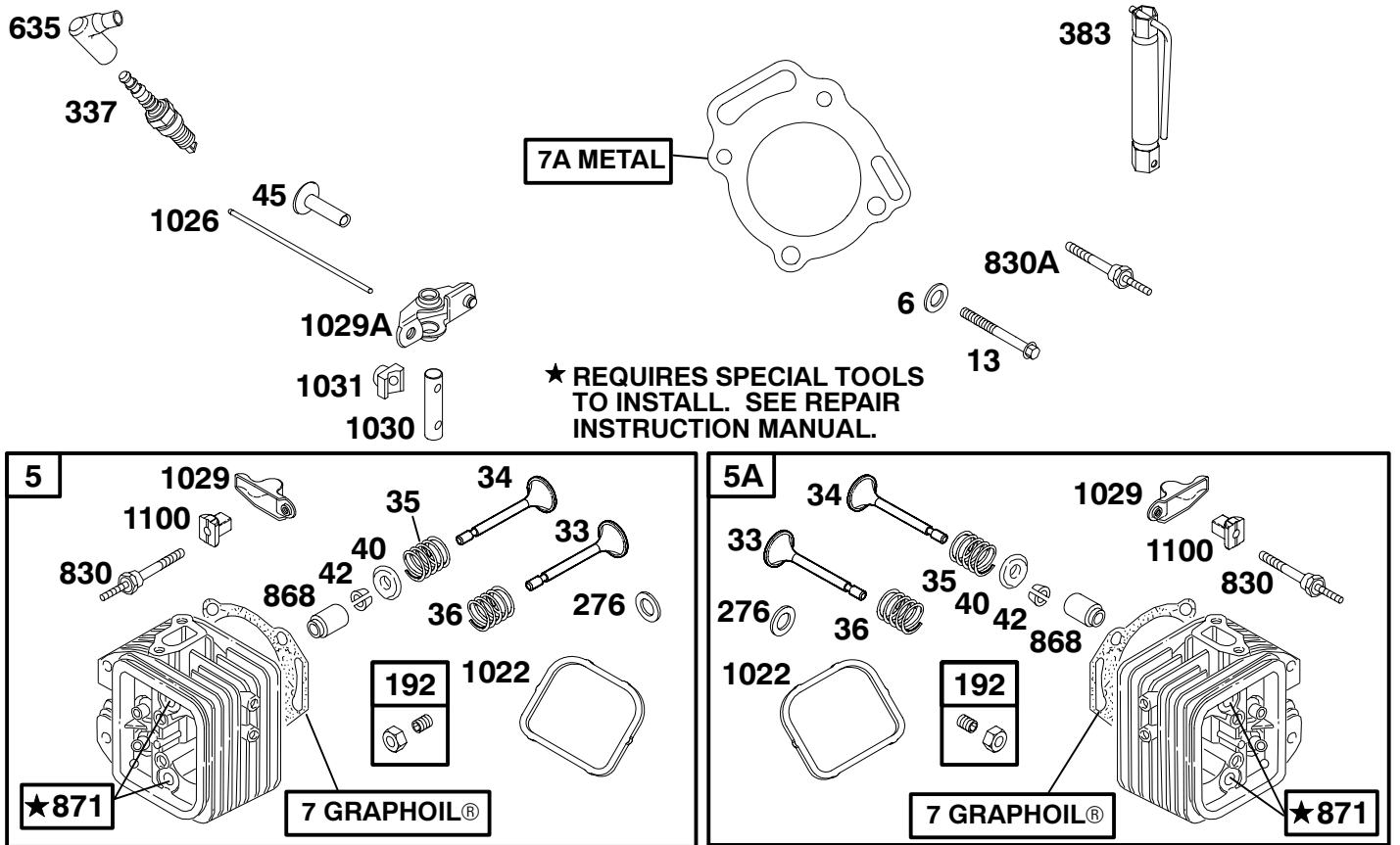


REF. NO.	PART NO.	DESCRIPTION	REF. NO.	PART NO.	DESCRIPTION	REF. NO.	PART NO.	DESCRIPTION
12	★806190	Crankcase Gasket (Used After Code Date 97043000).	20	★805049	Oil Seal (PTO Side)	552	690701	Governor Crank Bushing
		----- Note -----	22	692540	Screw (Crankcase Cover)	552A	806686	Governor Crank Bushing
		★805112 Crankcase Gasket (Used Before Code Date 97050100).	439	★692154	O-Ring Seal (Crankcase Cover) (Used After Code Date 97043000).	552B	690702	Governor Crank Bushing
17	691541	Ball Bearing			----- Note -----	691	690680	Governor Shaft Seal
18	808848	Crankcase Cover (Used After Code Date 99072100).			★805198 O-Ring Seal (Crankcase Cover) (Used Before Code Date 97050100).	615	691550	Governor Shaft Retainer
18A	808510	Crankcase Cover (Used Before Code Date 99072200).				616	806685	Governor Crank Bushing (Used After Code Date 99072000).
						616A	690899	Governor Crank Bushing (Used Before Code Date 99072100).
						691	690680	Governor Shaft Seal

★ Included in Engine Gasket Set-Ref. No. 358.
● Included in Carburetor Overhaul Kit-Ref. No. 121.

Included in Valve Gasket Set-Ref. No. 1095.

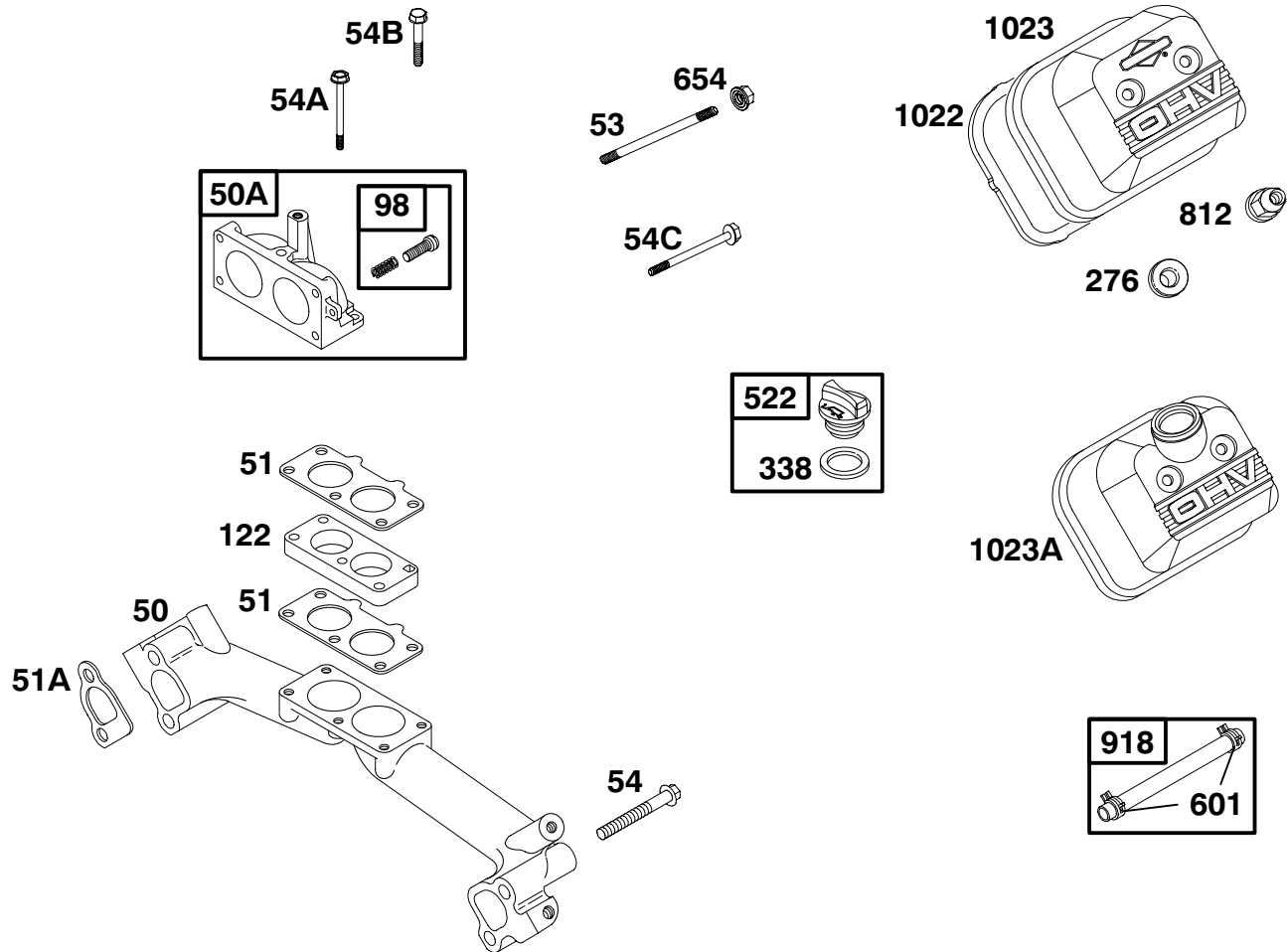
351400 to 351499



REF. NO.	PART NO.	DESCRIPTION	REF. NO.	PART NO.	DESCRIPTION	REF. NO.	PART NO.	DESCRIPTION
5	808383	Cylinder Head (Cylinder 1)	13	805097	Screw (Cylinder Head)	830A	691497	Stud (Rocker Arm) (Used Before Code Date 96040100).
5A	808384	Cylinder Head (Cylinder 2)	33	807681	Exhaust Valve	868	805094	Valve Seal
6	805193	Washer (Cylinder Head) (Used Before Code Date 94050100).	34	807680	Intake Valve	871	805084	Guide Bushing
7 ★	690888	Cylinder Head Gasket (Used After Code Date 96033100).	35	805937	Valve Spring (Intake)	1022 ★	806039	Rocker Cover Gasket
7A ★	805653	Cylinder Head Gasket (Used Before Code Date 96040100).	36	805937	Valve Spring (Exhaust)	1026	805352	Push Rod (Steel; Intake)
			40	805092	Valve Retainer			----- Note -----
			42	807683	Valve Keeper			805617 Push Rod (Aluminum; Exhaust)
			45	262679	Valve Tappet	1029	691543	Rocker Arm (Used After Code Date 96033100).
			192	807623	Rocker Arm Adjuster	1029A	808096	Rocker Arm (Used Before Code Date 96040100).
			276 ★	805420	Sealing Washer	1030	691496	Rocker Arm Support
			337	491055	Spark Plug	1031	690693	Rocker Arm Shaft
			383	19374	Spark Plug Wrench	1100	690973	Rocker Arm Pivot
			635	805529	Spark Plug Boot			
			830	691544	Stud (Rocker Arm) (Used After Code Date 96033100).			

★ Included in Engine Gasket Set-Ref. No. 358.
 ● Included in Carburetor Overhaul Kit-Ref. No. 121.

Included in Valve Gasket Set-Ref. No. 1095.

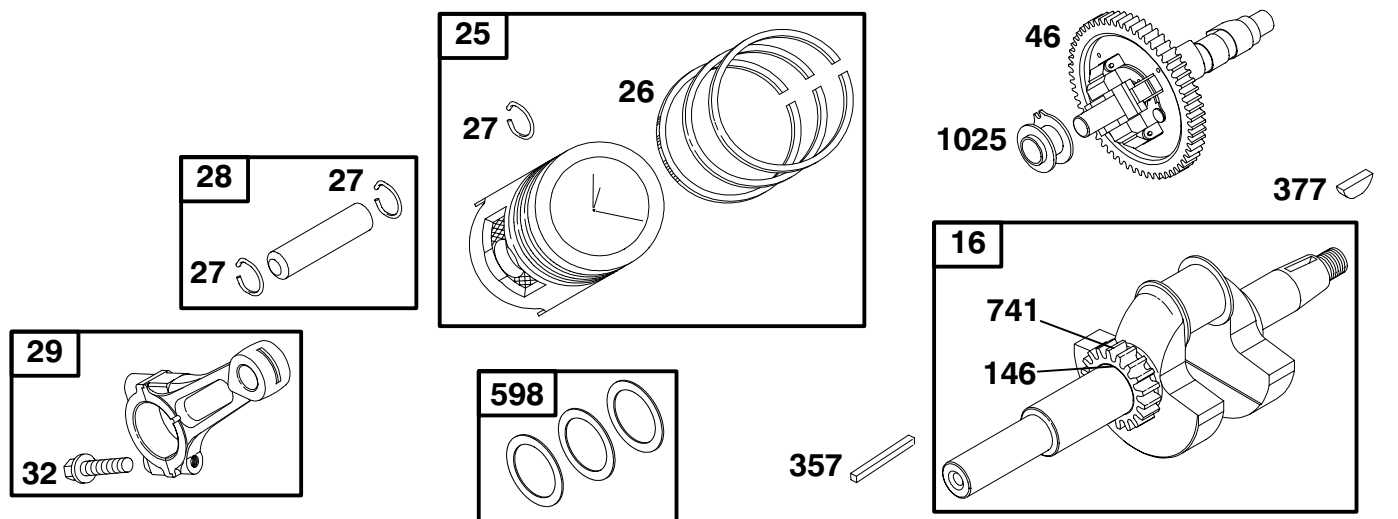


REF. NO.	PART NO.	DESCRIPTION	REF. NO.	PART NO.	DESCRIPTION	REF. NO.	PART NO.	DESCRIPTION
50	690886	Intake Manifold	98	808177	Idle Speed Kit	1023	691494	Rocker Cover
50A	690925	Intake Manifold	122	690870	Carburetor Spacer			----- Note -----
51	★690950	Intake Gasket	276	★805420	Sealing Washer			691558 Rocker Cover
51A	★805023	Intake Gasket	338	691312	Dipstick Gasket			Used on Type No(s).
53	690746	Stud (Carburetor)	522	491832	Dipstick/Fill Plug			1117, 1119, 1120,
54	690676	Screw (Intake Manifold)	601	93053	Hose Clamp			1123, 1126, 1130,
54A	691537	Screw (Intake Manifold)	654	690939	Nut (Carburetor)			1138, 1139, 1141,
54B	691492	Screw (Intake Manifold)	812	805019	Nut (Rocker Arm Cover)			1172, 1173, 1183,
54C	690866	Screw (Intake Manifold)	918	393815	Vacuum Hose (Cut to Required Length)			1192, 1193, 1194,
			1022	★806039	Rocker Cover Gasket	1023A	690910	Rocker Cover
								----- Note -----
								690758 Rocker Cover
								Used on Type No(s).
								1117, 1123, 1126,
								1192, 1197, 1203,
								1234.

★ Included in Engine Gasket Set-Ref. No. 358.
 ● Included in Carburetor Overhaul Kit-Ref. No. 121.

Included in Valve Gasket Set-Ref. No. 1095.

351400 to 351499

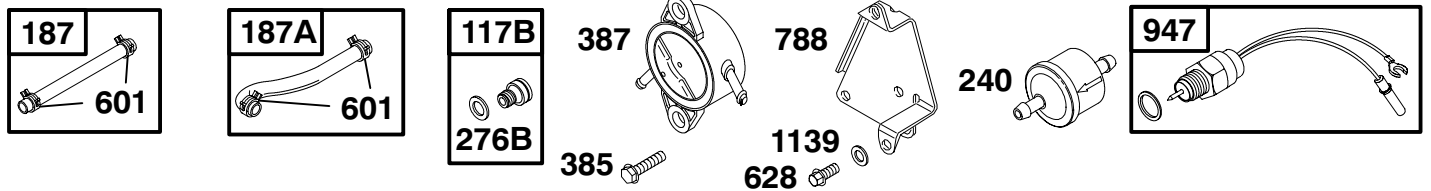
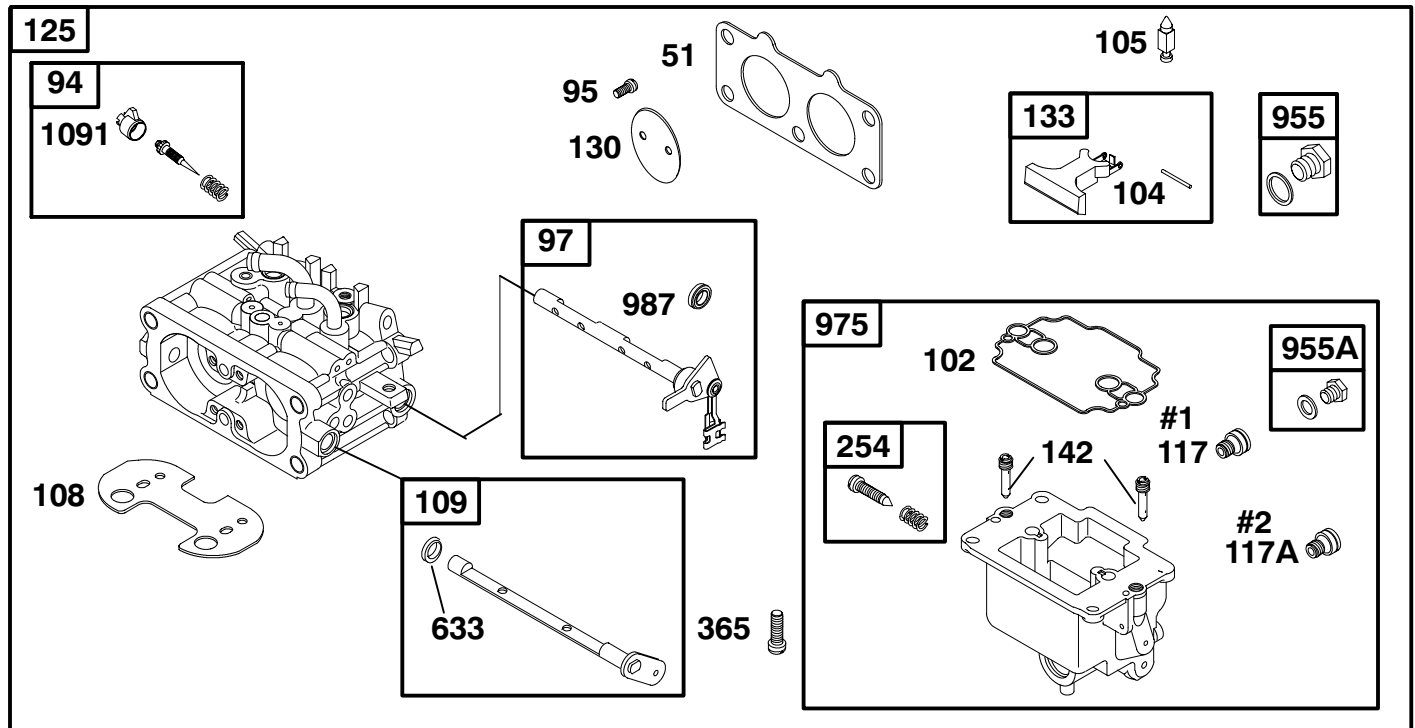


REF. NO.	PART NO.	DESCRIPTION	REF. NO.	PART NO.	DESCRIPTION	REF. NO.	PART NO.	DESCRIPTION																																	
16	692171	Crankshaft (Used After Code Date 97043000). ----- Note ----- 807778 Crankshaft (Used Before Code Date 97050100). 691139 Crankshaft Used on Type No(s). 1048. 693073 Crankshaft Used on Type No(s). 1171. 692170 Crankshaft (Used After Code Date 97043000). Used on Type No(s). 1077, 1190. 807777 Crankshaft (Used Before Code Date 97050100). Used on Type No(s). 1077, 1190. 692173 Crankshaft (Used After Code Date 97043000). Used on Type No(s). 1042, 1043, 1078, 1115, 1131, 1139, 1140, 1170, 1172, 1193, 1236, 1256. 807780 Crankshaft (Used Before Code Date 97050100). Used on Type No(s). 0042, 0115, 1042, 1115, 1131.	25	808326	Piston Assembly (Standard) ----- Note ----- 808336 Piston Assy. (.010 Oversize) 808337 Piston Assy. (.020 Oversize) 808338 Piston Assy. (.030 Oversize)	26	807889	Ring Set (Standard) ----- Note ----- 807994 Ring Set (.010 Oversize) 807995 Ring Set (.020 Oversize) 807996 Ring Set (.030 Oversize)	27	690683	Piston Pin Lock	28	807886	Piston Pin	29	807900	Connecting Rod (Standard) ----- Note ----- 807803 Connecting Rod (.020 Undersize)	32	690698	Screw (Connecting Rod)	46	690927	Camshaft	146	94196	Timing Key	357	91540	Drive Pulley Key	377	806066	Woodruff Key (Used After Code Date 95022800). ----- Note ----- 808095 Woodruff Key (Used Before Code Date 95030100).	598	807625	End Play Shim	741	805675	Timing Gear ----- Note ----- 691530 Timing Gear Used on Type No(s). 1045, 1048, 1171, 1256.	1025	690689	Governor Spool

★ Included in Engine Gasket Set-Ref. No. 358.

● Included in Carburetor Overhaul Kit-Ref. No. 121.

Included in Valve Gasket Set-Ref. No. 1095.



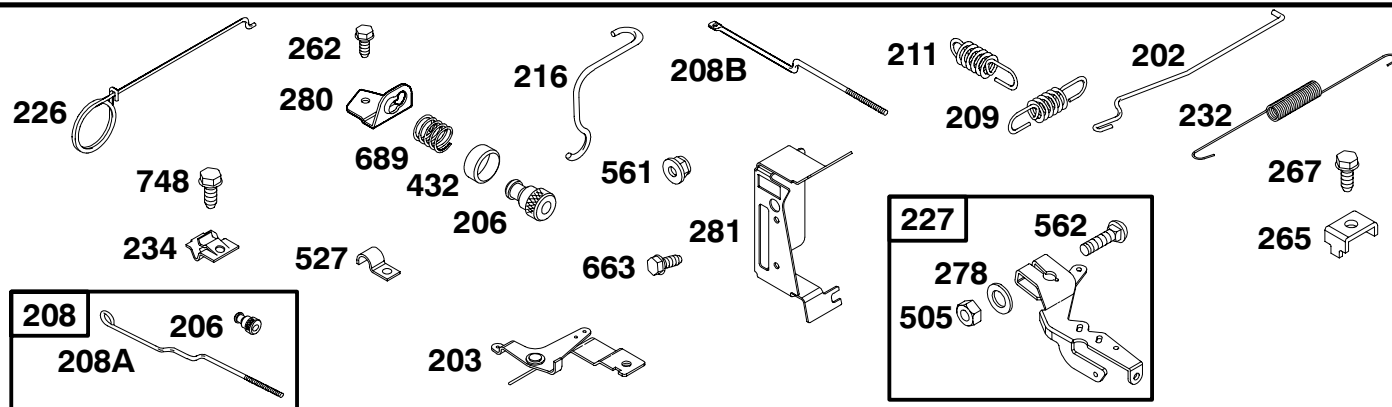
REF. NO.	PART NO.	DESCRIPTION	REF. NO.	PART NO.	DESCRIPTION	REF. NO.	PART NO.	DESCRIPTION	
51	★690950	Intake Gasket	117B	808406	Main Jet (High Altitude)	601	93053	Hose Clamp	
94	●808257	Idle Mixture Kit	125	808278	Carburetor	628	806660	Screw (Fuel Pump Bracket)	
95	690718	Screw (Throttle Valve)	130	690884	Throttle Valve	633	●690722	Choke Shaft Seal	
97	808335	Throttle Shaft	133	808180	Carburetor Float	788	691559	Fuel Pump Bracket	
102	●693711	Carburetor Body Gasket	142	●691545	Carburetor Nozzle	947	808624	Fuel Solenoid	
104	●690882	Float Hinge Pin	----- Note -----			955	808176	Carburetor Plug	
105	808798	Float Needle Valve (Used After Code Date 99031600).			806063	Carburetor Nozzle (High Altitude)	955A	807723	Carburetor Plug
		----- Note -----	187	296004	Fuel Line	975	808179	Float Bowl	
		●805547 Float Needle Valve (Used Before Code Date 99031700).	187A	691049	Fuel Line	987	●806070	Throttle Shaft Seal (Used After Code Date 94123100).	
108	690883	Choke Valve	240	493629	Fuel Filter	----- Note -----			
109	808277	Choke Shaft	254	808178	Carburetor Bowl Drain	●808183 Throttle Shaft Seal (Used Before Code Date 95010100).			
117	●690862	Main Jet (For Cylinder 1)	276B	690724	Sealing Washer	1091	●691516	Limiter Cap	
117A	●690880	Main Jet (For Cylinder 2)	365	690885	Screw (Carburetor)	1139	806497	Washer (Fuel Pump Bracket)	
			385	693169	Screw (Fuel Pump)				
			387	808656	Fuel Pump				

★ Included in Engine Gasket Set-Ref. No. 358.

● Included in Carburetor Overhaul Kit-Ref. No. 121.

Included in Valve Gasket Set-Ref. No. 1095.

351400 to 351499

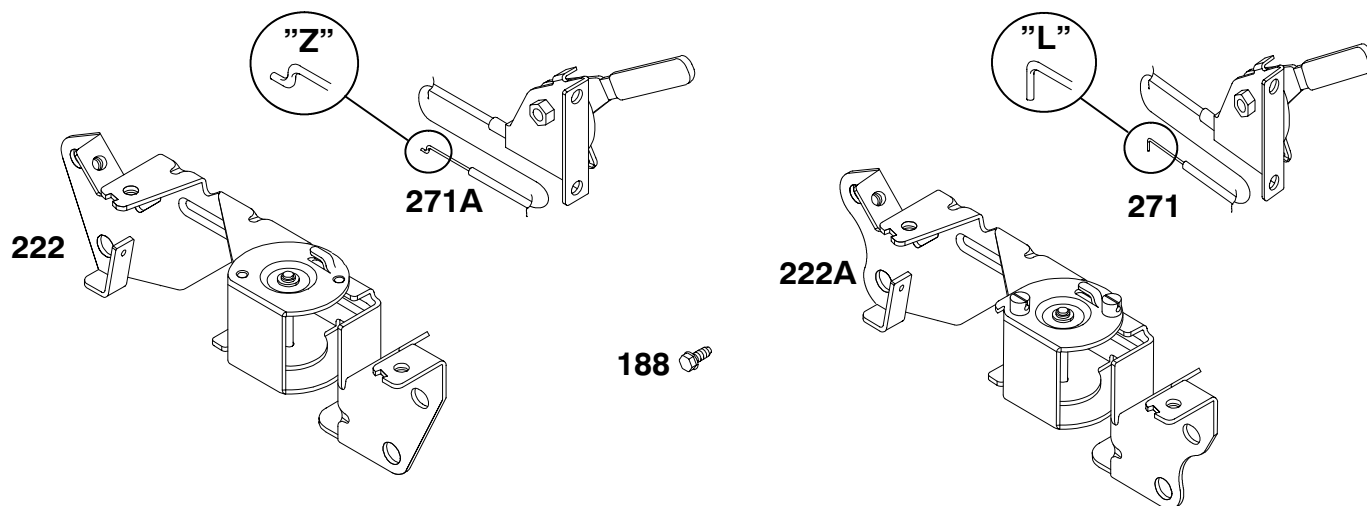


REF. NO.	PART NO.	DESCRIPTION	REF. NO.	PART NO.	DESCRIPTION	REF. NO.	PART NO.	DESCRIPTION
202	691536	Mechanical Governor Link		805464	Governor Spring	216	691542	Choke Link
203	690923	Bell Crank			Used on Type No(s). 1182.	226	805509	Hand Choke Rod
206	691244	Governor Adjusting Nut		691546	Governor Spring (Used After Code Date 95053100). Used on Type No(s). 1042, 1078, 1170, 1256.	227	690236	Governor Control Lever
208	808453	Governor Control Rod			Used on Type No(s). 1042, 1078, 1170, 1256.	232	691538	Governor Link Spring
208A	691549	Governor Control Rod (Used Before Code Date 94120200).			Used on Type No(s). 0042, 1042, 1078, 1170.	234	221372	Control Rod Clip
208B	805471	Governor Control Rod (Used Before Code Date 94120200).			Used on Type No(s). 0042, 1042, 1078, 1170.	262	805762	Screw (Rod Bracket)
209	805460	Governor Spring	211	805453	Governed Idle Spring	265	221535	Casing Clamp
		----- Note -----			----- Note -----	267	805762	Screw (Casing Clamp)
	691506	Governor Spring (Used Before Code Date 95060100). Used on Type No(s). 0115, 1043, 1115, 1131, 1139, 1140, 1172, 1193, 1236.		805450	Governed Idle Spring (Used Before Code Date 95060100). Used on Type No(s). 0042, 1042, 1078, 1170.			----- Note -----
	690709	Governor Spring (Used on Type No(s). 0115, 1043, 1115, 1131, 1139, 1140, 1172, 1193, 1236.			Used on Type No(s). 0115, 1043, 1115, 1172, 1193.	278	690237	Washer (Governor Control Lever)
	691507	Governor Spring (Used on Type No(s). 1233.		690707	Governed Idle Spring (Used After Code Date 95053100). Used on Type No(s). 1042, 1078, 1170, 1256.	280	691526	Rod Bracket
	690710	Governor Spring (Used on Type No(s). 0182.			Used on Type No(s). 0115, 1043, 1115, 1172, 1193.	281	690742	Control Panel
	805462	Governor Spring (Used on Type No(s). 0064, 1064.		691504	Governed Idle Spring (Used After Code Date 95053100). Used on Type No(s). 1043, 1115, 1131, 1139, 1140, 1172, 1193, 1236.	432	691509	Spring Cap
						505	690238	Nut (Governor Control Lever)
						527	690423	Tube Clamp
						561	690713	Nut (Control Lever)
						562	690239	Bolt (Governor Control Lever)
						663	805762	Screw (Control Panel)
						689	691272	Friction Spring
						748	805762	Screw (Control Rod Clip)

★ Included in Engine Gasket Set-Ref. No. 358.

● Included in Carburetor Overhaul Kit-Ref. No. 121.

Included in Valve Gasket Set-Ref. No. 1095.



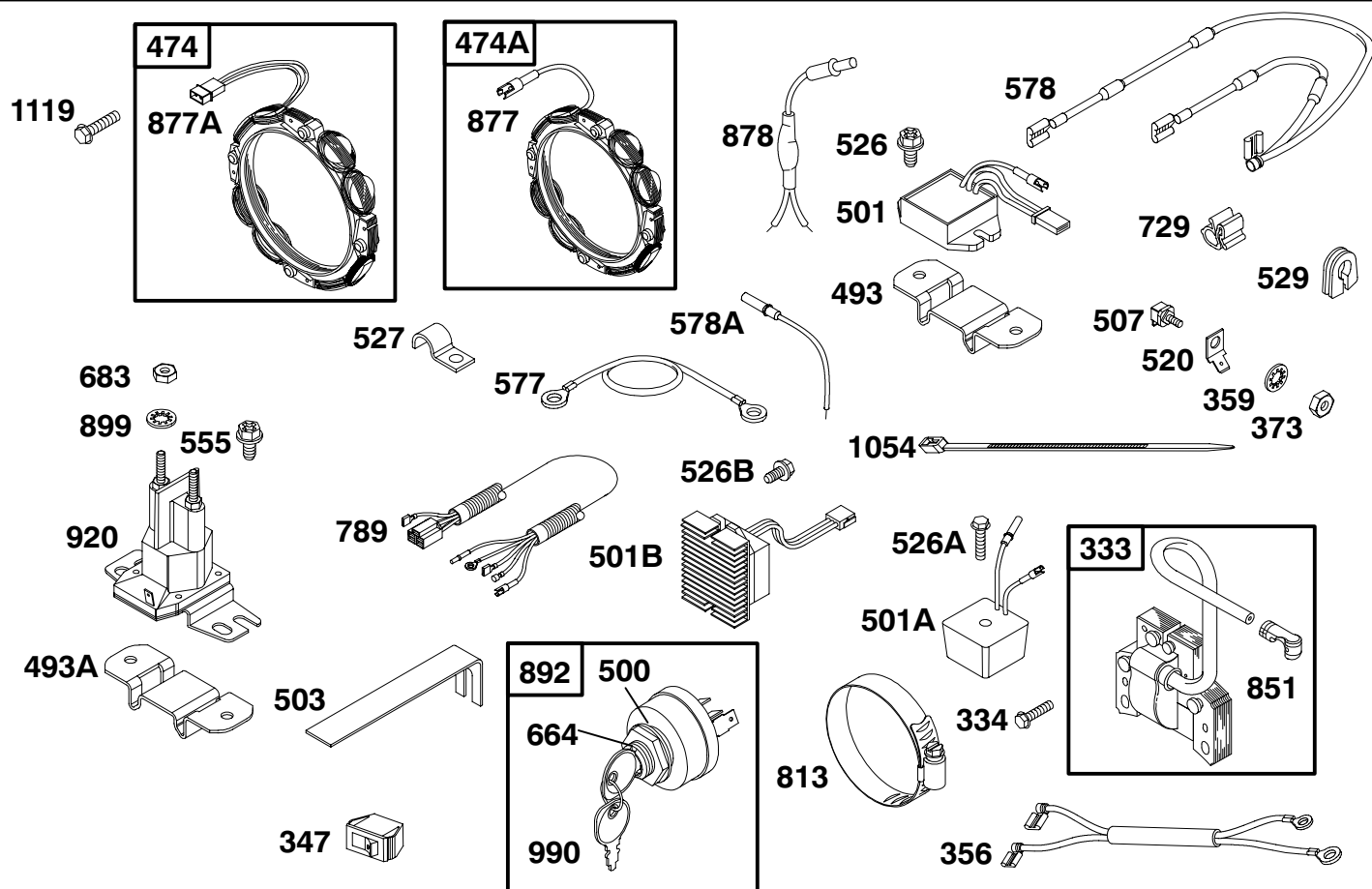
REF. NO.	PART NO.	DESCRIPTION	REF. NO.	PART NO.	DESCRIPTION	REF. NO.	PART NO.	DESCRIPTION
188	805025	Screw (Control Bracket)	222A	690918	Control Bracket (Used With Control Lever and/or Wire With a "L" Formed End)	271A	692541	Control Lever (Cable Wire With a "Z" Formed End)
222	808454	Control Bracket (Used With Control Lever and/or Wire With a "Z" Formed End) ----- Note ----- 807610 Control Bracket (Used With Control Lever and/or Wire With a "Z" Formed End) (Used Before Code Date 94120100).	271	692105	Control Lever (Cable Wire With a "L" Formed End)			

★ Included in Engine Gasket Set-Ref. No. 358.

● Included in Carburetor Overhaul Kit-Ref. No. 121.

Included in Valve Gasket Set-Ref. No. 1095.

351400 to 351499

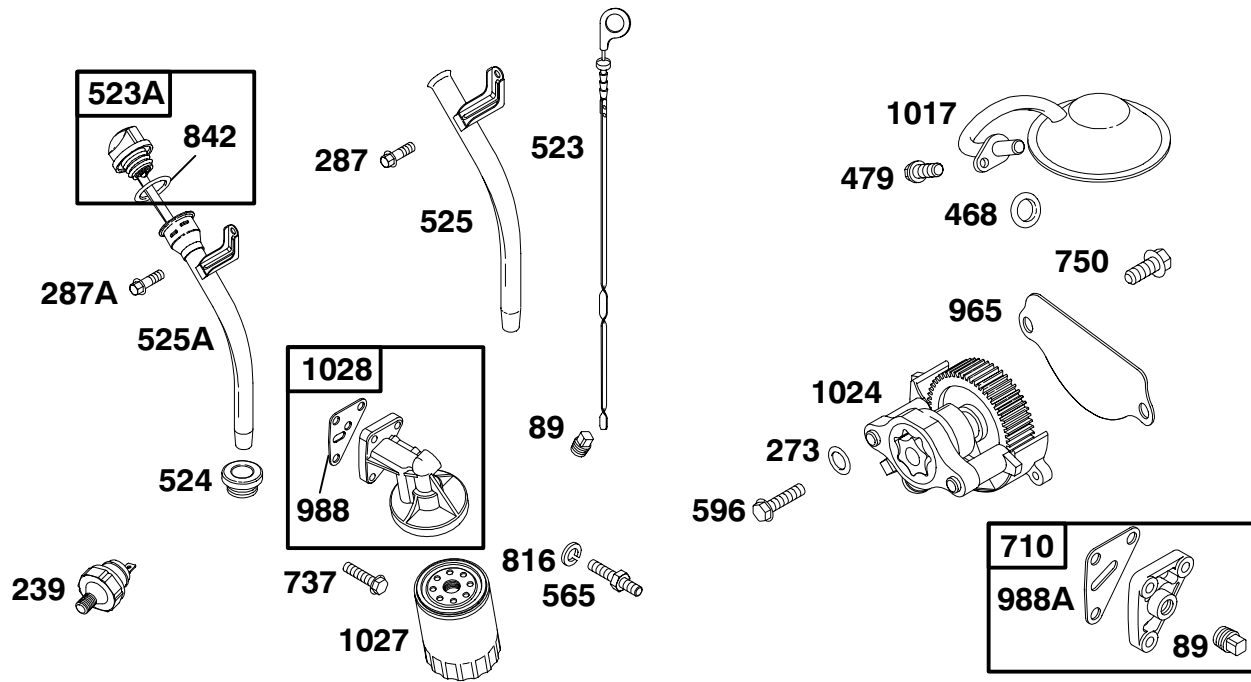


REF. NO.	PART NO.	DESCRIPTION	REF. NO.	PART NO.	DESCRIPTION	REF. NO.	PART NO.	DESCRIPTION
333	492341	Magneto Armature	507	398525	Insulator	789	493624	Wiring Harness
334	805407	Screw (Magneto Armature)	520	691084	Ground Terminal	----- Note -----		
347	493521	Rocker Switch	526	805448	Screw (Regulator)	691578	Wiring Harness	
356	690809	Stop Wire	526A	810084	Screw (Regulator)	Used on Type No(s). 1045.		
359	691077	Washer (Ground Terminal)	526B	691547	Screw (Regulator)	813	690635	Clamp
373	90576	Nut (Ground Terminal)	527	690423	Tube Clamp	851	493880	Spark Plug Terminal
474	393295	Alternator	529	690744	Grommet	877	393537	Alternator Connector/ Wire
		----- Note -----	555	805448	Screw (Starter Solenoid)	877A	399916	Alternator Connector/ Wire
		691364 Alternator Used on Type No(s). 1045.	577	690795	Starter Cable	878	392606	Alternator Harness
474A	392595	Alternator	578	493792	Wire Assembly	892	493625	Key Switch
493	224303	Mounting Bracket	578A	393422	Wire Assembly	899	691077	Washer (Starter Solenoid)
493A	691177	Mounting Bracket	664	691087	Nut (Key Switch)	920	807829	Starter Solenoid
500	691086	Washer (Key Switch)	683	92278	Nut (Starter Solenoid)	990	392832	Key Set
501	394890	Regulator	729	690586	Wire Clip	1054	280275	Cable Tie
501A	491546	Regulator				1119	691552	Screw (Alternator)
501B	691573	Regulator						
503	691532	Starter Strap						

★ Included in Engine Gasket Set-Ref. No. 358.

● Included in Carburetor Overhaul Kit-Ref. No. 121.

Included in Valve Gasket Set-Ref. No. 1095.



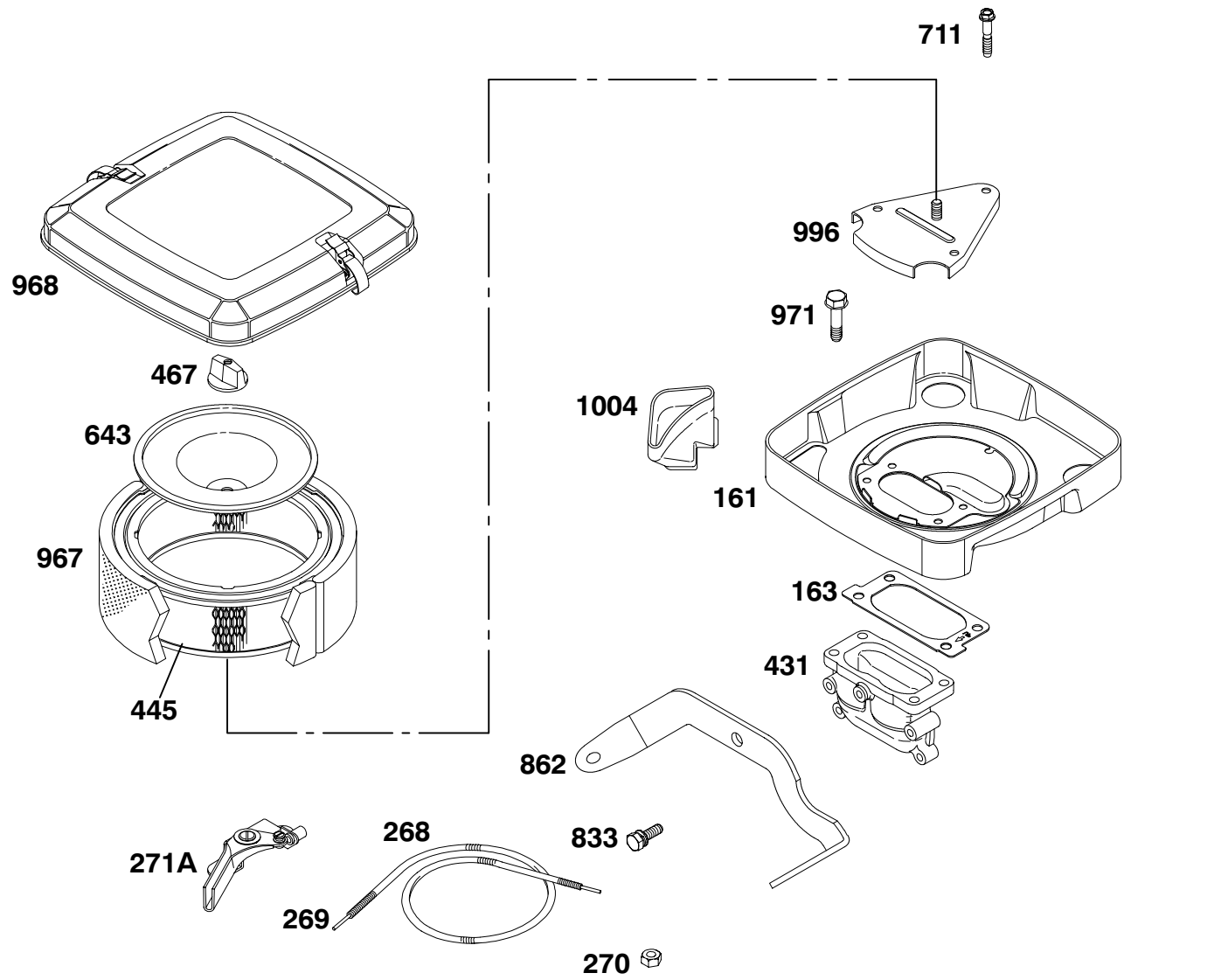
REF. NO.	PART NO.	DESCRIPTION	REF. NO.	PART NO.	DESCRIPTION	REF. NO.	PART NO.	DESCRIPTION
89	805059	Oil Plug	525	693174	Dipstick Tube	988A	690687	Oil Adapter Gasket
239	690233	Oil Pressure Switch	525A	690897	Dipstick Tube	1017	690900	Oil Pump Screen
273	★690681	O-Ring Seal (Oil Pump)			----- Note ----- 690907 Dipstick Tube Used on Type No(s). 1192, 1203, 1233.	1024	693185	Oil Pump
287	805247	Screw (Dipstick Tube)				1027	492932	Oil Filter (2 1/4" Long) (Used After Code Date 95020500).
287A	805177	Screw (Dipstick Tube)	565	690682	Stud (Oil Filter Adapter)			----- Note ----- 491056 Oil Filter (3-1/4" Long) (Used Before Code Date 95020600).
468	★690690	O-Ring Seal (Oil Pump Screen)	596	691492	Screw (Oil Pump)	1028	808235	Oil Filter Adapter ----- Note ----- 808033 Oil Filter Adapter (For Horizontal Mounted Oil Filter)
479	692537	Screw (Oil Pump Screen)	710	807689	Oil Filter Cover			
523	693175	Dipstick	737	690679	Screw (Oil Filter Adapter)			
523A	807977	Dipstick (Used Before Code Date 98060100).	750	692539	Screw (Oil Pump Cover)			
524	693172	Dipstick Tube Seal (Used After Code Date 98053100). ----- Note ----- 281370 Dipstick Tube Seal (Used Before Code Date 98060100).	816	690706	Washer (Oil Filter Adapter)			
			842	805386	Seal-Dipstick/Tube			
			965	690745	Oil Pump Cover			
			988	★805250	Oil Adapter Gasket			

★ Included in Engine Gasket Set-Ref. No. 358.

● Included in Carburetor Overhaul Kit-Ref. No. 121.

Included in Valve Gasket Set-Ref. No. 1095.

351400 to 351499

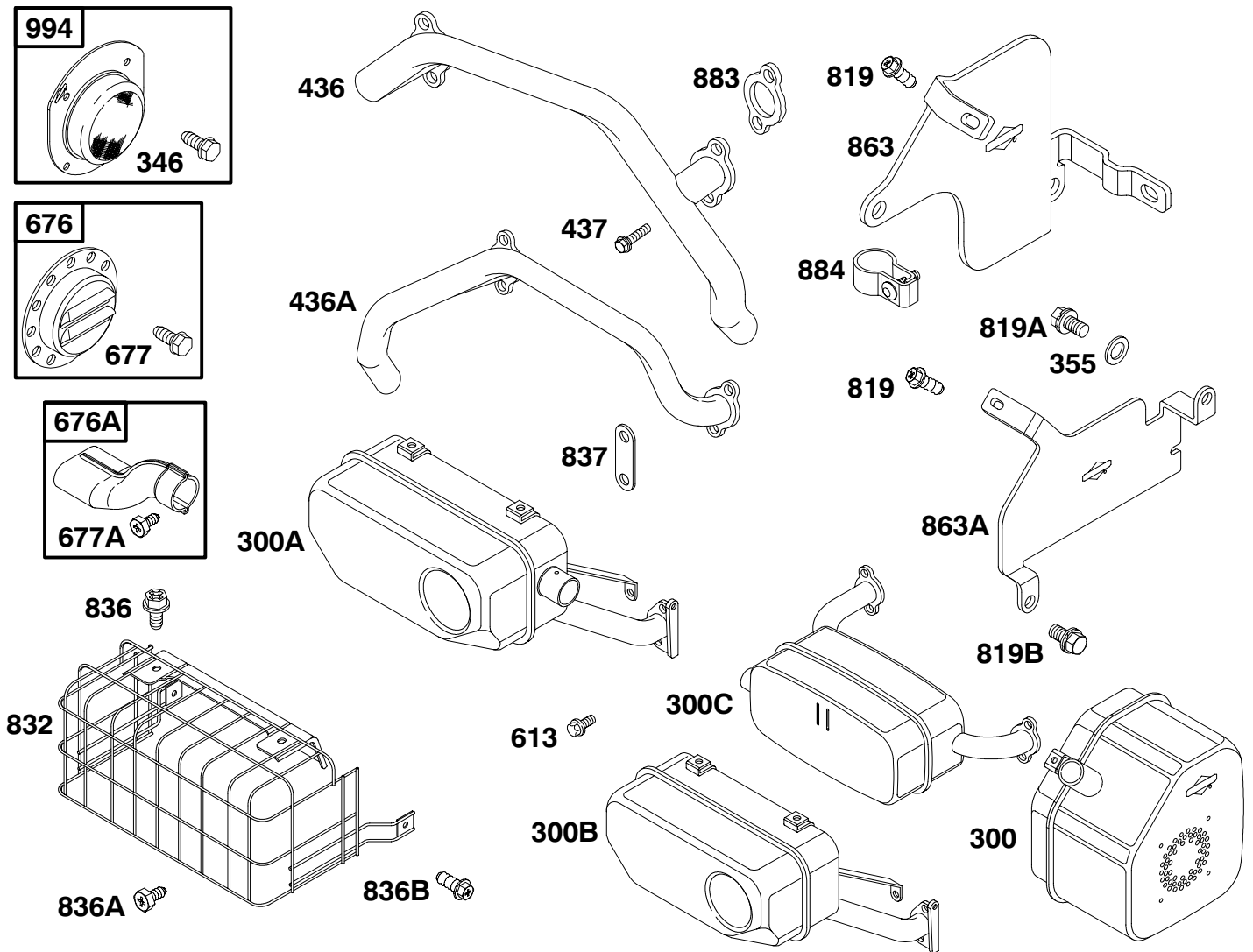


REF. NO.	PART NO.	DESCRIPTION	REF. NO.	PART NO.	DESCRIPTION	REF. NO.	PART NO.	DESCRIPTION
161	690928	Air Cleaner Base	431	691534	Intake Elbow	862	691539	Cleaner Mounting Strap
163	★806013	Air Cleaner Gasket	445	394018	Air Cleaner Cartridge Filter	967	272490	Pre-Cleaner Filter
268	65616	Control Wire Casing (Cut to Required Length)	467	491875	Air Cleaner Knob	968	807862	Air Cleaner Cover
269	26633	Control Wire (Cut to Required Length)	643	805631	Air Filter Retainer	971	691492	Screw (Air Cleaner Base)
270	63426	Nut (Control Wire Casing)	711	690872	Screw (Carburetor Shield)	996	690917	Carburetor Shield
271A	290568	Control Lever	833	692539	Screw (Cleaner Mounting Strap)	1004	691540	Air Duct

★ Included in Engine Gasket Set-Ref. No. 358.

● Included in Carburetor Overhaul Kit-Ref. No. 121.

Included in Valve Gasket Set-Ref. No. 1095.

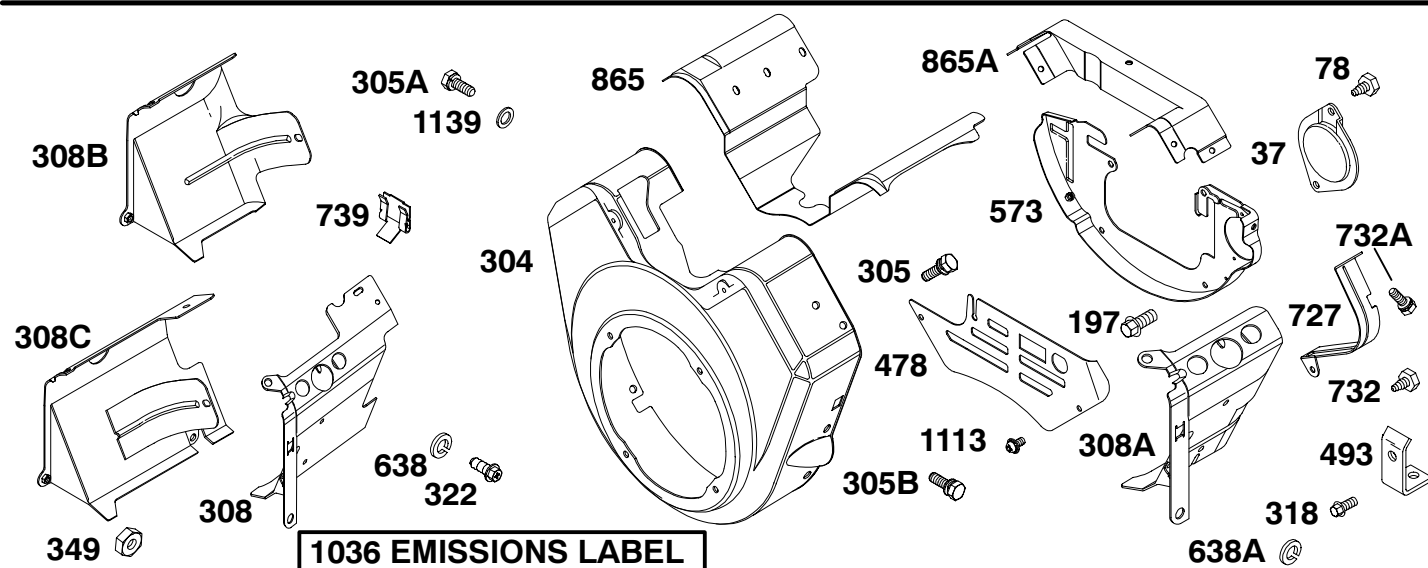


REF. NO.	PART NO.	DESCRIPTION	REF. NO.	PART NO.	DESCRIPTION	REF. NO.	PART NO.	DESCRIPTION
300	807948	Exhaust Muffer	613	805448	Screw (Exhaust Muffer)	832	691571	Muffer Guard
300A	691562	Exhaust Muffer	676	397630	Muffer Deflector	836	691514	Screw (Muffer Guard)
300B	690906	Exhaust Muffer	676A	808394	Muffer Deflector	836A	690688	Screw (Muffer Guard)
300C	690931	Exhaust Muffer	677	94896	Screw (Muffer Deflector)	836B	805448	Screw (Muffer Guard)
346	94896	Screw (Spark Arrester)	677A	690688	Screw (Muffer Deflector)	837	808085	Muffer Spacer (Includes 2)
355	690944	Washer (Muffer Bracket)	819	805448	Screw (Muffer Bracket)	863	691513	Muffer Bracket
436	805142	Exhaust Manifold	819A	690943	Screw (Muffer Bracket)	863A	690756	Muffer Bracket
436A	691499	Exhaust Manifold	819B	805025	Screw (Muffer Bracket)	883	805024	Exhaust Gasket
437	805158	Screw (Exhaust Manifold)				884	690898	Muffer Clamp
						994	392390	Spark Arrester

★ Included in Engine Gasket Set-Ref. No. 358.
 ● Included in Carburetor Overhaul Kit-Ref. No. 121.

Included in Valve Gasket Set-Ref. No. 1095.

351400 to 351499

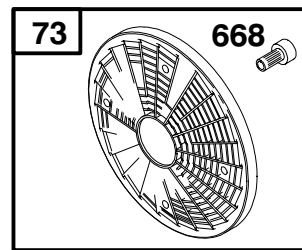
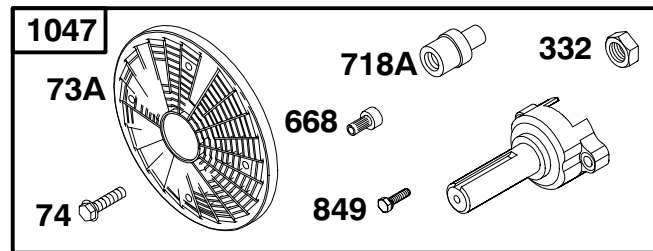
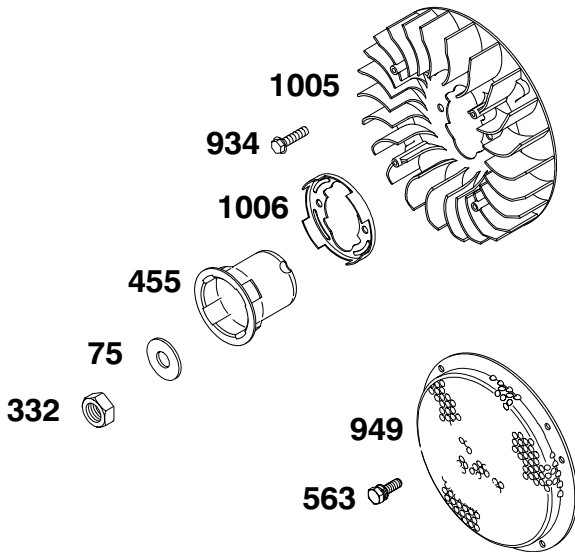
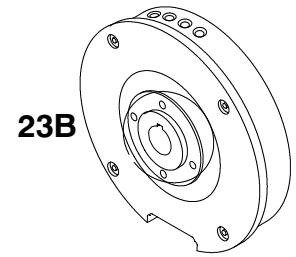
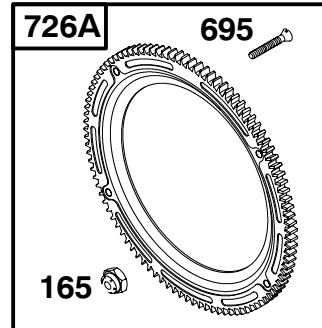
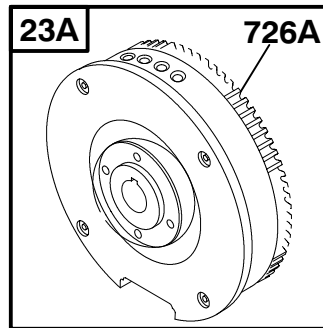
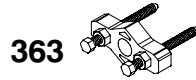
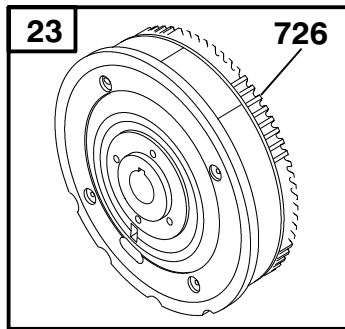


REF. NO.	PART NO.	DESCRIPTION	REF. NO.	PART NO.	DESCRIPTION	REF. NO.	PART NO.	DESCRIPTION
37	690715	Flywheel Guard	308B	690913	Cylinder Head Cover (Cylinder 2)	865A	690901	Air Guide Cover
78	690688	Screw (Flywheel Guard)	308C	806544	Cylinder Head Cover (Cylinder 2) (Used After Code Date 98120100).			----- Note ----- 690908 Air Guide Cover
197	692539	Screw (Back Plate)			----- Note ----- 691563 Cylinder Head Cover (Used Before Code Date 98113000).	1036	806698	Emissions Label (Used After Code Date 9909300).
304	690915	Blower Housing	318	805026	Screw (Mounting Bracket)			----- Note ----- 806637 Emissions Label (Used Before Code Date 99100100 and After Code Date 98123100).
		----- Note ----- 690914 Blower Housing (Used on Type No(s). 0182, 1048, 1075, 1076, 1122, 1176, 1182, 1192, 1196, 1203, 1234, 1236, 1239.	322	805448	Screw (Cylinder Head Cover)			806636 Emissions Label (Used Before Code Date 99100100 and After Code Date 98111800).
305	805025	Screw (Blower Housing)	349	690238	Nut (Cylinder Head Cover)			499374 Emissions Label (Used Before Code Date 99100100 and After Code Date 98111800).
305A	805247	Screw (Blower Housing)	478	691533	Panel			499373 Emissions Label (Used Before Code Date 97110200).
305B	805026	Screw (Blower Housing)	493	691503	Mounting Bracket			499373 Emissions Label (Used Before Code Date 97110300).
308	806545	Cylinder Head Cover (Cylinder 1) (Used After Code Date 98120100).	573	690902	Back Plate	1113	690677	Screw (Panel)
		----- Note ----- 691576 Cylinder Head Cover (Cylinder 1) (Used Before Code Date 98113000).	638	690706	Washer (Cylinder Head Cover)	1139	806497	Washer (Fuel Pump Bracket)
308A	691575	Cylinder Head Cover (Cylinder 1)	638A	691551	Washer (Cylinder Head Cover)			
			727	690714	Starter Drive Cover			
			732	690688	Screw (Starter Drive Cover)			
			732A	692539	Screw (Starter Drive Cover)			
			739	690451	Debris Clip			
			865	690750	Air Guide Cover			

★ Included in Engine Gasket Set-Ref. No. 358.

● Included in Carburetor Overhaul Kit-Ref. No. 121.

Included in Valve Gasket Set-Ref. No. 1095.



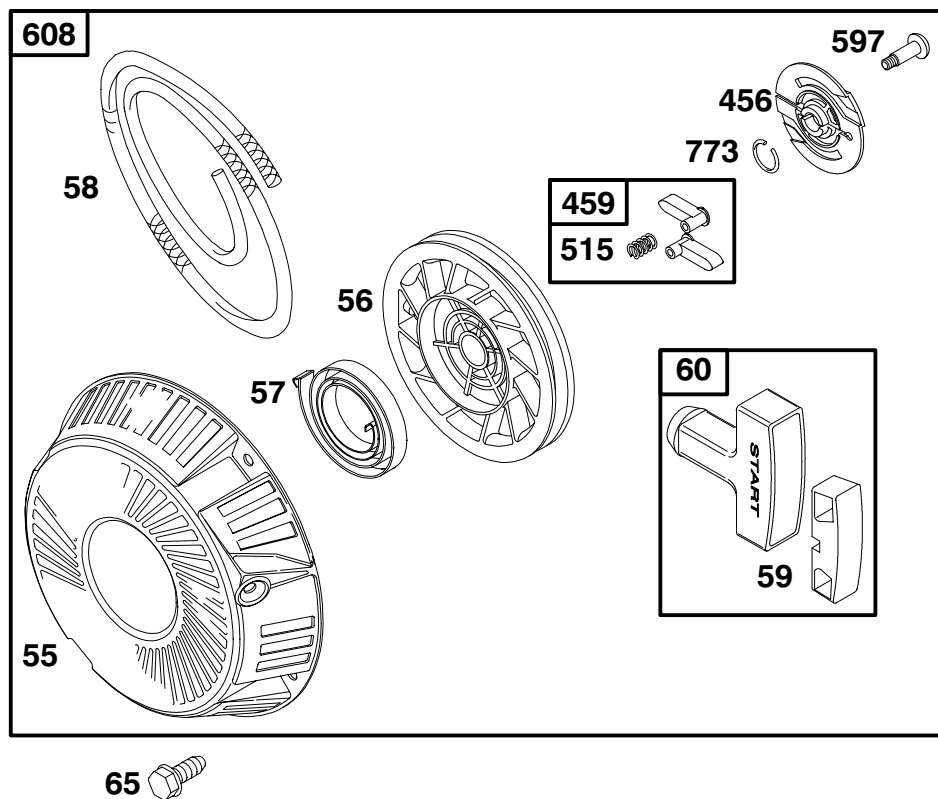
REF. NO.	PART NO.	DESCRIPTION	REF. NO.	PART NO.	DESCRIPTION	REF. NO.	PART NO.	DESCRIPTION
23	808768	Flywheel (Steel Ring Gear) ----- Note ----- 808772 Flywheel Used on Type No(s). 1045	74	805447	Screw (Rotating Screen)	718A	690740	Locating Pin
23A	690921	Flywheel (Aluminum Ring Gear)	75	691490	Washer (Flywheel)	726		Ring Gear (Steel) (Sold in Flywheel Kit Only; Ref. 23)
23B	690922	Flywheel (Rewind only Engines) Used on Type No(s). 1102, 1120, 1122, 1141, 1194.	165	693148	Nut (Ring Gear)	726A	807805	Ring Gear (Aluminum)
73	494439	Rotating Screen	332	690887	Nut (Flywheel)	849	691088	Screw (Stub Shaft)
73A	690749	Rotating Screen	363	19203	Flywheel Puller	934	94627	Screw (Fan Retainer)
			455	690864	Flywheel Cup	949	690475	Debris Screen Guard
			563	805026	Screw (Debris Screen Guard)	1005	690911	Flywheel Fan
			668	691500	Spacer	1006	690452	Fan Retainer
			695	693109	Screw (Ring Gear)	1047	807867	Stub Shaft

★ Included in Engine Gasket Set-Ref. No. 358.

● Included in Carburetor Overhaul Kit-Ref. No. 121.

Included in Valve Gasket Set-Ref. No. 1095.

351400 to 351499

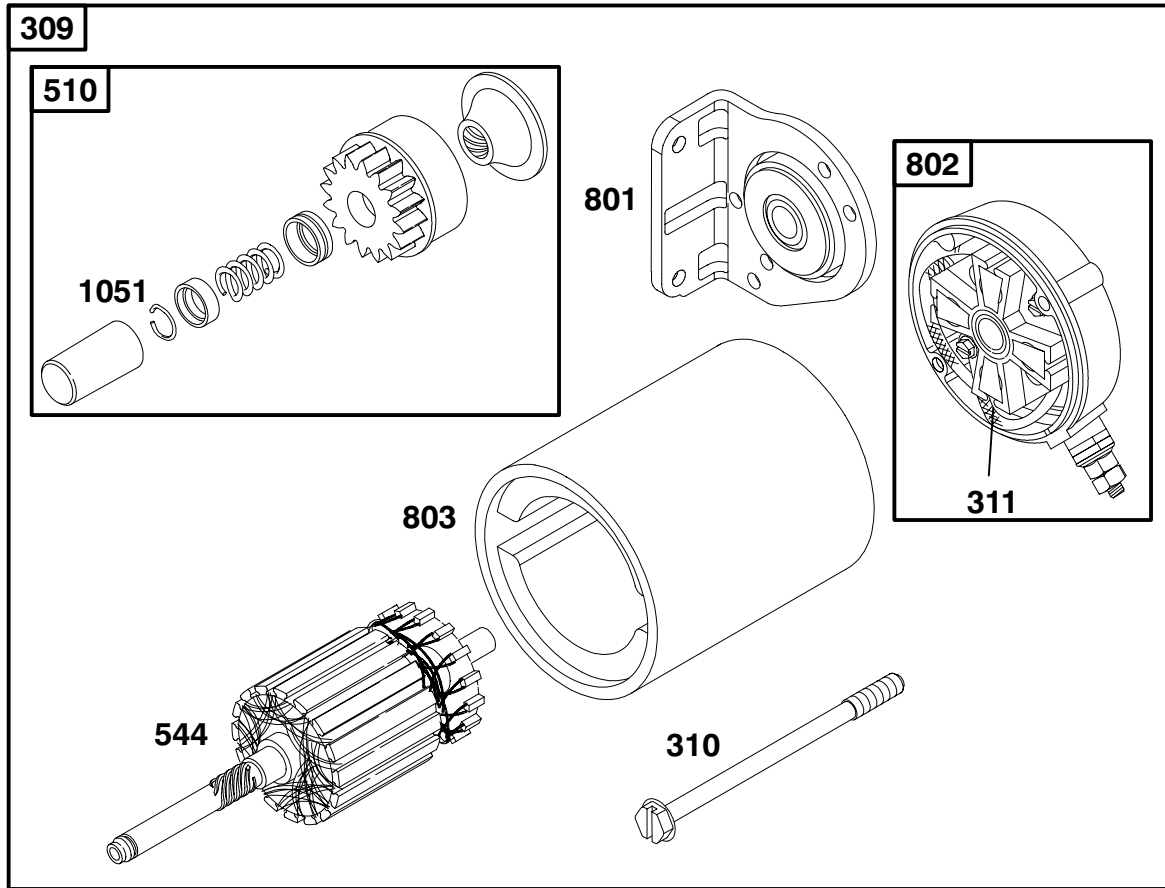


REF. NO.	PART NO.	DESCRIPTION	REF. NO.	PART NO.	DESCRIPTION	REF. NO.	PART NO.	DESCRIPTION
55	691568	Rewind Starter Housing	59	805957	Grip Insert	597	690876	Screw (Pawl Friction Plate)
56	805949	Starter Pulley	60	808167	Starter Rope Grip	608	808087	Rewind Starter
57	805951	Rewind Starter Spring	65	692539	Screw (Rewind Starter)	773	690875	Retainer
58	66574	Starter Rope (Cut to Required Length)	456	691529	Pawl Friction Plate			
			459	808166	Ratchet Pawl			
			515	691528	Pawl Spring			

★ Included in Engine Gasket Set-Ref. No. 358.

● Included in Carburetor Overhaul Kit-Ref. No. 121.

Included in Valve Gasket Set-Ref. No. 1095.



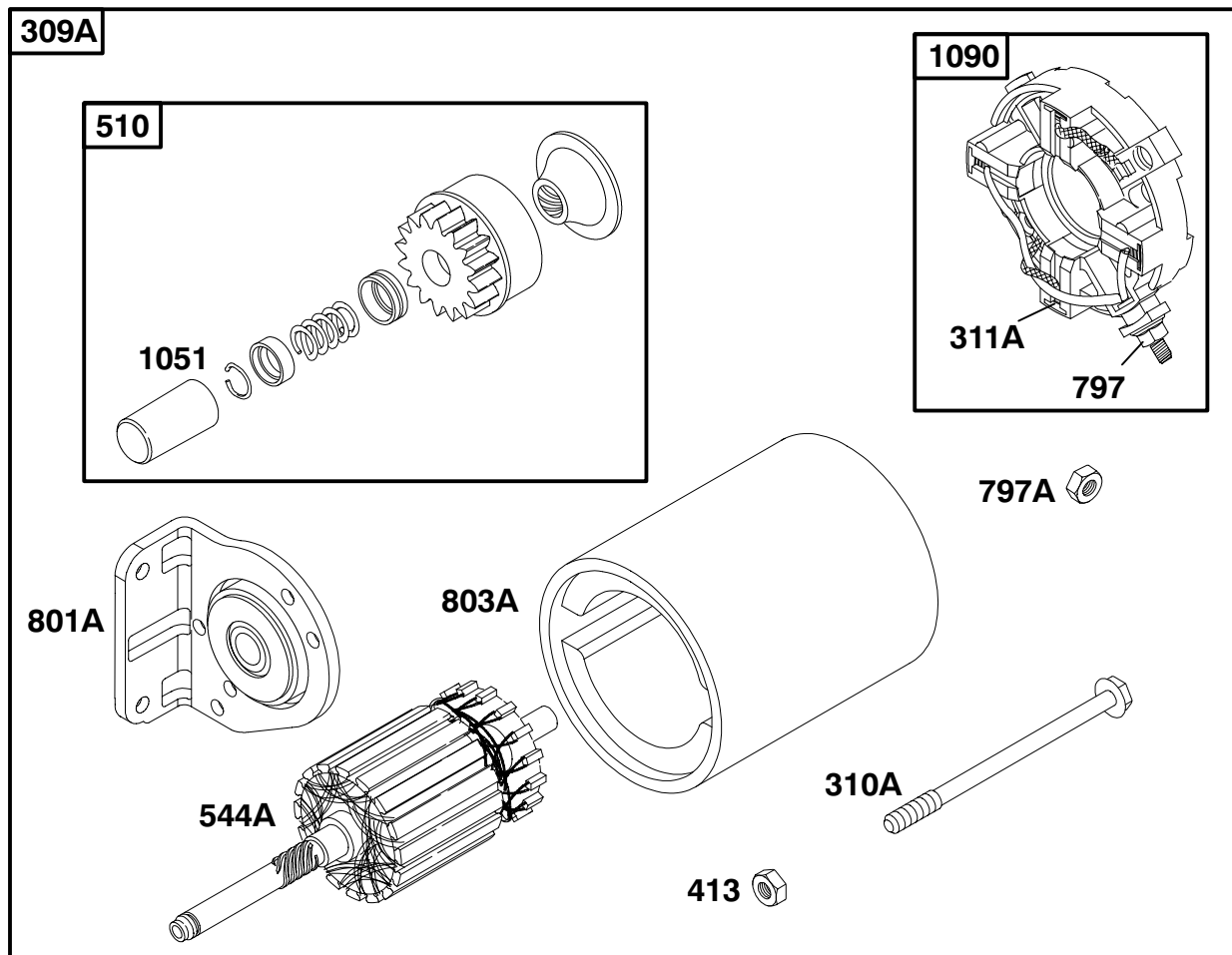
REF. NO.	PART NO.	DESCRIPTION	REF. NO.	PART NO.	DESCRIPTION	REF. NO.	PART NO.	DESCRIPTION
309	691564	Starter Motor	510	496881	Starter Drive	801	808777	Drive Cap
310	496880	Bolt (Starter Motor)	544	690855	Starter Armature	802	496813	End Cap
311	496887	Brush Set	697	805247	Screw (Drive Cap)	803	690854	Starter Housing
						1051	691124	Retaining Ring

★ Included in Engine Gasket Set-Ref. No. 358.

● Included in Carburetor Overhaul Kit-Ref. No. 121.

Included in Valve Gasket Set-Ref. No. 1095.

351400 to 351499

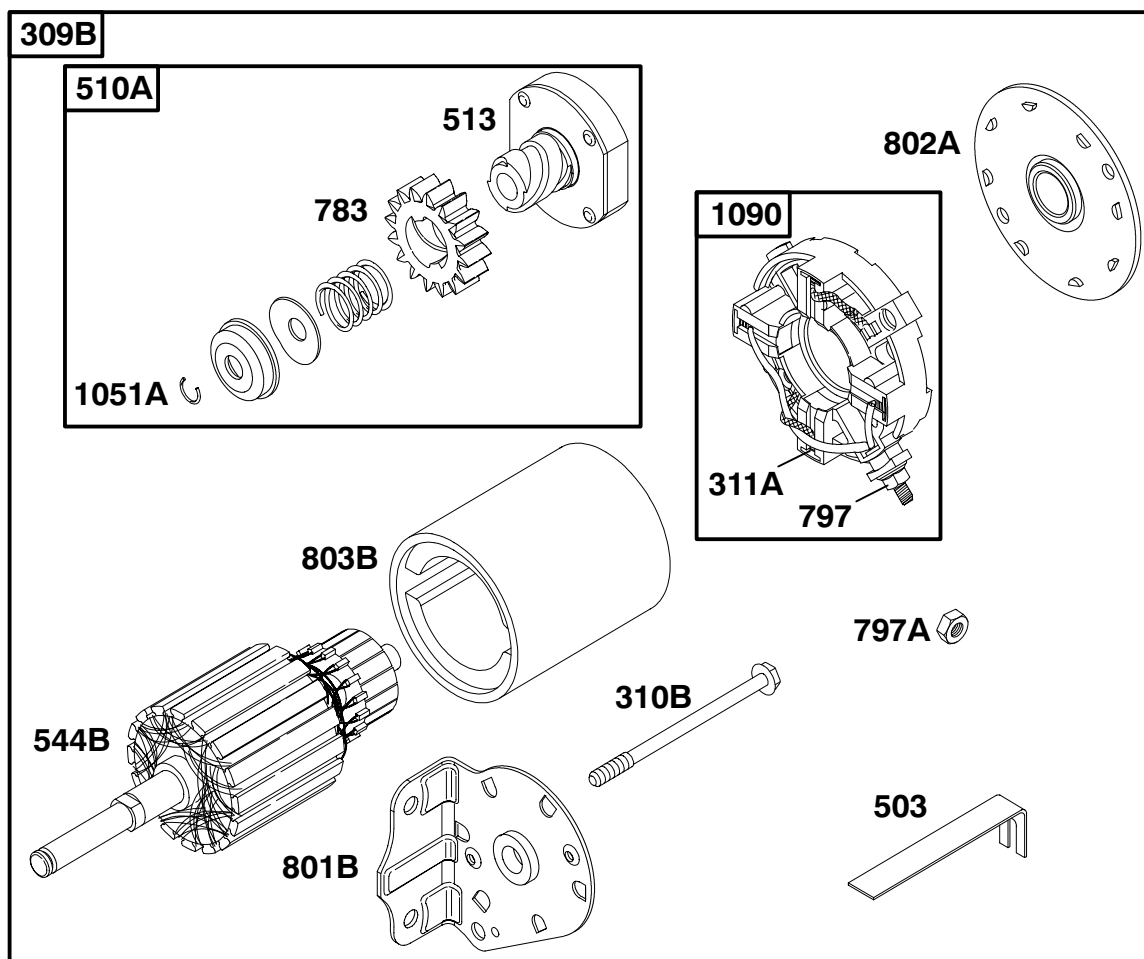


REF. NO.	PART NO.	DESCRIPTION	REF. NO.	PART NO.	DESCRIPTION	REF. NO.	PART NO.	DESCRIPTION
309A		Starter Motor (For Replacement Starter Motor, See Ref 309, Page 16)	413	693587	Nut (Starter Motor)	797A	92278	Nut (Brush Retainer)
310A	690323	Bolt (Starter Motor)	510	496881	Starter Drive	801A	808778	Drive Cap
311A	497608	Brush Set	544A	693548	Starter Armature	803A	693547	Starter Housing
			697	805247	Screw (Drive Cap)	1051	691124	Retaining Ring
			797	693167	Nut (Brush Retainer)	1090	497605	Brush Retainer

★ Included in Engine Gasket Set-Ref. No. 358.

● Included in Carburetor Overhaul Kit-Ref. No. 121.

Included in Valve Gasket Set-Ref. No. 1095.



697 

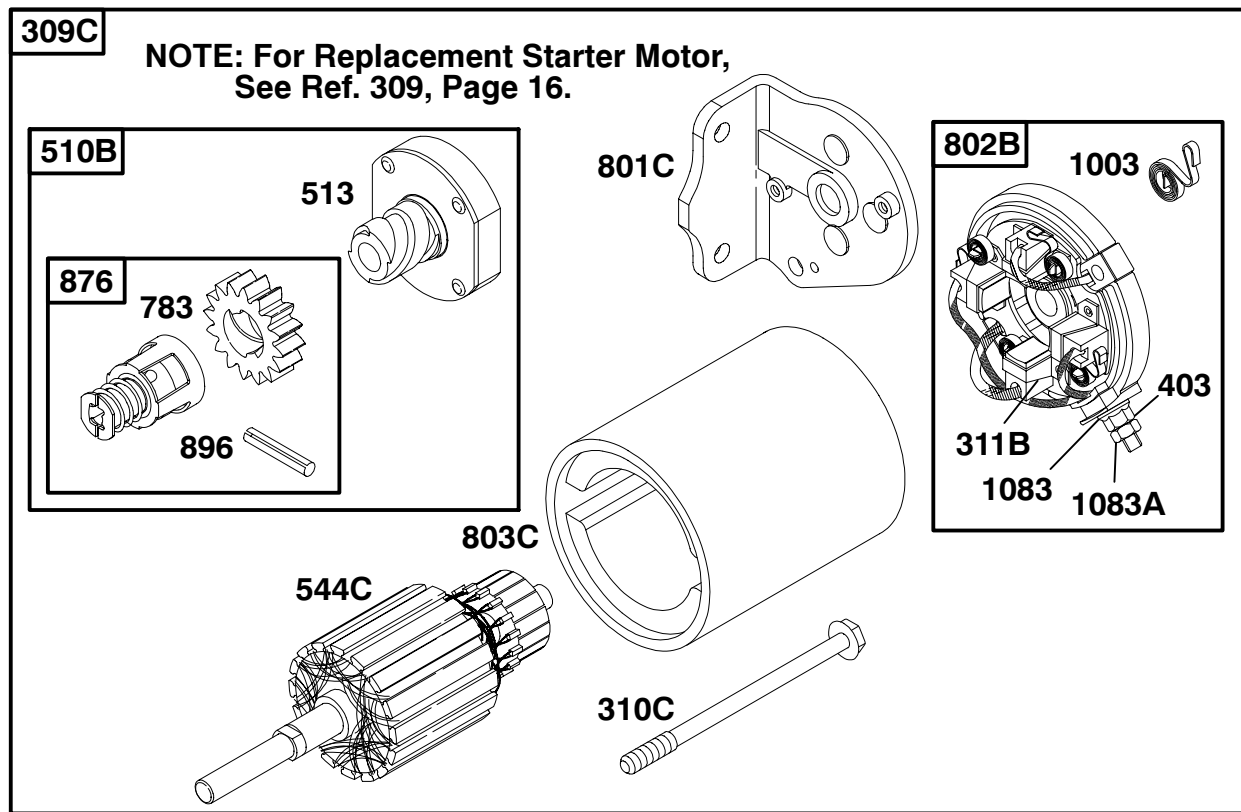
REF. NO.	PART NO.	DESCRIPTION	REF. NO.	PART NO.	DESCRIPTION	REF. NO.	PART NO.	DESCRIPTION
309B	499521	Starter Motor	697	805247	Screw (Drive Cap)	802A	497607	End Cap
310B	691263	Bolt (Starter Motor)	783	693059	Pinion Gear	803B		Starter Housing (Serviced By 499521 Starter Motor Only)
311A	497608	Brush Set	797	693167	Nut (Brush Retainer)	1051A	263080	Retaining Ring
503	691532	Starter Strap	797A	92278	Nut (Brush Retainer)	1090	497605	Brush Retainer
510A	497606	Starter Drive	801B	691429	Drive Cap			
513	398003	Drive Clutch						
544B		Starter Armature (Serviced By 499521 Starter Motor Only)						

★ Included in Engine Gasket Set-Ref. No. 358.

● Included in Carburetor Overhaul Kit-Ref. No. 121.

Included in Valve Gasket Set-Ref. No. 1095.

351400 to 351499

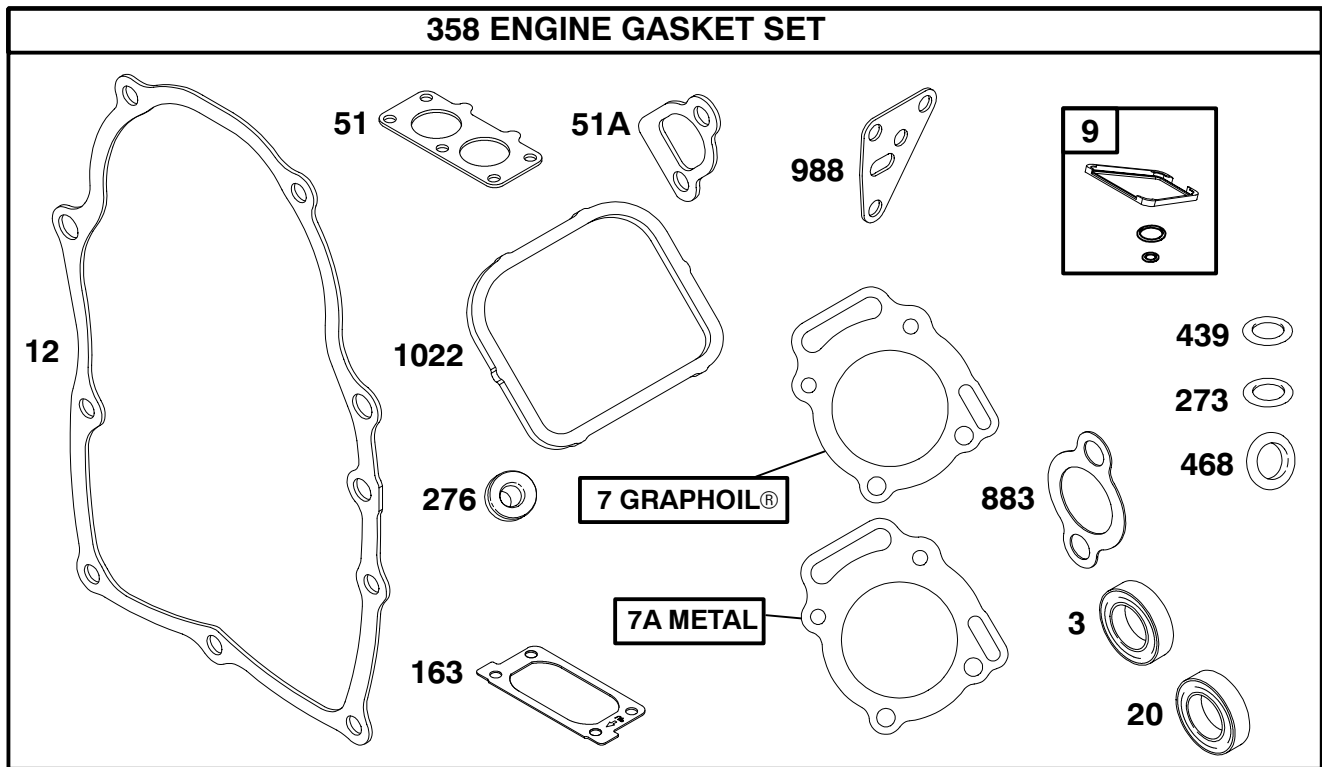


REF. NO.	PART NO.	DESCRIPTION	REF. NO.	PART NO.	DESCRIPTION	REF. NO.	PART NO.	DESCRIPTION
309C		Starter Motor (For Replacement Starter Motor, See Ref 309, Page 17)	544C	490309	Starter Armature (For 4 3/8" Housing Length)	803C	494205	Starter Housing (For 4 3/8" Housing Length)
310C	692329	Bolt (Starter Motor)	697	805247	Screw (Drive Cap)			----- Note -----
311B	490311	Brush Set (For 4 9/16" Housing Length)	783	693059	Pinion Gear			398892 Starter Housing
403	690288	Washer (End Cap)	801C	394856	Drive Cap			(For 4 9/16" Housing Length)
510B	495878	Starter Drive	802B	494988	End Cap (For 4 3/8" Housing Length)	876	495877	Pinion Spring Kit
513	398003	Drive Clutch			----- Note -----	896	94288	Drive Retainer Pin
					498233 Housing/Cap Kit (For 4 9/16" Housing Length)	1003	490316	Brush Spring
						1083	94010	Nut (End Cap)
						1083A	93715	Nut (End Cap)

★ Included in Engine Gasket Set-Ref. No. 358.

● Included in Carburetor Overhaul Kit-Ref. No. 121.

Included in Valve Gasket Set-Ref. No. 1095.



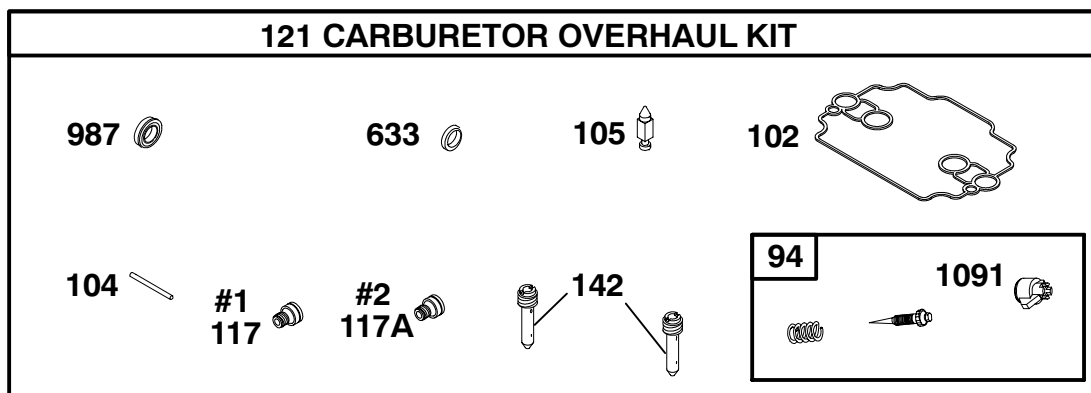
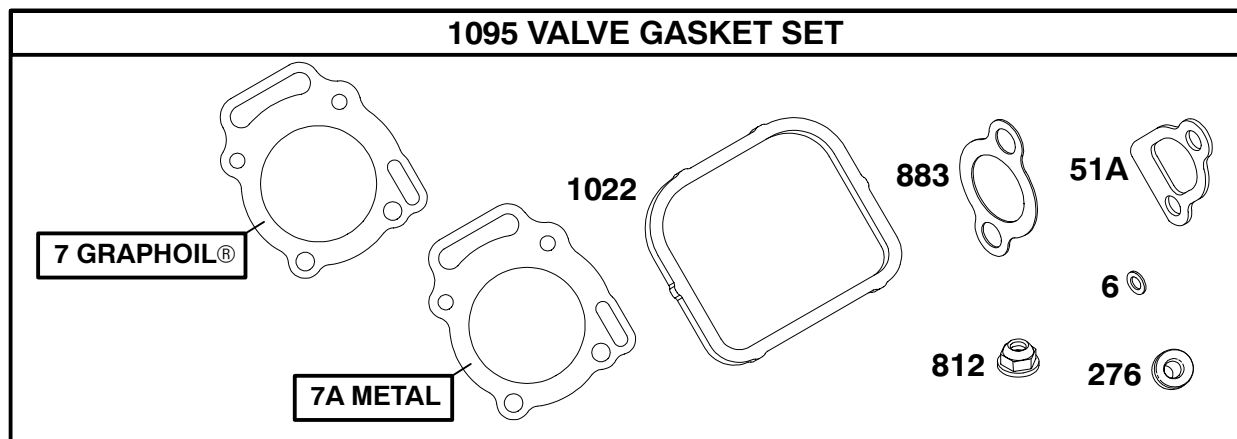
REF. NO.	PART NO.	DESCRIPTION	REF. NO.	PART NO.	DESCRIPTION	REF. NO.	PART NO.	DESCRIPTION
3	★805101	Oil Seal (Magneto Side)	20	★805049	Oil Seal (PTO Side)	468	★690690	O-Ring Seal (Oil Pump Screen)
7	★ 690888	Cylinder Head Gasket (Used After Code Date 96033100).	51	★690950	Intake Gasket	883	★ 805024	Exhaust Gasket
7A	★ 805653	Cylinder Head Gasket (Used Before Code Date 96040100).	51A	★ 805023	Intake Gasket	988	★805250	Oil Adapter Gasket
9	★807688	Breather Gasket	163	★806013	Air Cleaner Gasket	1022	★ 806039	Rocker Cover Gasket
12	★806190	Crankcase Gasket (Used After Code Date 97043000).	273	★690681	O-Ring Seal (Oil Pump)			
		----- Note -----	276	★ 805420	Sealing Washer			
		★805112 Crankcase Gasket (Used Before Code Date 97050100).	358	808389	Engine Gasket Set			
			439	★692154	O-Ring Seal (Crankcase Cover) (Used After Code Date 97043000).			
					----- Note -----			
					★805198 O-Ring Seal (Crankcase Cover) (Used Before Code Date 97050100).			

★ Included in Engine Gasket Set-Ref. No. 358.

● Included in Carburetor Overhaul Kit-Ref. No. 121.

Included in Valve Gasket Set-Ref. No. 1095.

351400 to 351499



REF. NO.	PART NO.	DESCRIPTION	REF. NO.	PART NO.	DESCRIPTION	REF. NO.	PART NO.	DESCRIPTION
6	805193	Washer (Cylinder Head) (Used Before Code Date 94050100).	105	●805547	Float Needle Valve (Used Before Code Date 99031700).	812	805019	Nut (Rocker Arm Cover)
7	★ 690888	Cylinder Head Gasket (Used After Code Date 96033100).	117	●690862	Main Jet (For Cylinder 1)	883	★ 805024	Exhaust Gasket
7A	★ 805653	Cylinder Head Gasket (Used Before Code Date 96040100).	117A	●690880	Main Jet (For Cylinder 2)	987	●806070	Throttle Shaft Seal (Used After Code Date 94123100).
51A	★ 805023	Intake Gasket	121	808279	Carburetor Overhaul Kit	----- Note -----		
94	●808257	Idle Mixture Kit	142	●691545	Carburetor Nozzle	●808183	Throttle Shaft Seal (Used After Code Date 95010100).	
102	●693711	Carburetor Body Gasket	276	★ 805420	Sealing Washer	1022	★ 806039	Rocker Cover Gasket
104	●690882	Float Hinge Pin	633	●690722	Choke Shaft Seal	1091	●691516	Limiter Cap
						1095	808391	Valve Gasket Set

★ Included in Engine Gasket Set-Ref. No. 358.

● Included in Carburetor Overhaul Kit-Ref. No. 121.

Included in Valve Gasket Set-Ref. No. 1095.