

**28N700 to 28N799**

# Illustrated Parts List

## Model Series

### 28N700 to 28N799

## TYPE NUMBERS

0026, 0036,  
0101 through 0109,  
0111 through 0132,  
0137, 0138, 0139,  
0140, 0141, 0142,  
0160 through 0168,  
0171, 0173, 0174,  
0177, 0181, 0182,  
0189, 0190,  
0526, 0612, 0631,  
0635, 0636, 0641,  
0642, 0666, 0682,

## TYPE NUMBERS

1026, 1036, 1101,  
1102, 1103, 1109,  
1115, 1116, 1117,  
1120, 1122, 1128,  
1129, 1130, 1131,  
1132, 1135, 1138,  
1139, 1141, 1142,  
1143, 1166, 1171,  
1173, 1174, 1177,  
1181, 1182, 1189,  
1190, 1192, 1194,  
1196, 1201, 1203.

**TO FIND**

**THE CORRECT NUMBER OF THE PART YOU NEED:  
FOLLOW THE INSTRUCTIONS BELOW**

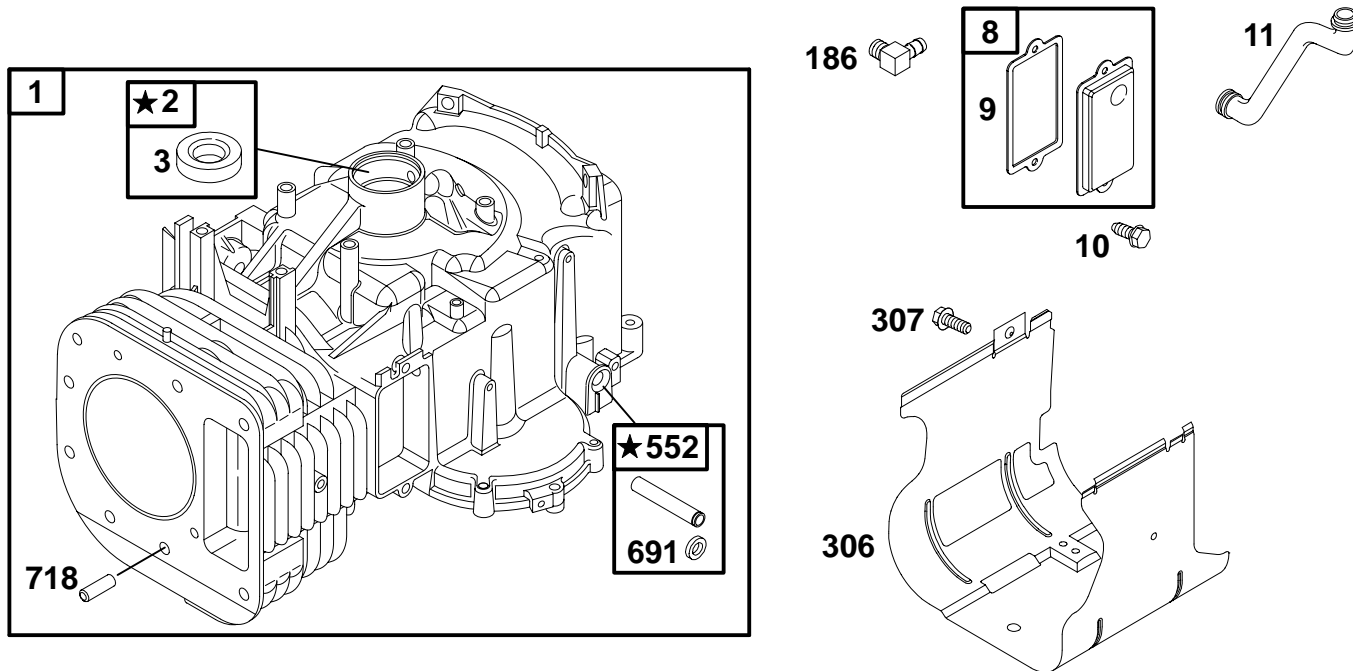
- A. Refer to Engine Model, Type and Code Number that is stamped on the blower housing of engine. Engine type numbers such as 0123 01 are listed only as 0123 in most instances. The two digits (01 or 02, etc.) to the right of the space may be required for more accurate parts identification in some instances. Select the Illustrated Parts List covering the correct Model Series and Type Number.
- B. Refer to the Illustrations and compare the original part with Illustration. The number next to the illustration is the Reference Number. Assemblies include all parts shown in frames. All parts shown in assembly frames having individual reference numbers can be purchased separately.
- C. After the Reference Number has been identified, refer to the Numerical text, where Reference and Primary Part Number are listed. **THE PRIMARY PART IS USED ON ALL TYPE NUMBERS EXCEPT THOSE TYPE NUMBERS UNDER "NOTE."**
- D. If a "Note" appears below the Primary Part Number, it means that this part differs from the Primary Part for certain types. If your Type number is listed under "Note," order the part referred to at the "Note."
- E. If your Engine Type Number does not appear after any part number listed under "Note," use the Primary Part Number.
- F. For Engine Type Numbers not covered by this book, check other Parts Lists having the same engine model or contact your source of supply.

PRINTED IN U.S.A.

**BRIGGS & STRATTON**

COPYRIGHT by BRIGGS & STRATTON CORPORATION  
All rights reserved. No part of this material may be reproduced or transmitted, in any form or by any means, electronic or mechanical, including photocopying, recording or by any information storage and retrieval system, without permission in writing from Briggs & Stratton Corporation.

# 28N700 to 28N799



**1019 LABEL KIT**

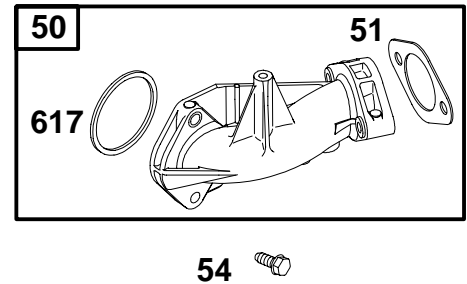
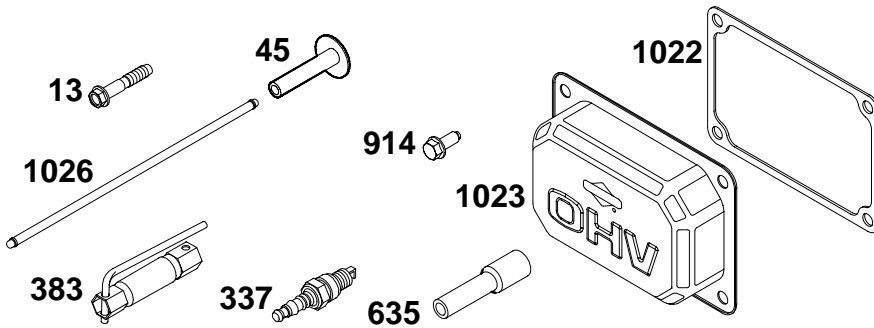
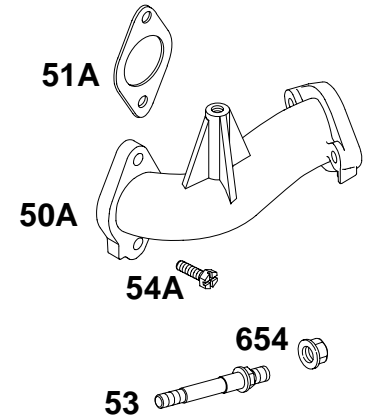
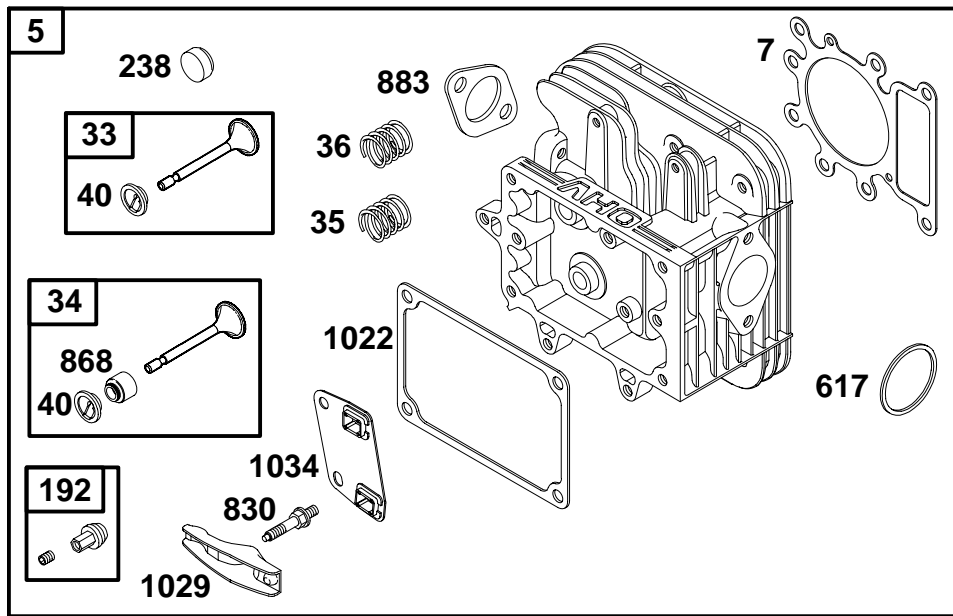
**1058 OWNER'S MANUAL**

★ **REQUIRES SPECIAL TOOLS TO INSTALL. SEE REPAIR INSTRUCTION MANUAL.**

REF. NO.	PART NO.	DESCRIPTION	REF. NO.	PART NO.	DESCRIPTION	REF. NO.	PART NO.	DESCRIPTION
1	496412	Cylinder Assembly	9	★27803	Gasket-Breather	1058	274789	Owner's Manual (Emission Engines)
2	399265	Kit-Bushing/Seal	10	691666	Screw (Breather Assembly)			<b>Note</b>
3	★391086	Seal-Oil (Magneto Side)	11	691328	Tube-Breather			272623 Owner's Manual (Non Emission Engines)
8	495735	Breather Assembly	186	67218	Hose Connector			
		<b>Note</b>	306	690499	Shield-Cylinder			
		495734 Breather Assembly	307	94930	Screw (Cylinder Shield)			
		Used on Type No(s). 0112, 0117, 0122, 0127, 0138, 0141, 0142, 0189, 0612, 1117, 1122, 1138, 1141, 1142, 1189, 1201.	552	491986	Bushing-Governor Crank			
			691	★491323	Seal-Governor Shaft			
			718	230192	Pin-Locating			
			1019	496758	Kit-Label			

★ Included in Engine Gasket Set—See Ref. No. 358.  
 Δ Included in Valve Gasket Set—See Ref. No. 1095.

◆ Included in Carburetor Gasket Set—See Ref. No. 977 & 977A.  
 ● Included in Carburetor Overhaul Kit—See Ref. No. 121 & 121A.

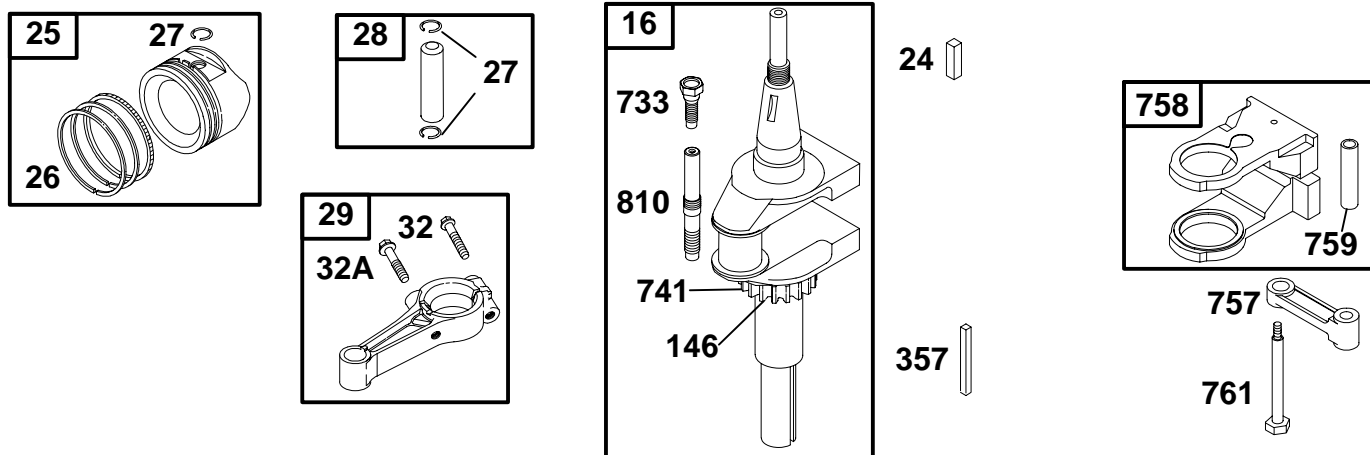


REF. NO.	PART NO.	DESCRIPTION	REF. NO.	PART NO.	DESCRIPTION	REF. NO.	PART NO.	DESCRIPTION
5	691165	Head-Cylinder (Used After Code Date 97100500). <b>Note</b> 495858 Head-Cylinder (Used Before Code Date 97100600).	50A	690383	Manifold-Intake (Used Before Code Date 97100600).	635	280872	Boot-Sparkplug
7	Δ*273280	Gasket -Cylinder Head	51★◆273650	Gasket-Intake (Used After Code Date 97100500).	654	94010	Nut (Carburetor)	
13	690360	Screw (Cylinder Head)	51A	*272569	Gasket-Intake (Used Before Code Date 97100600).	830	691095	Stud (Rocker Arm)
33	495856	Valve-Exhaust	53	690227	Stud (Carburetor)	868	Δ*690968	Seal-Valve
34	495857	Valve-Intake	54	691148	Screw (Intake Manifold)	883	Δ*272293	Gasket-Exhaust
35	691279	Spring-Valve (Intake)	54A	94913	Screw (Intake Manifold)	914	690960	Screw (Rocker Cover)
36	691279	Spring-Valve (Exhaust)	192	492160	Adjuster-Rocker Arm	1022	Δ*272475	Gasket-Rocker Cover
40	224641	Retainer-Valve	238	262836	Cap-Valve	1023	691192	Cover-Rocker Arm
45	690564	Tappet-Valve	337	491055	Sparkplug	1026	494432	Push Rod (Intake)
50	690193	Manifold-Intake (Used After Code Date 97100500).	383	89838	Wrench-Sparkplug			<b>Note</b> 495136 Rod-Push (Exhaust)
			617	*692138	O-Ring Seal (Intake Manifold) (Used After Code Date 97100500).	1029	224554	Arm-Rocker
						1034	690822	Guide-Push Rod

★ Included in Engine Gasket Set-See Ref. No. 358.  
Δ Included in Valve Gasket Set-See Ref. No. 1095.

◆ Included in Carburetor Gasket Set-See Ref. No. 977 & 977A.  
● Included in Carburetor Overhaul Kit-See Ref. No. 121 & 121A.

# 28N700 to 28N799

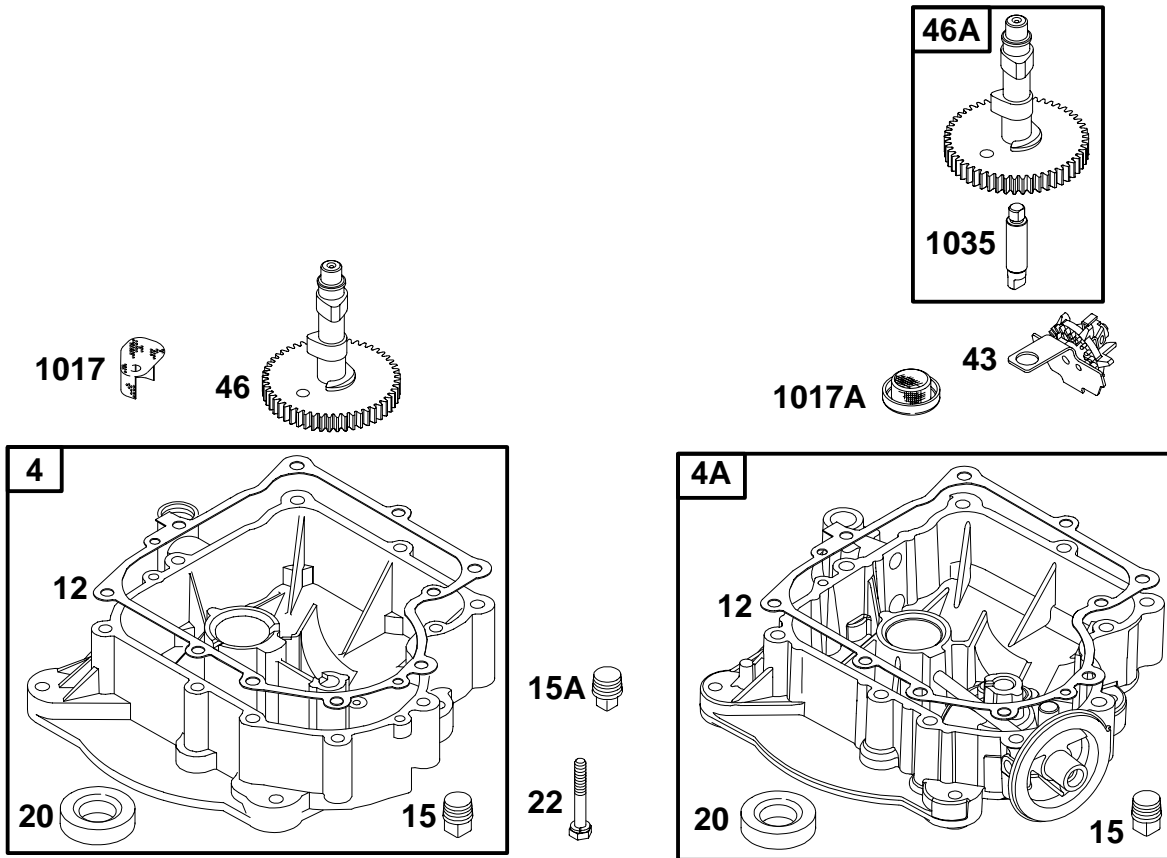


REF. NO.	PART NO.	DESCRIPTION	REF. NO.	PART NO.	DESCRIPTION	REF. NO.	PART NO.	DESCRIPTION
16	693944	Crankshaft (Used After Code Date 95073100). <b>Note</b> 498971 Crankshaft (Used Before Code Date 95080100). 690136 Crankshaft (Used After Code Date 98063000). Used on Type No(s). 1103, 1130, 1143, 1174, 1182. 694187 Crankshaft Used on Type No(s). 1194.	27	691299	Lock-Piston Pin (Used After Code Date 95101500). <b>Note</b> 260924 Lock-Piston Pin (Used Before Code Date 95101600). 28 498319 Pin-Piston (Standard) (Used After Code Date 95101500). <b>Note</b> 299691 Pin-Piston (Standard) (Used Before Code Date 95101600). 498320 Pin-Piston (.005" O. S.) (Used After Code Date 95101500). 391286 Pin-Piston (.005" O. S.) (Used Before Code Date 95101600). 29 494504 Rod-Connecting (Standard) <b>Note</b> 692419 Rod-Connecting (Standard) (Used After Code Date 98063000). Used on Type No(s). 1103, 1130, 1143, 1174, 1182, 1194.	24	222698	Key-Flywheel
25	499284	Piston Assy-Standard (Standard) <b>Note</b> 499288 Piston Assembly (.010" O.S.) 499292 Piston Assembly (.020" O.S.) 495979 Piston Assembly (.030" O.S.)	32	690356	Screw (Connecting Rod, 1 7/8" Long) <b>Note</b> 692852 Screw (Connecting Rod) (Used After Code Date 98063000). Used on Type No(s). 1103, 1130, 1143, 1174, 1182, 1194.	32A	690348	Screw (Connecting Rod, 1 5/8" Long)
26	495854	Ring Set (Standard) <b>Note</b> 495852 Ring Set (.010" O.S.) 495851 Ring Set (.020" O.S.) 495855 Ring Set (.030" O.S.)	741	691284	Gear-Timing	146	94196	Key-Timing
			757	213998	Link-Counterweight	357	91540	Key-Drive Pulley
			758	692423	Counterweight	733	691658	Screw (Crankshaft Extension)
			759	691239	Pin-Counterweight	741	691284	Gear-Timing
			761	691096	Screw (Counterweight)	757	213998	Link-Counterweight
			810	231828	Extension-Crankshaft	758	692423	Counterweight

★ Included in Engine Gasket Set-See Ref. No. 358.  
△ Included in Valve Gasket Set-See Ref. No. 1095.

◆ Included in Carburetor Gasket Set-See Ref. No. 977 & 977A.  
● Included in Carburetor Overhaul Kit-See Ref No.121 & 121A.

# 28N700 to 28N799



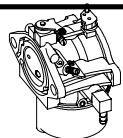
REF. NO.	PART NO.	DESCRIPTION	REF. NO.	PART NO.	DESCRIPTION	REF. NO.	PART NO.	DESCRIPTION
4	494238	Sump-Engine <b>Note</b> 496742 Sump-Engine Used on Type No(s). 0103, 0119, 0130, 0174, 0642, 0682, 1103, 1130, 1174, 1182.	15	94239	Plug-Oil Drain <b>Note</b> 94880 Plug-Oil Drain Used on Type No(s). 0137.	46	692421	Camshaft <b>Note</b> 692422 Camshaft Used on Type No(s). 0103, 0119, 0130, 0174, 0642, 0682, 1103, 1130, 1174, 1182.
4A	693582	Sump-Engine (Used After Code Date 98063000) Used on Type No(s). 1103, 1130, 1143, 1174, 1182, 1194.	15A	690283	Plug-Oil	46A	693450	Camshaft (Used After Code Date 98063000) Used on Type No(s). 1103, 1130, 1143, 1174, 1182, 1194.
12	★271916	Gasket-Crankcase (.015 Thick, Standard) <b>Note</b> ★271997 Gasket- Crankcase-005 (.005 Thick) ★271996 Gasket- Crankcase-009 (.009 Thick)	20	★291675	Seal-Oil (PTO Side)	1017	691216	Screen-Oil Pump
			22	692125	Screw (Engine Sump)	1017A	690770	Screen-Oil Pump (Used After Code Date 98063000) Used on Type No(s). 1103, 1130, 1143, 1174, 1182, 1194.
			43	490815	Slinger-Governor/Oil	1035	693784	Shaft-Pump

★ Included in Engine Gasket Set-See Ref. No. 358.  
 △ Included in Valve Gasket Set-See Ref. No. 1095.

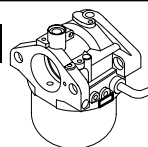
◆ Included in Carburetor Gasket Set-See Ref. No. 977 & 977A.  
 ● Included in Carburetor Overhaul Kit-See Ref No.121 & 121A.

# 28N700 to 28N799

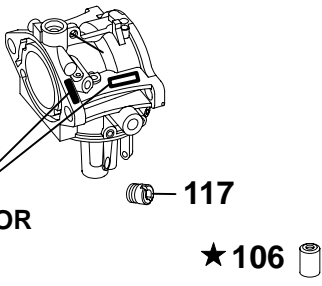
## WALBRO



## NIKKI



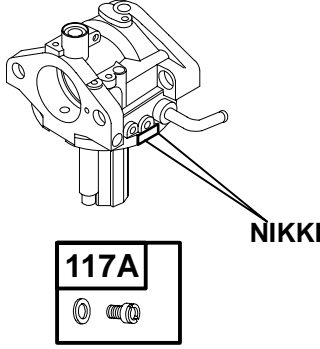
125



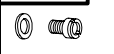
**LMT/CARBURETOR  
PART NUMBER  
LOCATIONS**

★ 106

125A



**NIKKI**

**117A**  


★ **REQUIRES SPECIAL TOOLS TO INSTALL. SEE REPAIR INSTRUCTION MANUAL.**

SEE NEXT PAGE FOR COMPONENT SERVICE

**THIS CARBURETOR SERVICES BOTH CHOKE-A-MATIC AND MANUAL CHOKE SYSTEMS**

REF. NO.	PART NO.	DESCRIPTION	REF. NO.	PART NO.	DESCRIPTION
106	●231854	Seat-Inlet (Gravity Feed) <b>Note</b> ●231856 Seat-Inlet (Pump Feed) Used on Type No(s). 0112, 0117, 0127, 0139, 0141, 0612.			
117	●692408	Jet-Main (Standard LMT 153, 154, 155) <b>Note</b> ●232061 Jet-Main (Standard LMT 33, 34, 73, 74, 76, 121, 122, 125, 126, 128, 129, 130, 132, 137, 138) ●232115 Jet-Main (Standard LMT 149, 150) 694352 Jet-Main (Standard) Used on Type No(s). 1194.  232116 Jet-Main (High Altitude) (LMT 149, 150)	117A	●695415	Jet-Main <b>Note</b> ●695416 Jet-Main (High Altitude)
			125	499153	Carburetor (Gravity Feed) (For Choke A Matic and Manual Choke) (Used After Code Date 95022700). <b>Note</b> 690194 Carburetor (Gravity Feed, For Choke A Matic and Manual Choke) (Used Before Code Date 95022800). Used on Type No(s). 0026, 0101, 0102, 0108, 0111, 0113, 0114, 0115, 0121, 0128, 0129, 0137, 0140, 0160, 0161, 0162, 0163, 0164.
					693773 Carburetor (Pump Feed) (For Choke A Matic and Manual Choke) Used on Type No(s). 1194. 693194 Carburetor (Pump Feed) (For Choke A Matic and Manual Choke) (Used After Code Date 95022700). Used on Type No(s). 0112, 0117, 0122, 0127, 0138, 0141, 0142, 0189, 0612, 1192. 496796 Carburetor (Pump Feed) (For Choke A Matic and Manual Choke) (Used Before Code Date 95022800). Used on Type No(s). 0112, 0117, 0127.
					125A Carburetor (Nikki) (Service with Walbro Carburetor)

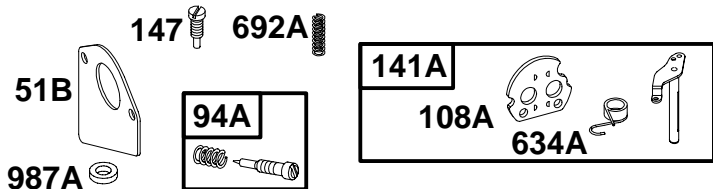
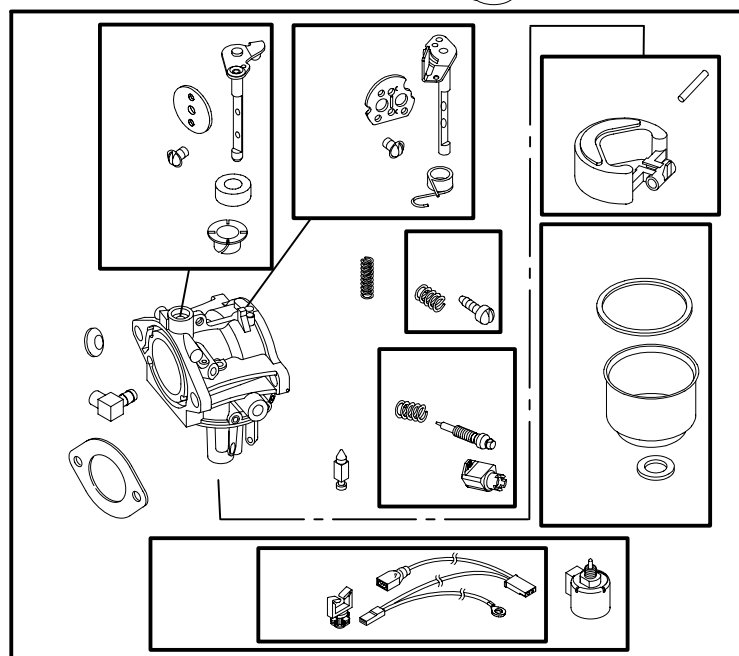
★ Included in Engine Gasket Set—See Ref. No. 358.  
△ Included in Valve Gasket Set—See Ref. No. 1095.

◆ Included in Carburetor Gasket Set—See Ref. No. 977 & 977A.  
● Included in Carburetor Overhaul Kit—See Ref No.121 & 121A.

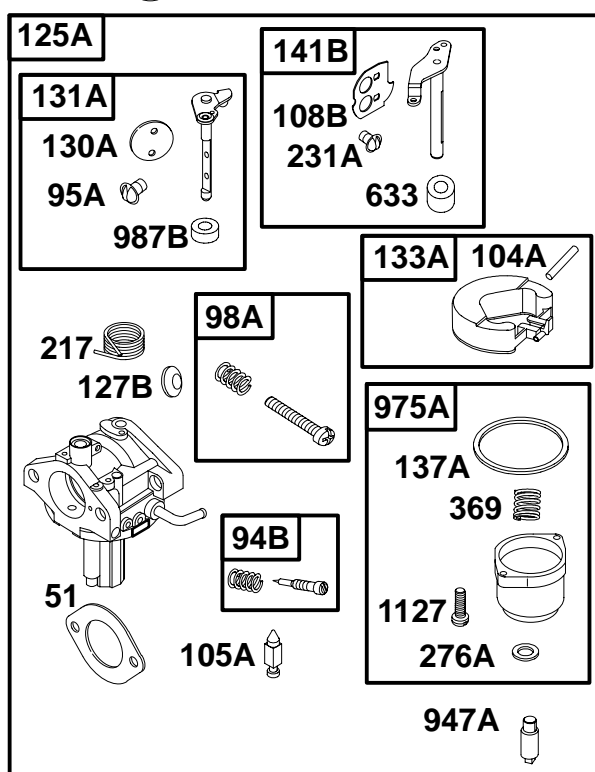


# 28N700 to 28N799

## WALBRO



## NIKKI

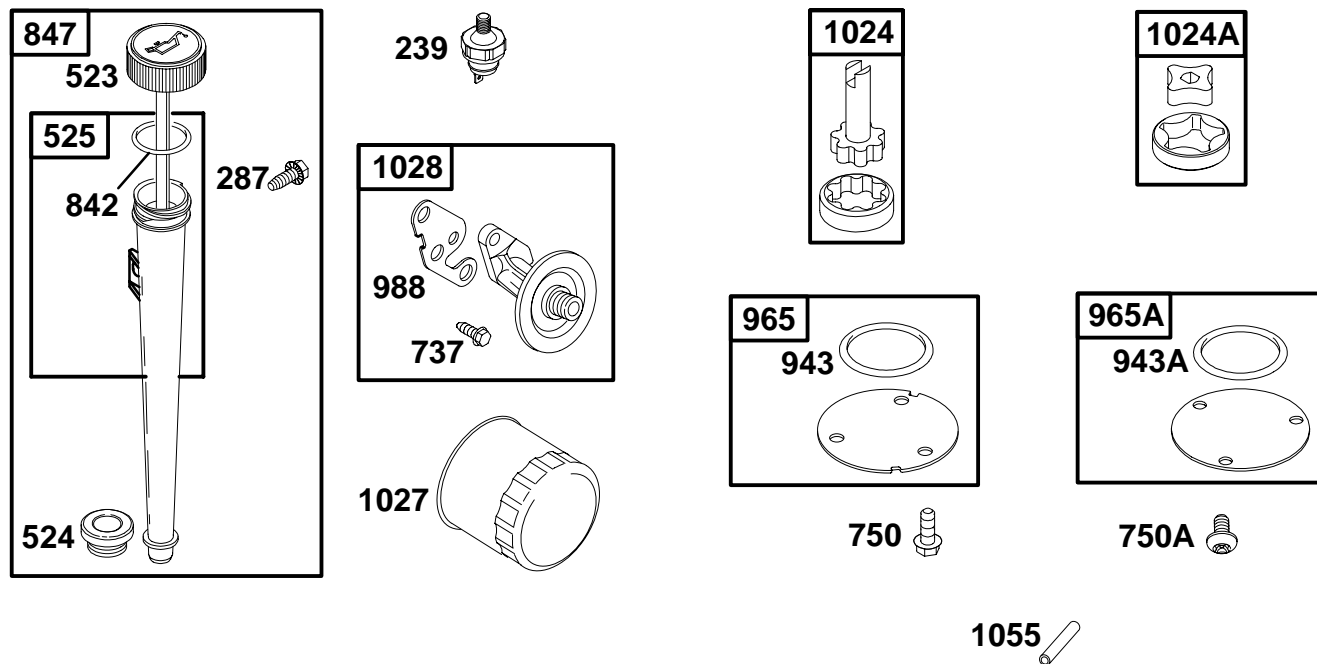


REF. NO.	PART NO.	DESCRIPTION	REF. NO.	PART NO.	DESCRIPTION	REF. NO.	PART NO.	DESCRIPTION
51	◆273650	Gasket-Intake	127B	◆690727	Plug-Welch	276A	◆695410	Washer-Sealing
51B	★◆272465	Gasket-Intake (Used Before Code Date 97100600).	130A	695418	Valve-Throttle	369	695422	Spring-Float Bowl
94A	495932	Kit-Idle Mixture	131A	695421	Kit-Throttle Shaft	633	695414	Seal-Choke/Throttle Shaft
94B	695425	Kit-Idle Mixture	133A	694914	Float-Carburetor	634A	◆690802	Spring/Seal Assembly (Choke A Matic)
95A	◆690718	Screw (Throttle Valve)	137A	◆695426	Gasket-Float Bowl	692A	691301	Spring-Detent Used on Type No(s). 1194.
98A	695408	Kit-Idle Speed	141A	495931	Kit-Choke Shaft (Choke A Matic)	947A	695423	Solenoid-Fuel
104A	◆694918	Pin-Float Hinge	141B	695420	Kit-Choke Shaft	975A	695417	Bowl-Float
105A	◆694922	Valve-Float Needle	147	◆231985	Jet-Pilot (LMT 73,74,121,122, 125,129,130,137,138)	987A	692001	Seal-Throttle Shaft (LMT 33, 34)
108A	692344	Valve-Choke (Choke A Matic)	<b>Note</b>			987B	◆281765	Seal-Throttle Shaft
108B	695419	Valve-Choke	217	695409	Spring-Choke Return	1127	695407	Screw (Float Bowl)
125A		Carburetor (Nikki) (Service with Walbro Carburetor)	231A	◆690718	Screw (Choke Valve)			

★ Included in Engine Gasket Set-See Ref. No. 358.  
 △ Included in Valve Gasket Set-See Ref. No. 1095.

◆ Included in Carburetor Gasket Set-See Ref. No. 977 & 977A.  
 ● Included in Carburetor Overhaul Kit-See Ref No.121 & 121A.



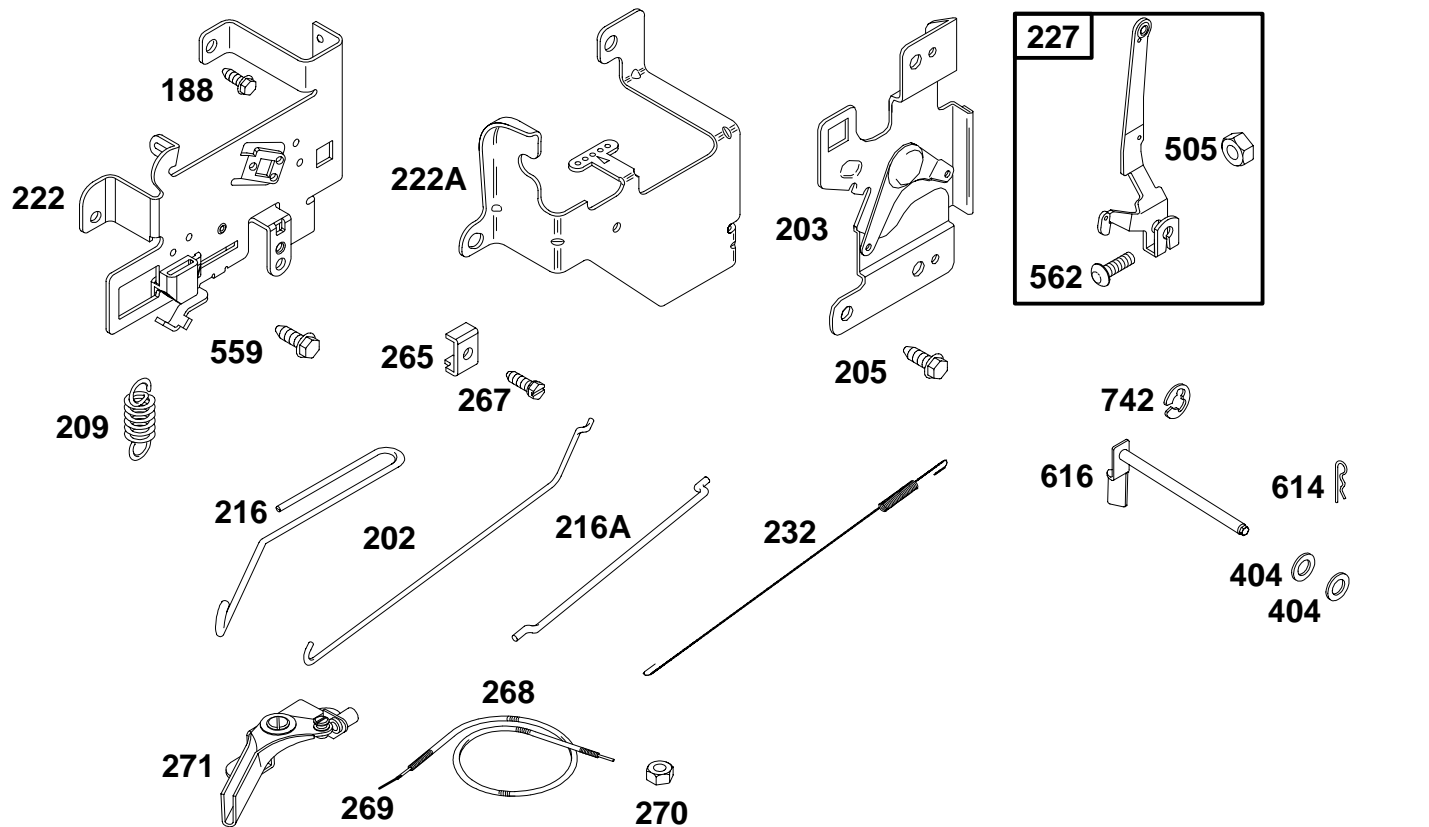


REF. NO.	PART NO.	DESCRIPTION	REF. NO.	PART NO.	DESCRIPTION	REF. NO.	PART NO.	DESCRIPTION
239	694115	Switch—Oil Pressure Used on Type No(s). 1194.	842	★270920	O—Ring Seal	988	★691317	Gasket—Oil Adapter
287	94903	Screw (Dipstick Tube)	847	496415	Dipstick/Tube Assembly	1024	493884	Pump—Oil
523	495230	Dipstick	943	★690604	O—Ring Seal (Oil Pump Cover)	1024A	499054	Pump—Oil (Used After Code Date 98063000)
524	★281370	Seal—Dipstick Tube	943A	690589	O—Ring Seal (Oil Pump Cover) (Used After Code Date 98063000)	1027	492932	Filter—Oil
525	691398	Tube—Dipstick	965	496745	Cover—Oil Pump	1028	496744	Adapter—Oil Filter
737	691118	Screw (Oil Filter Adapter)	965A	499613	Cover—Oil Pump (Used After Code Date 98063000)	1055	690528	Tube—Oil Pump
750	94786	Screw (Oil Pump Cover)						
750A	691033	Screw (Oil Pump Cover) (Used After Code Date 98063000) Used on Type No(s). 1103, 1130, 1143, 1174, 1182, 1194.						

★ Included in Engine Gasket Set—See Ref. No. 358.  
 △ Included in Valve Gasket Set—See Ref. No. 1095.

◆ Included in Carburetor Gasket Set—See Ref. No. 977 & 977A.  
 ● Included in Carburetor Overhaul Kit—See Ref. No. 121 & 121A.

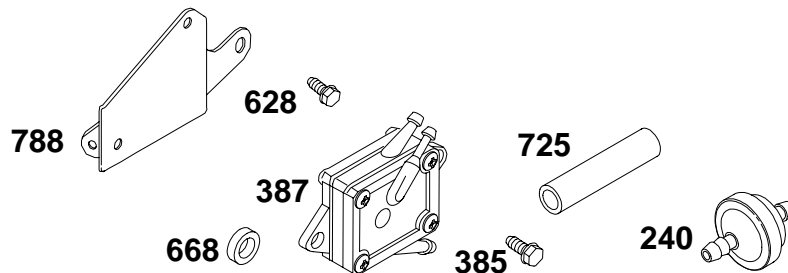
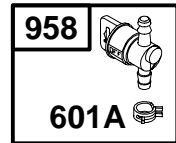
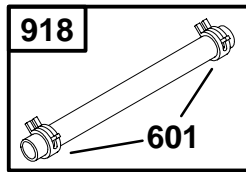
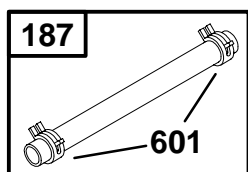
# 28N700 to 28N799



REF. NO.	PART NO.	DESCRIPTION	REF. NO.	PART NO.	DESCRIPTION	REF. NO.	PART NO.	DESCRIPTION
188	94929	Screw (Control Bracket)	216	262766	Link-Choke	270	63426	Nut (Control Wire Casing)
202	262767	Link-Mechanical Governor	216A	691281	Link-Choke	271	290568	Lever-Control
203	691381	Crank-Bell	222	694042	Bracket-Control (Used After Code Date 99011100).	404	94927	Washer (Governor Crank)
205	691693	Screw (Bell Crank)	<b>Note</b>			505	231082	Nut (Governor Lever)
209	260695	Spring-Governor	691644	Bracket- Control (Used Before Code Date 99011200).	559	690661	Screw (Remote Choke Stop)	
		<b>Note</b>	222A	694335	Bracket-Control Used on Type No(s). 1194.	562	92613	Bolt (Governor Lever)
		260871 Spring- Governor Used on Type No(s). 0108, 0111, 0112, 0127, 0128, 0140, 0163, 0612, 1128.	227	691374	Lever-Governor Control	614	93306	Pin-Cotter
		261126 Spring- Governor Used on Type No(s). 0109, 0114, 0122, 0129, 0138, 0139, 0189, 1109, 1122, 1129, 1132, 1138, 1139, 1189, 1192, 1201, 1203.	232	262785	Spring-Governor Link	616	495157	Crank-Governor
			265	221535	Clamp-Casing	742	93307	Retainer-E Ring
			267	94906	Screw (Casing Clamp)			
			268	65616	Casing-Control Wire (Cut to Length)			
			269	26633	Wire-Control (Cut to Length)			

★ Included in Engine Gasket Set—See Ref. No. 358.  
 △ Included in Valve Gasket Set—See Ref. No. 1095.

◆ Included in Carburetor Gasket Set—See Ref. No. 977 & 977A.  
 ● Included in Carburetor Overhaul Kit—See Ref. No. 121 & 121A.

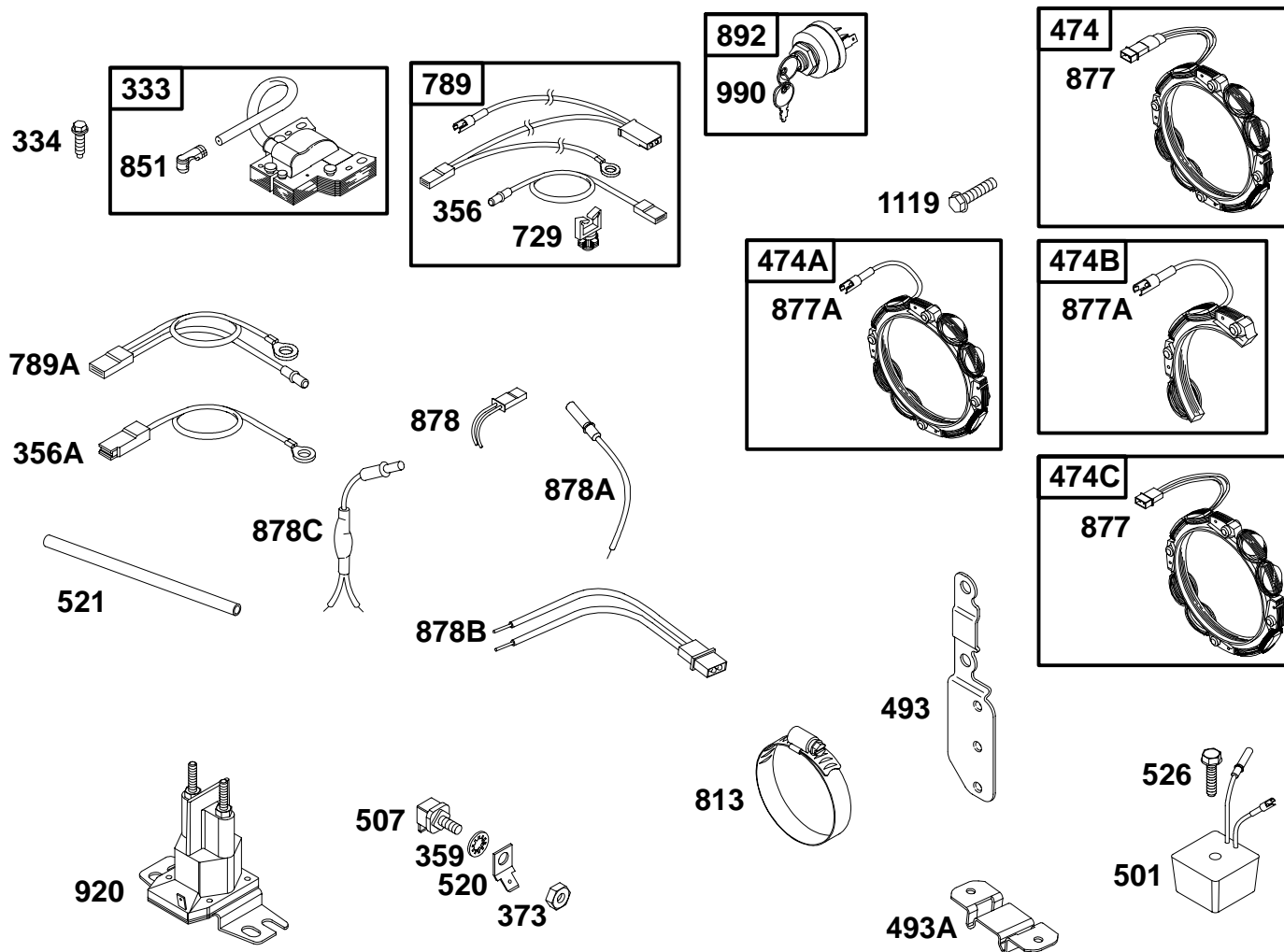


REF. NO.	PART NO.	DESCRIPTION	REF. NO.	PART NO.	DESCRIPTION	REF. NO.	PART NO.	DESCRIPTION
187	298049	Line-Fuel (Cut To Length)	385	94786	Screw (Fuel Pump)	628	690661	Screw (Pump Bracket)
240	298090	Filter-Fuel	387	808656	Pump-Fuel	668	690510	Spacer
		<b>Note</b>	601	95162	Clamp-Hose (Red)	725	690403	Shield-Heat
		394358 Filter-Fuel Used on Type No(s). 1138, 1189, 1192, 1201.	601A	93807	Clamp-Hose (Black)	788	690458	Bracket-Fuel Pump
						918	393815	Hose-Vacuum (Cut To Length)
						958	494768	Valve-Fuel Shut Off

★ Included in Engine Gasket Set—See Ref. No. 358.  
 △ Included in Valve Gasket Set—See Ref. No. 1095.

◆ Included in Carburetor Gasket Set—See Ref. No. 977 & 977A.  
 ● Included in Carburetor Overhaul Kit—See Ref No.121 & 121A.

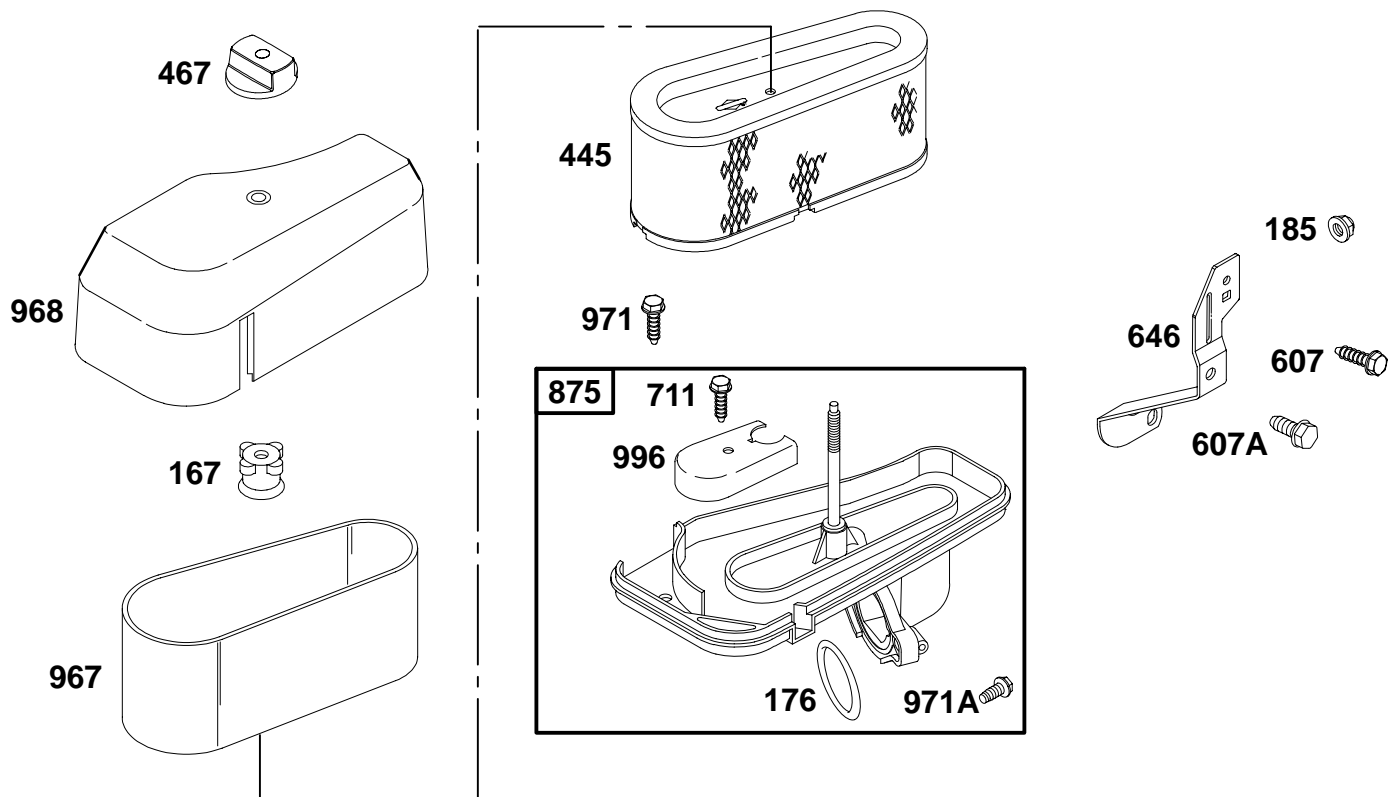
# 28N700 to 28N799



REF. NO.	PART NO.	DESCRIPTION	REF. NO.	PART NO.	DESCRIPTION	REF. NO.	PART NO.	DESCRIPTION
333	495859	Armature-Magneto	493A	691177	Bracket-Mounting (Used Before Code Date 99070600).	789	497708	Harness-Wiring
334	94731	Screw (Magneto Armature)	501	491546	Regulator	789A	693000	Harness-Wiring
356	690807	Wire-Stop	507	398525	Insulator	813	690635	Clamp
356A	398808	Wire-Stop	520	691084	Terminal-Ground	851	692424	Terminal-Sparkplug
359	691077	Washer (Ground Terminal)	521	690581	Shield-Cable	877	393456	Wire/Connector-Alternator
373	90576	Nut (Ground Terminal)	526	694476	Screw (Regulator) (Used After Code Date 99070500).	877A	393537	Wire/Connector-Alternator
474	393474	Alternator	<p align="center"><b>Note</b></p>		878	393362	Harness-Alternator	
474A	392595	Alternator			878A	393422	Harness-Alternator	
474B	391529	Alternator	690326	Screw (Regulator) (Used Before Code Date 99070600).	878B	399916	Harness-Alternator	
474C	393295	Alternator	729	691335	Clip-Wire	878C	392606	Harness-Alternator
493	694475	Bracket-Mounting (Used After Code Date 99070500).				892	493625	Switch-Key
						920	807829	Solenoid-Starter
						990	392832	Key Set
						1119	93621	Screw (Alternator)

★ Included in Engine Gasket Set—See Ref. No. 358.  
 △ Included in Valve Gasket Set—See Ref. No. 1095.

◆ Included in Carburetor Gasket Set—See Ref. No. 977 & 977A.  
 ● Included in Carburetor Overhaul Kit—See Ref. No. 121 & 121A.

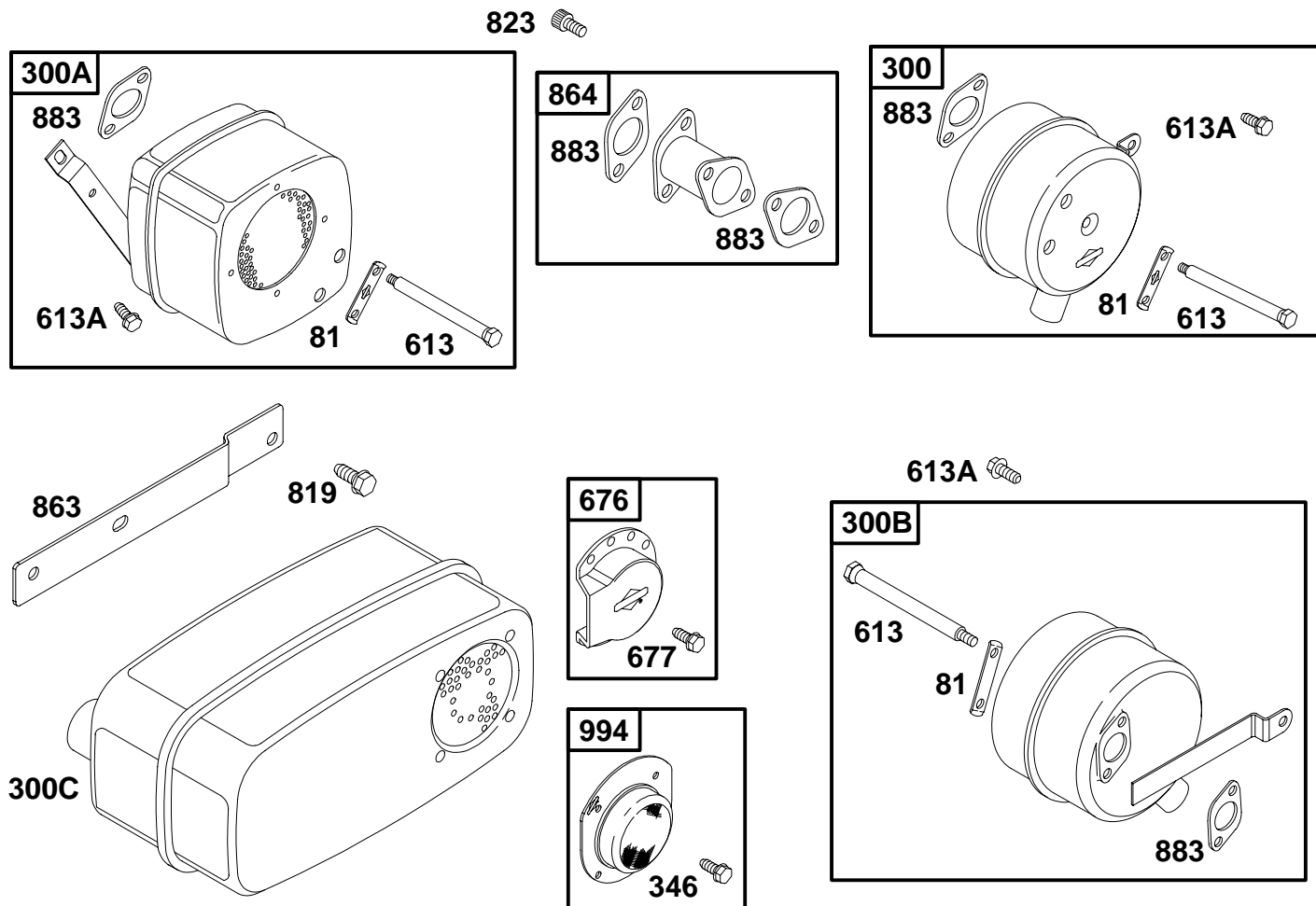


REF. NO.	PART NO.	DESCRIPTION	REF. NO.	PART NO.	DESCRIPTION	REF. NO.	PART NO.	DESCRIPTION
167	281051	Seal—Air Cleaner Nut (Air Cleaner Base)	646	690460	Brace—Air Cleaner	971	692129	Screw (Air Cleaner Base to Carburetor)
176	★281106	O—Ring Seal (Air Cleaner Base)	711	690703	Screw (Carburetor Shield)			(Used After Code Date 97100500).
185	94010	Nut (Air Cleaner Base)	875	693686	Base—Air Cleaner			<b>Note</b>
445	496894	Filter—Air Cleaner Cartridge	967	272403	Filter—Pre Cleaner			690810 Screw (Air Cleaner Base to Carburetor)
467	493903	Knob—Air Cleaner	968	691332	Cover—Air Cleaner			(Used Before Code Date 97100600).
607	690703	Screw (Air Cleaner Brace)				971A	693675	Screw (Air Cleaner Base to Carburetor)
607A	691693	Screw (Air Cleaner Brace)				996	690678	Shield—Carburetor

★ Included in Engine Gasket Set—See Ref. No. 358.  
 Δ Included in Valve Gasket Set—See Ref. No. 1095.

◆ Included in Carburetor Gasket Set—See Ref. No. 977 & 977A.  
 ● Included in Carburetor Overhaul Kit—See Ref. No. 121 & 121A.

# 28N700 to 28N799

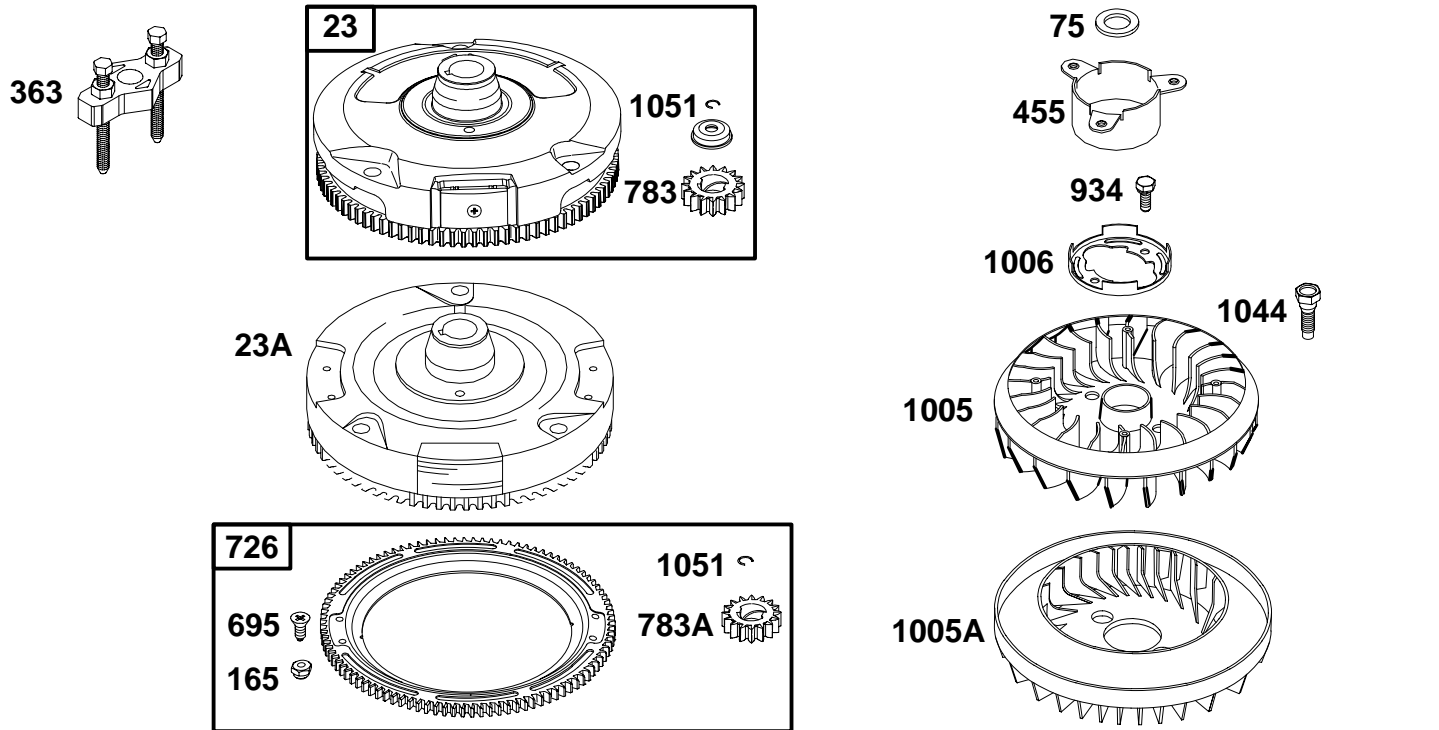


REF. NO.	PART NO.	DESCRIPTION	REF. NO.	PART NO.	DESCRIPTION	REF. NO.	PART NO.	DESCRIPTION
81	691178	Lock-Muffler Screw	346	690661	Screw (Spark Arrestor)	823	690363	Screw (Muffler Adapter)
300	495805	Muffler	613	93927	Screw (Exhaust Muffler)	863	691204	Bracket-Muffler
300A	496022	Muffler	613A	691678	Screw (Exhaust Muffler)	864	495864	Adapter-Muffler
300B	495882	Muffler	676	393761	Muffler Deflector	883	★272293	Gasket-Exhaust
300C	498984	Muffler (Used After Code Date 97012300).	677	690661	Screw (Muffler Deflector)	994	392390	Arrestor-Spark
		<b>Note</b>	819	690297	Screw (Muffler Bracket)			
		493963 Muffler (Used Before Code Date 97012400).						

★ Included in Engine Gasket Set—See Ref. No. 358.  
 △ Included in Valve Gasket Set—See Ref. No. 1095.

◆ Included in Carburetor Gasket Set—See Ref. No. 977 & 977A.  
 ● Included in Carburetor Overhaul Kit—See Ref. No. 121 & 121A.

28N700 to 28N799

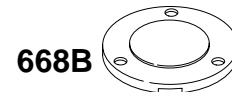
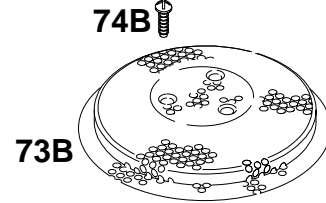
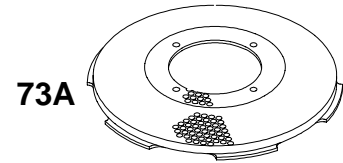
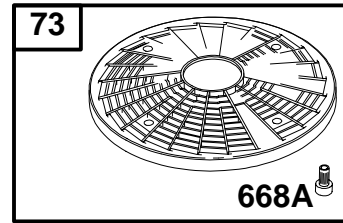
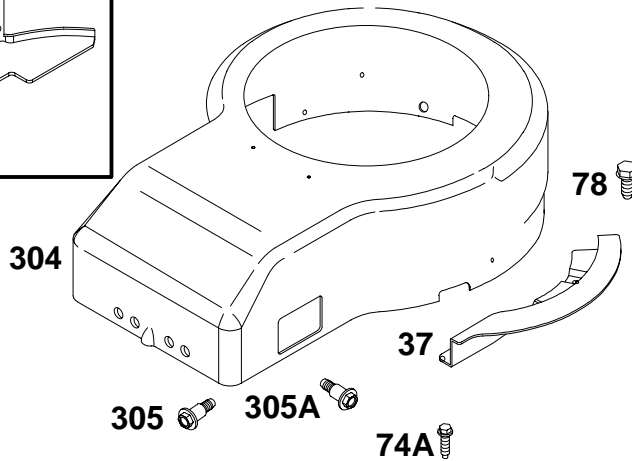
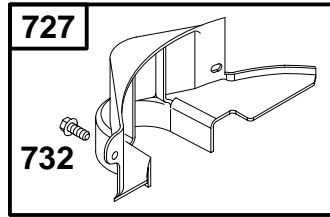


REF. NO.	PART NO.	DESCRIPTION	REF. NO.	PART NO.	DESCRIPTION	REF. NO.	PART NO.	DESCRIPTION
23	693557	Flywheel (Steel Ring Gear) <b>Note</b> 693556 Flywheel (Steel Ring Gear) Used on Type No(s). 0036, 0109, 0111, 0114, 0127, 0129, 0138, 0139, 0140, 0142, 0181, 1036, 1109, 1129, 1138, 1139, 1142, 1181, 1196.	75	225136	Washer (Flywheel)	783	693713	Gear-Pinion (For Steel Ring Gear Only)
			165	693148	Nut (Ring Gear)	783A	693059	Gear-Pinion (For Aluminum Ring Gear Only)
			363	19203	Flywheel Puller			
			455	691173	Cup-Flywheel <b>Note</b> 695113 Cup-Flywheel Used on Type No(s). 1128.	934	94627	Screw (Fan Retainer)
			695	693109	Screw (Ring Gear)	1005	695492	Fan-Flywheel (Used After Code Date 00040200). <b>Note</b> 281400 Fan-Flywheel (Used Before Code Date 00040300).
23A	690222	Flywheel (Plastic Ring Gear) <b>Note</b> 692682 Flywheel (Plastic Ring Gear) Used on Type No(s). 0036, 0109, 0111, 0114, 0127, 0129, 0138, 0139, 0140, 0142, 0181, 1036, 1109, 1129, 1138, 1139, 1142, 1181.	726	399676	Gear-Ring (Aluminum) (Services Plastic Ring Gear Only) Used on Type No(s). 0036, 0109, 0111, 0114, 0127, 0129, 0138, 0139, 0140, 0142, 0181, 1036, 1109, 1129, 1138, 1139, 1142, 1181.	1005A	280687	Fan-Flywheel <b>Note</b> 695056 Fan-Flywheel Used on Type No(s). 1128.
						1006	690452	Retainer-Fan
						1044	691658	Screw (Flywheel)
						1051	263080	Ring-Retaining

★ Included in Engine Gasket Set—See Ref. No. 358.  
 △ Included in Valve Gasket Set—See Ref. No. 1095.

◆ Included in Carburetor Gasket Set—See Ref. No. 977 & 977A.  
 ● Included in Carburetor Overhaul Kit—See Ref. No. 121 & 121A.

# 28N700 to 28N799



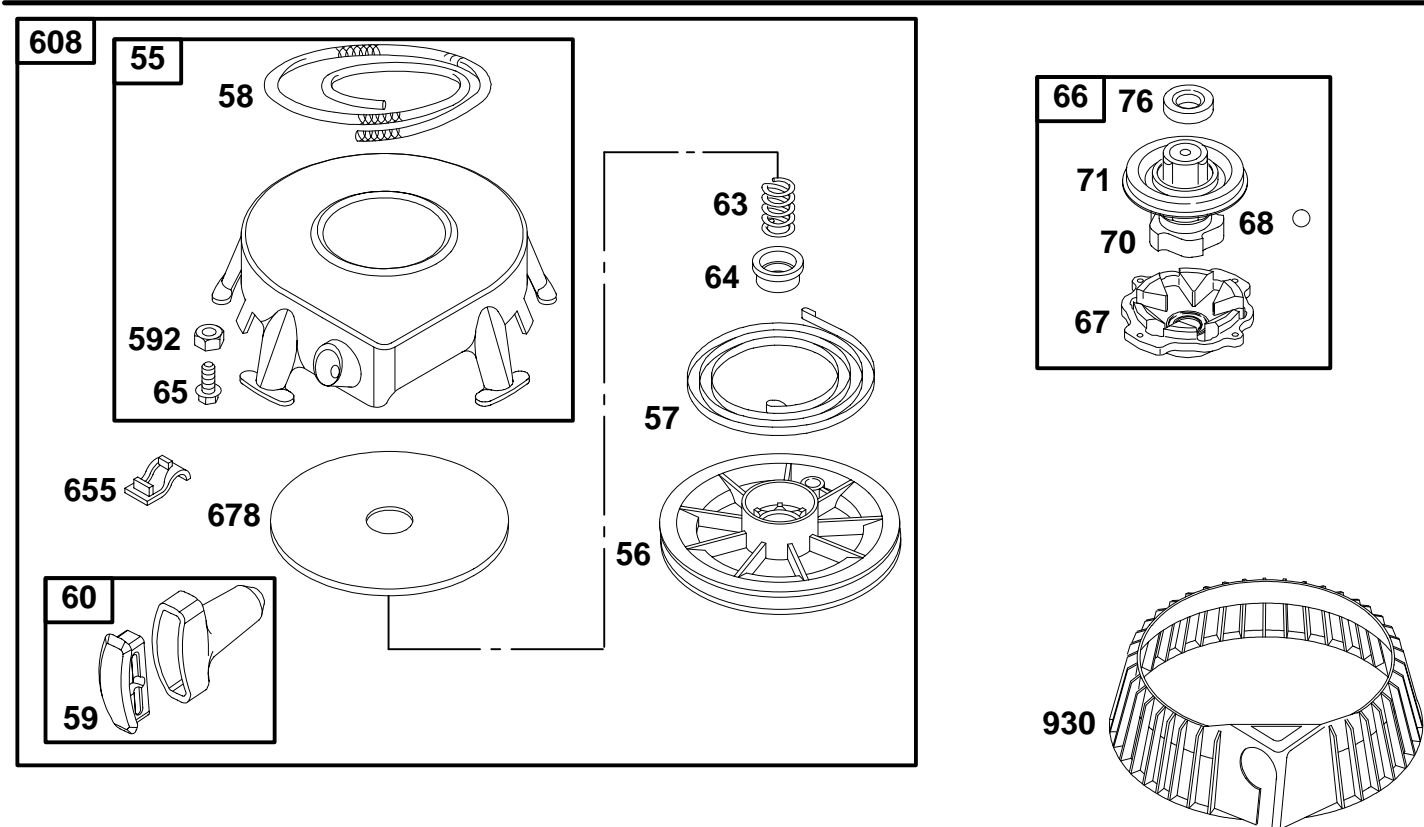
**1036 EMISSIONS LABEL**

REF. NO.	PART NO.	DESCRIPTION	REF. NO.	PART NO.	DESCRIPTION	REF. NO.	PART NO.	DESCRIPTION
37	690456	Guard-Flywheel	304	691399	Housing-Blower (Red)	732	94903	Screw (Starter Drive Cover)
73	691055	Screen-Rotating (Used After Code Date 00040200).			<b>Note</b>	1036	695700	Label-Emissions (Used After Code Date 00063000).
		<b>Note</b>			690847			<b>Note</b>
		494439			Housing-Blower (Black)			694997
		Screen-Rotating (Used Before Code Date 00040300).			695065			Label-Emissions (Used After Code Date 99093000 and Before Code Date 00070100).
73A	691191	Screen-Rotating			Housing-Blower (Used After Code Date 99102400).			694318
73B	690492	Screen-Rotating			Used on Type No(s). 1128.			Label-Emissions (Used After Code Date 98123100 and Before Code Date 99100100).
74	691057	Screw (Rotating Screen) (Used After Code Date 00040200).			691400			Label-Emissions (Used Before Code Date 00040300).
		<b>Note</b>			Housing-Blower (Used Before Code Date 99102500).			499364
		94821			Used on Type No(s). 1128.			Label-Emissions (Used Before Code Date 99010100 and After Code Date 97063000).
74A	93758	Screw (Rotating Screen)	305	692129	Screw (Blower Housing)			499363
74B	94626	Screw (Rotating Screen)	305A	690960	Screw (Blower Housing)			Label-Emissions (Used Before Code Date 97070100).
78	94896	Screw (Flywheel Guard)	668A	691500	Spacer			
			668B	691323	Spacer			
			727	490324	Cover-Starter Drive			

★ Included in Engine Gasket Set-See Ref. No. 358.  
 △ Included in Valve Gasket Set-See Ref. No. 1095.

◆ Included in Carburetor Gasket Set-See Ref. No. 977 & 977A.  
 ● Included in Carburetor Overhaul Kit-See Ref No.121 & 121A.



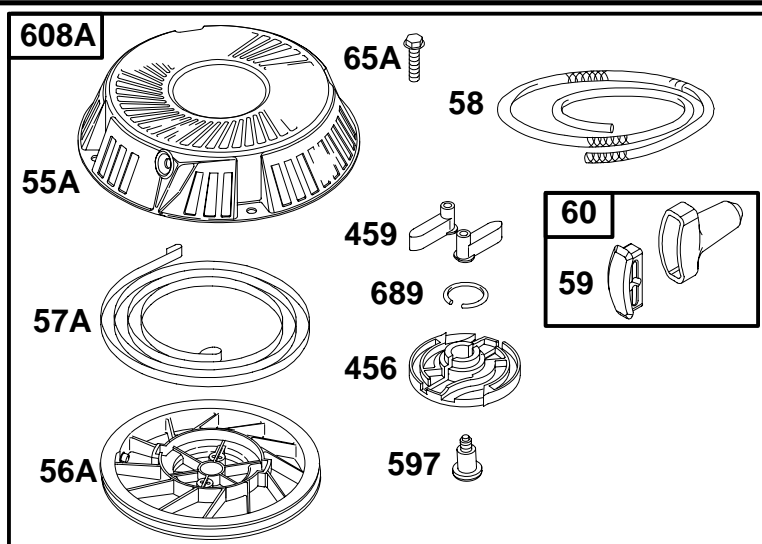


REF. NO.	PART NO.	DESCRIPTION	REF. NO.	PART NO.	DESCRIPTION	REF. NO.	PART NO.	DESCRIPTION
55	393576	Housing-Rewind Starter	63	260414	Spring-Ratchet	71	691359	Cover-Ratchet
56	295871	Pulley-Starter	64	281204	Adapter-Ratchet Spring	76	68238	Seal-Ratchet
57	490179	Spring-Rewind Starter	65	690837	Screw (Rewind Starter)	592	690800	Nut (Rewind Starter)
58	66884	Rope-Rewind Starter (63" Long, Cut to Required Length)	66	399671	Clutch-Starter	608	390391	Starter-Rewind
59	490653	Insert-Grip	67	394897	Housing-Clutch	655	222598	Anchor-Rewind Spring
60	490652	Grip-Starter Rope	68	63770	Ball-Clutch	678	490817	Spacer-Rewind
			70	298799	Ratchet-Clutch	930	280685	Guard-Rewind

★ Included in Engine Gasket Set—See Ref. No. 358.  
 △ Included in Valve Gasket Set—See Ref. No. 1095.

◆ Included in Carburetor Gasket Set—See Ref. No. 977 & 977A.  
 ● Included in Carburetor Overhaul Kit—See Ref. No. 121 & 121A.

# 28N700 to 28N799

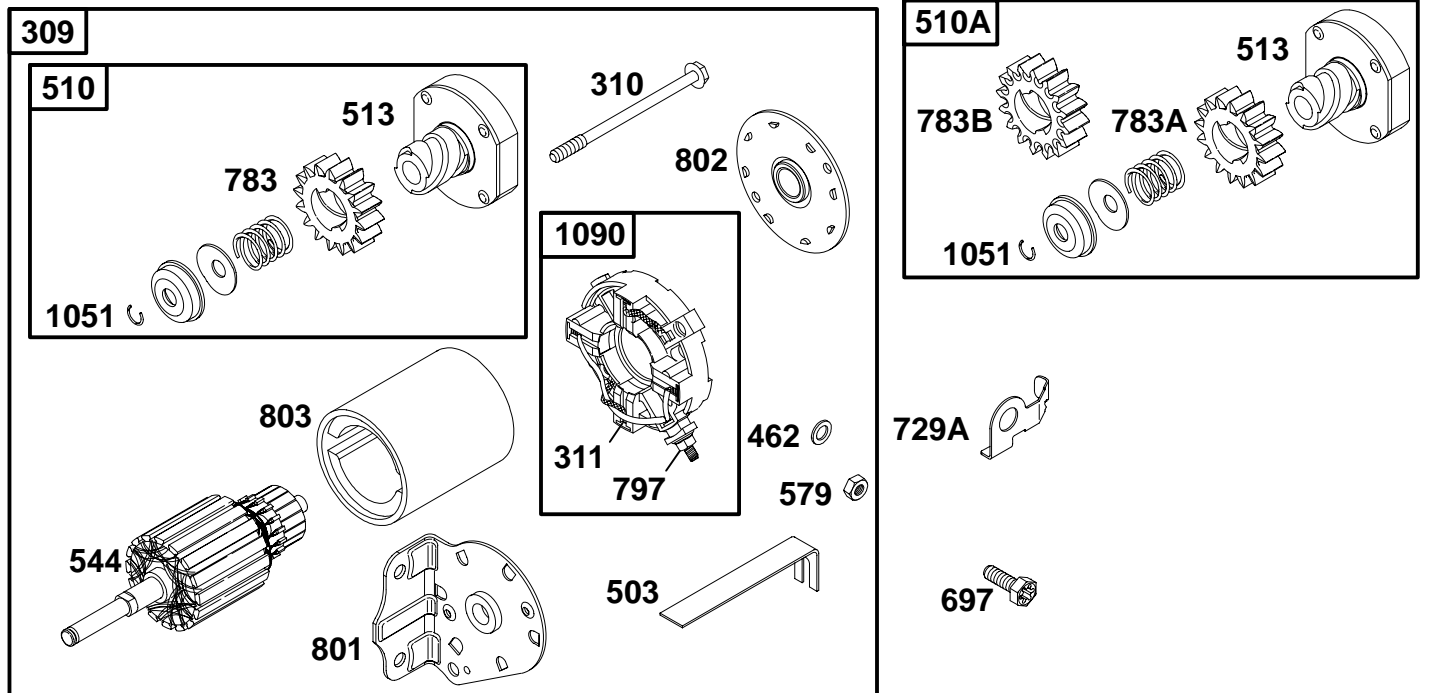


REF. NO.	PART NO.	DESCRIPTION	REF. NO.	PART NO.	DESCRIPTION	REF. NO.	PART NO.	DESCRIPTION
55A	695130	Housing-Rewind Starter	59	490653	Insert-Grip Length)	597	94943	Screw (Pawl Friction Plate)
56A	695129	Pulley-Starter	60	490652	Grip-Starter Rope	608A	695058	Starter-Rewind Used on Type No(s). 1128.
57A	695131	Spring-Rewind Starter	65A	695453	Screw (Rewind Starter)	689	263073	Spring-Friction
58	695132	Rope-Starter (59" Length) (Cut To Required)	456	695128	Plate-Pawl Friction			
			459	281505	Pawl-Ratchet			

★ Included in Engine Gasket Set-See Ref. No. 358.  
 △ Included in Valve Gasket Set-See Ref. No. 1095.

◆ Included in Carburetor Gasket Set-See Ref. No. 977 & 977A.  
 ● Included in Carburetor Overhaul Kit-See Ref No.121 & 121A.

## 28N700 to 28N799

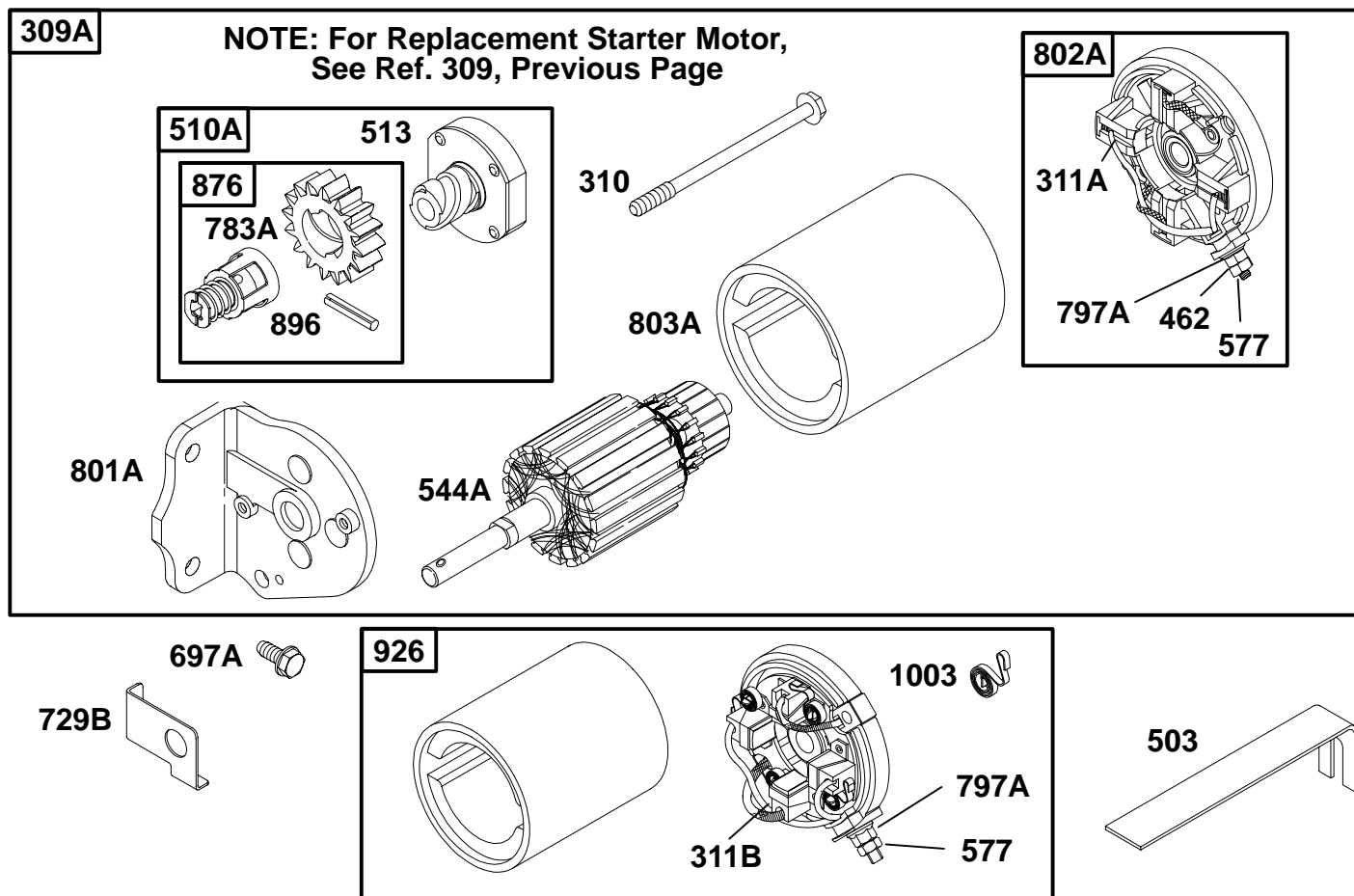


REF. NO.	PART NO.	DESCRIPTION	REF. NO.	PART NO.	DESCRIPTION	REF. NO.	PART NO.	DESCRIPTION
309	693551	Motor-Starter (3 5/8" Housing Length For Steel Ring Gear Only)	310	690323	Bolt (Starter Motor 3 5/8" Housing Length)	783	693713	Gear-Pinion (For Steel Ring Gear Only)
		<b>Note</b>			<b>Note</b>	783A	693059	Gear-Pinion (For Aluminum Ring Gear Only)
	693552	Motor-Starter (4 3/8" Housing Length For Steel Ring Gear Only)	311	497608	Brush Set	783B	693058	Gear-Pinion (For Plastic Ring Gear Only)
	497595	Motor-Starter (3 5/8" Housing Length For Plastic Ring Gear Only)	462	225137	Washer (Starter Cable)	797	693167	Nut (Brush Retainer)
	497401	Motor-Starter (4 3/8" Housing Length For Plastic Ring Gear Only)	503	691532	Strap-Starter	801	691429	Cap-Drive
	693054	Motor-Starter (3 5/8" Housing Length For Aluminum Ring Gear Only)	510	693699	Drive-Starter (Used With Steel Ring Gear)	802	497607	Cap-End
	499521	Motor-Starter (4 3/8" Housing Length For Aluminum Ring Gear Only)	510A	497606	Drive-Starter (Used With Aluminum & Plastic Ring Gears)	803	693757	Housing-Starter (3 5/8" Housing Length) (4 3/8" Housing Length Serviced by Ref. 309)
			513	398003	Clutch-Drive	1051	263080	Ring-Retaining
			544	497603	Armature-Starter (3 5/8" Housing Length)	1090	497605	Retainer-Brush
			579	92278	Nut (Starter Cable)			
			697	690372	Screw (Drive Cap)			
			729A	691224	Clip-Wire			

★ Included in Engine Gasket Set—See Ref. No. 358.  
 △ Included in Valve Gasket Set—See Ref. No. 1095.

◆ Included in Carburetor Gasket Set—See Ref. No. 977 & 977A.  
 ● Included in Carburetor Overhaul Kit—See Ref. No. 121 & 121A.

# 28N700 to 28N799

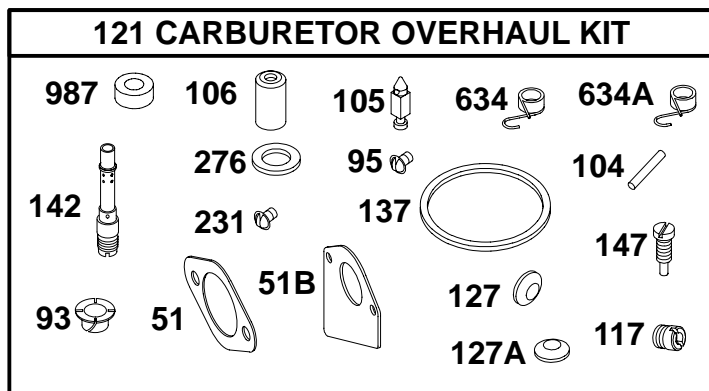


REF. NO.	PART NO.	DESCRIPTION	REF. NO.	PART NO.	DESCRIPTION	REF. NO.	PART NO.	DESCRIPTION
<b>309A</b>		Motor-Starter (For Replacement Starter Motor, See Ref 309, Previous Page)	<b>462</b>	<b>690288</b>	Washer (Starter Cable)	<b>802A</b>	<b>395537</b>	Cap-End (For 3 5/8" Housing Length)
<b>310</b>	<b>690323</b>	Bolt (Starter Motor) (For 3 5/8" Housing Length)	<b>503</b>	<b>691532</b>	Strap-Starter			<b>Note</b>
		<b>Note</b>	<b>510A</b>	<b>495878</b>	Drive-Starter			<b>494988</b> Cap-End (For 4 3/8" Housing Length)
		<b>691263</b> Bolt (Starter Motor) (For 4 3/8" Housing Length)	<b>513</b>	<b>398003</b>	Clutch-Drive	<b>803A</b>	<b>398159</b>	Housing-Starter (For 3 5/8" Housing Length)
		<b>692329</b> Bolt (Starter Motor) (For 4 9/16" Housing Length)	<b>544A</b>	<b>390837</b>	Armature-Starter (For 3 5/8" Housing Length)			<b>Note</b>
					<b>Note</b>			<b>494205</b> Housing-Starter (For 4 3/8" Housing Length)
<b>311A</b>	<b>395538</b>	Brush Set (For 3 5/8" Housing Length)	<b>577</b>	<b>93715</b>	Nut (Starter Cable)	<b>876</b>	<b>495877</b>	Kit-Pinion Spring
			<b>697A</b>	<b>94627</b>	Screw (Drive Cap)	<b>896</b>	<b>94288</b>	Pin-Drive Retainer
<b>311B</b>	<b>490311</b>	Brush Set (For 4 9/16" Housing Length)	<b>729B</b>	<b>224723</b>	Clip-Wire	<b>926</b>	<b>498233</b>	Kit-Housing/Cap (For 4 9/16" Housing Length)
			<b>783A</b>	<b>693059</b>	Gear-Pinion	<b>1003</b>	<b>490316</b>	Spring-Brush (For 4 9/16" Housing Length)
			<b>797A</b>	<b>94010</b>	Nut (Brush Retainer)			
			<b>801A</b>	<b>394856</b>	Cap-Drive			

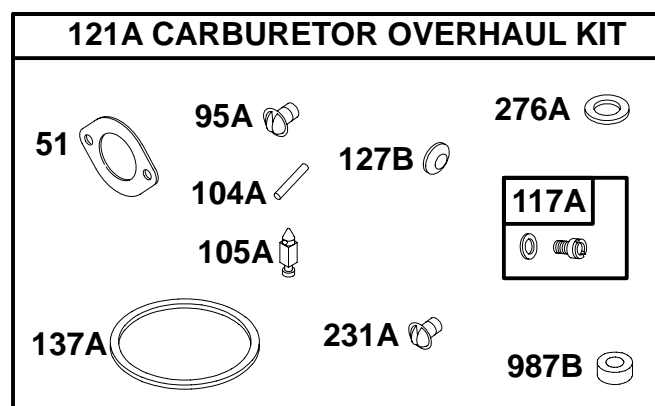
★ Included in Engine Gasket Set—See Ref. No. 358.  
 △ Included in Valve Gasket Set—See Ref. No. 1095.

◆ Included in Carburetor Gasket Set—See Ref. No. 977 & 977A.  
 ● Included in Carburetor Overhaul Kit—See Ref. No. 121 & 121A.

## WALBRO



## NIKKI



REF. NO.	PART NO.	DESCRIPTION	REF. NO.	PART NO.	DESCRIPTION	REF. NO.	PART NO.	DESCRIPTION		
51★◆	273650	Gasket-Intake (Used After Code Date 97100600).	117	●692408	Jet-Main (Standard-LMT 153, 154, 155)	127	●695005	Plug-Welch		
51B★◆	272465	Gasket-Intake (Used Before Code Date 97100600).			<b>Note</b>	127A	●694530	Plug-Welch		
93	●690602	Bushing-Throttle Shaft			●232061	Jet-Main (Standard LMT 33, 34, 73, 74, 76, 121, 122, 125, 126, 128, 129, 130, 132, 137, 138)	127B	●690727	Plug-Welch	
95	●94098	Screw (Throttle Valve)			●232115	Jet-Main (Standard LMT 149, 150)	137	◆●281165	Gasket-Float Bowl	
95A	●690718	Screw (Throttle Valve)					137A	◆●695426	Gasket-Float Bowl	
104	●690525	Pin-Float Hinge	117A	●695415	Jet-Main		142	●692412	Nozzle-Carburetor (LMT 149,150,153, 154,155,156)	
104A	●694918	Pin-Float Hinge			<b>Note</b>				<b>Note</b>	
105	●231855	Valve-Float Needle			●695416	Jet-Main (High Altitude)			●231990	Nozzle-Carburetor (LMT 33,34,73,74, 121,122,125,129, 130,137,138)
105A	●694922	Valve-Float Needle			●690191	Kit-Carburetor Overhaul (Used After Code Date 97100500).	147	●231985	Jet-Pilot (LMT 73,74,121,122, 125,129,130,137,138)	
106	●231854	Seat-Inlet (Gravity Feed)	121						<b>Note</b>	
		<b>Note</b>			499233	Kit-Carburetor Overhaul (Used After Code Date 96072500 and Before Code Date 97100600).	231	●94098	Screw (Choke Valve)	
		●231856					231A	●690718	Screw (Choke Valve)	
		Seat-Inlet (Pump Feed) Used on Type No(s). 0112, 0117, 0127, 0139, 0141, 0612.			498116	Kit-Carburetor Overhaul (Used Before Code Date 96072600).	276	●●281164	Washer-Sealing	
							276A	●●695410	Washer-Sealing	
							634	●690801	Spring/Seal Assembly (Manual Choke)	
							634A	●690802	Spring/Seal Assembly (Choke A Matic)	
			121A	695427	Kit-Carburetor Overhaul		987	●691326	Seal-Throttle Shaft	
							987B	●281765	Seal-Throttle Shaft	

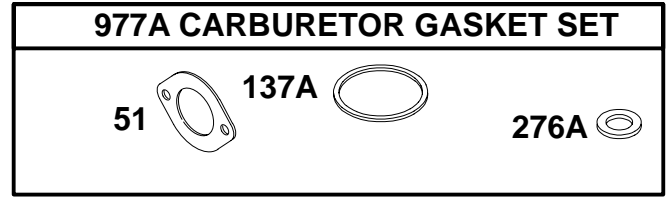
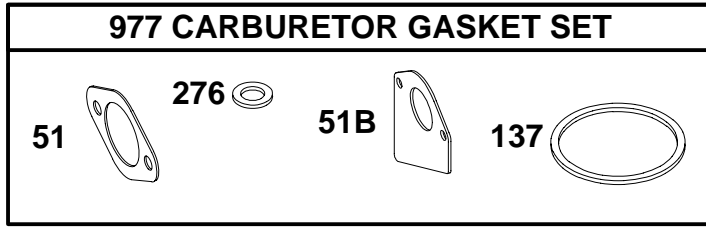
★ Included in Engine Gasket Set-See Ref. No. 358.  
 △ Included in Valve Gasket Set-See Ref. No. 1095.

◆ Included in Carburetor Gasket Set-See Ref. No. 977 & 977A.  
 ● Included in Carburetor Overhaul Kit-See Ref No.121 & 121A.

# 28N700 to 28N799

## WALBRO

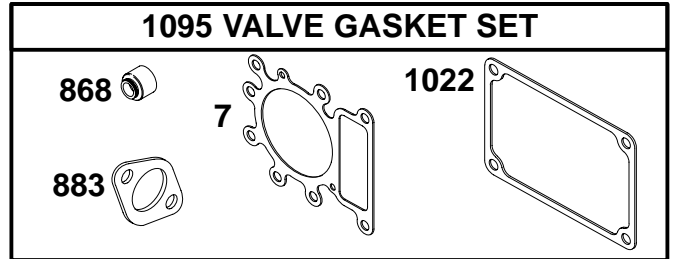
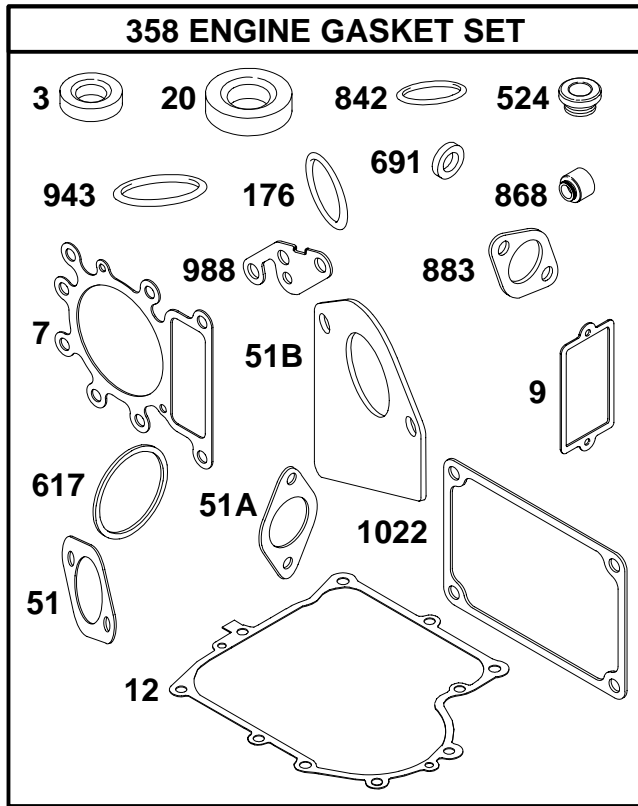
## NIKKI



REF. NO.	PART NO.	DESCRIPTION	REF. NO.	PART NO.	DESCRIPTION	REF. NO.	PART NO.	DESCRIPTION
51★◆	273650	Gasket-Intake (Used After Code Date 97100600).	137A ◆	695426	Gasket-Float Bowl	977	690192	Gasket Set-Carburetor (Used After Code Date 97100500).
51B★◆	272465	Gasket-Intake (Used Before Code Date 97100600).	276 ◆	281164	Washer-Sealing			<b>Note</b>
137 ◆	281165	Gasket-Float Bowl	276A ◆	695410	Washer-Sealing			494385 Gasket Set-Carburetor (Used Before Code Date 97060600).
						977A	695428	Gasket Set-Carburetor

★ Included in Engine Gasket Set-See Ref. No. 358.  
 △ Included in Valve Gasket Set-See Ref. No. 1095.

◆ Included in Carburetor Gasket Set-See Ref. No. 977 & 977A.  
 ● Included in Carburetor Overhaul Kit-See Ref. No. 121 & 121A.



REF. NO.	PART NO.	DESCRIPTION	REF. NO.	PART NO.	DESCRIPTION	REF. NO.	PART NO.	DESCRIPTION
3	★391086	Seal—Oil (Magneto Side)	51A	★272569	Gasket—Intake (Used Before Code Date 97100600).	842	★270920	O—Ring Seal
7	Δ★273280	Gasket—Cylinder Head	51B	★◆272465	Gasket—Intake (Used Before Code Date 97100600).	868	Δ★690968	Seal—Valve
9	★27803	Gasket—Breather	176	★281106	O—Ring Seal (Air Cleaner Base)	883	Δ★272293	Gasket—Exhaust
12	★271916	Gasket—Crankcase (.015 Thick, Standard)	358	691580	Gasket Set—Engine (Used After Code Date 97100500).	943	★690604	O—Ring Seal (Oil Pump Cover)
		<b>Note</b>			<b>Note</b>	988	★691317	Gasket—Oil Adapter
		★271997 Gasket—Crankcase (.005 Thick)			495993 Gasket Set—Engine (Used Before Code Date 97100600).	1022	Δ★272475	Gasket—Rocker Cover
		★271996 Gasket—Crankcase (.009 Thick)				1095	691581	Gasket Set—Valve (Used After Code Date 97100500).
20	★291675	Seal—Oil (PTO Side)						<b>Note</b>
51	★◆273650	Gasket—Intake (Used After Code Date 97100500).	524	★281370	Seal—Dipstick Tube			495992 Gasket Set—Valve (Used Before Code Date 97100600).
			617	★692138	O—Ring Seal (Intake Manifold) (Used After Code Date 97100500).			
			691	★491323	Seal—Governor Shaft			

★ Included in Engine Gasket Set—See Ref. No. 358.  
 Δ Included in Valve Gasket Set—See Ref. No. 1095.

◆ Included in Carburetor Gasket Set—See Ref. No. 977 & 977A.  
 ● Included in Carburetor Overhaul Kit—See Ref No.121 & 121A.