

## 28D700 to 28D799

# Illustrated Parts List

## Model Series

### 28D700 to 28D799

#### TYPE NUMBERS

0025, 0027, 0028,  
0101, 0102, 0116,  
0117, 0118, 0123,  
0124, 0125, 0126,  
0130, 0132, 0133,  
0134, 0135, 0137,  
0138, 0140, 0191,  
0604, 0643, 1025,  
1028, 1101, 1123,  
1125, 1126, 1130,  
1133, 1134, 1135,  
1137, 1140, 1148.

#### TO FIND

#### THE CORRECT NUMBER OF THE PART YOU NEED: FOLLOW THE INSTRUCTIONS BELOW

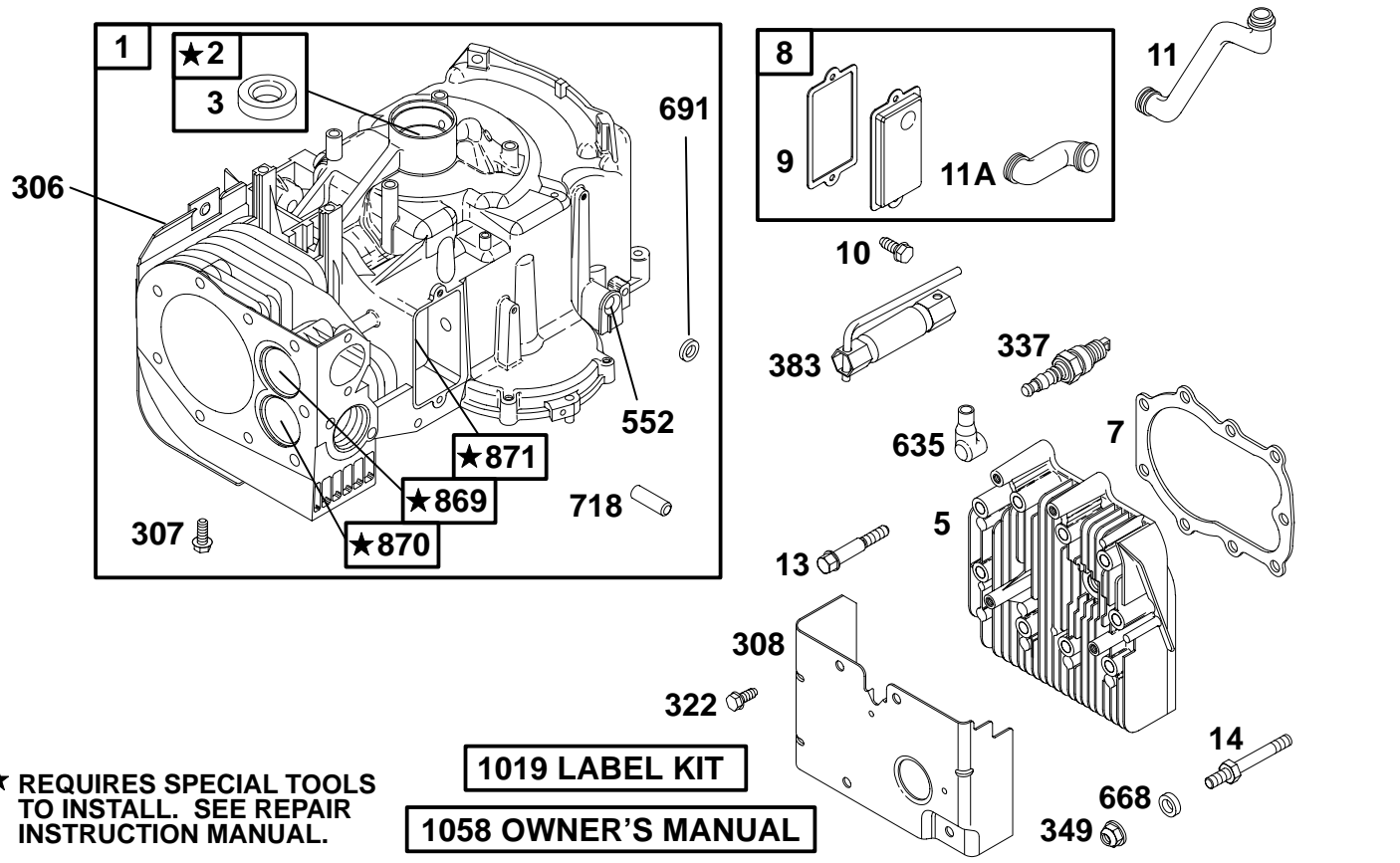
- A. Refer to Engine Model, Type and Code Number that is stamped on the blower housing of engine. Engine type numbers such as 0123 01 are listed only as 0123 in most instances. The two digits (01 or 02, etc.) to the right of the space may be required for more accurate parts identification in some instances. Select the Illustrated Parts List covering the correct Model Series and Type Number.
- B. Refer to the Illustrations and compare the original part with Illustration. The number next to the illustration is the Reference Number. Assemblies include all parts shown in frames. All parts shown in assembly frames having individual reference numbers can be purchased separately.
- C. After the Reference Number has been identified, refer to the Numerical text, where Reference and Primary Part Number are listed. **THE PRIMARY PART IS USED ON ALL TYPE NUMBERS EXCEPT THOSE TYPE NUMBERS UNDER "NOTE."**
- D. If a "Note" appears below the Primary Part Number, it means that this part differs from the Primary Part for certain types. If your Type number is listed under "Note," order the part referred to at the "Note."
- E. If your Engine Type Number does not appear after any part number listed under "Note," use the Primary Part Number.
- F. For Engine Type Numbers not covered by this book, check other Parts Lists having the same engine model or contact your source of supply.

PRINTED IN U.S.A.



COPYRIGHT by BRIGGS & STRATTON CORPORATION  
All rights reserved. No part of this material may be reproduced or transmitted, in any form or by any means, electronic or mechanical, including photocopying, recording or by any information storage and retrieval system, without permission in writing from Briggs & Stratton Corporation.

# 28D700 to 28D799



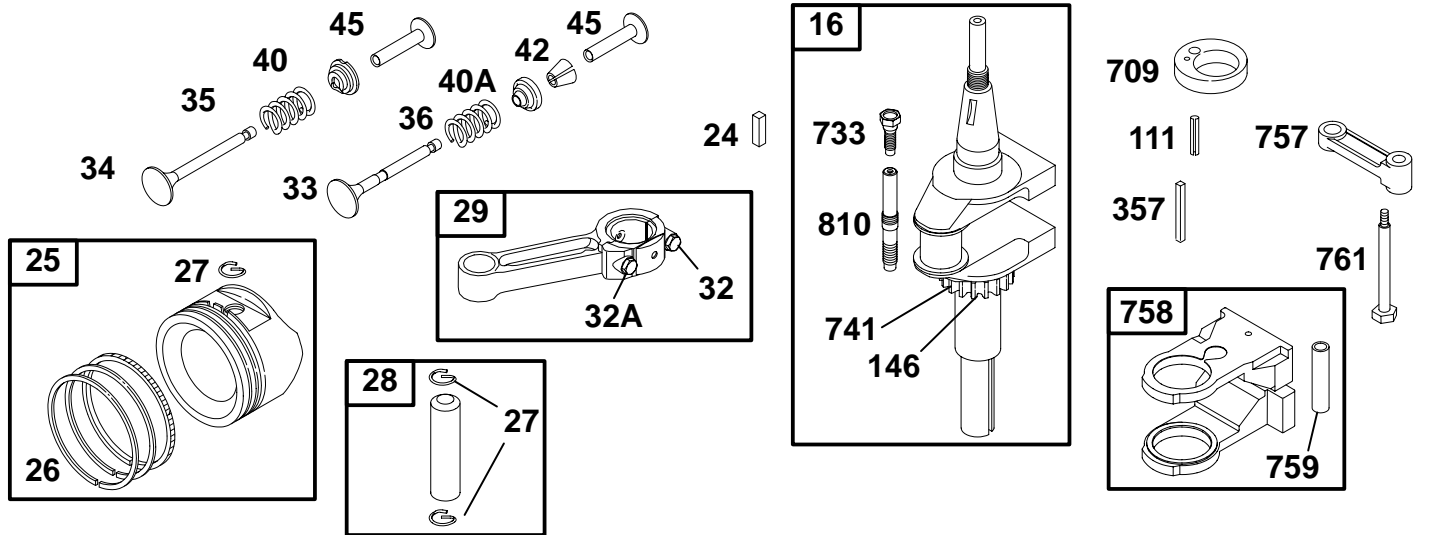
★ REQUIRES SPECIAL TOOLS TO INSTALL. SEE REPAIR INSTRUCTION MANUAL.

**1019 LABEL KIT**  
**1058 OWNER'S MANUAL**

REF. NO.	PART NO.	DESCRIPTION	REF. NO.	PART NO.	DESCRIPTION	REF. NO.	PART NO.	DESCRIPTION
1	496413	Cylinder Assembly	14	691109	Stud (Cylinder Head)	869	261463	Seat-Valve (Intake)
2	399265	Kit-Bushing/Seal	306	690459	Shield-Cylinder	870	262924	Seat-Valve (Exhaust)
3	★391086	Seal-Oil (Magneto Side)	307	94930	Screw (Cylinder Shield)	871	261961	Bushing-Valve Guide (Steel)
5	494240	Head-Cylinder	308	491490	Cover-Cylinder Head	————— <b>Note</b> —————		
7	★∅271866	Gasket-Cylinder Head	322	94786	Screw (Cylinder Head Cover)	231218		Bushing-Valve Guide (Brass)
8	495735	Breather Assembly	337	802592	Sparkplug	1019	491254	Kit-Label
9	★∅27803	Gasket-Breather	349	691105	Nut (Cylinder Head Cover)	1058	274787	Owner's Manual (Emission Engines)
10	691666	Screw (Breather Assembly)	383	89838	Wrench-Sparkplug	————— <b>Note</b> —————		
11	691328	Tube-Breather	552	491986	Bushing-Governor Crank	272697		Owner's Manual (Non Emission Engines)
11A	280100	Tube-Breather (Cylinder Head)	635	66538	Boot-Sparkplug			
13	94622	Screw (Cylinder Head)	668	690510	Spacer			
			691	★491323	Seal-Governor Shaft			
			718	230192	Pin-Locating			

★ Included in Engine Gasket Set—See Ref. 358.  
● Included in Carburetor Overhaul Kit—See Ref. 121 & 121A.

◆ Included in Carburetor Gasket Set—See Ref. 977 & 977A.  
∅ Included in Valve Gasket Set—See Ref. 1095.

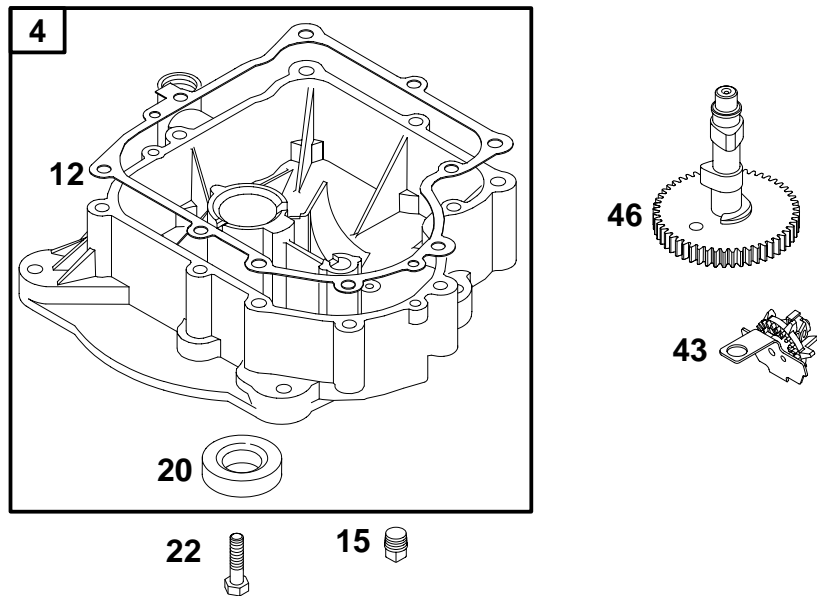


REF. NO.	PART NO.	DESCRIPTION	REF. NO.	PART NO.	DESCRIPTION	REF. NO.	PART NO.	DESCRIPTION
16	693944	Crankshaft	28	498319	Pin-Piston (Standard)	33	262246	Valve-Exhaust
24	222698	Key-Flywheel			(Used After Code Date 95101500).	34	262247	Valve-Intake
25	499282	Piston Assembly (Standard)			<b>Note</b>	35	65906	Spring-Valve (Intake)
		<b>Note</b>			299691 Pin-Piston (Standard)	36	26828	Spring-Valve (Exhaust)
		499288 Piston Assembly (.010" O.S.)			(Used Before Code Date 95101600).	40	221596	Retainer-Valve (Intake)
		499292 Piston Assembly (.020" O.S.)			498320 Pin-Piston (.005" O.S.)	40A	292260	Retainer-Valve (Exhaust)
		499296 Piston Assembly (.030" O.S.)			(Used After Code Date 95101500).	42	494553	Keeper-Valve
26	391780	Ring Set (Standard)			391286 Pin-Piston (.005" O.S.)	45	262248	Tappet-Valve
		<b>Note</b>			(Used Before Code Date 95101600).	111	94853	Pin-Retainer
		392331 Ring Set (Standard/Chrome)	29	494504	Rod-Connecting (Standard)	146	94196	Key-Timing
		391781 Ring Set (.010" O.S.)			<b>Note</b>	357	91540	Drive Pulley Key
		391782 Ring Set (.020" O.S.)			495490 Rod-Connecting (.020" Undersize)	709	262243	Eccentric (Crankshaft Extension)
		499999 Ring Set (.030" O.S.)	32	690356	Screw (1 7/8" Long) (Connecting Rod)	733	94673	Screw (Crankshaft Extension)
27	691299	Lock-Piston Pin (Used After Code Date 95101500).	32A	690348	Screw (1 5/8" Long) (Connecting Rod)	741	691284	Gear-Timing
		<b>Note</b>				757	213998	Link-Counterweight
		260924 Lock-Piston Pin (Used Before Code Date 95101600).				758	692423	Counterweight
						759	691239	Pin-Counterweight
						761	691096	Screw (Counterweight)
						810	231828	Extension-Crankshaft

★ Included in Engine Gasket Set-See Ref. 358.  
● Included in Carburetor Overhaul Kit-See Ref. 121 & 121A.

◆ Included in Carburetor Gasket Set-See Ref. 977 & 977A.  
⊙ Included in Valve Gasket Set-See Ref. 1095.

# 28D700 to 28D799



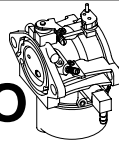
REF. NO.	PART NO.	DESCRIPTION	REF. NO.	PART NO.	DESCRIPTION	REF. NO.	PART NO.	DESCRIPTION
4	494238	Sump-Engine	15	94239	Plug-Oil Drain	22	692125	Screw (Crankcase Cover/ Sump)
12	★271916	Gasket-Crankcase (.015" Thick)			<b>Note</b>	43	490815	Slinger-Governor/Oil
		<b>Note</b>			94880 Plug-Oil Drain	46	212897	Camshaft
		★271997 Gasket-Crankcase (.005" Thick)			Used on Type No(s). 0123, 1123.			
		★271996 Gasket-Crankcase (.009" Thick)	20	★291675	Seal-Oil (PTO Side)			

★ Included in Engine Gasket Set-See Ref. 358.  
● Included in Carburetor Overhaul Kit-See Ref. 121 & 121A.

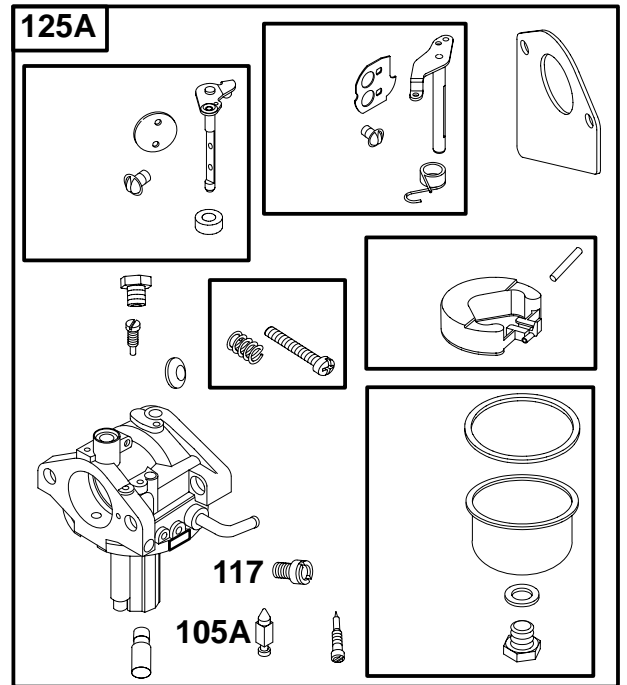
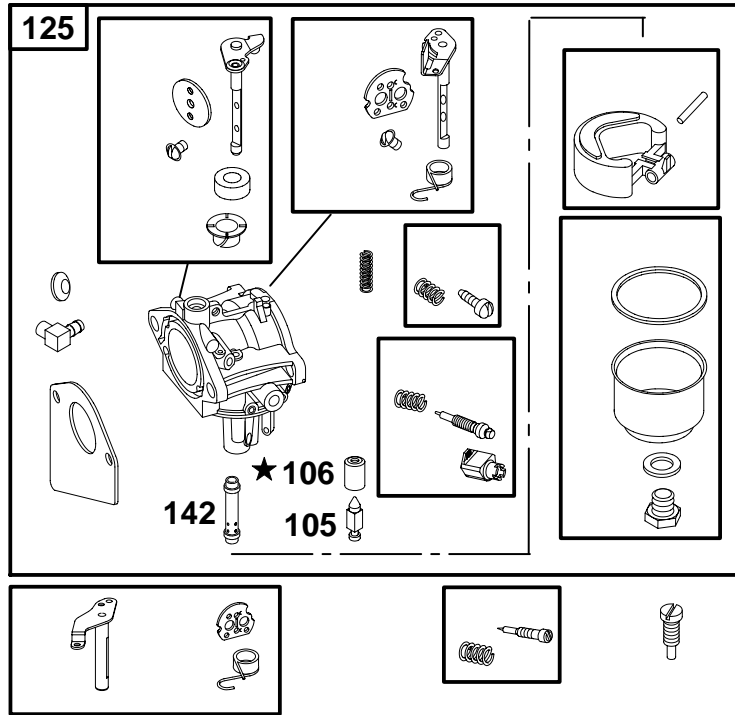
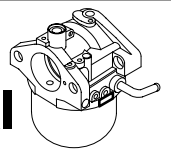
◆ Included in Carburetor Gasket Set-See Ref. 977 & 977A.  
∅ Included in Valve Gasket Set-See Ref. 1095.

★ REQUIRES SPECIAL TOOLS TO INSTALL. SEE REPAIR INSTRUCTION MANUAL.

**WALBRO**



**NIKKI**



SEE NEXT PAGE FOR COMPONENT SERVICE

REF. NO.	PART NO.	DESCRIPTION	REF. NO.	PART NO.	DESCRIPTION	REF. NO.	PART NO.	DESCRIPTION
105	●231855	Valve-Float Needle	142	●499037	Nozzle-Carburetor (Standard-LMT 165)		●691434	Nozzle-Carburetor. (Standard LMT 92, 93, 96)
105A	●694922	Valve-Float Needle			<b>Note</b>			
106	●231854	Seat-Inlet (Gravity Feed)		●499039	Nozzle-Carburetor (Standard LMT 166, 167)		499040	Nozzle-Carburetor (High Altitude-LMT 166, 167, 165)
117	●690880	Jet-Main		●496519	Nozzle-Carburetor (Standard LMT 66, 100, 136)		497737	Nozzle-Carburetor (High Altitude-LMT 92, 93, 96)
		<b>Note</b>		●497568	Nozzle-Carburetor (Standard LMT 97, 98)		497970	Nozzle-Carburetor (High Altitude-LMT 97, 98)
125	498027	Carburetor (Walbro)		●497860	Nozzle-Carburetor (Standard LMT 133, 134)		498258	Nozzle-Carburetor (High Altitude-LMT 66, 100, 133, 134, 136)
125A	694941	Carburetor (Nikki)						

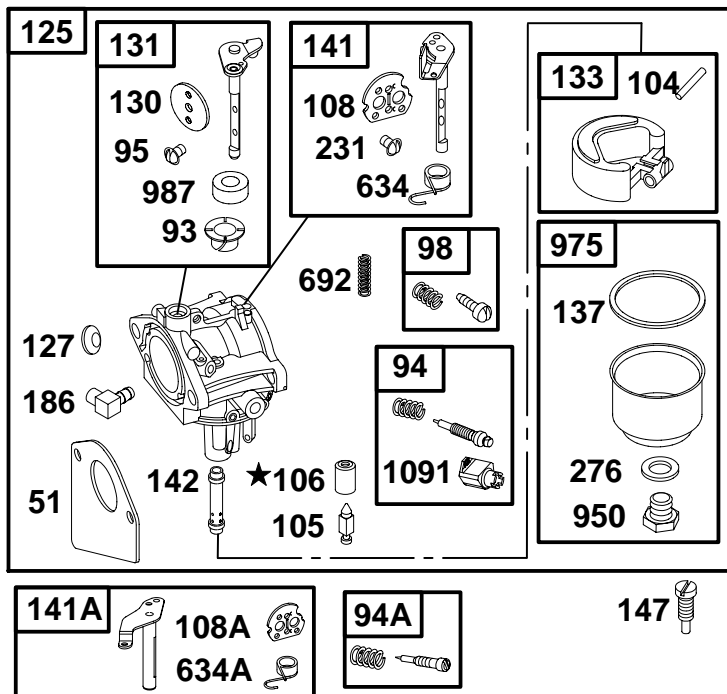
★ Included in Engine Gasket Set-See Ref. 358.  
● Included in Carburetor Overhaul Kit-See Ref. 121 & 121A.

◆ Included in Carburetor Gasket Set-See Ref. 977 & 977A.  
∅ Included in Valve Gasket Set-See Ref. 1095.

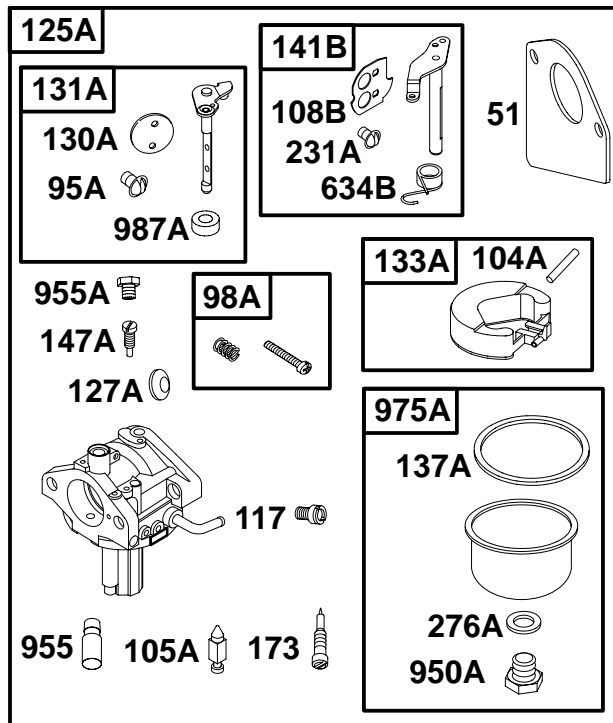
# 28D700 to 28D799

★ REQUIRES SPECIAL TOOLS TO INSTALL. SEE REPAIR INSTRUCTION MANUAL.

## WALBRO



## NIKKI

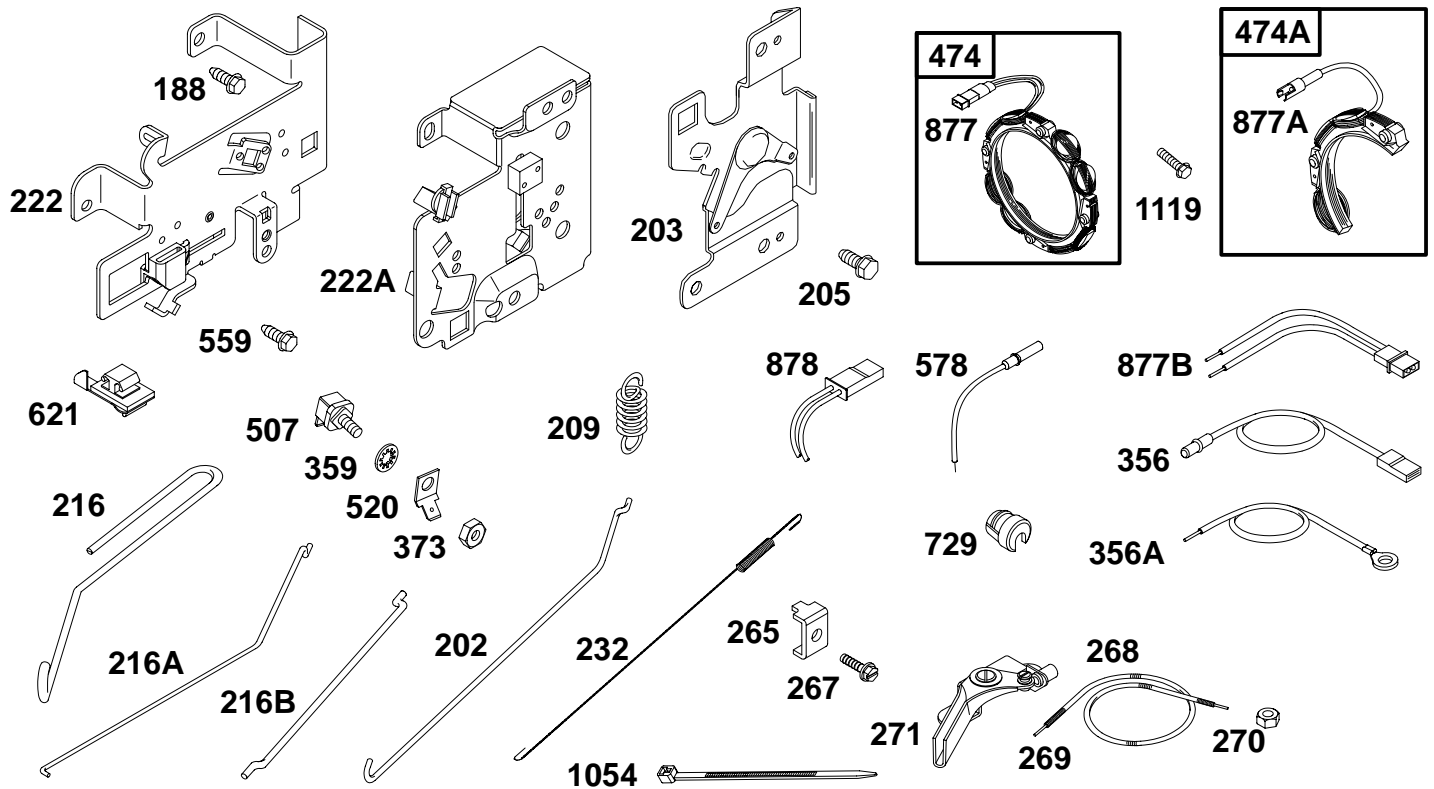


REF. NO.	PART NO.	DESCRIPTION	REF. NO.	PART NO.	DESCRIPTION	REF. NO.	PART NO.	DESCRIPTION
51	●◆272465	Gasket-Intake	125A		Carburetor (Nikki) (See Previous Page)	147A	●694927	Jet-Pilot
93	690602	Bushing-Throttle Shaft	127	●695005	Plug-Welch	173	694926	Valve-Idle Mixture
94	498030	Kit-Idle Mixture	127A	●694916	Plug-Welch	186	493496	Connector-Hose
94A	496589	Kit-Idle Mixture	130	224539	Valve-Throttle	231	●94098	Screw (Choke Valve)
95	●94098	Screw (Throttle Valve)	130A	694917	Valve-Throttle	231A	●690718	Screw (Choke Valve)
95A	●690718	Screw (Throttle Valve)	131	494379	Kit-Throttle Shaft	276	●◆281164	Washer-Sealing
98	495800	Kit-Idle Speed	131A	694909	Kit-Throttle Shaft	276A	●◆690997	Washer-Sealing
98A	694907	Kit-Idle Speed	133	494381	Float-Carburetor	634	●690801	Spring/Seal Assembly (Manual Choke)
104	●690525	Pin-Float Hinge	133A	694914	Float-Carburetor	634A	●690802	Spring/Seal Assembly (Choke A Matic)
104A	●694918	Pin-Float Hinge	137	●◆281165	Gasket-Float Bowl	634B	●694912	Spring/Seal Assembly
105		Valve-Float Needle (See Previous Page)	137A	●◆694920	Gasket-Float Bowl	692	262820	Spring-Detent
105A		Valve-Float Needle (See Previous Page)	141	495097	Choke Shaft Kit (Manual Choke)	950	94642	Screw-Float Bowl
106		Seat-Inlet (See Previous Page)	141A	495931	Choke Shaft Kit (Choke A Matic)	950A	694919	Screw-Float Bowl
108	690464	Valve-Choke (Manual Choke)	141B	694913	Kit-Choke Shaft	955	●694924	Plug-Carburetor
108A	692344	Valve-Choke (Choke A Matic)	142		Nozzle-Carburetor (See Previous Page)	955A	694921	Plug-Carburetor
108B	694923	Valve-Choke	147	●497472	Pilot Jet (LMT 66, 98, 100)	975	495933	Bowl-Float
117		Jet-Main (See Previous Page)			Note	975A	694908	Bowl-Float
125		Carburetor (Walbro) (See Previous Page)			231983 Jet-Pilot (LMT 133, 134, 136)	987	●691326	Seal-Throttle Shaft
						987A	●690998	Seal-Throttle Shaft
						1091	691333	Cap-Limiter

★ Included in Engine Gasket Set-See Ref. 358.  
● Included in Carburetor Overhaul Kit-See Ref. 121 & 121A.

◆ Included in Carburetor Gasket Set-See Ref. 977 & 977A.  
⊘ Included in Valve Gasket Set-See Ref. 1095.

# 28D700 to 28D799

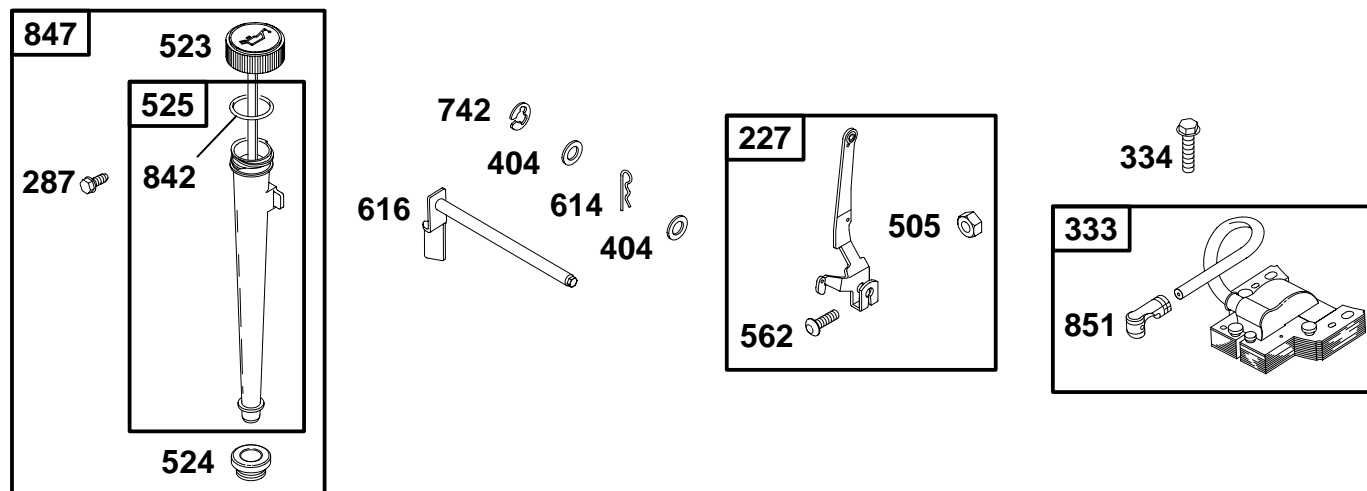


REF. NO.	PART NO.	DESCRIPTION	REF. NO.	PART NO.	DESCRIPTION	REF. NO.	PART NO.	DESCRIPTION
188	94929	Screw (Control Bracket)	216A	690574	Link—Choke	373	90576	Nut (Ground Terminal)
202	262767	Link—Mechanical Governor	216B	691281	Link—Choke	474	393474	Alternator
203	691381	Crank—Bell	222	694042	Bracket—Control (Used After Code Date 99011000).	474A	391529	Alternator
205	94929	Screw (Bell Crank)	<b>Note</b>			507	398525	Insulator
209	260871	Spring—Governor	495611	Bracket—Control (Used Before Code Date 99011100).	520	691084	Terminal—Ground	
		<b>Note</b>	222A	494041	Bracket—Control (Used Before Code Date 99011100).	559	94896	Screw (Remote Choke Stop)
		260695 Governor Spring Used on Type No(s). 0027, 0130, 0135, 0140, 1130, 1135, 1140.	232	262785	Spring—Governor Link	<b>Note</b>		
		261306 Spring—Governor Used on Type No(s). 0116, 0133, 0137, 1133, 1137.	265	221535	Clamp—Casing	693675	Screw (Remote Choke Stop) Used on Type No(s). 1025.	
		691278 Spring—Governor Used on Type No(s). 0028, 0117, 0118, 0125, 0126, 0134, 0138, 1028, 1125, 1126, 1134, 1148.	267	94906	Screw (Casing Clamp)	578	393422	Wire Assembly
216	262766	Link—Choke	268	65616	Casing—Control Wire (Cut to Required Length)	621	396847	Switch—Stop
			269	26633	Wire—Control (Cut to Required Length)	729	690596	Clip—Wire
			270	63426	Nut (Control Wire Casing)	877	393456	Wire/Connector—Alternator
			271	290568	Lever—Control	877A	393814	Wire/Connector—Alternator
			356	690799	Wire—Stop	877B	399916	Wire/Connector—Alternator
			356A	398808	Wire—Stop	878	393362	Alternator Harness
			359	691077	Washer (Ground Terminal)	1054	280275	Tie—Cable
						1119	93621	Screw (Alternator)

★ Included in Engine Gasket Set—See Ref. 358.  
● Included in Carburetor Overhaul Kit—See Ref. 121 & 121A.

◆ Included in Carburetor Gasket Set—See Ref. 977 & 977A.  
⊘ Included in Valve Gasket Set—See Ref. 1095.

# 28D700 to 28D799

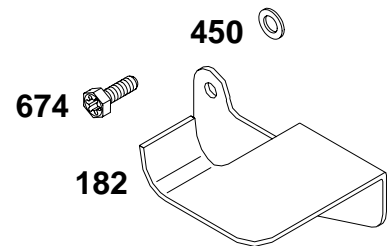
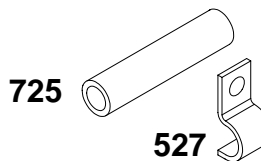
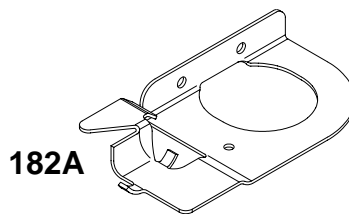
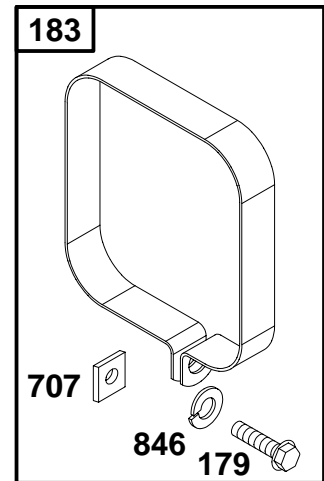
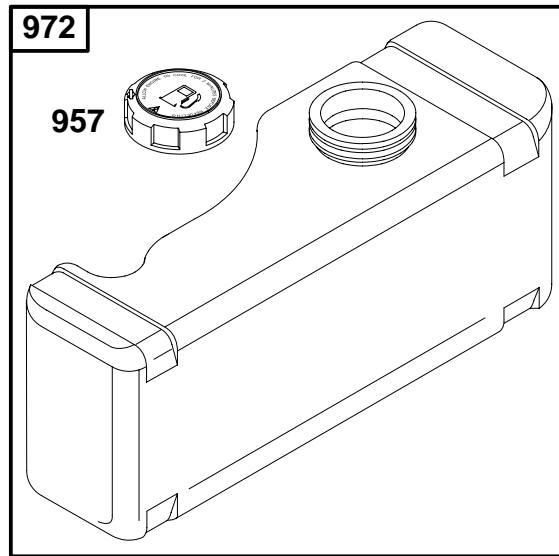
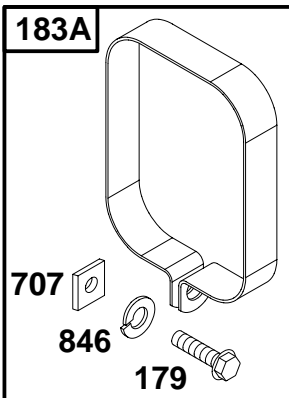
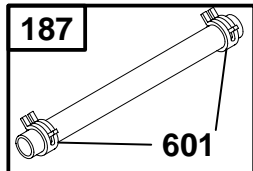
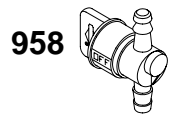


REF. NO.	PART NO.	DESCRIPTION	REF. NO.	PART NO.	DESCRIPTION	REF. NO.	PART NO.	DESCRIPTION
227	691374	Lever—Governor Control	523	495229	Dipstick	614	93306	Pin—Cotter
287	94903	Screw (Dipstick Tube)			<b>Note</b> 495230 Dipstick Used on Type No(s). 0123, 0643, 1123.	616	495157	Crank—Governor
333	492341	Armature—Magneto	524	★281370	Seal—Dipstick Tube	742	93307	Retainer—E Ring
334	94731	Screw (Magneto Armature)	525	690841	Tube—Dipstick	842	★270920	O—Ring Seal
404	94927	Washer (Governor Crank)			<b>Note</b> 691398 Tube—Dipstick Used on Type No(s). 0123, 0643, 1123.	847	496367	Dipstick/Tube Assembly
505	691251	Nut (Governor Control Lever)	562	691119	Bolt (Governor Control Lever)			<b>Note</b> 496415 Dipstick/Tube Assembly Used on Type No(s). 0123, 0643, 1123.
						851	493880	Terminal—Spakplug

★ Included in Engine Gasket Set—See Ref. 358.  
● Included in Carburetor Overhaul Kit—See Ref. 121 & 121A.

◆ Included in Carburetor Gasket Set—See Ref. 977 & 977A.  
⊘ Included in Valve Gasket Set—See Ref. 1095.



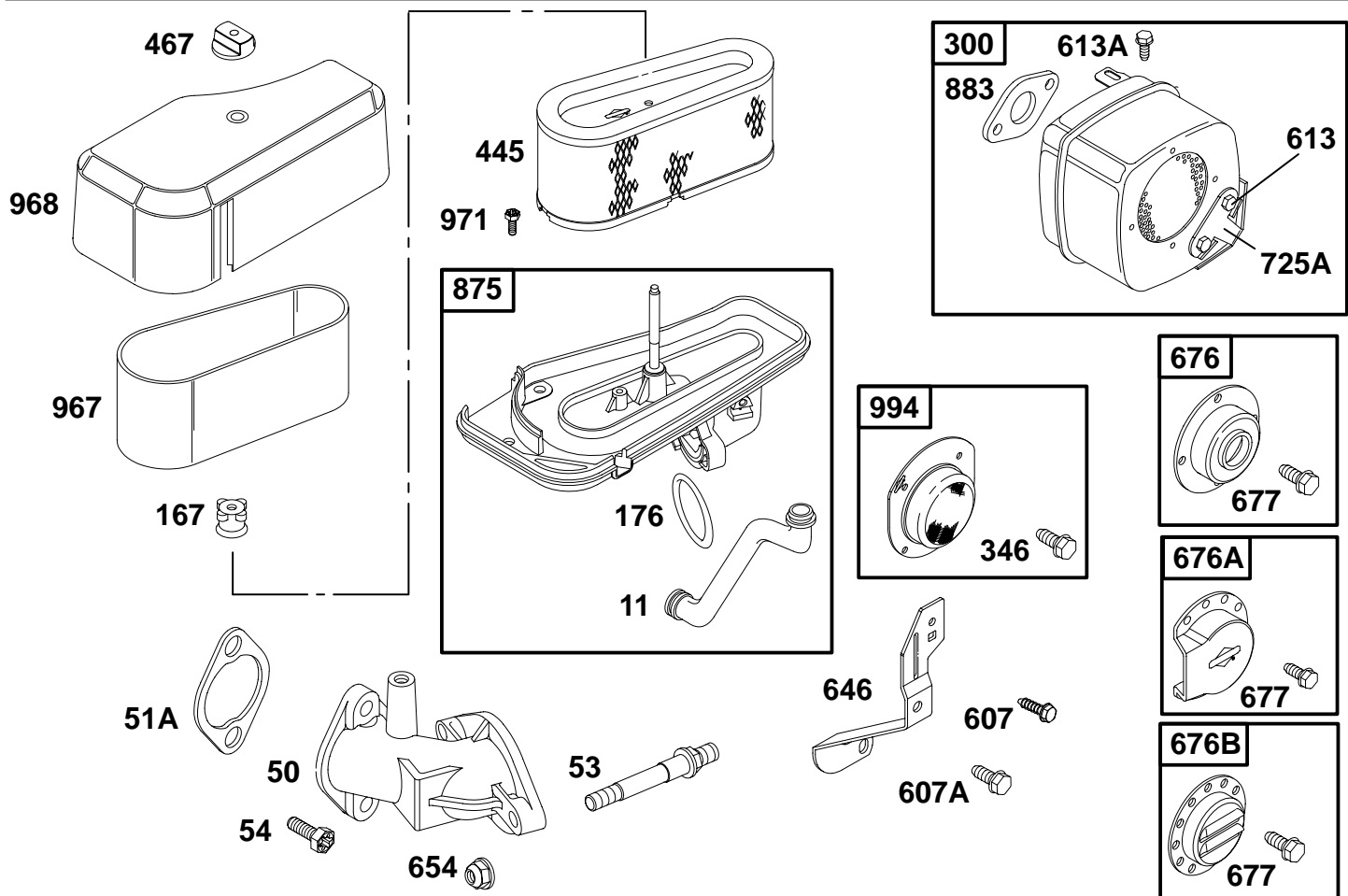


REF. NO.	PART NO.	DESCRIPTION	REF. NO.	PART NO.	DESCRIPTION	REF. NO.	PART NO.	DESCRIPTION
179	692331	Screw (Fuel Tank Strap)	240	298090	Filter–Fuel	601	95162	Clamp–Hose
182	690443	Bracket–Fuel Tank			<b>Note</b>	674	690341	Screw (Fuel Tank Bracket)
		<b>Note</b>			Used on Type No(s). 0191.	707	690279	Nut (Fuel Tank Strap)
		222980 Bracket–Fuel Tank Used on Type No(s). 0137, 1137.	450	225137	Washer (Fuel Tank Bracket)	725	690403	Shield–Heat
182A	692535	Bracket–Fuel Tank	480	94874	Screw (Tube Clamp)	846	90832	Washer (Fuel Tank Strap)
183	496853	Strap–Fuel Tank	527	690394	Clamp–Tube	957	493988	Cap–Fuel Tank
183A	496852	Strap–Fuel Tank				958	494768	Valve–Fuel Shut Off
187	296004	Line–Fuel (Cut to Required Length)				972	390225	Tank–Fuel

★ Included in Engine Gasket Set–See Ref. 358.  
● Included in Carburetor Overhaul Kit–See Ref. 121 & 121A.

◆ Included in Carburetor Gasket Set–See Ref. 977 & 977A.  
⊘ Included in Valve Gasket Set–See Ref. 1095.

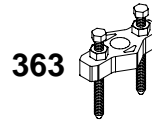
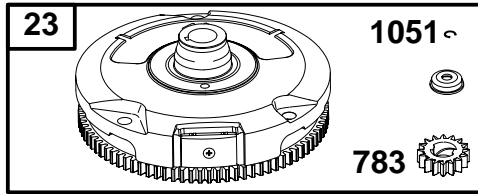
# 28D700 to 28D799



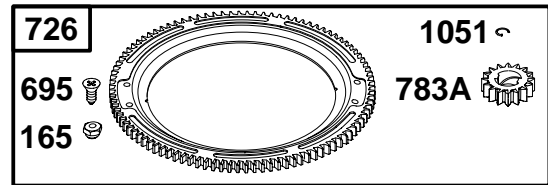
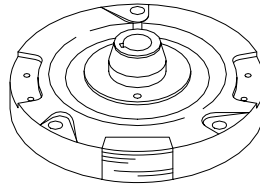
REF. NO.	PART NO.	DESCRIPTION	REF. NO.	PART NO.	DESCRIPTION	REF. NO.	PART NO.	DESCRIPTION
11	691328	Tube-Breather	607	690703	Screw (Air Cleaner Brace)	875	694942	Base-Air Cleaner <i>(Use with Nikki Carburetor)</i>
50	213819	Manifold-Intake	607A	94929	Screw (Air Cleaner Brace)	<b>Note</b> _____ <b>693670</b> Base-Air Cleaner <i>(Use with Walbro Carburetor)</i> (Used After Code Date 98091300).		
51A	★Ø272554	Gasket-Intake	613	93927	Screw (Exhaust Muffler)			
53	691098	Stud (Carburetor)	613A	94786	Screw (Exhaust Muffler)	<b>Note</b> _____ <b>496368</b> Base-Air Cleaner <i>(Use with Walbro Carburetor)</i> (Used Before Code Date 98091400).		
54	94913	Screw (Intake Manifold)	646	690460	Brace-Air Cleaner			
167	281051	Seal-Air Cleaner Nut	654	94010	Nut (Carburetor)	<b>Note</b> _____ <b>676</b> 396903 Deflector-Muffler <b>676A</b> 393761 Deflector-Muffler <b>676B</b> 397630 Deflector-Muffler <b>677</b> 94896 Screw (Muffler Deflector)		
176	★Ø281106	O-Ring Seal (Air Cleaner Base)	725A	690420	Shield-Heat			
300	491413	Muffler				883	★Ø272293	Gasket-Exhaust
346	94896	Screw (Spark Arrester)				967	272477	Filter-Pre Cleaner
445	493910	Filter-Air Cleaner Cartridge				968	691324	Cover-Air Cleaner
467	493903	Knob-Air Cleaner				971	692126	Screw (Air Cleaner Base)
						994	398067	Arrester-Spark

★ Included in Engine Gasket Set-See Ref. 358.  
 ● Included in Carburetor Overhaul Kit-See Ref. 121 & 121A.

◆ Included in Carburetor Gasket Set-See Ref. 977 & 977A.  
 Ø Included in Valve Gasket Set-See Ref. 1095.



23A

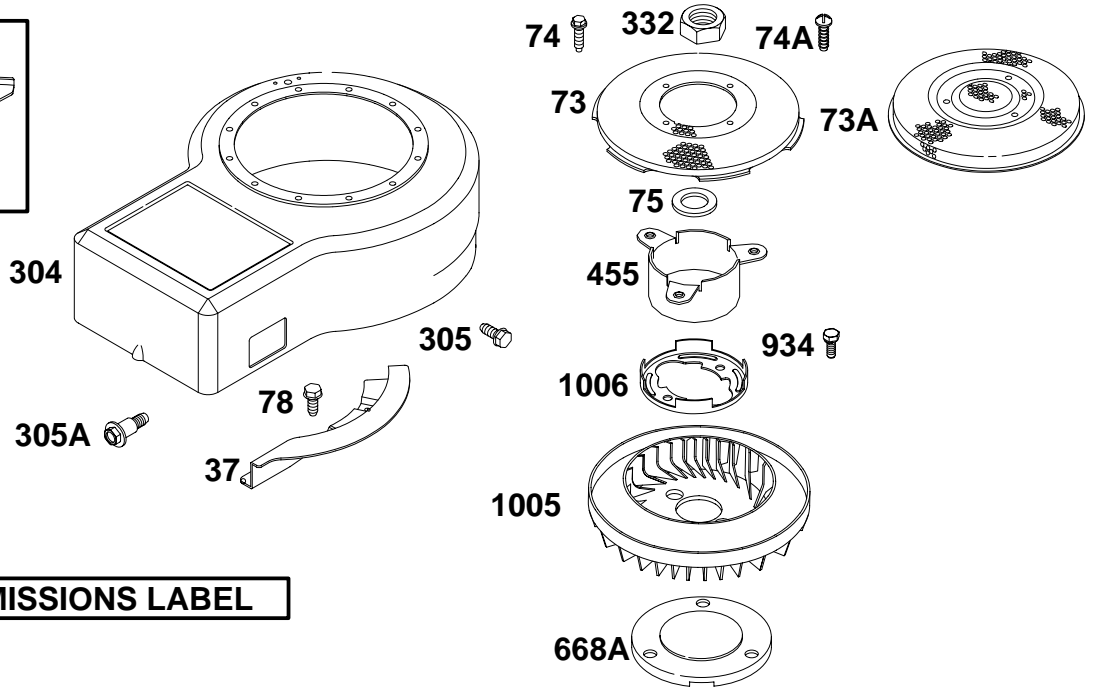
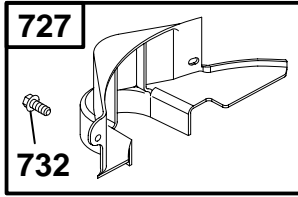


REF. NO.	PART NO.	DESCRIPTION	REF. NO.	PART NO.	DESCRIPTION	REF. NO.	PART NO.	DESCRIPTION
23	693557	Flywheel (Used After Code Date 98091300). <b>Note</b> 492326 Flywheel (Used Before Code Date 98091400).	165	693148	Nut (Ring Gear)	726	399676	Gear-Ring (Includes Mounting Hardware)
			363	19203	Flywheel Puller	783	693713	Gear-Pinion (For Steel Ring Gear Only)
			695	693109	Screw (Ring Gear)	783A	693059	Gear-Pinion (For Aluminum Ring Gear Only)
23A	693555	Flywheel Used on Type No(s). 0102.				1051	263080	Ring-Retaining

★ Included in Engine Gasket Set—See Ref. 358.  
● Included in Carburetor Overhaul Kit—See Ref. 121 & 121A.

◆ Included in Carburetor Gasket Set—See Ref. 977 & 977A.  
∅ Included in Valve Gasket Set—See Ref. 1095.

# 28D700 to 28D799

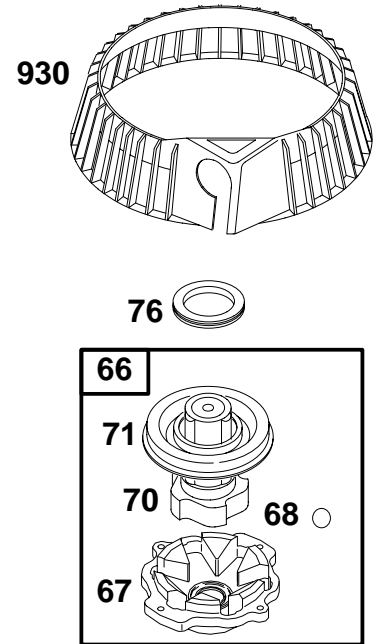
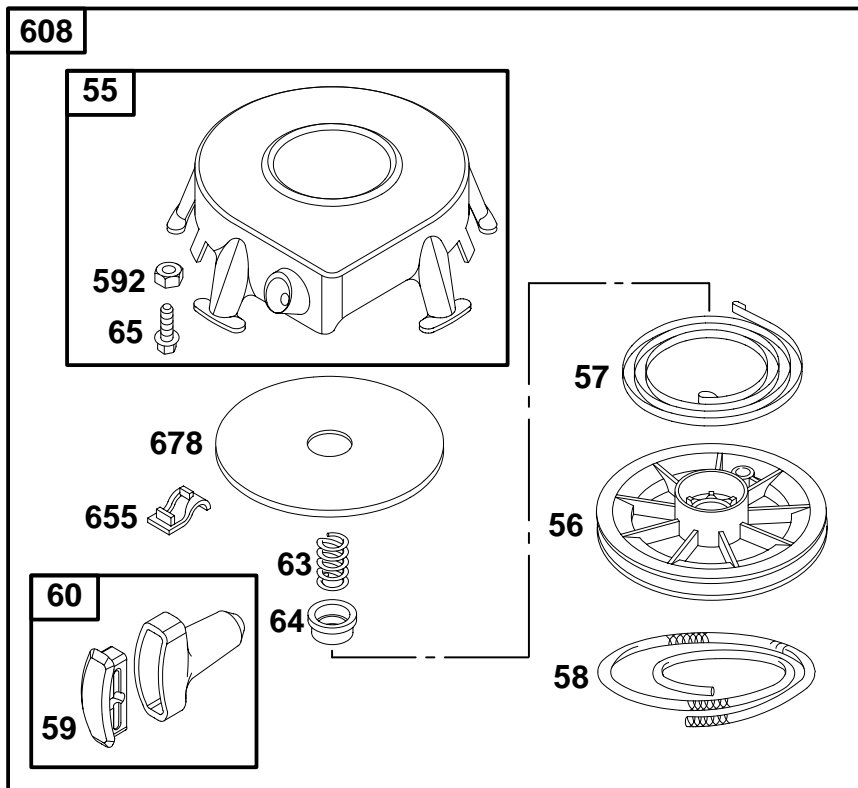


**1036 EMISSIONS LABEL**

REF. NO.	PART NO.	DESCRIPTION	REF. NO.	PART NO.	DESCRIPTION	REF. NO.	PART NO.	DESCRIPTION
37	690456	Guard-Flywheel <b>Note</b> 690806 Guard-Flywheel (Includes Mounting Hardware) Used on Type No(s) 0102.	304	691400	Housing-Blower (Red) <b>Note</b> 690846 Housing-Blower (Black)	1036	695699	Label-Emissions (Used After Code Date 00063000). <b>Note</b> 695036 Label-Emissions (Used Before Code Date 00070100 and After Code Date 99093000). 694325 Label-Emissions (Used Before Code Date 99100100 and After Code Date 98123100). 499362 Label-Emissions (Used Before Code Date 99010100). Used on Type No(s) 1025, 1028, 1101, 1123, 1125, 1126, 1130, 1133, 1135, 1137, 1140, 1148. 499361 Label-Emissions (Used on Type No(s) 0604, 0643).
73	691191	Screen-Rotating (Used After Code Date 98091300).	305	94786	Screw (Blower Housing)			
73A	224517	Screen-Rotating (Used Before Code Date 98091400).	305A	692127	Screw (Blower Housing)			
74	93758	Screw (Rotating Screen)	332	94877	Nut (Flywheel)			
74A	94626	Screw (Rotating Screen)	455	691173	Cup-Flywheel			
75	225136	Washer (Flywheel)	668A	691323	Spacer			
78	94896	Screw (Flywheel Guard)	727	490324	Cover-Starter Drive			
			732	691092	Screw (Starter Drive Cover)			
			934	94627	Screw (Fan Retainer)			
			1005	280687	Fan-Flywheel			
			1006	690452	Retainer-Fan			

★ Included in Engine Gasket Set-See Ref. 358.  
● Included in Carburetor Overhaul Kit-See Ref. 121 & 121A.

◆ Included in Carburetor Gasket Set-See Ref. 977 & 977A.  
⊘ Included in Valve Gasket Set-See Ref. 1095.

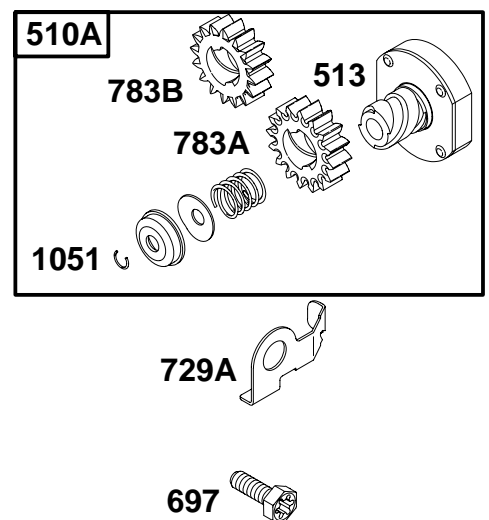
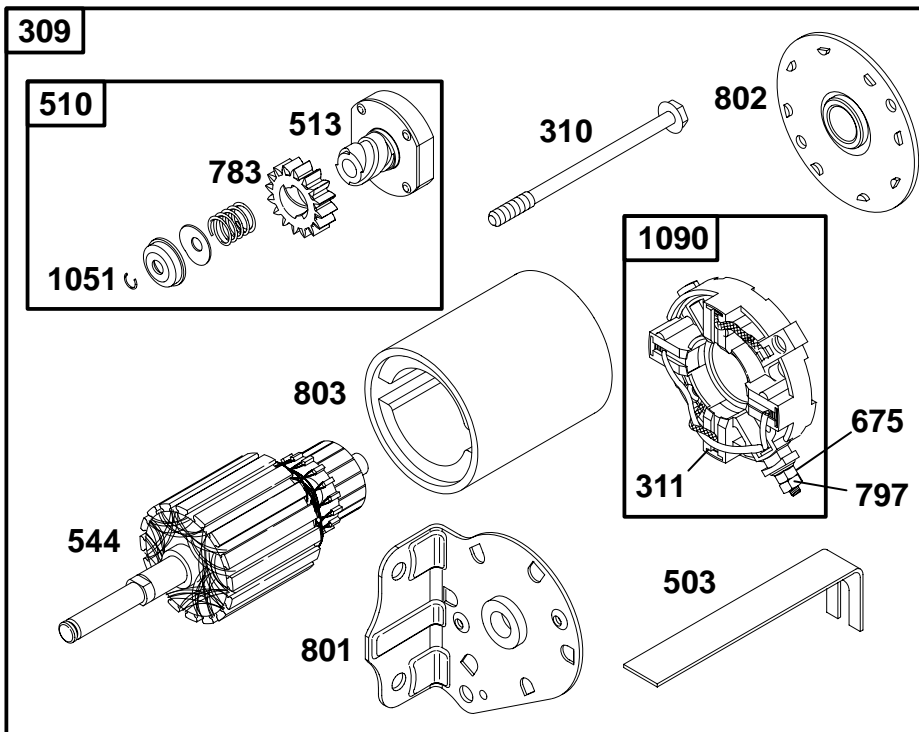


REF. NO.	PART NO.	DESCRIPTION	REF. NO.	PART NO.	DESCRIPTION	REF. NO.	PART NO.	DESCRIPTION
55	393576	Housing—Rewind Starter (Includes 63" Rope)	60	490652	Grip—Starter Rope	70	298799	Ratchet—Clutch
56	295871	Pulley—Starter	63	260414	Spring—Ratchet	71	691359	Cover—Ratchet
57	490179	Spring—Rewind Starter	64	281204	Adapter—Ratchet Spring	76	68238	Seal—Ratchet
58	66884	Rope—Starter (Cut to Required Length)	65	94904	Screw (Rewind Starter)	592	690800	Nut (Rewind Starter)
59	490653	Insert—Grip	66	399671	Clutch—Starter	608	390391	Starter—Rewind
			67	394897	Clutch—Housing	655	222598	Anchor—Rewind Spring
			68	63770	Ball—Clutch	678	490817	Spacer—Rewind
						930	280685	Guard—Rewind

★ Included in Engine Gasket Set—See Ref. 358.  
● Included in Carburetor Overhaul Kit—See Ref. 121 & 121A.

◆ Included in Carburetor Gasket Set—See Ref. 977 & 977A.  
⊘ Included in Valve Gasket Set—See Ref. 1095.

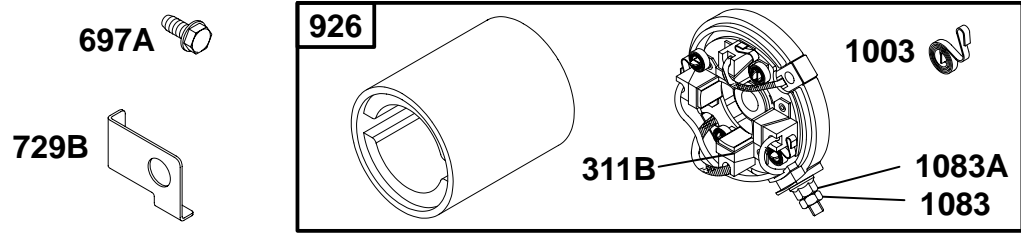
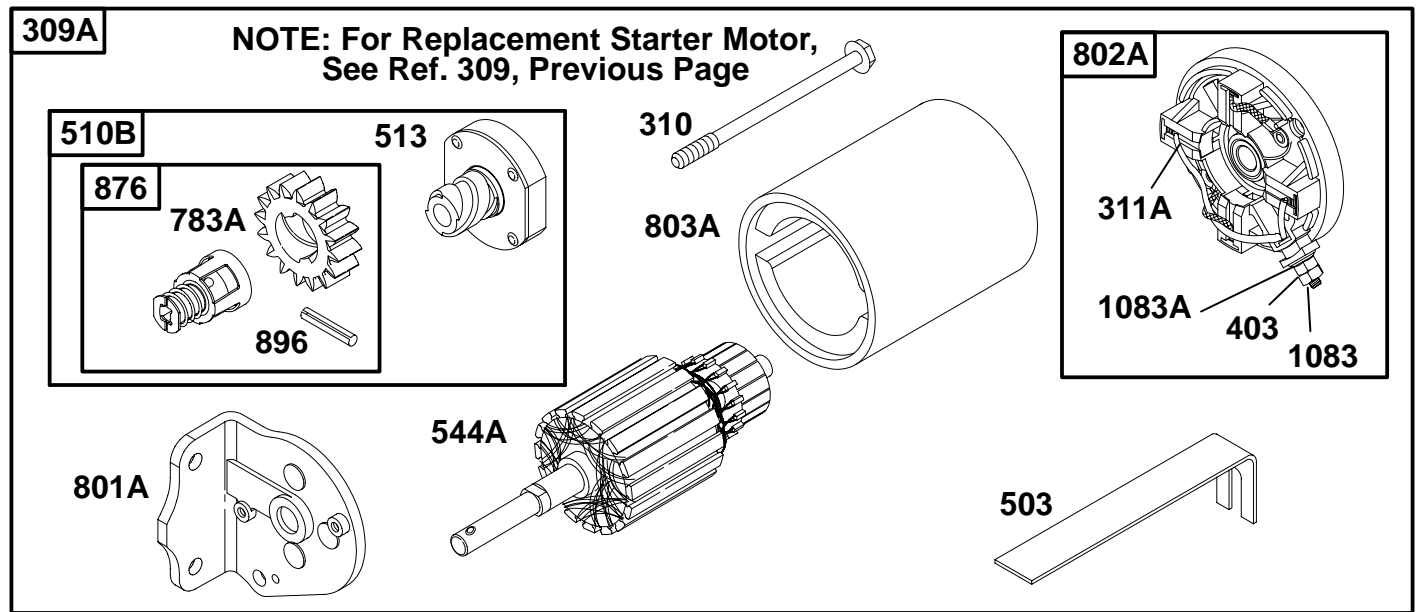
# 28D700 to 28D799



REF. NO.	PART NO.	DESCRIPTION	REF. NO.	PART NO.	DESCRIPTION	REF. NO.	PART NO.	DESCRIPTION	
309	693551	Motor-Starter (3 5/8 Housing Length) (For Plastic Ring Gear Only) (Used After Code Date 98091300). <b>Note</b> 497595 Motor-Starter (3 5/8 Housing Length) (For Plastic Ring Gear Only) (Used Before Code Date 98091400). 693054 Motor-Starter (3 5/8 Housing Length) (For Aluminum Ring Gear Only) 693552 Motor-Starter (4 3/8 Housing Length) (For Plastic Ring Gear Only) (Used After Code Date 98091300). 497401 Motor-Starter (4 3/8 Housing Length) (For Plastic Ring Gear Only) (Used Before Code Date 98091400).		499521	Starter Motor (4 3/8 Housing Length) (For Aluminum Ring Gear Only)	729A	691224	Clip-Wire	
			310	690323	Bolt (Starter Motor) (For 3 5/8 Housing Length) <b>Note</b> 691263 Bolt (Starter Motor) (For 4 3/8 Housing Length)	783	693713	Gear-Pinion (For Steel Ring Gear Only)	
			311	497608	Brush Set	783A	693059	Gear-Pinion (For Aluminum Ring Gear Only)	
			503	691532	Strap-Starter	783B	693058	Gear-Pinion (For Plastic Ring Gear Only)	
			510	693699	Drive-Starter (For Steel Ring Gear Only)	797	92278	Nut (Brush Retainer)	
			510A	497606	Drive-Starter (Includes 693058 and 693059 Pinion Gears)	801	691429	Cap-Drive	
				513	398003	Clutch-Drive	802	497607	Cap-End
				544	497603	Armature-Starter (3 5/8" Housing Length)	803	693757	Housing-Starter (3 5/8 Housing Length)
				675	225137	Washer (Brush Retainer)	1051	263080	Ring-Retaining
				697	690372	Screw (Drive Cap)	1090	497605	Retainer-Brush

★ Included in Engine Gasket Set—See Ref. 358.  
● Included in Carburetor Overhaul Kit—See Ref. 121 & 121A.

◆ Included in Carburetor Gasket Set—See Ref. 977 & 977A.  
⊘ Included in Valve Gasket Set—See Ref. 1095.



REF. NO.	PART NO.	DESCRIPTION	REF. NO.	PART NO.	DESCRIPTION	REF. NO.	PART NO.	DESCRIPTION
309A		Motor-Starter (For Replacement Starter Motor, See Ref 309, Previous Page)	503	691532	Strap-Starter	803A	398159	Housing-Starter (For 3 5/8 Housing Length)
310	690323	Bolt (Starter Motor) (For 3 5/8 Housing Length)	510B	495878	Drive-Starter			<b>Note</b>
		<b>Note</b>	513	398003	Clutch-Drive			494205 Housing-Starter (For 4 3/8 Housing Length)
		691263 Bolt (Starter Motor) (For 4 3/8 Housing Length)	544A	390837	Armature-Starter (For 3 5/8 Housing Length)	876	495877	Kit-Pinion Spring
		692329 Bolt (Starter Motor) (For 4 9/16 Housing Length)			<b>Note</b>	896	94288	Pin-Drive Retainer
311A	395538	Brush Set (For 3 5/8 Housing Length)	697A	94627	Screw (Drive Cap)	926	498233	Kit-Housing/Cap (For 4 9/16 Housing Length)
311B	490311	Brush Set (For 4 9/16 Housing Length)	729B	224723	Clip-Wire	1003	490316	Spring-Brush (For 4 9/16 Housing Length)
403	690288	Washer (End Cap)	783A	693059	Gear-Pinion (For Aluminum Ring Gear Only)	1083	93715	Nut (End Cap)
			801A	394856	Cap-Drive	1083A	94010	Nut (End Cap)
			802A	395537	Cap-End (For 3 5/8 Housing Length)			
					<b>Note</b>			
					494988 Cap-End (For 4 3/8 Housing Length)			

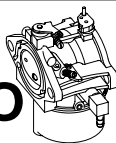
★ Included in Engine Gasket Set-See Ref. 358.  
● Included in Carburetor Overhaul Kit-See Ref. 121 & 121A.

◆ Included in Carburetor Gasket Set-See Ref. 977 & 977A.  
⊘ Included in Valve Gasket Set-See Ref. 1095.

# 28D700 to 28D799

★ REQUIRES SPECIAL TOOLS TO INSTALL. SEE REPAIR INSTRUCTION MANUAL.

## WALBRO



**121 CARBURETOR OVERHAUL KIT**

★ 106 634 276 987

127 634A 105

95 104

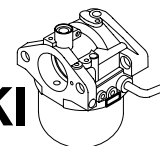
147 231 51

137 142

**977 CARBURETOR GASKET SET**

51 137 276

## NIKKI



**121A CARBURETOR OVERHAUL KIT**

51 95A 117 276A

104A 127A 634B

105A 147A 987A

137A 231A 955

**977A CARBURETOR GASKET SET**

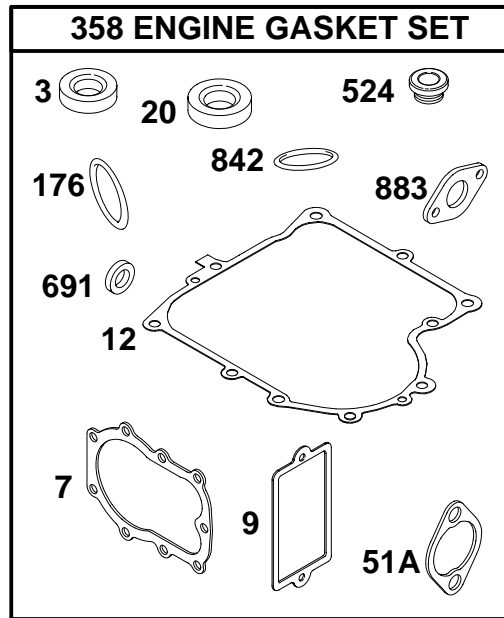
51 137A 276A

REF. NO.	PART NO.	DESCRIPTION	REF. NO.	PART NO.	DESCRIPTION	REF. NO.	PART NO.	DESCRIPTION
51	●♦272465	Gasket-Intake	121A	694930	Kit-Carburetor Overhaul (Nikki)	147	●497472	Jet-Pilot (LMT 37, 41, 77, 81)
95	●94098	Screw (Throttle Valve)	127	●695005	Plug-Welch	147A	●694927	Jet-Pilot
95A	●690718	Screw (Throttle Valve)	127A	●694916	Plug-Welch	231	●94098	Screw (Choke Valve)
104	●690525	Pin-Float Hinge	137	●♦281165	Gasket-Float Bowl	231A	●690718	Screw (Choke Valve)
104A	●694918	Pin-Float Hinge	137A	●♦694920	Gasket-Float Bowl	276	●♦281164	Washer-Sealing
105	●231855	Valve-Float Needle	142	●499037	Nozzle-Carburetor (Standard LMT 165)	276A	●♦690997	Washer-Sealing
105A	●694922	Valve-Float Needle	<b>Note</b>			634	●690801	Spring/Seal Assembly (Manual Choke)
106	●231854	Seat-Inlet				634A	●690802	Spring/Seal Assembly (Choke A Matic)
117	●690880	Jet-Main	<b>Note</b> ●499039 Nozzle-Carburetor (Standard LMT 166, 167) ●496519 Nozzle-Carburetor (Standard LMT 66, 100, 136) ●497568 Nozzle-Carburetor (Standard LMT 97, 98) ●497860 Nozzle-Carburetor (Standard LMT 133, 134) ●691434 Nozzle-Carburetor (Standard LMT 92, 93, 96)			634B	●694912	Spring/Seal Assembly
121	499220	Kit-Carburetor Overhaul (LMT 92, 93, 96, 165) (Used After Code Date 96072500).				955	●694924	Plug-Carburetor
						977	494385	Gasket Set-Carburetor (Walbro)
						977A	694931	Gasket Set-Carburetor (Nikki)
						987	●691326	Seal-Throttle Shaft
						987A	●690998	Seal-Throttle Shaft

★ Included in Engine Gasket Set-See Ref. 358.  
 ● Included in Carburetor Overhaul Kit-See Ref. 121 & 121A.

♦ Included in Carburetor Gasket Set-See Ref. 977 & 977A.  
 ∅ Included in Valve Gasket Set-See Ref. 1095.





REF. NO.	PART NO.	DESCRIPTION	REF. NO.	PART NO.	DESCRIPTION	REF. NO.	PART NO.	DESCRIPTION		
3	★391086	Seal-Oil (Magneto Side)	12	★271916	Gasket-Crankcase (.015 Thick)	20	★291675	Seal-Oil (PTO Side)		
7	★Ø271866	Gasket-Cylinder Head	————— <b>Note</b> —————			51A	★Ø272554	Gasket-Intake		
9	★Ø27803	Gasket-Breather			★271997	★271997	Gasket-Crankcase (.005 Thick)	176	★Ø281106	O-Ring Seal (Air Cleaner Base)
					★271996	★271996	Gasket-Crankcase (.009 Thick)	358	494241	Gasket Set-Engine
								524	★281370	Seal-Dipstick Tube
								691	★491323	Seal-Governor Shaft
								842	★270920	O-Ring Seal
								883	★Ø272293	Gasket-Exhaust
								1095	498539	Gasket Set-Valve

★ Included in Engine Gasket Set-See Ref. 358.  
● Included in Carburetor Overhaul Kit-See Ref. 121 & 121A.

◆ Included in Carburetor Gasket Set-See Ref. 977 & 977A.  
Ø Included in Valve Gasket Set-See Ref. 1095.