

**196700 to 196799**

# Illustrated Parts List

## Model Series

### 196700 to 196799

**TYPE NUMBERS**

0101, 0102,  
0113 through 0119,  
0121 through 0159,  
0162 through 0168,  
0170 through 0174,  
0188 through 0195,  
0197, 0198, 0202  
4001, 4004, 4007,  
4009 through 4012,  
4015 through 4019,  
4025, 4026, 4027,  
4031.

**TO FIND****THE CORRECT NUMBER OF THE PART YOU NEED:  
FOLLOW THE INSTRUCTIONS BELOW**

- A. Refer to Engine Model, Type and Code Number that is stamped on the blower housing of engine. Engine type numbers such as 0123 01 are listed only as 0123 in most instances. The two digits (01 or 02, etc.) to the right of the space may be required for more accurate parts identification in some instances. Select the Illustrated Parts List covering the correct Model Series and Type Number.
- B. Refer to the Illustrations and compare the original part with Illustration. The number next to the illustration is the Reference Number. Assemblies include all parts shown in frames. All parts shown in assembly frames having individual reference numbers can be purchased separately.
- C. After the Reference Number has been identified, refer to the Numerical text, where Reference and Primary Part Number are listed. **THE PRIMARY PART IS USED ON ALL TYPE NUMBERS EXCEPT THOSE TYPE NUMBERS UNDER "NOTE."**
- D. If a "Note" appears below the Primary Part Number, it means that this part differs from the Primary Part for certain types. If your Type number is listed under "Note," order the part referred to at the "Note."
- E. If your Engine Type Number does not appear after any part number listed under "Note," use the Primary Part Number.
- F. For Engine Type Numbers not covered by this book, check other Parts Lists having the same engine model or contact your source of supply.

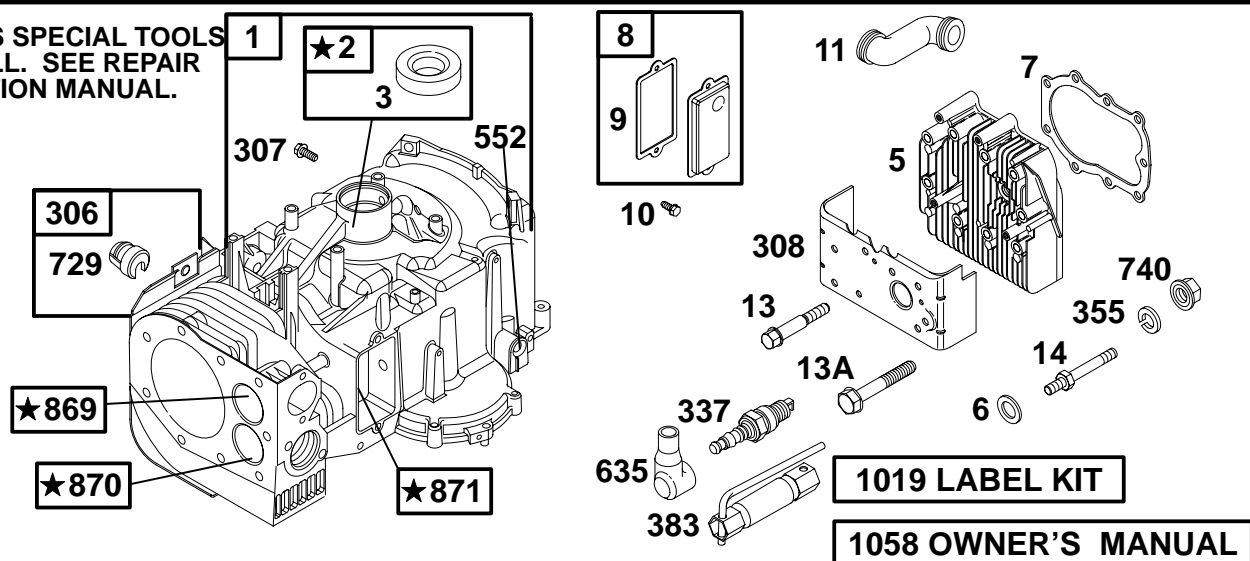
PRINTED IN U.S.A.



COPYRIGHT by BRIGGS & STRATTON CORPORATION  
All rights reserved. No part of this material may be reproduced or transmitted, in any form or by any means, electronic or mechanical, including photocopying, recording or by any information storage and retrieval system, without permission in writing from Briggs & Stratton Corporation.

# 196700 to 196799

★ **REQUIRES SPECIAL TOOLS TO INSTALL. SEE REPAIR INSTRUCTION MANUAL.**



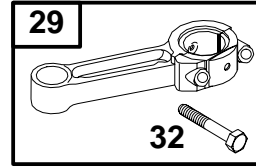
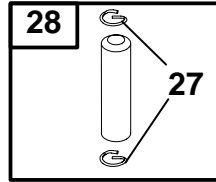
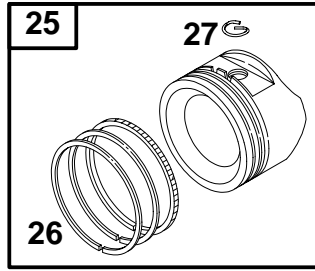
REF. NO.	PART NO.	DESCRIPTION	REF. NO.	PART NO.	DESCRIPTION	REF. NO.	PART NO.	DESCRIPTION
1	495612	Cylinder Assembly (Used After Code Date 92070500). ———— <b>Note</b> ———— 495727 Cylinder Assembly (Used Before Code Date 92070600).	10	691666	Screw (Breather Assembly)	337	802592	Sparkplug
2	495657	Kit—Bushing/Seal (Magneto Side) (Used After Code Date 92070500). ———— <b>Note</b> ———— 399267 Kit—Bushing/Seal (Magneto Side) (Used Before Code Date 92070600).	11	280005	Tube—Breather	355	691075	Washer (Muffler Bracket)
3	★391086	Seal—Oil (Magneto Side) (Used After Code Date 92070500). ———— <b>Note</b> ———— ★294606 Seal—Oil (Magneto Side) (Used Before Code Date 92070600).	13	94565	Screw (Cylinder Head)	383	89838	Wrench—Sparkplug
5	214015	Head—Cylinder	13A	94622	Screw (Cylinder Head)	552	491986	Bushing—Governor Crank
6	691261	Washer (Cylinder Head)	14	691109	Stud (Cylinder Head) (3" Long) ———— <b>Note</b> ———— 94926 Stud (Cylinder Head) (2.5" Long)(Used in Positions 5 and 6)	635	66538	Boot—Sparkplug
7	★272163	Gasket—Cylinder Head	306	496797	Shield—Cylinder (Used After Code Date 93113000). ———— <b>Note</b> ———— 224898 Shield—Cylinder (Used Before Code Date 93120100). 496797 Shield—Cylinder (Used Before Code Date 93120100). Used on Type No(s). 0101, 0102, 0114, 0116, 0133, 0137.	729	690603	Clip—Wire (Used After Code Date 93113000). ———— <b>Note</b> ———— 690596 Clip—Wire (Used Before Code Date 93120100).
8	495735	Breather Assembly	307	94930	Screw (Cylinder Shield)	740	691105	Nut (Muffler Bracket)
9	★27803	Gasket—Breather	308	691201	Cover—Cylinder Head	869	211661	Seat—Valve (Intake)
						870	262924	Seat—Valve (Exhaust)
						871	261961	Bushing—Valve Guide ———— <b>Note</b> ———— 231218 Bushing—Valve Guide (Brass)
						1019	491185	Kit—Label
						1058	274787	Owner's Manual (Emission Engines) ———— <b>Note</b> ———— 272697 Owner's Manual (Non Emission Engines)

★ Included in Engine Gasket Set—Ref. No. 358.

● Included in Carburetor Overhaul Kit—Ref. No. 121.

∅ Included in Valve Gasket Set—Ref. No. 1095.

◆ Included in Carburetor Gasket Set—Ref. No. 977.

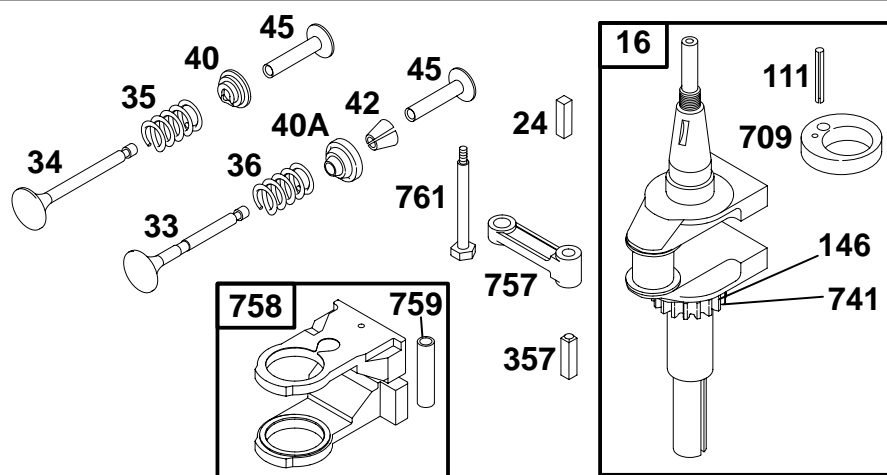


REF. NO.	PART NO.	DESCRIPTION	REF. NO.	PART NO.	DESCRIPTION	REF. NO.	PART NO.	DESCRIPTION
25	499960	Piston Assembly (Standard) <b>Note</b> — 499961 Piston Assembly (.010" O.S.) 499962 Piston Assembly (.020" O.S.) 499963 Piston Assembly (.030" O.S.)	27	263181	Lock-Piston Pin (Used After Code Date 96102700). <b>Note</b> — 691073 Lock-Piston Pin (Used Before Code Date 96102800).	29	390402	Rod-Connecting (Standard) <b>Note</b> — 390773 Rod-Connecting (.020" Undersize)
26	393881	Ring Set (Standard) <b>Note</b> — 299743 Ring Set (Standard Chrome) 393882 Ring Set (.010" O.S.) 393883 Ring Set (.020" O.S.) 690017 Ring Set (.030" O.S.)	28	499302	Pin-Piston (Standard) <b>Note</b> — 295840 Pin-Piston (Standard) (Used Before Code Date 96102800). 499303 Pin-Piston (.005" O.S.) 295841 Pin-Piston (.005" O.S.) (Used Before Code Date 96102800).	31	222114	Lock-Rod Screw
						32	690352	Screw (Connecting Rod)

★ Included in Engine Gasket Set-Ref. No. 358.  
● Included in Carburetor Overhaul Kit-Ref. No. 121.

∅ Included in Valve Gasket Set-Ref. No. 1095.  
◆ Included in Carburetor Gasket Set-Ref. No. 977.

# 196700 to 196799



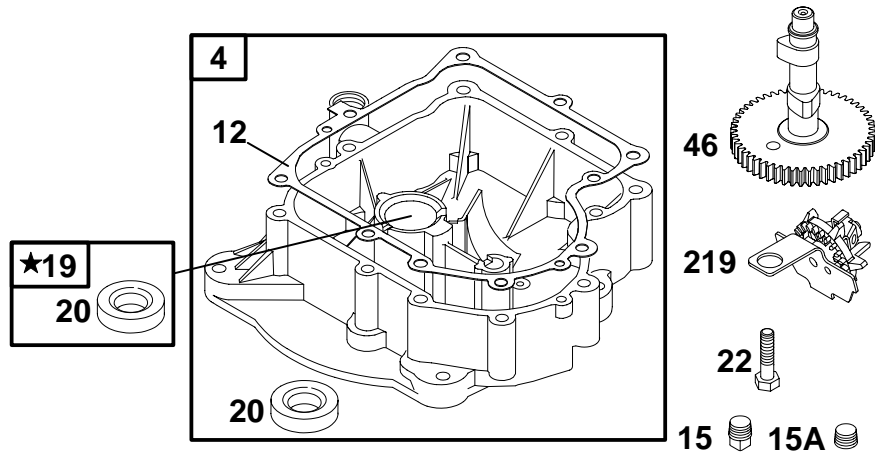
REF. NO.	PART NO.	DESCRIPTION	REF. NO.	PART NO.	DESCRIPTION	REF. NO.	PART NO.	DESCRIPTION
16	694054	Crankshaft (Used After Code Date 98111600). <b>Note</b> <b>495629</b> Crankshaft (Used After Code Date 92070500 and Before Code Date 98111700). Used on Type No(s). 0101, 0150, 0170, 0195, 0197, 0198, 4007, 4012. <b>396876</b> Crankshaft (Used Before Code Date 92070600). Used on Type No(s). 0101, 4007, 4012. <b>495632</b> Crankshaft Used on Type No(s). 0174, 0188, 4011, 4017, 4027. <b>396877</b> Crankshaft (Used Before Code Date 92070600). Used on Type No(s). 4011, 4017, 4027.	24	222698	Key-Flywheel	45	260933	Tappet-Valve
			33	390420	Valve-Exhaust	111	94853	Pin-Retainer
			34	261055	Valve-Intake	146	94388	Key-Timing
			35	65906	Spring-Valve (Intake)	357	91540	Key-Drive Pulley
			36	26828	Spring-Valve (Exhaust)	709	691268	Eccentric
			40	221596	Retainer-Valve (Intake)	741	691288	Gear-Timing
			40A	292260	Retainer-Valve (Exhaust)	757	213998	Link-Counterweight
			42	494553	Keeper-Valve	758	690619	Counterweight
						759	691239	Pin-Counterweight
						761	690346	Screw (Counterweight)

★ Included in Engine Gasket Set-Ref. No. 358.

● Included in Carburetor Overhaul Kit-Ref. No. 121.

∅ Included in Valve Gasket Set-Ref. No. 1095.

◆ Included in Carburetor Gasket Set-Ref. No. 977.



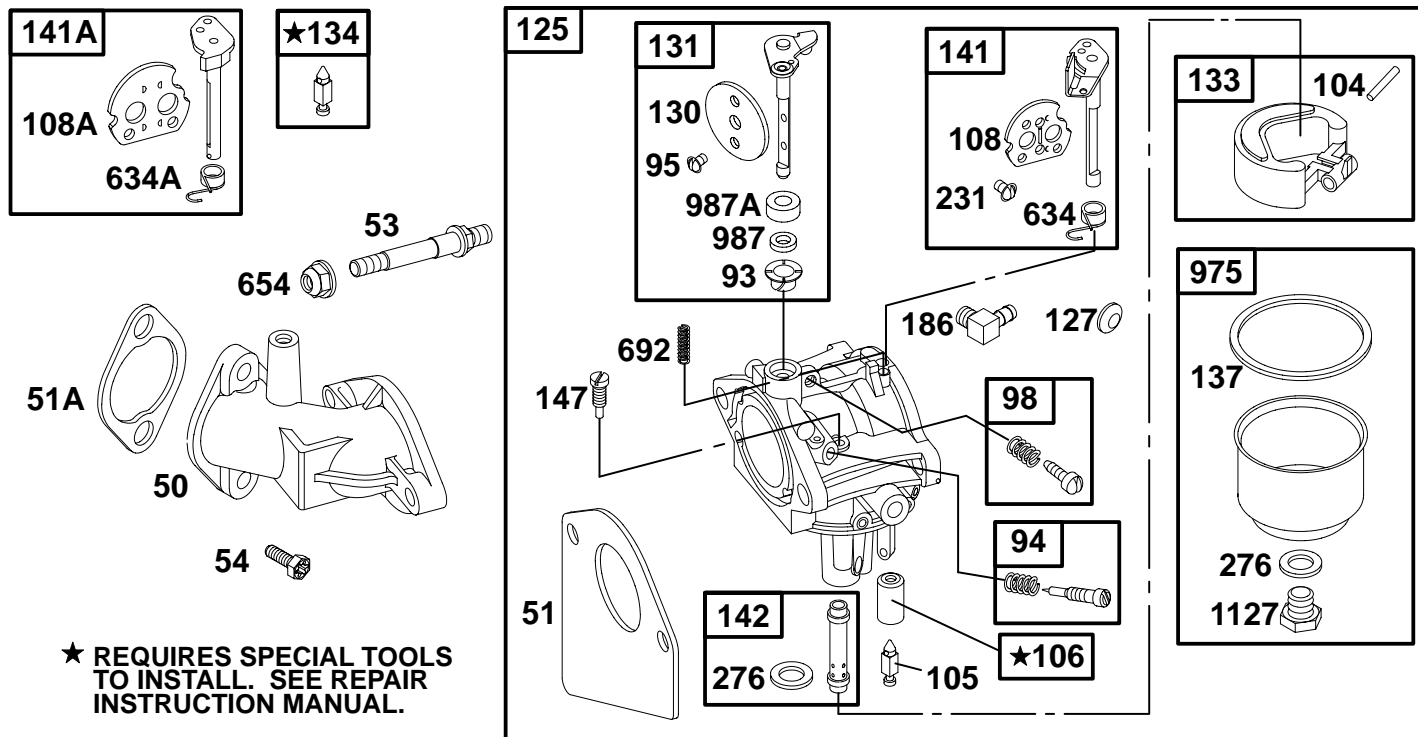
★ **REQUIRES SPECIAL TOOLS TO INSTALL. SEE REPAIR INSTRUCTION MANUAL.**

REF. NO.	PART NO.	DESCRIPTION	REF. NO.	PART NO.	DESCRIPTION	REF. NO.	PART NO.	DESCRIPTION
4	392548	Sump-Engine	15	94239	Plug-Oil Drain (Square Head)	20	★391086	Seal-Oil (PTO Side)
12	★271701	Gasket-Crankcase (.015" Thick, Standard)	15A	94880	Plug-Oil Drain (Recessed Square Head)	22	93585	Screw (Engine Sump)
<p align="center"><b>Note</b></p> <p>★27876 Gasket-Crankcase (.005" Thick)</p> <p>★27877 Gasket-Crankcase (.009" Thick)</p>			19	295963	Kit-Bushing/Seal (PTO Side)	46	214786	Camshaft
						219	491397	Gear-Governor

★ Included in Engine Gasket Set-Ref. No. 358.  
 ● Included in Carburetor Overhaul Kit-Ref. No. 121.

∅ Included in Valve Gasket Set-Ref. No. 1095.  
 ◆ Included in Carburetor Gasket Set-Ref. No. 977.

# 196700 to 196799



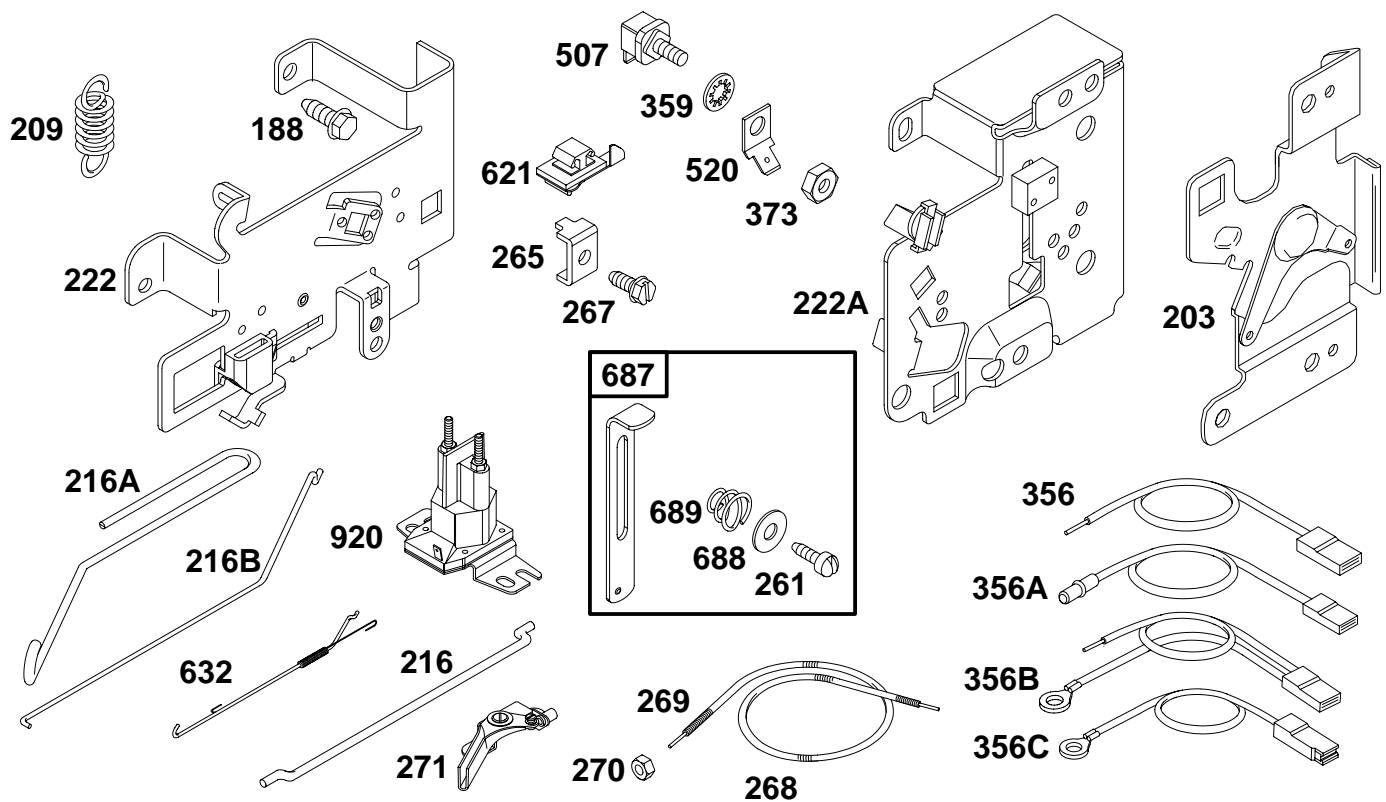
REF. NO.	PART NO.	DESCRIPTION	REF. NO.	PART NO.	DESCRIPTION	REF. NO.	PART NO.	DESCRIPTION
50	213819	Manifold-Intake	108	690464	Valve-Choke (Manual Choke)			<p align="center"><b>Note</b></p> <p><b>494380</b> Klt-Choke Shaft (Choke A Matic®) (Used Before Code Date 92091500).</p> <p><b>142</b> ●494877 Nozzle-Carburetor</p> <p align="center"><b>Note</b></p> <p><b>495608</b> Nozzle-Carburetor (High Altitude)</p> <p><b>147</b> ●497472 Jet-Pilot</p> <p><b>186</b> 493496 Connector-Hose</p> <p><b>231</b> ●94098 Screw (Choke Valve)</p> <p><b>276</b> ●281164 Washer-Sealing</p> <p><b>634</b> ●690801 Spring/Seal Assembly (Manual Choke)</p> <p><b>634A</b> ●690802 Spring/Seal Assembly (Choke A Matic)</p> <p><b>654</b> 94010 Nut (Carburetor)</p> <p><b>692</b> 262820 Spring-Detent</p> <p><b>975</b> 495933 Bowl-Float</p> <p><b>987</b> ●281167 Seal-Throttle Shaft</p> <p><b>987A</b> ●691326 Seal-Throttle Shaft</p> <p><b>1127</b> 94642 Screw (Float Bowl)</p>
51	●272465	Gasket-Intake (Intake Manifold to Carburetor)	108A	692344	Valve-Choke (Choke A Matic)			
51A	○★272554	Gasket-Intake (Intake Manifold to Cylinder)	125	495780	Carburetor (Used After Code Date 92071900).			
53	691098	Stud (Carburetor)			<b>Note</b>			
54	93208	Screw (Intake Manifold)			<b>494886</b> Carburetor (Used Before Code Date 92072000).			
93	690602	Bushing-Throttle Shaft			<b>495782</b> Carburetor Used on Type No(s). 0127, 4018.			
94	494383	Kit-Idle Mixture	127	●694530	Plug-Welch			
95	●94098	Screw (Throttle Valve)	130	690468	Valve-Throttle			
98	495800	Kit-Idle Speed (Used After Code Date 92071900).	131	494885	Kit-Throttle Shaft			
		<b>Note</b>	133	494381	Float-Carburetor			
		<b>398185</b> Kit-Idle Speed (Used Before Code Date 92072000).	134	●494788	Kit-Needle/Seat (Used Before Code Date 92072000).			
104	●690525	Pin-Float Hinge	137	●281165	Gasket-Float Bowl			
105	●231855	Valve-Float Needle (Used After Code Date 92071900).	141	495097	Kit-Choke Shaft (Manual Choke)			
106	●231854	Seat-Inlet (Used After Code Date 92071900).	141A	495931	Kit-Choke Shaft (Choke A Matic®) (Used After Code Date 92091400).			

★ Included in Engine Gasket Set-Ref. No. 358.

● Included in Carburetor Overhaul Kit-Ref. No. 121.

○ Included in Valve Gasket Set-Ref. No. 1095.

◆ Included in Carburetor Gasket Set-Ref. No. 977.



REF. NO.	PART NO.	DESCRIPTION	REF. NO.	PART NO.	DESCRIPTION	REF. NO.	PART NO.	DESCRIPTION
188	94929	Screw (Control Bracket)	222	694042	Bracket—Control (Used After Code Date 99010600).	356A	690799	Wire—Stop (1 Wire Insulated Flat Terminal, Contact Socket)
203	691381	Crank—Bell			<b>Note</b>	356B	398808	Wire—Stop (2 Wire Insulated Flat Terminal, Ring Tongue/Bare Wire)
209	260871	Spring—Governor			495611 Bracket—Control (Used Before Code Date 99010700).	356C	399223	Wire—Stop (1 Wire Insulated Flat Terminal, Ring Tongue Terminal)
		<b>Note</b>	222A	494041	Bracket—Control	359	691077	Washer (Ground Terminal)
		261126 Spring—Governor Used on Type No(s). 0119, 0131, 0157, 0174, 0188, 4009.	261	690804	Screw (Control Slide)	373	90576	Nut (Ground Terminal)
		691278 Spring—Governor Used on Type No(s). 4016, 4019.	265	221535	Clamp—Casing	507	398525	Insulator
		261194 Spring—Governor Used on Type No(s). 0195.	267	94906	Screw (Casing Clamp)	520	691084	Terminal—Ground
216	691281	Link—Choke	268	65616	Casing—Control Wire (Cut to Required Length)	621	396847	Switch—Stop
216A	690573	Link—Choke	269	26633	Wire—Control (Cut to Required Length)	632	693663	Spring/Link—Mechanical Governor
216B	692893	Link—Choke	270	63426	Nut (Control Wire Casing)	687	390701	Slide—Control
			271	290568	Lever—Control	688	690395	Cap—Friction
			356	692390	Wire—Stop (1 Wire Insulated Flat Terminal, Bare Wire)	689	690529	Spring—Friction
						920	807829	Solenoid—Starter

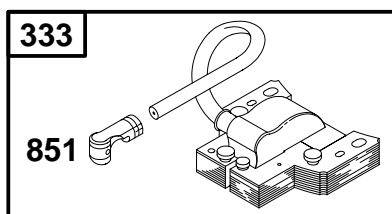
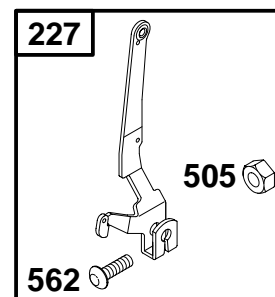
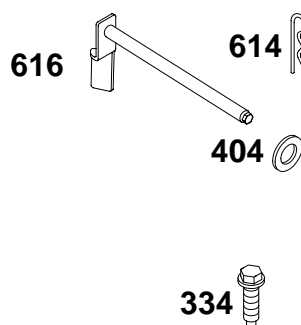
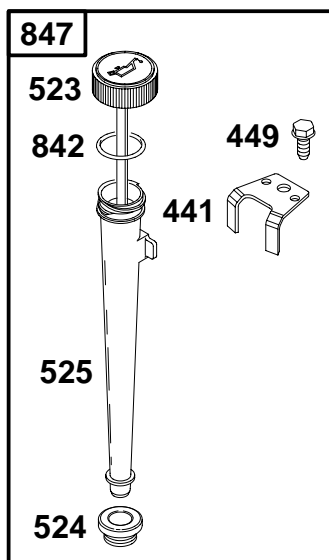
★ Included in Engine Gasket Set—Ref. No. 358.

● Included in Carburetor Overhaul Kit—Ref. No. 121.

∅ Included in Valve Gasket Set—Ref. No. 1095.

◆ Included in Carburetor Gasket Set—Ref. No. 977.

# 196700 to 196799



REF. NO.	PART NO.	DESCRIPTION	REF. NO.	PART NO.	DESCRIPTION	REF. NO.	PART NO.	DESCRIPTION
227	691374	Lever-Governor Control	505	691251	Nut (Governor Control Lever)	614	93306	Pin-Cotter
333	398811	Armature-Magneto	523	691387	Dipstick	616	495157	Crank-Governor
334	94731	Screw (Magneto Armature)	524	★281370	Seal-Dipstick Tube	842	★270920	O-Ring Seal
404	94927	Washer (Governor Crank)	525	497419	Tube-Dipstick	847	392066	Dipstick/Tube Assembly
441	224872	Bracket-Oil Fill	562	691119	Bolt (Governor Control Lever)	851	493880	Terminal-Sparkplug
449	94874	Screw (Oil Fill Bracket)						

★ Included in Engine Gasket Set-Ref. No. 358.

● Included in Carburetor Overhaul Kit-Ref. No. 121.

∅ Included in Valve Gasket Set-Ref. No. 1095.

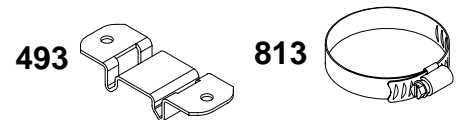
◆ Included in Carburetor Gasket Set-Ref. No. 977.



			SEE NOTE		SEE NOTE	
AC ONLY	DC ONLY	DUAL CIRCUIT	TRI-CIRCUIT / OR 5 AMP AND 9 AMP		10-13-16 AMP STATOR	
474	474A	474B	474C	877B	474D	877C
			877A			
			TRI-CIRCUIT	5 & 9 AMP	10-13-16 AMP REGULATOR	
578	578A	878	878A	526 501	578A	526A 501A

**NOTE: THE PROPER FLYWHEEL PART NUMBER AND/OR THE ALTERNATOR MAGNET SIZE WILL DETERMINE THE ALTERNATOR TYPE OR OUTPUT. SEE REPAIR INSTRUCTION MANUAL FOR ADDITIONAL INFORMATION**

**NOTE: ALL STATORS USE NO. 1119 MOUNTING SCREW.**



REF. NO.	PART NO.	DESCRIPTION	REF. NO.	PART NO.	DESCRIPTION	REF. NO.	PART NO.	DESCRIPTION
474	391595	Alternator (AC Only)	501A	394890	Regulator (Regulated 10, 13, 16 Amp)	877A	393456	Wire/Connector-Alternator (Dual Circuit)
474A	391529	Alternator (DC Only)	526	690297	Screw (Regulator)	877B	393537	Wire/Connector-Alternator (Tri Circuit)
474B	393474	Alternator (Dual Circuit)	526A	94786	Screw (Regulator)	877C	399916	Wire/Connector-Alternator (Regulated)
474C	392595	Alternator (Tri Circuit, 5 and 9 Amp)	578	390867	Harness-Alternator (AC Only)	878	393362	Harness-Alternator (Dual Circuit)
474D	393295	Alternator (Regulated)	578A	393422	Harness-Alternator (DC Only)	878A	392606	Harness-Alternator (Tri Circuit)
493	691177	Bracket-Mounting	813	690635	Clamp	1119	93621	Screw (Alternator)
501	491546	Regulator (Regulated 5 and 9 Amp)	877	393814	Wire/Connector-Alternator (DC Only)			

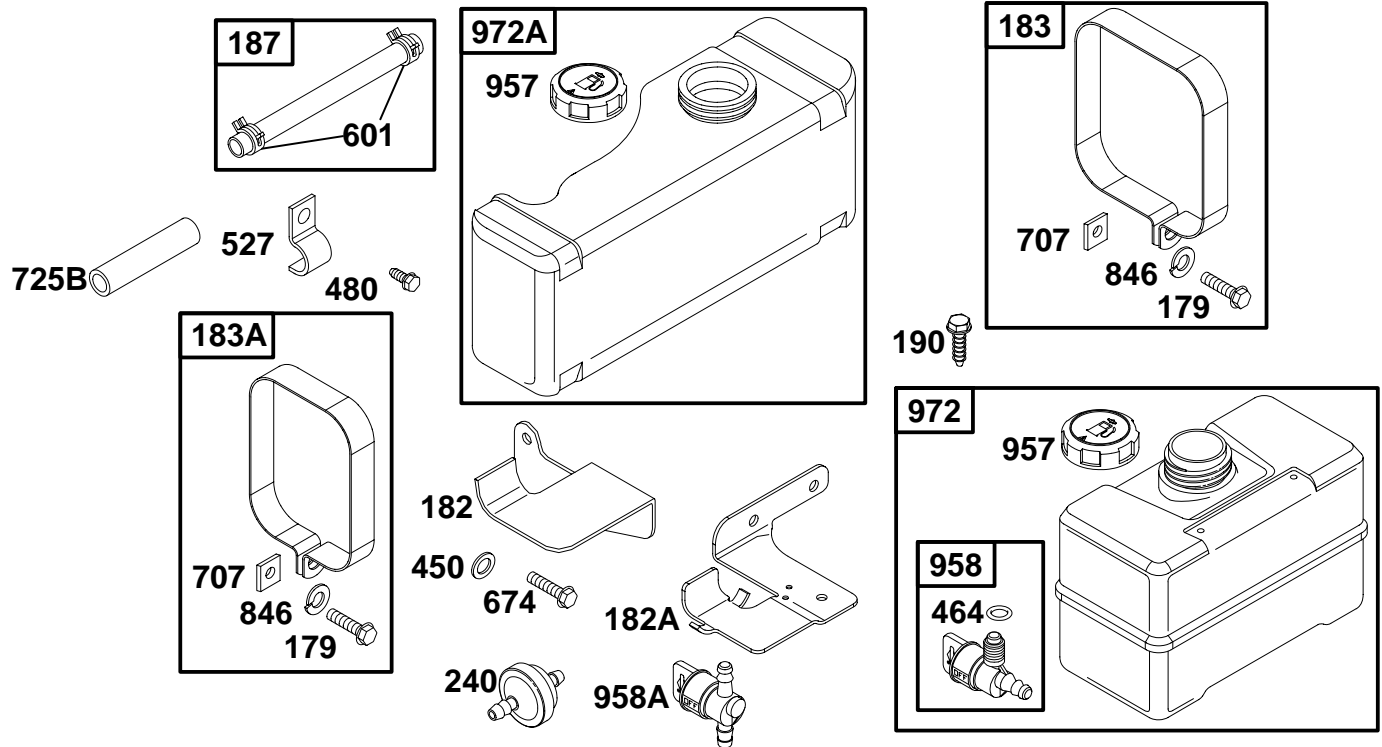
★ Included in Engine Gasket Set-Ref. No. 358.

● Included in Carburetor Overhaul Kit-Ref. No. 121.

∅ Included in Valve Gasket Set-Ref. No. 1095.

◆ Included in Carburetor Gasket Set-Ref. No. 977.

## 196700 to 196799



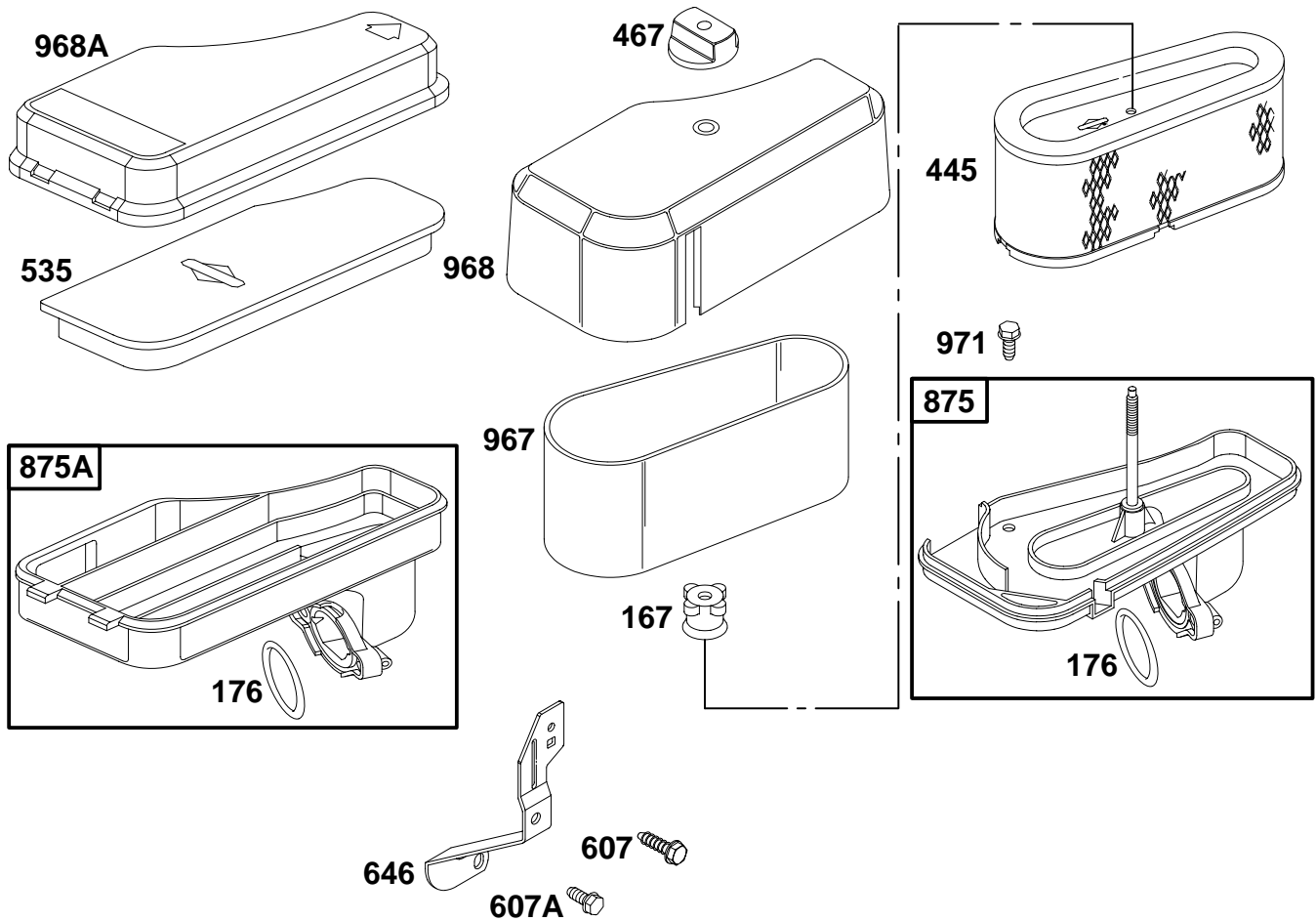
REF. NO.	PART NO.	DESCRIPTION	REF. NO.	PART NO.	DESCRIPTION	REF. NO.	PART NO.	DESCRIPTION
179	692331	Screw (Fuel Tank Strap)	464	280203	O-Ring Seal (Fuel Shut Off Valve)	707	690279	Nut (Fuel Tank Strap)
182	691214	Bracket—Fuel Tank (R.H.)	480	94874	Screw (Tube Clamp)	725B	690403	Shield—Heat
182A	692867	Bracket—Fuel Tank (L.H.)	527	690394	Clamp—Tube	846	90832	Washer (Fuel Tank Strap)
183	496853	Strap—Fuel Tank (R.H.)	601	93053	Clamp—Hose	957	493988	Cap—Fuel Tank
183A	496852	Strap—Fuel Tank (L.H.)	674	94627	Screw (Fuel Tank Bracket) (3/4" Long, Rewind Start Engines)	958	399517	Valve—Fuel Shut Off
187	296004	Line—Fuel (Cut to Required Length)			<b>Note</b>	958A	494768	Valve—Fuel Shut Off
190	94095	Screw (Fuel Tank)			690341 Screw (Fuel Tank Bracket) (7/8" Long, Electric Start Engines)	972	493337	Tank—Fuel
240	298090	Filter—Fuel			Used on Type No(s). 0118, 0119, 0121, 0123, 0129, 0132, 0134, 0138, 4009, 4010, 4012, 4025, 4026, 4027.	972A	390225	Tank—Fuel (3 Quart)
450	691261	Washer (Fuel Tank Bracket) (5/8 O.D., 4 Used On Rewind Start Engine)						
		<b>Note</b> 690259 Washer (Fuel Tank Bracket) (13/16 O.D., 2 Used On Electric Start Engines)						

★ Included in Engine Gasket Set—Ref. No. 358.

● Included in Carburetor Overhaul Kit—Ref. No. 121.

∅ Included in Valve Gasket Set—Ref. No. 1095.

◆ Included in Carburetor Gasket Set—Ref. No. 977.



REF. NO.	PART NO.	DESCRIPTION	REF. NO.	PART NO.	DESCRIPTION	REF. NO.	PART NO.	DESCRIPTION
167	281051	Seal—Air Cleaner Nut	875	693670	Base—Air Cleaner (Uses Foam Filter) (Used After Code Date 98091300).	968	691324	Cover—Air Cleaner (Uses Foam Filter)
176	281106	O—Ring Seal (Air Cleaner Base)				968A	281108	Cover—Air Cleaner (Uses Paper Filter With Foam Pre Cleaner)
445	493910	Filter—Air Cleaner Cartridge			<b>Note</b>	971	692126	Screw (Air Cleaner Base) (Used After Code Date 98091300).
467	493903	Knob—Air Cleaner			494827			
535	272922	Filter—Air Cleaner Foam			Base—Air Cleaner (Uses Foam Filter) (Used Before Code Date 98091400).			
607	94929	Screw (Air Cleaner Brace) (3/8" Long)	875A	494745	Base—Air Cleaner (Uses Paper Filter With Foam Pre Cleaner)			<b>Note</b>
607A	690703	Screw (Air Cleaner Brace) (13/32" Long)			Filter—Pre Cleaner			692198
646	690465	Brace—Air Cleaner	967	272477				Screw (Air Cleaner Base) (Used Before Code Date 98091400).

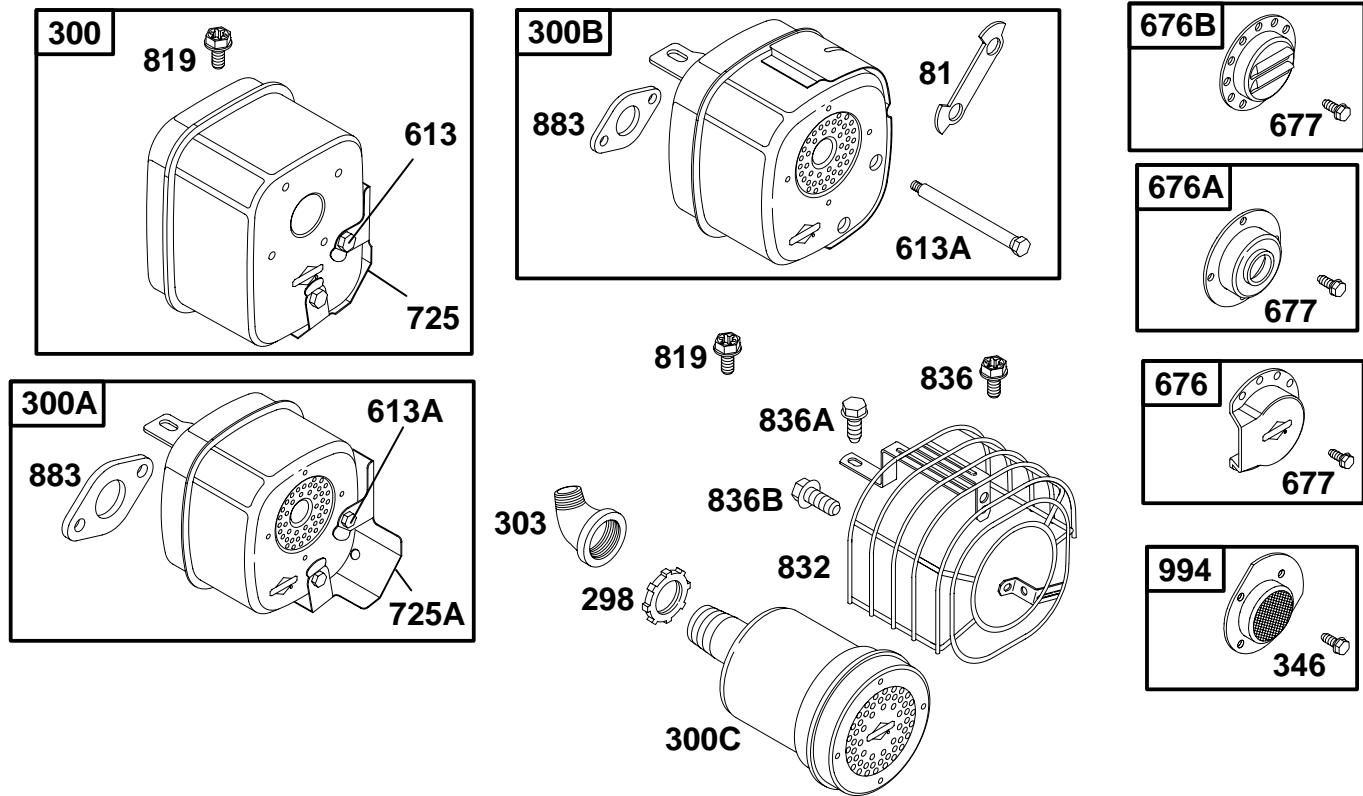
★ Included in Engine Gasket Set—Ref. No. 358.

● Included in Carburetor Overhaul Kit—Ref. No. 121.

∅ Included in Valve Gasket Set—Ref. No. 1095.

◆ Included in Carburetor Gasket Set—Ref. No. 977.

# 196700 to 196799



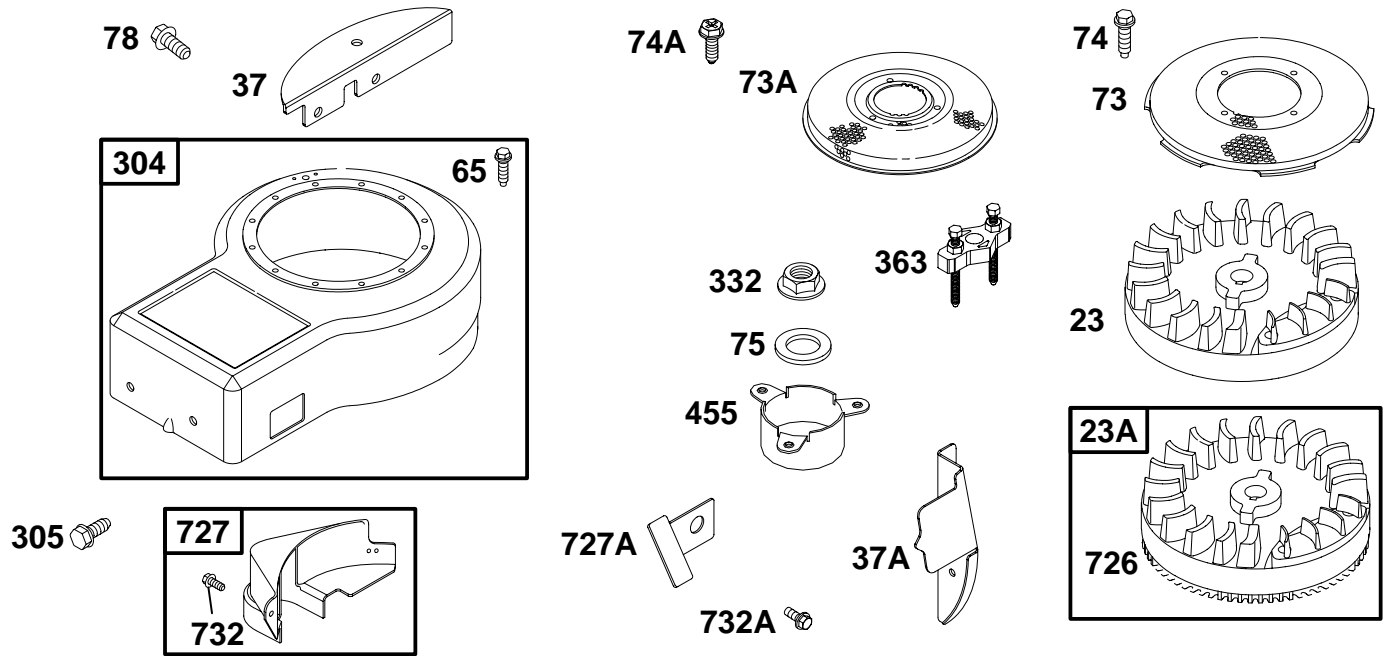
REF. NO.	PART NO.	DESCRIPTION	REF. NO.	PART NO.	DESCRIPTION	REF. NO.	PART NO.	DESCRIPTION
81	222263	Lock-Muffler Screw	819	94905	Screw (Muffler Bracket) (5/8" Long)	836	94905	Screw (Muffler Guard) (5/8" Long)
298	261409	Locknut-Muffler/Elbow	676	393757	Deflector-Muffler (Side Out)	836A	94786	Screw (Muffler Guard) (7/16" Long)
300	494222	Muffler (Super Lo Tone)	676A	395700	Deflector-Muffler (Direct Out)	836B	93606	Screw (Muffler Guard) (5/8" Long)
300A	398507	Muffler (Lo Tone Heat Shield)	676B	393758	Deflector-Muffler (Lovered)	———— <b>Note</b> ————		
300B	391313	Muffler (Lo Tone No Heat Shield)	677	94896	Screw (Muffler Deflector)	690367		Screw (Muffler Guard) (9/16" Long)
300C	393010	Muffler (Round Lo Tone)	725	690433	Shield-Heat (Used With Super Lo Tone Muffler)	Used on Type No(s). 0159, 0162, 0163.		
303	94089	Elbow-Exhaust	725A	690431	Shield-Heat (Used With Lo Tone Muffler)			
346	94896	Screw (Spark Arrestor)	832	492337	Guard-Muffler (Standaed)	883	Ø*272309	Gasket-Exhaust
613	94054	Screw (Muffler) (Muffler Sholder)	———— <b>Note</b> ————			994	399541	Arrestor-Spark
613A	94042	Screw (Muffler) (Muffler Sholder)	<b>690858</b> Guard-Muffler (Used With Lo Tone Muffler Without Heatshield Only) Used on Type No(s). 0159, 0162, 0163, 0192.					

★ Included in Engine Gasket Set-Ref. No. 358.

● Included in Carburetor Overhaul Kit-Ref. No. 121.

Ø Included in Valve Gasket Set-Ref. No. 1095.

◆ Included in Carburetor Gasket Set-Ref. No. 977.



REF. NO.	PART NO.	DESCRIPTION	REF. NO.	PART NO.	DESCRIPTION	REF. NO.	PART NO.	DESCRIPTION
23	690615	Flywheel (No Ring Gear)	74A	94626	Screw (Rotating Screen)	305	94786	Screw (Blower Housing)
23A	691354	Flywheel (Aluminum Ring Gear)	75	225136	Washer (Flywheel)	332	693899	Nut (Flywheel)
		<b>Note</b>	78	690364	Screw (Flywheel Guard)	363	19165	Flywheel Puller
		690626 Flywheel (Aluminum Ring Gear) Used on Type No(s). 0154.	304	496832	Housing-Blower (For Rewind Start)	455	691173	Cup-Flywheel (Straight Side)
37	690411	Guard-Flywheel (Standard)			<b>Note</b>	726	399676	Gear-Ring (Includes Mounting Parts)
		<b>Note</b>			496439 Housing- Blower (For Electric Start) Used on Type No(s). 0101, 0114, 0116, 0118, 0119, 0121, 0123, 0129, 0132, 0133, 0134, 0135, 0138, 0140, 0141, 0144, 0147, 0148, 0150, 0153, 0154, 0155, 0156, 0157, 0163, 0165, 0166, 0168, 0170, 0174, 0188, 0190, 0195, 4007, 4009, 4010, 4012, 4025, 4026, 4027.	727	395405	Cover-Starter Drive (For Electric Start)
		692868 Guard- Flywheel (Used With 3 Quart Tank and Equipment For Electric Start) Used on Type No(s). 0140, 0147, 0156.				727A	692338	Cover-Starter Drive
37A	690490	Guard-Flywheel				732	691097	Screw (Starter Drive Cover)
65	94904	Screw (Rewind Starter)				732A	690364	Screw (Starter Drive Cover)
73	224874	Screen-Rotating (2 11/32" I.D., Use Starter Clutch)						
73A	224517	Screen-Rotating (1" I.D., No Collar, Flush)						
74	93758	Screw (Rotating Screen)						

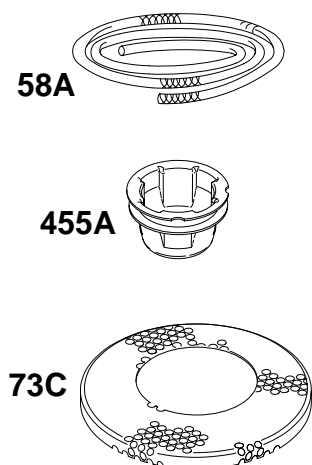
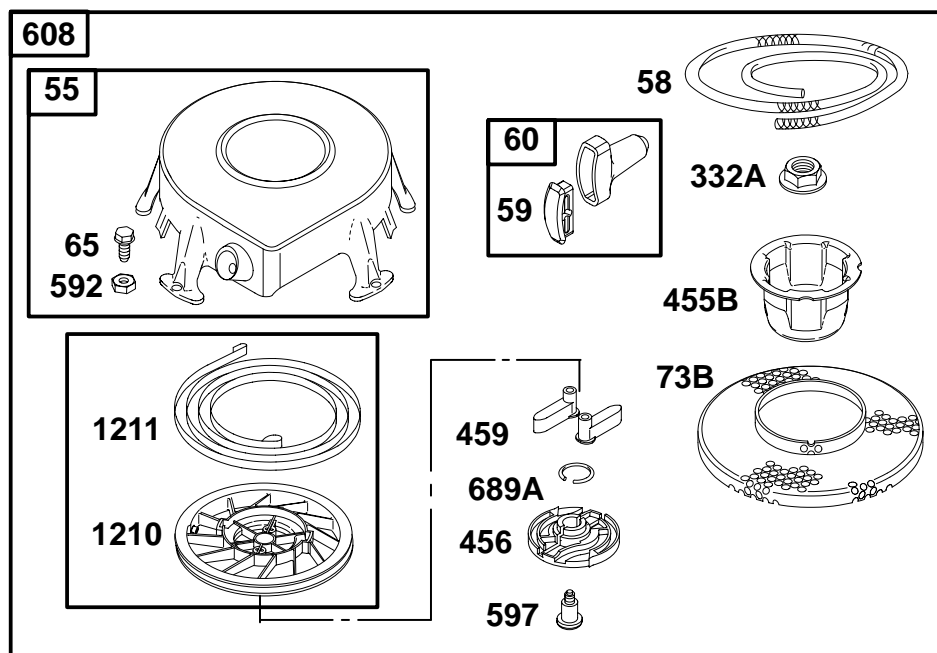
★ Included in Engine Gasket Set-Ref. No. 358.

● Included in Carburetor Overhaul Kit-Ref. No. 121.

∅ Included in Valve Gasket Set-Ref. No. 1095.

◆ Included in Carburetor Gasket Set-Ref. No. 977.

# 196700 to 196799



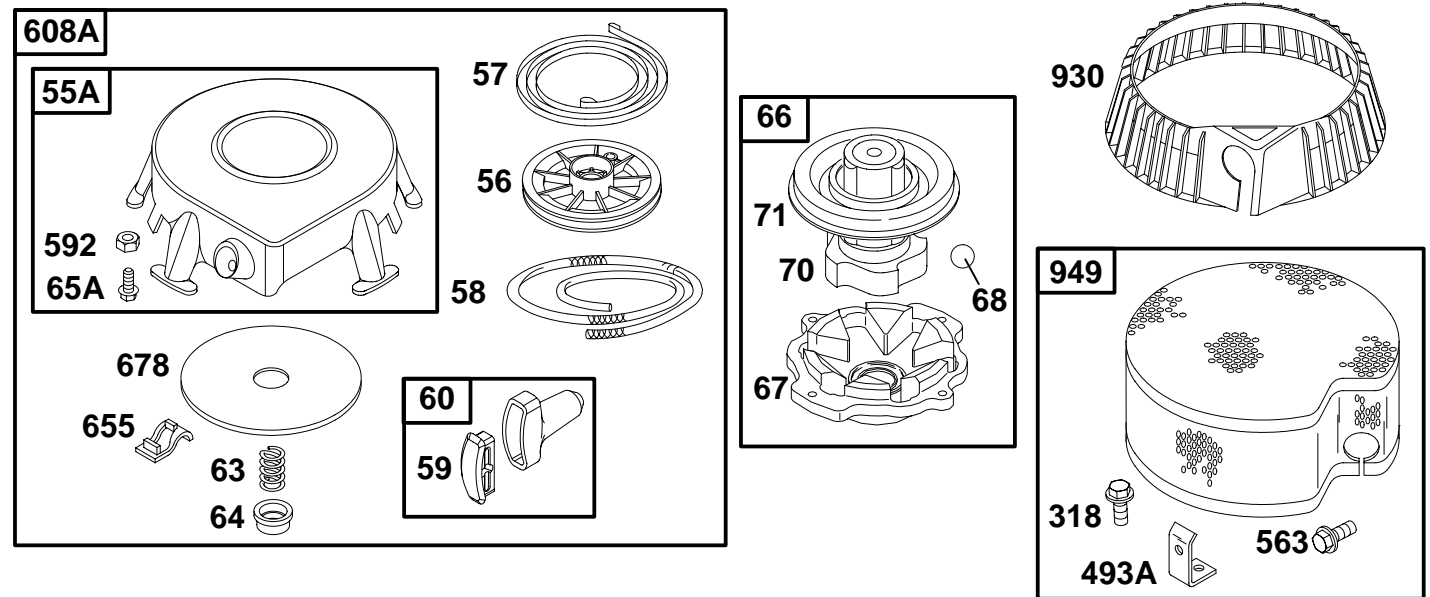
REF. NO.	PART NO.	DESCRIPTION	REF. NO.	PART NO.	DESCRIPTION	REF. NO.	PART NO.	DESCRIPTION
55	693904	Housing-Rewind Starter (Used After Code Date 99022800).	332A	693899	Nut (Flywheel) (Use with Starter Rewind) (Used After Code Date 99022800).	459	281505	Pawl-Ratchet (Used After Code Date 99022800).
58	66884	Rope-Starter (63" Length)				592	94908	Nut (Starter Rewind)
58A	66894	Rope-Starter (99" Length)	455A	694017	Cup-Flywheel (Used with 99" Rope) (Tapered Side With Ring Retainer and Rotating Ring) (Used After Code Date 99022800).	597	94943	Screw (Pawl Friction Plate) (Used After Code Date 99022800).
59	490653	Insert-Grip				608	693900	Starter-Rewind (63" Length Rope) (Used After Code Date 99022800).
60	490652	Grip-Starter Rope (2 Piece)	455B	693902	Cup-Flywheel (Tapered Side With Ring Retainer) (Used After Code Date 99022800).	689A	263073	Spring-Friction (Used After Code Date 99022800).
65	94904	Screw (Rewind Starter) (Used After Code Date 99022800).	456	281503	Plate-Pawl Friction (Used After Code Date 99022800).	1210	498144	Pulley/Spring Assembly (Pulley) (Used After Code Date 99022800).
73B	693905	Screen-Rotating (2 9/16" Collar I.D., Use Tapered Cup Without Ring) (Used After Code Date 99022800).				1211	498144	Pulley/Spring Assembly (Spring) (Used After Code Date 99022800).
73C	694020	Screen-Rotating (2 5/8" I.D., No Collar Use Tapered Cup With Ring and 99" Rope) (Used After Code Date 99022800).						

★ Included in Engine Gasket Set-Ref. No. 358.

● Included in Carburetor Overhaul Kit-Ref. No. 121.

∅ Included in Valve Gasket Set-Ref. No. 1095.

◆ Included in Carburetor Gasket Set-Ref. No. 977.



REF. NO.	PART NO.	DESCRIPTION	REF. NO.	PART NO.	DESCRIPTION	REF. NO.	PART NO.	DESCRIPTION
55A	393576	Housing—Rewind Starter (Used Before Code Date 99030100).	64	281204	Spring—Ratchet Spring (Used Before Code Date 99030100).	318	93067	Screw (Mounting Bracket)
56	295871	Pulley—Starter (Used Before Code Date 99030100).	65A	94686	Screw (Rewind Starter) (Used Before Code Date 99030100).	493A	692825	Bracket—Mounting
57	490179	Spring—Rewind Starter (Used Before Code Date 99030100).	66	399671	Clutch—Starter (Used Before Code Date 99030100).	563	94902	Screw (Debris Screen Guard)
58	66894	Rope—Starter (99" Length)	67	394897	Clutch—Housing (Used Before Code Date 99030100).	592	94908	Nut (Rewind Starter)
59	490653	Insert—Grip	68	63770	Ball—Clutch (Used Before Code Date 99030100).	608A	390391	Starter—Rewind (Includes 75" Rope) (Used Before Code Date 99030100).
60	490652	Grip—Starter Rope (2 Piece)	70	298799	Ratchet—Clutch (Used Before Code Date 99030100).	655	222598	Anchor—Rewind Spring (Used Before Code Date 99030100).
63	260414	Spring—Ratchet (Used Before Code Date 99030100).	71	691359	Cover—Ratchet (Used Before Code Date 99030100).	678	490817	Spacer—Rewind (Used Before Code Date 99030100).
						930	280685	Guard—Rewind
						949	397530	Guard—Debris Screen

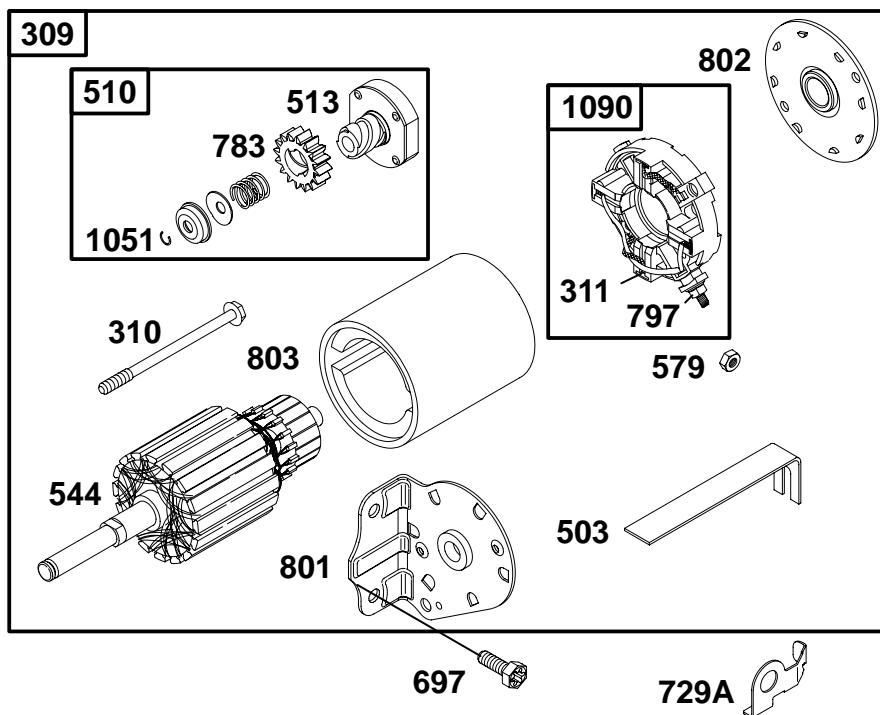
★ Included in Engine Gasket Set—Ref. No. 358.

● Included in Carburetor Overhaul Kit—Ref. No. 121.

∅ Included in Valve Gasket Set—Ref. No. 1095.

◆ Included in Carburetor Gasket Set—Ref. No. 977.

# 196700 to 196799



REF. NO.	PART NO.	DESCRIPTION	REF. NO.	PART NO.	DESCRIPTION	REF. NO.	PART NO.	DESCRIPTION
309	693054	Motor-Starter	544	497603	Armature-Starter (Service)	797	693167	Nut (Brush Retainer)
310	690323	Bolt (Starter Motor)	579	92278	Nut (Starter Cable)	801	394856	Cap-Drive
311	497608	Brush Set (Service)	697	690372	Screw (Drive Cap)	802	497607	Cap-End (Sans Brush Set)
503	691532	Strap-Starter	729A	691224	Clip-Wire (Service)	803	693757	Housing-Starter (Service)
510	497606	Drive-Starter (Service)	783	693059	Gear-Pinion	1051	263080	Ring-Retaining
513	398003	Clutch-Drive				1090	497605	Retainer-Brush

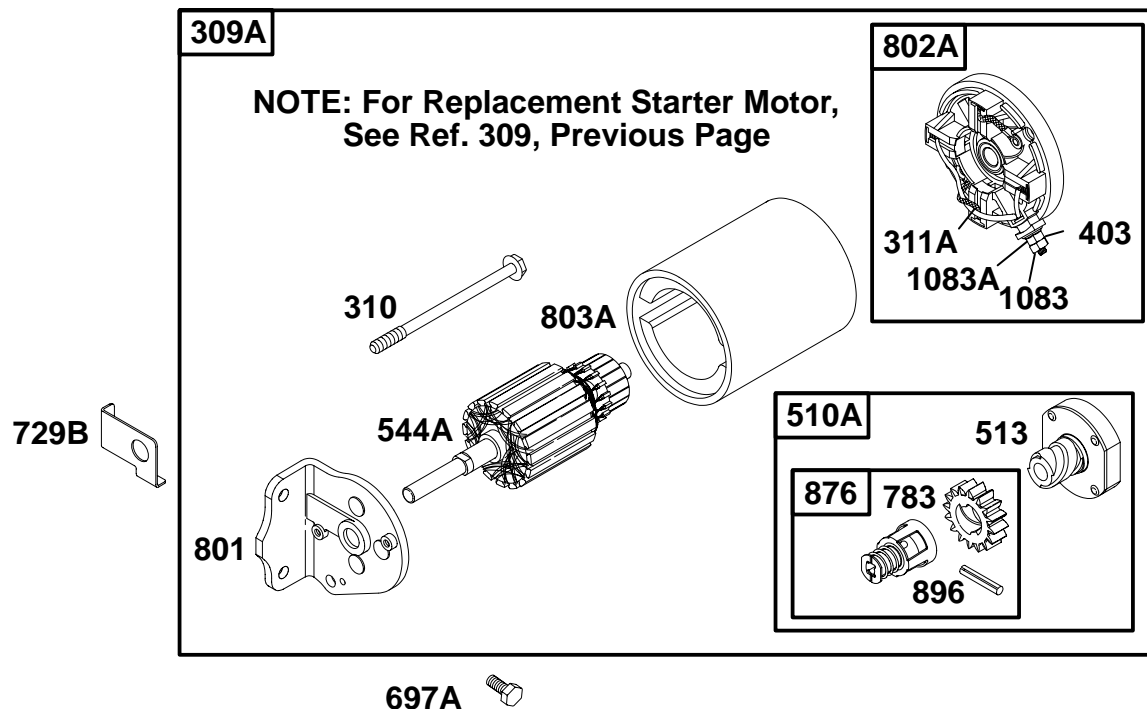
★ Included in Engine Gasket Set-Ref. No. 358.

● Included in Carburetor Overhaul Kit-Ref. No. 121.

∅ Included in Valve Gasket Set-Ref. No. 1095.

◆ Included in Carburetor Gasket Set-Ref. No. 977.





REF. NO.	PART NO.	DESCRIPTION	REF. NO.	PART NO.	DESCRIPTION	REF. NO.	PART NO.	DESCRIPTION
<b>309A</b>		Motor–Starter (For Replacement Starter Motor, See Ref. 309)	<b>513</b>	<b>398003</b>	Clutch–Drive	<b>803A</b>	<b>398159</b>	Housing–Starter (Service)
<b>310</b>	<b>690323</b>	Bolt (Starter Motor)	<b>544A</b>	<b>390837</b>	Armature–Starter (Service)	<b>876</b>	<b>495877</b>	Kit–Pinion Spring
<b>311A</b>	<b>395538</b>	Brush Set (Service)	<b>697A</b>	<b>94627</b>	Screw (Drive Cap)	<b>896</b>	<b>94288</b>	Pin–Drive Retainer
<b>403</b>	<b>690288</b>	Washer (End Cap)	<b>729B</b>	<b>224723</b>	Clip–Wire (Service)	<b>1083</b>	<b>93715</b>	Nut (End Cap) (7/16" Thick)
<b>510A</b>	<b>495878</b>	Drive–Starter (Service)	<b>783</b>	<b>693059</b>	Gear–Pinion	<b>1083A</b>	<b>94010</b>	Nut (End Cap) (Flange Locking) (1/4" Thick)
			<b>801</b>	<b>394856</b>	Cap–Drive			
			<b>802A</b>	<b>395537</b>	Cap–End (Contains Brush Set)			

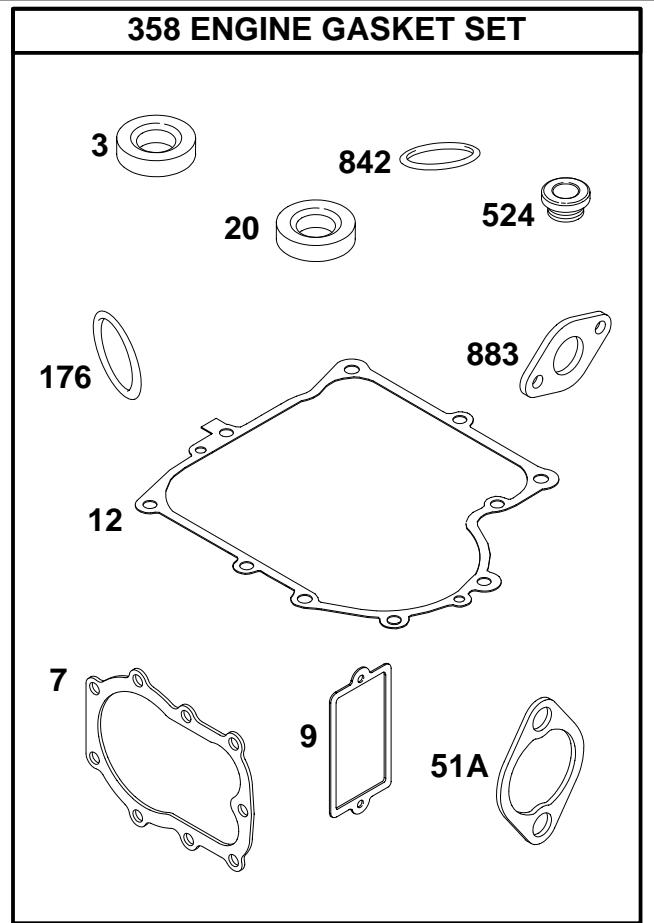
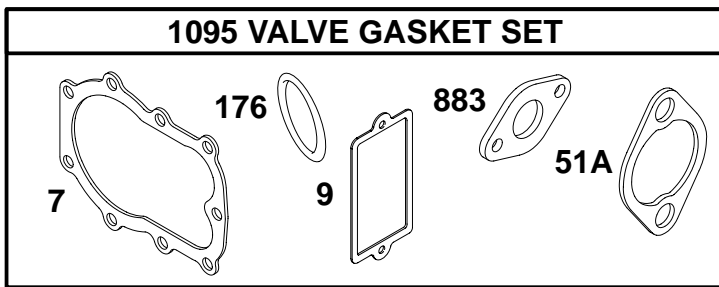
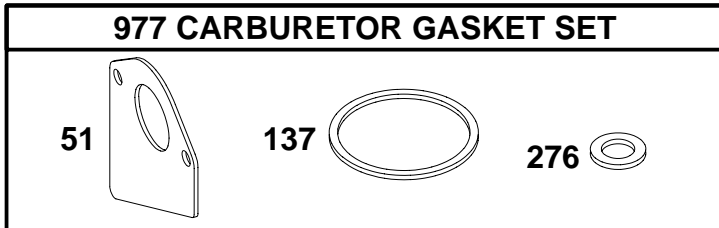
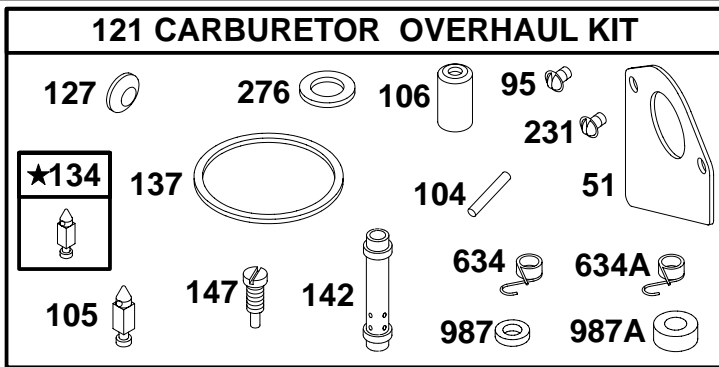
★ Included in Engine Gasket Set–Ref. No. 358.

● Included in Carburetor Overhaul Kit–Ref. No. 121.

∅ Included in Valve Gasket Set–Ref. No. 1095.

◆ Included in Carburetor Gasket Set–Ref. No. 977.

# 196700 to 196799



REF. NO.	PART NO.	DESCRIPTION	REF. NO.	PART NO.	DESCRIPTION	REF. NO.	PART NO.	DESCRIPTION
3	★391086	Seal—Oil (Magneto Side) (Used After Code Date 92070500).	20	★391086	Seal—Oil (PTO Side)	137	◆281165	Gasket—Float Bowl
		<b>Note</b>	51	◆272465	Gasket—Intake	142	◆494877	Nozzle—Carburetor
		★294606 Seal—Oil (Magneto Side) (Used Before Code Date 92070600).	51A	∅★272554	Gasket—Intake	147	◆497472	Jet—Pilot
7	∅★272163	Gasket—Cylinder Head	95	◆94098	Screw (Throttle Valve)	176	∅★281106	O—Ring Seal (Air Cleaner Base)
9	∅★27803	Gasket—Breather	104	◆690525	Pin—Float Hinge	231	◆94098	Screw (Choke Valve)
12	★271701	Gasket—Crankcase (.015" Thick, Standard)	105	◆231855	Valve—Float Needle (Used After Code Date 92071900).	276	◆281164	Washer—Sealing
		<b>Note</b>	106	◆231854	Seat—Inlet (Used After Code Date 92071900).	358	299577	Gasket Set—Engine
		★27876 Gasket—Crankcase (.005" Thick)	121	497535	Kit—Carburetor Overhaul	524	★281370	Seal—Dipstick Tube
		★27877 Gasket—Crankcase (.009" Thick)	127	◆694530	Plug—Welch	634	◆690801	Spring/Seal Assembly
			134	◆494788	Kit—Needle/Seat (Used Before Code Date 92072000).	634A	◆690802	Spring/Seal Assembly
						842	★270920	O—Ring Seal
						883	∅★272309	Gasket—Exhaust
						977	494385	Gasket Set—Carburetor
						987	◆281167	Seal—Throttle Shaft
						987A	◆691326	Seal—Throttle Shaft
						1095	498536	Gasket Set—Valve

★ Included in Engine Gasket Set—Ref. No. 358.

◆ Included in Carburetor Overhaul Kit—Ref. No. 121.

∅ Included in Valve Gasket Set—Ref. No. 1095.

◆ Included in Carburetor Gasket Set—Ref. No. 977.