

Illustrated Parts List

Model Series

195700 to 195799

TYPE NUMBERS

0101, 0102,
0111 through 0114,
0117 through 0122,
0124 through 0137,
0139 through 0157,
0160, 0161, 0162,
0189,
0402 through 0436,
0449 through 0457,
0461 through 0468,
0490,
4002 through 4027,
4502 through 4527.

TO FIND

THE CORRECT NUMBER OF THE PART YOU NEED: FOLLOW THE INSTRUCTIONS BELOW

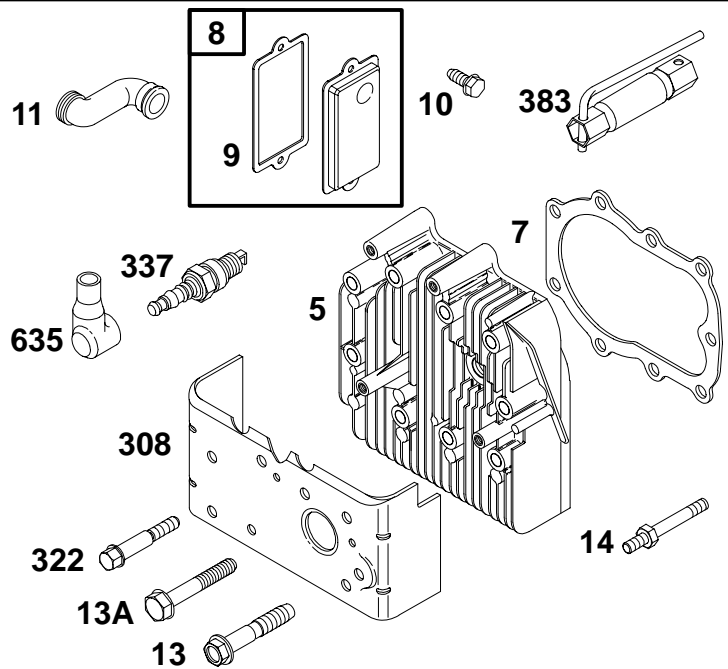
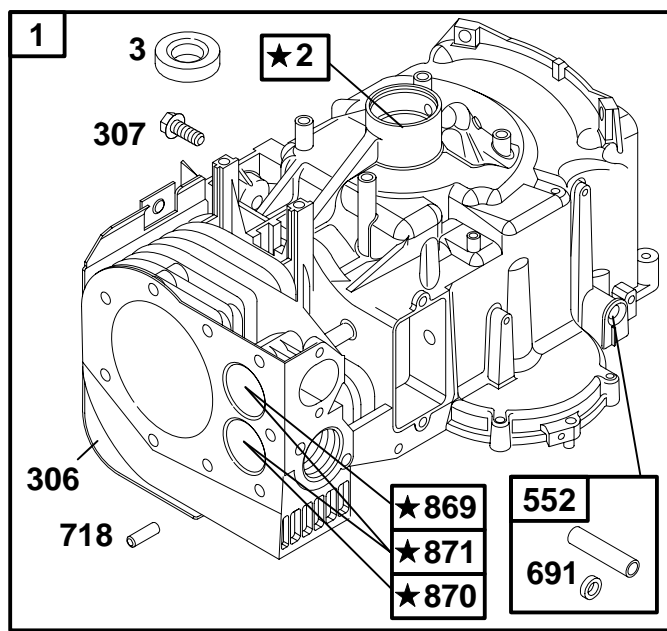
- A. Refer to Engine Model, Type and Code Number that is stamped on the blower housing of engine. Engine type numbers such as 0123 01 are listed only as 0123 in most instances. The two digits (01 or 02, etc.) to the right of the space may be required for more accurate parts identification in some instances. Select the Illustrated Parts List covering the correct Model Series and Type Number.
- B. Refer to the Illustrations and compare the original part with Illustration. The number next to the illustration is the Reference Number. Assemblies include all parts shown in frames. All parts shown in assembly frames having individual reference numbers can be purchased separately.
- C. After the Reference Number has been identified, refer to the Numerical text, where Reference and Primary Part Number are listed. **THE PRIMARY PART IS USED ON ALL TYPE NUMBERS EXCEPT THOSE TYPE NUMBERS UNDER "NOTE."**
- D. If a "Note" appears below the Primary Part Number, it means that this part differs from the Primary Part for certain types. If your Type number is listed under "Note," order the part referred to at the "Note."
- E. If your Engine Type Number does not appear after any part number listed under "Note," use the Primary Part Number.
- F. For Engine Type Numbers not covered by this book, check other Parts Lists having the same engine model or contact your source of supply.

PRINTED IN U.S.A.



COPYRIGHT by BRIGGS & STRATTON CORPORATION
All rights reserved. No part of this material may be reproduced or transmitted, in any form or by any means, electronic or mechanical, including photocopying, recording or by any information storage and retrieval system, without permission in writing from Briggs & Stratton Corporation.

195700 to 195799



★ REQUIRES SPECIAL TOOLS TO INSTALL. SEE REPAIR INSTRUCTION MANUAL.

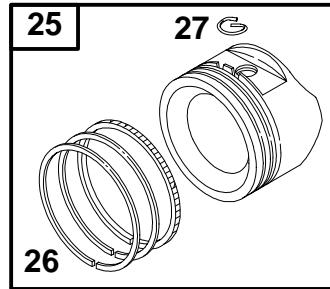
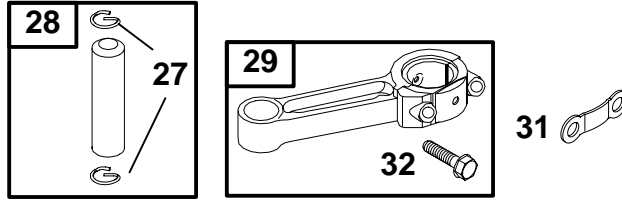
1019 LABEL KIT

1058 OWNER'S MANUAL

REF. NO.	PART NO.	DESCRIPTION	REF. NO.	PART NO.	DESCRIPTION	REF. NO.	PART NO.	DESCRIPTION
1	495623	Cylinder Assembly (Used After Code Date 92070500). Note 495726 Cylinder Assembly (Used Before Code Date 92070600).	7	Ø*272163	Gasket-Cylinder Head	337	802592	Sparkplug
2	495657	Kit-Bushing/Seal (Magneto Side) (Used After Code Date 92070500). Note 399267 Kit-Bushing/Seal (Magneto Side) (Used Before Code Date 92070600).	8	495735	Breather Assembly	383	89838	Wrench-Sparkplug
3	*391086	Seal-Oil (Magneto Side) (Used After Code Date 92070500). Note *294606 Seal-Oil (Magneto Side) (Used Before Code Date 92070600).	9	Ø*27803	Gasket-Breather	552	491986	Bushing-Governor Crank
5	214015	Head-Cylinder	10	691666	Screw (Breather Assembly)	635	66538	Boot-Sparkplug
			11	280005	Tube-Breather	691	491323	Seal-Governor Shaft
			13	94565	Screw (Cylinder Head) (2 5/8" Long)	718	230192	Pin-Locating
			13A	94622	Screw (Cylinder Head) (2 15/16" Long)	869	211661	Seat-Valve (Intake)
			14	94926	Stud (Cylinder Head) (2 1/2" Long)	870	262924	Seat-Valve (Exhaust)
			306	496797	Shield-Cylinder (Used After Code Date 93112800). Note 224898 Shield-Cylinder (Used Before Code Date 93112900).	871	261961	Bushing-Valve Guide (Exhaust) Note 231218 Bushing-Valve Guide (Intake)
			307	94930	Screw (Cylinder Shield)	1019	491182	Kit-Label
			308	691201	Cover-Cylinder Head	1058	274787	Owner's Manual (Emission Engines) Note 272697 Owner's Manual Non Emission Engines
			322	94565	Screw (Cylinder Cover)			

★ Included in Engine Gasket Set-Ref No. 358.
● Included in Carburetor Overhaul Kit-Ref. No. 121.

◆ Included in Carburetor Gasket Set-Ref No. 977.
Ø Included in Valve Gasket Set-Ref No. 1095.

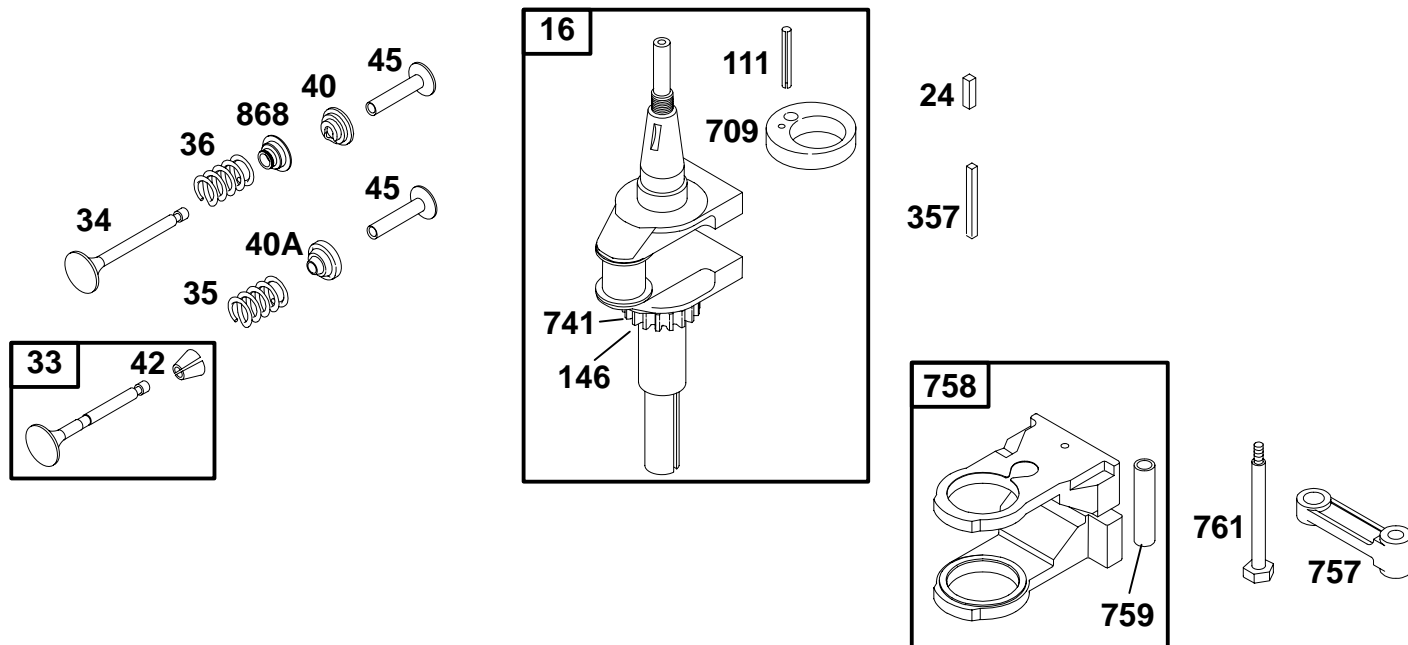


REF. NO.	PART NO.	DESCRIPTION	REF. NO.	PART NO.	DESCRIPTION	REF. NO.	PART NO.	DESCRIPTION		
25	391673	Piston Assembly (Standard)	26	391669	Ring Set (Standard)	27	263181	Lock-Piston Pin		
		Note			Note			28	295840	Pin-Piston (Standard)
		391674 Piston Assembly (.010" O.S.)			299743 Ring Set (Standard, Chrome)					Note
		391675 Piston Assembly (.020" O.S.)			391670 Ring Set (.010" O.S.)					295841 Pin-Piston (.005" O.S.)
		391676 Piston Assembly (.030" O.S.)			391671 Ring Set (.020" O.S.)			29	390402	Rod-Connecting
		690020 Ring Set (.030" O.S.)			Note			390773 Rod-Connecting (.020" Undersize)		
								31	222114	Lock-Rod Screw
								32	690352	Screw (Connecting Rod) (Used After Code Date 92080300).

★ Included in Engine Gasket Set-Ref No. 358.
 ● Included in Carburetor Overhaul Kit-Ref. No. 121.

◆ Included in Carburetor Gasket Set-Ref No. 977.
 ◊ Included in Valve Gasket Set-Ref No. 1095.

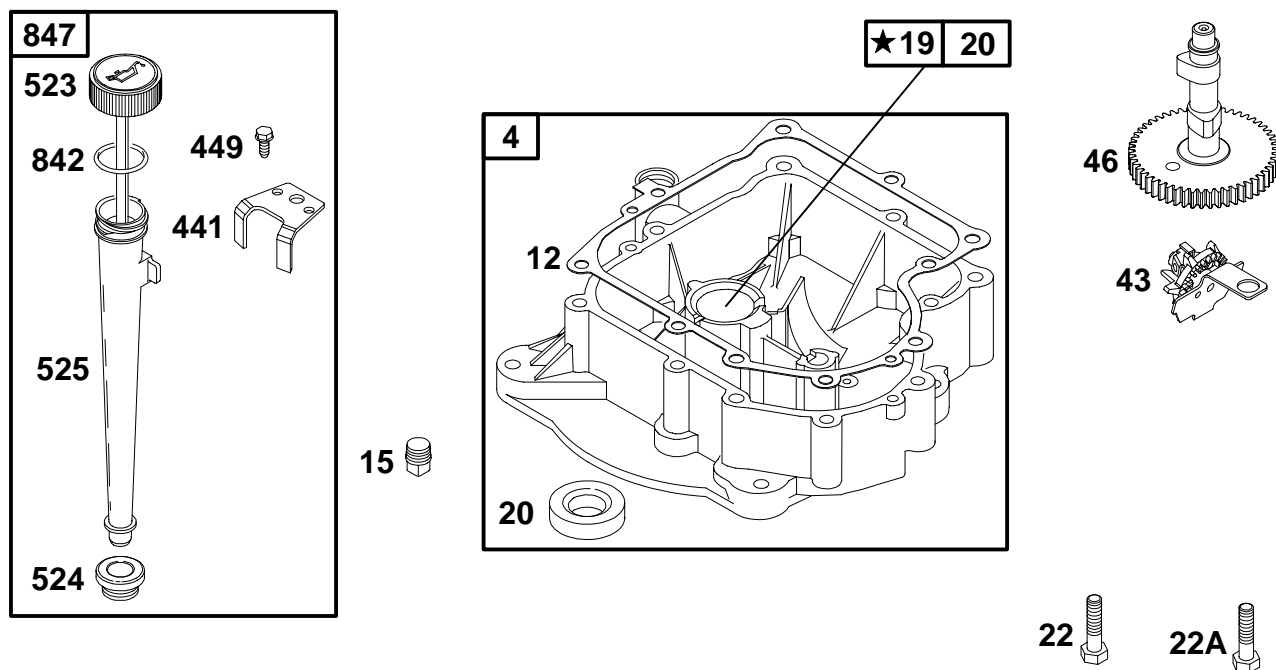
195700 to 195799



REF. NO.	PART NO.	DESCRIPTION	REF. NO.	PART NO.	DESCRIPTION	REF. NO.	PART NO.	DESCRIPTION
16	495629	Crankshaft (Used After Code Date 92070500). Note 396876 Crankshaft (Used Before Code Date 92070600). 495632 Crankshaft (Used After Code Date 92070500). Used on Type No(s). 4018, 4027, 4518, 4527. 396877 Crankshaft (Used Before Code Date 92070600). Used on Type No(s). 4018.	24	222698	Key-Flywheel	111	94853	Pin-Retainer
			33	390420	Valve-Exhaust	146	94388	Key-Timing
			34	261055	Valve-Intake	357	91540	Key-Drive Pulley
			35	65906	Spring-Valve (Intake)	709	691268	Eccentric
			36	26828	Spring-Valve (Exhaust)	741	691288	Gear-Timing
			40	221596	Retainer-Valve (Intake)	757	213998	Link-Counterweight
			40A	292260	Retainer-Valve (Exhaust)	758	690619	Counterweight
			42	494553	Keeper-Valve	759	691239	Pin-Counterweight
			45	260933	Tappet-Valve	761	690346	Screw (Counterweight)
						868	497656	Seal-Valve

★ Included in Engine Gasket Set-Ref No. 358.
● Included in Carburetor Overhaul Kit-Ref. No. 121.

◆ Included in Carburetor Gasket Set-Ref No. 977.
⊗ Included in Valve Gasket Set-Ref No. 1095.

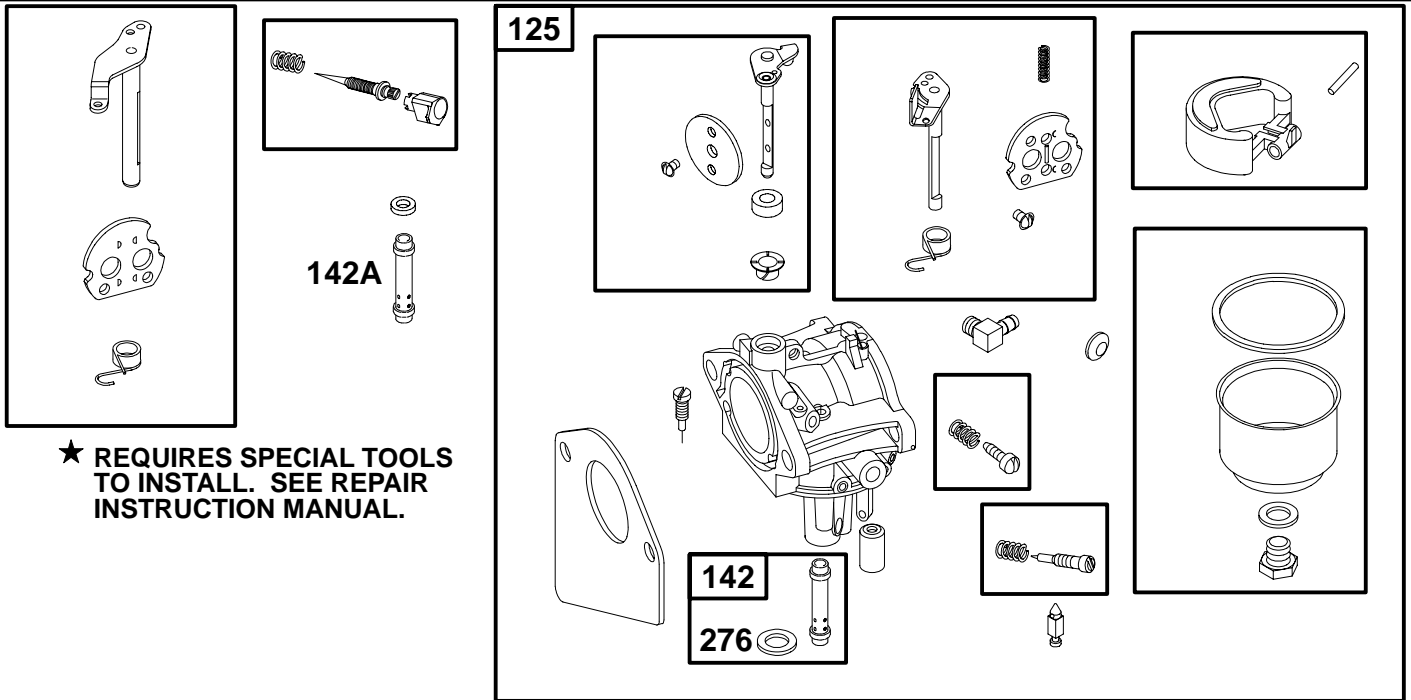


REF. NO.	PART NO.	DESCRIPTION	REF. NO.	PART NO.	DESCRIPTION	REF. NO.	PART NO.	DESCRIPTION
4	392548	Sump-Engine	19	295963	Kit-Bushing/Seal (PTO Side)	46	214786	Camshaft
12	★271701	Gasket-Crankcase (.015" Standard)	20	★391086	Seal-Oil (PTO Side)	441	224872	Bracket-Oil Fill
		Note	22	93585	Screw (Crankcase Cover/Sump)	449	94874	Screw (Oil Fill Bracket)
		★27876 Gasket-Crankcase (.005")	22A	691103	Screw (Crankcase Cover/Sump) (Used in Position 1)	523	691387	Dipstick
		★27877 Gasket-Crankcase (.009")	43	491397	Slinger-Governor/Oil	524	★281370	Seal-Dipstick Tube
15	94239	Plug-Oil Drain (Squaer Head)				525	497419	Tube-Dipstick
						842	★270920	O-Ring Seal
						847	392066	Dipstick/Tube Assembly

★ Included in Engine Gasket Set-Ref No. 358.
 ● Included in Carburetor Overhaul Kit-Ref. No. 121.

◆ Included in Carburetor Gasket Set-Ref No. 977.
 ⌀ Included in Valve Gasket Set-Ref No. 1095.

195700 to 195799

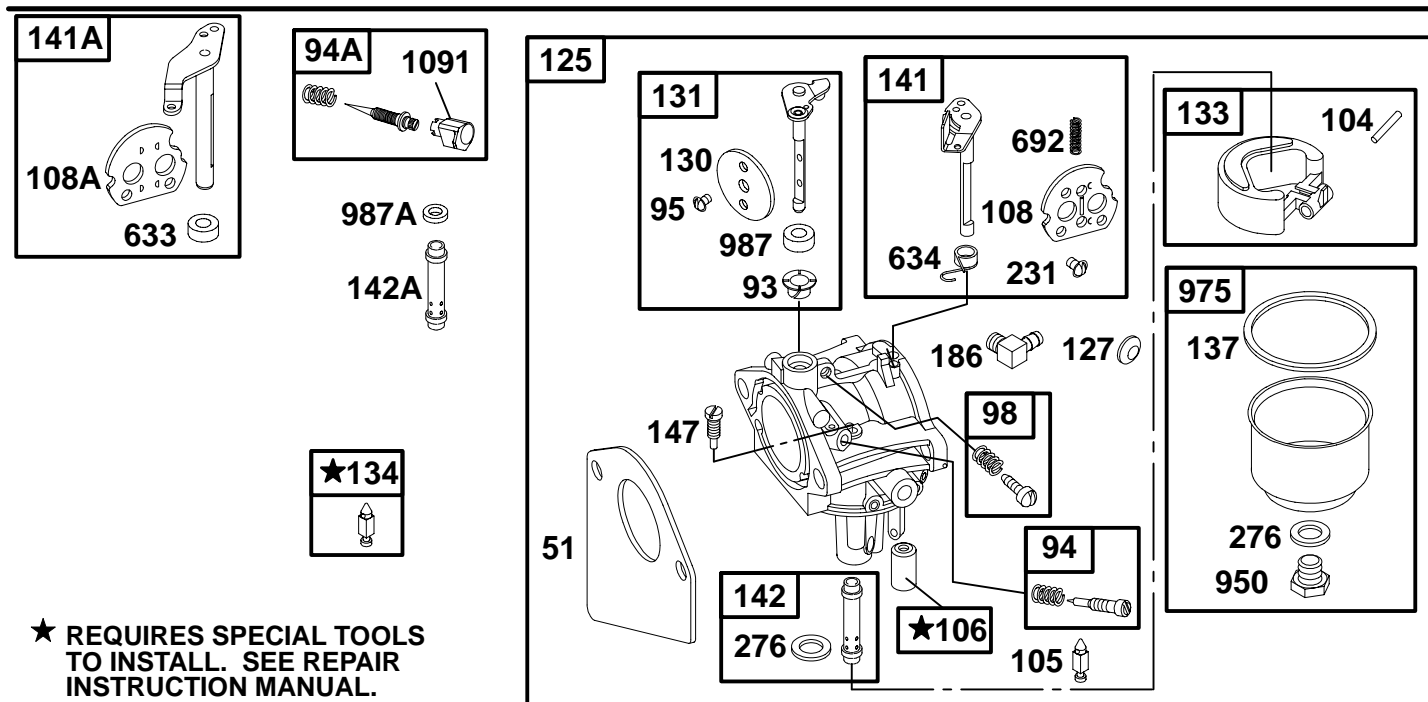


★ **REQUIRES SPECIAL TOOLS TO INSTALL. SEE REPAIR INSTRUCTION MANUAL.**

REF. NO.	PART NO.	DESCRIPTION	REF. NO.	PART NO.	DESCRIPTION	REF. NO.	PART NO.	DESCRIPTION
125	692684	Carburetor (LMT 191, 192, 194) Note 495782 Carburetor (LMT 53, 90) Used on Type No(s). 0101, 0102, 0111, 0112, 0113, 0114, 0117, 0118, 0119, 0120, 0121, 0122, 0124, 0125, 0126, 0127, 0128, 0129, 0130, 0131, 0132, 0133, 0134, 0135, 0144, 0149, 0150, 0151, 0153, 0155, 0157, 0160, 0162, 4002, 4015, 4016, 4018, 4019, 4020, 4025, 4026, 4027.		495780	Carburetor (LMT 86) Used on Type No(s). 0136, 0137, 0139, 0141, 0142, 0143, 0145, 0146, 0147, 0148, 0152, 0161, 0189. 499074 Carburetor (LMT 148) Used on Type No(s). 0413, 0421, 0436, 0449, 0450, 0452, 0453, 4515, 4516, 4518, 4520.	142	690121	Nozzle—Carburetor (Standard, LMT 191, 192, 194) Note 499105 Nozzle—Carburetor (Standard, LMT 148) 495608 Nozzle—Carburetor (High Altitude, LMT 20, 21, 22, 23, 46, 50, 51, 53, 83, 85, 86, 87, 88, 90) 499108 Nozzle—Carburetor (High Altitude, LMT 148) 692688 Nozzle—Carburetor (High Altitude, LMT 191, 192, 194)
	142A	●494877 Nozzle—Carburetor (Standard, LMT 20, 21, 22, 23, 46, 50, 51, 53, 83, 85, 86, 87, 88, 90)		276	●●281164 Washer—Sealing			

★ Included in Engine Gasket Set—Ref No. 358.
● Included in Carburetor Overhaul Kit—Ref. No. 121.

◆ Included in Carburetor Gasket Set—Ref No. 977.
⊗ Included in Valve Gasket Set—Ref No. 1095.



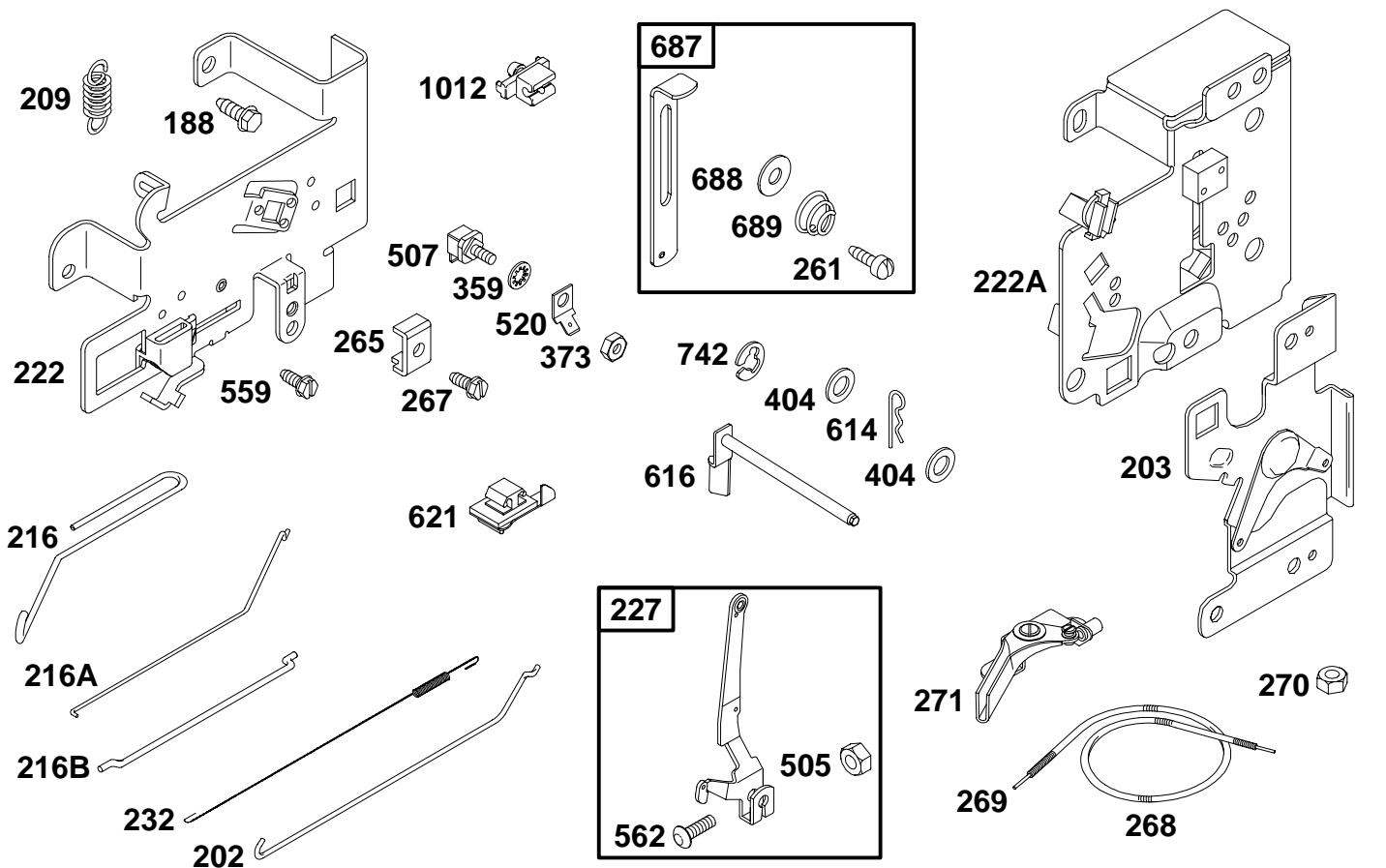
★ **REQUIRES SPECIAL TOOLS TO INSTALL. SEE REPAIR INSTRUCTION MANUAL.**

REF. NO.	PART NO.	DESCRIPTION	REF. NO.	PART NO.	DESCRIPTION	REF. NO.	PART NO.	DESCRIPTION
51	●♦272465	Gasket-Intake (Intake Manifold to Carburetor)	108	690464	Valve-Choke (Manual Choke)	142		Nozzle-Carburetor (See Previous Page)
93	690602	Bushing-Throttle Shaft	108A	692344	Valve-Choke (Choke A Matic)	142A		Nozzle-Carburetor (See Previous Page)
94	494383	Kit-Idle Mixture	125		Carburetor (See Previous Page)	147	●497472	Jet-Pilot
94A	498836	Kit-Idle Mixture (With Limiter Cap) (LMT 148)	127	●694530	Plug-Welch	186	493496	Connector-Hose
95	●94098	Screw (Throttle Valve)	130	690468	Valve-Throttle	231	94098	Screw (Choke Valve)
98	495800	Kit-Idle Speed (Used After Code Date 92071900).	131	494885	Kit-Throttle Shaft	276	281164	Washer-Sealing (See next Page)
	Note		133	494381	Float-Carburetor	633	●690597	Seal-Choke/Throttle Shaft
		398185 Kit-Idle Speed (Used Before Code Date 92072000).	134	●494788	Kit-Needle/Seat (Used Before Code Date 92072000).	634	●690801	Spring/Seal Assembly
104	●690525	Pin-Float Hinge	137	●♦281165	Gasket-Float Bowl	692	690572	Spring-Detent
105	●231855	Valve-Float Needle (Used After Code Date 92071900).	141	495097	Kit-Choke Shaft (Manual Choke)	950	94642	Screw (Float Bowl)
106	●231854	Seat-Inlet (Used After Code Date 92071900).	141A	495931	Kit-Choke Shaft (Choke A Matic) (Used After Code Date 92091400).	975	495933	Bowl-Float
	Note					987	●691326	Seal-Throttle Shaft
		●691901 Seat-Inlet (Used Before Code Date 92072000).				987A	●398970	Seal-Throttle Shaft (LMT 46, 49, 50, 51, 53, 86)
						1091	691333	Cap-Limiter

★ Included in Engine Gasket Set-Ref No. 358.
 ● Included in Carburetor Overhaul Kit-Ref. No. 121.

♦ Included in Carburetor Gasket Set-Ref No. 977.
 ⓧ Included in Valve Gasket Set-Ref No. 1095.

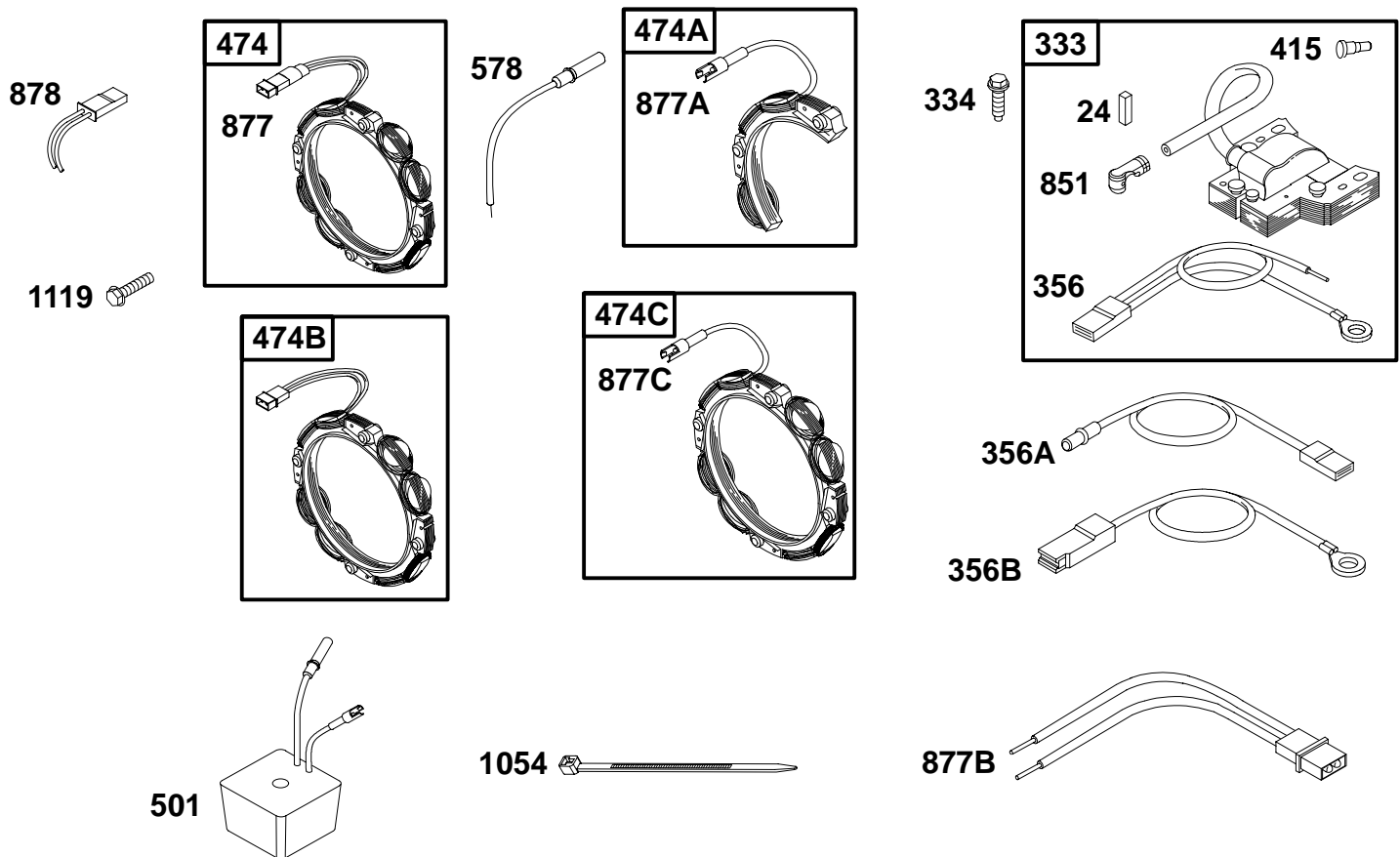
195700 to 195799



REF. NO.	PART NO.	DESCRIPTION	REF. NO.	PART NO.	DESCRIPTION	REF. NO.	PART NO.	DESCRIPTION			
188	94929	Screw (Control Bracket)	222	694042	Bracket-Control (Used After Code Date 99010600).	271	290568	Lever-Control			
202	692350	Link-Mechanical Governor			Note	359	691077	Washer (Ground Terminal)			
203	691381	Crank-Bell			495611	Bracket-Control (Used Before Code Date 99010700).	373	90576	Nut (Ground Terminal)		
209	260871	Spring-Governor			222A	494041	Bracket-Control	404	94927	Washer (Governor Crank)	
		Note	227	691374	Lever-Governor Control	505	231082	Nut (Governor Control Lever)	507	398525	Insulator
		261126 Spring-Governor Used on Type No(s). 0124, 0134, 0136, 0137, 0139, 0143, 0152, 0153, 0189, 4018, 0436, 4027, 4518, 4527.	232	692530	Spring-Governor Link	520	691084	Terminal-Ground	559	94896	Screw (Remote Choke Stop)
		691278 Spring-Governor Used on Type No(s). 4016, 4516.	261	690278	Screw (Control Slide)	562	92613	Bolt (Governor Control Lever)	614	93306	Pin-Cotter
216	690573	Link-Choke	265	221535	Clamp-Casing	616	495157	Crank-Governor	621	396847	Switch-Stop
216A	692893	Link-Choke	267	94906	Screw (Casing Clamp)	687	390701	Slide-Control	688	690395	Cap-Friction
216B	691281	Link-Choke	268	65616	Casing-Control Wire (Cut to Required Length)	689	690529	Spring-Friction	742	93307	Retainer-E Ring
			269	26633	Wire-Control (Cut to Required Length)	270	63426	Nut (Control Wire Casing)	1012	690585	Retainer-Link

★ Included in Engine Gasket Set-Ref No. 358.
● Included in Carburetor Overhaul Kit-Ref. No. 121.

◆ Included in Carburetor Gasket Set-Ref No. 977.
⊗ Included in Valve Gasket Set-Ref No. 1095.

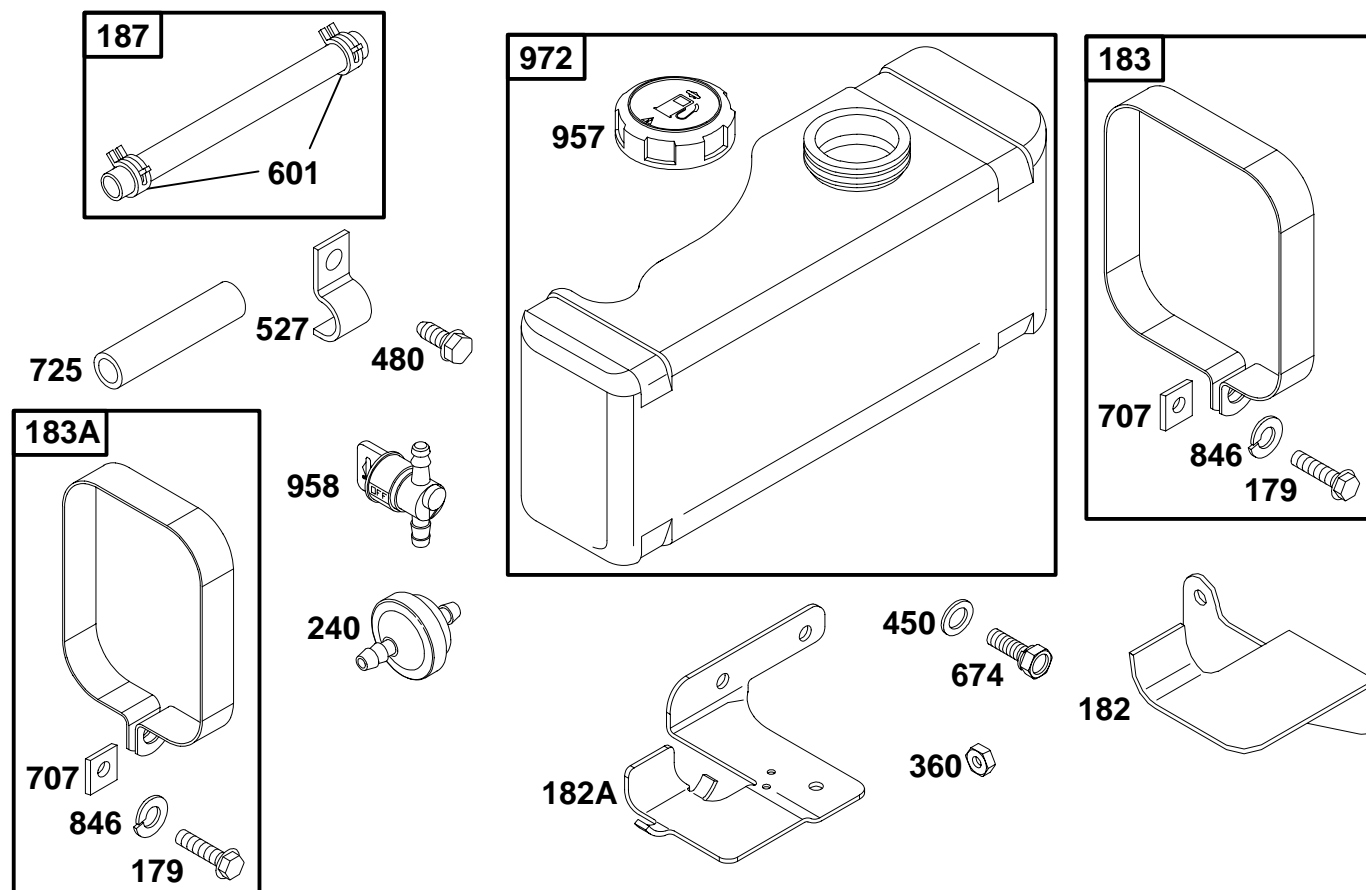


REF. NO.	PART NO.	DESCRIPTION	REF. NO.	PART NO.	DESCRIPTION	REF. NO.	PART NO.	DESCRIPTION
24	222698	Key-Flywheel	415	231143	Plug	877A	393814	Wire/Connector-Alternator (DC Only)
333	398811	Armature-Magneto	474	393474	Alternator (Dual Circuit)	877B	399916	Wire/Connector-Alternator (Regulated)
334	94731	Screw	474A	391529	Alternator (DC Only)	877C	393537	Wire/Connector-Alternator (Tri Circuit)
356	398808	Wire-Stop (2 Wire, 1 Insulated Male, 1 Flat Ring Terminal, 1 Bare Wire End)	474B	393295	Alternator (Regulated)	878	393362	Harness-Alternator (Dual Circuit)
356A	690799	Wire-Stop (1 Wire, 1 Insulated Male Terminal, 1 Contact Socket)	474C	392595	Alternator (Tri Circuit, 5 and 9 Amp)	1054	280275	Tie-Cable
356B	399223	Wire-Stop (1 Wire, Insulated Blade Terminal, Flat Ring Terminal)	501	491546	Regulator	1119	93621	Screw (Alternator)
			578	393422	Wire Assembly			
			851	493880	Terminal-Sparkplug			
			877	393456	Wire/Connector-Alternator (Dual Circuit)			

★ Included in Engine Gasket Set-Ref No. 358.
 ● Included in Carburetor Overhaul Kit-Ref. No. 121.

◆ Included in Carburetor Gasket Set-Ref No. 977.
 ⊗ Included in Valve Gasket Set-Ref No. 1095.

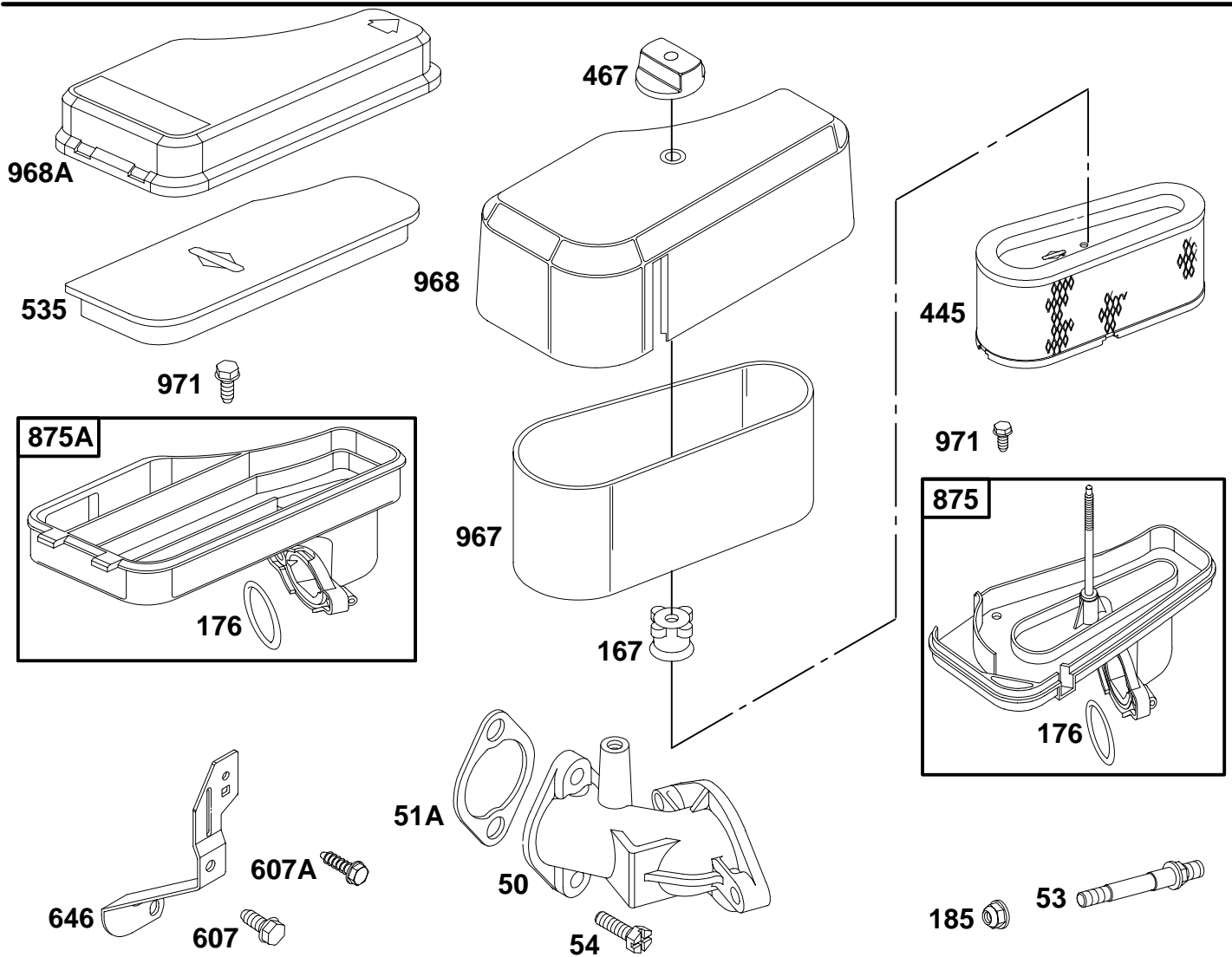
195700 to 195799



REF. NO.	PART NO.	DESCRIPTION	REF. NO.	PART NO.	DESCRIPTION	REF. NO.	PART NO.	DESCRIPTION
179	692331	Screw (Fuel Tank Strap)	240	298090	Filter-Fuel (Red)	674	94627	Screw (Fuel Tank Bracket) (3/4" Long, Rewind Start)
182	691214	Bracket-Fuel Tank (R.H.)			Note			
182A	692867	Bracket-Fuel Tank (L.H.)			394358			Filter-Fuel (Natural)
183	496853	Strap-Fuel Tank (R.H.)	360	94314	Nut (Fuel Tank Bracket)			Note
183A	496852	Strap-Fuel Tank (L.H.)	450	691261	Washer (Fuel Tank Bracket) (5/8 O.D., 4 Used On Rewind Start Only)			690341
187	296004	Line-Fuel (Cut to Required Length)			Note	707	690279	Screw (Fuel Tank Bracket) (7/8" Long, Electric Start)
					690259			Nut (Fuel Tank Strap)
						725	690403	Shield-Heat (Tubular)
						846	90832	Washer (Fuel Tank Strap)
			480	94874	Screw (Heat Shield)	957	493988	Cap-Fuel Tank (Plastic)
			527	690394	Clamp-Tube	958	494768	Valve-Fuel Shut-Off
			601	93053	Clamp-Hose	972	390225	Tank-Fuel (3 Quart)

★ Included in Engine Gasket Set-Ref No. 358.
● Included in Carburetor Overhaul Kit-Ref. No. 121.

◆ Included in Carburetor Gasket Set-Ref No. 977.
⊙ Included in Valve Gasket Set-Ref No. 1095.

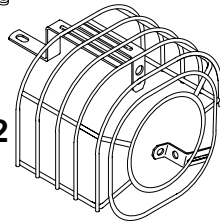
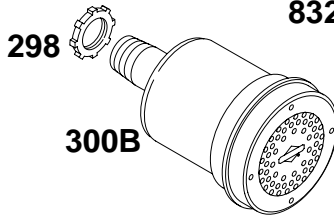
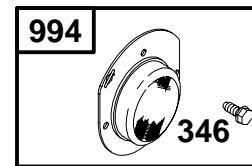
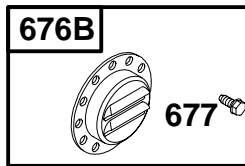
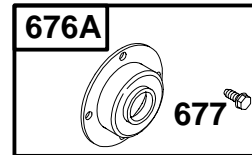
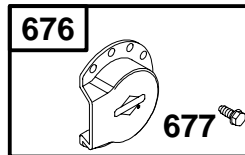
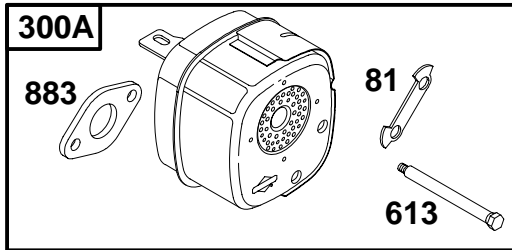
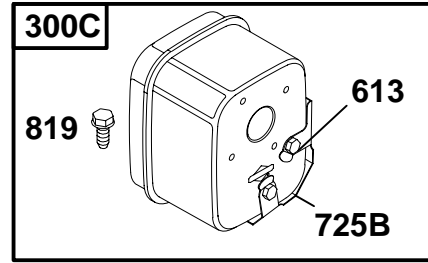
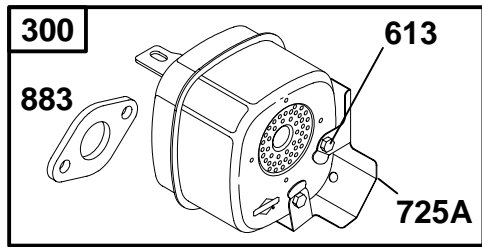


REF. NO.	PART NO.	DESCRIPTION	REF. NO.	PART NO.	DESCRIPTION	REF. NO.	PART NO.	DESCRIPTION
50	213819	Manifold-Intake	607	690703	Screw (Air Cleaner Brace) (7/16" Long)	875A	494745	Base-Air Cleaner (Uses Paper Filter With Foam Pre Cleaner)
51A	∅★272554	Gasket-Intake	607A	94929	Screw (Air Cleaner Brace) (3/8" Long)	967	272477	Filter-Pre Cleaner
53	691098	Stud (Carburetor)	646	690465	Bracket-Air Cleaner	968	691324	Cover-Air Cleaner (Uses Foam Filter)
54	93208	Screw (Intake Manifold)	875	693670	Base-Air Cleaner (Uses Foam Filter) (Used After Code Date 98091300).	968A	281108	Cover-Air Cleaner (Uses Paper Filter With Foam Pre Cleaner)
167	281051	Seal-Air Cleaner Nut	Note			971	692126	Screw (Air Cleaner Base)
176	∅★281106	O-Ring Seal (Air Cleaner Base)	494827		Base-Air Cleaner (Uses Foam Filter) (Used Before Code Date 98091400).			
185	94010	Nut (Air Cleaner Base)						
445	493910	Filter-Cartridge Air Cleaner						
467	493903	Knob-Air Cleaner						
535	272922	Filter-Foam Air Cleaner						

★ Included in Engine Gasket Set-Ref No. 358.
 ● Included in Carburetor Overhaul Kit-Ref. No. 121.

◆ Included in Carburetor Gasket Set-Ref No. 977.
 ∅ Included in Valve Gasket Set-Ref No. 1095.

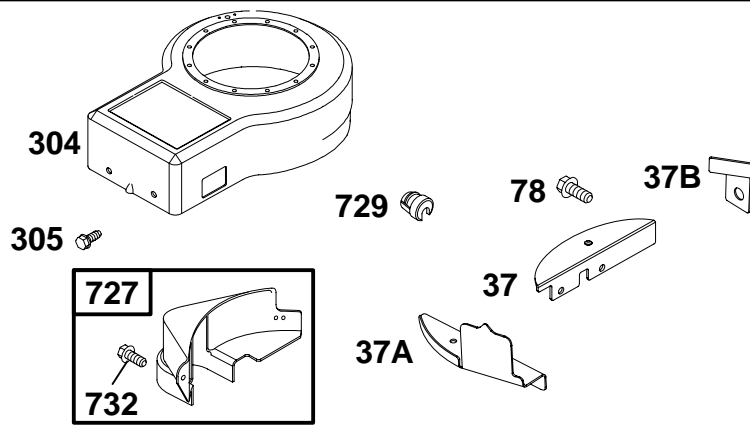
195700 to 195799



REF. NO.	PART NO.	DESCRIPTION	REF. NO.	PART NO.	DESCRIPTION	REF. NO.	PART NO.	DESCRIPTION
81	222263	Lock-Muffler Screw	676	393757	Deflector-Muffler (Side Outlet)	832	492337	Guard-Muffler (Standard)
298	261409	Locknut-Muffler/Elbow	676A	395700	Deflector-Muffler (Direct Outlet)	Note 497427 Guard-Muffler (Used With Lo Tone Mufflers Without Heat Shield) Used on Type No(s). 0450.		
300	398507	Muffler (Lo Tone, Heat Shield)	676B	393758	Deflector-Muffler (Louvered)			
300A	391313	Muffler (Lo Tone, No Heat Shield)	677	94896	Screw (Muffler Deflector)	836	690367	Screw (Muffler Guard) (9/16" Long)
300B	393010	Muffler (Round Lo Tone)	725A	690431	Shield-Heat (Used With Lo Tone Muffler)	836A	695669	Screw (Muffler Guard) (7/16" Long)
300C	494222	Muffler (Super Lo Tone)	725B	690433	Shield-Heat (Used With Super Lo Tone Muffler)	883	272309	Gasket-Exhaust
303	94092	Elbow-Exhaust	819	94905	Screw (Muffler Bracket)	994	399541	Arrestor-Spark
346	94896	Screw (Spark Arrestor)						
613	94042	Screw (Muffler)						

★ Included in Engine Gasket Set-Ref No. 358.
 ● Included in Carburetor Overhaul Kit-Ref. No. 121.

◆ Included in Carburetor Gasket Set-Ref No. 977.
 ⓪ Included in Valve Gasket Set-Ref No. 1095.



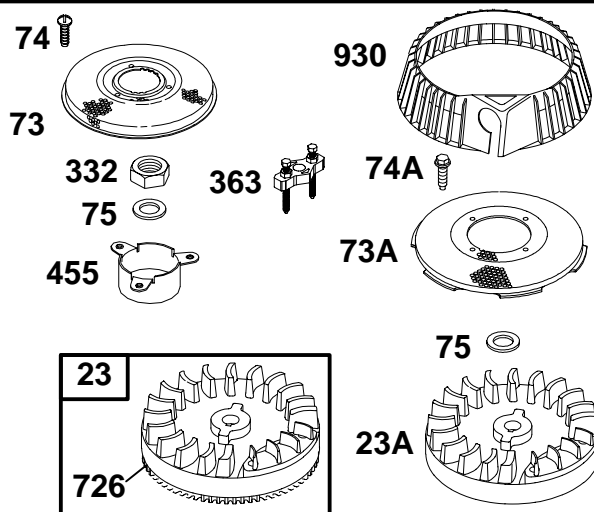
1036 EMISSIONS LABEL

REF. NO.	PART NO.	DESCRIPTION	REF. NO.	PART NO.	DESCRIPTION	REF. NO.	PART NO.	DESCRIPTION
37	690411	Guard-Flywheel Note — 692868 Guard-Flywheel Used on Type No(s). 0148, 0155.	304	496832	Housing-Blower (For Rewind Starter) Note — 496439 Housing-Blower (For Electric Starter) Used on Type No(s). 0101, 0111, 0112, 0113, 0114, 0117, 0118, 0119, 0120, 0121, 0124, 0125, 0127, 0129, 0130, 0131, 0133, 0137, 0139, 0141, 0143, 0145, 0147, 0148, 0153, 0155, 0161, 0162, 0189, 0412, 0413, 0414, 0421, 0429, 0430, 0432, 0453, 0461, 0468, 0490, 4019, 4025, 4026, 4027, 4519, 4525, 4526, 4527.	732	691097	Screw (Starter Drive Cover)
37A	690490	Guard-Flywheel Used on Type No(s). 0129.	305	94786	Screw (Blower Housing)	1036	695697	Label-Emissions (Used After Code Date 00063000). Note — 695096 Label-Emissions (Used After Code Date 9909300 and Before Code Date 00070100). 694305 Label-Emissions (Used Before Code Date 99100100 and After Code Date 98123100). 499356 Label-Emissions (Used Before Code Date 99010100 and After Code Date 97052500). 499355 Label-Emissions (Used Before Code Date 97052600).
37B	221968	Guard-Flywheel Used on Type No(s). 0129.	727	395405	Cover-Starter Drive			
78	690364	Screw (Flywheel Guard)	729	690603	Clip-Wire (Used After Code Date 93112800). Note — 690596 Clip-Wire (Used Before Code Date 93112900).			

★ Included in Engine Gasket Set-Ref No. 358.
● Included in Carburetor Overhaul Kit-Ref. No. 121.

◆ Included in Carburetor Gasket Set-Ref No. 977.
⊗ Included in Valve Gasket Set-Ref No. 1095.

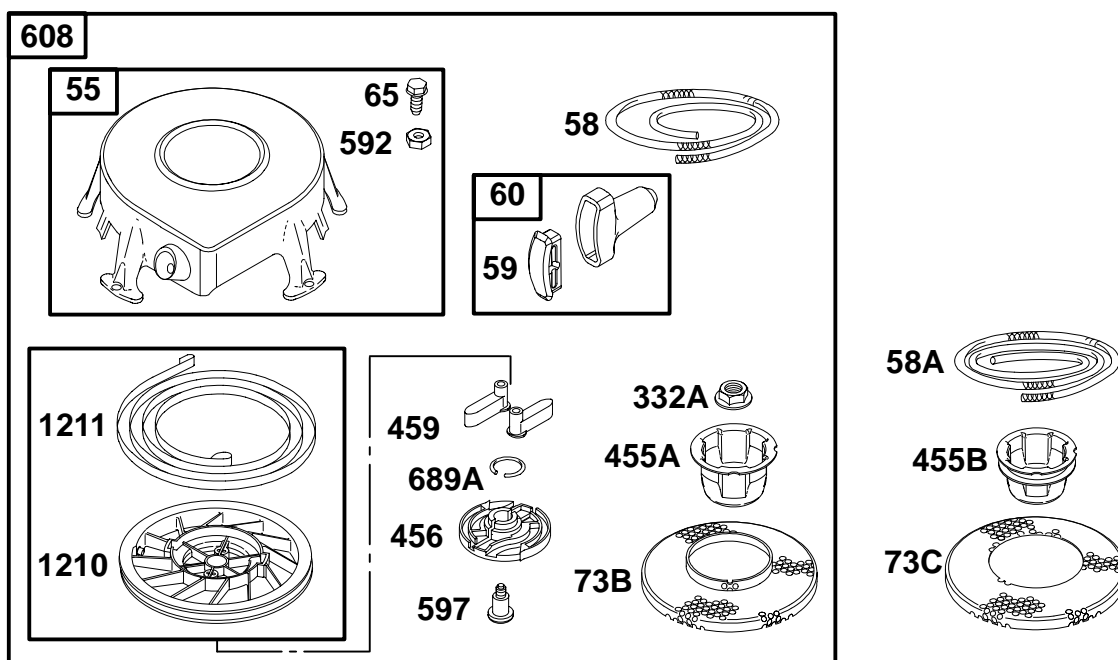
195700 to 195799



REF. NO.	PART NO.	DESCRIPTION	REF. NO.	PART NO.	DESCRIPTION	REF. NO.	PART NO.	DESCRIPTION
23	691354	Flywheel (Electric Start) Note 690615 Flywheel Used on Type No(s). 0449, 0450, 0457, 0465, 0467, 4502, 4515, 4518, 4520. 690626 Flywheel Used on Type No(s). 0129, 0131.	73	224517	Screen-Rotating (1 3/4" I.D., No Collar, Flush)	75	225136	Washer (Flywheel)
			73A	224874	Screen-Rotating (2 11/32" I.D., No Collar, Use Starter Clutch) Used on Type No(s). 0429, 0430, 0432.	332	94877	Nut (Flywheel) (Used Before Code Date 98111600).
			74	94626	Screw (Rotating Screen)	363	19165	Flywheel Puller
23A	690615	Flywheel (Rewind Start)	74A	93758	Screw (Rotating Screen) Used on Type No(s). 0429, 0430, 0432.	455	691173	Cup-Flywheel (Straight Side)
						726	399676	Gear-Ring (Includes Mounting Parts)
						930	280685	Guard-Rewind

★ Included in Engine Gasket Set-Ref No. 358.
● Included in Carburetor Overhaul Kit-Ref. No. 121.

◆ Included in Carburetor Gasket Set-Ref No. 977.
⊗ Included in Valve Gasket Set-Ref No. 1095.

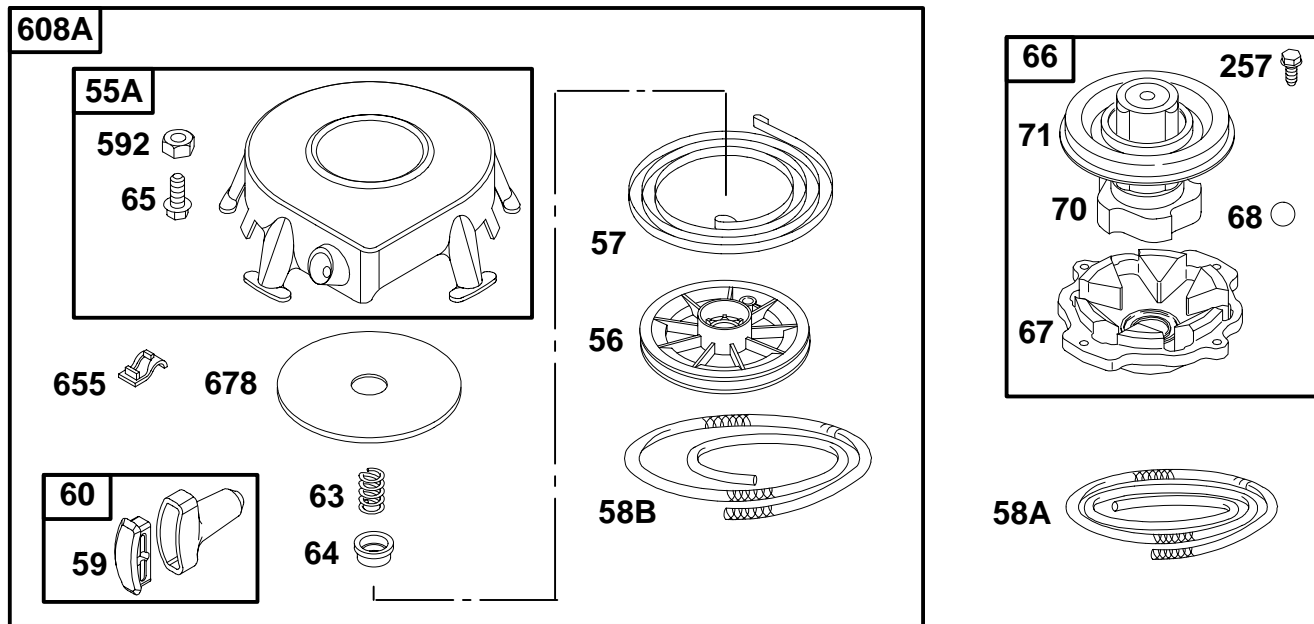


REF. NO.	PART NO.	DESCRIPTION	REF. NO.	PART NO.	DESCRIPTION	REF. NO.	PART NO.	DESCRIPTION
55	693904	Housing—Rewind Starter (Used After Code Date 99022800).	332A	693899	Nut (Flywheel) ((Used With Starter Rewind) (Used After Code Date 99022800).	592	94908	Nut (Starter Rewind)
58	66884	Rope—Starter (63" Length)	455A	693902	Cup—Flywheel (Tapered Side With Ring Retainer) (Used After Code Date 99022800).	597	94943	Screw (Pawl Friction Plate) (Used After Code Date 99022800).
58A	66894	Rope—Starter (99" Length)	455B	694017	Cup—Flywheel (Used with 99" Rope) (Tapered Side With Ring Retainer and Rotating Ring) (Used After Code Date 99022800).	608	693900	Starter—Rewind (63" Length Rope) (Used After Code Date 99022800).
59	490653	Insert—Grip	456	281503	Plate—Pawl Friction (Used After Code Date 99022800).	689A	263073	Spring—Friction (Used After Code Date 99022800).
60	490652	Grip—Starter Rope (2 Piece)	459	281505	Pawl—Ratchet (Used After Code Date 99022800).	1210	498144	Pulley/Spring Assembly (Pulley) (Used After Code Date 99022800).
65	94904	Screw (Rewind Starter)				1211	498144	Pulley/Spring Assembly (Spring) (Used After Code Date 99022800).
73B	693905	Screen—Rotating (2 19/32" Collar I.D., Use Tapered Cup Without Ring) (Used After Code Date 99022800).						
73C	694020	Screen—Rotating (Used with 99" Rope) (2 5/8" Collar I.D., Use Tapered Cup With Ring) (Used After Code Date 99022800).						

★ Included in Engine Gasket Set—Ref No. 358.
● Included in Carburetor Overhaul Kit—Ref. No. 121.

◆ Included in Carburetor Gasket Set—Ref No. 977.
⊗ Included in Valve Gasket Set—Ref No. 1095.

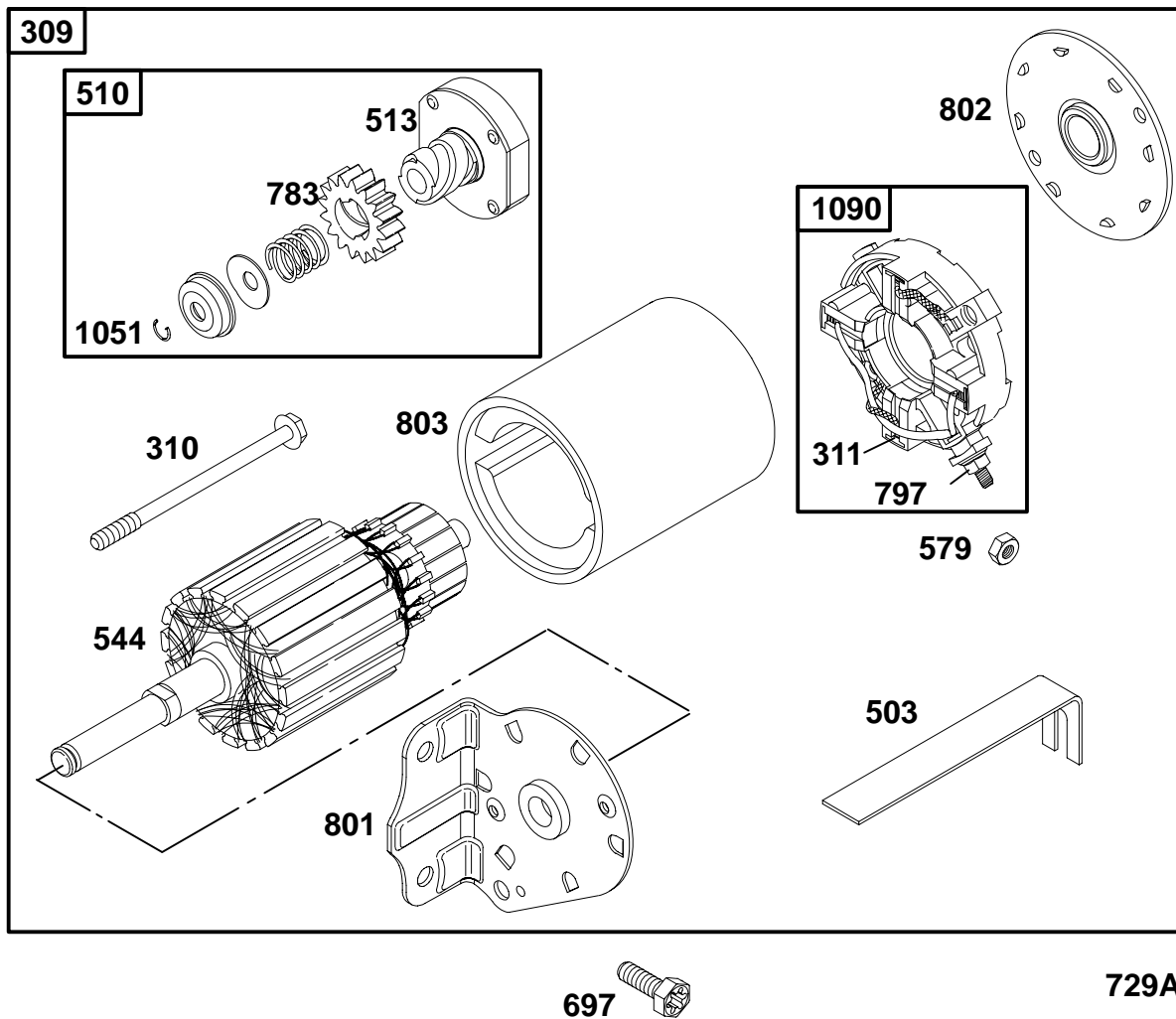
195700 to 195799



REF. NO.	PART NO.	DESCRIPTION	REF. NO.	PART NO.	DESCRIPTION	REF. NO.	PART NO.	DESCRIPTION
55A	393576	Housing-Rewind Starter (Used Before Code Date 99030100).	63	260414	Spring-Ratchet (Used Before Code Date 99030100).	70	298799	Ratchet-Clutch (Used Before Code Date 99030100).
56	295871	Pulley-Starter (Used Before Code Date 99030100).	64	281204	Adapter-Ratchet Spring (Used Before Code Date 99030100).	71	691359	Cover-Ratchet (Used Before Code Date 99030100).
57	490179	Spring-Rewind Starter (Used Before Code Date 99030100).	65	94904	Screw (Rewind Starter)	257	94680	Screw (Starter Clutch) (Used Before Code Date 99030100).
58A	66894	Rope-Starter (99" Length)	66	399671	Clutch-Starter (Used Before Code Date 99030100).	592	94908	Nut (Rewind Starter)
58B	66884	Rope-Starter (63" Length)	67	394897	Clutch-Housing (Used Before Code Date 99030100).	608A	390391	Starter-Rewind (Used Before Code Date 99030100).
59	490653	Insert-Grip	68	63770	Ball-Clutch (Used Before Code Date 99030100).	655	222598	Anchor-Rewind Spring (Used Before Code Date 99030100).
60	490652	Grip-Starter Rope (2 Piece)				678	490817	Spacer-Rewind (Used Before Code Date 99030100).

★ Included in Engine Gasket Set-Ref No. 358.
● Included in Carburetor Overhaul Kit-Ref. No. 121.

◆ Included in Carburetor Gasket Set-Ref No. 977.
⊗ Included in Valve Gasket Set-Ref No. 1095.

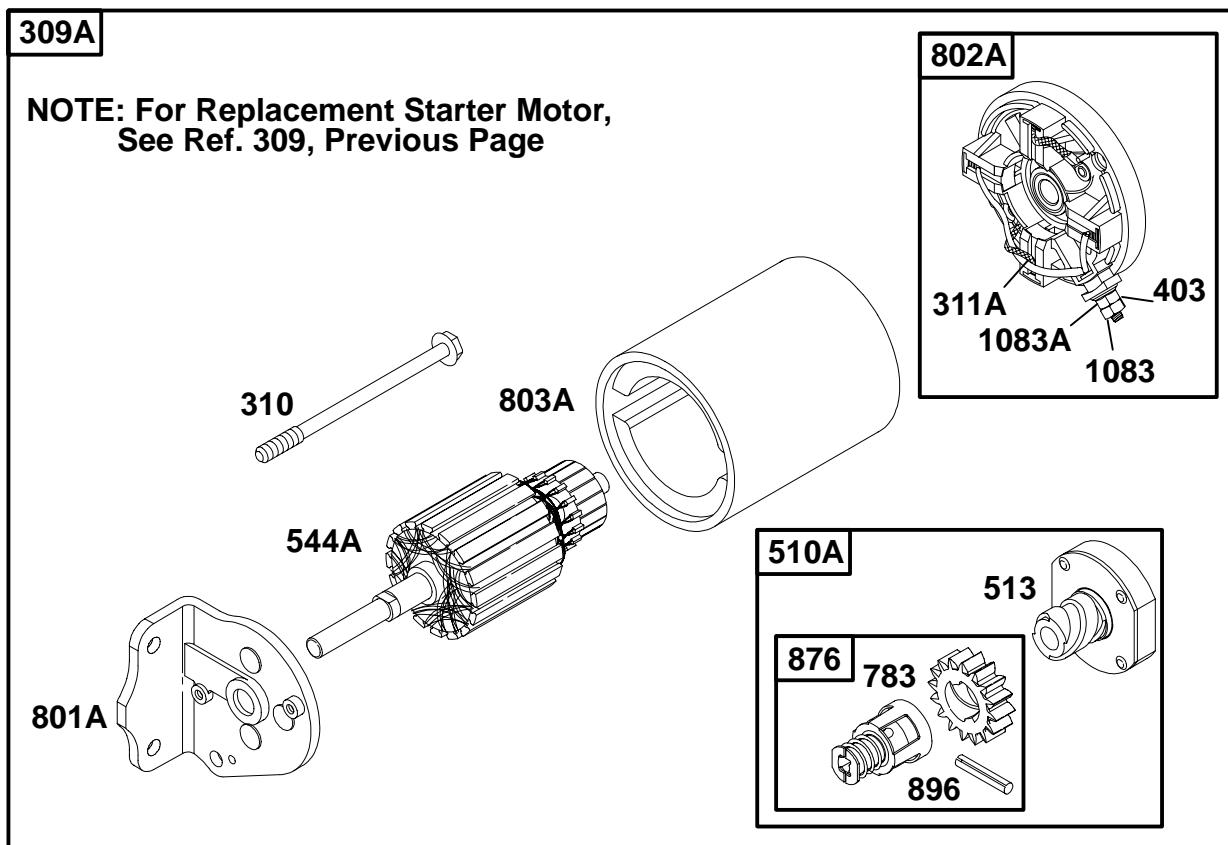


REF. NO.	PART NO.	DESCRIPTION	REF. NO.	PART NO.	DESCRIPTION	REF. NO.	PART NO.	DESCRIPTION
309	693054	Motor-Starter	544	497603	Armature-Starter (Service)	783	693059	Gear-Pinion
310	690323	Bolt (Starter Motor)	579	92278	Nut (Starter Cable) (7/32" Thick)	797	693167	Nut (Brush Retainer)
311	497608	Brush Set (Service)	697	690372	Screw (Drive Cap) (11/16" Think)	801	691429	Cap-Drive (Service)
503	691532	Strap-Starter	729A	691224	Clip-Wire (Service)	802	497607	Cap-End (Sans Brush Set)
510	497606	Drive-Starter (Service)				803	691427	Housing-Starter
513	398003	Clutch-Drive				1051	263080	Ring-Retaining
						1090	497605	Retainer-Brush

★ Included in Engine Gasket Set-Ref No. 358.
 ● Included in Carburetor Overhaul Kit-Ref. No. 121.

◆ Included in Carburetor Gasket Set-Ref No. 977.
 ⌀ Included in Valve Gasket Set-Ref No. 1095.

195700 to 195799



309A

**NOTE: For Replacement Starter Motor,
See Ref. 309, Previous Page**

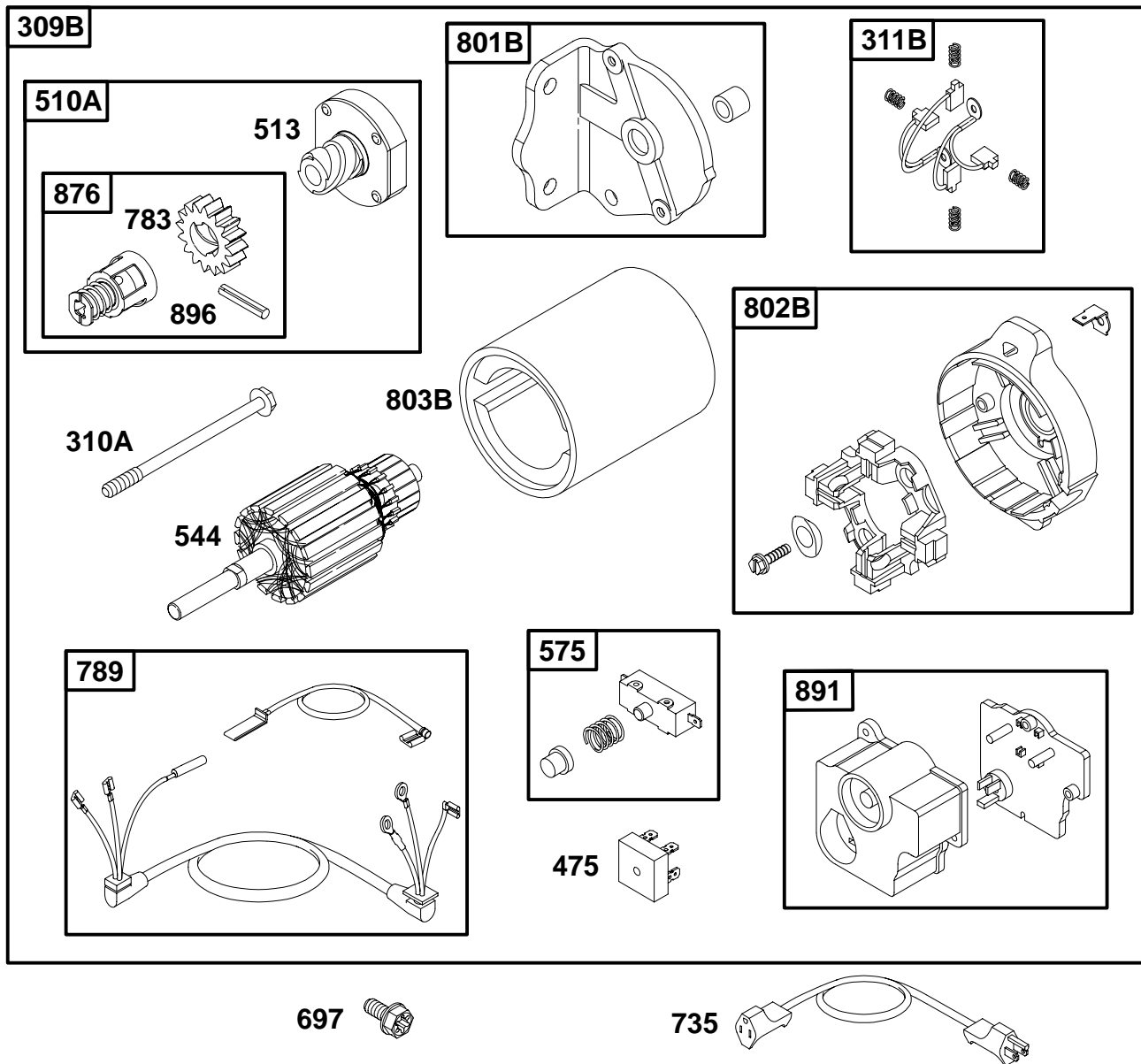
802A

510A

REF. NO.	PART NO.	DESCRIPTION	REF. NO.	PART NO.	DESCRIPTION	REF. NO.	PART NO.	DESCRIPTION
309A		Motor-Starter (For Replacement Starter Motor, See Ref 309 on previous page)	544A	390837	Armature-Starter (Standard)	803A	398159	Housing-Starter (Standard)
310	690323	Bolt (Starter Motor)	697A	94627	Screw (3/4" Long) (Drive Cap)	876	495877	Kit-Pinion Spring
311A	395538	Brush Set (Standard)	729B	224723	Clip-Wire (Standard)	896	94288	Retainer-Drive Pin
403	690288	Washer (End Cap)	783	693059	Gear-Pinion	1083	93715	Nut (End Cap) (7/16" Thick)
510A	495878	Drive-Starter (Standard)	801A	394856	Cap-Drive (Standard)	1083A	94010	Nut (End Cap) (1/4" Thick)
513	398003	Clutch-Drive	802A	395537	Cap-End (Contains Brush Set)			

★ Included in Engine Gasket Set-Ref No. 358.
● Included in Carburetor Overhaul Kit-Ref. No. 121.

◆ Included in Carburetor Gasket Set-Ref No. 977.
⊘ Included in Valve Gasket Set-Ref No. 1095.

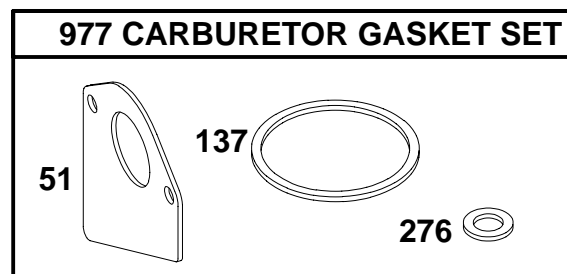
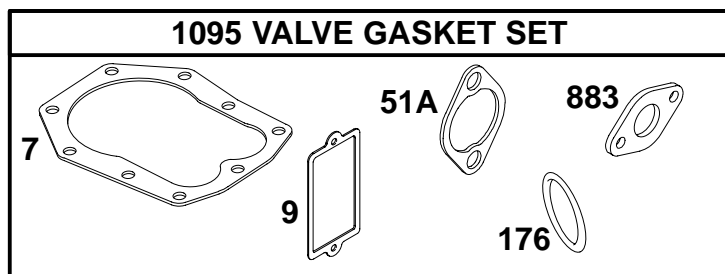
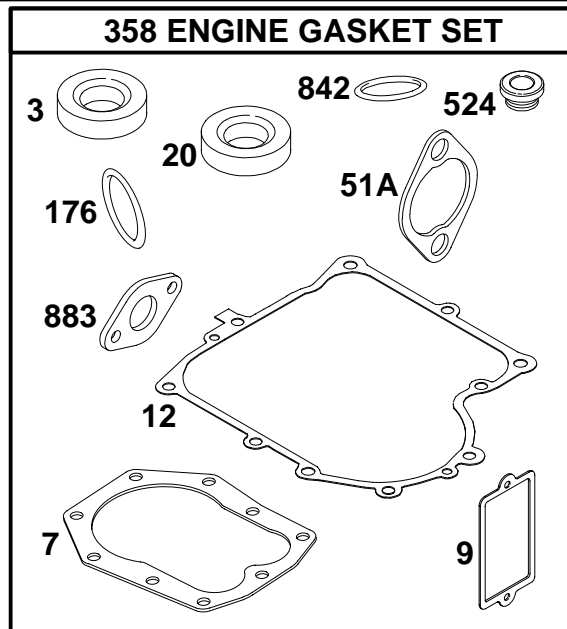
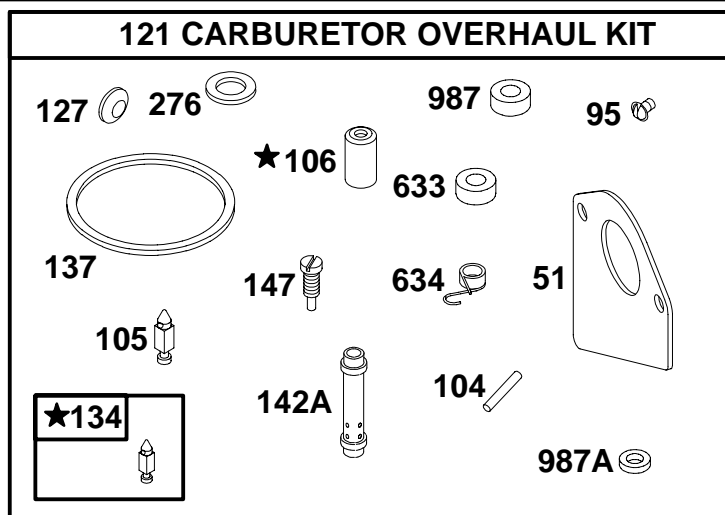


REF. NO.	PART NO.	DESCRIPTION	REF. NO.	PART NO.	DESCRIPTION	REF. NO.	PART NO.	DESCRIPTION
309B	396505	Motor-Starter (120 Volt Electric)	575		Switch-Starting (Service with Ref No. 309B Starter Motor)	801B	492060	Cap-Drive (Electric)
310A	690318	Bolt (Starter Motor)	697	690372	Screw (Drive Cap) (11/16" Long)	802B		Cap-End (Service with Ref No. 309B Starter Motor)
311B	393612	Brush Set	735	390966	Cord-Starter	803B		Housing-Starter (Service with Ref No. 309B Starter Motor)
475	393707	Rectifier	783	693059	Gear-Pinion	876	495877	Kit-Pinion Spring
510A	495878	Drive-Starter (Standard)	789	393706	Harness-Wiring	891	393705	Housing-Switch
513	398003	Clutch-Drive				896	94288	Pin-Drive Retainer
544		Armature-Starter (Service with Ref No. 309B Starter Motor)						

★ Included in Engine Gasket Set-Ref No. 358.
● Included in Carburetor Overhaul Kit-Ref. No. 121.

◆ Included in Carburetor Gasket Set-Ref No. 977.
⊗ Included in Valve Gasket Set-Ref No. 1095.

195700 to 195799



★ REQUIRES SPECIAL TOOLS TO INSTALL. SEE REPAIR INSTRUCTION MANUAL.

REF. NO.	PART NO.	DESCRIPTION	REF. NO.	PART NO.	DESCRIPTION	REF. NO.	PART NO.	DESCRIPTION
3	★391086	Seal—Oil (Magneto Side) (Used After Code Date 92070500).	51	◆272465	Gasket—Intake	137	◆281165	Gasket—Float Bowl
		Note	51A	∅★272554	Gasket—Intake	142A	◆494877	Nozzle—Carburetor (Standard, LMT 20, 21, 22, 23, 46, 50, 51, 53, 83, 85, 86, 87, 88, 90)
		★294606 Seal—Oil (Magneto Side) (Used Before Code Date 92070600).	95	◆94098	Screw (Throttle Valve)			
7	∅★272163	Gasket—Cylinder Head	104	◆690525	Pin—Float Hinge	147	◆497472	Jet—Pilot
9	∅★27803	Gasket—Breather	105	◆231855	Valve—Float Needle (Used After Code Date 92071900).	176	∅★281106	O-Ring Seal (Air Cleaner Base)
12	★271701	Gasket—Crankcase (.015" Standard)	106	◆231854	Seat—Inlet (Used After Code Date 92071900).			
		Note			◆691901 Seat—Inlet (Used Before Code Date 92072000).	276	◆281164	Washer—Sealing
		★27876 Gasket—Crankcase (.005")	121	497535	Kit—Carburetor Overhaul	358	299577	Gasket Set—Engine
		★27877 Gasket—Crankcase (.009")	127	◆694530	Plug—Welch	524	★281370	Seal—Dipstick Tube
20	★391086	Seal—Oil (PTO Side)	134	◆494788	Kit—Needle/Seat (Used Before Code Date 92072000).	633	◆690597	Seal—Choke/Throttle Shaft
						634	◆690801	Spring/Seal Assembly
						842	★270920	O-Ring Seal
						883	∅★272309	Gasket—Exhaust
						977	494385	Gasket Set—Carburetor
						987	◆691326	Seal—Throttle Shaft
						987A	◆398970	Seal—Throttle Shaft
						1095	498536	Gasket Set—Valve

★ Included in Engine Gasket Set—Ref No. 358.
 ◆ Included in Carburetor Overhaul Kit—Ref. No. 121.

◆ Included in Carburetor Gasket Set—Ref No. 977.
 ∅ Included in Valve Gasket Set—Ref No. 1095.