

1072.

**190700 to 190799**

*Notes*

# Illustrated Parts List

## Model Series

# 190700 to 190799

TYPE NUMBERS  
0010 through 0017  
0110 through 0190  
0510 through 0526  
0610 through 0928  
5010 through 5156

### TO FIND

**THE CORRECT NUMBER OF THE PART YOU NEED:**

**FOLLOW THE INSTRUCTIONS BELOW**

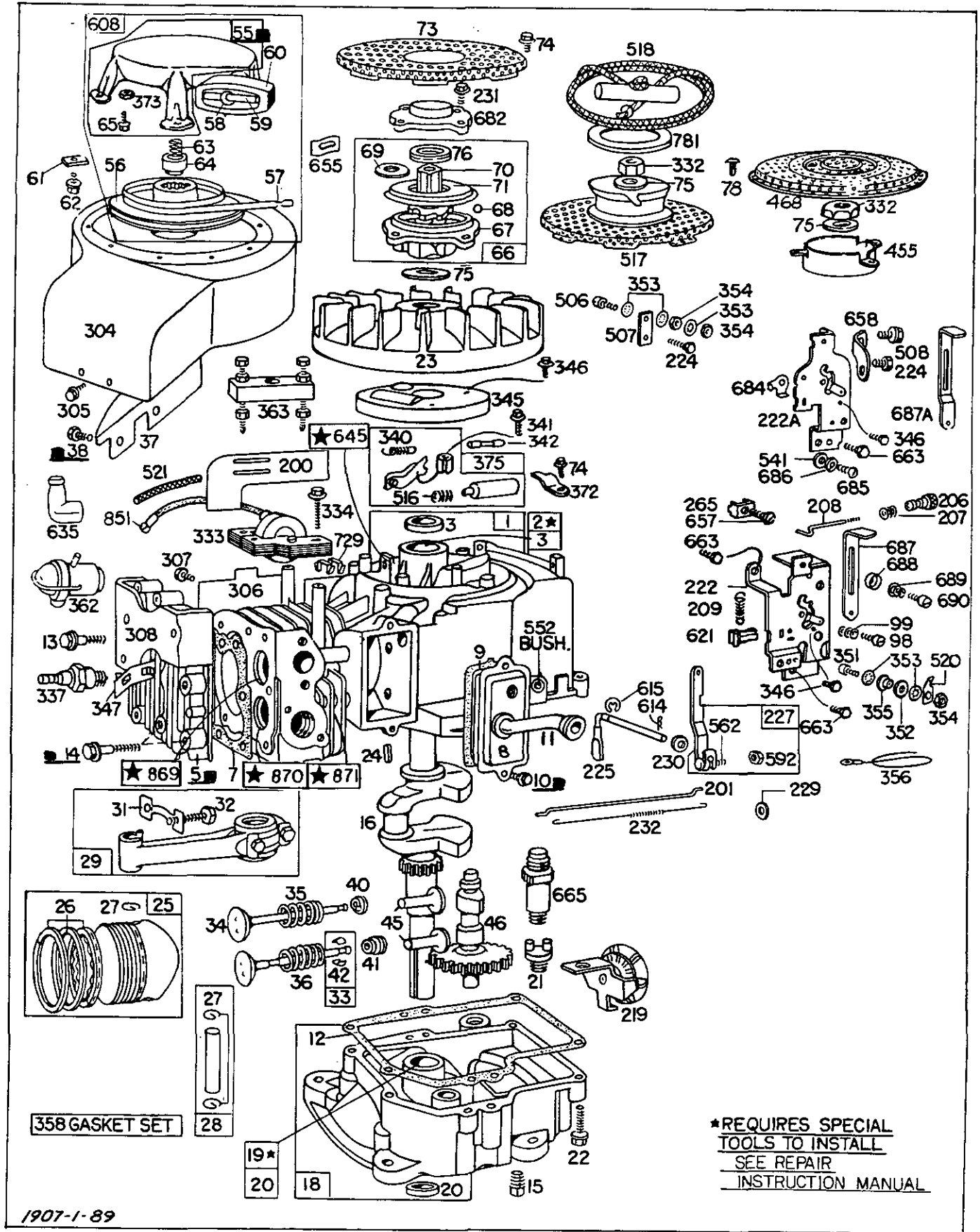
- A. Refer to Engine Model, Type and Code Number that is stamped on the blower housing of engine. Engine type numbers such as 0123 01 are listed herein only as 0123. The two digits (01 or 02, etc.) to the right of the space are not needed for parts identification. Then use the Illustrated Parts List covering these Model Series.
- B. Refer to Illustrated Parts section and compare the old part with illustration. The number on the illustration is the Reference Number. Assemblies include all parts shown in frames. All parts shown in assembly frames on which individual reference numbers are given can be purchased separately.
- C. After the Reference Number has been identified, refer to the Numerical Parts List, where Reference and Master Part Numbers are listed. **THE MASTER PART IS USED ON ALL TYPE NUMBERS EXCEPT THOSE TYPE NUMBERS UNDER "NOTE".**
- D. If a "Note" appears below the Master Part Number, this means that this part differs from the Master Part for certain types. If the Type Number is listed under "Note", order the part referred to.
- E. If the Engine Type Number does not appear after any part number listed under "Note", use the Master Part Number.
- F. For Type Numbers higher than those covered by this book, please refer to the factory if you are unable to identify the part by comparison.

PRINTED IN U.S.A.

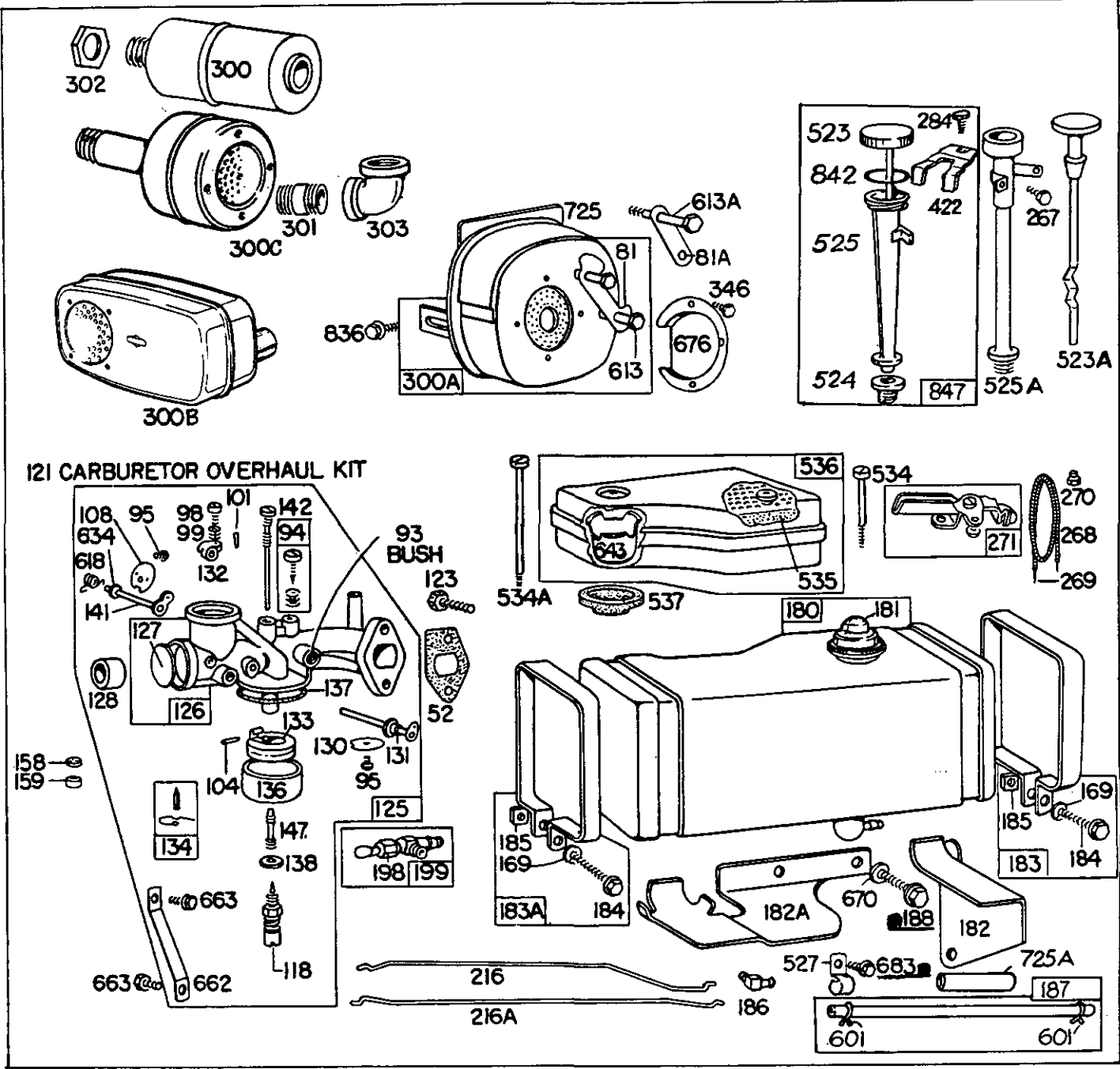


COPYRIGHT ©

# 190700 to 190799



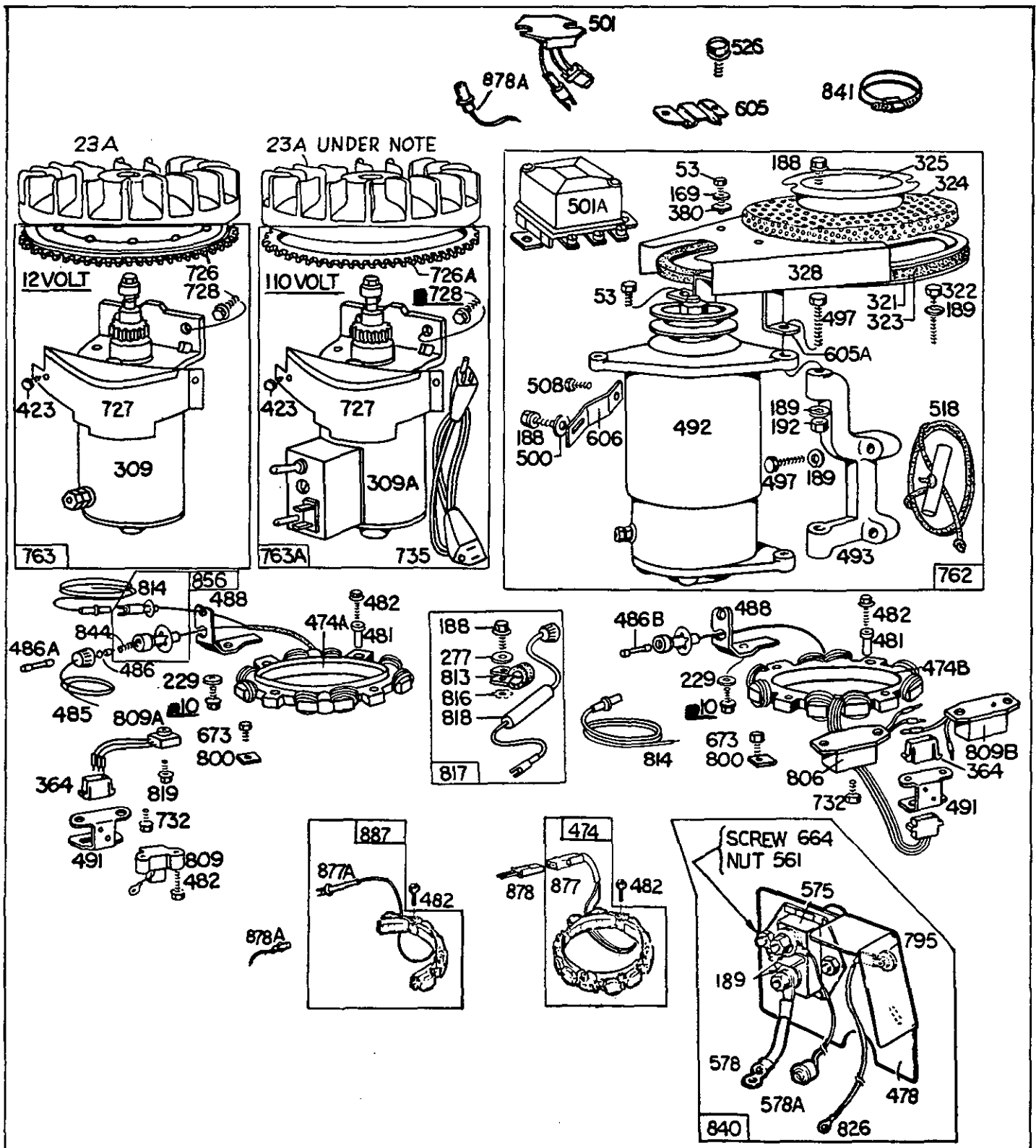
Assemblies include all parts shown in frames.



1907-2-89

Assemblies include all parts shown in frames.

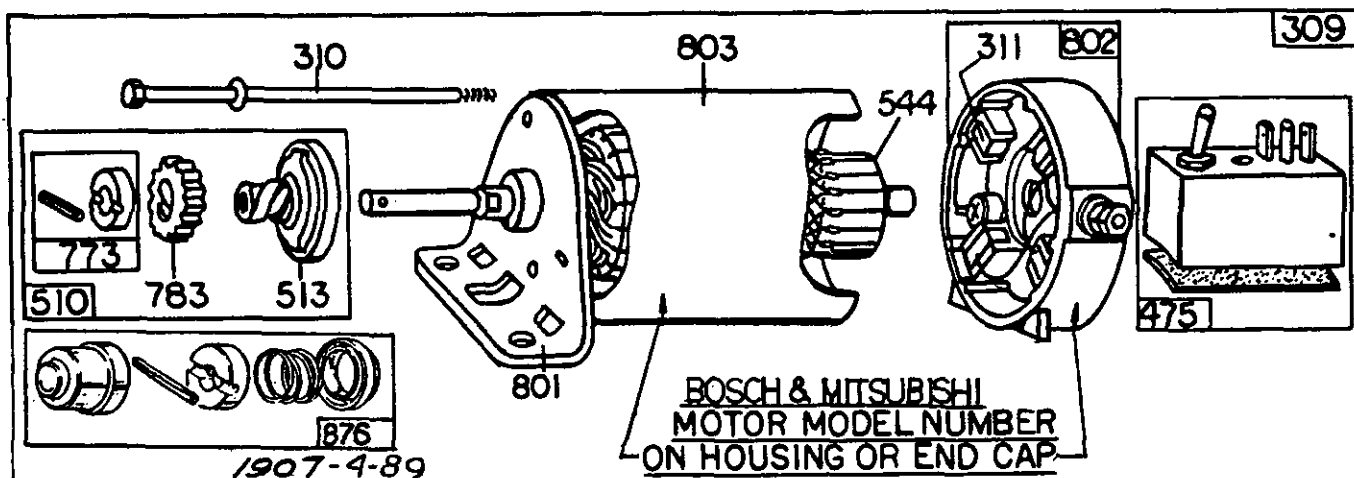
# 190700 to 190799



1907-3-89

Assemblies include all parts shown in frames.

190700 to 190799



Subject	Ref. No. 309	Ref. No. 510	Ref. No. 801	Ref. No. 544	Ref. No. 803	Ref. No. 802	Ref. No. 311	Ref. No. 310	Ref. No. 475
Starter Motor Mfr. and Motor Model Number	Motor and Drive Assy.	Drive Assembly	End Cap Assy. Drive	Armature Assembly	Housing Assembly	End Cap Assy. Commutator*	Brush Assembly	Thru Bolt Assembly	Rectifier Assembly
American Bosch									
12V SMH 12-A11	390307	390443	390444	390446	390447	390448	390449	390450	
12V SME 12-A8	299330	390094	390092	390086	390097	390089		390080	
12V 01965-23-MO-30-SM	390838	391461**	390444	391607	390447	390448	390449	390450	
110V SME 110-C3	299329†	390094	390091	390088	390096	390098	390081	390080	390099
110V SME 110-C6	299556	390094	390092	390088	390095	390098	390081	390080	390084
110V SME 110-C8	299764	390094	390093	390088	390096	390098	390081	390080	390099
Mitsubishi									
12V MMO-5ML	390307	299963	390454	390456	390452	390455	390990	299962	
12V MMO-4FL	299330	299963	390454	390457	390453	390455	390990	299962	
12V MOOIT02271	390838	391461**	391585	391584	390452	390455	390990	93771	
110V J282188	299329	299963	299964	299968	299967	299965		299962	299966
Briggs & Stratton									
Housing Length									
12V 3-1/16"	390838	391461**	392061	390837	390849	390846	391705	391706	
12V 3-1/16"	392749	391461**	392061	392747	392744	390846	391705	391706	

\* Includes Brush Set

\*\* Includes #391135 Clutch Assembly (Ref. No. 513)  
 #280104 Gear (Ref. No. 783)  
 #391462 Retainer and Pin (Ref. No. 773)  
 # 93754 Roll Pin (Ref. No. 896)

† Uses #392247 Switch Shield Assembly

# 190700 to 190799

## REF. NO. 1 - 23A

REF. NO.	PART NO.	DESCRIPTION	REF. NO.	PART NO.	DESCRIPTION	REF. NO.	PART NO.	DESCRIPTION
1	392004	Cylinder Assembly			22963 Washer (2)			0144, 0145, 0626,
2	295962	Bushing-Cylinder			Used on type Nos.			0628, 0632, 0633,
		<b>Note:</b> Requires special tools for installation.			0707, 5156.			0641, 0642, 0643,
3	294606	Seal-Oil			Screw-Cylinder Head			0663, 0666, 0677,
5	211778	Head-Cylinder <del>212286</del>	14	93211	(2-21/32" long)			0737, 0738, 0739,
7	270430	Gasket-Cylinder <del>212286</del> Raised.			<b>Note:</b> 93583 Stud-Cylinder Head (1)			0740, 0745, 0746,
8	299848	Breather Assembly			22963 Washer (1)			0747, 0774, 0775,
		<b>Note:</b> 391406 Breather Assy.			Used on type Nos.			0782, 0787, 0788,
		Used on type Nos.			0129, 0138, 0518,			0795, 0823, 0836,
		5015, 5016, 5017,			0646, 0647, 0711,			0837, 0854, 0856,
		5018, 5019, 5025,			0732, 0733, 0760,			0872, 0876, 0877,
		5026, 5027, 5028,			0790, 0805, 0806,			0885, 0886, 0895,
		5125, 5126, 5127,			0820, 0821, 0822,			0902, 0903, 0906,
		5128, 5129, 5130,			0834, 0835, 0860,			0913, 5019, 5028,
		5131, 5132, 5133,			0861, 0864, 0883,			5129, 5130.
		5134, 5135, 5136,			0898, 0899, 5015,			261084 Crankshaft
		5137, 5138, 5139,			5018, 5019, 5026,			Used on type Nos.
		5140, 5141, 5142,			5027, 5028, 5125,			0127, 0128, 0129,
		5143, 5144, 5145,			5126, 5129, 5130,			0130, 0133, 0138,
		5146, 5147, 5148,			5131, 5132, 5133,			0518, 0644, 0645,
		5149, 5150, 5151,			5140, 5141, 5148.			0646, 0647, 0690,
		5152, 5153, 5154,			93583 Stud, Cylinder			0691, 0711, 0731,
		5155, 5156.			Head (2)			0732, 0733, 0734,
9	27803	Gasket-Valve Cover			22963 Washer (2)			0760, 0818, 0819,
10	93536	Screw-Sem Rod. #93394			Used on type Nos.			0820, 0821, 0824,
11	280005	Tube-Breather			0789, 0919, 0920.			0840, 0841, 0842,
12	27750	Gasket-Crankcase	15	91084	Plug-Oil Drain			0862, 0863, 0873,
		Cover-1/64" thick			<b>Note:</b> 93418 Plug-Oil Drain			0874, 0889, 0890,
		27876 Gasket-Crankcase			(Hex. Socket)			0900, 0901, 0904,
		Cover-.005" thick			Used on type Nos.			5018, 5027, 5125,
		27877 Gasket-Crankcase			0813, 0814, 0829,			5126, 5133, 5136,
		Cover-.009" thick			0830.			5137, 5138, 5145,
13	93113	Screw-Cylinder Head			93448 Plug-Oil Drain			5147, 5149, 5150,
		(2-5/16" long)			(Hex. Socket)			5155.
		<b>Note:</b> 93583 Stud-Cylinder			Used on type Nos.			261226 Crankshaft
		Head (1)			0141, 0142, 0149,			Used on type Nos.
		22963 Washer (1)			0150, 0179, 0626,			0630, 0785, 0786,
		Used on type Nos.			0648, 0654, 0669,			0797, 0798, 0810,
		0670, 0672, 0694,			0671, 0681, 0685,			0811, 0859, 0866,
		0695, 0753, 0764,			0688, 0716, 0717,			0867, 0914, 0915.
		0789, 0799, 0800,			0718, 0722, 0750,			18 392548 Sump-Oil
		0805, 0806, 0822,			0751, 0752, 0754,			<b>Note:</b> 296594 Sump-Oil
		0834, 0835, 0843,			0776, 0777, 0803,			Used on type No.
		0860, 0861, 0864,			0804, 0892, 0893,			0891.
		0883, 0898, 0899,			0917.			390479 Sump-Oil
		0901, 0904, 0914,			16 261038 Crankshaft			Used on type Nos.
		0915, 0919, 0920,			<b>Note:</b> 261082 Crankshaft			0803, 0804, 0892,
		5015, 5018, 5019,			Used on type Nos.			0893, 0917.
		5026, 5027, 5028,			0149, 0150, 0163,			19 295963 Bushing-Oil Sump
		5125, 5126, 5129,			0179, 0648, 0654,			<b>Note:</b> Requires special tools for installation.
		5130, 5131, 5132,			0655, 0669, 0671,			20 298423 Seal-Oil
		5133, 5140, 5141.			0681, 0688.			21 66768 Plug-Oil Filler
		93583 Stud-Cylinder			261083 Crankshaft			22 93585 Screw-Sump Mtg. Serr
		Head (2)			Used on type Nos.			23 298260 Flywheel-Magneto
					0122, 0125, 0140,			23A 391983 Flywheel and Ring
					0141, 0142, 0143,			Gear Assy. -Magneto

◆ Included in Gasket Set- Part No. 299577.

REF. NO.	PART NO.	DESCRIPTION	REF. NO.	PART NO.	DESCRIPTION	REF. NO.	PART NO.	DESCRIPTION
		For use on engines <i>WITH ALTERNATOR</i> . (Includes aluminum ring gear). For use only with starter motors with Plastic Drive Gear.		<b>295841</b>	Pin Assy.—Piston— .005" O.S.			Pulley. When not available, order No. <b>390391</b> .
		<b>Note:</b> <b>392034</b> Flywheel and Ring Gear Assy.—Magneto	<b>29</b>	<b>390402</b>	Rod Assy.—Connecting	<b>56</b>	<b>295871</b>	<b>Note:</b> Pulley—Rewind Starter includes 63" Rope; if longer Rope is required, order Rope No. <b>66894</b> and cut to required length.
		For use only on electric starter engines <i>WITHOUT ALTERNATOR</i> (Includes aluminum ring gear). For use only with starter motors with Plastic Drive Gear.	<b>31</b>	<b>222114</b>	<b>Note:</b> For Connecting Rod with .020" undersize Crankpin Bearing—order No. <b>390773</b> . Lock—Conn. Rod Screw	<b>57</b>	<b>294303</b>	Spring—Rewind Starter
		<b>390180</b> Flywheel—Magneto	<b>32</b>	<b>92659</b>	Screw—Conn. Rod	<b>58</b>	<b>66884</b>	Rope—Rewind Starter—63" long for use with Plastic Pulley; if longer Rope is needed, order No. <b>66894</b> and cut to required length.
		For use on engines <i>WITH ALTERNATOR</i> —machined to accept <i>STEEL</i> ring gear (not included).	<b>33</b>	<b>390419</b>	Valve—Exhaust			<b>Note:</b> <b>66564</b> Rope—Rewind Starter—63" long for use with Steel Pulley; if longer Rope is needed, order No. <b>66574</b> and cut to required length.
		<b>299375</b> Flywheel—Magneto	<b>34</b>	<b>261055</b>	Valve—Intake			<b>66864</b> Rope—Rewind Starter
		For use on engines <i>WITHOUT ALTERNATOR</i> —machined to accept <i>STEEL</i> ring gear (not included).	<b>35</b>	<b>65906</b>	Spring—Intake Valve			Used on type Nos. 0826, 0857.
		<b>299375</b> Flywheel—Magneto	<b>36</b>	<b>26828</b>	Spring—Exhaust Valve	<b>59</b>	<b>230228</b>	Pin—Starter Grip
		For use on engines <i>WITHOUT ALTERNATOR</i> —machined to accept <i>STEEL</i> ring gear (not included).	<b>37</b>	<b>222475</b>	Guard—Flywheel	<b>60</b>	<b>66728</b>	Grip—Starter Rope
		<b>24</b> <b>61760</b> Key—Flywheel		<b>Note:</b> <b>222402</b> Guard—Flywheel	<b>Uses:</b>		<b>Note:</b> Grip used on type Nos. 0731, 0732, 0818, 0821 must be ordered from the equipment manufacturer. (MTD Part Number 11263)	
		<b>25</b> <b>391673</b> Piston Assy.—Std.	<b>38 1/2"</b>	<b>L.93777</b>	<b>22963</b> Spacer—Mtg. (6)	<b>61</b>	<b>68848</b>	Bumper—Starter Pulley
		<b>391674</b> Piston Assembly— .010" O.S.	<b>40</b>	<b>221596</b>	<b>93535</b> Screw—Sem (2) Used on type Nos. 5128, 5129.	<b>62</b>	<b>93254</b>	Screw—Pulley Bumper Mounting
		<b>391675</b> Piston Assembly— .020" O.S.	<b>41</b>	<b>292260</b>	Screw—Sem Also <b>93535</b>	<b>63</b>	<b>260414</b>	Spring—Ratchet
		<b>391676</b> Piston Assembly— .030" O.S.	<b>42</b>	<b>93630</b>	Retainer—Intake Valve	<b>64</b>	<b>230543</b>	Adapter—Ratchet
		<b>PISTON RING SETS:</b>	<b>45</b>	<b>260933</b>	Rotocoil—Exhaust Valve	<b>65</b>	<b>93067</b>	Screw—Stamped Steel Rewind Starter Housing Mounting
		<b>Note:</b> For Chrome Piston Ring Set—Standard Size—order No. <b>299743</b> .	<b>46</b>	<b>211689</b>	Retainer—Exhaust Valve Rotocoil (2)			<b>Note:</b> <b>93572</b> Screw—Cast Rewind Starter Housing Mtg. Sem
		<b>26</b> <b>391669</b> Ring Set—Piston—Std.	<b>52</b>	<b>270538</b>	Tappet—Valve	<b>66</b>	<b>298798</b>	Clutch Assembly—Rewind Starter
		<b>391670</b> Ring Set—Piston— .010" O.S.		<b>Note:</b> <b>270824</b> Gasket—Carburetor Mounting	Gear—Cam	<b>66A</b>	<b>393117</b>	Clutch Assy.—Rewind Starter
		<b>391671</b> Ring Set—Piston— .020" O.S.		Used on type Nos. 0851, 0852, 0865, 0884, 5015, 5016, 5017, 5018, 5019, 5025, 5026, 5027, 5028, 5125, 5126, 5127, 5128, 5129, 5130, 5131, 5132, 5133, 5134, 5135, 5136, 5137, 5138, 5139, 5140, 5141, 5142, 5143, 5144, 5145, 5146, 5147, 5148, 5149, 5150, 5151, 5152, 5153.	Gasket—Carburetor Mounting			For engines with Ring Gear on Flywheel equipped for or with Electric Motor.
		<b>391672</b> Ring Set—Piston— .030" O.S.	<b>53</b>	<b>93357</b>	Mounting	<b>67</b>	<b>212132</b>	Housing—Rewind Starter Clutch
		<b>27</b> <b>68546</b> Lock—Piston Pin	<b>55</b>	<b>393576</b>	Carburetor Mounting			
		<b>28</b> <b>295840</b> Pin Assy.—Piston—Std.		<b>Note:</b> <b>295272</b> Housing—Rewind Starter (Casting) Used with Metal				

♦ Included in Gasket Set—Part No. 299577.

## 190700 to 190799

REF. NO. 67A - 141

REF. NO.	PART NO.	DESCRIPTION	REF. NO.	PART NO.	DESCRIPTION	REF. NO.	PART NO.	DESCRIPTION
67A	261453	Housing-5/8-18 thread For engines with Ring Gear on Flywheel equipped for or with Electric Motor.			0806, 0808, 0809, 0813, 0814, 0819, 0820, 0824, 0830, 0834, 0836, 0837, 0839, 0841, 0843, 0849, 0856, 0861, 0863, 0871, 0883, 0887, 5026, 5027, 5028, 5126, 5127, 5130, 5131, 5132, 5135, 5137, 5138, 5141, 5142, 5143, 5145, 5148, 5149.			0807, 0808, 0848, 0850, 0855, 0870, 0875, 0880, 0905, 0906, 0907, 0910, 0925, 0926, 5016, 5134.
68	63770	Ball-Clutch						392152 Carb. Assy. (Choke-A-Matic) Used on type No. 5147.
69	66718	Washer-Starter Clutch, Thrust						
70	298799	Ratchet-Rewind Starter Clutch				126	299851	Body Assy. -Lower Carburetor
71	221653	Washer-Retainer				127	‡221997	Plug-Welch
	Note:	222277 Cover-Housing Used on type Nos. 0526, 0715, 0733, 0734, 0738, 0739, 0742, 0744, 0746, 0747, 0752, 0754, 0758, 0760, 0763, 0772, 0775, 0777, 0779, 0780, 0790, 0793, 0796, 0804, 0806, 0808, 0809, 0813, 0814, 0819, 0820, 0824, 0830, 0834, 0836, 0837, 0839, 0841, 0843, 0849, 0856, 0861, 0863, 0871, 0883, 0887, 0889, 0893, 5026, 5027, 5028, 5126, 5127, 5130, 5131, 5132, 5135, 5137, 5138, 5141, 5142, 5143, 5145, 5148, 5149.	75	220865	Washer-Spring	128	211682	Venturi-Carburetor
			76	68238	Washer-Ratchet Sealing	130	221986	Valve-Throttle
			78	93808	Screw-Sem	131	391512	Shaft and Lever-Throttle
			81	222263	Lock-Muffler Screw	132	211712	Stop-Throttle
			81A	222265	Lock-Muffler Screw	133	299707	Float-Carburetor
			93	23108	Bushing-Throttle Shaft	134	‡299096	Valve-Fuel Inlet
			94	‡292681	Valve Assembly-Carburetor Idle	136	221995	Bowl-Float
			95	93499	Screw-Throttle and Choke Valve Mtg. Sem	137	‡270511	Gasket-Float Bowl
			98	91920	Screw-Machine, Fill. Hd. 8-32 x 5/8"	138	‡222014	Washer-Float Bowl
			99	26157	Spring-Throttle Adjustment	141	390684	Shaft and Lever Choke
			101	93043	Pin-Throttle Stop		Note:	299746 Shaft and Lever-Choke-A-Matic Used on type Nos. 0015 thru 0190 except those listed under part No. 299647.
			104	‡230896	Pin-Float Hinge			299647 Shaft and Lever-Manual Choke
			108	222010	Valve-Choke			Uses:
			118	‡391233	Valve-Needle			23270 Screw-Choke Lever
			121	299852	Carburetor Overhaul Kit			26229 Spring-Choke Lever
			123	93357	Screw-Carburetor Mounting			220899 Washer-Choke Lever Used on type Nos. 0016, 0110, 0111, 0112, 0113, 0114, 0115, 0122, 0153, 0154, 0155, 0157, 0168, 0173, 0180, 0181, 0189, 0516, 0610, 0611, 0612, 0613, 0614, 0615, 0634, 0635, 0636, 0637, 0652, 0653, 0682, 0689, 0704, 0719, 0725, 0757, 0758, 0771, 0772, 0779, 0791, 0792, 0807, 0808, 0848, 0850, 0855, 0870, 0875, 0880, 0905,
			125	390811	Carburetor Assembly (Choke-A-Matic) 390411 Carb. Assy. (Manual Choke) Used on type Nos. 0016, 0110, 0111, 0112, 0113, 0114, 0115, 0122, 0153, 0154, 0155, 0157, 0168, 0173, 0180, 0181, 0189, 0516, 0610, 0611, 0612, 0613, 0614, 0615, 0634, 0635, 0636, 0637, 0652, 0653, 0682, 0689, 0704, 0719, 0725, 0757, 0758, 0771, 0772, 0779, 0791, 0792.			
73	221796	Screen-Rewind Starter						
	Note:	222302 Screen-Blower Housing Uses: 93572 Screw (8) 231020 Spacer (4) Used on type Nos. 0861, 0883.						
74	93042	Screw-Sem						
	Note:	93805 Screw-Sem (4) Retain Screen Hole Cover on type Nos. 0526, 0715, 0733, 0734, 0738, 0739, 0742, 0744, 0746, 0747, 0752, 0754, 0758, 0760, 0763, 0772, 0775, 0777, 0779, 0780, 0790, 0793, 0796, 0804,						

‡ Included in Carburetor Overhaul Kit-Part No. 299852.



REF. NO.	PART NO.	DESCRIPTION	REF. NO.	PART NO.	DESCRIPTION	REF. NO.	PART NO.	DESCRIPTION
		0906, 0907, 0910, 0925, 0926, 5016, 5134.			0156, 0670, 0672, 0694, 0695.			0747, 0750, 0752, 0753, 0754, 0764, 0771, 0772, 0774, 0775, 0776, 0777, 0785, 0786, 0797, 0798, 0799, 0800, 0807, 0808, 0810, 0811, 0813, 0814, 0815, 0816, 0817, 0829, 0830, 0833, 0834, 0835, 0837, 0843, 0854, 0856, 0859, 0862, 0863, 0866, 0867, 0868, 0872, 0876, 0878, 0887, 0888, 0891, 0894, 0895, 5015, 5026, 5127, 5128, 5131, 5132, 5136, 5137, 5138, 5139, 5142, 5143, 5144, 5149, 5151, 5152.
142	‡299740	Nozzle—Carburetor	<b>188</b>	<b>93535</b>	Screw—Sem $\frac{3}{4}$ " L.			
147	‡230932	Screw—Nozzle		<b>Note:</b>	<b>93623</b> Screw			
158	27590	Filter—Carb. Drain			<b>90366</b> Washer—Lock			
159	211954	Retainer—Carburetor Drain Filter (Die Cast)			Used to mount Screen to Pulley on type No. 0719.			
	<b>Note:</b>	<b>220521</b> Retainer— Carburetor Drain Filter (Steel)			<b>93659</b> Screw—Tank			
169	90832	Washer—Lock— 1/4" x 3/32" x 5/64"			<b>90366</b> Washer—Lock Bracket to Cylinder Mounting			
180	390225	Tank Assy.—Fuel (3 Quart)			Used on type Nos. 0129, 0130, 0133, 0138.			
	<b>Note:</b>	<b>290816</b> Tank Assy.— Fuel (4 Quart)			<b>93661</b> Screw—Diode Mounting			
	<b>Uses:</b>	<b>393169</b> Strainer Assy.—Fuel Used on type No. 0156.	189	90366	Washer—Lock— 5/16" x 1/8" x 1/16"			
181	392300	Cap—Fuel Tank	192	91397	Nut—Hex. 5/16–18			
	<b>Note:</b>	<b>69221</b> Cap—Fuel Tank Used on type No. 0156.	198	293934	Valve—Fuel Shut-Off			
182	222813	Bracket—Fuel Tank, R. H.	199	390303	Connector—Fuel Pipe			
182A	222112	Bracket—Fuel Tank, L. H.	200	221760	Guide—Air			
	<b>Note:</b>	<b>221935</b> Bracket—Fuel Tank Used on type No. 0156.	201	260971	Link—Governor			
		<b>222194</b> Bracket—Fuel Tank Used on type Nos. 0518, 0644, 0645, 0646, 0647, 0690, 0691, 0711, 0760, 0818, 0819, 0820, 0821, 0824, 0842, 5018.	206	230149	Nut—Gov. Control Rod			
183	390406	Strap Assy.—Fuel Tank	207	26855	Spring—Control Rod			
	<b>Note:</b>	<b>291367</b> Strap Assy.— Tank (2) Used on type No. 0156.	208	230841	Rod—Gov. Control			
183A	390405	Strap Assy.—Fuel Tank	209		<b>Governor Springs below used after Code No. 75110911.</b>			<b>Governor Springs below used before Code No. 75111011.</b>
184	93803	Screw—Hex. Hd.		<b>261306</b>	Spring—Governor			<b>261129</b> Spring—Governor
185	90970	Nut—Square, 1/4-20		<b>Note:</b>	<b>260871</b> Spring—Gov. Used on type Nos. 0627, 0628, 0638, 0641, 0642, 0643, 0644, 0645, 0677, 0678, 0680, 0690, 0691, 0696, 0703, 0707, 0729, 0737, 0738, 0739, 0740, 0745, 0746, 0748, 0795, 0823, 0836, 0885, 0886, 5019.		<b>Note:</b>	
186	67218	Connector—Fuel Pipe			<b>261129</b> Spring—Gov. Used on type Nos. 0629, 0630, 0648, 0654, 0655, 0661, 0662, 0669, 0670, 0671, 0672, 0673, 0681, 0688, 0692, 0693, 0694, 0695, 0726, 0727, 0728, 0741, 0742,			<b>260695</b> Spring Gov. Used on type Nos. 0182, 0183. <b>260723</b> Spring—Gov. Used on type Nos. 0010 thru 0190 except as listed under Note; also used on type Nos. 0648, 0654, 0655, 0661, 0662, 0669, 0670, 0671, 0672, 0673, 0681, 0688, 0692, 0693, 0694, 0695, 0726, 0727, 0728, 0741, 0742, 0750, 0752, 0753, 0754, 0764, 0771, 0772, 0776, 0777, 0799, 0800, 0807, 0808, 0813, 0814, 0815, 0816, 0817, 0829, 0830, 0833, 0834, 0835, 0843, 0868, 0872,
187	296004	Pipe—Fuel						
	<b>Note:</b>	<b>299146</b> Pipe—Fuel Used on type Nos.						

‡ Included in Carburetor Overhaul  
Kit—Part No. 299852.

## 190700 to 190799

REF. NO. 209 - 300

REF. NO.	PART NO.	DESCRIPTION	REF. NO.	PART NO.	DESCRIPTION	REF. NO.	PART NO.	DESCRIPTION					
		0876, 0878, 0887, 0888, 0894, 0895, 5015, 5026, 5127, 5128, 5131, 5132, 5139, 5143, 5144, 5151, 5152. <b>260871</b> Spring-Gov. Used on type Nos. 0160, 0167, 0172, 0175, 0178, 0627, 0628, 0638, 0641, 0642, 0643, 0644, 0645, 0677, 0678, 0680, 0690, 0691, 0696, 0703, 0707, 0729, 0737, 0738, 0739, 0740, 0745, 0746, 0748, 0795, 0823, 0836, 0885, 0886, 0923, 0927, 0928, 5019, 5155. <b>260931</b> Spring-Gov. Used on type Nos. 0134, 0135, 0136, 0149, 0150, 0163, 0179, 0629, 0630, 0747, 0774, 0775, 0785, 0786, 0797, 0798, 0810, 0811, 0837, 0854, 0856, 0859, 0862, 0863, 0866, 0867, 0891, 5136, 5137, 5138, 5142, 5149. <b>261130</b> Spring-Gov. Used on type Nos. 0649, 0659, 0660, 0674, 0679, 0700, 0718, 0720, 0751, 0759, 0767, 0773. <b>261306</b> Spring-Gov. Used on type Nos. 0905, 0906, 0907, 0908, 0910, 0912, 0913, 0914, 0915, 0916, 0917, 0918, 0919, 0920, 0921, 0922, 0924, 0925, 0926, 5025, 5154, 5256.	<b>219</b>	<b>392718</b>	Oil Slinger, Gov. Gear and Bracket Assembly Used after Code No. 75110911.	<b>225</b>	<b>231058</b>	Crank-Governor (1/4" Dia.) Used after Code No. 75110911. <b>Note:</b> <b>231071</b> Crank-Gov. (3/16" Dia.) Used before Code No. 75111011.					
				<b>298614</b>	Oil Slinger, Gov. Gear and Bracket Assembly Used before Code No. 75111011.	<b>227</b>	<b>391733</b>	Lever Assy. -Governor For 1/4" Dia. Crank Used after Code No. 75110911. <b>Note:</b> <b>298303</b> Lever Assy. - Governor For 3/16" Dia. Crank Used before Code No. 75111011.					
			<b>222</b>	<b>390662</b>	Plate-Gov. Control <b>Note:</b> <b>390661</b> Plate-Gov. Control Used on type Nos. 0516, 0610, 0611, 0612, 0613, 0615, 0634, 0635, 0637, 0652, 0653, 0682, 0704, 0719, 0725, 0757, 0758, 0771, 0772, 0779, 0791, 0792, 0807, 0808, 0848, 0850, 0855, 0870, 0875, 0880, 0891, 0905, 0906, 0907, 0910, 0925, 0926, 5016, 5134.			<b>229</b>	<b>220680</b>	Washer-Flat			
									<b>230</b>	<b>222450</b>	Washer-Governor Lever (1/4" I. D.) <b>Note:</b> <b>221559</b> Washer-Gov. Lever (3/16" I. D.)		
									<b>231</b>	<b>93064</b>	Screw-Sem		
									<b>232</b>	<b>260584</b>	Spring-Gov. Link		
									<b>265</b>	<b>221535</b>	Clamp-Casing		
									<b>267</b>	<b>93612</b>	Screw-Clamp Mtg.		
									<b>268</b>	<b>65616</b>	Casing-Control Wire- 72" long <b>Note:</b> If longer casing is required, specify length in inches; if shorter casing is needed, order No. <b>65616</b> and cut to required length.		
			<b>222A</b>	<b>298997</b>	Plate-Gov. Control Used on type Nos. 0010 thru 0190 except those listed under part No. <b>298998</b> . <b>Note:</b> <b>298998</b> Plate-Gov. Control Used on type Nos. 0015, 0017, 0120, 0121, 0124, 0125, 0126, 0127, 0128, 0129, 0130, 0131, 0132, 0133, 0134, 0135, 0136, 0137, 0138, 0139, 0140, 0141, 0142, 0143, 0144, 0145, 0146, 0147, 0148, 0149, 0150, 0151, 0152, 0156, 0158, 0159, 0160, 0161, 0162, 0163, 0164, 0165, 0166, 0167, 0169, 0170, 0171, 0172, 0174, 0175, 0176, 0177, 0178, 0179, 0182, 0183, 0184, 0185, 0186, 0187, 0188, 0190.						<b>269</b>	<b>26633</b>	Wire-Control- 78" long <b>Note:</b> If longer wire is required, specify length in inches; if shorter wire is needed, order No. <b>26633</b> and cut to required length.
<b>216</b>	<b>261117</b>	Link-Choke <b>Note:</b> Used on type Nos. 0515 and up with Choke-A-Matic.							<b>270</b>	<b>63426</b>	Locknut-Control Wire Casing		
<b>216A</b>	<b>260979</b>	Link-Choke <b>Note:</b> Used on type Nos. 0015 thru 0190 with Choke-A-Matic.							<b>271</b>	<b>290568</b>	Lever Assy. -Control		
									<b>277</b>	<b>22776</b>	Washer-Flat <b>Note:</b> <b>22358</b> Washer-Flat Used on type Nos. 0121, 0136, 0159.		
			<b>224</b>	<b>93067</b>	Screw-Sem				<b>284</b>	<b>93804</b>	Screw-Clamp Mtg.		
									<b>300</b>	<b>390249</b>	Muffler-Exhaust <b>Note:</b> <b>390578</b> Muffler-Exh. Used on type Nos. 0129, 0138, 0518, 0646, 0647, 0711.		

REF. NO.	PART NO.	DESCRIPTION	REF. NO.	PART NO.	DESCRIPTION	REF. NO.	PART NO.	DESCRIPTION		
<b>300A</b>	<b>391313</b>	0716, 0732, 0733, 0754, 0760, 0774, 0775, 0784, 0810, 0811, 0826, 0836, 0849, 0859.	<b>300B</b>	<b>392101</b>	Muffler—Exhaust (Super Lo-Tone)			Used on type Nos. 5025, 5026, 5027, 5028, 5126, 5127, 5130, 5131, 5133, 5135, 5137, 5138, 5139, 5141, 5142, 5143, 5145, 5146, 5147, 5148, 5149, 5152, 5153, 5154.		
		<b>Note:</b> <b>391237</b> Guard— Muffler <b>Uses:</b> <b>93606</b> Screw—Deflec- tor and Guard to Muffler <b>222379</b> Retainer— Guard Used on type Nos. 0803, 0804. <b>299629</b> Muffler—Exh. Used on type Nos. 0122, 0134, 0147, 0148, 0151, 0160, 0161, 0162, 0172, 0175, 0176, 0178, 0182, 0183, 0184, 0185, 0649, 0656, 0657, 0659, 0660, 0674, 0679, 0680, 0684, 0699, 0700, 0713, 0714, 0718, 0720, 0721, 0729, 0743, 0744, 0748, 0749, 0773, 0776, 0777, 0780. <b>390147</b> Muffler—Exh. Used on type Nos. 0134, 0135, 0136, 0629, 0630, 0661, 0662, 0693, 0703, 0707, 0785, 0786, 0797, 0798. <b>390438</b> Muffler—Exh. Used on type Nos. 0121, 0667, 0675. <b>390749</b> Muffler—Exh. Used on type Nos. 0143, 0144, 0145, 0641, 0642, 0643, 0738, 0739, 0745, 0746, 0747, 0760. <b>390755</b> Muffler—Exh. Used on type Nos. 0668, 0854. <b>391370</b> Muffler— Exhaust Used on type Nos. 0842, 5125, 5126, 5129, 5130, 5133, 5136, 5137, 5138.	<b>300C</b>	<b>393010</b>	Muffler—Exhaust (Round Lo-Tone)					
		<b>301</b>	<b>91245</b>	Nipple—Exhaust						
		<b>302</b>	<b>261409</b>	Locknut—Muffler and Elbow						
		<b>303</b>	<b>91205</b>	Elbow—Muffler—90°						
			<b>Note:</b>	<b>91219</b> Elbow—Muffler 45° Street Used on type Nos. 0131, 0132, 0141, 0142, 0168, 0188, 0873, 0874, 0905. <b>91464</b> Elbow—Muffler— 90° Street Used on type Nos. 0167, 0628, 0638, 0677, 0696, 0737, 0740, 0750, 0751, 0752, 0795, 0810, 0823, 0859, 5134.						
			<b>304</b>	<b>299853</b>	Housing—Blower					
			<b>Note:</b>	<b>299392</b> Housing— Blower Used on engines with electric starters (Ref. No. 309) except see other numbers in this group for type Nos. 0808, 0910, 0912, 0913, 0915, 0916, 0917, 0920, 0921, 0922, 0923, 0928, 5026, 5027, 5028, 5126, 5127, 5130, 5131, 5133, 5135, 5137, 5138, 5139, 5141, 5142, 5143, 5145, 5146, 5147, 5148, 5149, 5152. <b>299861</b> Housing— Blower Used on type Nos. 0113, 0127, 0128, 0156, 0173, 0613, 0689, 0719. <b>391340</b> Housing— Blower Used on type No. 0808. <b>391342</b> Housing— Blower Used on type No. 0807. <b>391379</b> Housing— Blower						
			<b>305</b>	<b>93158</b>	Screw—Blower Housing Mtg. Sem					
			<b>Note:</b>	<b>93294</b> Screw—Sem Used to mount Blower Housing to Cylinder Head on type Nos. 0173, 0719.						
			<b>306</b>	<b>222830</b>	Shield—Cylinder					
			<b>307</b>	<b>93163</b>	Screw—Cylinder Shield Mtg. Sem					
			<b>308</b>	<b>221901</b>	Cover—Cylinder Head					
			<b>Note:</b>	<b>222351</b> Cover— Cylinder Head Used on type Nos. 0851, 0852, 0865, 0884, 5015, 5016, 5017, 5018, 5019, 5025, 5026, 5027, 5028, 5125, 5126, 5127, 5128, 5129, 5130, 5131, 5133, 5134, 5135, 5136, 5137, 5138, 5139, 5140, 5141, 5142, 5143, 5144, 5145, 5146, 5147, 5148, 5149, 5150, 5151, 5152, 5153.						
			<b>309</b>		Motor—Starting (12 Volt) See Chart for Replace- ment Parts for Starting Motors on Page 4					
			<b>309A</b>		Motor—Starting (110 Volt)					

## 190700 to 190799

REF. NO. 309A - 501

REF. NO.	PART NO.	DESCRIPTION	REF. NO.	PART NO.	DESCRIPTION	REF. NO.	PART NO.	DESCRIPTION
		See Chart for Replacement Parts for Starting Motors on Page 4	356	299500	Wire—Ground			5142, 5143, 5147, 5149, 5152.
321	210899	Pulley—Starter Drive		<b>Note:</b>	391255 Wire—Jumper	474B		Stator—Alternator (Order No. 391735)
322	90931	Screw—Cap, Hex. Hd.—1/4-20 x 2-1/4"			Used in addition to No. 299500 Ground Wire on type Nos. 0515, 0516, 0517, 0525, 0526, 0667, 0730, 0740, 0743, 0755, 0759, 0766, 0767, 0787, 0788, 0797, 0798, 0810, 0811, 0859, 0866, 0867, 0873, 0874, 0875, 0877, 0882, 0902, 0903, 0906, 0907, 0914, 0915, 0919, 0920, 0925, 0927, 0928, 5015, 5016, 5017, 5018, 5019, 5025, 5026, 5027, 5028.	<b>Note:</b>	Used on type Nos. 0115, 0121, 0122, 0130, 0132, 0136, 0142, 0144, 0145, 0146, 0148, 0150, 0151, 0155, 0158, 0159, 0160, 0163, 0164, 0166, 0167, 0168, 0169, 0170, 0176, 0177, 0178, 0181, 0182, 0185, 0190, 0681.	
323	68588	Belt—Vee				478	222751	Panel—Instrument
324	221067	Screen—Rotating				481	230976	Bushing—Stator (Loose)
	<b>Note:</b>	222302 Screen—Blower Housing				482	93621	Screw—Stator Mtg.
	<b>Uses:</b>	93572 Screw (8)				485	390888	Knob Assy.—Fuse
		231020 Spacer (4)				486	391507	Diode—Alternator
		93917 Lockwasher (4)				486A	67125	Fuse 7-1/2 Amp.
		Used on type Nos. 0861, 0883, 5149.				486B	67345	Fuse—15 Amp.
325	299307	Pulley—Rope Starter (with Screen)						Used on type Nos. 0115, 0121, 0122, 0130, 0136, 0142, 0145, 0146, 0151, 0155, 0158, 0159, 0162, 0167, 0169, 0177.
328	221447	Guard—Belt	358	299577	Gasket Set		<b>Note:</b>	67125 Fuse—7-1/2 Amp.
332	92284	Nut—Flywheel	362	291630	Shield—Spark Plug			Used on type Nos. 0132, 0148, 0150, 0164, 0166, 0168, 0170, 0176, 0178, 0181, 0182, 0185, 0190, 0681.
333	298968	Armature Assembly	363	19203	Puller—Flywheel (2-13/16" hole spacing) (Optional Accessory)			
334	93381	Screw—Armature Mounting Sem		<b>Note:</b>	19165 Puller—Flywheel (2" hole spacing)			
337	298809	Plug—Spark (1-1/2" high—37-42 M. M.)	364	280081	Socket—Regulator and Rectifier Lead Wire			
	<b>Note:</b>	Spark Plugs use Ignition Cable Terminal No. 221798.	372	220477	Clamp—Condenser			
		29693 Plug—Spark (2" high—51 M. M.)	373	92987	Nut—Hex.			
		293918 Plug—Spark (Resistor Type)	375	294628	Breaker Points and Condenser Set			
340	26018	Spring—Breaker Arm		<b>Note:</b>	299061 Ignition Kit			
341	93381	Screw—Breaker Arm Mounting Sem			Includes:			
342	65704	Plunger—Breaker Point			294628 Point Set			
345	222117	Cover—Breaker Point			65704 Plunger			
346	93705	Screw—Hex. Head			61760 Key—Flywheel	488	222211	Bracket—Output
347	220884	Switch—Stop (Use for 1-1/2" High—37 and 42 M. M. Spark Plug)	380	62199	Washer—Plain		<b>Note:</b>	390740 Bracket—Output.
	<b>Note:</b>	221808 Switch—Stop (Use for 2" High Spark Plug)	422	222502	Clamp—Oil Filler Tube			<b>Uses:</b>
351	93735	Screw—Terminal (Truss Hd.)	423	93410	Screw—Sem			93523 Screw—Mtg. Used on type Nos. 0642, 0738.
	<b>Note:</b>	221808 Switch—Stop (Use for 2" High Spark Plug)	455	222561	Cup—Screen Mounting			
			468	222562	Screen—Flush Rotating	491	222115	Bracket—Rectifier
			474	393474	Stator—Alternator (Dual Circuit)	492	390555	Starter—Generator (12 volt) (Delco-Remy No. 1101695 and Pulley Delco-Remy No. 1949358)
351	93735	Screw—Terminal (Fillister Hd.)		<b>Note:</b>	393295 Stator—Alternator (10 Amp.)			
352	66068	Washer—Insulating	474A	393800	Stator—Alternator			
353	92791	Washer—Lock—Shakeproof (3)		<b>Note:</b>	393809 Stator—Alternator (D. C.)			
354	90576	Nut—Hex.—8-32 (2)			Used on type Nos. 0866, 0871, 0876, 0877, 0883, 0899, 0915, 0916, 0921, 0922, 0923, 5139,	493	211594	Bracket—Lower Starter
355	66554	Collar—Insulating				497	91203	Screw—Cap, Hex. Hd.—5/16-18 x 1-3/4"
						500	91325	Washer—Plain
						501	393374	Regulator—Alternator (10 Amp.)

REF. NO.	PART NO.	DESCRIPTION	REF. NO.	PART NO.	DESCRIPTION	REF. NO.	PART NO.	DESCRIPTION
501A	295924	Regulator—Voltage (Delco-Remy No. 1118988)						0143, 0144, 0145, 0146, 0147, 0149, 0151, 0152, 0156, 0157, 0158, 0160, 0161, 0162, 0163, 0164, 0165, 0167, 0169, 0171, 0172, 0174, 0175, 0176, 0177, 0178, 0179, 0183, 0184, 0186, 0187, 0188, 0189, 0190.
506	90072	Screw—Machine, Fill. Hd.—8-32 x 5/8"						
507	66895	Insulator—Terminal						
508	93294	Screw—Sem (Control Plate Strap and Blower Housing Mounting)						
516	260374	Spring—Connector						
517	295423	Pulley—Rope Starter (with screen)						
518	69932	Rope—Starter						
520	93722	Terminal—Spade						
521	298529	Shielding—Ignition Cable						
523	391840	Cap and Dipstick—Oil Filler						
523A	392066	Cap and Dipstick—Oil Filler						
524	68838	Seal—Filler Tube						
525	280133	Tube—Oil Filler						
525A		Tube—Oil Filler (Order No. 392066)						
526	93343	Screw—Regulator						
527	221428	Clamp (2)						
534	93622	Screw—Air Cleaner						
534A	93323	Screw—Air Cleaner						
535	270528	Element—Air Cleaner						
536	390379	Cleaner Assy.—Air						
	Note:	391399 Cleaner Assembly—Air						
	Uses:	280111 Support—Air Cleaner Element (Plastic) Used on type Nos. 5015, 5016, 5017, 5018, 5019, 5025, 5026, 5027, 5028, 5125, 5126, 5127, 5128, 5129, 5130, 5131, 5132, 5133, 5134, 5135, 5136, 5137, 5138, 5139, 5140, 5141, 5142, 5143, 5144, 5145, 5146, 5147, 5148, 5149, 5150, 5151, 5152, 5153, 5154, 5155, 5156.						
537	270539	Gasket—Air Cleaner						
541	22398	Washer						
552	231055	Bushing—Governor Crank (1/4" I. D.) Used after Code No. 75110911.						
	Note:	230927 Bushing—Gov. Crank (3/16" I. D.) Used before Code No. 75111011.						
561	92278	Nut—Hex. (1/4-20)						
562	92613	Bolt—Governor Lever						
575	299139	Switch—Starting						
578	392683	Wire—Starter Switch						
578A	393109	Wire—Switch (Starter Switch to Alternator)						
592	231082	Nut—Hex., 10-24						
601	93053	Clamp—Fuel Pipe						
605	222934	Bracket—Regulator						
605A	298758	Bracket—Guard						
606	221790	Strap—Adjusting						
608	390391	Starter Assy.—Rewind						
613	93704	Screw—Muffler Mtg.						
613A	93549	Screw—Muffler Mtg.						
	Note:	93642 Screw—Muffler Mounting Used on type Nos. 0121, 0667, 0668, 0675, 0854.						
614	93306	Cotter—Hair Pin						
615	93307	Retainer—E-Ring						
618	261116	Spring—Choke Return						
621	297472	Switch—Stop						
634	270382	Washer—Choke Shaft						
635	66538	Elbow—Spark Plug						
643	222149	Cup—Air Cleaner						
645	23513	Bushing—Plunger						
655	222598	Anchor—Spring Used after Code No. 73061011.						
	Note:	221014 Anchor—Spring Used before Code No. 73061111.						
657	93496	Screw—Sem						
	Note:	93543 Screw—Sem Used to fasten Control Wire Casing on type No. 0168, 0173, 0180, 0181, 0652, 0653, 0689, 0719.						
658	221576	Strap—Control Plate						
	Note:	221827 Strap—Speed Control Used on type Nos. 0015, 0016, 0017, 0120, 0124, 0125, 0126, 0127, 0128, 0129, 0130, 0131, 0133, 0134, 0135, 0136, 0137, 0138, 0140, 0141, 0142,						
		0143, 0144, 0145, 0146, 0147, 0149, 0151, 0152, 0156, 0157, 0158, 0160, 0161, 0162, 0163, 0164, 0165, 0167, 0169, 0171, 0172, 0174, 0175, 0176, 0177, 0178, 0179, 0183, 0184, 0186, 0187, 0188, 0189, 0190.						
662	222027	Bracket—Carburetor						
663	93572	Screw						
664	93415	Screw—Sem 1/4-20 x 3/4" long						
665	296768	Oil Minder						
670	22963	Spacer—Fuel Tank (4 used on Engines with No Electric Starter)						
673	93705	Screw						
676	222292	Deflector—Exhaust						
	Note:	222406 Deflector—Exhaust (Direct Out) Used on type Nos. 0890, 5136, 5137, 5138.						
		222417 Deflector—Exhaust (Louvered) Used on type Nos. 0765, 0789, 0790, 0803, 0804, 0822, 0852, 0860, 0861, 0871, 0883, 0884, 0892, 0893, 0896, 0898, 0899, 0902, 0903, 0916, 0917, 5135, 5142, 5148, 5149.						
		222573 Deflector—Exhaust (Side Outlet) Used on type Nos. 0910, 0912, 0913.						
		392193 Deflector—Exhaust (Side Outlet) Used on type No. 0906.						
682	211516	Shield—Starter Clutch						
683	93572	Screw Also 93061						
684	221781	Stop—Control Lever						
685	93524	Screw—Thread Form. 5-40 x 1/2"						
686	91622	Washer—Lock						
687	390690	Slide—Friction Control						
687A	298957	Slide—Friction Control						
688	221766	Cap—Friction Spring						

## 190700 to 190799

REF. NO. 689 - 887

REF. NO.	PART NO.	DESCRIPTION	REF. NO.	PART NO.	DESCRIPTION	REF. NO.	PART NO.	DESCRIPTION
689	260847	Spring—Friction	763	391604	Electric Starter Kit 12 Volt (Gear Drive)	817	390627	Diode Assy.— Isolation
690	92484	Screw—Machine, Fil. Hd.—10-32 x 1/2"	763A	299914	Electric Starter Kit— 110 Volt (Gear Drive)		<b>Note:</b>	<b>390624</b> Diode Assy.— Isolation
725	221885	Shield—Heat		<b>Note:</b>	(Cannot be used with Alternator)			Used on type Nos. 0121, 0136, 0159. For Isolation Diode Kit for 7 Amp. Alternator order No. <b>390607</b> .
	<b>Note:</b>	<b>222376</b> Shield—Heat Used on type Nos. 5128, 5154.	781	280068	Cap—Starter Pulley	818	390608	Diode—Isolation
725A	222175	Shield—Fuel Pipe, Heat	795	392697	Switch—Ignition (Toggle)	819	93680	Screw—Sem
726	392134	Gear—Ring (Aluminum) (Includes Mounting Parts) Used after Code No. 75022611. For use only with Starter Motors with Plastic Drive Gear.		<b>Uses:</b>	<b>93888</b> Nut—Hex.	826	393110	Wire—Panel (Starter Switch to Ground Wire Terminal)
	<b>Note:</b>	<b>391246</b> Gear—Ring (Aluminum) (Includes Mounting Parts) Used before Code No. 75022711. For use only with Starter Motors with Plastic Drive Gear.		<b>Note:</b>	<b>392833</b> Switch— Ignition (Key)	836	93559	Screw—Sem
726A	299543	Gear—Ring (Steel) (Includes mtg. parts) For use only with Starter Motor with Steel Drive Gear	800	222212	Retainer		<b>Note:</b>	<b>93587</b> Screw—Sem (Mount Guard and Muffler Bracket to Head) Used on type Nos. 0803, 0804.
727	390233	Cover and Shield— Starter	806	390545	Regulator—Alternator	840	392918	Panel Kit—Starter (Toggle Switch)
	<b>Note:</b>	<b>221940</b> Guard—Ring Gear	809	390892	Rectifier—Alternator		<b>Note:</b>	<b>392725</b> Panel Kit— Starter (Key Switch)
	<b>Uses:</b>	<b>93623</b> Screw (2)	809A	390692	Rectifier—Alternator	841	393514	Clamp—Regulator
		<b>90366</b> Washer—Lock (2) Used on type Nos. 0135, 0789, 5146.	809B	390546	Rectifier—Alternator Used on type Nos. 0115, 0121, 0122, 0130, 0136, 0142, 0145, 0146, 0151, 0155, 0158, 0159, 0160, 0163, 0167, 0169, 0177.	842	270920	Seal—Filler Cap
728	93523	Screw—Sem $\frac{1}{16}$ " L.		<b>Note:</b>	<b>390408</b> Rectifier— Alternator	844	261269	Spring—Diode
729	221907	Clip—Wire		<b>Uses:</b>	<b>230982</b> Spacer Used on type Nos. 0132, 0144, 0148, 0150, 0164, 0166, 0168, 0170, 0176, 0178, 0181, 0182, 0185, 0190, 0681.	847	392066	Filler Group—Oil
732	93490	Screw—Sem	813	390611	Clamp—Diode	851	221798	Terminal—Ignition Cable
735	390966	Cord—Starter		<b>Note:</b>	<b>93660</b> Clamp—Diode Used on type Nos. 0121, 0136, 0159.	856	393304	Holder Parts—Fuse
	<b>Note:</b>	<b>390748</b> Cord—Starter (For Canadian use only)	814	390867	Wire Assembly— 7 Amp. Alternator	869	211661	Seat—Intake Valve (Standard)
762	296147	Electric Starter— Gen. Kit—12 Volt (high position)	816	93664	Washer—Lock— Shakeproof	870	211661	Seat—Exhaust Valve (Standard)
				<b>Note:</b>	<b>90364</b> Washer—Lock No. 8 x 3/64 x 1/32 Used on type Nos. 0121, 0136, 0159.	871	230655	Guide—Exhaust Valve
						877	393456	Diode and Connector Assy. (Dual Circuit)
						877A	393814	Diode and Connector Assy. (D. C.)
						878	393362	Alternator Harness Assy. (Dual Circuit)
						878A	393422	Alternator Harness Assy.
						887	391529	Stator Assembly— Alternator (D. C.)

