

144700 to 145706

Illustrated Parts List

MODEL SERIES

144700 to 145706

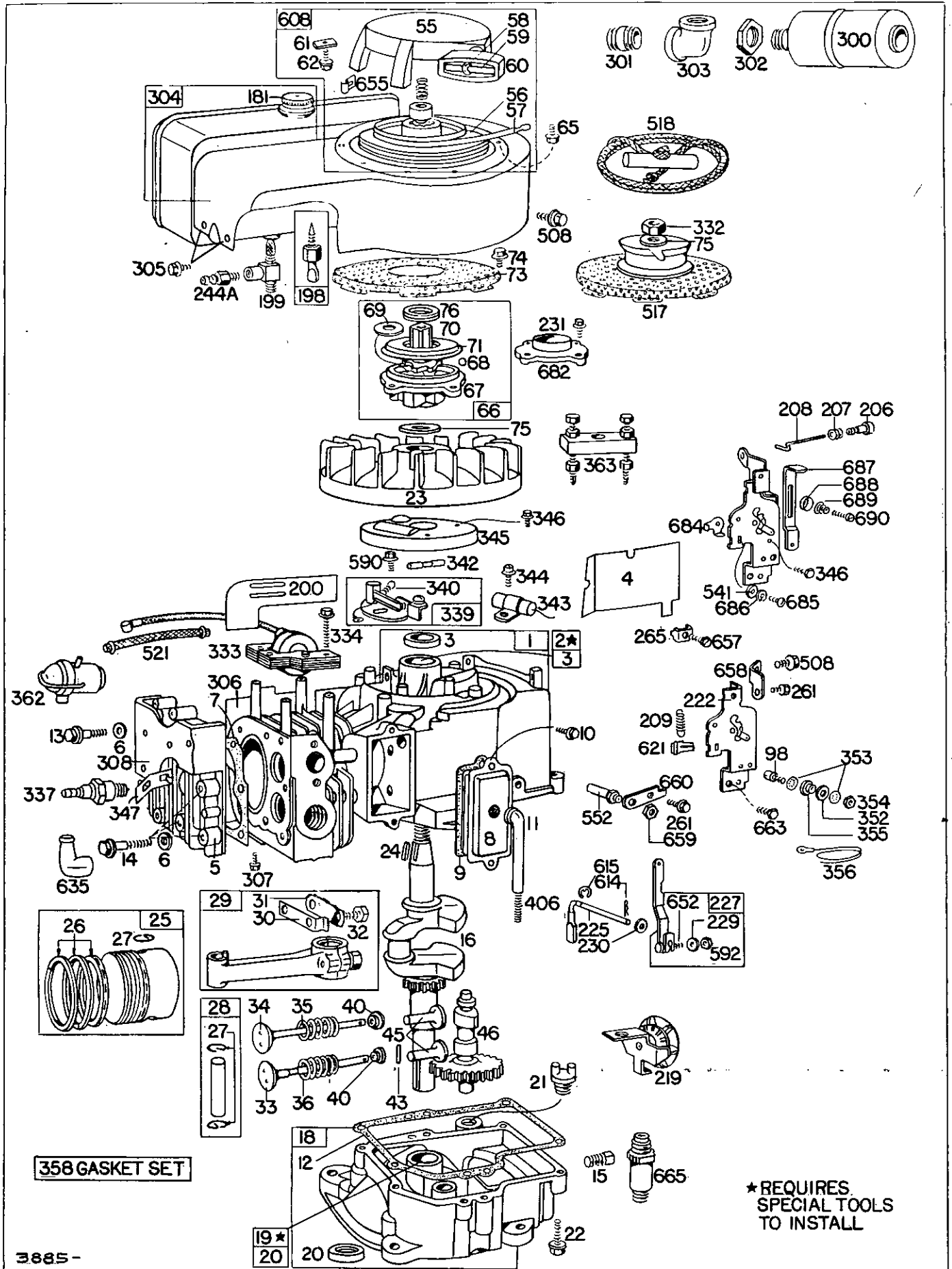
TYPE NUMBERS
0015 to 0140TYPE NUMBERS
0110 to 0121

TO FIND THE CORRECT NUMBER OF THE PART YOU NEED: FOLLOW THE INSTRUCTIONS BELOW.

- A. Refer to Engine Model, Type and Serial Number that is stamped on the blower housing or name plate of engine. Engine type numbers such as 0147 01 are listed herein only as 0147. The two digits (01 or 02, etc.) to the right of the space are not needed for parts identification. Then use the Illustrated Parts List covering these Model Series.
- B. Refer to Illustrated Parts section and compare the old part with illustration. The number on the illustration is the Reference Number. Assemblies include all parts shown in frames. All parts shown in assembly frames on which individual reference numbers are given can be purchased separately.
- C. After the Reference Number has been identified, refer to the Numerical Parts List, where Reference and Master Part Numbers are listed. **THE MASTER PART IS USED ON ALL TYPE NUMBERS EXCEPT THOSE TYPE NUMBERS UNDER "NOTE".**
- D. If a "Note" appears below the Master Part Number, this means that this part differs from the Master Part for certain types. If the Type Number is listed under "Note", order the part referred to.
- E. If the Engine Type Number does not appear after any part number listed under "Note", use the Master Part Number.
- F. For Type Numbers higher than those covered by this book, please refer to the factory if you are unable to identify the part by comparison.

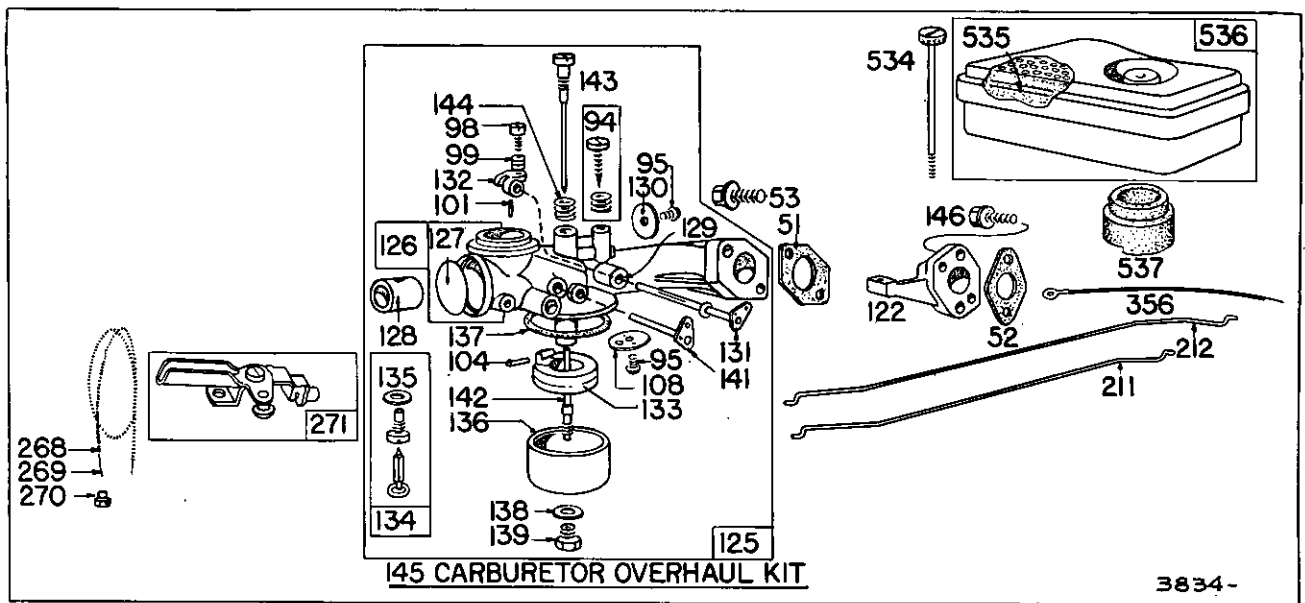


144700 to 145706

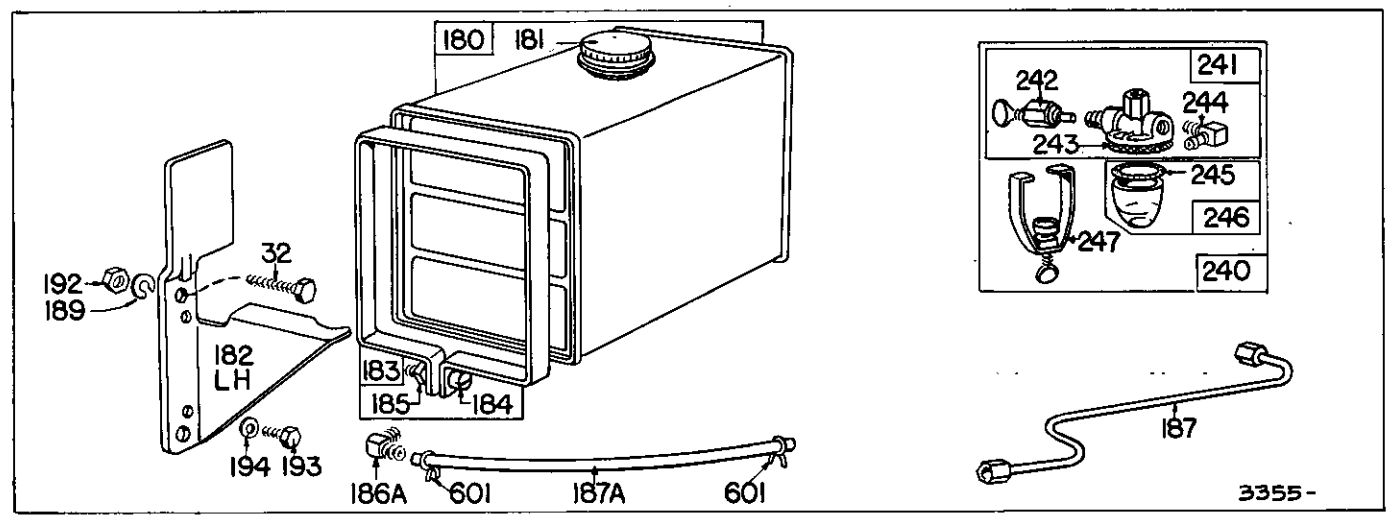


Assemblies include all parts shown in frames

144700 to 145706



Assemblies include all parts shown in frames



Assemblies include all parts shown in frames

144700 to 145706

REF. NO. 1 - 26

| REF. NO. | PART NO. | DESCRIPTION | REF. NO. | PART NO. | DESCRIPTION | REF. NO. | PART NO. | DESCRIPTION |
|----------|----------|---|----------|--|---|----------|----------|--|
| 1 | 299281 | Cylinder Assembly (Sleeve Bore) Used on Model 145700 Series. | | | Used on Model 144700 Series type Nos. 0120, 0130. | | 295843 | Ring-Piston, Oil, Standard (with expander) |
| | 299218 | Cylinder Assembly "Kool Bore*" Used on Model 144700 Series. | 19 | 295963 | Bushing-Oil Sump Note: Requires special tools for installation. | | 295853 | Ring Set-Piston-.010" O.S. Includes: 210889 |
| 2 | 295962 | Bushing-Cylinder Note: Requires special tools for installation. | 20 | 298423 | Seal-Oil | | | 210889 |
| 3 | 294606 | Seal-Oil | 21 | 66768 | Plug-Oil Filler | | | Ring-Piston, Comp., Top & Center, .010" O.S. |
| 4 | 221001 | Plate-Cylinder | 22 | 93205 | Screw-Sump Mounting Sem | | | 295847 |
| 5 | 210578 | Head-Cylinder | 23 | 298260 | Flywheel | | | Ring-Piston, Comp., Top & Center, .010" O.S. |
| 6 | 22963 | Washer-Plain | 24 | 61760 | Key-Flywheel | | | 295849 |
| 7 | †270340 | Gasket-Cylinder Head | 25 | | Model 145700 Series Piston Assemblies (Sleeve Bore) | | | Ring-Piston, Oil, .010" O.S. (with expander) |
| 8 | 294988 | Breather Assembly | | 295842 | Piston Assembly—Standard | | | 295854 |
| 9 | †27803 | Gasket-Valve Cover | | 295846 | Piston Assembly—.010" O.S. | | | Ring Set-Piston-.020" O.S. Includes: 210893 |
| 10 | 93394 | Screw-Breather Mounting Sem | | 295848 | Piston Assembly—.020" O.S. | | | Ring-Piston, Oil, .010" O.S. |
| 11 | 67158 | Tube-Breather | | 295850 | Piston Assembly—.030" O.S. | | | Ring-Piston, Comp., Top & Center, .020" O.S. |
| 12 | †27750 | Gasket-Crankcase Cover-1/64" thick | | | Model 144700 Series Piston Assemblies "Kool-Bore" | | | 295849 |
| | †27876 | Gasket-Crankcase Cover-.005" thick | | 297692 | Piston Assembly—Standard | | | Ring-Piston, Oil, .020" O.S. (with expander) |
| | †27877 | Gasket-Crankcase Cover-.009" thick | | 297693 | Piston Assembly—.010" O.S. | | | 295855 |
| 13 | 93210 | Screw-Cylinder Head (2-3/16" long) | | 297694 | Piston Assembly—.020" O.S. | | | Ring Set-Piston-.030" O.S. Includes: 210897 |
| 14 | 93211 | Screw-Cylinder Head (2-9/16" long) | | 297695 | Piston Assembly—.030" O.S. | | | Ring-Piston, Comp., Top & Center, .020" O.S. |
| 15 | 91084 | Plug-Oil Drain | 26 | | Model 145700 Series Piston Ring Sets (Sleeve Bore) | | | Ring-Piston, Comp., Top & Center, .030" O.S. |
| 16 | 260356 | Crankshaft Note: 260394 Crankshaft Used on Model 144700 Series type Nos. 0121, C134, 0136. 260498 Crankshaft Used on Model 144700 Series type Nos. 0120, 0129. 260506 Crankshaft Used on Model 144700 Series type Nos. 0122, 0131, 0132. 260536 Crankshaft Used on Model 144700 Series type No. 0130. 260818 Crankshaft Used on Model 144700 Series type No. 0127. | | Note: For Chrome Piston Ring Set—Standard Size—order Part No. 298451. | | | | 295851 |
| 18 | 298616 | Sump-Oil Note: 296594 Sump-Oil | | 295852 | Ring Set-Piston—Std. Includes: 210703 | | | Ring-Piston, Comp., Top & Center, .030" O.S. (with expander) |

* Trademark of Briggs & Stratton Corp.

† Included in Gasket Set—Part No. 295970.

| REF. NO. | PART NO. | DESCRIPTION | REF. NO. | PART NO. | DESCRIPTION | REF. NO. | PART NO. | DESCRIPTION |
|---------------|---------------|---|-----------|---------------|--|--------------|----------------|--|
| | | Model 144700 Series Piston Ring Sets "Kool-Bore" | 30 | 221725 | Dipper—Connecting Rod | 68 | 63770 | Ball—Clutch |
| | | Note: For Chrome Piston Ring Set—Standard Size—order Part No. 298745. | 31 | 220811 | Lock—Connecting Rod Screw | 69 | 66718 | Washer—Starter Clutch, Thrust |
| 297815 | | Ring Set—Piston—Std. Consists of: 210600 Ring, Piston, Comp., Top, Std. 211037 Ring, Piston, Comp., Center, Standard 210602 Ring, Piston, Oil, Standard | 32 | 92659 | Screw—Conn. Rod | 70 | 298799 | Ratchet—Rewind Starter Used after Serial No. 6601171. |
| 297705 | | Ring Set—Piston— .010" O.S. Consists of: 211241 Ring, Piston, Comp., Top, .010" O.S., 211244 Ring, Piston, Comp., Center, .010" O.S. 211247 Ring, Piston, Oil, .010" O.S. | 33 | 230385 | Valve Exhaust | Note: | 296916 | Ratchet—Rewind Starter Clutch Used before Serial No. 6601181. |
| 297706 | | Ring Set—Piston— .020" O.S. Consists of: 211242 Ring, Piston, Comp., Top, .020" O.S., 211245 Ring, Piston, Comp., Center, .020" O.S. 211248 Ring, Piston, Piston, Oil, .020" O.S. | 34 | 230386 | Valve—Intake | 71 | 221653 | Washer—Retainer Used after Serial No. 6601171. |
| 297707 | | Ring Set—Piston— .030" O.S. Consists of: 211243 Ring, Piston, Comp., Top, .030" O.S., 211246 Ring, Piston, Comp., Center, .030" O.S. 211249 Ring, Piston, Oil, .030" O.S. | 35 | 65906 | Spring—Intake Valve | Note: | 221301 | Washer—Retainer Used before Serial No. 6601181. Uses: 26032 Ring—Clutch Retainer |
| 27 | 68546 | Lock—Piston Pin | 36 | 65906 | Spring—Exhaust Valve | 73 | 221796 | Screen—Rewind Starter Used after Serial No. 6601171. |
| 28 | 295840 | Pin Assembly—Standard | 40 | 230477 | Retainer—Valve Spring | Note: | 220823 | Screen—Rewind Starter Used before Serial No. 6601181. |
| | 295841 | Pin Assembly— .005" O.S. | 43 | 230476 | Pin—Valve Spring Ret. | 74 | 93042 | Screw—Rotating Screen Mounting Sem |
| 29 | 295839 | Rod Assembly—Connecting | 45 | 260125 | Tappet—Valve | 75 | 220865 | Washer—Spring |
| | | | 46 | 210728 | Gear—Cam | 76 | 68238 | Washer—Ratchet Sealing |
| | | | 51 | †27355 | Gasket—Intake Elbow | 94 | †292681 | Valve Assembly—Carburetor Idle |
| | | | 52 | †27828 | Gasket—Intake Elbow Mounting | 95 | 93038 | Screw—Throttle and Choke Valve Mounting Sem |
| | | | 53 | 93357 | Screw—Carburetor to Spacer Mounting Sem | 98 | 91920 | Screw—Machine, Fill. Hd. 8-32 x 5/8" |
| | | | 55 | 295272 | Housing—Rewind Starter | 99 | 26157 | Spring—Throttle Adjustment |
| | | | 56 | 295871 | Pulley—Rewind Starter | 101 | 93043 | Pin—Throttle Stop |
| | | | 57 | 294303 | Spring—Rewind Starter | 104 | †23114 | Pin—Float Hinge |
| | | | 58 | 66564 | Rope—Rewind Starter (63" long) Note: If longer rope is needed, order No. 66574 and cut to required length. | 108 | 220773 | Valve—Choke (Choke-A-Matic Only) Note: 221421 Valve—Choke Used on Model 144700 Series type Nos. 0110, 0111, 0120, 0122, 0128, 0129; also used on Model 145700 Series type Nos. 0110, 0111, 0120. |
| | | | 59 | 230228 | Pin—Starter Grip | | | |
| | | | 60 | 66728 | Grip—Starter Rope | | | |
| | | | 61 | 68848 | Bumper—Starter Pulley | | | |
| | | | 62 | 93254 | Screw—Pulley Bumper Mounting Sem | | | |
| | | | 63 | 260414 | Spring—Ratchet | | | |
| | | | 64 | 230543 | Adapter—Ratchet Spring | | | |
| | | | 65 | 93163 | Screw—Rewind Starter | | | |
| | | | 65 | 93163 | Screw—Rewind Starter Housing Mounting Sem | | | |
| | | | 66 | 298798 | Clutch Assembly—Rewind Starter Used after Serial No. 6601171. Note: 295684 Clutch Assy.—Rewind Starter Used before Serial No. 6601181. | | | |
| | | | 67 | 211383 | Housing—Rewind Starter Clutch Used after Serial No. 6601171. Note: 210400 Housing—Rewind Starter Clutch Used before Serial No. 6601181. | | | |

† Included in Gasket Set—
Part No. 295970

‡ Included in Carburetor Overhaul
Kit—Part No. 298951

144700 to 145706

REF. NO. 122 - 268

| REF. NO. | PART NO. | DESCRIPTION | REF. NO. | PART NO. | DESCRIPTION | REF. NO. | PART NO. | DESCRIPTION |
|----------|--------------|---|----------|--------------|--|----------|--------------|---|
| 122 | 210596 | Spacer, Intake Elbow | 143 | ‡294473 | Valve-Needle | | | Used on type Nos. 0124, 0137. |
| 125 | 299182 | Carburetor Assembly (Choke-A-Matic) | 144 | 260256 | Spring-Needle Valve | 211 | 260893 | Link-Choke |
| | Note: | 299184 Carburetor Assy. (Manual Choke) Used on <i>Model 144700</i> Series type Nos. 0110, 0111, 0120, 0122, 0128, 0129, 0130, 0132, 0135; also used on <i>Model 145700</i> Series type Nos. 0110, 0111, 0120. | 145 | 298951 | Carburetor Overhaul Kit | 212 | 260888 | Link-Governor |
| 126 | 294712 | Body Assembly-Upper Carburetor | 146 | 93329 | Screw-Carburetor Assy. Mounting Sem | 219 | 298614 | Oil Slinger, Gov. Gear and Bracket Assembly |
| 127 | ‡220751 | Plug-Welch | 171 | 92129 | Nut-Hex. -1/4-28 | 222 | 298997 | Plate-Governor Control |
| 128 | 211182 | Venturi-Carburetor | 180 | 290816 | Tank Assy. -Fuel | | Note: | 298998 Plate-Governor Control Used on <i>Model 144700</i> Series type Nos. 0015, 0121, 0123, 0124, 0125, 0126, 0127, 0131, 0134, 0136, 013, 0138, 0139. |
| 129 | 23230 | Bushing-Throttle Shaft | 181 | 293270 | Cap-Fuel Tank | 225 | 230759 | Shaft-Governor Lever |
| 130 | 220791 | Valve-Throttle | 181A | 69221 | Cap-Fuel Tank | 227 | 298303 | Lever Assy. -Governor |
| 131 | 298915 | Shaft and Lever-Throttle | 182 | 221087 | Bracket-Fuel Tank, R. H. | 229 | 220680 | Washer |
| 132 | 61967 | Stop-Throttle | | 221088 | Bracket-Fuel Tank, L. H. | 230 | 221559 | Washer-Governor Lever |
| 133 | 293477 | Float-Carburetor | | Note: | 220858 Bracket-Fuel Tank Used on <i>Model 144700</i> Series type No. 0138. | 231 | 93064 | Screw-Sem |
| 134 | ‡293478 | Valve and Seat-Fuel Inlet | 183 | 291367 | Strap Assembly-Fuel Tank | 240 | 293964 | Filter Assy. -Fuel |
| 135 | ‡68877 | Gasket-Inlet Valve Seat | 184 | 91257 | Screw-Machine, Fill. Hd. -1/4-20 x 1-1/2" | | Note: | 295984 Filter Assy. -Fuel Used on <i>Model 144700</i> Series type Nos. 0128, 0138. |
| 136 | 220761 | Bowl-Carburetor Float | 185 | 90970 | Nut-Square, 1/4-20 | 241 | 293966 | Cover Assembly-Fuel Filter |
| 137 | ‡27682 | Gasket-Float Bowl | 186 | 67218 | Connector-Fuel Pipe | | Note: | 296005 Cover Assy. -Fuel Filter Used on <i>Model 144700</i> Series type Nos. 0128, 0138. |
| 138 | ‡221172 | Gasket-Float Bowl Mounting | | Note: | 63377 Connector-Fuel Pipe Used on <i>Model 144700</i> Series type Nos. 0110, 0111, 0120, 0122, 0128, 0129, 0130, 0132; also used on <i>Model 145700</i> Series type Nos. 0110, 0111, 0120. | 242 | 295913 | Valve-Fuel Shut-Off |
| 139 | 93086 | Screw-Car. Bowl Mtg. | 187 | 296004 | Pipe-Fuel | 243 | 22547 | Screen-Fuel Filter |
| 141 | 298945 | Shaft and Lever-Choke | | Note: | 295995 Pipe-Fuel Used on <i>Model 144700</i> Series type No. 0130. | 244 | 63377 | Connector-Fuel Pipe |
| | Note: | 294874 Valve, Shaft and Lever-Choke (Manual) Used on <i>Model 144700</i> Series type Nos. 0110, 0111, 0120, 0122, 0128, 0129, 0130, 0132; also used on <i>Model 145700</i> Series type Nos. 0110, 0111, 0120. Uses: 23270 Screw-Choke Lever 26229 Spring-Choke Lever 221421 Valve-Choke 220899 Washer | 189 | 90366 | Washer-Lock-5/16 x 1/8 x 1/16" | | Note: | 230318 Connector-Fuel Pipe Used on <i>Model 144700</i> Series type Nos. 0128, 0138. |
| 142 | ‡298947 | Nozzle-Carburetor | 192 | 91397 | Nut-Hex. 5/16-18 | 246 | 298683 | Bowl-Fuel Filter |
| | | | 193 | 90681 | Screw-Cap, Hex. Hd., 5/16-18 x 5/8" | 247 | 99665 | Yoke-Fuel Filter |
| | | | 194 | 90366 | Washer-Lock-5/16 x 1/8 1/16" | 261 | 93105 | Screw-Sem |
| | | | 198 | 293934 | Valve-Fuel Shut-Off | 265 | 221535 | Clamp-Casing |
| | | | 199 | 295896 | Outlet-Fuel Tank (Includes Strainer) | 268 | 65616 | Casing-Control Wire-72" long |
| | | | 200 | 221760 | Guide-Air | | | |
| | | | 206 | 230149 | Nut-Gov. Control Rod | | | |
| | | | 207 | 26855 | Spring-Gov. Control Rod | | | |
| | | | 208 | 230853 | Rod-Governor Control | | | |
| | | | 209 | 260723 | Spring-Governor | | | |
| | | | | Note: | 260871 Spring-Governor | | | |
| | | | | Note: | 260871 Spring-Governor | | | |

† Included in Gasket Set- Part No. 295970.

‡ Included in Carburetor Overhaul Kit-Part No. 298951.

| REF. NO. | PART NO. | DESCRIPTION | REF. NO. | PART NO. | DESCRIPTION | REF. NO. | PART NO. | DESCRIPTION |
|------------|---------------|--|------------|---------------|--|------------|---------------|--|
| | Note: | If longer casing is required, specify length in inches; if shorter wire is needed, order No. 65616 and cut to required length. | 308 | 220824 | Cover-Cylinder Head | 536 | 297036 | Cleaner Assy.-Air |
| | | | 332 | 92284 | Nut | 537 | 27994 | Gasket-Air Cleaner |
| | | | 334 | 93381 | Screw-Armature Mounting Sem | 541 | 22398 | Washer |
| | | | 337 | 298809 | Plug-Spark (1-1/2" High-38 M. M.) | 552 | 230761 | Bushing-Gov. Shaft |
| 269 | 26633 | Wire-Control-78" long | | Note: | 29693 Plug-Spark (2" High-51 M. M.) | 562 | 92613 | Bolt-Governor Lever |
| | Note: | If longer wire is required, specify length in inches; if shorter wire is needed, order No. 26633 and cut to required length. | 338 | 29806 | Gasket-Spark Plug | 590 | 93226 | Screw-Breaker Mounting Sem |
| | | | 339 | 29667 | Breaker Assy.-Ignition | 592 | 90356 | Nut-Hex. 10-24 |
| | | | 304 | 26018 | Spring-Breaker Arm | 601 | 93053 | Clamp-Hose |
| | | | 342 | 65704 | Plunger-Breaker Point | 608 | 295001 | Starter Assy.-Rewind |
| | | | 343 | 29861 | Condenser | 614 | 93306 | Cotter-Hair Pin |
| 270 | 63426 | Locknut-Control Wire Casing | 344 | 93370 | Screw-Condenser Mounting Sem | 615 | 93307 | Retainer-E-Ring |
| 271 | 290568 | Lever Assy.-Control | 345 | 221046 | Cover-Breaker Point | 621 | 297472 | Switch-Stop |
| 300 | 294599 | Muffler-Exhaust | 346 | 93014 | Screw-Breaker Point Cover Mounting Sem | 635 | 66538 | Elbow-Spark Plug |
| | Note: | 297274 Muffler Exhaust Used on <i>Model 144700</i> Series type No. 0124. | 347 | 221808 | Switch-Stop | 655 | 221014 | Anchor-Spring |
| 301 | 91245 | Nipple-Exhaust | 352 | 66068 | Washer-Insulating | 657 | 93496 | Screw-Sem |
| 302 | 91242 | Locknut-Muffler and Elbow | 353 | 92791 | Washer-Lock-Shakeproof | 657 | 93496 | Screw-Sem |
| 303 | 91205 | Elbow-Muffler-45° | 354 | 90576 | Nut-Hex.-8-32 | 658 | 221576 | Strap-Control Plate |
| | Note: | 91464 Elbow-Muffler, 90° Street Used on <i>Model 144700</i> Series type Nos. 0126, 0139. | 355 | 66554 | Collar-Insulating | | Note: | 221827 Bracket-Control Plate Used on <i>Model 144700</i> Series type Nos. 0015, 0121, 0122, 0123, 0124, 0125, 0126, 0127, 0131, 0134, 0138, 0139; also used on <i>Model 145700</i> Series type No. 0120. |
| | | | 356 | 295413 | Wire-Ground | 659 | 93390 | Nut-Gov. Shaft Bushing |
| | | | 358 | 295970 | Gasket Set | 660 | 221577 | Bracket-Control Plate |
| | | | 362 | 291630 | Shield-Spark Plug (with stop switch) | 665 | 296768 | Oil Minder |
| | | | 363 | 19165 | Puller-Flywheel | 682 | 211516 | Shield-Starter Clutch |
| 304 | 295898 | Housing-Blower | 380 | 62199 | Washer-Plain | 683 | 93351 | Screw |
| | Note: | 294605 Housing-Blower Used on <i>Model 144700</i> Series type Nos. 0015, 0125, 0128, 0130, 0137, 0138. | 406 | 260386 | Spring-Breather Tube | 684 | 221781 | Stop-Control Lever |
| | | | 508 | 93294 | Screw-Blower Housing Mtg. Sem (Used at bottom holes) | 685 | 93524 | Screw-Rd. Hd. |
| 305 | 93158 | Screw-Blower Housing Mounting Sem | 517 | 295423 | Pulley-Rope Starter (with screen) | 686 | 91622 | Washer-Lock |
| 306 | 221005 | Shield-Cylinder | 518 | 69932 | Rope-Starter | 687 | 298957 | Slide-Friction Control |
| 307 | 93163 | Screw-Cylinder | 521 | 298529 | Shielding-Ignition Cable | 688 | 221766 | Cap-Friction Spring |
| 333 | 298968 | Armature Assembly Shield Mtg. Sem | 527 | 221428 | Clamp-Fuel Pipe | 689 | 260847 | Spring-Friction |
| | | | 534 | 93324 | Screw-Air Cleaner | 690 | 92484 | Screw-Machine, Fil. Hd.-10-32 x 1/2" |
| | | | 535 | 27987 | Element-Air Cleaner | | | |