

**144400 to 144453**  
**145400 to 145453**

# **Illustrated Parts List**

## **MODEL SERIES**

# **144400 to 144453**

TYPE NUMBERS

0015 TO 0050

0110 TO 0152

# **145400 to 145453**

TYPE NUMBERS

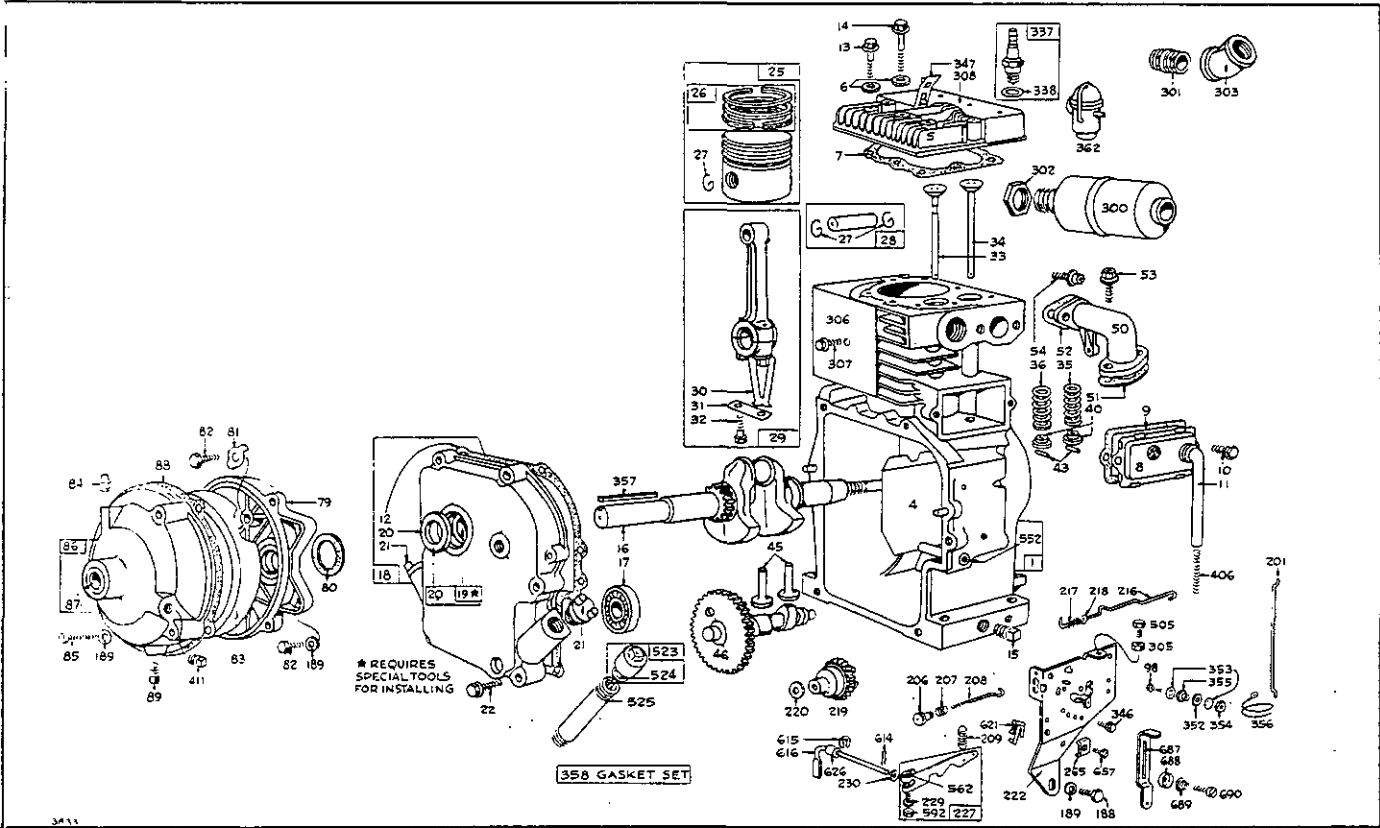
0110 TO 0157

**TO FIND  
THE CORRECT NUMBER OF THE PART YOU NEED:  
FOLLOW THE INSTRUCTIONS BELOW.**

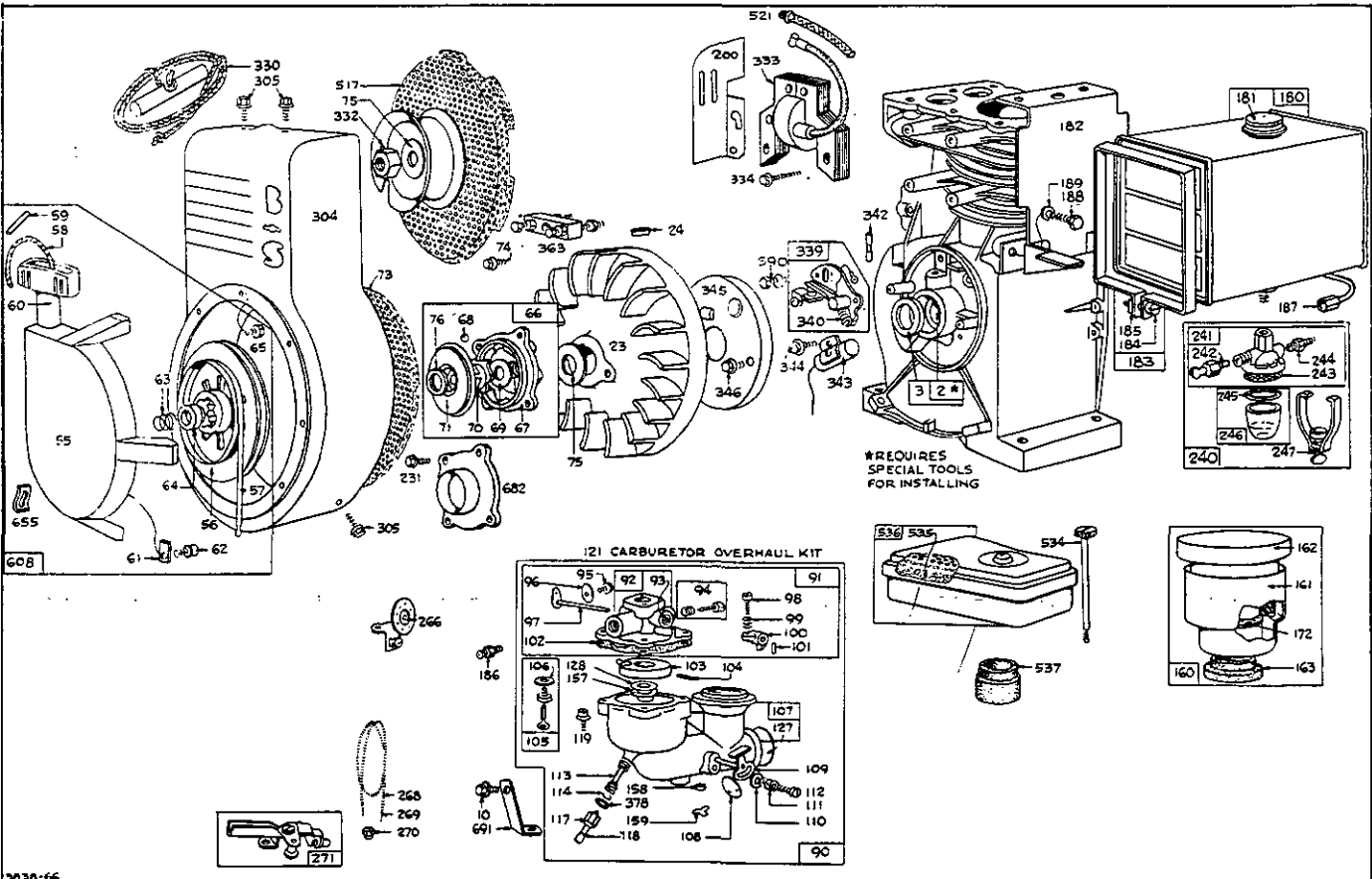
- A. Refer to Engine Model, Type and Serial Number that is stamped on the blower housing or name plate of engine. Engine type numbers such as 0147 01 are listed herein only as 0147. The two digits (01 or 02, etc.) to the right of the space are not needed for parts identification. Then use the Illustrated Parts List covering these Model Series.
- B. Refer to Illustrated Parts section and compare the old part with illustration. The number on the illustration is the Reference Number. Assemblies include all parts shown in frames. All parts shown in assembly frames on which individual reference numbers are given can be purchased separately.
- C. After the Reference Number has been identified, refer to the Numerical Parts List, where Reference and Master Part Numbers are listed. **THE MASTER PART IS USED ON ALL TYPE NUMBERS EXCEPT THOSE TYPE NUMBERS UNDER "NOTE".**
- D. If a "Note" appears below the Master Part Number, this means that this part differs from the Master Part for certain types. If the Type Number is listed under "Note", order the part referred to.
- E. If the Engine Type Number does not appear after any part number listed under "Note", use the Master Part Number.
- F. For Type Numbers higher than those covered by this book, please refer to the factory if you are unable to identify the part by comparison.



144400 to 144453  
145400 to 145453



Assemblies include all parts shown in frames



Assemblies include all parts shown in frames

REF. NO.	PART NO.	DESCRIPTION	REF. NO.	PART NO.	DESCRIPTION	REF. NO.	PART NO.	DESCRIPTION
1	299166	Cylinder Assembly "Kool Bore*" Used on Model 144400 Series.			Series type Nos. 0049, 0120, 0121, 0136, 0137, 0139, 0140, 0144; also used on Model 145400			299175 Cover Assembly—Crankcase Used on Model 144400 Series type Nos. 0049, 0120, 0121, 0136, 0137, 0139, 0140, 0144, 0147; also used on Model 145400 series type Nos. 0120, 0121, 0135, 0144, 0149, 0153.
	299208	Cylinder Assembly (Sleeve Bore) Used on Model 145400 Series.			Series type Nos. 0120, 0121, 0135, 0143.			299390 Cover Assembly—Crankcase Used on Model 144400 Series type No. 0143.
2	295962	Bushing—Cylinder <b>Note:</b> Requires special tools for installation.			Series type No. 0148.	19	295964	Bushing—Crankcase Cover <b>Note:</b> Requires special tools for installation.
3	294606	Seal—Oil			Series type Nos. 0035, 0130, 0132, 0133, 0134, 0148; also used on Model 145400 Series type Nos. 0130, 0134, 0137, 0150, 0152.	20	298423	Seal—Oil
4	221822	Plate—Cylinder Baffle			260423 Crankshaft Used on Model 145400	21	66768	Plug—Oil Filler
5	210578	Head—Cylinder			Series type No. 0148.	22	93205	Screw—Crankcase Cover Mounting Sem
6	22963	Washer—Plain			260425 Crankshaft Used on Model 144400	23	298260	Flywheel
7	†270340	Gasket—Cylinder Head <b>Note:</b> Two No. 270340 Cylinder Head Gaskets are used on Model 144400 Series type No. 0148; also used on Model 145400 Series type Nos. 0134, 0153.			Series type Nos. 0035, 0130, 0132, 0133, 0134, 0148; also used on Model 145400 Series type Nos. 0130, 0134, 0137, 0150, 0152.	24	61760	Key—Flywheel
8	294948	Breather Assembly			260472 Crankshaft Used on Model 144400	<b>MODEL 144400 SERIES PISTON ASSEMBLIES FOR "KOOL BORE**"</b>		
9	†27803	Gasket—Valve Cover			Series type No. 0143; also used on Model 145400 Series type No. 0131.	25	297692	Piston Assembly—Std.
10	93394	Screw—Breather Mtg. Sem			260607 Crankshaft Used on Model 144400		297693	Piston Assy. —.010" O.S.
11	67148	Tube—Breather			Series type Nos. 0015, 0150.		297694	Piston Assy. —.020" O.S.
12	†27750	Gasket—Crankcase Cover—1/64" thick			260667 Crankshaft Used on Model 145400		297695	Piston Assy. —.030" O.S.
	†27876	Gasket—Crankcase Cover—.005" thick			Series type Nos. 0140, 0151.	<b>MODEL 145400 SERIES PISTON ASSEMBLIES (FOR SLEEVE BORE)</b>		
	†27877	Gasket—Crankcase Cover—.009" thick			260729 Crankshaft Used on Model 144400		295842	Piston Assembly—Std.
13	93210	Screw—Cylinder Head (2-9/32" long)			Series type No. 0147.		295846	Piston Assy. —.010" O.S.
14	93211	Screw—Cylinder Head (2-21/32" long)			260865 Crankshaft Used on Model 144400		295848	Piston Assy. —.020" O.S.
15	91084	Plug—Oil Drain			Series type No. 0141.		295850	Piston Assy. —.030" O.S.
16	260315	Crankshaft <b>Note:</b> 260358 Crankshaft Used on Model 144400 Series type Nos. 0115, 0116; also used on Model 145400 Series type Nos. 0115, 0116.	17	29530	Bearing—Ball	<b>MODEL 144400 SERIES PISTON RING SETS FOR "KOOL BORE**"</b>		
		260359 Crankshaft Used on Model 145400 Series type Nos. 0132, 0133, 0136, 0142.	18	299167	Cover Assy.—Crankcase <b>Note:</b> 299168 Cover Assembly—Crankcase Used on Model 144400 Series type Nos. 0035, 0115, 0116, 0130, 0132, 0133, 0134, 0141, 0148; also used on Model 145400 Series type Nos. 0115, 0116, 0130, 0131, 0132, 0133, 0134, 0136, 0137, 0142, 0148, 0152.	26	297815	Ring Set—Piston—Std. Consists of: 210600 Ring—Piston, Comp., Top, Standard 211037 Ring—Piston, Comp., Center, Std.
		260389 Crankshaft Used on Model 144400						

\* Trademark of Briggs & Stratton Corp.

† Included in Gasket Set—Part No. 295970.

**144400 to 144453**  
**145400 to 145453**

REF. PART NO.	PART NO.	DESCRIPTION	REF. PART NO.	PART NO.	DESCRIPTION	REF. PART NO.	PART NO.	DESCRIPTION
		<b>210602</b> Ring-Piston, Oil, Standard			Consists of: <b>210703</b> Ring-Piston, Comp., Top & Center, Standard			<b>Note:</b> <b>260444</b> Valve-Exhaust Used on <b>Model 144400</b> Series type Nos. 0139, 0141, 0143, 0147; also used on <b>Model 145400</b> Series type No. 0152.
<b>297705</b>		Ring Set-Piston-.010" O.S. Consists of: <b>211241</b> Ring-Piston, Comp., Top, .010" O.S. <b>211244</b> Ring-Piston, Comp., Center, .010" O.S. <b>211247</b> Ring-Piston, Oil, .010" O.S.	<b>295853</b>		Ring Set-Piston-.010" O.S. Consists of: <b>210889</b> Ring-Piston, Comp., Top & Center, .010" O.S. <b>295847</b> Ring-Piston, Oil, .010" O.S. (w/expander)	<b>34</b>	<b>230386</b>	Valve-Intake <b>Note:</b> <b>230385</b> Valve-Intake Used on <b>Model 144400</b> Series type Nos. 0139, 0141, 0143, 0147; also used on <b>Model 145400</b> Series type No. 0152.
<b>297706</b>		Ring Set-Piston-.020" O.S. Consists of: <b>211242</b> Ring-Piston, Comp., Top, .020" O.S. <b>211245</b> Ring-Piston, Comp., Center, .020" O.S. <b>211248</b> Ring-Piston, Oil, .020" O.S.	<b>295854</b>		Ring Set-Piston-.020" O.S. Consists of: <b>210893</b> Ring-Piston, Comp., Top & Center, .020" O.S. <b>295849</b> Ring-Piston, Oil, .020" O.S. (w/expander)	<b>35</b>	<b>65906</b>	Spring-Intake Valve
<b>297707</b>		Ring Set-Piston-.030" O.S. Consists of: <b>211243</b> Ring-Piston, Comp., Top, .030" O.S. <b>211246</b> Ring-Piston, Comp., Center, .030" O.S. <b>211249</b> Ring-Piston, Oil, .030" O.S.	<b>295855</b>		Ring Set-Piston-.030" O.S. Consists of: <b>210897</b> Ring-Piston, Comp., Top & Center, .030" O.S. <b>295851</b> Ring-Piston, Oil, .030" O.S. (w/expander)	<b>36</b>	<b>65906</b>	Spring-Exhaust Valve <b>Note:</b> <b>26828</b> Spring-Exhaust Valve Used on <b>Model 144400</b> Series type Nos. 0139, 0141, 0143, 0147; also used on <b>Model 145400</b> Series type No. 0152.
		<b>MODEL 145400 SERIES PISTON RING SETS (FOR SLEEVE BORE)</b>	<b>27</b>	<b>68546</b>	Lock-Piston Pin	<b>40</b>	<b>230477</b>	Retainer-Valve Spring <b>Note:</b> <b>292260</b> Rotocap-Exhaust Used on <b>Model 144400</b> Series type Nos. 0139, 0141, 0143, 0147; also used on <b>Model 145400</b> Series type No. 0152.
<b>295852</b>		Ring Set-Piston-Std.	<b>28</b>	<b>295840</b>	Pin Assembly-Standard	<b>43</b>	<b>230476</b>	Pin-Valve Spring Ret. <b>Note:</b> <b>230570</b> Pin-Ex. Valve Rotocap Retainer <b>230569</b> Retainer-Exhaust Valve Rotocap Used on <b>Model 144400</b> Series type Nos. 0139, 0141, 0143, 0147; also used on <b>Model 145400</b> Series type No. 0152.
			<b>29</b>	<b>295838</b>	Rod Assy.-Connecting	<b>45</b>	<b>260125</b>	Tappet-Valve
			<b>30</b>	<b>220837</b>	Dipper-Connecting Rod	<b>46</b>	<b>210728</b>	Gear-Cam
			<b>31</b>	<b>220811</b>	Lock-Conn. Rod Screw	<b>50</b>	<b>210756</b>	Elbow-Intake
			<b>32</b>	<b>92659</b>	Screw-Connecting Rod	<b>51</b>	<b>†68987</b>	Gasket-Intake Elbow
			<b>33</b>	<b>230385</b>	Valve-Exhaust	<b>52</b>	<b>†27828</b>	Gasket-Intake Elbow Mtg.
						<b>53</b>	<b>93128</b>	Screw-Carburetor Mounting Sem
						<b>54</b>	<b>93208</b>	Screw-Intake Elbow Mounting Sem
						<b>55</b>	<b>295272</b>	Housing-Rewind Starter
						<b>56</b>	<b>295871</b>	Pulley-Rewind Starter

† Included in Gasket Set-Part No. 295970.

◆ Included in Carburetor Overhaul Kit-Part No. 291691.

REF. NO.	PART NO.	DESCRIPTION	REF. NO.	PART NO.	DESCRIPTION	REF. NO.	PART NO.	DESCRIPTION
57	294303	Spring--Rewind Starter	73	221796	Screen--Rewind Starter Used after Serial No. 6601171.	91	299200	Body Assy. --Upper Carburetor
58	66564	Rope--Rewind Starter (63" long)				92	99634	Body--Upper Carburetor
	<b>Note:</b>	If longer rope is needed, order No. 66574 and cut to required length.				93	23230	Bushing--Throttle Shaft
59	230228	Pin--Starter Grip				94	4292681	Valve Assembly-- Carburetor Idle
60	66728	Grip--Starter Rope	74	93042	Screw--Rotating Screen Mounting Sem	95	93038	Screw--Throttle and Choke Valve Mtg. Sem
61	68848	Bumper--Starter Pulley	75	220865	Washer--Spring	96	22036	Valve--Throttle
62	93254	Screw--Pulley Bumper Mounting Sem	76	68238	Washer--Ratchet Sealing	97	298882	Shaft and Lever--Throttle
63	260414	Spring--Ratchet	79	296179	Case Assembly--Gear	98	91920	Screw--Machine, Fil. Hd. 8-32 x 5/8"
64	230543	Adapter--Ratchet Spring	80	27884	Gasket--Gear Case to Crankcase Cover	99	26157	Spring--Throttle Adjustment
65	93163	Screw--Rewind Starter Housing Mounting Sem	81	220234	Lock--Gear Case Mounting Screw	100	61967	Stop--Throttle
66	298798	Clutch Assembly-- Rewind Starter Used after Serial No. 6601171.	82	92502	Screw--Cap	101	93043	Pin--Throttle Stop
	<b>Note:</b>	295684 Clutch Assy. -- Rewind Starter Used before Serial No. 6601181.	83	296052	Shaft Assembly--Drive <b>Note:</b> 296298 Shaft Assy. -- Drive Used on Model 144400 Series type No. 0140; also used on Model 145400 Series type No. 0149.	102	27917	Gasket--Carburetor Body
67	211383	Housing--Rewind Starter Clutch Used after Serial No. 6601171.	84	92617	Plug--Breather	103	293477	Float--Carburetor
	<b>Note:</b>	210400 Housing--Rewind Starter Clutch Used before Serial No. 6601181.	85	91386	Screw--Gear Case Cover Mounting	104	423114	Pin--Float Hinge
68	63770	Ball--Clutch	86	296053	Cover Assy.--Gear Case	105	4293478	Valve and Seat-- Fuel Inlet
69	66718	Washer--Starter Clutch, Thrust	87	298423	Seal--Oil	106	68877	Gasket--Fuel Inlet Valve Seat
70	298799	Ratchet--Rewind Starter Clutch Used after Serial No. 6601171.	88	27328	Gasket--Gear Case Cover	107	295874	Body Assembly--Lower Carburetor <b>Note:</b> 299206 Body Assembly-- Lower Carburetor (Choke-A-Matic) Used on Model 144400 Series type Nos. 0133, 0150.
	<b>Note:</b>	296916 Ratchet--Rewind Starter Clutch Used before Serial No. 6601181.	89	91488	Plug--Oil Drain	108	220897	Valve--Choke <b>Note:</b> 22050 Valve--Choke Used on Model 144400 Series type Nos. 0133, 0150; also used on Model 145400 Series type Nos. 0131, 0140, 0151.
71	221653	Washer--Retainer Used after Serial No. 6601171.	90	299201	Carburetor Assembly (Manual Choke) <b>Note:</b> 299203 Carburetor Assy. (Kerosene--Manual Choke) Used on Model 144400 Series type No. 0148; also used on Model 145400 Series type Nos. 0134, 0153. 299205 Carburetor Assy. (Choke-A-Matic) Used on Model 144400 Series type Nos. 0133, 0150. 299209 Carburetor Assy. (Manual Choke) Used on Model 145400 Series type Nos. 0131, 0140, 0151.	109	294874	Shaft and Lever--Choke (Manual) <b>Note:</b> 295702 Shaft Assy. -- Choke Used on Model 145400 Series type Nos. 0131, 0140, 0151. 298883 Shaft Assy. -- Choke (Choke-A-Matic) Used on Model 144400 Series type Nos. 0133, 0150.
	<b>Note:</b>	221301 Washer--Retainer Used before Serial No. 6601181. Uses: 26032 Ring-- Clutch Retainer						

◆ Included in Carburetor Overhaul Kit--  
Part No. 291691.

**144400 to 144453**  
**145400 to 145453**

REF. NO.	PART NO.	DESCRIPTION	REF. NO.	PART NO.	DESCRIPTION	REF. NO.	PART NO.	DESCRIPTION				
110	220899	Washer—Choke Lever	181	69221	Cap—Fuel Tank		89248	Pipe—Fuel (between filters)				
	<b>Note:</b> 22062	Washer—Choke Lever	182	220858	Bracket—Fuel Tank		92655	Tee				
		Used on Model 145400 Series type Nos. 0131, 0140, 0151.	183	291367	Strap Assy.—Fuel Tank			The above fuel pipes and fitting are used on Model 144400 Series type No. 0148; also used on Model 145400 Series type Nos. 0134, 0153.				
111	26229	Spring—Choke Lever		<b>Note:</b> 291490	Strap Assembly—Fuel Tank		297074	Pipe—Fuel				
112	23270	Screw—Choke Lever			Used on Model 144400 Series type No. 0148; also used on Model 145400 Series type Nos. 0134, 0153.			Used on Model 145400 Series type No. 0135.				
113	23222	Nozzle—Carburetor	184	91257	Screw—Machine, Fil. Hd.—1/4-20 x 1-1/2"	188	92272	Screw—Cap, Hex. Hd.—5/16-18 x 3/4"				
114	68887	Packing—Needle Valve	185	90970	Nut—Square—1/4-20	189	90366	Washer—Lock, 5/16 x 1/8 x 1/16"				
117	23227	Nut—Needle Valve Pkg.	186	53029	Connector—Fuel Pipe	200	221760	Guide—Air				
118	230005	Valve—Needle		<b>Note:</b> 67218	Connector—Fuel Pipe (Plastic)	201	260882	Link—Governor				
	<b>Note:</b> 292088	Valve—Needle			Used on Model 145400 Series type Nos. 0140, 0151.	206	230149	Nut—Gov. Control Rod				
		Used on Model 144400 Series type No. 0148; also used on Model 145400 Series type No. 0134.			230318	Connector	207	26855	Spring—Gov. Control Rod			
119	93347	Screw—Throttle Housing Mounting Sem			Used on Model 144400 Series type Nos. 0132, 0151; also used on Model 145400 Series type Nos. 0131, 0147.	208	230841	Rod—Governor Control				
121	291691	Carburetor Overhaul Kit	187	295467	Pipe—Fuel	209	260871	Spring—Governor				
127	220352	Plug—Welch		<b>Note:</b> 295901	Pipe—Fuel	216	260881	Link—Choke				
128	210811	Venturi—Carburetor			Used on Model 144400 Series type Nos. 0015, 0035, 0049, 0115, 0116, 0120, 0121, 0130, 0133, 0134, 0136, 0137, 0139, 0140, 0141, 0144, 0147, 0150; also used on Model 145400 Series type Nos. 0115, 0116, 0120, 0121, 0130, 0132, 0133, 0136, 0137, 0142, 0144, 0148, 0149, 0152.	217	260903	Spring—Choke Link				
157	27840	Gasket—Venturi			296004	Pipe—Fuel (Flexible)	218	221198	Washer—Choke Link			
158	27590	Filter—Carburetor Drain			Uses: 93053	Clamps (2)	219	297656	Gear—Governor			
159	220521	Retainer—Carburetor Drain Filter			Used on Model 144400 Series type Nos. 0132, 0151; also used on Model 145400 Series type No. 0131.	220	221551	Washer—Thrust				
160	294868	Cleaner Assembly—Air			296531	Pipe—Fuel (carburetor to filter)	222	299012	Plate—Control			
161	293991	Bowl—Air Cleaner					227	299165	Lever Assy.—Governor			
162	294863	Cover and Filter—Air Cleaner					229	220680	Washer			
163	127660	Gasket—Air					230	221559	Washer—Spacer			
171	92129	Nut—Hex.—1/4-28					231	93064	Screw—Sem			
172	27795	Gasket—Air Cleaner					240	99910	Filter Assembly—Fuel			
180	290816	Tank Assy.—Fuel (4 quart)						<b>Note:</b> 293964	Filter Assy.—Fuel			
	<b>Note:</b> 291513	Tank Assembly—Combination Fuel							Used on Model 145400 Series type No. 0135.			
		Uses: 22907 Support—Upper Fuel Tank							295984	Filter Assy.—Fuel		
		220863 Washer—Spacer								Uses: 91635	Nipple (To connect filter to tank)	
		(Used between one boss on cyl. head and tank bracket)									Used on Model 145400 Series type Nos. 0131, 0147.	
		Used on Model 144400 Series type No. 0148; also used on Model 145400 Series type Nos. 0134, 0153.									297563	Outlet—Fuel Tank (Less Filter)
											298090	Filter—Fuel (In Fuel Pipe)
												Used on Model 144400

♦ Included in Carburetor Overhaul Kit—Part No. 291691.

† Included in Gasket Set—Part No. 295970.

144400 to 144453  
145400 to 145453

REF. NO.	PART NO.	DESCRIPTION	REF. NO.	PART NO.	DESCRIPTION	REF. NO.	PART NO.	DESCRIPTION
241	99909	Series type Nos. 0132, 0151. Cover Assembly—Fuel <b>Note:</b> 293966 Cover Assembly—Fuel Filter Used on Model 145400 Series type No. 0135. 296005 Cover Assembly—Fuel Filter Used on Model 145400 Series type Nos. 0131, 0147.	271	290568	Lever Assy.—Control	334	93381	Morrison Pelsue Co., P. O. Box 8328, 2001 S. Bannock St., Denver, Colorado, 80223; their Part No. 1252-A. 299366 Armature Assy. Used on Model 144400 Series type No. 0147.
242	295913	Valve—Fuel Shut-Off <b>Note:</b> 293934 Valve—Fuel Shut-Off Used on Model 144400 Series type Nos. 0132, 0151.	300	294599	Muffler—Exhaust <b>Note:</b> 89953 Muffler—Exhaust Used on Model 144400 Series type No. 0141; also used on Model 145400 Series type No. 0133.	337	298809	Screw—Armature Mtg. Sem Plug—Spark (1-1/2" high — 38 M. M.) (with Gasket) <b>Note:</b> 29693 Plug—Spark (2" high — 51 M. M.) (with Gasket) 291954 Plug—Spark (with Gasket) Used on Model 144400 Series type No. 0147.
243	22547	Screen—Fuel Filter	301	91245	Nipple—Exhaust	338	29806	Gasket—Spark Plug
244	53029	Connector—Fuel Pipe <b>Note:</b> 63377 Connector Used on Model 145400 Series type No. 0135. 230318 Connector—Fuel Pipe (plastic) Used on Model 144400 Series type Nos. 0132, 0151; also used on Model 145400 Series type Nos. 0131, 0147.	302	91242	Locknut—Muffler and Elbow	339	29667	Breaker Assy.—Ignition
245	†68477	Gasket—Fuel Filter Bowl	303	91246	Elbow—Muffler—45 degree <b>Note:</b> 91219 Elbow—Muffler, 45 degree, Street Used on Model 144400 Series type Nos. 0138, 0141; also used on Model 145400 Series type Nos. 0139, 0143, 0150. 91464 Elbow—Muffler, 90 degree, Street Used on Model 144400 Series type Nos. 0143, 0149; also used on Model 145400 Series type Nos. 0131, 0137, 0140, 0145, 0146, 0151, 0154.	340	26018	Spring—Breaker Arm
246	298683	Bowl—Fuel Filter	304	294605	Housing—Blower	342	65704	Plunger—Breaker Point
247	99665	Yoke—Fuel Filter	305	93158	Screw—Sem <b>Note:</b> 92666 Screw—Cap, Hex. Hd.—1/4-20 x 1/4" 92778 Washer—Lock Used to mount Blower Housing on Model 144400 Series type No. 0147.	343	29861	Condenser
248	221535	Clamp—Casing	306	221005	Shield—Cylinder	344	93370	Screw—Condenser Mounting Sem
249	290062	Control—Throttle	307	93163	Screw—Cylinder Shield Mounting Sem	345	221046	Cover—Breaker Point
250	65616	Casing—Control Wire—72" long <b>Note:</b> If longer casing is required, specify length in inches; if shorter wire is needed, order No. 65616 and cut to required length.	308	220824	Cover—Cylinder Head <b>Note:</b> 221153 Cover—Cyl. Head Used on Model 145400 Series type Nos. 0132, 0133, 0136, 0142.	346	93014	Screw—Sem
251	26633	Wire—Control—78" long <b>Note:</b> If longer wire is required, specify length in inches; if shorter wire is needed, order No. 26633 and cut to required length.	330	69932	Rope—Starter	347	221808	Switch—Stop
252	63426	Locknut—Control Wire Casing	332	92284	Nut	352	66068	Washer—Insulating
			333	298968	Armature Assembly <b>Note:</b> Armature for Model 144402 Series type No. 0143 is furnished by the equipment manufacturer—	353	92791	Washer—Lock—Shakeproof
						354	90576	Nut—Hex.—8-32
						355	66554	Collar—Insulating
						356	295413	Wire—Ground
						357	91540	Key—Pulley
						358	295970	Gasket Set
						362	291630	Shield—Spark Plug (with stop switch) <b>Note:</b> 66538 Elbow—Spark Plug Used on Model 144400 Series type No. 0143.
						363	19165	Puller—Flywheel (optional accessory)
						378	♦22032	Washer—Needle Valve
						406	260894	Spring—Breather Tube
						411	91474	Plug—Oil Level Hole
						505	92278	Nut—Hex.—1/4-20
						517	295423	Pulley—Rope Starter <b>Note:</b> 297887 Pulley—Rope Starter

† Included in Gasket Set—Part No. 295970.

♦ Included in Carburetor Overhaul Kit—  
Part No. 291691.

**144400 to 144453**  
**145400 to 145453**

REF. NO.	PART NO.	DESCRIPTION	REF. NO.	PART NO.	DESCRIPTION	REF. NO.	PART NO.	DESCRIPTION
		Used on <b>Model 144400</b> Series type No. 0136.			Used on <b>Model 144400</b> Series type No. 0143.			
521	298529	Shielding-Ignition Cable	524	65304	Gasket-Oil Filler	615	93307	Retainer-E-Ring
	<b>Note:</b>	299367 Shielding-Ignition Cable	525	230553	Pipe-Oil Filler	616	230842	Crank-Governor
		Uses: 92704 Terminal-Spark Plug	534	93323	Screw-Air Cleaner	621	297472	Switch-Stop
		66298 Insulator-Spark Plug	535	27987	Element-Air Cleaner	626	230749	Spacer-Governor Crank
		Terminal	536	297036	Cleaner Assembly-Air	655	221014	Anchor-Spring
		Used on <b>Model 144400</b> Series type No. 0147.	537	27994	Gasket-Air Cleaner	657	93496	Screw-Sem
523	295940	Cap Assy.-Oil Filler	552	230843	Bushing-Governor Shaft	682	211516	Shield-Starter Clutch
	<b>Note:</b>	295923 Cap Assy.-Oil Filler	562	92613	Bolt-Governor Lever	687	298957	Slide-Friction Control
			590	93226	Screw-Breaker Mounting	688	221766	Cap-Friction Spring
			592	90356	Nut-Hex.-10-24	689	260847	Spring-Friction
			608	295001	Starter Assy.-Rewind	690	92484	Screw-Machine, Fil. Hd.-10-32 x 1/2
			614	93306	Cotter-Hair Pin	691	221818	Strap-Governor Bracket