

**143300 to 143457****Illustrated Parts List****MODEL SERIES****143300 to 143457**

## TYPE NUMBERS

0110 to 0293

502500 to 502959

**TO FIND****THE CORRECT NUMBER OF THE PART YOU NEED:****FOLLOW THE INSTRUCTIONS BELOW.**

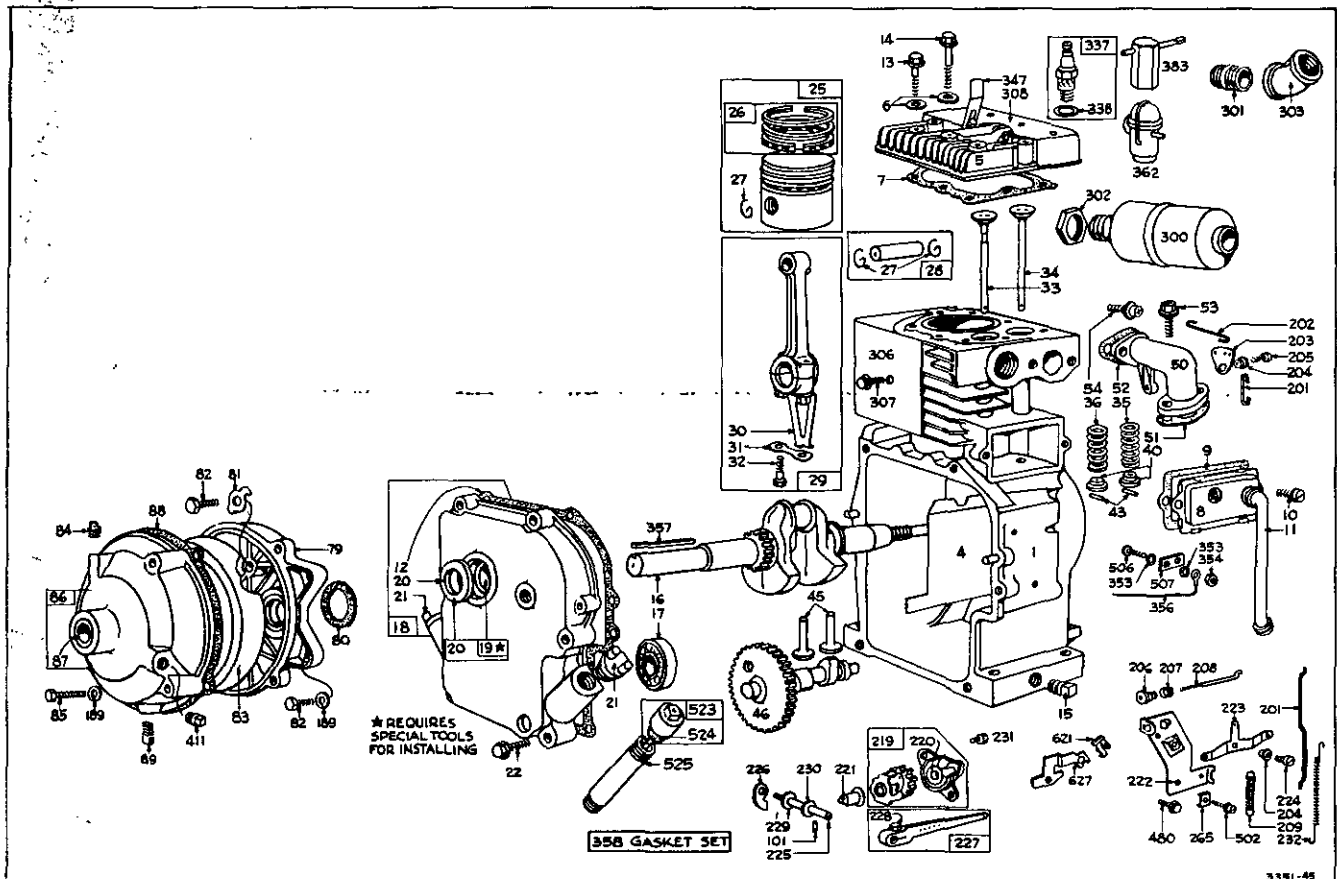
- A. Refer to Engine Model, Type and Serial Number that is stamped on the blower housing or name plate of engine. (Engine type numbers such as 502958 are listed complete. Engine type numbers such as 0147 01 are listed herein only as 0147. The two digits (01 or 02, etc.) to the right of the space are not needed for parts identification). Then use the Illustrated Parts List covering these Model Series.
- B. Refer to Illustrated Parts section and compare the old part with illustration. The number on the illustration is the Reference Number. Assemblies include all parts shown in frames. All parts shown in assembly frames on which individual reference numbers are given can be purchased separately.
- C. After the Reference Number has been identified, refer to the Numerical Parts List, where Reference and Master Part Numbers are listed. **THE MASTER PART IS USED ON ALL TYPE NUMBERS EXCEPT THOSE TYPE NUMBERS UNDER "NOTE"**
- D. If a "Note" appears below the Master Part Number, this means that this part differs from the Master Part for certain types. If the Type Number is listed under "Note", order the part referred to.
- E. If the Engine Type Number does not appear after any part number listed under "Note", use the Master Part Number.
- F. For Type Numbers higher than those covered by this book, please refer to the factory if you are unable to identify the part by comparison.

PRINTED IN U.S.A.

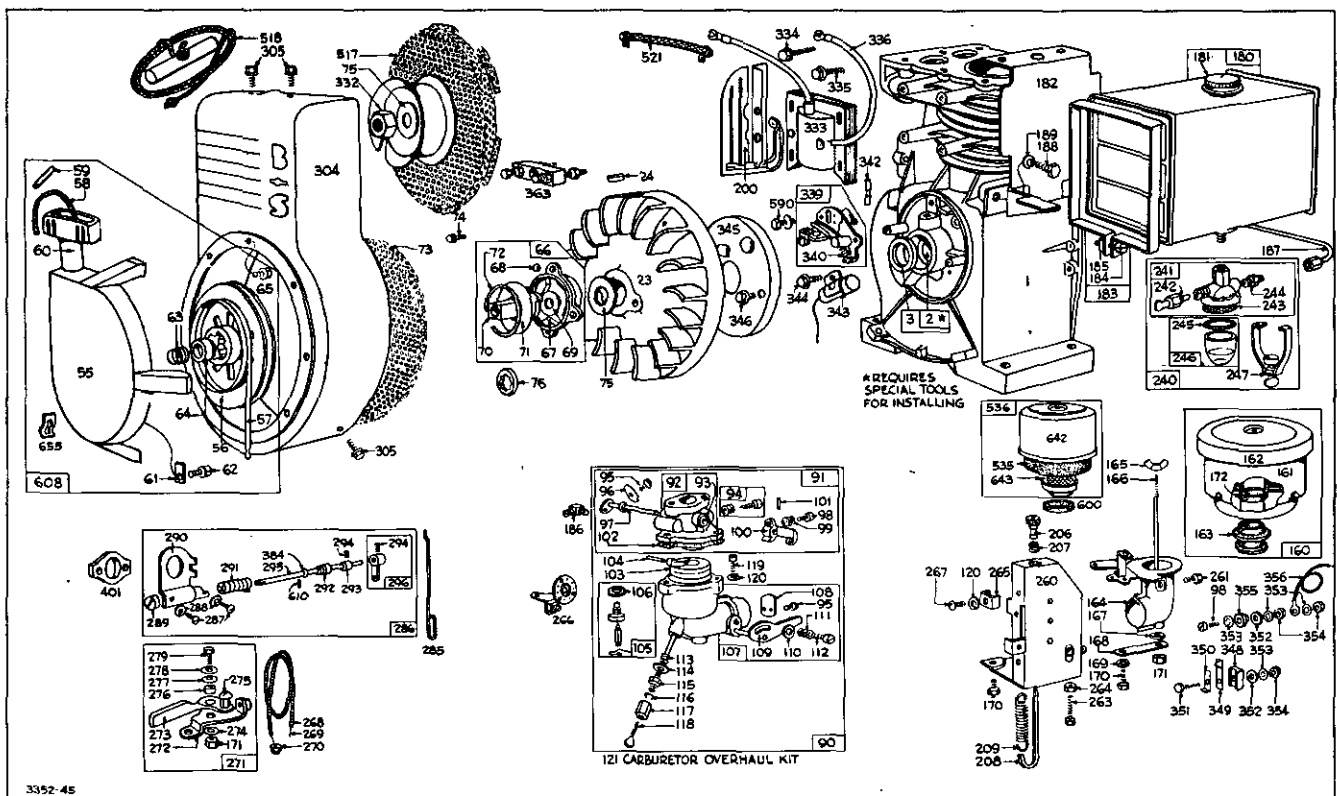


5-9

# 143300 to 143457



Assemblies include all parts shown in frames.



Assemblies include all parts shown in frames.



# 143300 to 143457

REF. NO.	PART NO.	DESCRIPTION	REF. NO.	PART NO.	DESCRIPTION	REF. NO.	PART NO.	DESCRIPTION	
1	<b>296953</b>	Cylinder Assembly <b>Note:</b> <b>297266</b> Cylinder Assy. Used on type Nos. 0143, 0165, 0173, 0178, 0197, 0213, 0220, 0223, 0241, 0244, 0257, 0259, 0262, 0282, 0289, 502543, 502605, 502684, 502695, 502722, 502733, 502744, 502759, 502789, 502805, 502812, 502829, 502835, 502837, 502842, 502849, 502864, 502867, 502876, 502889, 502891, 502892, 502914, 502932, 502936, 502942, 502946, 502951, 502957.	14	<b>93211</b>	where tank bracket mounts to Cylinder Head. Screw - Cylinder Head (2-21/32" long)			502920, 502925, 502928, 502932, 502936, 502946, 502957. <b>260389</b> Crankshaft Used on type Nos. 0120, 0121, 0123, 0139, 0140, 0141, 0142, 0159, 0164, 0178, 0181, 0185, 0187, 0189, 0198, 0203, 0206, 0210, 0214, 0240, 0260, 0276, 502546, 502561, 502566, 502571, 502580, 502582, 502588, 502596, 502602, 502608, 502613, 502614, 502615, 502628, 502630, 502633, 502638, 502643, 502647, 502650, 502652, 502666, 502668, 502674, 502699, 502703, 502704, 502709, 502717, 502719, 502720, 502721, 502724, 502738, 502741, 502744, 502746, 502750, 502751, 502757, 502758, 502783, 502784, 502792, 502794, 502796, 502801, 502841, 502850, 502859, 502878, 502884, 502892, 502896, 502897, 502911, 502915, 502931. <b>260407</b> Crankshaft Used on type Nos. 502528, 502861. <b>260423</b> Crankshaft Used on type Nos. 0161, 0167, 0191, 0192, 0241, 0268, 0273, 0279, 0280, 502543, 502548, 502574, 502606, 502636, 502653, 502684, 502694, 502733, 502734, 502742, 502747, 502767, 502795, 502853, 502865, 502874, 502886, 502930. <b>260425</b> Crankshaft Used on type Nos. 0125, 0126, 0131, 0133, 0147, 0151, 0157, 0168, 0180, 0183, 0186, 0195, 0197, 0199, 0200, 0202, 0208, 0211, 0218, 0225, 0230,	
			15	<b>91084</b>	Plug - Oil Drain <b>Note:</b> <b>93418</b> Plug - Oil Drain Used on type Nos. 0149, 0166, 0278, 0286, 502762, 502812, 502923, 502924.				
			16	<b>260315</b>	Crankshaft <b>Note:</b> <b>260358</b> Crankshaft Used on type Nos. 0115, 0116, 0127, 0128, 0132, 0134, 0135, 0136, 0137, 0143, 0148, 0158, 0171, 0172, 0176, 0188, 0205, 0213, 0220, 0249, 0261, 0263, 0264, 0291, 502535, 502545, 502550, 502562, 502568, 502576, 502585, 502605, 502619, 502631, 502632, 502645, 502646, 502655, 502656, 502659, 502685, 502686, 502690, 502701, 502702, 502722, 502732, 502735, 502745, 502748, 502752, 502789, 502797, 502805, 502810, 502833, 502835, 502838, 502849, 502857, 502873, 502880, 502882, 502927, 502952, 502956. <b>260359</b> Crankshaft Used on type Nos. 0154, 0155, 0162, 0165, 0170, 0175, 0184, 0190, 0201, 0207, 0212, 0217, 0221, 0222, 0223, 0224, 0245, 0255, 0262, 0275, 0283, 502565, 502586, 502589, 502592, 502594, 502601, 502624, 502629, 502641, 502654, 502661, 502678, 502695, 502708, 502713, 502714, 502725, 502736, 502759, 502776, 502802, 502803, 502807, 502808, 502812, 502825, 502839, 502846, 502851, 502876, 502895, 502902, 502914,				
2	<b>295962</b>	Bushing-Cylinder <b>Note:</b> Requires special tools for installation.							
3	<b>294606</b>	Seal-Oil							
4	<b>221001</b>	Plate-Cylinder Baffle							
5	<b>210578</b>	Head-Cylinder							
6	<b>22963</b>	Washer-Plain							
7	<b>*270340</b>	Gasket-Cylinder Head <b>Note:</b> Two No. <b>270340</b> Cylinder Head Gaskets are used on type Nos. 0192, 0218, 0230, 0231, 0239, 0240, 0249, 0252, 0264, 0272, 0280, 502659, 502665, 502680, 502681, 502686, 502688, 502714, 502801, 502806, 502834, 502873, 502930, 502941.							
8	<b>294948</b>	Breather Assembly							
9	<b>*27803</b>	Gasket-Valve Cover							
10	<b>93394</b>	Screw-Breather Mounting Sem							
11	<b>67068</b>	Tube-Breather							
12	<b>*27750</b>	Gasket-Crankcase Cover-1/64" thick							
	<b>*27876</b>	Gasket-Crankcase Cover-.005" thick							
	<b>*27877</b>	Gasket-Crankcase Cover-.009" thick							
13	<b>93210</b>	Screw-Cylinder Head (2-9/32" long) <b>Note:</b> <b>93211</b> Screw-Cylinder Head (2-21/32" long) Used on type No. 502816							

\* Included in Gasket Set-Part No. 295970.

REF. PART NO.	PART NO.	DESCRIPTION	REF. PART NO.	PART NO.	DESCRIPTION	REF. PART NO.	PART NO.	DESCRIPTION
	0231, 0234, 0235, 0237, 0242, 0243, 0244, 0248, 0252, 0254, 0256, 0257, 0258, 0259, 0265, 0270, 0271, 0277, 0282, 0284, 0285, 0288, 0289, 502544, 502557, 502560, 502569, 502570, 502579, 502583, 502591, 502595, 502599, 502604, 502609, 502616, 502620, 502622, 502627, 502639, 502640, 502642, 502648, 502649, 502658, 502662, 502663, 502672, 502673, 502675, 502680, 502681, 502683, 502688, 502691, 502696, 502698, 502700, 502712, 502715, 502718, 502723, 502730, 502737, 502749, 502764, 502766, 502769, 502771, 502774, 502775, 502777, 502778, 502780, 502782, 502785, 502787, 502790, 502793, 502799, 502806, 502813, 502814, 502818, 502822, 502837, 502840, 502842, 502848, 502863, 502864, 502866, 502867, 502871, 502877, 502891, 502905, 502906, 502910, 502913, 502917, 502919, 502922, 502926, 502937, 502938, 502939, 502940, 502941, 502942, 502948.				Used on type Nos. 0138, 0250, 0251, 502677, 502862, 502868. <b>260586</b> Crankshaft Used on type Nos. 502587, 502854. <b>260607</b> Crankshaft Used on type Nos. 0145, 0169, 0228, 0278, 0286, 0290, 0292, 502525, 502731, 502762, 502788, 502817, 502852, 502860, 502898, 502907, 502921, 502923, 502924, 502953, 502958. <b>260609</b> Crankshaft Used on type Nos. 0150, 0177, 502532, 502533, 502567, 502584, 502697, 502779, 502815, 502827, 502889. <b>260644</b> Crankshaft Used on type Nos. 0193, 502836, 502901. <b>260667</b> Crankshaft Used on type Nos. 0266, 502832, 502883.			0151, 0154, 0155, 0157, 0158, 0161, 0162, 0165, 0166, 0167, 0168, 0170, 0171, 0172, 0175, 0176, 0180, 0182, 0183, 0184, 0186, 0188, 0190, 0191, 0192, 0193, 0195, 0199, 0200, 0201, 0202, 0205, 0207, 0208, 0211, 0212, 0213, 0217, 0220, 0221, 0222, 0223, 0224, 0225, 0230, 0231, 0234, 0235, 0237, 0241, 0242, 0243, 0245, 0248, 0249, 0250, 0251, 0254, 0255, 0257, 0258, 0259, 0261, 0262, 0263, 0264, 0265, 0268, 0270, 0271, 0273, 0275, 0277, 0279, 0280, 0282, 0283, 0284, 0285, 0288, 0289, 0291, 502535, 502543, 502544, 502545, 502548, 502557, 502562, 502565, 502570, 502573, 502574, 502576, 502579, 502583, 502585, 502586, 502589, 502591, 502592, 502594, 502595, 502599, 502601, 502605, 502606, 502609, 502616, 502619, 502622, 502624, 502629, 502631, 502632, 502636, 502639, 502640, 502641, 502642, 502645, 502646, 502648, 502649, 502653, 502654, 502655, 502656, 502658, 502659, 502661, 502663, 502671, 502672, 502673, 502675, 502677, 502678, 502680, 502681, 502683, 502684, 502685, 502686, 502688, 502690, 502691, 502694, 502695, 502696, 502698, 502700, 502701, 502702, 502708, 502713, 502714, 502715, 502718, 502722, 502723, 502725, 502732, 502733, 502734, 502735, 502736, 502737, 502742, 502745, 502747, 502748, 502749, 502752, 502759, 502763,
		<b>260467</b> Crankshaft Used on type Nos. 0182, 502573. <b>260472</b> Crankshaft Used on type Nos. 0146, 0149, 0156, 0166, 0209, 0246, 502577, 502578, 502597, 502617, 502625, 502660, 502664, 502671, 502726, 502727, 502739, 502740, 502763, 502786, 502800, 502829, 502879, 502894, 502903, 502904, 502933, 502934, 502949. <b>260508</b> Crankshaft	<b>17 29530</b> Bearing—Ball <b>18 295868</b> Cover Assy.—Crankcase <b>Note:</b> <b>295872</b> Cover Assembly—Crankcase Used on type Nos. 502521, 502626. <b>295876</b> Cover Assembly—Crankcase Used on type Nos. 0160, 0169, 0278, 0286, 0290, 0292, 502520, 502523, 502526, 502527, 502549, 502558, 502587, 502621, 502679, 502682, 502693, 502743, 502762, 502772, 502804, 502817, 502824, 502854, 502870, 502872, 502916, 502923, 502924, 502958. <b>295958</b> Cover Assembly—Crankcase Used on type Nos. 0115, 0116, 0127, 0128, 0132, 0133, 0136, 0137, 0138, 0143, 0147, 0148, 0150,					

# 143300 to 143457

REF. NO.	PART NO.	DESCRIPTION	REF. NO.	PART NO.	DESCRIPTION	REF. NO.	PART NO.	DESCRIPTION	
	502766, 502767, 502769, 502771, 502774, 502775, 502776, 502777, 502778, 502780, 502782, 502785, 502787, 502789, 502790, 502793, 502795, 502797, 502799, 502800, 502802, 502803, 502805, 502806, 502807, 502808, 502810, 502812, 502814, 502818, 502825, 502829, 502833, 502835, 502836, 502837, 502838, 502839, 502840, 502846, 502848, 502849, 502851, 502853, 502857, 502862, 502863, 502864, 502865, 502866, 502867, 502868, 502871, 502873, 502874, 502876, 502879, 502880, 502882, 502886, 502891, 502895, 502902, 502905, 502906, 502910, 502913, 502914, 502917, 502919, 502920, 502922, 502925, 502927, 502928, 502930, 502932, 502934, 502936, 502938, 502939, 502940, 502942, 502946, 502948, 502949, 502952, 502956, 502957.			502757, 502758, 502783, 502784, 502792, 502794, 502796, 502801, 502841, 502859, 502878, 502884, 502892, 502896, 502897, 502911, 502915, 502931.					
	<b>296075</b>	Cover Assembly—Crankcase Used on type Nos. 0120, 0121, 0123, 0139, 0140, 0141, 0142, 0159, 0164, 0178, 0181, 0185, 0187, 0189, 0198, 0203, 0206, 0210, 0214, 0240, 0260, 0276, 502546, 502561, 502566, 502571, 502580, 502582, 502588, 502596, 502602, 502608, 502613, 502614, 502615, 502628, 502630, 502633, 502638, 502643, 502647, 502650, 502652, 502666, 502668, 502674, 502699, 502703, 502704, 502709, 502717, 502719, 502720, 502721, 502724, 502738, 502741, 502744, 502746, 502750, 502751,		<b>296184</b>	Cover Assembly—Crankcase Used on type Nos. 0125, 0126, 0131, 0149, 0177, 0197, 0209, 0218, 0244, 0252, 0256, 502560, 502604, 502617, 502620, 502627, 502660, 502662, 502664, 502712, 502730, 502739, 502764, 502813, 502815, 502822, 502827, 502832, 502842, 502883, 502901, 502903, 502904, 502926, 502933, 502937, 502941.		<b>21</b>	<b>66768</b>	Plug—Oil Filler
	<b>19</b>	<b>295964</b>	Bushing—Crankcase Cover	<b>296256</b>	Cover Assembly—Crankcase Used on type No. 502584.	<b>22</b>	<b>93205</b>	Screw — Crankcase Cover Mounting Sem	
	<b>Note:</b>		Requires special tools for installation.	<b>296321</b>	Cover Assembly—Crankcase Used on type Nos. 0146, 0246, 502577, 502578, 502597, 502625, 502740, 502786.	<b>23</b>	<b>295214</b>	Flywheel	
	<b>20</b>	<b>298423</b>	Seal—Oil	<b>296373</b>	Cover Assembly—Crankcase Used on type Nos. 502532, 502533, 502567.	<b>Note:</b>	<b>296335</b>	Flywheel—Magneto Used on type Nos. 0114, 0130, 0131, 0134, 0135, 0139, 0140, 0169, 0204, 0246; 0278, 502610, 502611, 502620, 502625, 502626, 502630, 502631, 502632, 502633, 502635, 502664, 502667, 502693, 502726, 502740, 502743, 502756, 502766, 502822, 502832, 502856, 502861, 502903, 502953, 502958.	
				<b>297407</b>	Cover Assembly—Crankcase Used on type Nos. 0156, 502877, 502894.	<b>24</b>	<b>61760</b>	Key—Flywheel	
				<b>297533</b>	Cover Assembly—Crankcase Used on type Nos. 502726, 502727, 502850.	<b>25</b>	<b>295842</b>	Piston Assy.—Standard	
				<b>297790</b>	Cover Assembly—Crankcase Used on type No. 502889.	<b>295846</b>		Piston Assembly— .010" O. S.	
						<b>295848</b>		Piston Assembly— .020" O. S.	
						<b>295850</b>		Piston Assembly— .030" O. S.	
						<b>26</b>	<b>295852</b>	Ring Set—Piston—Std. Consists of: <b>210703</b> Ring — Piston, Comp., Top, Std. <b>210601</b> Ring — Piston, Comp., Center, Std. <b>295843</b> Ring — Piston, Oil, Standard (w/expander)	
						<b>295853</b>		Ring Set—Piston— .010" O. S. Consists of: <b>210889</b> Ring — Piston, Comp., Top, .010" O. S. <b>210890</b> Ring — Piston,	

*Under scored to be in heavy size*

**PISTON RING SETS**  
**NOTE: FOR CHROME PISTON RING**  
**STANDARD SIZE -**  
**ORDER PART No. 2984**

REF. NO.	PART NO.	DESCRIPTION	REF. NO.	PART NO.	DESCRIPTION	REF. NO.	PART NO.	DESCRIPTION
		Comp., Center, .010" O.S. <b>295847</b> Ring - Piston, Oil, .010" O.S. (w/expander)						0176, 0178, 0195, 0197, 0205, 0211, 0213, 0220, 0223, 0236, 0241, 0242, 0244, 0253, 0254, 0257, 0259, 0262, 0268, 0282, 0283, 0285, 0288, 0289, 502543, 502589, 502605, 502636, 502671, 502675, 502684, 502695, 502722, 502733, 502742, 502744, 502759, 502767, 502775, 502789, 502800, 502805, 502812, 502829, 502835, 502837, 502842, 502849, 502857, 502864, 502865, 502867, 502876, 502889, 502891, 502892, 502914, 502932, 502936, 502938, 502942, 502946, 502948, 502951, 502956, 502957.
<b>295854</b>		Ring Set-Piston- .020" O.S. Consists of: <b>210893</b> Ring - Piston, Comp., Top, .020" O.S. <b>210894</b> Ring - Piston, Comp., Center, .020" O.S. <b>295849</b> Ring - Piston, Oil, .020" O.S. (w/expander)						
<b>295855</b>		Ring Set-Piston- .030" O.S. Consists of: <b>210897</b> Ring- Piston, Comp., Top, .030" O.S. <b>210898</b> Ring- Piston, Comp., Center, .030" O.S. <b>295851</b> Ring- Piston, Oil, .030" O.S. (w/expander)	<b>34</b>	<b>230386</b>	Valve-Intake <b>Note:</b> <b>230385</b> Valve-Intake Used on type Nos. 0143, 0151, 0161, 0165, 0173, 0176, 0178, 0195, 0197, 0205, 0211, 0213, 0220, 0223, 0236, 0241, 0242, 0244, 0253, 0254, 0257, 0259, 0262, 0268, 0282, 0283, 0285, 0288, 0289, 502543, 502589, 502605, 502636, 502671, 502675, 502684, 502742, 502744, 502759, 502767, 502775, 502789, 502800, 502805, 502812, 502829, 502835, 502837, 502842, 502849, 502857, 502864, 502865, 502867, 502876, 502889, 502891, 502892, 502914, 502932, 502936, 502938, 502942, 502946, 502948, 502951, 502956, 502957.	<b>40</b>	<b>230477</b>	Retainer-Valve Spring <b>Note:</b> <b>292260</b> Rotocap- Exhaust Valve Used on type Nos. 0143, 0151, 0161, 0165, 0173, 0176, 0178, 0195, 0197, 0205, 0211, 0213, 0220, 0223, 0236, 0241, 0242, 0244, 0253, 0254, 0257, 0259, 0262, 0268, 0282, 0283, 0285, 0288, 0289, 502543, 502589, 502605, 502636, 502671, 502675, 502684, 502695, 502722, 502733, 502742, 502744, 502759, 502767, 502775, 502789, 502800, 502805, 502812, 502829, 502835, 502837, 502842, 502849, 502857, 502864, 502865, 502867, 502876, 502889, 502891, 502892, 502914, 502932, 502936, 502938, 502942, 502946, 502948, 502951, 502956, 502957.
<b>27</b>	<b>68546</b>	Lock-Piston Pin						
<b>28</b>	<b>295840</b>	Pin Assy.-Standard						
	<b>295841</b>	Pin Assy.-.005" O.S.	<b>35</b>	<b>65906</b>	Spring-Intake Valve			
<b>29</b>	<b>295838</b>	Rod Assy.-Connecting	<b>36</b>	<b>65906</b>	Spring-Exhaust Valve <b>Note:</b> <b>26828</b> Spring-Exhaust Valve Used on type Nos. 0143, 0151, 0161, 0165, 0173,	<b>43</b>	<b>230476</b>	Pin-Valve Spring Ret. <b>Note:</b> <b>230570</b> Pin-Ex. Valve Rotocap Retainer <b>230569</b> Retainer- Ex. Valve Rotocap Used on type Nos. 0143,
<b>30</b>	<b>220837</b>	Dipper-Connecting Rod						
<b>31</b>	<b>220811</b>	Lock-Conn. Rod Screw						
<b>32</b>	<b>92659</b>	Screw-Connecting Rod						
<b>33</b>	<b>230385</b>	Valve-Exhaust						

# 143300 to 143457

REF. NO.	PART NO.	DESCRIPTION	REF. NO.	PART NO.	DESCRIPTION	REF. NO.	PART NO.	DESCRIPTION
		0151, 0161, 0165, 0173, 0176, 0178, 0195, 0197, 0205, 0211, 0213, 0220, 0223, 0236, 0241, 0242, 0244, 0253, 0254, 0257, 0259, 0262, 0268, 0282, 0283, 0285, 0288, 0289, 502543, 502589, 502605, 502636, 502671, 502675, 502684, 502695, 502722, 502733, 502742, 502744, 502759, 502767, 502775, 502789, 502800, 502805, 502812, 502829, 502835, 502837, 502842, 502849, 502857, 502864, 502865, 502867, 502876, 502889, 502891, 502892, 502914, 502932, 502936, 502938, 502942, 502946, 502948, 502951, 502956, 502957.			<b>92290</b> Washer—Lock (4)	<b>81</b>	<b>220234</b>	Lock—Gear Case Mounting Screw
<b>45</b>	<b>260125</b>	Tappet—Valve	<b>56</b>	<b>295871</b>	Pulley—Rewind Starter	<b>82</b>	<b>92502</b>	Screw—Cap
<b>46</b>	<b>210728</b>	Gear—Cam	<b>57</b>	<b>294303</b>	Spring—Rewind Starter	<b>83</b>	<b>296052</b>	Shaft Assembly—Drive
<b>50</b>	<b>210705</b>	Elbow—Intake	<b>58</b>	<b>66564</b>	Rope—Rewind Starter (63" long)		<b>Note:</b>	<b>296298</b> Shaft Assy.—Drive
<b>51</b>	<b>†*65647</b>	Gasket—Intake Elbow		<b>Note:</b>	If longer rope is needed, order No. 66574 and cut to required length.			Used on type No. 502638.
<b>52</b>	<b>*27828</b>	Gasket—Intake Elbow Mounting	<b>59</b>	<b>230228</b>	Pin—Starter Grip	<b>84</b>	<b>92617</b>	Plug—Breather
<b>53</b>	<b>93329</b>	Screw—Sem	<b>60</b>	<b>66728</b>	Grip—Starter Rope	<b>85</b>	<b>-91386</b>	Screw—Gear Case Cover Mounting
	<b>Note:</b>	<b>93158</b> Screw—Sem Used to mount Belt Guard to Bracket on type Nos. 0236, 0242, 0244, 502813, 502844, 502916, 502950.	<b>61</b>	<b>66918</b>	Bumper—Starter Pulley	<b>86</b>	<b>296053</b>	Cover Assy.—Gear Case
<b>54</b>	<b>93208</b>	Screw—Intake Elbow Mounting Sem	<b>62</b>	<b>93254</b>	Screw—Pulley Bumper Mounting Sem	<b>87</b>	<b>298423</b>	Seal—Oil
	<b>Note:</b>	<b>92683</b> Screw—Intake Elbow Mounting	<b>63</b>	<b>260414</b>	Spring—Ratchet	<b>88</b>	<b>27328</b>	Gasket—Gear Case Cover
		<b>90832</b> Washer—Lock—1/4 x 3/32 x 5/64" Used on type Nos. 0155, 0244, 502752, 502776, 502803, 502829, 502839, 502862, 502902, 502957.	<b>64</b>	<b>230543</b>	Adapter—Ratchet Spring	<b>89</b>	<b>91488</b>	Plug—Oil Drain
<b>55</b>	<b>295272</b>	Housing—Rewind Starter	<b>65</b>	<b>93163</b>	Screw—Rewind Starter Housing Mounting Sem	<b>90</b>	<b>295857</b>	Carburetor Assembly (Manual Choke) Carburetor No. 295857 is used on Model 143300 Series engines except as follows:
	<b>Note:</b>	<b>297663</b> Housing—Rewind Starter Used on type Nos. 0151, 502948. Uses: <b>230581</b> Nut, Mtg. (4)	<b>66</b>	<b>295684</b>	Clutch Assy.—Rewind Starter		<b>Note:</b>	<b>295942</b> Carburetor Assy. (Choke-A-Matic) Used on type Nos. 0129, 0130, 0135, 0140, 0204, 0228, 502516, 502519, 502520, 502522, 502529, 502530, 502539, 502542, 502549, 502553, 502557, 502559, 502575, 502607, 502610, 502622, 502623, 502632, 502633, 502634, 502635, 502667, 502673, 502700, 502716, 502738, 502768, 502773, 502775, 502784, 502809, 502811, 502819, 502820, 502824, 502852, 502855, 502856, 502860, 502913, 502943. <b>296090</b> Carburetor Assy. (Mechanical Governor—Manual Choke) (Used on Model 143400 Series) <b>296557</b> Carburetor Assy. (Kerosene) Used on type Nos. 0192, 0230, 0231, 0239, 0240, 0249, 0264, 0272, 502659, 502665, 502681, 502686, 502688, 502801, 502806, 502834, 502873,
			<b>67</b>	<b>210400</b>	Housing—Rewind Starter Clutch			
			<b>68</b>	<b>63770</b>	Ball—Clutch			
			<b>69</b>	<b>66718</b>	Washer—Starter Clutch, Thrust			
			<b>70</b>	<b>296916</b>	Ratchet—Rewind Starter Clutch			
			<b>71</b>	<b>221301</b>	Washer—Retainer (with flange) (Used in clutches with square shaft ratchet)			
				<b>Note:</b>	<b>220575</b> Washer—Retainer Used in clutches with 7 point ratchet			
			<b>72</b>	<b>26032</b>	Ring—Clutch Retainer			
			<b>73</b>	<b>220823</b>	Screen—Rewind Starter			
			<b>74</b>	<b>93042</b>	Screw—Rotating Screen Mounting Sem			
			<b>75</b>	<b>220865</b>	Washer—Spring			
			<b>76</b>	<b>66688</b>	Washer—Ratchet Sealing (Used with 7 point shank ratchet)			
				<b>Note:</b>	<b>270045</b> Washer—Ratchet Sealing			
					<b>260517</b> Spring—Ratchet Sealing Washer Used on type Nos. 0267, 502727, 502850, 502881, 502931.			
			<b>79</b>	<b>296179</b>	Case Assembly—Gear			
			<b>80</b>	<b>27884</b>	Gasket—Gear Case to Crankcase Cover			

\* Included in Gasket Set—Part No. 295970.

† Included in Carburetor Overhaul Kit—Part No. 295938.





# 143300 to 143457

REF. NO.	PART NO.	DESCRIPTION	REF. NO.	PART NO.	DESCRIPTION	REF. NO.	PART NO.	DESCRIPTION	
		Used on type Nos. 0138, 0155, 0244, 502752, 502776, 502803, 502829, 502839, 502862, 502902, 502957.			502928, 502936, 502946, 502957.				
110	62899	Washer—Choke Lever	114	†68667	Gasket—Nozzle	161	296704	Bowl—Air Cleaner <b>Note:</b> 99926 Bowl—Air Cleaner Used on type No. 502587.	
111	26155	Spring—Choke Lever	115	†23117	Retainer—Needle Valve <b>Note:</b> 292226 Retainer Assy.—Jet Needle	162	296270	Cover and Filter—Air Cleaner <b>Note:</b> 99925 Cover and Filter—Air Cleaner Used on type No. 502587.	
	<b>Note:</b> 260368	Spring—Choke Return (Choke-A-Matic) Used on type Nos. 0129, 0130, 0135, 0140, 0204, 0228, 502516, 502519, 502520, 502522, 502529, 502530, 502539, 502542, 502549, 502553, 502557, 502559, 502575, 502607, 502610, 502622, 502623, 502632, 502633, 502634, 502635, 502667, 502673, 502700, 502716, 502738, 502768, 502773, 502775, 502784, 502809, 502811, 502819, 502820, 502824, 502852, 502855, 502856, 502860, 502913, 502943.		116	†68677	Packing—Needle Valve	163	*27907	Gasket—Air Cleaner Mtg. Used only for Round Oil Bath or Rectangular Foam type Air Cleaners. <b>Note:</b> 27016 Gasket—Air Cleaner Mounting Used on type No. 502587. 27858 Gasket—Air Cleaner Mounting Used on type Nos. 0146, 502526, 502527, 502577, 502578, 502597, 502625, 502643, 502740.
112	23123	Screw—Choke Lever	117	†23118	Nut—Needle Valve Pkng.	164	298595	Pipe Assy.—Air Cleaner (For Round Foam Type) Used after Serial No. 423825 on Model 143300 Series engines except those with Speed Control Housing. (Ref. No. 260) <b>Note:</b> 295378 Pipe Assembly—Air Cleaner (For Oil Bath and Rectangular Foam Type) (Used before Serial No. 423826 only on Model 143300 Series except those with Speed Control Housing (Ref. No. 260) and as listed below).	
113	†296286	Nozzle—Carburetor <b>Note:</b> 296619 Nozzle—Carb. Used on type Nos. 0127, 0128, 0136, 0138, 0154, 0155, 0162, 0165, 0170, 0175, 0183, 0184, 0190, 0201, 0207, 0212, 0217, 0220, 0221, 0222, 0223, 0224, 0245, 0250, 0251, 0255, 0262, 0275, 0283, 502540, 502544, 502562, 502565, 502573, 502586, 502589, 502592, 502594, 502601, 502607, 502624, 502627, 502629, 502641, 502654, 502661, 502678, 502695, 502708, 502713, 502725, 502736, 502752, 502759, 502776, 502802, 502803, 502807, 502808, 502812, 502825, 502833, 502839, 502846, 502851, 502862, 502863, 502866, 502868, 502876, 502895, 502902, 502905, 502914, 502920, 502925,	118	†230009	Valve—Needle <b>Note:</b> 230085 Valve—Needle Used on type Nos. 0192, 0218, 0230, 0231, 0239, 0240, 0249, 0252, 0264, 0272, 0280, 502659, 502665, 502680, 502681, 502686, 502688, 502714, 502801, 502806, 502834, 502873, 502930, 502941.			298410	Pipe Assembly—Air Cleaner (For Round Foam Type Air Cleaner) Used after Serial No. 423825 on Model 1433 Series Engines; also used on Model 1433 Series Engines with
			119	90746	Screw—Machine, Fil. Hd.—10-32 x 5/8" <b>Note:</b> 91359 Screw—Machine, Fil. Hd.—10-32 x 3/4" Used on type Nos. 502574, 502732.				
			120	92290	Washer—Lock—No. 10 x 1/16" x 3/64"				
			121	295938	Carburetor Overhaul Kit				
			160	296434	Cleaner Assembly—Air <b>Note:</b> 99230 Flame Arrestor Used on type No. 502913. 99908 Cleaner Assy.—Air Used on type No. 502587. 296319 Cleaner Assy.—Air United Specialties Label Used on type Nos. 502523, 502577, 502584, 502597, 502602, 502625, 502643, 502726, 502727, 502740.				

\* Included in Gasket Set—Part No. 295970.

† Included in Carburetor Overhaul Kit—Part No. 295938.

REF. NO.	PART NO.	DESCRIPTION	REF. NO.	PART NO.	DESCRIPTION	REF. NO.	PART NO.	DESCRIPTION
		Speed Control Housing. (Ref. No. 260)		<b>230539</b>	Stud (To Elbow) (6-19/32" long)		<b>291513</b>	Tank Assembly— Combination Fuel
	<b>Note:</b>	<b>295593</b> Pipe Assembly— Air Cleaner (For Round Oil Bath or Rectangular Foam Type Air Cleaners) Used before Serial No. 423826 on Model 143400 Series engines; also on Model 143300 Series engines using a Speed Control Housing—(See Ref. No. 260)		<b>230697</b>	Stud (To Carb.) (6-3/16" long) Uses: <b>91168</b> Nut—Hex. 1/4-20 <b>90832</b> Washer— Lock For Mtg. Elbow Used on type Nos. 0146, 502578, 502597, 502625, 502740.		Uses: <b>22907</b> Support— Upper Fuel Tanker + <b>220863</b> Washer— Spacer (Used between one boss on cyl. head and tank bracket)	
		<b>210876</b> Elbow—Air Cleaner Used on type Nos. 502526, 502527, 502577.		<b>230696</b>	Stud—Air Cleaner (5-7/8" long) Used to mount Rectan- gular Air Cleaner before Serial No. 423826 on type Nos. 0156, 0157, 0183, 0226, 0243, 502544, 502574, 502753, 502823, 502846, 502847, 502909, 502921, 502935, 502936, 502939, 502940.		502659, 502665, 502680, 502681, 502686, 502688, 502714, 502801, 502806, 502834, 502873, 502930, 502941.	
		<b>211070</b> Elbow—Air Cleaner Used on type Nos. 0146, 502578, 502597, 502625, 502740.		<b>Note:</b>	<b>291488</b> Tank Assembly— Fuel (6 quart) Uses: <b>22907</b> Support— Upper Fuel Tank Used on type Nos. 0198, 0217, 0244, 0245, 0258, 0265, 0267, 0283, 0289, 502550, 502582, 502596, 502608, 502609, 502614, 502641, 502661, 502678, 502685, 502691, 502698, 502699, 502724, 502733, 502749, 502751, 502761, 502769, 502771, 502774, 502793, 502802, 502803, 502812, 502813, 502822, 502849, 502866, 502867, 502874, 502881, 502891, 502892, 502893, 502945.		<b>292415</b> Tank Assy. — Fuel (8 quart) Uses: <b>22907</b> Support— Upper Fuel Tank Used on type Nos. 0152, 502637, 502889.	
<b>165</b>	<b>93453</b>	Nut—Wing	<b>167</b>	<b>66648</b>	Gasket—Air Cleaner Stud	<b>181</b>	<b>69221</b>	Cap—Fuel Tank (Screw-on type)
	<b>Note:</b>	<b>92067</b> Nut—Wing Used before Serial No. 423826 on type Nos. 0156, 0157, 0183, 0226, 0243, 502544, 502574, 502753, 502823, 502846, 502847, 502909, 502921, 502935, 502936, 502939, 502940.	<b>168</b>	<b>22832</b>	Strap—Air Cleaner Pipe	<b>Note:</b>	<b>69961</b> Cap—Fuel Tank (Bayonet type) Used on engines before Serial No. 19401	
		<b>93288</b> Nut—Wing Used with United Specialties Air Cleaner on type Nos. 502523, 502577, 502584, 502597, 502602, 502625, 502643, 502726, 502727, 502740.	<b>169</b>	<b>90832</b>	Washer—Lock, 1/4" x 3/32" x 5/64"		<b>297866</b> Cap—Fuel Tank Used on type Nos. 502816, 502929, 502931.	
		<b>230633</b> Stud—Air Cleaner (8-13/32" long)	<b>170</b>	<b>91468</b>	Screw—Cap, Hex. Hd. — 1/4-20 x 3/8"	<b>182</b>	<b>220858</b>	Bracket—Fuel Tank
	<b>Note:</b>	<b>230539</b> Stud—Air Cleaner Elbow (2)(6-19/32" long) Used on type Nos. 502526, 502527, 502577, 502578.	<b>171</b>	<b>92129</b>	Nut—Hex. —1/4-28	<b>Note:</b>	<b>296511</b> Brkt.—Fuel Tank Used on type Nos: 0113, 0114, 0123, 0130, 0131, 0133, 0134, 0135, 0138, 0139, 0140, 0251, 502514, 502519, 502526, 502567, 502577, 502584, 502604, 502610, 502611, 502620, 502625, 502626, 502630, 502631, 502632, 502633, 502664, 502726, 502743, 502756, 502766, 502778, 502804, 502822, 502861, 502862, 502868, 502882, 502903, 502911, 502915, 502936, 502943.	
<b>166</b>	<b>230633</b>	Stud—Air Cleaner (8-13/32" long)	<b>172</b>	<b>27906</b>	Gasket—Air Cleaner	<b>183</b>	<b>291367</b>	Strap Assy.—Fuel Tank
	<b>Note:</b>	<b>230539</b> Stud—Air Cleaner Elbow (2)(6-19/32" long) Used on type Nos. 502526, 502527, 502577, 502578.	<b>180</b>	<b>290816</b>	Tank Assy.—Fuel (4 quart)	<b>Note:</b>	<b>291490</b> Strap Assembly—	
		Uses: <b>91168</b> Nut—Hex. 1/4-20 <b>90832</b> Washer— Lock For Mtg. Elbow						

# 143300 to 143457

REF. PART NO.	PART NO.	DESCRIPTION	REF. PART NO.	PART NO.	DESCRIPTION	REF. PART NO.	PART NO.	DESCRIPTION
		Fuel Tank Used on type Nos. 0152, 0192, 0198, 0217, 0218, 0230, 0231, 0239, 0240, 0244, 0245, 0258, 0265, 0267, 0283, 0289, 502550, 502582, 502596, 502608, 502609, 502614, 502637, 502641, 502659, 502661, 502665, 502678, 502680, 502681, 502685, 502686, 502688, 502691, 502698, 502699, 502714, 502719, 502724, 502733, 502749, 502751, 502761, 502769, 502771, 502774, 502793, 502801, 502802, 502803, 502806, 502812, 502813, 502822, 502834, 502849, 502866, 502867, 502873, 502874, 502881, 502889, 502891, 502892, 502893, 502930, 502941, 502945.			502726, 502773, 502811, 502812, 502832, 502863, 502883, 502924. <b>67218</b> Connector—Fuel Pipe (Plastic) (between filter and pipe) <b>92800</b> Connector—Filter (Brass) (between carb. and filter) Used on type Nos. 502541, 502813, 502831, 502844, 502869, 502887, 502916, 502950. <b>92800</b> Connector—Filter (between carb. and filter) Used on type Nos. 0151, 0196, 0204, 502675, 502775, 502948.			0257, 0258, 0259, 0260, 0261, 0262, 0263, 0265, 0267, 0268, 0270, 0271, 0273, 0275, 0276, 0277, 0278, 0279, 0282, 0283, 0284, 0285, 0286, 0288, 0289, 0291, 502520, 502521, 502535, 502543, 502544, 502546, 502548, 502549, 502550, 502557, 502558, 502566, 502568, 502569, 502571, 502576, 502579, 502580, 502582, 502583, 502585, 502587, 502588, 502591, 502595, 502596, 502599, 502605, 502606, 502613, 502614, 502615, 502616, 502619, 502622, 502636, 502638, 502639, 502642, 502643, 502644, 502645, 502647, 502648, 502650, 502652, 502653, 502655, 502656, 502658, 502661, 502663, 502666, 502668, 502672, 502674, 502679, 502683, 502684, 502685, 502690, 502692, 502694, 502695, 502696, 502698, 502699, 502700, 502702, 502704, 502705, 502709, 502715, 502717, 502719, 502720, 502721, 502722, 502728, 502731, 502733, 502734, 502735, 502738, 502741, 502742, 502745, 502746, 502747, 502748, 502750, 502758, 502761, 502763, 502767, 502769, 502780, 502782, 502783, 502784, 502787, 502789, 502793, 502795, 502796, 502797, 502799, 502805, 502814, 502816, 502828, 502830, 502835, 502836, 502837, 502840, 502849, 502850, 502853, 502854, 502857, 502858, 502859, 502860, 502864, 502865, 502872, 502874, 502877, 502879, 502880, 502881, 502884, 502888,
			<b>187</b>	<b>294965</b>	Pipe—Fuel <b>Note:</b> <b>29025</b> Pipe—Fuel Used on type Nos. 0290, 0292, 502762. <b>295050</b> Pipe—Fuel Used on type No. 502530. <b>295690</b> Pipe—Fuel Used on Model 143400 Series and on type Nos. 0115, 0116, 0120, 0121, 0125, 0126, 0127, 0128, 0136, 0137, 0141, 0142, 0143, 0146, 0147, 0148, 0149, 0150, 0152, 0154, 0156, 0158, 0159, 0161, 0162, 0164, 0165, 0166, 0167, 0168, 0170, 0171, 0172, 0175, 0176, 0179, 0180, 0181, 0182, 0183, 0184, 0185, 0186, 0187, 0188, 0189, 0190, 0191, 0193, 0195, 0197, 0198, 0199, 0200, 0201, 0202, 0203, 0205, 0206, 0207, 0208, 0209, 0210, 0211, 0212, 0213, 0214, 0217, 0220, 0221, 0222, 0223, 0224, 0225, 0227, 0228, 0234, 0235, 0237, 0238, 0241, 0243, 0245, 0248, 0250, 0254, 0255, 0256,			
<b>184</b>	<b>91257</b>	Screw—Machine, Fil. Hd. — 1/4-20 x 1-1/2"						
<b>185</b>	<b>90970</b>	Nut—Square—1/4-20						
<b>186</b>	<b>63377</b>	Connector—Fuel Pipe <b>Note:</b> <b>63377</b> Connector—Fuel Pipe (between carb. and pipe) <b>92800</b> Connector—Filter (between carb. and filter) Used on type Nos. 502635, 502856, 502948. <b>Note:</b> <b>67218</b> Connector— Fuel Pipe (Plastic) Used between carburetor and fuel pipe on type No. 502635, engines using a flexible fuel pipe. <b>67218</b> Connector—Fuel Pipe (Plastic) Used on type Nos. 0160, 0236, 0242, 0244, 502530, 502553, 502621, 502637, 502657, 502667, 502693,						

REF. PART NO. NO.	DESCRIPTION	REF. PART NO. NO.	DESCRIPTION	REF. PART NO. NO.	DESCRIPTION
	502893, 502894, 502896, 502897, 502907, 502910, 502917, 502929, 502934, 502938, 502942, 502945, 502952, 502956.		502834, 502873, 502930, 502941.		<b>230580</b> Guide—Stop
	<b>295788</b> Pipe—Fuel Used on type Nos. 502523, 502527.		<b>296633</b> Pipe—Fuel Used on type Nos. 502574, 502732.		<b>230253</b> Stop—Control Rod (7/8" long)
	<b>296004</b> Pipe—Fuel (Flexible) Uses: <b>93053</b> Clamps Used on type Nos. 0160, 0196, 0236, 0242, 0244, 502530, 502541, 502553, 502621, 502637, 502667, 502693, 502726, (for steel pipe for type 502726 order part 297168), 502773, 502811, 502812, 502813, 502831, 502844, 502869, 502887, 502916, 502924, 502950.		<b>297091</b> Pipe—Fuel Used on type No. 502752.		<b>93266</b> Fastener—Screw Used on type Nos. 0146, 0149, 0157, 0177, 0190, 0197, 0209, 0221, 0234, 0235, 0257, 0265, 0270, 0289, 502570, 502577, 502578, 502584, 502597, 502608, 502609, 502617, 502624, 502625, 502628, 502660; 502664, 502713, 502718, 502723, 502726, 502727, 502737, 502739, 502740, 502749, 502757, 502774, 502785; <b>7502786</b> ; 7502794, 502813, 502818, 502822, 502827, 502832, 502841, 502842, 502848, 502883, 502901, 502903, 502904, 502926, 502931, 502933, 502937, 502939, 502940.
	<b>296225</b> Pipe—Fuel Used on type Nos. 0113, 0114, 0123, 0130, 0131, 0134, 0135, 0138, 0139, 0140, 0251, 502514, 502519, 502526, 502567, 502577, 502584, 502604, 502610, 502611, 502620, 502625, 502626, 502630, 502631, 502632, 502633, 502664, 502743, 502756, 502766, 502804, 502822, 502861, 502862, 502868, 502882, 502903, 502915, 502936, 502943.	<b>188</b>	<b>92272</b> Screw—Cap, Hex. Hd. — 5/16-18 x 3/4"	<b>207</b>	<b>26855</b> Spring—Gov. Control Rod
	<b>296537</b> Pipe—Fuel (carburetor to filter)	<b>189</b>	<b>90366</b> Washer—Lock, 5/16 x 1/8 x 1/16"	<b>208</b>	<b>230460</b> Rod—Governor Control (Used on Model 143300 Series only)
	<b>89248</b> Pipe—Fuel (between filters)	<b>192</b>	<b>91397</b> Nut—Hex. —5/16-18		<b>Note:</b> <b>230499</b> Rod—Governor Control Used on type Nos. 502531, 502541, 502558, 502615, 502616, 502679.
	<b>92655</b> Tee The above fuel pipes and fitting are used on type Nos. 0192, 0218, 0230, 0231, 0239, 0240, 0249, 0252, 0264, 0272, 0280, 502659, 502665, 502680, 502681, 502686, 502688, 502714, 502801, 502806,	<b>200</b>	<b>295844</b> Blade—Governor <b>Note:</b> <b>221148</b> Guide—Air (Used on Model 143400 Series)		<b>230559</b> Rod—Governor Control (Used on Model 143400 Series)
		<b>201</b>	<b>260120</b> Link—Governor (Used on Model 143300 Series) <b>Note:</b> <b>260428</b> Link—Governor (Used on Model 143400 Series)	<b>209</b>	<b>260321</b> Spring—Governor (Used on Model 143300 Series) <b>Note:</b> <b>260421</b> Spring—Governor Used on type Nos. 0205, 0213, 502520, 502523, 502526, 502527, 502532, 502567, 502568, 502574, 502587, 502596, 502605, 502722, 502732, 502762, 502779, 502816, 502854, 502857, 502924, 502929.
		<b>202</b>	<b>260383</b> Link—Governor (Used on Model 143300 Series)		<b>260546</b> Spring—Mech. Governor (Used on Model 143400 Series)
		<b>203</b>	<b>221052</b> Crank—Bell		
		<b>204</b>	<b>230117</b> Collar		
		<b>205</b>	<b>92722</b> Screw—Bell Crank Mtg.		
		<b>206</b>	<b>230533</b> Nut—Gov. Control Rod (Used on Model 143300 Series) <b>Note:</b> <b>230149</b> Nut—Governor Control Rod Used on Model 143400 Series and on type Nos. 502531, 502541, 502545, 502558, 502615, 502616, 502679.		

# 143300 to 143457

REF. NO.	PART NO.	DESCRIPTION	REF. NO.	PART NO.	DESCRIPTION	REF. NO.	PART NO.	DESCRIPTION
219	296688	Governor Housing and Gear Assembly			Used on type Nos. 0160, 502553, 502621, 502637, 502657, 502811, 502812, 502883.	241	99909	Used on type No. 0236. Cover Assembly—Fuel
220	221361	Washer—Thrust (.030" thick)			296031 Filter Assy.—Fuel (at Carburetor)	<b>Note:</b>	21145	Cover—Fuel Filter
	<b>Note:</b>	220673 Washer—Thrust (1/16" thick)			Used on type Nos. 0196, 502541, 502635, 502813, 502831, 502844, 502869, 502887, 502916, 502950.			Uses: 91635 Nipple (Between carb. elbow and filter cover)
221	230177	Cup—Governor			298090 Filter—Fuel			Used on type Nos. 0196, 0204, 502541, 502635, 502813, 502831, 502844, 502856, 502869, 502887, 502916, 502950.
222	221144	Bracket—Mech. Governor			Used in fuel pipe on type Nos. 0236, 0242, 0244, 502693, 502726, 502924.			293966 Cover Assembly—Fuel Filter
223	221145	Lever—Governor Control			297563 Outlet—Fuel Tank (less filter)			Used on type Nos. 0113, 0114, 0123, 0130, 0131, 0133, 0134, 0135, 0138, 0139, 0140, 0251, 502514, 502577, 502584, 502604, 502610, 502611, 502620, 502625, 502626, 502630, 502631, 502632, 502633, 502664, 502726, 502743, 502756, 502766, 502778, 502804, 502822, 502861, 502862, 502868, 502882, 502903, 502911, 502915, 502936, 502943.
	<b>Note:</b>	221520 Lever—Governor Control			Includes: 293934 Shut-Off Valve			296005 Cover Assembly—Fuel Filter
		Used on type Nos. 0177, 502827.			230318 Connector—Fuel Pipe (opposite shut-off valve)			Used on type Nos. 0160, 502553, 502621, 502637, 502657, 502811, 502812, 502883.
224	91841	Screw—Machine, Fil. Hd.—6-32 x 1/4"			Used as a combination to replace tank outlet and fitting assembly on type Nos. 0196, 0236, 0242, 0244, 502541, 502693, 502813, 502831, 502844, 502869, 502887, 502916, 502950.	242	295913	Valve—Fuel Shut-Off
225	230526	Shaft—Governor Lever			297563 Outlet—Fuel Tank (less filter)	<b>Note:</b>	293934	Valve—Fuel Shut-Off
226	220381	Follower—Gov. Crank			Includes: 293934 Shut-Off Valve			Used with tank outlet 297563.
227	296087	Lever Assy.—Governor			53029 Connector—Fuel Pipe (steel)			Outlet (see Ref. No. 240 under note) on type Nos. 0196, 0204, 0236, 0242, 0244, 502541, 502635, 502693, 502726, 502813, 502831, 502844, 502856, 502869, 502887, 502916, 502950.
228	93100	Screw—Governor Lever			Used as a combination to replace tank outlet and fitting assembly on type Nos. 0204, 502635, 502856.			Some type No. 502635 engines used part number 67218 Connector for flexible fuel pipe.
229	220680	Washer—Thrust			297563 Outlet—Fuel Tank (less filter)			67218 Connector (Plastic)
230	22826	Washer—Spacer			Used on type Nos. 502726, 502924 with flexible fuel pipe.			298090 Filter—Fuel (in Fuel Pipe)
231	93064	Screw—Governor Housing to Crankcase Cover Mounting Sem						
232	260178	Spring—Governor Link						
240	99910	Filter Assembly—Fuel						
	<b>Note:</b>	293964 Filter Assy.—Fuel						
		Used on type Nos. 0113, 0114, 0123, 0130, 0131, 0133, 0134, 0135, 0138, 0139, 0140, 0251, 502514, 502577, 502584, 502604, 502610, 502611, 502620, 502625, 502626, 502630, 502631, 502632, 502633, 502664, 502726 (for filter in fuel pipe used on type 502726 order part 298090), 502743, 502756, 502766, 502778, 502804, 502822, 502861, 502862, 502868, 502882, 502903, 502911, 502915, 502936, 502943.						
		295984 Filter Assy.—Fuel						
		Uses: 91635 Nipple (To connect filter to tank)						

REF. NO.	PART NO.	DESCRIPTION	REF. NO.	PART NO.	DESCRIPTION	REF. NO.	PART NO.	DESCRIPTION
		93255 Elbow (brass)			between filter and tank.	<b>285</b>	<b>260505</b>	Link—Automatic Choke
		67218 Elbow (plastic)			<b>230318</b> Connector—Fuel Pipe (plastic)	<b>286</b>	<b>296838</b>	Thermostat Assembly
		Used on some type No. 502635 engines.			Used on type Nos. 0160, 0196, 0236, 0242, 0244, 502553, 502621, 502637, 502811, 502812, 502869, 502883, 502887.	<b>287</b>	<b>90050</b>	Screw—Machine, Rd. Hd.—6-32 x 1/4" x 3/2 x 1/4"
<b>243</b>	<b>22547</b>	Screen—Fuel Filter				<b>288</b>	<b>90362</b>	Washer—Lock—No. 6 x 3/64 x 1/32"
	<b>Note:</b>	<b>62876</b> Screen—Fuel Filter	<b>245</b>	<b>*68477</b>	Gasket—Fuel Filter Bowl	<b>289</b>	<b>23886</b>	Support—Thermostat Shaft (outer)
		Used on type Nos. 0196, 0204, 502541, 502635, 502813, 502831, 502844, 502856, 502869, 502887, 502916, 502950.	<b>246</b>	<b>298683</b>	Bowl—Fuel Filter	<b>290</b>	<b>296837</b>	Bracket and Tube
<b>244</b>	<b>53029</b>	Connector—Fuel Pipe	<b>247</b>	<b>99665</b>	Yoke—Fuel Filter	<b>291</b>	<b>26594</b>	Thermostat
	<b>Note:</b>	<b>63377</b> Connector	<b>258</b>	<b>93062</b>	Screw—Sem	<b>292</b>	<b>23885</b>	Support—Thermostat Shaft (inner)
		Used on type Nos. 0113, 0114, 0123, 0130, 0131, 0133, 0134, 0135, 0138, 0139, 0140, 0204, 0251, 502514, 502577, 502584, 502604, 502610, 502611, 502620, 502625, 502626, 502630, 502631, 502632, 502633, 502635, 502664, 502726 (with metal fuel pipe), 502743, 502756, 502766, 502778, 502804, 502822, 502856, 502861, 502862, 502868, 502882, 502903, 502911, 502915, 502936, 502943.	<b>260</b>	<b>295917</b>	Housing—Speed Control	<b>293</b>	<b>23884</b>	Stop—Thermostat Shaft
		<b>67218</b> Connector (plastic)	<b>261</b>	<b>93105</b>	Screw—Sem	<b>294</b>	<b>92678</b>	Screw—Set Socket Head—6-32 x 5/16"
		Used on the following type numbers when equipped with a flexible fuel pipe: 0196, 502541, 502635, 502726, 502813, 502831, 502844, 502869, 502887, 502916, 502950.	<b>263</b>	<b>93223</b>	Screw—Stop	<b>295</b>	<b>230624</b>	Shaft—Thermostat
		<b>91635</b> Connector (straight)	<b>264</b>	<b>90355</b>	Nut—Hex.—10-32	<b>296</b>	<b>291044</b>	Lever Assy.—Thermostat Tr
		Used between filter and fuel pipe on type Nos. 502675, 502775, 502948.	<b>265</b>	<b>22372</b>	Clamp—Casing	<b>300</b>	<b>294599</b>	Muffler—Exhaust
		<b>92800</b> Connector—Filter (2)	<b>266</b>	<b>291460</b>	Control—Throttle		<b>Note:</b>	<b>89953</b> Muffler—Exhaust
		Used on type Nos. 0133, (502726 with metal fuel pipe), 502778, 502911	<b>267</b>	<b>90080</b>	Screw—Machine, Rd. Hd.—10-32 x 7/16"			Used on type Nos. 0170, 0178, 0197, 0242, 0257, 502637, 502657, 502744, 502754, 502756, 502781, 502842, 502903, 502904, 502908, 502910, 502912, 502936, 502946.
			<b>268</b>	<b>65616</b>	Casing—Control Wire—72" long			<b>296371</b> Muffler—Exhaust
				<b>Note:</b>	If longer casing is required, specify length in inches; if shorter wire is needed, order No. 65616 and cut to required length.			Used on type Nos. 0138, 0155, 0212, 0255, 502752, 502776, 502803, 502839, 502846, 502851, 502862, 502902, 502957.
			<b>269</b>	<b>26633</b>	Wire—Control—78" long			<b>297205</b> Muffler—Exhaust
				<b>Note:</b>	If longer wire is required, specify length in inches; if shorter wire is needed, order No. 26633 and cut to required length.			Used on type Nos. 0146, 502786.
			<b>270</b>	<b>63426</b>	Locknut—Control Wire Casing	<b>301</b>	<b>91245</b>	Nipple—Exhaust
			<b>271</b>	<b>290568</b>	Lever Assy.—Control	<b>302</b>	<b>91242</b>	Locknut—Muffler and Elbow
				<b>Note:</b>	<b>294930</b> Sector and Lever			Used on type Nos. 0144, 0149, 0226, 0243, 502539, 502572, 502657, 502716, 502824, 502879, 502910, 502933, 502939, 502940, 502949.
			<b>272</b>	<b>290584</b>	Base—Control Wire	<b>303</b>	<b>91246</b>	Elbow—Muffler—45 degree
			<b>273</b>	<b>290642</b>	Lever—Control		<b>Note:</b>	<b>91205</b> Elbow—Muffler, 90 degree
			<b>274</b>	<b>91237</b>	Washer—Lock—1/4 x 3/32 x 5/64"			Used on type Nos. 0244, 502588, 502622, 502700.
			<b>275</b>	<b>92287</b>	Screw—Machine, Rd. Hd.—10-32 x 1/4"			<b>91219</b> Elbow—Muffler, 45 degree, Street
			<b>276</b>	<b>22834</b>	Washer—Spacer			Used on type Nos. 0144, 0149, 0226, 0243,
			<b>277</b>	<b>22368</b>	Washer—Control Lever			502539, 502572, 502657, 502716, 502824, 502879, 502910, 502933, 502939, 502940, 502949.
			<b>278</b>	<b>22725</b>	Washer—Control Lever			
			<b>279</b>	<b>92306</b>	Screw—Cap, Hex. Hd.—1/4-28 x 5/8"			

\* Included in Gasket Set—Part No. 295970.

# 143300 to 143457

REF. NO.	PART NO.	DESCRIPTION	REF. NO. - NO.	DESCRIPTION	REF. NO.	PART NO.	DESCRIPTION	
		<p><b>91464</b> Elbow-Muffler, 90 degree, Street Used on type Nos. 0153, 0166, 0197, 0202, 0204, 0219, 0234, 0236, 0253, 0257, 0267, 502539, 502634, 502635, 502637, 502672, 502716, 502729, 502738, 502754, 502756, 502763, 502780, 502781, 502784, 502785, 502800, 502818, 502828, 502842, 502843, 502844, 502855, 502856, 502881, 502908, 502912, 502931, 502934, 502944, 502947, 502949, 502950.</p>		<p>502625, 502626, 502630, 502631, 502632, 502633, 502664, 502667, 502693, 502726, 502740, 502743, 502756, 502766, 502822, 502832, 502861, 502903, 502946, 502953, 502958.</p>				
304	294605	Housing-Blower		<p><b>296516</b> Housing-Blower When ordering this blower housing, order No. 297415 screw and nut kit also, to remount the belt guard. Used on type Nos. 0204, 502635, 502856.</p>				
	<b>Note:</b>	<p><b>221269</b> Housing-Blower Used on type Nos. 0155, 0212, 0223, 0255, 502752, 502776, 502803, 502829, 502846, 502851, 502902, 502957. Uses: <b>221264</b> Plate-Baffle <b>93166</b> Screw-Baffle Plate Mounting (3)</p>		<p><b>297017</b> Housing-Blower Used on type No. 502727.</p>				
		<p><b>296012</b> Housing-Blower When ordering this blower housing, order No. 297415 screw and nut kit also, to remount the belt guard. Used on type Nos. 0113, 0123, 0133, 0251, 502526, 502567, 502577, 502584, 502604, 502778, 502868, 502882, 502911, 502915, 502936, 502943.</p>		<p><b>297127</b> Housing-Blower Used on type Nos. 0177, 0213, 502587, 502722, 502732, 502779, 502816, 502827, 502830, 502831, 502887, 502888, 502929.</p>				
		<p><b>296454</b> Housing-Blower When ordering this blower housing, order No. 297415 screw and nut kit also, to remount the belt guard. Used on type Nos. 0114, 0130, 0131, 0134, 0135, 0139, 0140, 0169, 0246, 0278, 502610, 502611, 502620,</p>		<p><b>297188</b> Housing-Blower Used on type Nos. 0236, 0242, 502813, 502844, 502916, 502950.</p>	306	221005	Shield-Cylinder	
				<p><b>297189</b> Housing-Blower Used on type Nos. 0112, 0132, 0137, 502513, 502530, 502637, 502773, 502810, 502811, 502838, 502839, 502889, 502913.</p>	307	93163	Screw-Cylinder Shield Mounting Sem	
				<p><b>297729</b> Housing-Blower Used on type Nos. 0138, 502862. Uses: <b>221264</b> Plate-Baffle <b>93166</b> Screw-Plate Mtg. (3)</p>	308	220824	Cover-Cylinder Head	
				<p><b>298106</b> Housing-Blower Used on type Nos. 0151, 502948.</p>		<b>Note:</b>	<p><b>221153</b> Cover-Cyl. Head Used on type Nos. 0138, 0170, 0175, 0184, 0190, 0207, 0211, 0217, 0223, 0238, 0245, 0250, 0251, 0265, 0283, 502540, 502583, 502586, 502594, 502624, 502627, 502629, 502637, 502642, 502644, 502658, 502661, 502662, 502677, 502692, 502708, 502725, 502736, 502759, 502774, 502790, 502802, 502803, 502807, 502812, 502829, 502862, 502868, 502910, 502922, 502932, 502946.</p>	
				<p><b>298490</b> Housing-Blower Used on type No. 0244. Uses: <b>221264</b> Plate-Baffle <b>93166</b> Screw-Baffle Plate Mounting (3)</p>	309	296122	Motor-Electric Starter (12 volt) (Electric Auto-Lite No. Med 4001) For Service on these motors see your nearest "Authorized Auto-Lite Service Station".	
					310	93268	Bolt-Case	
					317	296013	Bracket-Starter	
			305	93158	Screw-Sem			







# 143300 to 143457

REF. NO.	PART NO.	DESCRIPTION	REF. NO.	PART NO.	DESCRIPTION	REF. NO.	PART NO.	DESCRIPTION		
517	295423	Pulley—Rope Starter								
518	69932	Rope—Starter			0243, 502544, 502574, 502753, 502823, 502846, 502847, 502909, 502921, 502935, 502936, 502939, 502940.			297171 Bracket—Guard (Lower)		
	<b>Note:</b>	295904 Rope—Starter Used on type No. 502754.						297187 Bracket—Guard (Upper)		
521	297973	Shielding—Ignition Cable Used on ignition cables molded into coil.	536	298681	Cleaner Assembly—Air (Round Foam Type) Used after Serial No. 423825.			Uses: 91439 Screw—Sem To mount Guard Bracket 297171 to Blower Hsg. (2 used)		
523	295940	Cap Assy.—Oil Filler						Used on type Nos. 0236, 0242, 0244, 502813, 502844, 502916, 502950.		
	<b>Note:</b>	295688 Cap Assy.— Oil Filler Used on type No. 502521. 295923 Cap Assy.— Oil Filler Used on type Nos. 502532, 502533, 502567, 502584, 502626, 502889.			<b>Note:</b> 297036 Cleaner Assy.— Air (Rectangular Foam Type) Used before Serial No. 423826 on type Nos. 0156, 0157, 0183, 0226, 0243, 502544, 502574, 502753, 502823, 502846, 502847, 502909, 502921, 502935, 502936, 502939, 502940.	606	221790	Strap—Adjusting (Used after Serial No. 6503171). <b>Note:</b> 221445 Strap—Adjusting (Used before Serial No. 6503181).		
524	65304	Gasket—Oil Filler Cap						220881 Strap—Adjusting Used on starter gener- ator end flange on engines before Serial No. 132142.		
525	230553	Pipe—Oil Filler	589	93171	Screw—Stop Switch Mounting Sem			221443 Strap—Adjusting Used on type Nos. 0236, 0242, 0244, 502813, 502831, 502844, 502887, 502916, 502950.		
	<b>Note:</b>	230525 Pipe—Oil Filler Used on type No. 502521. 230553 Pipe—Oil Filler 230537 Adaptor—Oil Filler Pipe 91847 Screw—Adaptor Pipe Used on type Nos. 502532, 502533, 502567, 502584, 502626, 502889.	590	93226	Screw—Breaker Mtg.			608	295001	Starter Assy.—Rewind <b>Note:</b> 298107 Starter Assy.— Rewind Used on type Nos. 0151, 502948.
			600	270055	Spacer—Air Cleaner Used on Model 143300, 143400 Series engines with No. 297036 Air Cleaner. (Rectangular Foam Type)			610	93337	Pin—Thermostat Shaft
								621	297472	Switch—Stop
535	270209	Element—Air Cleaner (Round Foam Type) Used after Serial No. 423825. <b>Note:</b> 27987 Element—Air Cleaner (Rectangular Foam Type) Used before Serial No. 423826 on type Nos. 0156, 0157, 0183, 0226,	605	298758	Bracket—Guard (Used after Serial No. 6503171). <b>Note:</b> 297170 Bracket—Guard (Used before Serial No. 6503181). 294779 Bracket—Guard Used on type Nos. 502513, 502637 before Serial No. 132142 is re- placed by Starter Brkt. Kit No. 297517.			627	221568	Bracket—Stop Switch
								642	221634	Cover—Air Cleaner
								643	298522	Screen—Air Cleaner
								655	221014	Anchor—Spring
								656	260672	Spring—Idler Arm