

FORM MS-8995

7/94

Industrial/Commercial

Model Series

132200 to 132299

TYPE NUMBERS

0301 through 0303

0311 through 0410

0415 through 0453

2224 through 2266

4001 through 4027

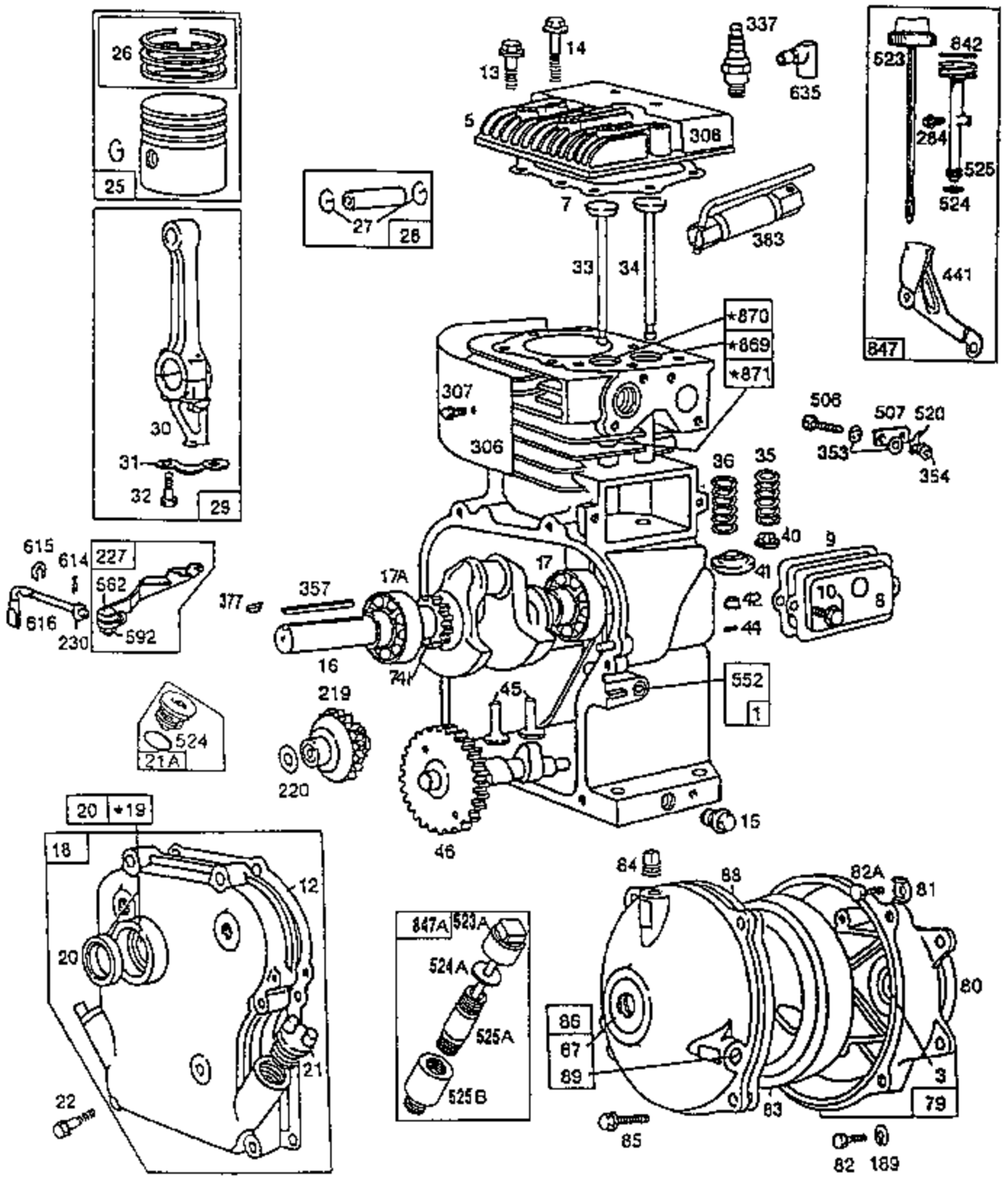
4035 through 4040

4049 through 4051

4060 through 4066

4070 through 4072

4090, 4091

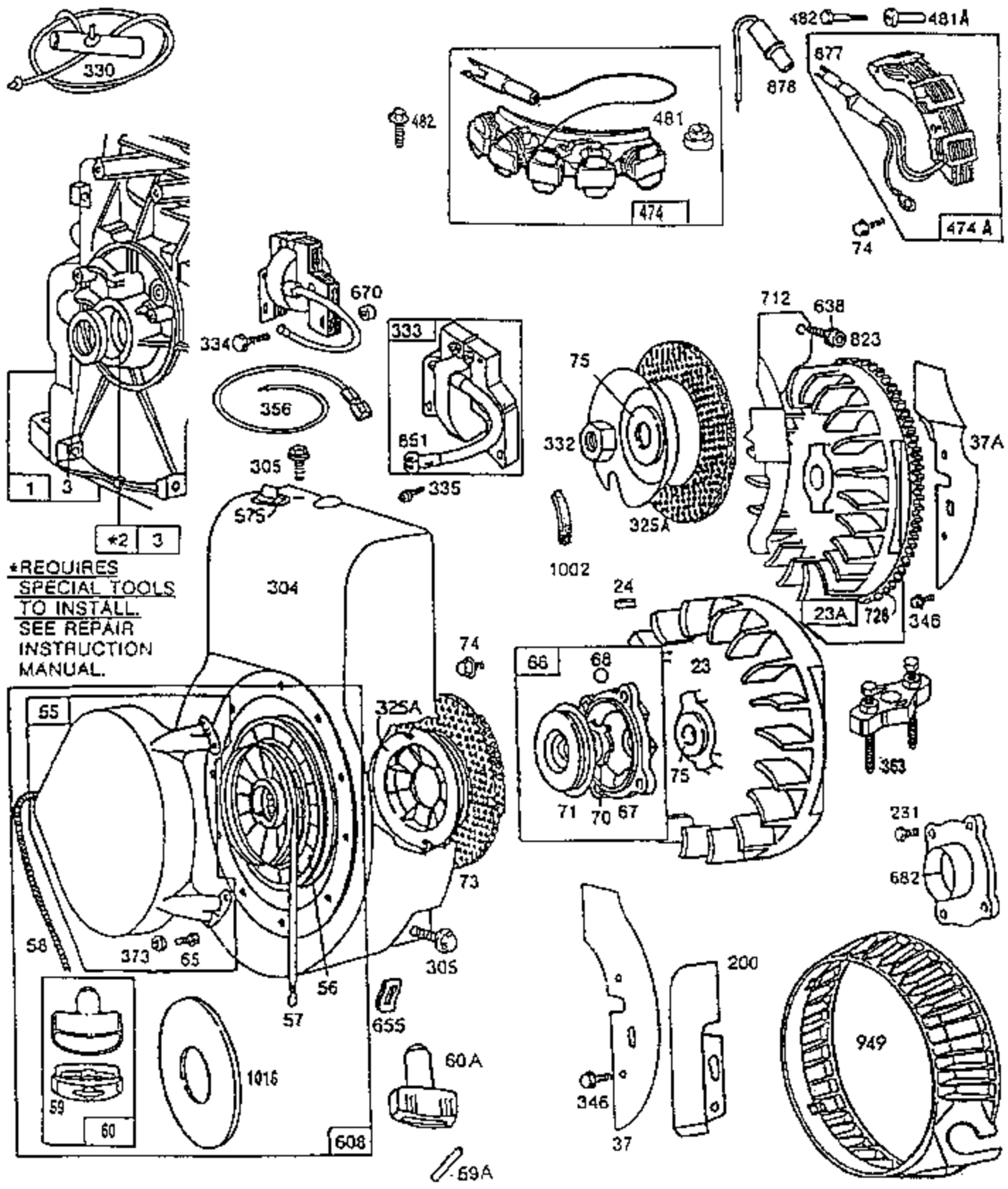


* REQUIRES SPECIAL TOOLS TO INSTALL. SEE REPAIR INSTRUCTION MANUAL.

358 GASKET SET

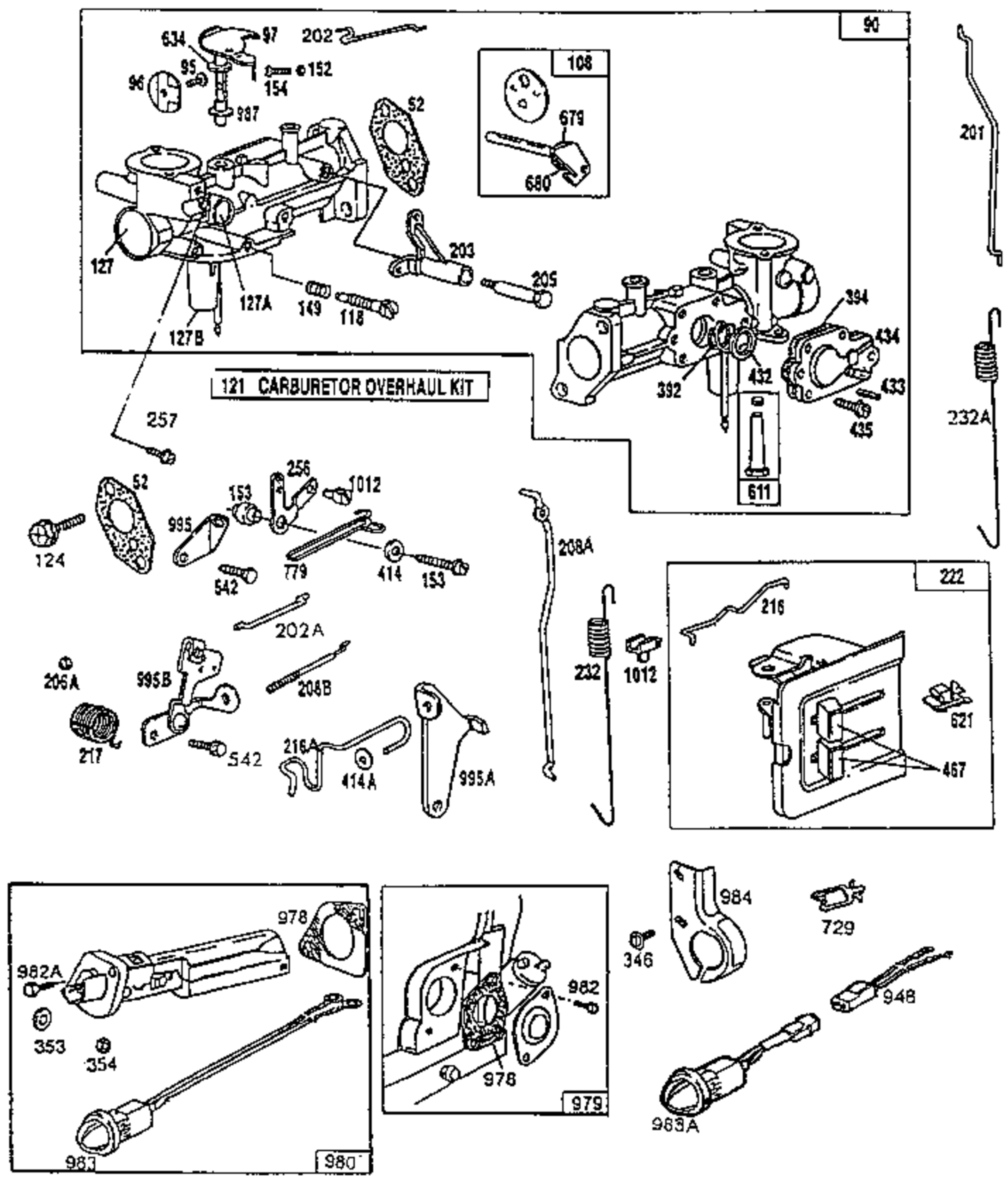
1019 LABEL KIT

Assemblies include all parts shown in frames.

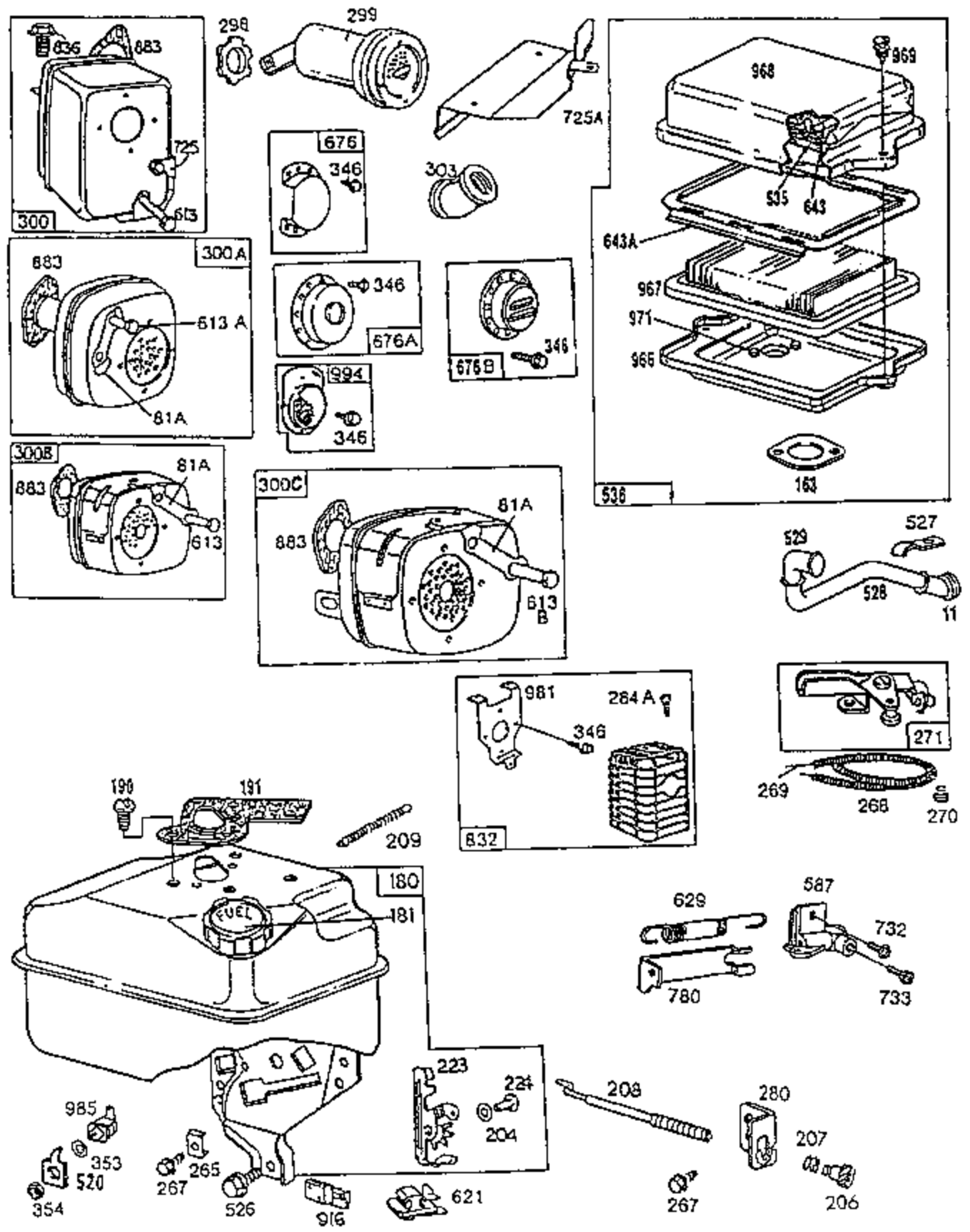


***REQUIRES
SPECIAL TOOLS
TO INSTALL.
SEE REPAIR
INSTRUCTION
MANUAL.**

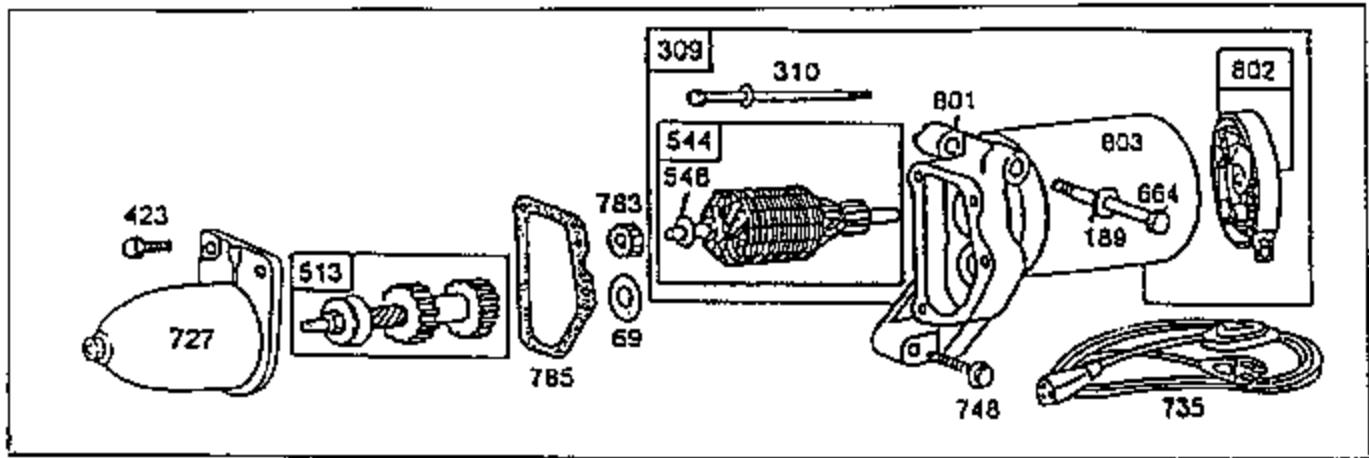
Assemblies include all parts shown in frames.



Assemblies include all parts shown in frames.



Assemblies include all parts shown in frames.



Reference Number	309	313	544	802	803
Starter Motor Mfr.	Motor	Drive Assembly	Armature Assembly	End Cap Assembly Commutator	Housing Assembly
American					
Bosch					
12V	390551*	391029	390467	390485	390468
120V	393842**	391029	-	-	-

*Uses #92813 Lockwasher and # 231082 Hex Nut

**Includes Entire Motor and Drive Assembly

Reference Numbers									
69	310	423	548	664	727	748	783	785	801
Washer	Motor Bolt	Sem. Screw	Washer	Mtg. Screw	Drive Hsg.	Mtg. Screw	Pinion	Gasket	Mtg. Head
93676	93848	93654	93649	93358	390543	93534	230972	270718	390544

Assemblies include all parts shown in frames.

1 495133 Cylinder Assembly
(Used After Code Date
91063000).

Note: 397673 Cylinder Assy.
(Used Before Code Date
91070100).

2 297565 Bushing

Note: Requires Special Tools
For Installation.

3 *299819 Seal - Oil
5 211542 Head - Cylinder
7 *272157 Gasket - Cylinder Head
8 294178 Breather Assembly
9 *27549 Gasket - Breather
10 94621 Screw - Breather Mtg.
11 66578 Grommet
12 *270080 Gasket - Crankcase
(.015" Thick,
Standard)

*270125 Gasket - Crankcase
(.005" Thick)

*270126 Gasket - Crankcase
(.009" Thick)

13 94221 Screw - Cylinder Head
(2 - 3/32" Long)

Note: 93583 Stud - Cylinder
Head
22963 Washer
Used on Type Nos. 0312,
0314, 0322, 0359, 0360,
0366, 0369, 0428, 0430,
0439, 0440, 0441,
0448, 0450, 0453,
2260, 4002, 4003, 4005,
4006, 4007, 4008, 4013,
4015, 4016, 4017, 4019,
4020, 4021, 4024, 4027,
4035, 4036,
4038, 4039, 4049, 4050,
4051, 4060, 4066, 4090,
4091.

14 93369 Screw - Cylinder Head
(2 - 15/32" Long)

Note: 93583 Stud - Cylinder
Head
22963 Washer
Used on Type Nos. 0312,
0314, 0322.

15 94387 Plug - Oil Drain
(Square Head)

Note: 93448 Plug - Pipe
(Hex Socket)
94687 Plug - Oil Drain
(Magnetic)

16 493290 Crankshaft

(Used After Code Date
91063000).
397092 Crankshaft
(Used Before Code Date
91070100).

Note: To Replace
Crankshaft Gear Pin,
Order Part No. 230978.
261227 Crankshaft
(Used After Code Date
91063000).

397099 Crankshaft
(Used Before Code Date
91070100).

Used on Type Nos. 0361,
2250, 4020, 4050.

396820 Crankshaft

Used on Type No. 4017.

397087 Crankshaft
(Used After Code Date
91063000).

492089 Crankshaft
(Used Before Code Date
91070100).

Used on Type Nos. 0312,
0315, 0317, 0324, 0330,
0335, 0337, 0346, 0355,
0375, 0377, 0402, 0406,
0422, 0427,
0433, 2230, 2235, 2253,
4006, 4011, 4035, 4062,
4070, 4072, 4091.

397088 Crankshaft
Used on Type Nos. 0329,
0384.

397095 Crankshaft
(Used After Code Date
91063000).

397094 Crankshaft
(Used Before Code Date
91070100).

Used on Type Nos. 0302,
0319, 0332, 0352, 0379,
0373, 0389, 0403, 0419,
0432, 2224, 2249, 2255,
4001, 4009,
4015, 4021, 4024, 4027,
4049, 4063.

397102 Crankshaft
(Used After Code Date
91063000).

397101 Crankshaft
(Used Before Code Date
91070100).

Used on Type Nos. 0339,
0345, 0364, 0367, 0386,
0387, 0452, 4008, 4071.

492088 Crankshaft
(Used After Code Date
91063000).

397084 Crankshaft
(Used Before Code Date
91070100).

Used on Type Nos. 0303,
0340, 0356, 0368, 0372,
0396, 0434, 4019.

492090 Crankshaft
(Used After Code Date
91063000).

397090 Crankshaft
(Used Before Code Date
91070100).

Used on Type Nos. 0321,
0325, 0328, 0336, 0341,
0350, 0351, 0354, 0357,
0363, 0365, 0374, 0380,
0388, 0391,

0398, 0401, 0404, 0405,
0407, 0415, 0416, 0423,
0431, 0437, 0441, 0442,
0448, 2238, 2239, 2256,
4007, 4014, 4038, 4061.

492926 Crankshaft
(Used After Code Date
91063000).

398318 Crankshaft
(Used Before Code Date
91070100).

Used on Type Nos. 0359,
0362, 0440, 0450, 0453,
2260, 4060.

494035 Crankshaft
(Used After Code Date
91063000).

493980 Crankshaft
(Used Before Code Date
91070100).

Used on Type Nos. 0417,
0425, 0426, 0436, 0443.

494071 Crankshaft
(Used After Code Date
91063000).

494134 Crankshaft
(Used Before Code Date
91070100).

Used on Type No. 0424.

494413 Crankshaft
(Used After Code Date
91063000).

494391 Crankshaft
(Used Before Code Date
91070100).

Used on Type Nos.
0428, 0430.

17 99157 Bearing - Ball
(Magneto Side)

17A 99158 Bearing - Ball
(P.T.O. Side)

18 493610 Cover - Crankcase

Note: 392778 Cover -
Crankcase
Used on Type Nos. 0417,
0425, 0426, 0436, 0440,
0443.

493914 Cover -
Crankcase

Used on Type Nos.
0303, 0340, 0356,
0368, 0396, 0424, 0434,
4019.

493916 Cover -
Crankcase
Used on Model 132212,
132251, and 132252
Series Engines Except
as Listed Under 392778.

19 297603 Bushing
Note: Requires Special Tools
For Installation.

20 393812 Seal - Oil
Note: 294606 Seal - Oil
(Crankshaft) and
391484 Seal - Oil
(Auxiliary P.T.O.)

Shaft)

Used on Type Nos. 0303,
0340, 0356, 0368, 0396,
0424, 0434, 4019.

298504 Seal - Oil

Used on Type Nos. 0359,
0362, 0372, 0428, 0430,
0440, 0450, 0453, 2260,
4060.

495330 Seal - Oil

Used on Type Nos. 0417,
0425, 0426, 0436, 0443.

21	66768	Plug - Oil Fill
21A	399195	Plug - Oil Fill (For High Oil Fill Hole)
22	94607	Screw - Hex. Head
23	297229	Flywheel
23A	390509	Flywheel
24	222698	Key - Flywheel
25	393819	Piston Assembly (Standard)
	393820	Piston Assembly (.010" O.S.)
	393821	Piston Assembly (.020" O.S.)
	393822	Piston Assembly (.030" O.S.)

PISTON RING SETS

26	399067	Ring Set (Std.)
	399014	Ring Set (.010" O.S.)
	399015	Ring Set (.020" O.S.)
	399016	Ring Set (.030" O.S.)
27	26026	Lock - Piston Pin
28	298909	Pin - Piston (Standard)
	298908	Pin - Piston (.005" O.S.)
29	299430	Rod - Connecting
	Note:	For Connecting Rod With .020" Undersize Crankpin Bore - Order No. 390459.
30	221890	Dipper - Connecting Rod
31	221876	Lock - Screw Head
32	92296	Screw - Connecting Rod
33	262464	Valve - Exhaust (Used After Code Date 90051300). 494191 Valve - Exhaust (Used Before Code Date 90051400).

Note: 211119 Valve - Exhaust
Used on Type Nos. 0320,
0323, 0331, 0332, 0337,
0342, 0350, 0355, 0357,
0367, 0377, 0378, 0379,
0383, 0387,
0393, 0396, 0399, 0401,
0406, 0407, 0415, 0416,

0417, 0423, 0424, 0425,
0427, 0429, 0433, 0435,
0443, 0444, 0452, 2253,
2254, 2255, 4010, 4011,
4014, 4015, 4016, 4019,
4022, 4026,
4027, 4040, 4061, 4062,
4063, 4064, 4065, 4070,
4071.

- 34 261044 Valve - Intake
- 35 260552 Spring - Valve
 (Intake)
- 36 262750 Spring - Valve
 (Exhaust)
 (Used After Code Date
 90051300).
 26826 Spring - Valve
 (Used Before Code Date
 90051400).

Note: 26478 Spring - Valve
Used on Type Nos. 0320,
0323, 0331, 0332, 0337,
0342, 0350, 0355, 0357,
0367, 0377, 0378, 0379,
0383, 0387,
0393, 0396, 0399, 0401,
0406, 0407, 0415, 0416,
0417, 0423, 0424, 0425,
0427, 0429, 0433, 0435,
0443, 0444,
0452, 2253, 2254, 2255,
4010, 4011, 4014, 4015,
4016, 4019, 4022, 4026,
4027, 4040, 4061, 4062,
4063, 4064,
4065, 4070, 4071.

- 37 222443 Guard - Flywheel
- 37A 222578 Guard - Flywheel
 (Used on Engines With
 Electric Starters).
- 40 93312 Retainer - Spring
 (Intake)
- 41 491442 Retainer - Valve
 (Exhaust)
 (Used After Code Date
 90051300).
 292259 Retainer -
 Valve
 (Used Before Code Date
 90051400).

Note: 93312 Retainer - Valve
Used on Type Nos.
0320, 0323, 0331, 0332,
0337, 0342, 0350, 0355,
0357, 0367, 0377, 0378,
0379, 0383, 0387, 0393,
0396, 0399,
0401, 0406, 0407, 0415,
0416, 0417, 0423, 0424,
0425, 0427, 0429, 0433,
0435, 0443, 0444, 0452,
2253, 2254,
2255, 4010, 4011, 4014,
4015, 4016, 4019, 4022,
4026, 4027, 4040, 4061,
4062, 4063, 4064, 4065,

		4070, 4071.
42	230127	Retainer - Spring (Used Before Code Date 90051400).
44	230126	Pin - Valve Spring Ret. (Used Before Code Date 90051400).
45	260642	Tappet - Valve
46	212733	Gear - Cam
	Note: 211284	Gear - Cam Used on Type Nos. 0303, 0340, 0356, 0368, 0396, 0424, 4019. 212777 Gear - Cam
		Used on Type No. 0434.
52	*.271936	Gasket - Carb. Mtg. (2)
55	299431	Housing - Rewind Starter
56	295871	Pulley - Starter (Includes 63" Long Rope) If Longer Rope is Required, Order Rope No. 66894 and Cut to Length.
57	490179	Spring - Rewind Starter
58	66884	Rope - Starter (63" Long) If Longer Rope is Required, Order Rope No. 66894 and Cut to Length.
59	490653	Insert - Starter Handle
59A	230228	Pin - Starter Grip
60	490652	Grip - Starter Rope
60A	66728	Grip - Starter Rope
65	94063	Screw - Housing Mtg.
66	399671	Clutch - Starter
67	394897	Housing - Clutch
68	63770	Ball - Clutch
70	298799	Ratchet - Clutch
71	394506	Washer - Retainer
73	221923	Screen - Rotating
74	94062	Screw - Sem
	Note: 93758	Screw - Sem Used on Type Nos. 0312, 0314, 0315, 0325, 0340, 0348, 0358, 0361, 0392, 0402, 0409, 0417, 0421, 0423, 0425, 0443, 0445, 0448, 2250, 4023, 4026.
75	224061	Washer - Flywheel
79	290779	Case Assembly - Gear
80	27667	Gasket - Gear Case
81	220234	Lock - Screw
81A	222263	Lock - Screw
82	91541	Screw - Cap, Hex. Hd. (7/8" Long)
82A	92279	Screw - Cap, Hex. Hd. (1 - 1/2" Long)
83	211293	Shaft and Gear - Drive

84	92617	Plug - Breather
85	92747	Screw - Gear Cover
86	291730	Cover Assy. - Gear
87	19011	Seal - Oil
88	27313	Gasket - Case Cover
89	93448	Plug - Oil Drain
90	492611	Carburetor
95	93499	Screw - Sem
96	223793	Valve - Throttle
97	490048	Shaft - Throttle
108	491177	Valve - Choke
118	231533	Valve - Needle
121	494624	Carburetor Kit
124	93357	Screw - Hex. Head
127	220352	Plug - Welch
127A	223789	Plug - Welch
127B	223472	Plug - Welch

(Used After Code Date
87011100).

Note: 223790 Plug - Welch
(Used Before Code Date
87011200).

149	26336	Spring - Needle Valve
152	260575	Spring - Throttle Adj.
153	490589	Screw and Collar
154	93527	Screw - Round Head
163	271935	Gasket - Air Cleaner
180	492927	Tank - Fuel
181	490075	Cap - Fuel Tank
189	90366	Washer - Lock
190	94094	Screw - Sem
191	*.272410	Gasket - Tank Mounting
200	223886	Guide - Air
201	262280	Link
202	262270	Link
202A	262470	Link
203	280720	Bell Crank
204	222962	Bushing - Lever (Flat)
205	231520	Screw - Shoulder
206	231266	Nut - Control Rod
206A	94081	Stopnut - Hexagon
207	26855	Spring - Control Rod
208	262323	Rod - Control
208A	262279	Rod - Control
208B	262321	Rod - Control
209	262282	Spring - Governor

Note: 262283 Spring - Gov.
Used on Type Nos. 0334,
0358, 0360, 0372, 0397,
0429, 0435, 0444, 0450,
4016, 4039.
262284 Spring - Gov.
Used on Type Nos. 0319,
0320, 4001, 4020, 4051.
262285 Spring - Gov.
Used on Type Nos. 0325,
0351, 0374, 0405, 0417,
0423, 0425, 0426, 0431,
0436, 0443, 2238, 2239,
4038.
262290 Spring - Gov.
Used on Type Nos. 0321,
0328, 0336, 0341, 0350,
0354, 0357, 0363, 0365,
0380, 0388, 0391, 0398,

0401, 0404,
0407, 0409, 0410, 0415,
0416, 0437, 0441, 0442,
0448, 2256, 4007, 4014,
4017, 4061.

216 262359 Link
(Used After Code Date
87030100.)

Note: 262274 Link
(Used Before Code Date
87030200.)

216A 262275 Link

217 262281 Spring - Link

219 494845 Gear - Governor
(Used After Code Date
91060900).

Note: 391737 Gear - Gov.
(Used Before Code Date
91061000).

220 221551 Washer - Thrust

222 490649 Bracket - Control

223 223455 Lever - Gov. Control

224 93491 Rivet - Gov. Control
Lever Mounting

227 490374 Lever Assy. - Governor

230 222450 Washer - Gov. Lever

231 94238 Screw - Sem

232 262310 Spring - Link

232A 262288 Spring - Link

256 223813 Crank - Bell

257 93543 Screw - Hex. Hd. Sem

265 221535 Clamp - Casing

267 93496 Screw - Sem

268 66986 Casing - Wire
(48" Long)

Note: If Longer Casing is
Needed, Specify Length
in Inches; If a
Shorter Casing is
Needed, Order No.
66986 and Cut to
Required Length.

269 26099 Wire - Control
(54" Long)

Note: If Longer Wire is
Needed, Specify Length
in Inches; If Shorter
Wire is Needed, Order
No. 26099 and Cut to
Required Length.

270 63426 Locknut - Casing

271 290568 Lever - Control

280 223798 Bracket - Rod

284 94620 Screw - Hex. Head

284A 93572 Screw - Self Tapping

298 261409 Locknut - Muffler

299 393368 Muffler - Exhaust

Note: 393010 Muffler -
Exhaust
(Round Lo - Tone) Uses:
223327 Bracket -
Muffler
Used on Type No. 0376.

300 396001 Muffler - Exhaust
(Lo - Tone)

300A 493936 Muffler - Exhaust

- 300B 390918 Muffler - Exhaust
- 300C 391313 Muffler - Exhaust
- Note: 391232 Guard - Muffler
 - Uses:
 - 94153 Screw (Guard and Retainer Mounting)
(Used After Code Date 88090200).
 - 93415 Screw (Guard and Retainer Mounting)
(Used Before Code Date 88090300).
 - 93606 Screw (Guard to Muffler Mounting)
 - 222379 Retainer - Muffler
(Used Before Code Date 88090300).
 - 222361 Brace - Muffler
Used on Type Nos. 0358, 0418, 0419, 4071, 4090.
- 303 94089 Elbow - Exhaust, 45
- 304 490341 Housing - Blower
 - Note: 490169 Housing - Blower
Used on Type Nos. 0312, 0314, 0315, 0325, 0337, 0340, 0348, 0352, 0353, 0358, 0385, 0392, 0402, 0409, 0417, 0421, 0423, 0425, 0443, 0445, 0448, 4023, 4026.
 - 491095 Housing - Blower
Used on Type Nos. 0361, 0424, 0428, 0430, 2250, 4016, 4017, 4020, 4050, 4051.
- 305 94786 Screw - Sem
- 306 221511 Shield - Cylinder
- 307 93758 Screw - Cylinder Shield
- 308 221512 Cover - Cylinder Head
- 309 Motor - Starter
See Chart on Illustrated Pages.
- 325 280457 Pulley - Starter
- 325A 299421 Pulley - Starter
- 330 69932 Rope - Starter
- 332 92284 Nut - Flywheel
- 333 397358 Armature - Magneto
- 334 93613 Screw - Sem
- 335 93414 Screw - Sem
- 337 492167 Plug - Spark
(1 - 7/8" High, 48 mm.)
- Note: 293918 Plug - Spark
(1 - 1/2" High, 38 mm.) (Resistor Type)
- 298809 Plug - Spark
(1 - 1/2" High, 38 mm.)
- 802592 Plug - Spark
(1 - 7/8" High, 48 mm.) (Resistor Type)
- 346 93705 Screw - Sem

353 92791 Washer - Lock
 354 90576 Nut - Hex.
 356 398808 Wire - Stop
 357 91539 Key
 358 397145 Gasket Set
 363 19069 Flywheel Puller
 373 92987 Nut - Hex.
 377 93065 Key - Woodruff
 (#6 Key)

Note: 94425 Key - Woodruff
 (#5 Key)

383 89838 Wrench - Spark Plug
 392 262328 Spring - Diaphragm
 394 270026 Diaphragm - Carburetor
 414 220982 Washer
 414A 221198 Washer
 432 221377 Cap - Spring
 433 93265 Pin - Diaphragm Cover
 434 210959 Cover - Diaphragm
 435 93141 Screw - Sem
 441 224240 Bracket - Oil Fill
 467 280715 Knob
 474 494254 Alternator

(Used After Code Date
 91041400).

474A 494254 Alternator
 (Used Before Code Date
 91041500).

481 231767 Bushing - Stator
 (Used After Code Date
 91041400).

481A 230970 Bushing - Stator
 (Used Before Code Date
 91041500).

482 93639 Screw - Sem

506 90200 Screw - Machine Fil.
 Hd.

507 66895 Insulator

520 93722 Terminal

523 494416 Cap - Oil Fill
 (Used After Code Date
 90102800).

Note: 492249 Cap - Oil Fill
 (Used Before Code Date
 90102900).

523A 297357 Cap - Oil Fill

524 271485 Seal - Oil Filler Tube

524A 65304 Gasket - Oil Filler
 Cap

525 280578 Tube - Oil Filler
 (Used After Code Date
 90102800).

Note: 280508 Tube - Oil
 Filler
 (Used Before Code Date
 90102900).

525A 91258 Nipple - Oil Filler

525B 394884 Adapter - Oil Filler
 Pipe

526 94409 Screw - Sem

527 223786 Clamp - Tube

528 231550 Tube - Breather

529 67838 Grommet

535 271933 Filter - Air

536 494279 Cleaner - Air

542 93572 Screw - Self Tap

552	231079	Bushing - Gov. Crank
562	92613	Bolt - Governor Lever
587	213474	Clamp - Cable
592	231082	Nut - Hex.
608	390463	Starter - Rewind
611	391813	Tube - Pick - up
613	94054	Screw - Shoulder Muffler
613A	93935	Screw - Hex. Head
613B	94042	Screw - Muffler
614	93306	Pin - Cotter
615	93307	Retainer - E - Ring
616	231077	Crank - Governor
621	396847	Switch - Stop
629	261137	Spring
634	271853	Washer - Throttle Shaft (Foam)
635	66538	Elbow - Spark Plug
638	93713	Lockwasher
643	280737	Retainer - Air Cleaner
643A	280726	Retainer - Air Cleaner
655	222598	Anchor - Spring
670	261065	Spacer - Armature
676	393757	Deflector - Muffler (Side Outlet)
676A	395700	Deflector - Muffler (Direct Outlet)
676B	393758	Deflector - Muffler (Louvered Outlet)
679	270382	Washer - Foam
680	221839	Washer - Brass
682	211516	Shield - Clutch
712	223140	Guard - Flywheel
725	223303	Shield - Heat
725A	223867	Shield - Heat
726	494548	Gear - Ring (Includes Mtg. Hardware)
729	280590	Clip - Wire
732	94414	Screw - Hex. Head
733	94415	Screw - Hex. Head
735	390900	Cord - Starter
741	261696	Gear - Timing (Plain Bearing)
Note:	262060	Gear - Timing (Ball Bearing)
779	262276	Link - Bell Crank
780	224085	Anchor - Spring
823	93712	Screw - Socket Head
832	490534	Guard - Muffler
836	93559	Screw - Hex. Head
842	270920	Seal - Oil Filler Tube
847	494417	Tube and Dipstick Assy. (Used After Code Date 90102800).
Note:	493367	Tube and Dipstick Assy. (Used Before Code Date 90102900).
847A	493955	Tube and Dipstick Assy.
851	221798	Terminal - Cable
869	211787	Seat - Intake Valve (Standard)
870	211436	Seat - Exhaust Valve (Standard)
871	262001	Guide - Exhaust Valve

Note: 63709 Guide - Intake

Valve

See Repair Instruction
Manual.

877 394251 Wire - Alternator
878 393422 Harness - Alternator
883 *272309 Gasket - Muffler
916 280321 Rack - Governor Gear

Note: 280324 Rack - Governor
Gear

Used on Type Nos. 0361,
0385, 0446, 4020.

948 398661 Harness - Wire
949 280680 Guard - Rewind Starter
966 492797 Base - Air Cleaner
967 491588 Filter - Air
968 223765 Cover - Air Cleaner
969 490073 Screw - Air Cleaner
(Includes Grommet)
971 94018 Screw - Hex. Hd.
978 *271736 Gasket - Cover
979 494807 Cover - Oil Gard
980 398182 Switch - Oil Gard
981 223373 Bracket - Muffler
Guard
982 94658 Screw - Hex. Head
982A 94657 Screw - Hex. Head
983 490489 Light - Indicator
Uses:
280275 Cable Tie
983A 398660 Light - Indicator
984 223773 Bracket - Light
985 398525 Insulator
987 398970 Seal - Throttle Shaft
994 399541 Arrester - Spark
995 223887 Bracket - Control
Lever
995A 223814 Bracket - Link
995B 491577 Bracket - Link
1002 280783 Trim Strip
(Blower Housing)
1012 490507 Retainer - Link
1016 490817 Spacer
1019 491102 Label Kit

* Included in Gasket Set - Part No.
397145.

· Included in Carburetor Kit - Part No.
494624.