

12M800 to 12M899

Illustrated Parts List

Model Series

12M800 to 12M899

TYPE NUMBERS
0650, 0825, 0827,
0850, 5116, 5509,
5516, 5517, 5518,
5519, 5520, 5521,
5522.

TO FIND

THE CORRECT NUMBER OF THE PART YOU NEED: FOLLOW THE INSTRUCTIONS BELOW

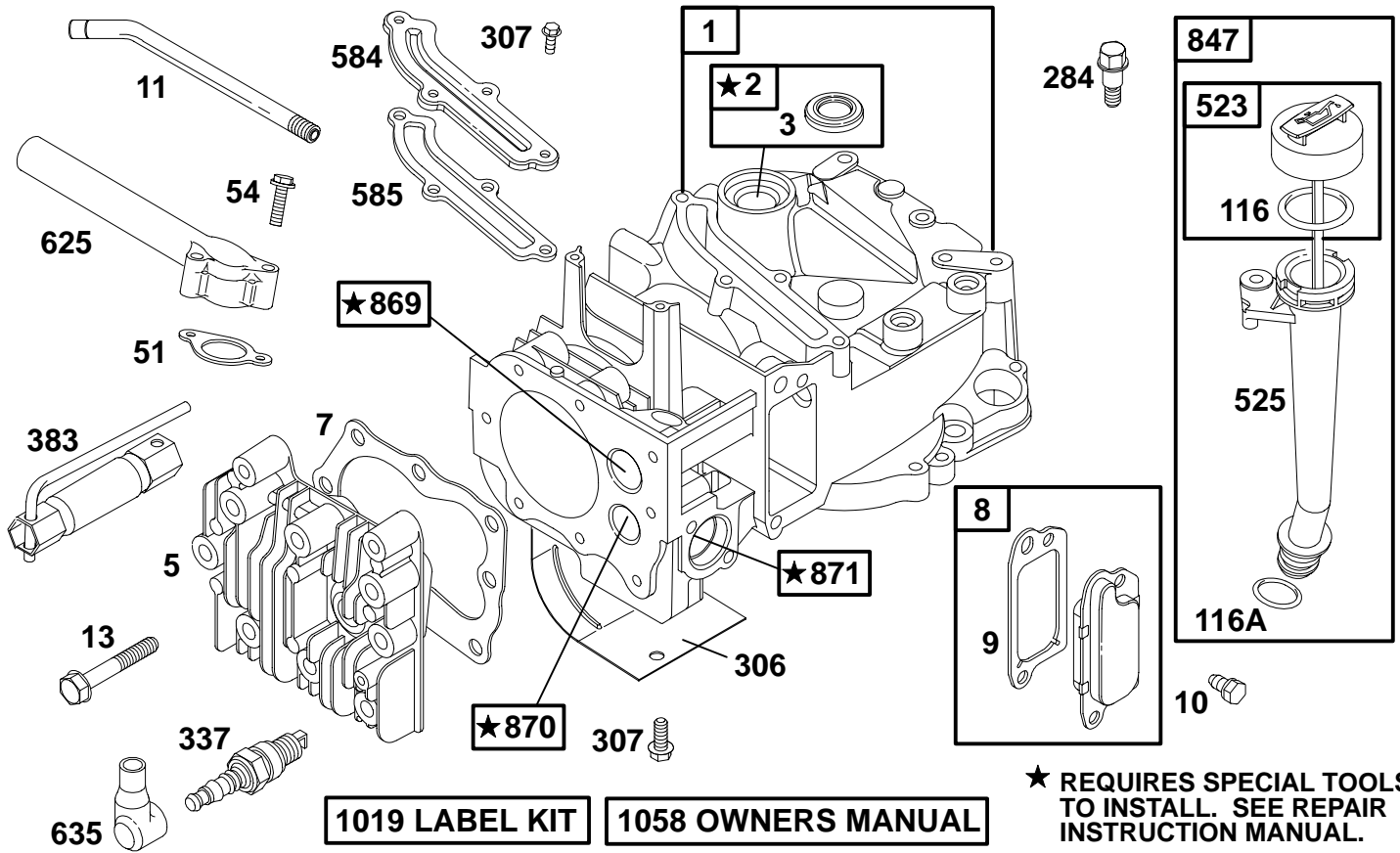
- A. Refer to Engine Model, Type and Code Number that is stamped on the blower housing of engine. Engine type numbers such as 0123 01 are listed only as 0123 in most instances. The two digits (01 or 02, etc.) to the right of the space may be required for more accurate parts identification in some instances. Select the Illustrated Parts List covering the correct Model Series and Type Number.
- B. Refer to the Illustrations and compare the original part with Illustration. The number next to the illustration is the Reference Number. Assemblies include all parts shown in frames. All parts shown in assembly frames having individual reference numbers can be purchased separately.
- C. After the Reference Number has been identified, refer to the Numerical text, where Reference and Primary Part Number are listed. **THE PRIMARY PART IS USED ON ALL TYPE NUMBERS EXCEPT THOSE TYPE NUMBERS UNDER "NOTE."**
- D. If a "Note" appears below the Primary Part Number, it means that this part differs from the Primary Part for certain types. If your Type number is listed under "Note," order the part referred to at the "Note."
- E. If your Engine Type Number does not appear after any part number listed under "Note," use the Primary Part Number.
- F. For Engine Type Numbers not covered by this book, check other Parts Lists having the same engine model or contact your source of supply.

PRINTED IN U.S.A.



COPYRIGHT by BRIGGS & STRATTON CORPORATION
All rights reserved. No part of this material may be reproduced or transmitted, in any form or by any means, electronic or mechanical, including photocopying, recording or by any information storage and retrieval system, without permission in writing from Briggs & Stratton Corporation.

12M800 to 12M899



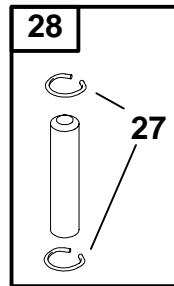
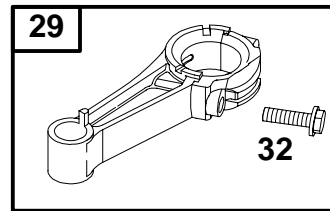
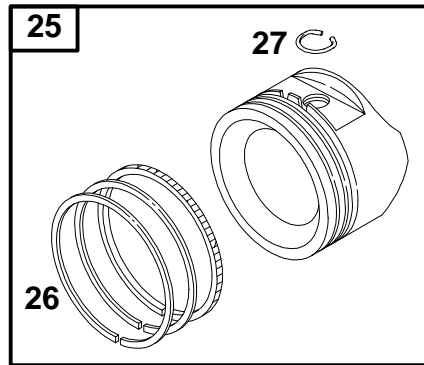
★ REQUIRES SPECIAL TOOLS TO INSTALL. SEE REPAIR INSTRUCTION MANUAL.

REF. NO.	PART NO.	DESCRIPTION	REF. NO.	PART NO.	DESCRIPTION	REF. NO.	PART NO.	DESCRIPTION
1	493260	Cylinder Assembly	284	94511	Screw-Shoulder	847	495263	Dipstick/Tube Assembly
2	293708	Bushing	306	224324	Shield-Cylinder	869	213512	Seat-Valve (Intake)
3	★299819	Seal-Oil	307	94515	Screw-Hex.	870	213513	Seat-Valve (Exhaust)
5	691160	Head-Cylinder	337	802592	Plug-Spark	871	262001	Bushing-Guide (Exhaust Valve)
7	★∅272916	Gasket-Cylinder Head	383	89838	Wrench-Spark Plug			Note
8	495786	Breather Assembly	523	495264	Dipstick			63709 Bushing-Guide (Intake Valve)
9	★∅272481	Gasket-Breather	525	495265	Tube-Oil Fill	1019	494256	Label Kit
10	94955	Screw-Hex.	584	224328	Cover-Breather Passage	1058	272262	Owner's Manual
11	231685	Tube-Breather	585	★272238	Gasket-Breather Passage			
13	94547	Screw-Hex.	625	497465	Manifold-Intake			
51	★272199	Gasket-Intake	635	66538	Boot-Spark Plug			
54	94526	Screw-Hex.						
116	★280393	Seal-O-Ring						
116A	★280966	Seal-O-Ring						

★ Included in Gasket Set-Part No. 497316.
 ● Included in Carburetor Kit-See Ref. No. 121.

◆ Included in Carburetor Gasket Set-See Ref. No. 977.
 ∅ Included in Valve Overhaul Gasket Set-Part No. 498528.

12M800 to 12M899

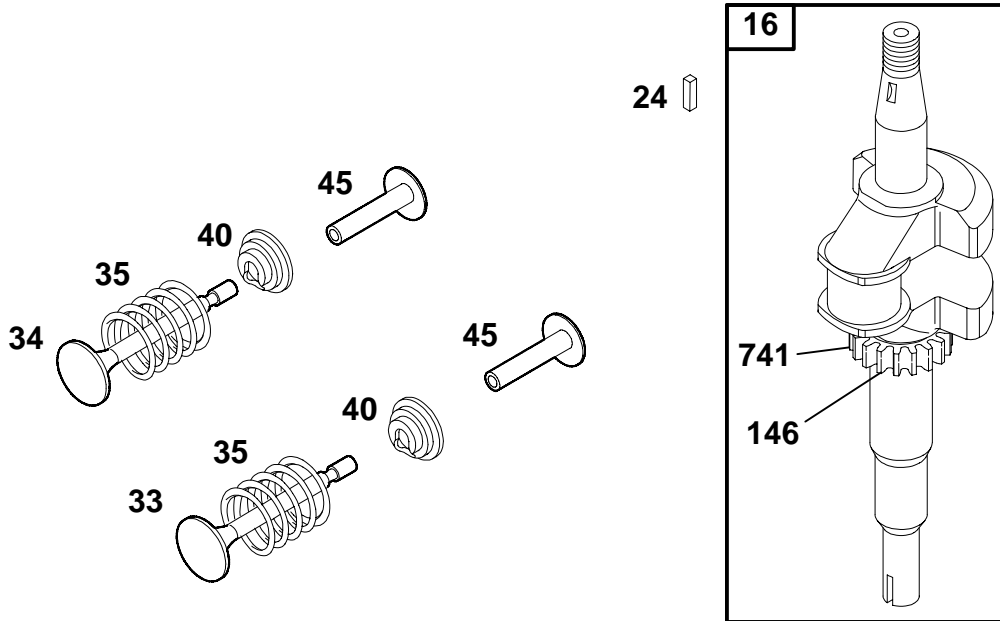


REF. NO.	PART NO.	DESCRIPTION	REF. NO.	PART NO.	DESCRIPTION	REF. NO.	PART NO.	DESCRIPTION
25	499429	Piston Assembly (Standard) (Used After Code Date 97011200). Note 493262 Piston Assy. (Standard) (Used Before Code Date 97011300). 499430 Piston Assy. (.010" O.S.) (Used After Code Date 97011200). 493385 Piston Assy. (.010" O.S.) (Used Before Code Date 97011300). 499431 Piston Assy. (.020" O.S.) (Used After Code Date 97011200). 493386 Piston Assy. (.020" O.S.) (Used Before Code Date 97011300). 499432 Piston Assy. (.030" O.S.) (Used After Code Date 97011200). 493387 Piston Assy. (.030" O.S.) (Used Before Code Date 97011300).	26	499425	Ring Set (Standard) (Used After Code Date 97011200). Note 493261 Ring Set (Standard) (Used Before Code Date 97011300). 499426 Ring Set (.010" O.S.) (Used After Code Date 97011200). 493388 Ring Set (.010" O.S.) (Used Before Code Date 97011300). 499427 Ring Set (.020" O.S.) (Used After Code Date 97011200). 493389 Ring Set (.020" O.S.) (Used Before Code Date 97011300). 499427 Ring Set (.020" O.S.) (Used After Code Date 97011200). 493390 Ring Set (.030" O.S.) (Used Before Code Date 97011300).	27	263190	Lock-Piston Pin (Used After Code Date 97011200). Note 26026 Lock-Piston Pin (Used Before Code Date 97011300). 28
						28	499423	Pin-Piston (Standard) (Used After Code Date 97011200). Note 298909 Pin-Piston (Standard) (Used Before Code Date 97011300). 298908 Pin-Piston (.005" O.S.) (Used Before Code Date 97011300).
						29	499424	Rod-Connecting (Standard) (Used After Code Date 97011200). Note 490566 Rod-Con. (Standard) (Used Before Code Date 97011300). 490743 Rod-Connecting (.020" Undersize) (Used Before Code Date 97011300).
						32	94699	Screw-Connecting Rod

★ Included in Gasket Set-Part No. 497316.
● Included in Carburetor Kit-See Ref. No. 121.

◆ Included in Carburetor Gasket Set-See Ref. No. 977.
⊗ Included in Valve Overhaul Gasket Set-Part No. 498528.

12M800 to 12M899

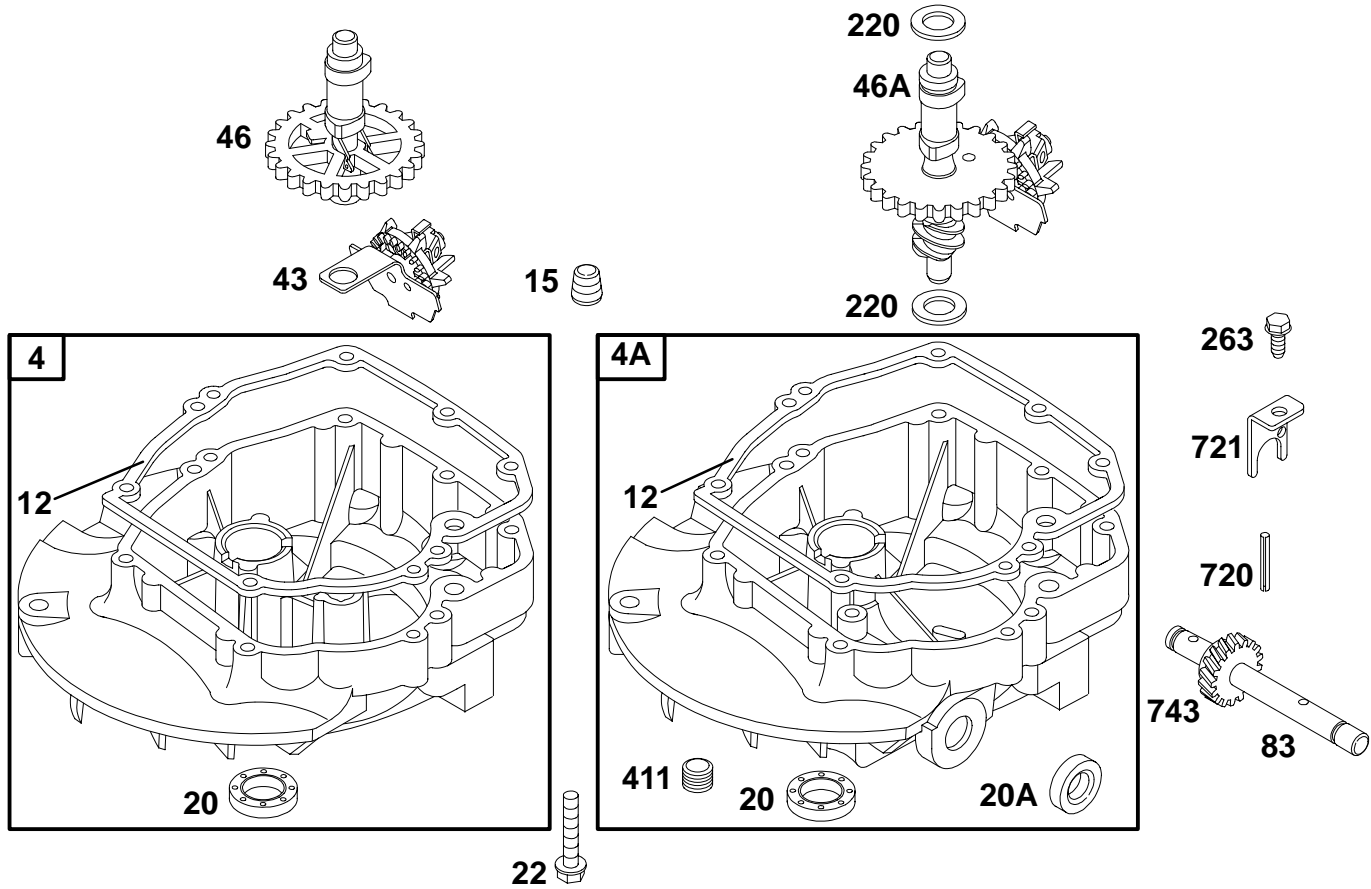


REF. NO.	PART NO.	DESCRIPTION	REF. NO.	PART NO.	DESCRIPTION	REF. NO.	PART NO.	DESCRIPTION
16	498566	Crankshaft (Used After Code Date 97011200). Note 498562 Crankshaft (Used After Code Date 97011200). Used on Type No(s). 5517. 498565 Crankshaft (Used After Code Date 97011200). Used on Type No(s). 0650, 5516, 5519. 498569 Crankshaft (Used After Code Date 97011200). Used on Type No(s). 5518.		493362	Crankshaft (Used Before Code Date 97011300). 493282 Crankshaft (Used Before Code Date 97011300). Used on Type No(s). 5517. 493362 Crankshaft (Used Before Code Date 97011300). Used on Type No(s). 0650, 0850, 5516, 5519. 493946 Crankshaft (Used Before Code Date 97011300). Used on Type No(s). 5518.		24	222698 Key-Flywheel
						33	262651	Valve-Exhaust
						34	262652	Valve-Intake
						35	262224	Spring-Valve
						40	93312	Retainer-Valve
						45	262204	Tappet-Valve
						146	94388	Key-Timing
						741	262598	Gear-Timing

★ Included in Gasket Set-Part No. 497316.
● Included in Carburetor Kit-See Ref. No. 121.

◆ Included in Carburetor Gasket Set-See Ref. No. 977.
⊗ Included in Valve Overhaul Gasket Set-Part No. 498528.

12M800 to 12M899

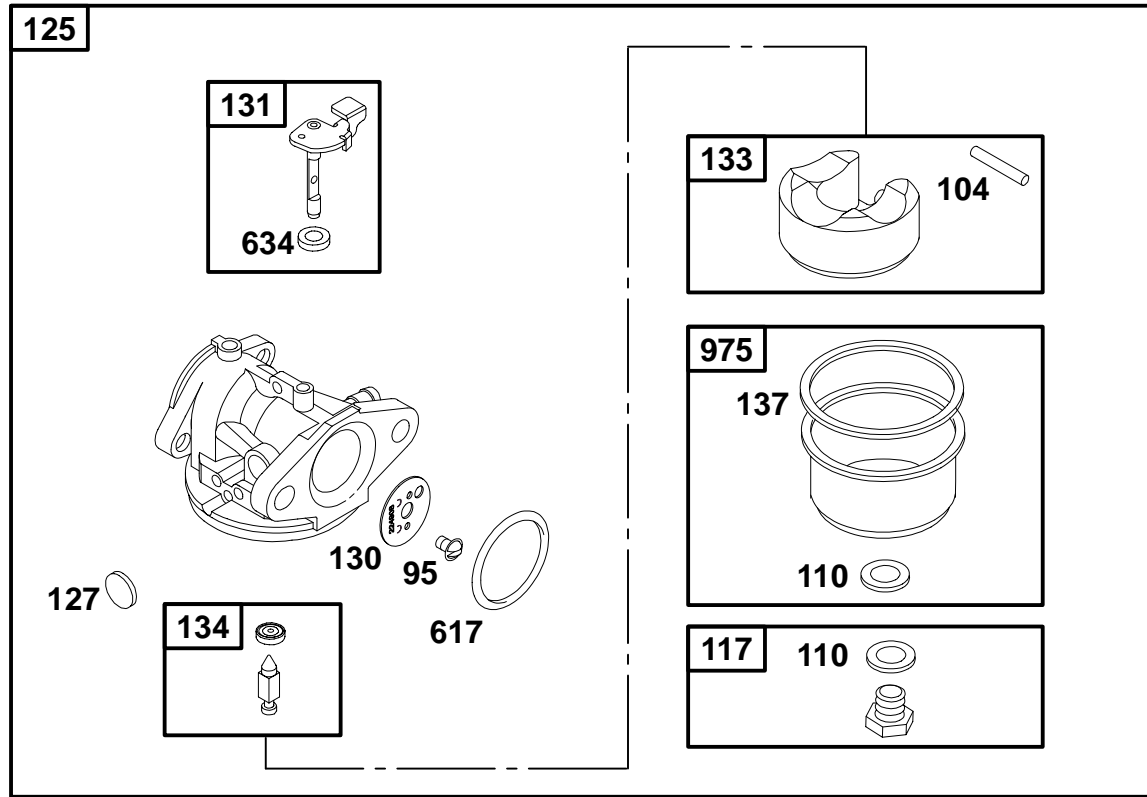


REF. NO.	PART NO.	DESCRIPTION	REF. NO.	PART NO.	DESCRIPTION	REF. NO.	PART NO.	DESCRIPTION
4	493279	Sump-Engine	46	498275	Gear-Cam (Used After Code Date 96060200).	83	231671	Shaft-Auxiliary Drive
4A	493365	Sump-Engine			Note	220	68938	Washer-Thrust
12	★272198	Gasket-Crankcase			492830	720	93474	Pin-Shaft
15	94880	Plug-Oil Drain			(Used Before Code Date 96060300).	721	224249	Stop-Shaft
20	★399781	Seal-Oil	46A	498628	Gear-Cam (Counterclockwise) (Used After Code Date 96060200).	743	231279	Gear-Drive
20A	391484	Seal-Oil			Note			
22	94220	Screw-Hex.			493738			
		Note			(Counterclockwise) (Used Before Code Date 96060300).			
		94612						
		Screw-Hex. (One Used in Hole Nearest Breather)						
43	493737	Governor/Oil Slinger						

★ Included in Gasket Set-Part No. 497316.
● Included in Carburetor Kit-See Ref. No. 121.

◆ Included in Carburetor Gasket Set-See Ref. No. 977.
⊘ Included in Valve Overhaul Gasket Set-Part No. 498528.

12M800 to 12M899

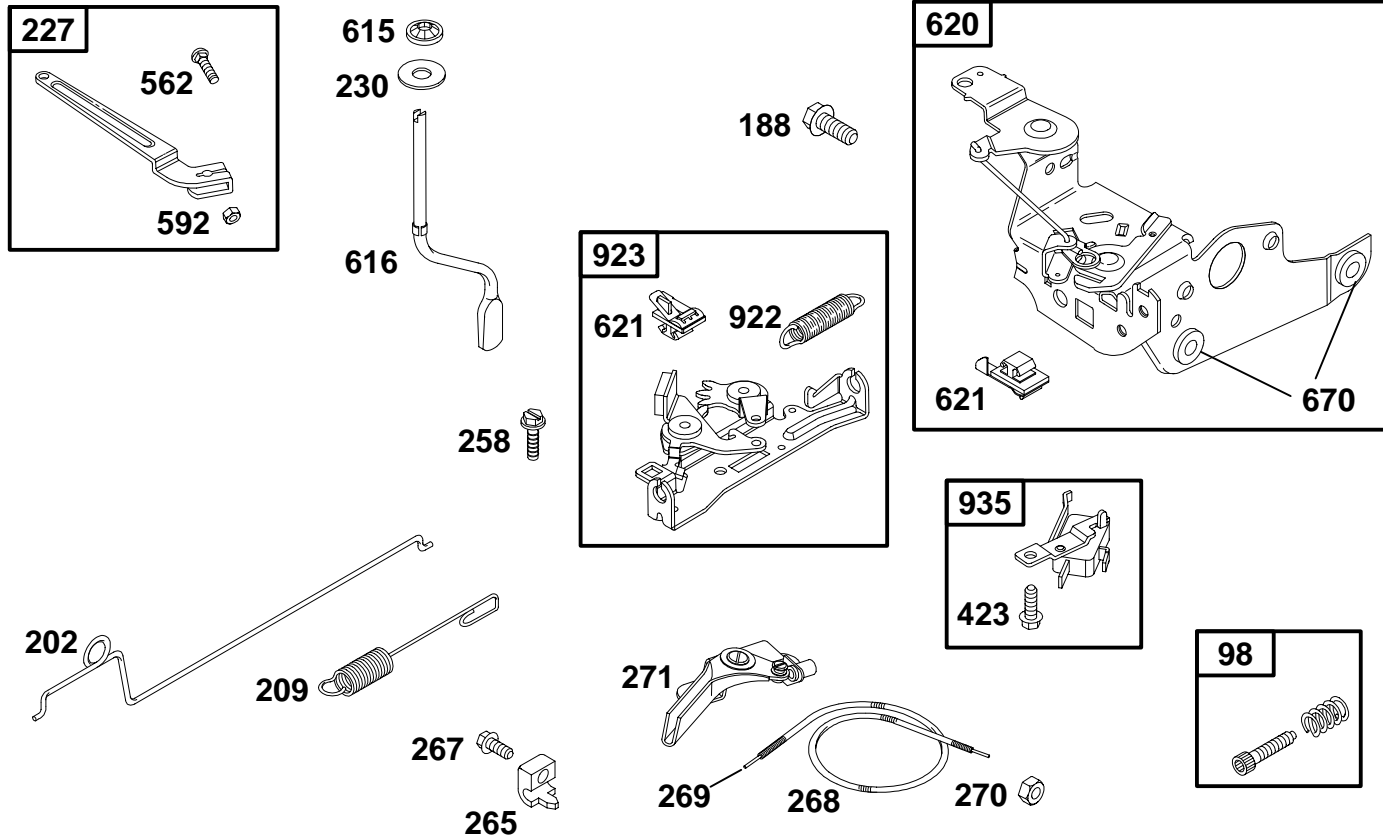


REF. NO.	PART NO.	DESCRIPTION	REF. NO.	PART NO.	DESCRIPTION	REF. NO.	PART NO.	DESCRIPTION			
95	94098	Screw—Choke/Throttle	124	94525	Screw—Hex.	133	398187	Float—Carburetor			
104	231371	Pin—Float Hinge	125	498170	Carburetor (Used After Code Date 95102900).	134	398188	Kit—Needle/Seat			
110	◆	Washer—Bowl (Sold in Kit Only)			Note	137	◆	Gasket—Float Bowl (Sold in Kit Only)			
117	494870	Jet—Main (Standard) (Used After Code Date 95102900).			497586 Carburetor (Used Before Code Date 95103000).	617	◆270344	Seal—Intake Manifold			
		Note			127	●	Plug—Welch (Sold in Kit Only)	634	◆	Washer—Foam (Sold in Kit Only)	
		497466 Jet—Main (Standard) (Used Before Code Date 95103000).	130	224908	Valve—Throttle	975	493640	Bowl—Float			
		497315 Jet—Main (High Altitude) (Used After Code Date 95102900).	131	493267	Throttle Shaft Kit						
		496495 Jet—Main (High Altitude) (Used Before Code Date 95103000).									

★ Included in Gasket Set—Part No. 497316.
● Included in Carburetor Kit—See Ref. No. 121.

◆ Included in Carburetor Gasket Set—See Ref. No. 977.
⊗ Included in Valve Overhaul Gasket Set—Part No. 498528.

12M800 to 12M899

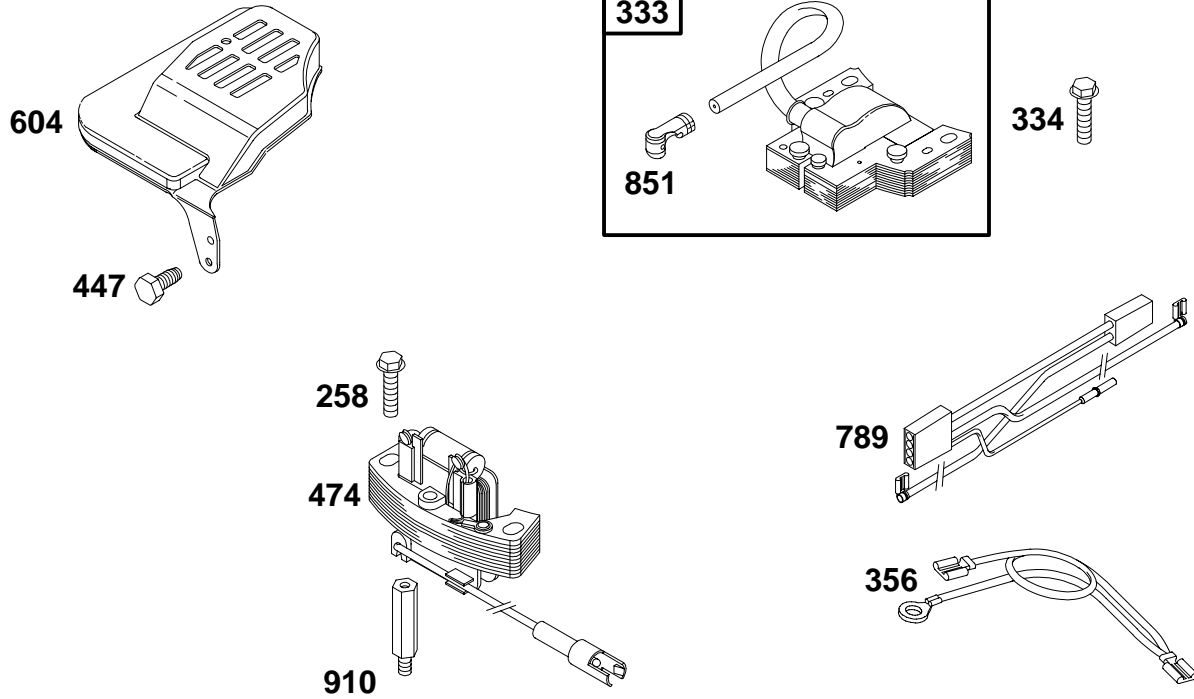


REF. NO.	PART NO.	DESCRIPTION	REF. NO.	PART NO.	DESCRIPTION	REF. NO.	PART NO.	DESCRIPTION
98	493280	Screw—Idle Speed	269	26099	Wire—Control (54" Long; Cut to Required Length)	616	263175	Crank—Governor (Used After Code Date 96090100).
188	94644	Screw—Hex.			Note			Note
202	262579	Link—Mechanical Governor			26633 Wire—Control (78" Long; Cut to Required Length)			262578 Crank—Governor (Used Before Code Date 96090200).
209	263046	Spring—Governor	270	63426	Locknut—Casing	620	497203	Bracket—Control
227	492349	Lever—Governor	271	290568	Lever—Control	621	396847	Switch—Stop
230	67072	Washer—Flat	423	93758	Screw—Hex.	670	★493823	Spacer (Includes 2)
258	94512	Screw—Slotted Hex.	562	94907	Bolt—Governor Lever	922	262640	Spring—Brake
265	213146	Clamp—Casing	592	231082	Nut—Hex.	923	493442	Brake
267	94694	Screw—Slotted Hex.	615	94474	Retainer—Governor Shaft	935	499421	Switch—Interlock (Used After Code Date 92100600).
268	66986	Casing—Wire (48" Long; Cut to Required Length)						Note
		Note						398758 Switch—Interlock (Used Before Code Date 92100700).
		65616 Casing—Wire (72" Long; Cut to Required Length)						

★ Included in Gasket Set—Part No. 497316.
● Included in Carburetor Kit—See Ref. No. 121.

◆ Included in Carburetor Gasket Set—See Ref. No. 977.
⊙ Included in Valve Overhaul Gasket Set—Part No. 498528.

12M800 to 12M899

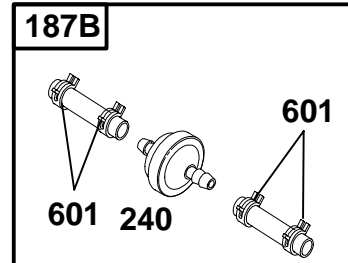
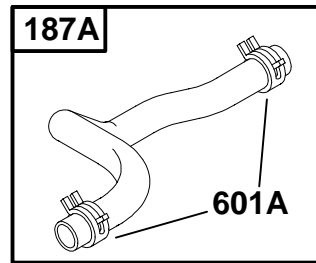
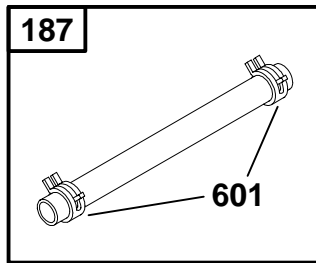
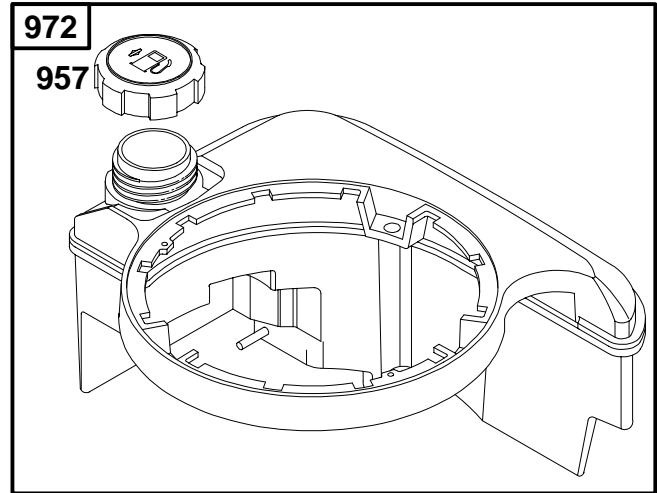
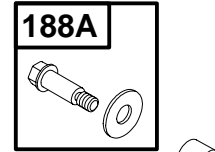
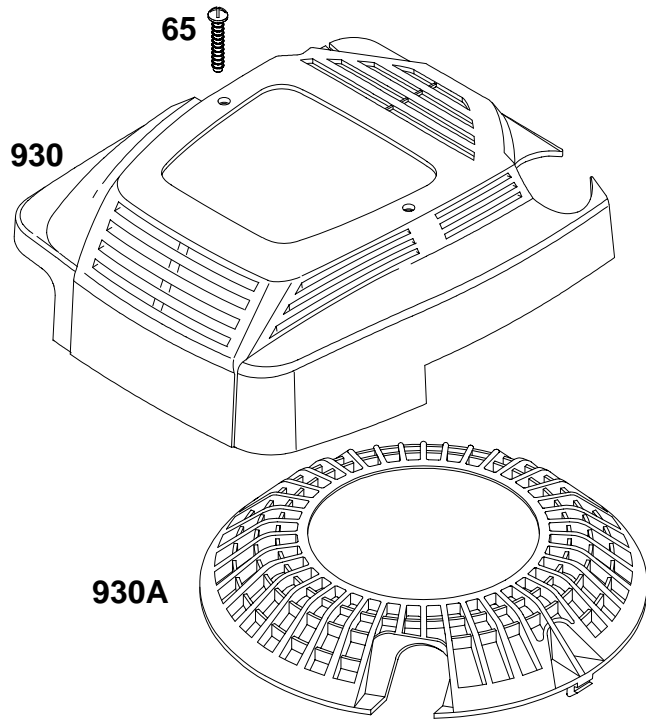


REF. NO.	PART NO.	DESCRIPTION	REF. NO.	PART NO.	DESCRIPTION	REF. NO.	PART NO.	DESCRIPTION
258	94512	Screw—Slotted	447	93801	Screw—Hex	789	493380	Harness—Wiring
333	802574	Armature—Magneto	474	492841	Alternator	851	493880	Terminal—Cable
334	94731	Screw—Hex.	604	225103	Cover—Control	910	94510	Stud—Stator Mounting
356	398808	Wire—Stop						

★ Included in Gasket Set—Part No. 497316.
 ● Included in Carburetor Kit—See Ref. No. 121.

◆ Included in Carburetor Gasket Set—See Ref. No. 977.
 ∅ Included in Valve Overhaul Gasket Set—Part No. 498528.

12M800 to 12M899

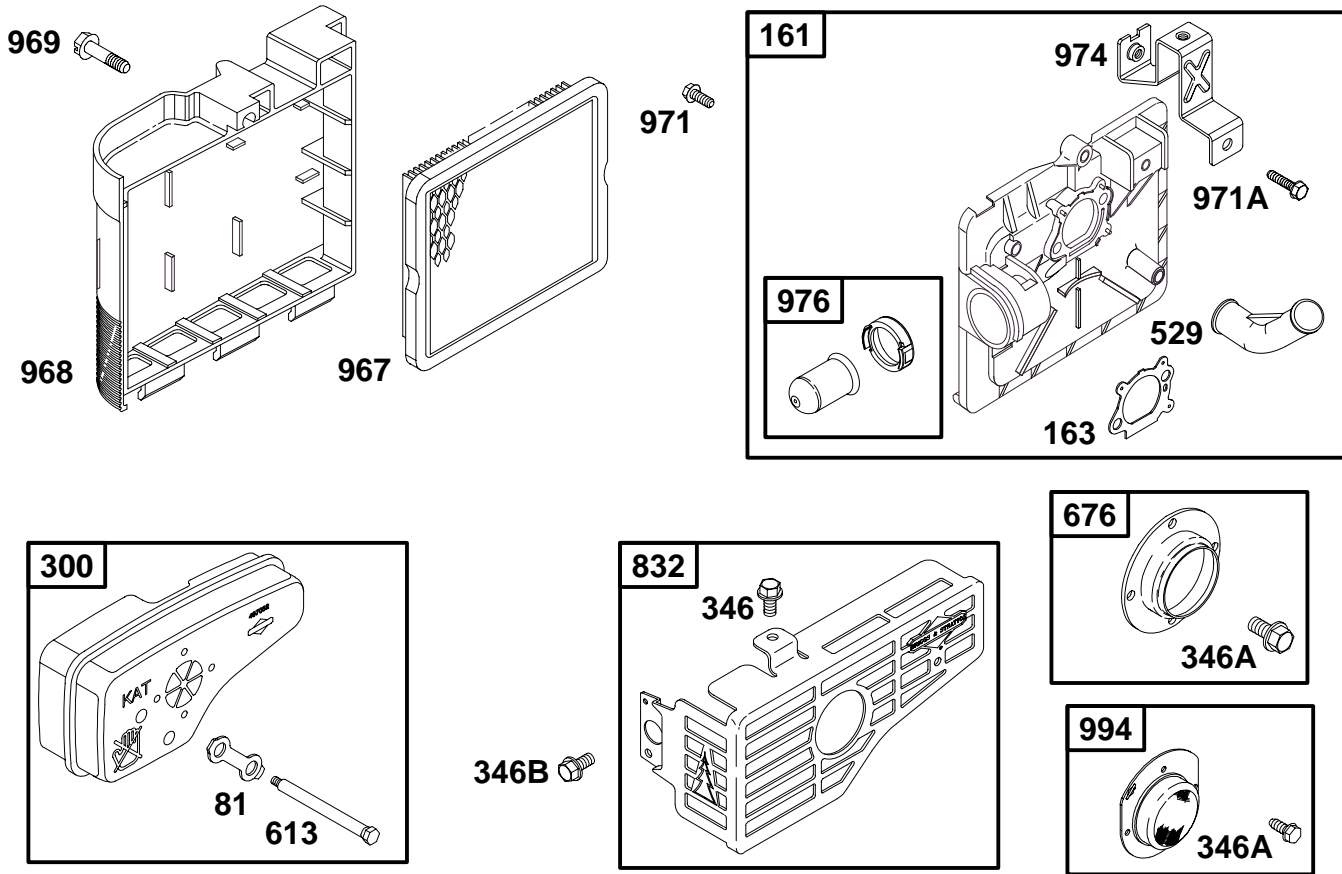


REF. NO.	PART NO.	DESCRIPTION	REF. NO.	PART NO.	DESCRIPTION	REF. NO.	PART NO.	DESCRIPTION
65	94696	Screw-Phillips	240	298090	Filter-Fuel	930	497233	Cover-Blower Hsg.
187	492790	Line-Fuel	284	94511	Screw-Shoulder	930A	281136	Guard-Rewind
187A	492791	Line-Fuel	601	93807	Clamp-Fuel Line	957	397974	Cap-Fuel Tank
187B	498171	Line-Fuel	601A	93053	Clamp-Fuel Line	972	495224	Tank-Fuel
188A	398540	Screw/Washer Kit	670A	280512	Spacer-Fuel Tank			

★ Included in Gasket Set-Part No. 497316.
 ● Included in Carburetor Kit-See Ref. No. 121.

◆ Included in Carburetor Gasket Set-See Ref. No. 977.
 ◊ Included in Valve Overhaul Gasket Set-Part No. 498528.

12M800 to 12M899

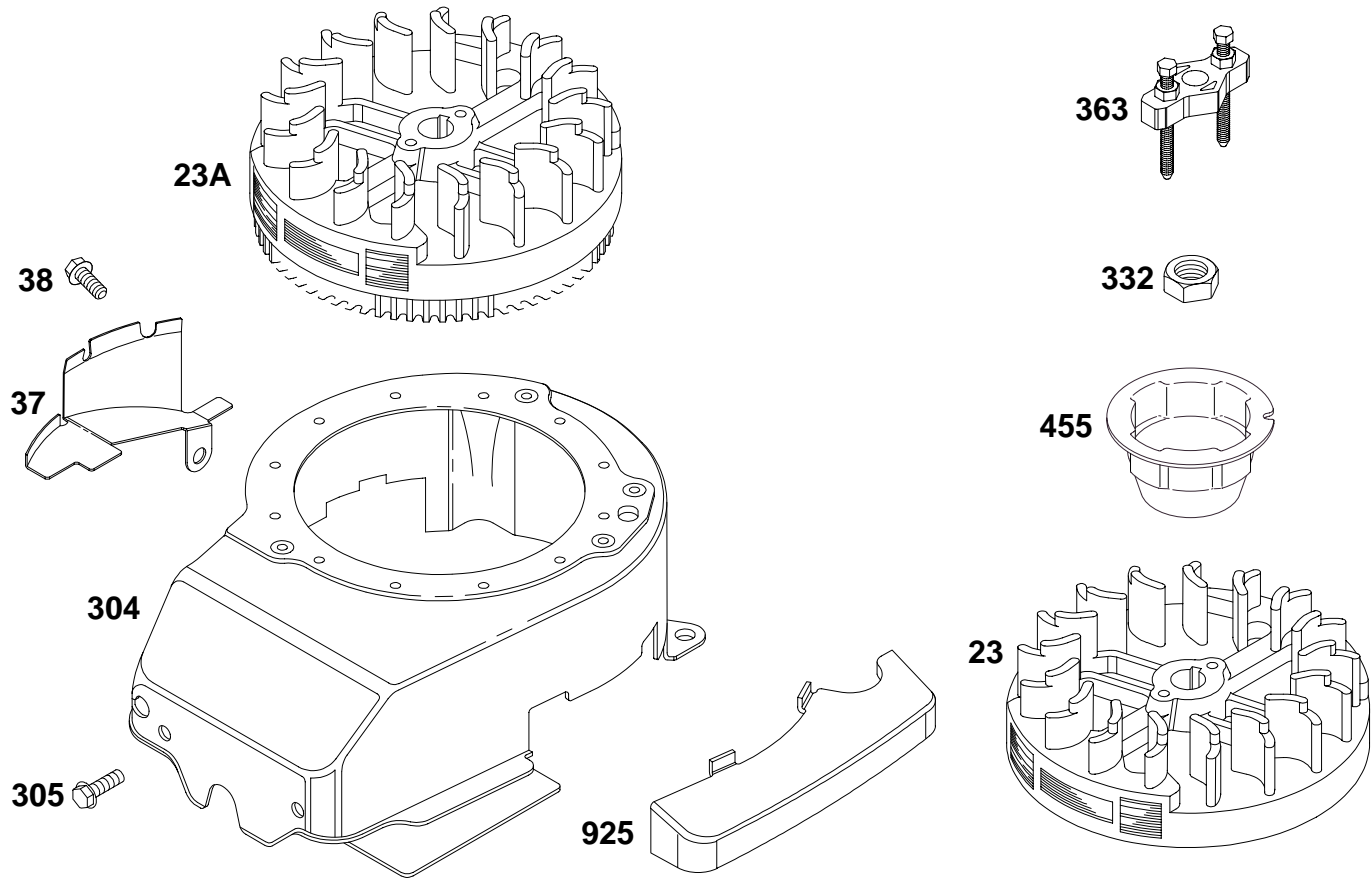


REF. NO.	PART NO.	DESCRIPTION	REF. NO.	PART NO.	DESCRIPTION	REF. NO.	PART NO.	DESCRIPTION
81	223664	Lock-Muffler Screw	346B	95130	Screw-Hex.	969	94872	Screw-Slotted Hex.
161	496116	Base-Air Cleaner	529	281299	Grommet	971	94873	Screw-Hex.
163★◆	272653	Gasket-Air Cleaner	613	94858	Screw-Hex.	971A	94749	Screw-Hex.
300	497681	Muffler-Exhaust	676	497682	Deflector-Muffler	974	224815	Support-Air Cleaner
346	94874	Screw-Hex.	832	497683	Guard-Muffler	976	496115	Primer-Carburetor
346A	93705	Screw-Hex.	967	491588	Filter-A/C Cartridge	994	398067	Arrester-Spark
			968	281340	Cover-Air Cleaner			

★ Included in Gasket Set-Part No. 497316.
 ● Included in Carburetor Kit-See Ref. No. 121.

◆ Included in Carburetor Gasket Set-See Ref. No. 977.
 ◊ Included in Valve Overhaul Gasket Set-Part No. 498528.

12M800 to 12M899

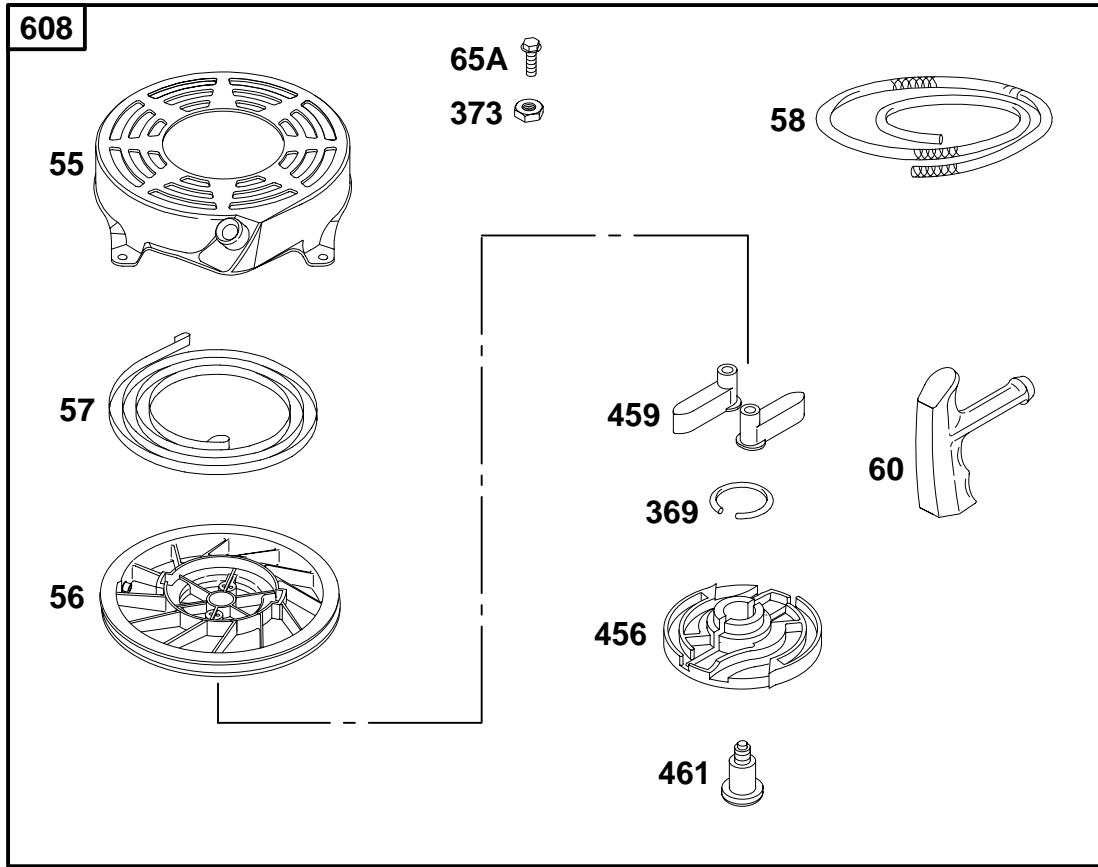


REF. NO.	PART NO.	DESCRIPTION	REF. NO.	PART NO.	DESCRIPTION	REF. NO.	PART NO.	DESCRIPTION
23	492177	Flywheel	304	493293	Housing-Blower	363	19069	Flywheel Puller
23A	492175	Flywheel	305	94744	Screw-Hex.	455	225121	Cup-Flywheel
37	224511	Guard-Flywheel	332	92284	Nut-Flywheel	925	281145	Cover-Linkage
38	94786	Screw-Hex.						

★ Included in Gasket Set-Part No. 497316.
 ● Included in Carburetor Kit-See Ref. No. 121.

◆ Included in Carburetor Gasket Set-See Ref. No. 977.
 ⌀ Included in Valve Overhaul Gasket Set-Part No. 498528.

12M800 to 12M899

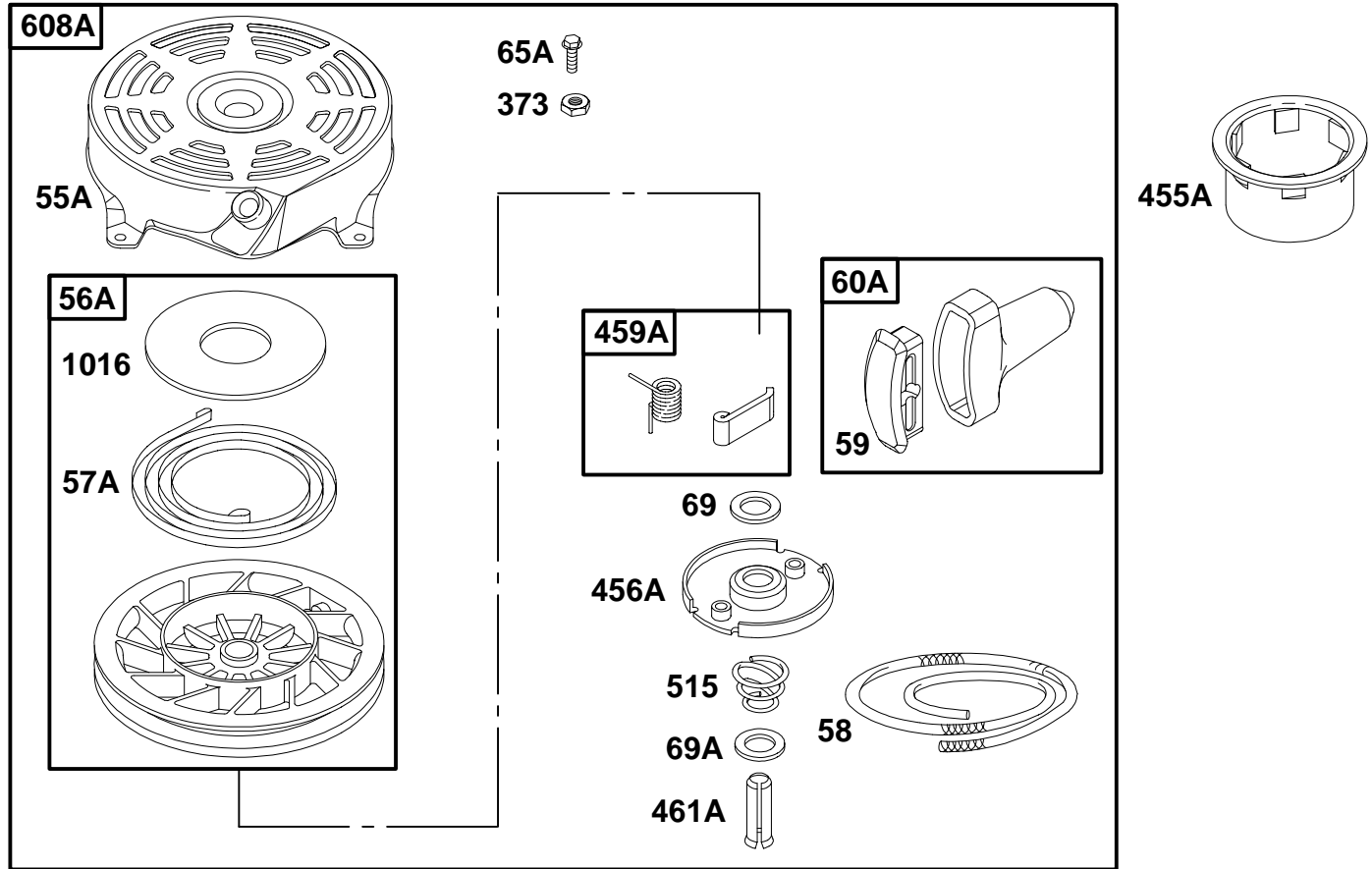


REF. NO.	PART NO.	DESCRIPTION	REF. NO.	PART NO.	DESCRIPTION	REF. NO.	PART NO.	DESCRIPTION
55	497440	Housing-Rewind Starter	58	280399	Rope-Starter (Cut To Required Length)	373	92987	Nut-Hex.
56	281504	Pulley-Starter	60	281434	Grip-Starter Rope	456	281503	Plate-Pawl Friction
57	263074	Spring-Rewind Starter	65A	94686	Screw-Hex.	459	281505	Pawl-Ratchet
			369	263073	Spring-Friction	461	94943	Screw-Shoulder
						608	497680	Starter-Rewind

★ Included in Gasket Set-Part No. 497316.
 ● Included in Carburetor Kit-See Ref. No. 121.

◆ Included in Carburetor Gasket Set-See Ref. No. 977.
 ⌀ Included in Valve Overhaul Gasket Set-Part No. 498528.

12M800 to 12M899

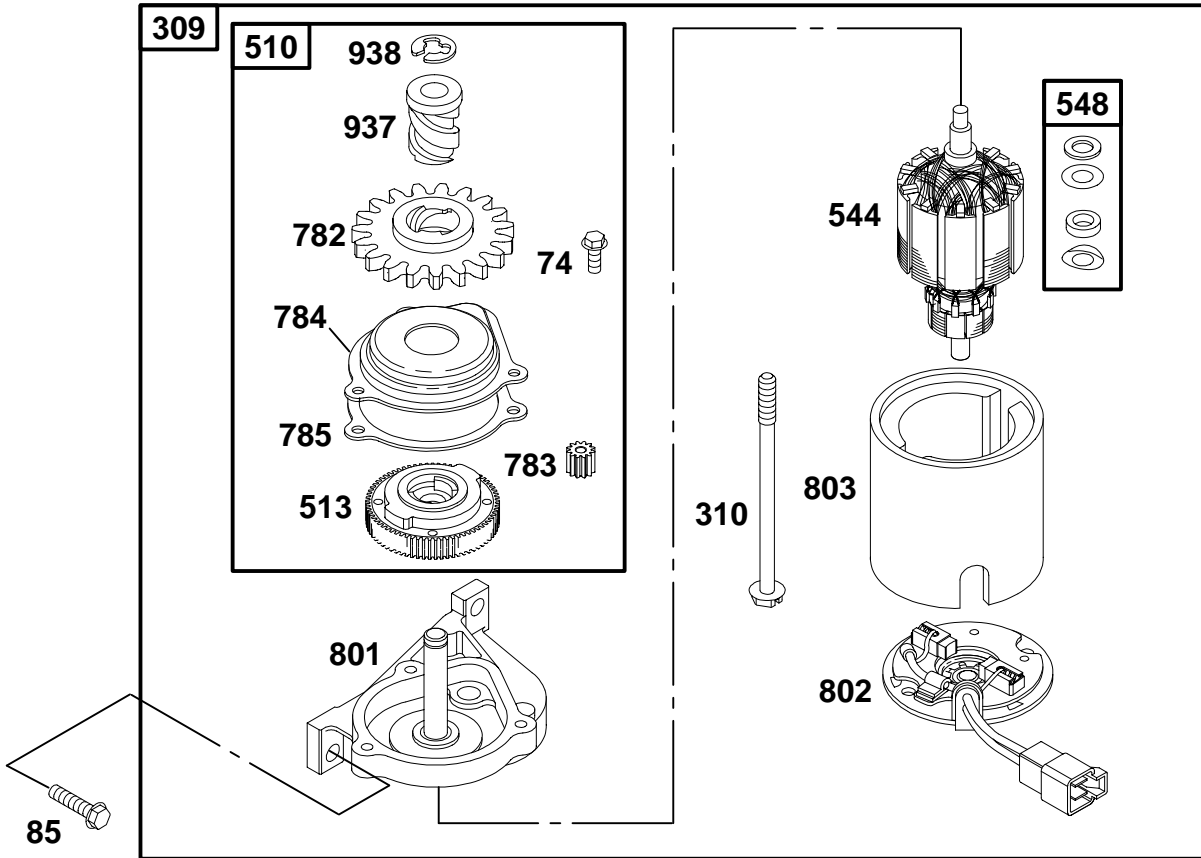


REF. NO.	PART NO.	DESCRIPTION	REF. NO.	PART NO.	DESCRIPTION	REF. NO.	PART NO.	DESCRIPTION
55A	492831	Housing—Rewind Starter	60A	393152	Grip—Starter Rope	459A	492833	Pawl—Ratchet
56A	493824	Pulley—Starter	65A	94686	Screw—Hex.	461A	262626	Pin—Shaft
57A	262594	Spring—Rewind Starter	69	280973	Washer—Seal	515	262625	Spring—Friction
58	280399	Rope—Starter (Cut To Required Length)	69A	224322	Washer	608A	497598	Starter—Rewind
59	396892	Insert—Grip	373	92987	Nut—Hex.	Include(s): 225121 Cup—Flywheel		
			455A	224250	Cup—Flywheel	1016	224278	Spacer—Rewind
			456A	224321	Plate—Pawl Friction			

★ Included in Gasket Set—Part No. 497316.
 ● Included in Carburetor Kit—See Ref. No. 121.

◆ Included in Carburetor Gasket Set—See Ref. No. 977.
 ⊙ Included in Valve Overhaul Gasket Set—Part No. 498528.

12M800 to 12M899

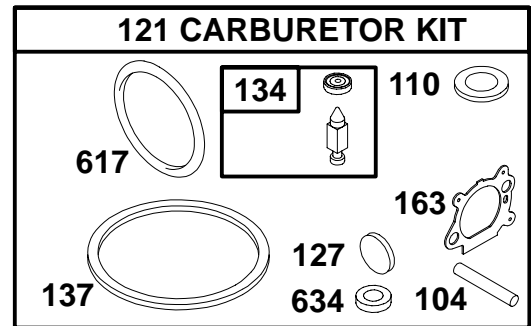
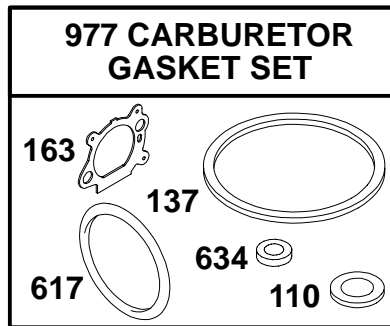
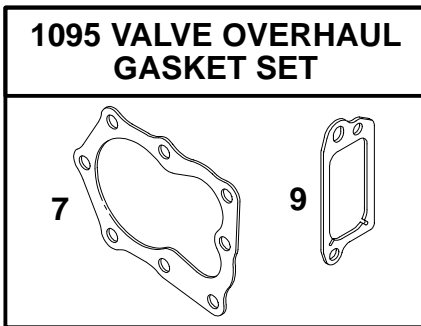
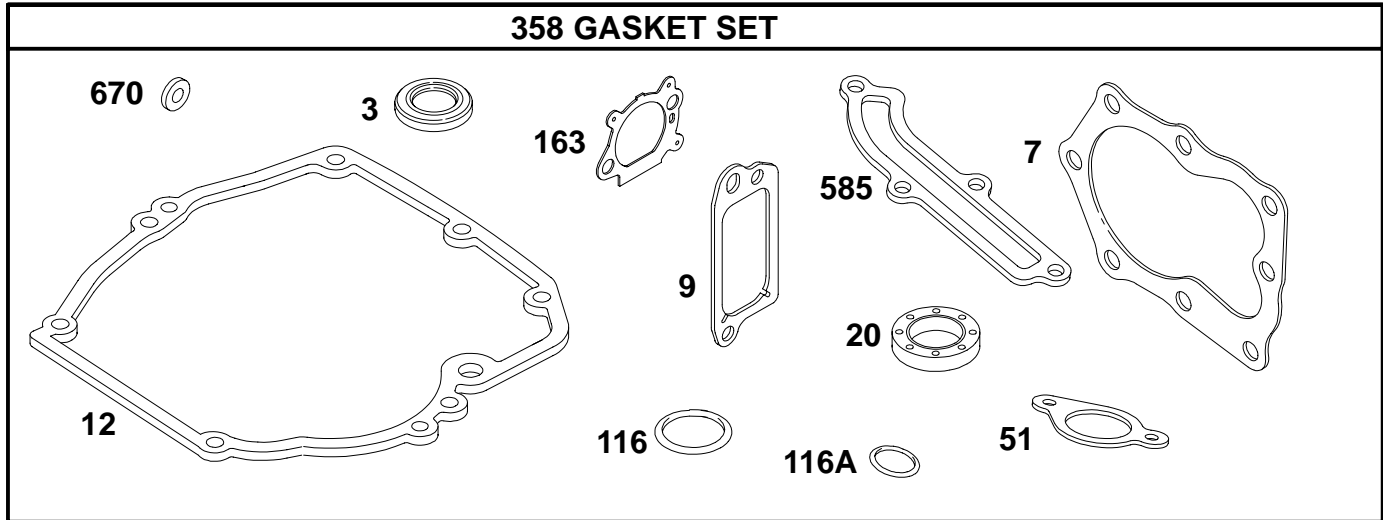


REF. NO.	PART NO.	DESCRIPTION	REF. NO.	PART NO.	DESCRIPTION	REF. NO.	PART NO.	DESCRIPTION
74	93490	Screw-Hex.	544	492921	Armature-Starter	801	492335	Cap-Drive
85	94974	Screw-Hex.	548	492919	Washer Set	802	492922	Cap-End
309	494233	Motor-Starter	782	281127	Gear-Pinion	803	492920	Housing-Starter
310	94051	Screw-Slotted Hex.	783	261606	Gear-Pinion	937	281125	Spline-Starter
510	494147	Drive-Starter	784	224262	Cover-Gear	938	93941	Retainer
513	394815	Clutch-Drive	785	272201	Gasket-Cover			

★ Included in Gasket Set-Part No. 497316.
 ● Included in Carburetor Kit-See Ref. No. 121.

◆ Included in Carburetor Gasket Set-See Ref. No. 977.
 ◊ Included in Valve Overhaul Gasket Set-Part No. 498528.

12M800 to 12M899



REF. NO.	PART NO.	DESCRIPTION	REF. NO.	PART NO.	DESCRIPTION	REF. NO.	PART NO.	DESCRIPTION
	3 ★299819	Seal-Oil		121 498260	Carburetor Kit (Used After Code Date 95110200).		617 ◆◆270344	Seal-Intake Manifold
	7 ★Ø272916	Gasket-Cylinder Head			Note		634 ◆◆	Washer-Foam (Sold in Kit Only)
	9 ★Ø272481	Gasket-Breather			493762 Carburetor Kit (Used Before Code Date 95110300).		670 ★493823	Spacer (Includes 2)
	12 ★272198	Gasket-Crankcase			Plug-Welch (Sold in Kit Only)		977 498261	Gasket Set-Carburetor (Used After Code Date 95110200).
	20 ★399781	Seal-Oil		127 ●				Note
	51 ★272199	Gasket-Intake		134 ●398188	Valve-Needle (Includes Seat)			490937 Gasket Set-Carburetor (Used Before Code Date 95110300).
	104 ●231371	Pin-Float Hinge		137 ◆◆	Gasket-Float Bowl (Sold in Kit Only)		1095 498528	Gasket Set-Valve Overhaul
	110 ◆◆	Washer-Bowl (Sold in Kit Only)		163 ★◆272653	Gasket-Air Cleaner			
	116 ★280393	Seal-O-Ring		358 497316	Gasket Set			
	116A ★280966	Seal-O-Ring		585 ★272238	Gasket-Breather Passage			

★ Included in Gasket Set-Part No. 497316.
● Included in Carburetor Kit-See Ref. No. 121.

◆ Included in Carburetor Gasket Set-See Ref. No. 977.
Ø Included in Valve Overhaul Gasket Set-Part No. 498528.