

## 12D800 to 12D899

# Illustrated Parts List

## Model Series

# 12D800 to 12D899

TYPE NUMBERS  
0600, 1508, 1512.

**TO FIND**  
**THE CORRECT NUMBER OF THE PART YOU NEED:**  
**FOLLOW THE INSTRUCTIONS BELOW**

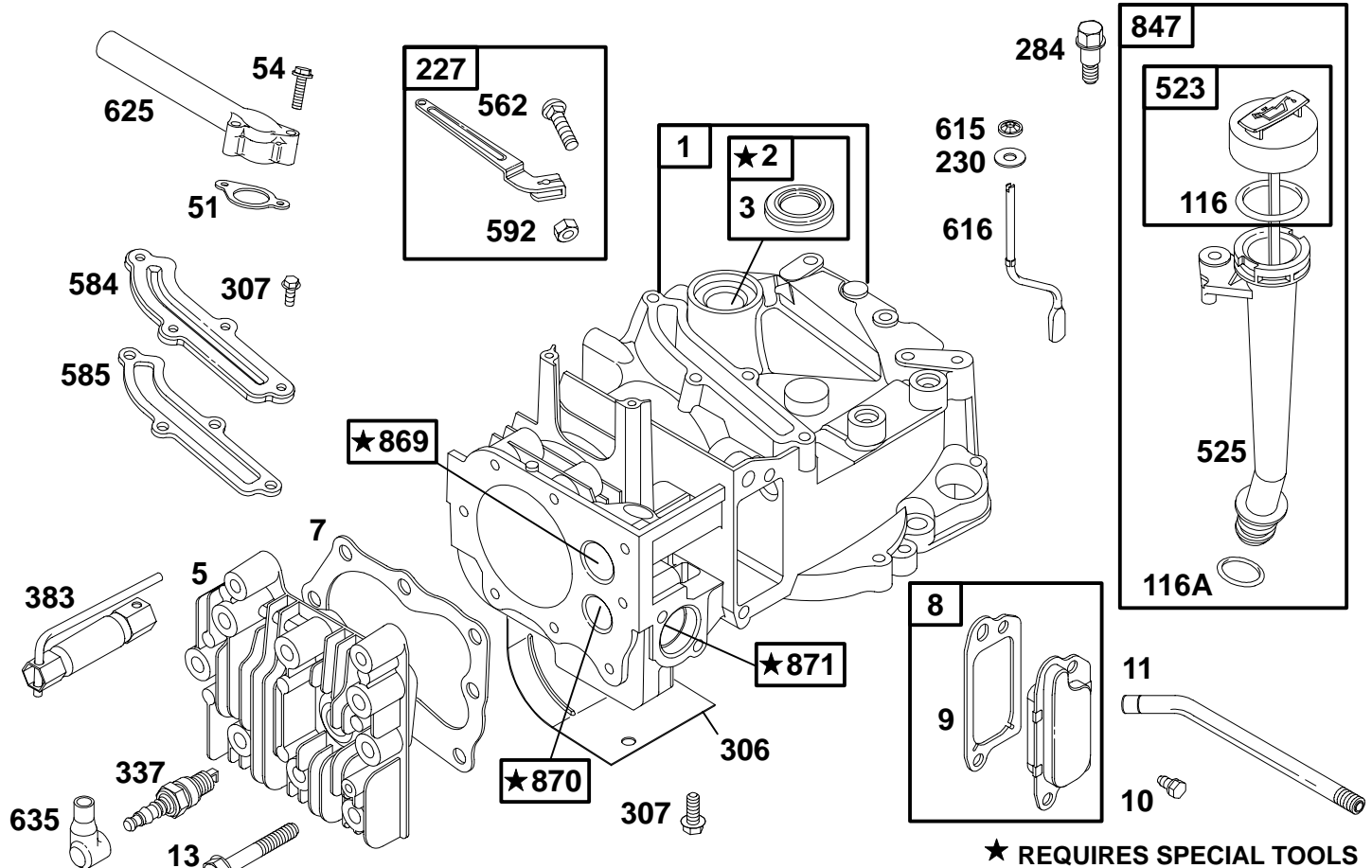
- A. Refer to Engine Model, Type and Code Number that is stamped on the blower housing of engine. Engine type numbers such as 0123 01 are listed only as 0123 in most instances. The two digits (01 or 02, etc.) to the right of the space may be required for more accurate parts identification in some instances. Select the Illustrated Parts List covering the correct Model Series and Type Number.
- B. Refer to the Illustrations and compare the original part with Illustration. The number next to the illustration is the Reference Number. Assemblies include all parts shown in frames. All parts shown in assembly frames having individual reference numbers can be purchased separately.
- C. After the Reference Number has been identified, refer to the Numerical text, where Reference and Primary Part Number are listed. **THE PRIMARY PART IS USED ON ALL TYPE NUMBERS EXCEPT THOSE TYPE NUMBERS UNDER "NOTE."**
- D. If a "Note" appears below the Primary Part Number, it means that this part differs from the Primary Part for certain types. If your Type number is listed under "Note," order the part referred to at the "Note."
- E. If your Engine Type Number does not appear after any part number listed under "Note," use the Primary Part Number.
- F. For Engine Type Numbers not covered by this book, check other Parts Lists having the same engine model or contact your source of supply.

PRINTED IN U.S.A.



COPYRIGHT by BRIGGS & STRATTON CORPORATION  
All rights reserved. No part of this material may be reproduced or transmitted, in any form or by any means, electronic or mechanical, including photocopying, recording or by any information storage and retrieval system, without permission in writing from Briggs & Stratton Corporation.

# 12D800 to 12D899



**1019 LABEL KIT**

**1058 OWNER'S MANUAL**

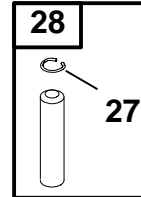
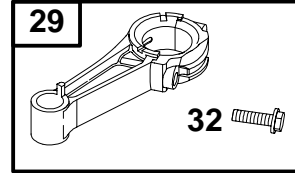
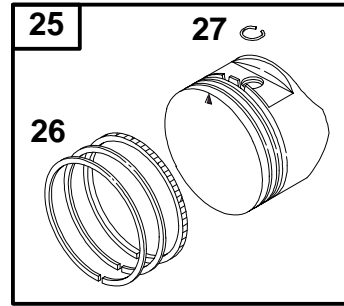
**★ REQUIRES SPECIAL TOOLS TO INSTALL. SEE REPAIR INSTRUCTION MANUAL.**

REF. NO.	PART NO.	DESCRIPTION	REF. NO.	PART NO.	DESCRIPTION	REF. NO.	PART NO.	DESCRIPTION
1	494062	Cylinder Assembly	230	67072	Washer	625	497465	Manifold-Intake
2	399269	Bushing	284	94511	Screw-Shoulder	635	66538	Boot-Spark Plug
3	★299819	Seal-Oil	306	224324	Shield-Cylinder	847	495263	Dipstick/Tube Assembly
5	214626	Head-Cylinder (Used After Code Date 96060200).	307	94515	Screw-Hex.	869	213512	Seat-Valve (Intake)
		<b>Note</b>	337	802592	Plug-Spark	870	213513	Seat-Valve (Exhaust)
		214349 Head-Cylinder (Used Before Code Date 96060300).	383	89838	Wrench-Spark Plug	871	262001	Bushing-Guide (Exhaust Valve)
7	★Ø272916	Gasket-Cylinder Head	523	495264	Dipstick			<b>Note</b>
8	495786	Breather Assembly	525	495265	Tube-Oil Fill			63709 Bushing-Guide (Intake Valve)
9	★Ø272481	Gasket-Breather	562	92613	Bolt-Governor Lever	1019	494256	Label Kit
10	94650	Screw-Hex.	584	224328	Baffle-Cylinder	1058	272262	Owner's Manual
11	231685	Tube-Breather	585	★272238	Gasket-Breather			
13	94547	Screw-Hex.	592	231082	Nut-Hex.			
51	★272199	Gasket-Intake	615	94474	Retainer			
54	94526	Screw-Hex.	616	263175	Crank-Governor (Used After Code Date 96090100).			
116	★280393	Seal-O Ring			<b>Note</b>			
116A	★280966	Seal-O Ring			262578 Crank-Governor (Used Before Code Date 96090200).			
227	492349	Lever-Governor						

★ Included in Gasket Set-Part Number 497316.  
 • Included in Carburetor Kit-See Ref. 121.

◆ Included in Carburetor Gasket Set-See Ref. 977.  
 Ø Included in Valve Overhaul Gasket Set-Part No. 498528.

# 12D800 to 12D899

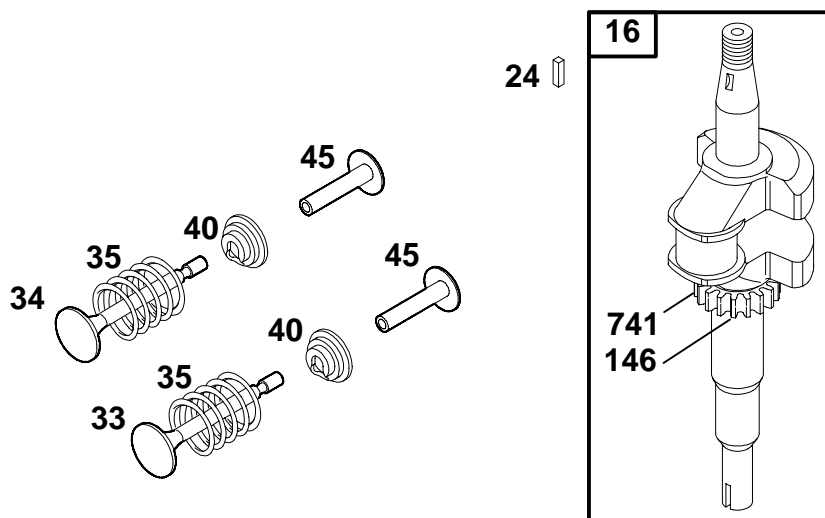


REF. NO.	PART NO.	DESCRIPTION	REF. NO.	PART NO.	DESCRIPTION	REF. NO.	PART NO.	DESCRIPTION				
25	499433	Piston Assembly (Standard) (Used After Code Date 97011200). <b>Note</b> 494058 Piston Assy. (Standard) (Used Before Code Date 97011300).	26	499425	Ring Set (Standard) (Used After Code Date 97011200). <b>Note</b> 493261 Ring Set (Standard) (Used Before Code Date 97011300).	27	263190	Lock-Piston Pin (Used After Code Date 97011200). <b>Note</b> 26026 Lock-Piston Pin (Used Before Code Date 97011300).				
	499430	Piston Assy. (.010" O.S.) (Used After Code Date 97011200).		499426	Ring Set (.010" O.S.) (Used After Code Date 97011200).		499423	Pin-Piston (Standard) (Used After Code Date 97011200). <b>Note</b> 298909 Pin-Piston (Standard) (Used Before Code Date 97011300).				
	494059	Piston Assy. (.010" O.S.) (Used Before Code Date 97011300).		493388	Ring Set (.010" O.S.) (Used Before Code Date 97011300).		28	499423	Pin-Piston (Standard) (Used After Code Date 97011200). <b>Note</b> 298908 Pin-Piston (.005" O.S.) (Used Before Code Date 97011300).			
	499431	Piston Assy. (.020" O.S.) (Used After Code Date 97011200).		499427	Ring Set (.020" O.S.) (Used After Code Date 97011200).					29	499424	Rod-Connecting (Standard) (Used After Code Date 97011200). <b>Note</b> 490566 Rod-Connecting (Standard) (Used Before Code Date 97011300).
	494060	Piston Assy. (.020" O.S.) (Used Before Code Date 97011300).		493389	Ring Set (.020" O.S.) (Used Before Code Date 97011300).					32	94699	Screw-Connecting Rod
	499432	Piston Assy. (.030" O.S.) (Used After Code Date 97011200).		499428	Ring Set (.030" O.S.) (Used After Code Date 97011200).							
	494061	Piston Assy. (.030" O.S.) (Used Before Code Date 97011300).		493390	Ring Set (.030" O.S.) (Used Before Code Date 97011300).							

\* Included in Gasket Set-Part Number 497316.  
• Included in Carburetor Kit-See Ref. 121.

◆ Included in Carburetor Gasket Set-See Ref. 977.  
⊗ Included in Valve Overhaul Gasket Set-Part No. 498528.

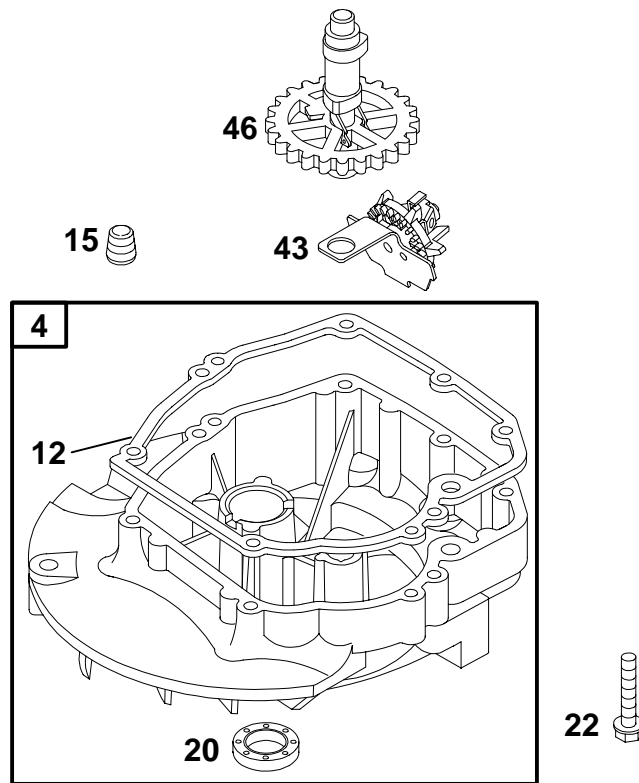
# 12D800 to 12D899



REF. NO.	PART NO.	DESCRIPTION	REF. NO.	PART NO.	DESCRIPTION	REF. NO.	PART NO.	DESCRIPTION
16	498562	Crankshaft (Used After Code Date 97011200).	24	222698	Key-Flywheel	40	93312	Retainer-Valve
		<b>Note</b>	33	262651	Valve-Exhaust	45	262204	Tappet-Valve
		493282 Crankshaft (Used Before Code Date 97011300).	34	262652	Valve-Intake	146	94388	Key-Timing
		498565 Crankshaft (Used After Code Date 97011200). Used on Type No(s). 1512.	35	262224	Spring-Valve	741	262598	Gear-Timing
		493362 Crankshaft (Used Before Code Date 97011300). Used on Type No(s). 1512.						

★ Included in Gasket Set-Part Number 497316.  
● Included in Carburetor Kit-See Ref. 121.

◆ Included in Carburetor Gasket Set-See Ref. 977.  
⊗ Included in Valve Overhaul Gasket Set-Part No. 498528.

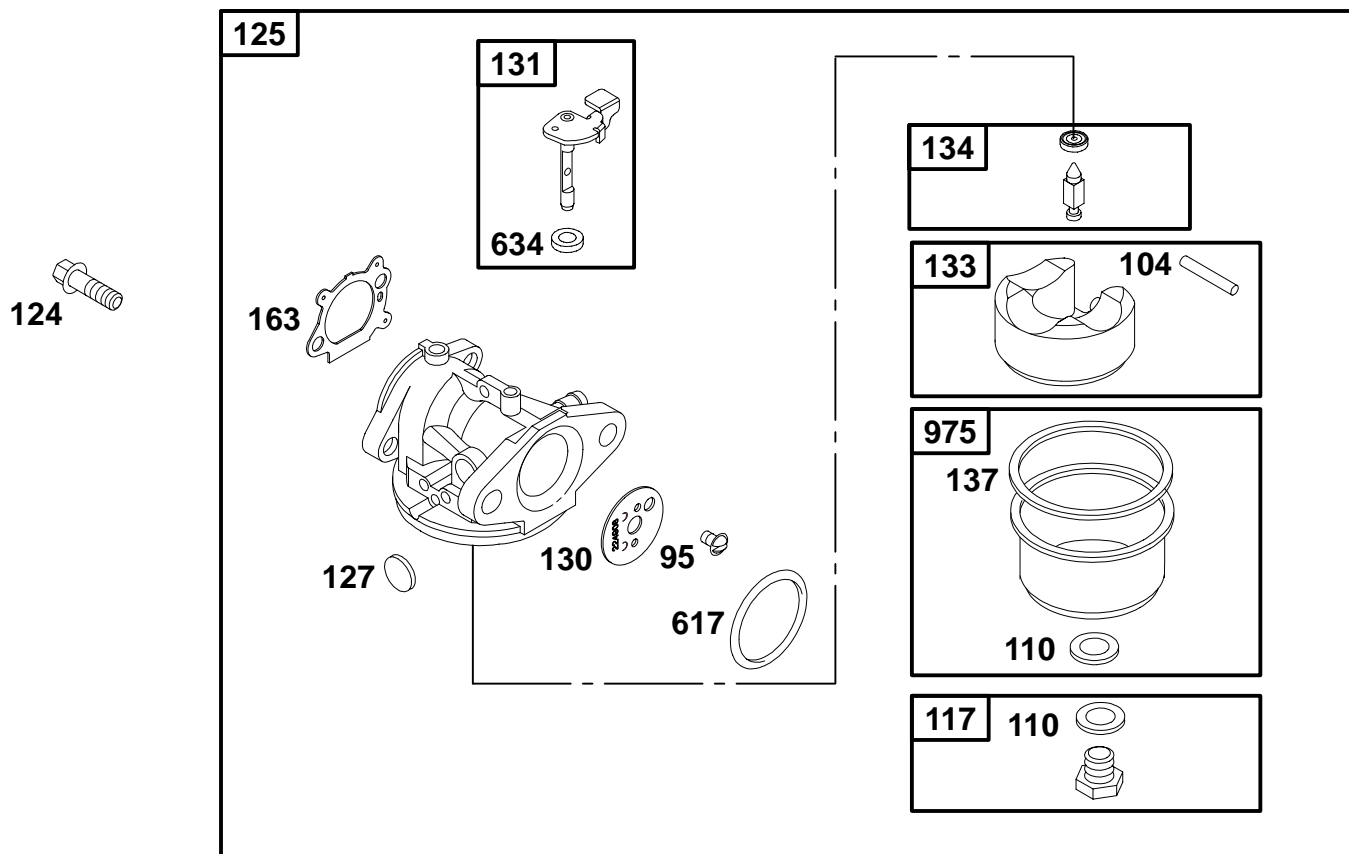


REF. NO.	PART NO.	DESCRIPTION	REF. NO.	PART NO.	DESCRIPTION	REF. NO.	PART NO.	DESCRIPTION
4	493279	Sump-Engine	22	94220	Screw-Hex.	46	498275	Gear-Cam (Used After Code Date 96060200).
12	★272198	Gasket-Crankcase			<b>Note</b>			<b>Note</b>
15	94720	Plug-Oil Drain			94612			492830
20	★399781	Seal-Oil			One Used in Hole Nearest Breather.			(Used Before Code Date 96060300).
			43	493737	Governor/Oil Slinger			

★ Included in Gasket Set-Part Number 497316.  
● Included in Carburetor Kit-See Ref. 121.

◆ Included in Carburetor Gasket Set-See Ref. 977.  
⊘ Included in Valve Overhaul Gasket Set-Part No. 498528.

# 12D800 to 12D899



REF. NO.	PART NO.	DESCRIPTION	REF. NO.	PART NO.	DESCRIPTION	REF. NO.	PART NO.	DESCRIPTION
95	94098	Screw—Slotted	124	94525	Screw—Hex.	133	398187	Float—Carburetor
104	231371	Pin—Float Hinge	125	498966	Carburetor (Used After Code Date 96060200).	134	398188	Valve—Needle (Includes Seat)
110	◆	Seal—O-Ring (Sold in Kit Only)			<b>Note</b>	137	◆	Gasket—Float Bowl (Sold in Kit Only)
117	498975	Jet—Main (Standard) (Used After Code Date 96060200).			498254 Carburetor (Used After Code Date 95102900 and Before Code Date 96060300).	163	◆	Gasket—Air Cleaner
		<b>Note</b>			497586 Carburetor (Used Before Code Date 95103000).	617	◆	Seal—Intake Manifold
		497466 Jet—Main (Standard) (Used Before Code Date 96060300).	127	•	Plug—Welch (Sold in Kit Only)	634	◆	Washer (Sold in Kit Only)
		497168 Jet—Main (High Altitude) (Used After Code Date 96060200).	130	224908	Valve—Throttle	975	493640	Bowl—Float
		496495 Jet—Main (High Altitude) (Used Before Code Date 96060300).	131	493267	Shaft—Throttle			

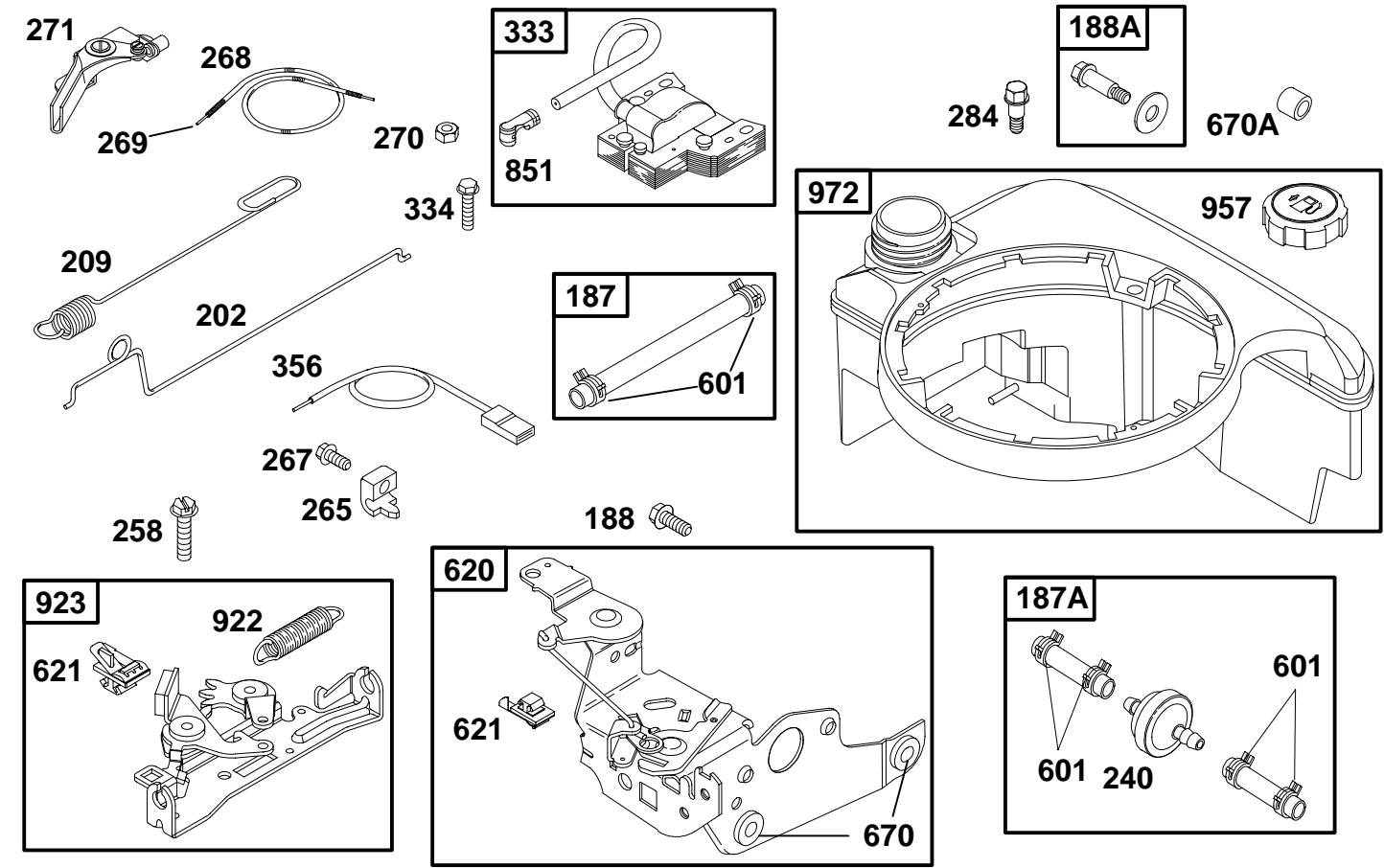
★ Included in Gasket Set—Part Number 497316.

● Included in Carburetor Kit—See Ref. 121.

◆ Included in Carburetor Gasket Set—See Ref. 977.

⊗ Included in Valve Overhaul Gasket Set—Part No. 498528.

## 12D800 to 12D899

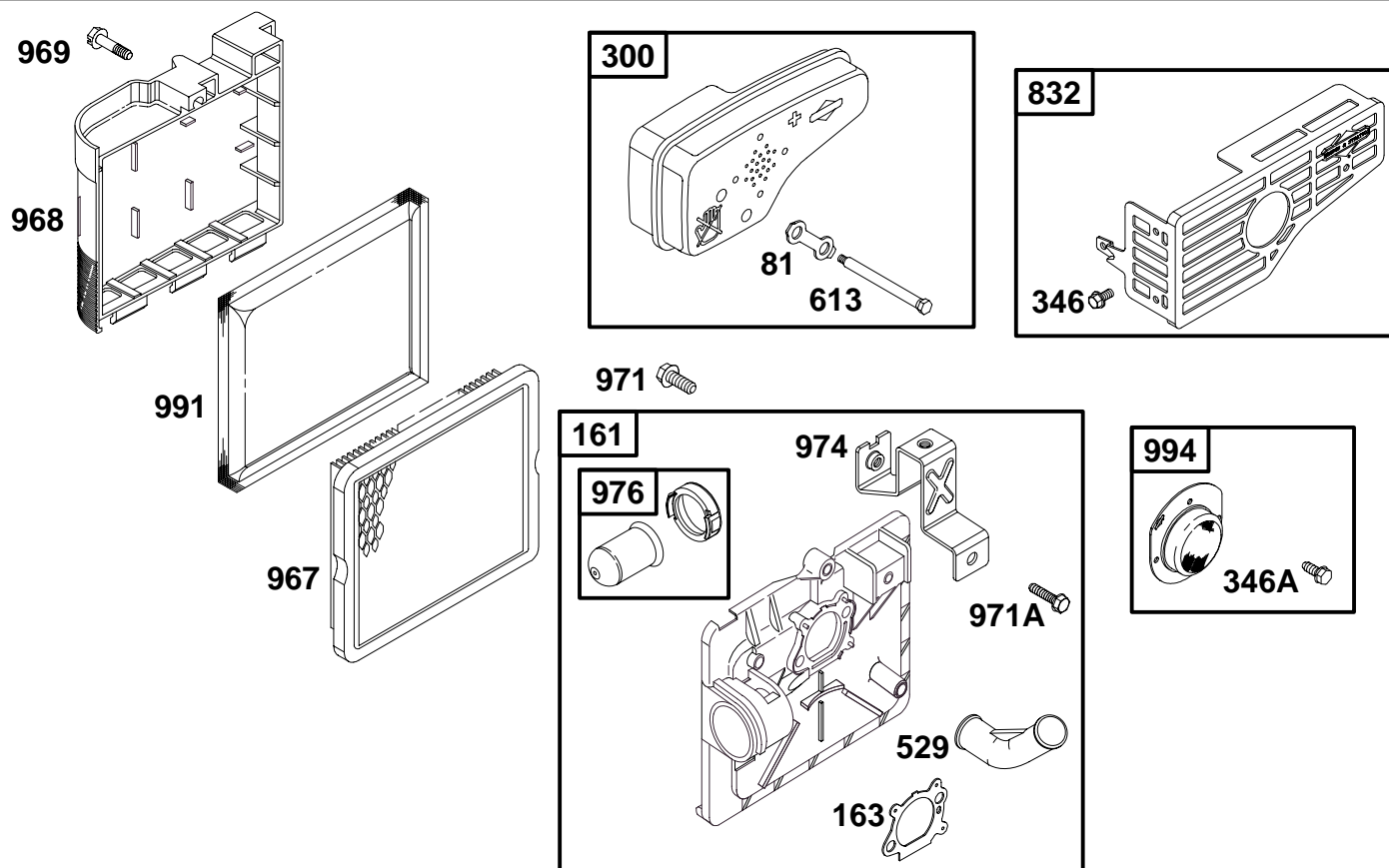


REF. NO.	PART NO.	DESCRIPTION	REF. NO.	PART NO.	DESCRIPTION	REF. NO.	PART NO.	DESCRIPTION
187	492790	Line—Fuel	265	213146	Clamp—Casing	284	94511	Screw—Shoulder
187A	498171	Line—Fuel	267	94694	Screw—Slotted Hex.	601	93053	Clamp—Hose
188	94644	Screw—Hex.	268	66986	Casing—Wire (Cut to Required Length)	620	497203	Bracket—Control
188A	398540	Screw—Shoulder	269	26099	Wire—Control (Cut to Required Length)	621	396847	Switch—Stop
202	262579	Link—Mechanical Governor	270	63426	Locknut—Casing	670	★493823	Spacer (Includes 2)
209	263046	Spring—Governor	271	290568	Lever—Control	670A	280512	Spacer—Fuel Tank
		<b>Note</b>	333	802574	Armature—Magneto	851	493880	Terminal—Cable
		263044 Spring—Gov. Used on Type No(s). 1512.	334	94731	Screw—Hex.	922	262640	Spring—Brake
240	298090	Filter—Fuel	356	497833	Wire—Stop	923	493442	Brake
258	94512	Screw—Slotted Hex.				957	397974	Cap—Fuel Tank
						972	495224	Tank—Fuel

★ Included in Gasket Set—Part Number 497316.  
● Included in Carburetor Kit—See Ref. 121.

◆ Included in Carburetor Gasket Set—See Ref. 977.  
⊗ Included in Valve Overhaul Gasket Set—Part No. 498528.

# 12D800 to 12D899



REF. NO.	PART NO.	DESCRIPTION	REF. NO.	PART NO.	DESCRIPTION	REF. NO.	PART NO.	DESCRIPTION
81	223664	Lock-Muffler Screw	613	94231	Screw-Shoulder	971A	94749	Screw-Hex.
161	496116	Base-Air Cleaner	832	499034	Guard-Muffler	974	224815	Bracket-Support
163★◆	272653	Gasket-Air Cleaner	967	491588	Filter-Air	976	496115	Primer-Carburetor
300	496106	Muffler-Exhaust	968	281340	Cover-Air Cleaner	991	493537	Filter-Air (Pre Filter)
346	94602	Screw-Hex.	969	94872	Screw-Slotted Hex.	994	398067	Arrester-Spark
346A	93705	Screw-Hex.	971	94873	Screw-Hex.			
529	281299	Grommet						

★ Included in Gasket Set-Part Number 497316.

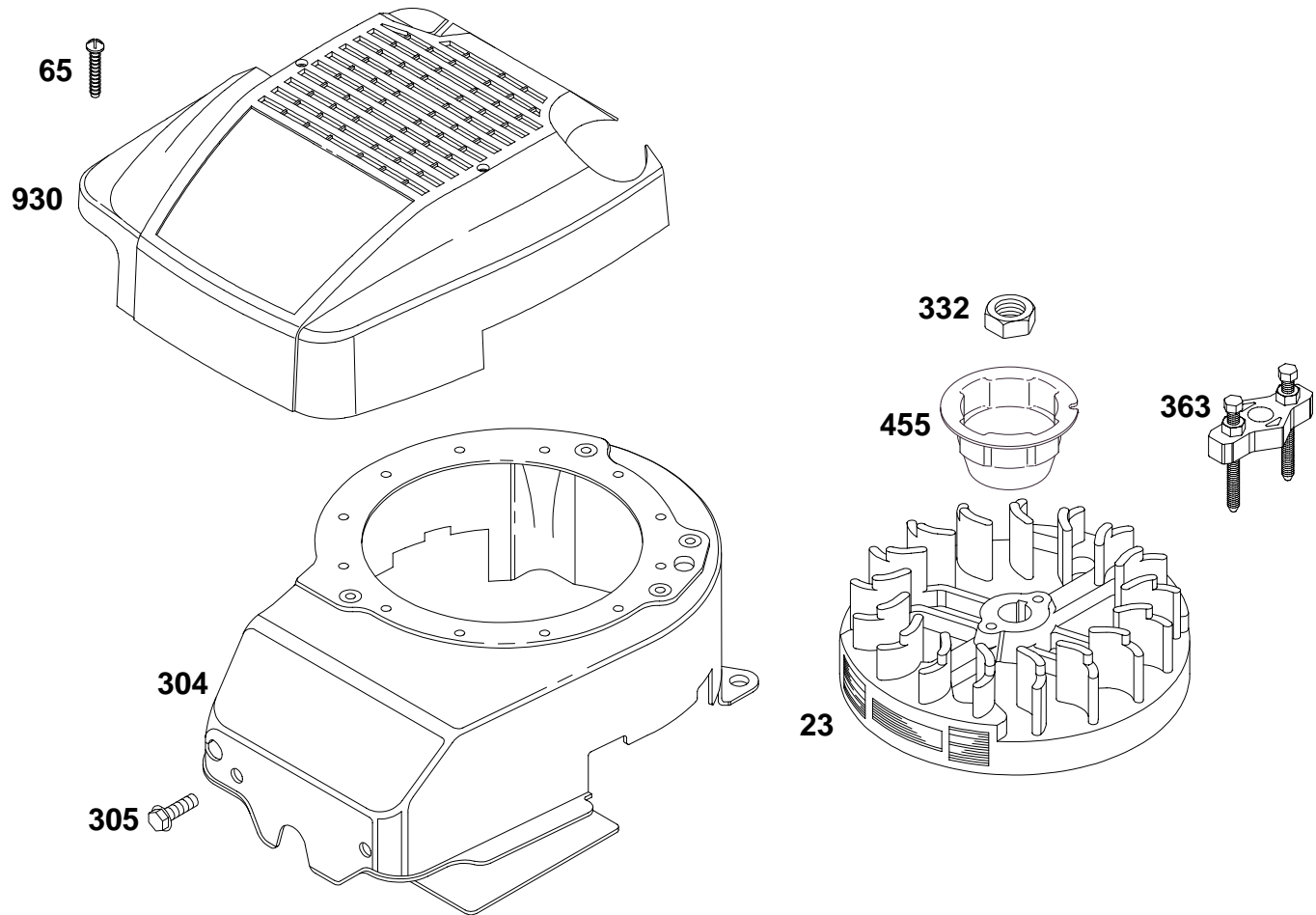
● Included in Carburetor Kit-See Ref. 121.

◆ Included in Carburetor Gasket Set-See Ref. 977.

⊘ Included in Valve Overhaul Gasket Set-Part No. 498528.



12D800 to 12D899

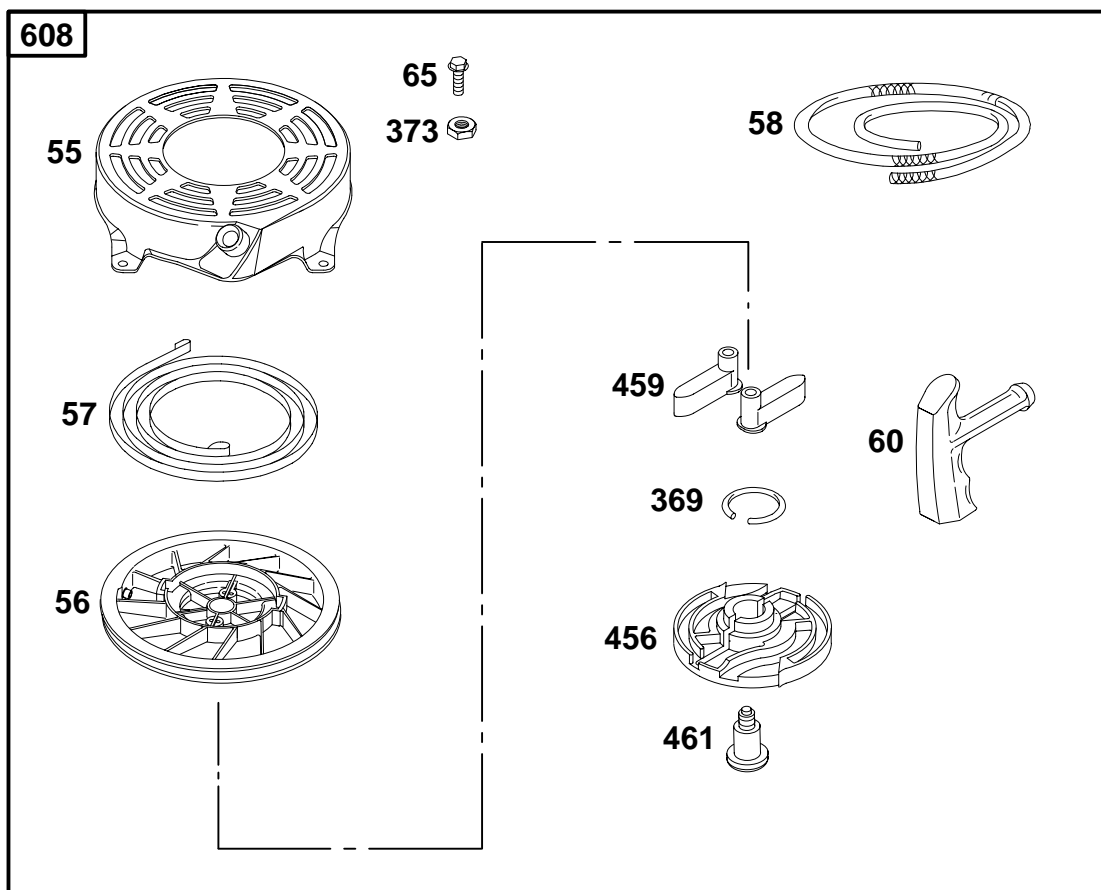


REF. NO.	PART NO.	DESCRIPTION	REF. NO.	PART NO.	DESCRIPTION	REF. NO.	PART NO.	DESCRIPTION
23	492177	Flywheel	305	94744	Screw-Hex.	455	225121	Cup-Flywheel
65	94696	Screw-Phillips	332	92284	Nut-Flywheel	930	497233	Guard-Rewind
304	493293	Housing-Blower	363	19069	Flywheel Puller			

★ Included in Gasket Set-Part Number 497316.  
 ● Included in Carburetor Kit-See Ref. 121.

◆ Included in Carburetor Gasket Set-See Ref. 977.  
 ∅ Included in Valve Overhaul Gasket Set-Part No. 498528.

# 12D800 to 12D899

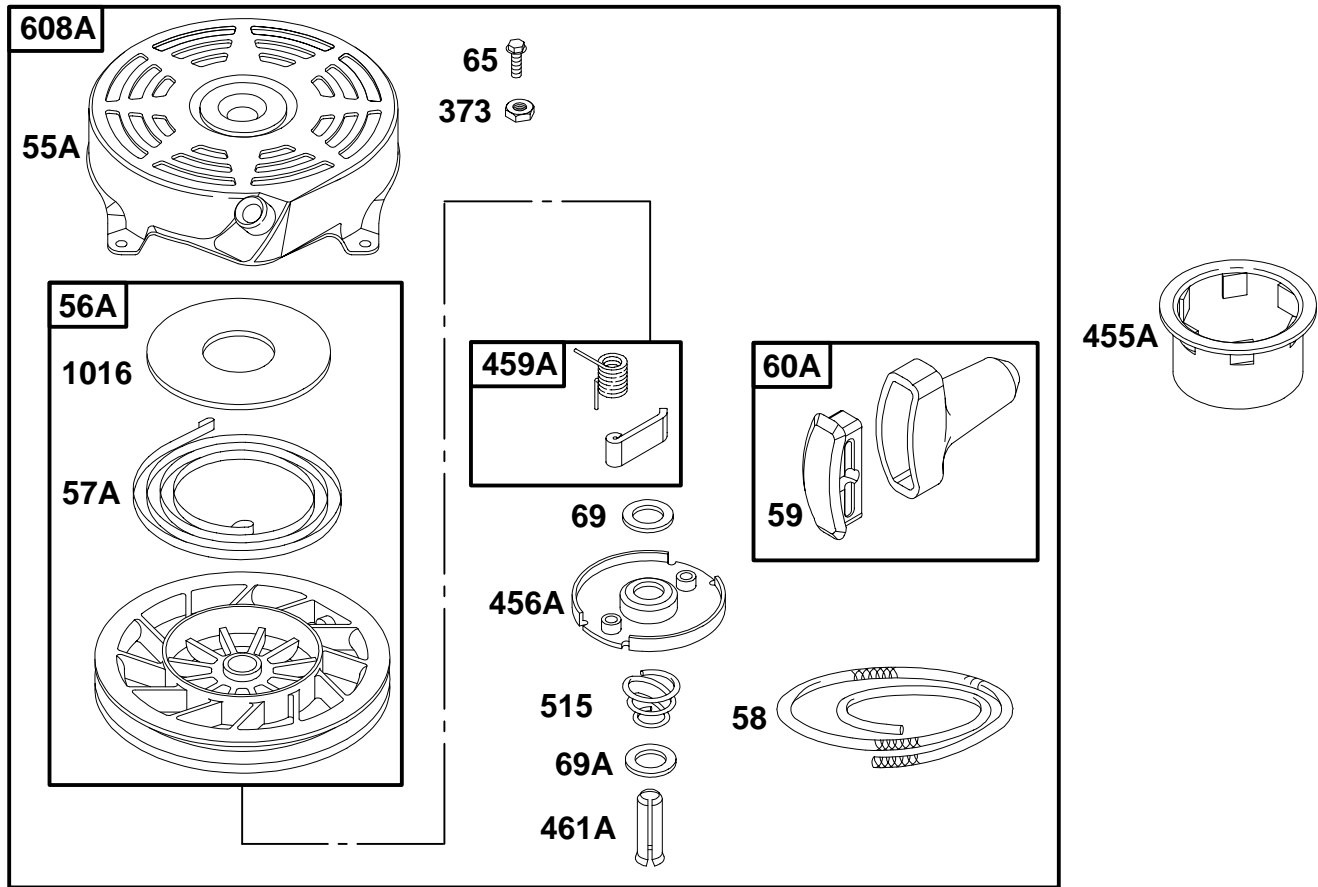


REF. NO.	PART NO.	DESCRIPTION	REF. NO.	PART NO.	DESCRIPTION	REF. NO.	PART NO.	DESCRIPTION
55	497440	Housing-Rewind Starter	60	281434	Grip-Starter Rope	461	94943	Screw-Shoulder
56	281504	Pulley-Starter	65	94128	Screw-Hex.	608	497680	Starter-Rewind
57	263074	Spring-Rewind Starter	369	263073	Spring-Friction			
58	280399	Rope-Starter (Cut To Required Length)	373	92987	Nut-Hex.			
			456	281503	Plate-Pawl Friction			
			459	281505	Pawl-Ratchet			

★ Included in Gasket Set-Part Number 497316.  
● Included in Carburetor Kit-See Ref. 121.

◆ Included in Carburetor Gasket Set-See Ref. 977.  
⊘ Included in Valve Overhaul Gasket Set-Part No. 498528.

12D800 to 12D899

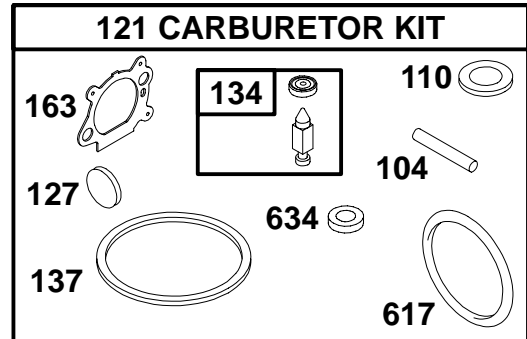
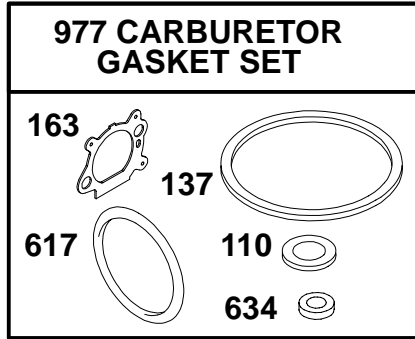
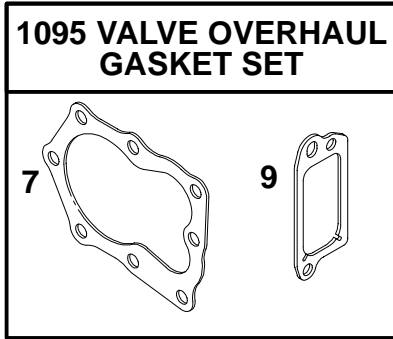
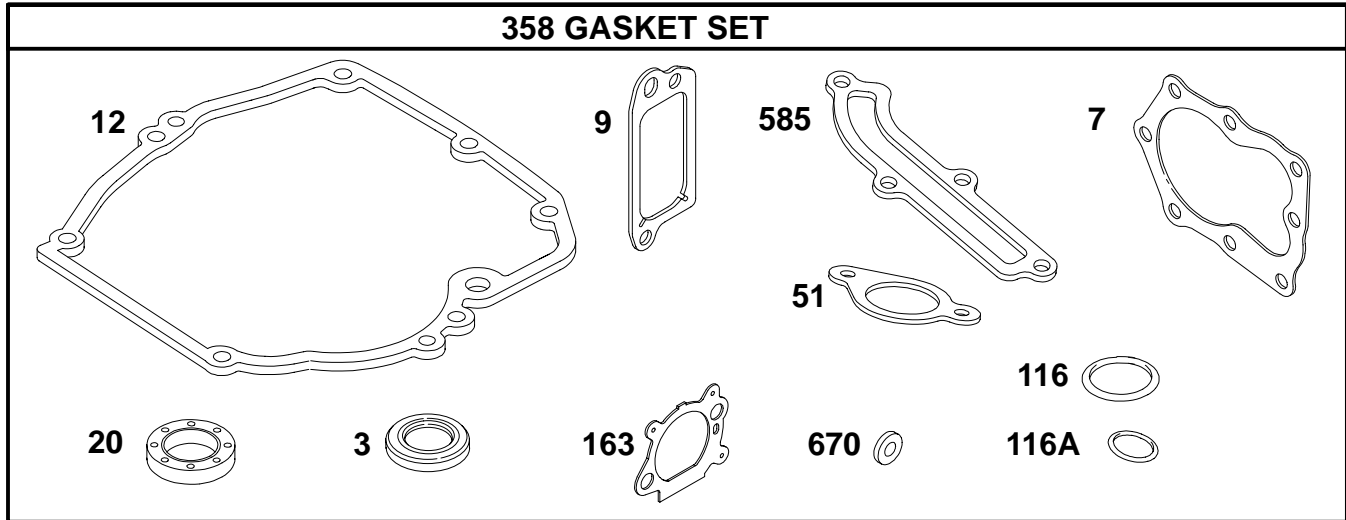


REF. NO.	PART NO.	DESCRIPTION	REF. NO.	PART NO.	DESCRIPTION	REF. NO.	PART NO.	DESCRIPTION
55A	492831	Housing-Rewind Starter	59	396892	Insert-Grip	456A	224321	Plate-Pawl Friction
56A	493824	Pulley-Starter	60A	393152	Grip-Starter Rope	459A	492833	Pawl-Ratchet
57A	262594	Spring-Rewind Starter	65	94686	Screw-Hex.	461A	262626	Pin-Shaft
58	280399	Rope-Starter (Cut To Required Length)	69	280973	Washer	515	262625	Spring-Friction
			69A	224322	Washer	608A	497598	Starter-Rewind
			373	92987	Nut-Hex.	1016	224278	Spacer-Rewind
			455A	224250	Cup-Flywheel			

★ Included in Gasket Set-Part Number 497316.  
 ● Included in Carburetor Kit-See Ref. 121.

◆ Included in Carburetor Gasket Set-See Ref. 977.  
 ◊ Included in Valve Overhaul Gasket Set-Part No. 498528.

# 12D800 to 12D899



REF. NO.	PART NO.	DESCRIPTION	REF. NO.	PART NO.	DESCRIPTION	REF. NO.	PART NO.	DESCRIPTION
3	★299819	Seal-Oil	121	498260	Carburetor Kit (Used After Code Date 95110200).	617	◆◆270344	Seal-Intake Manifold Washer (Sold in Kit Only) (Includes 2)
7	★272916	Gasket-Cylinder Head			<b>Note</b>	634	◆◆	
9	★272481	Gasket-Breather			493762 Carburetor Kit (Used Before Code Date 95110300).	670	★493823	Spacer
12	★272198	Gasket-Crankcase				977	498261	Gasket Set-Carburetor (Used After Code Date 95110200).
20	★399781	Seal-Oil						<b>Note</b>
51	★272199	Gasket-Intake	127	●	Plug-Welch (Sold in Kit Only)			490937 Gasket Set-Carburetor (Used Before Code Date 95110300).
104	●231371	Pin-Float Hinge	134	●398188	Valve-Needle (Includes Seat)	1095	498528	Gasket Set-Valve Overhaul
110	◆◆	Seal-O-Ring (Sold in Kit Only)	137	◆◆	Gasket-Float Bowl (Sold in Kit Only)			
116	★280393	Seal-Cap	163	◆◆272653	Gasket-Air Cleaner			
116A	★280966	Seal-O-Ring	358	497316	Gasket Set			
			585	★272238	Gasket-Breather			

★ Included in Gasket Set-Part Number 497316.  
● Included in Carburetor Kit-See Ref. 121.

◆◆ Included in Carburetor Gasket Set-See Ref. 977.  
⊘ Included in Valve Overhaul Gasket Set-Part No. 498528.