

## 12B800 to 12B899

# Illustrated Parts List

## Model Series

# 12B800 to 12B899

TYPE NUMBERS  
0600, 0808, 1108.

**TO FIND**  
**THE CORRECT NUMBER OF THE PART YOU NEED:**  
**FOLLOW THE INSTRUCTIONS BELOW**

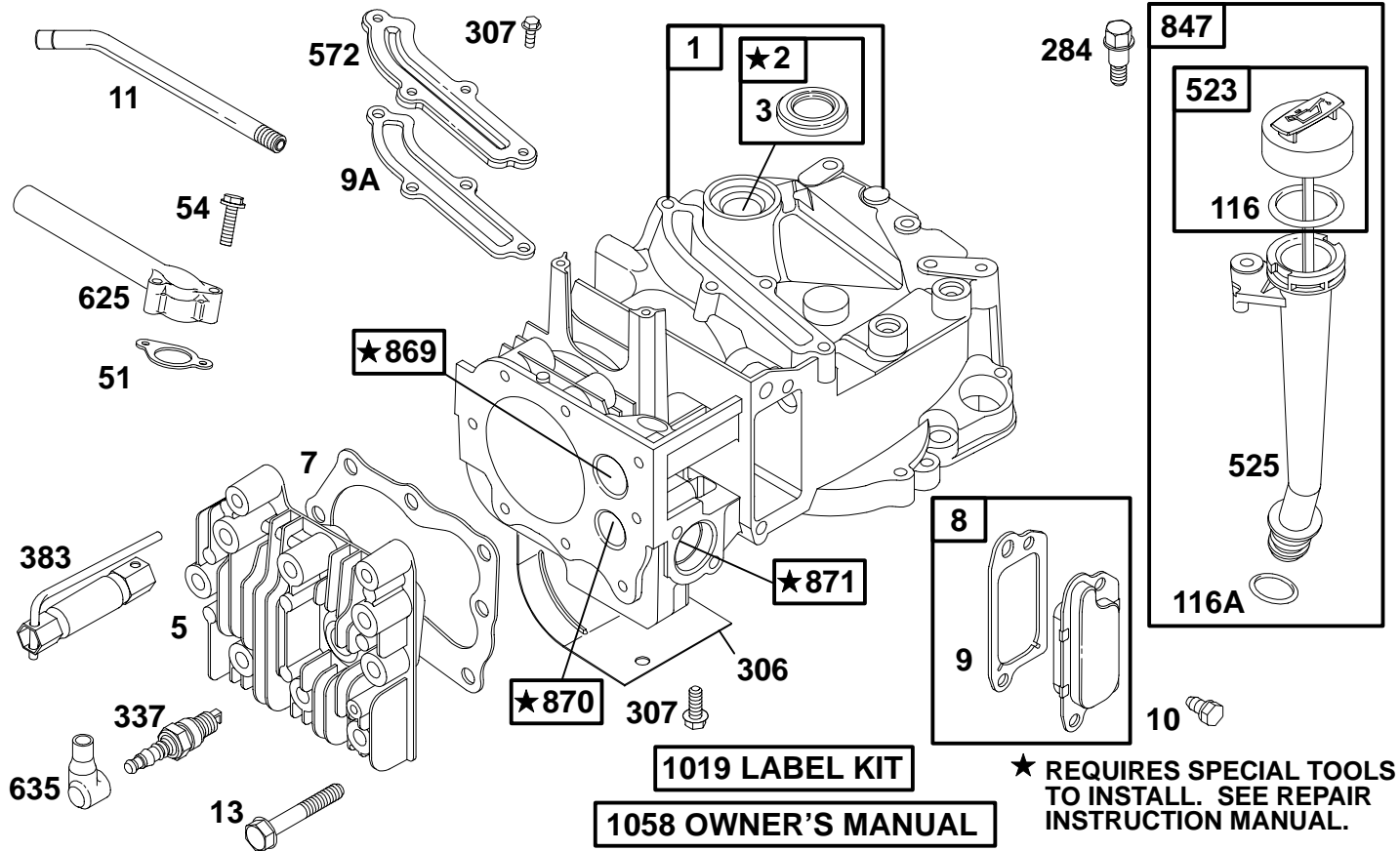
- A. Refer to Engine Model, Type and Code Number that is stamped on the blower housing of engine. Engine type numbers such as 0123 01 are listed only as 0123 in most instances. The two digits (01 or 02, etc.) to the right of the space may be required for more accurate parts identification in some instances. Select the Illustrated Parts List covering the correct Model Series and Type Number.
- B. Refer to the Illustrations and compare the original part with Illustration. The number next to the illustration is the Reference Number. Assemblies include all parts shown in frames. All parts shown in assembly frames having individual reference numbers can be purchased separately.
- C. After the Reference Number has been identified, refer to the Numerical text, where Reference and Primary Part Number are listed. **THE PRIMARY PART IS USED ON ALL TYPE NUMBERS EXCEPT THOSE TYPE NUMBERS UNDER "NOTE."**
- D. If a "Note" appears below the Primary Part Number, it means that this part differs from the Primary Part for certain types. If your Type number is listed under "Note," order the part referred to at the "Note."
- E. If your Engine Type Number does not appear after any part number listed under "Note," use the Primary Part Number.
- F. For Engine Type Numbers not covered by this book, check other Parts Lists having the same engine model or contact your source of supply.

PRINTED IN U.S.A.



COPYRIGHT by BRIGGS & STRATTON CORPORATION  
All rights reserved. No part of this material may be reproduced or transmitted, in any form or by any means, electronic or mechanical, including photocopying, recording or by any information storage and retrieval system, without permission in writing from Briggs & Stratton Corporation.

# 12B800 to 12B899

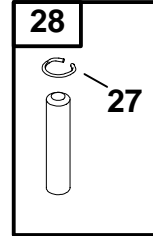
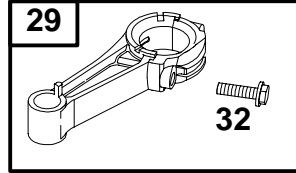
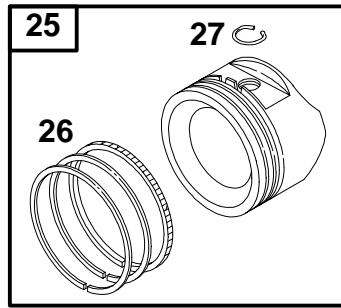


| REF. NO. | PART NO.    | DESCRIPTION  | REF. NO. | PART NO. | DESCRIPTION       | REF. NO. | PART NO. | DESCRIPTION                  |
|----------|-------------|--|----------|----------|-------------------|----------|----------|------------------------------|
| 1        | 493260      | Cylinder Assembly                                  | 10       | 94955    | Screw-Hex.        | 625      | 497465   | Manifold-Intake              |
| 2        | 293708      | Bushing  | 11       | 231685   | Tube-Breather     | 635      | 66538    | Boot-Spark Plug              |
| 3        | ★299819     | Seal-Oil   | 13       | 94547    | Screw-Hex.        | 847      | 495263   | Dipstick/Tube Assembly       |
| 5        | 214626      | Head-Cylinder<br>(Used After Code Date 96060200).  | 51       | ★272199  | Gasket-Intake     | 869      | 213512   | Seat-Valve (Intake)          |
|          | <b>Note</b> |  | 54       | 94526    | Screw-Hex.        | 870      | 213513   | Seat-Valve (Exhaust)         |
|          | 214349      | Head Cylinder<br>(Used Before Code Date 96060300). | 116A     | ★280966  | Seal-O-Ring       | 871      | 262001   | Bushing-Guide (Exhaust)      |
| 7        | ★272916     | Gasket-Cylinder Head                               | 284      | 94511    | Screw-Shoulder    |          |          | <b>Note</b>                  |
| 8        | 495786      | Breather Assembly                                  | 306      | 224324   | Shield-Cylinder   |          |          | 63709 Bushing-Guide (Intake) |
| 9        | ★272481     | Gasket-Breather                                    | 307      | 94515    | Screw-Hex.        | 1019     | 494256   | Label Kit                    |
| 9A       | ★272238     | Gasket-Breather                                    | 337      | 802592   | Plug-Spark        | 1058     | 272262   | Owner's Manual               |
|          |             |  | 383      | 89838    | Wrench-Spark Plug |          |          |                              |
|          |             |  | 523      | 495264   | Dipstick          |          |          |                              |
|          |             |  | 525      | 495265   | Tube-Oil Fill     |          |          |                              |
|          |             |  | 572      | 224328   | Cover-Breather    |          |          |                              |

★ Included in Gasket Set-Part Number 497316.  
● Included in Carburetor Kit-See Ref. No. 121.

◆ Included in Carburetor Gasket Set-See Ref. No. 977.  
◊ Included in Valve Overhaul Gasket Set-Part No. 498528.

12B800 to 12B899

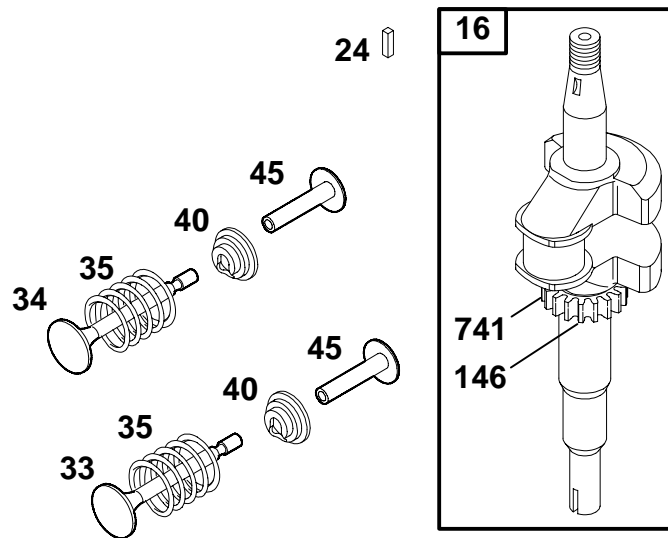


| REF. NO. | PART NO. | DESCRIPTION   | REF. NO. | PART NO. | DESCRIPTION  | REF. NO. | PART NO. | DESCRIPTION  |        |   |        |  |       |                      |
|----------|----------|---|----------|----------|--|----------|----------|--|--------|---|--------|--|-------|----------------------|
| 25       | 499429   | Piston Assembly (Standard) (Used After Code Date 97011200).<br><b>Note</b><br>493262 Piston Assy. (Standard) (Used Before Code Date 97011300).<br>499430 Piston Assy. (.010" O.S.) (Used After Code Date 97011200).<br>493385 Piston Assy. (.010" O.S.) (Used Before Code Date 97011300).<br>499431 Piston Assy. (.020" O.S.) (Used After Code Date 97011200).<br>493386 Piston Assy. (.020" O.S.) (Used Before Code Date 97011300).<br>499432 Piston Assy. (.030" O.S.) (Used After Code Date 97011200).<br>493387 Piston Assy. (.030" O.S.) (Used Before Code Date 97011300). | 26       | 499425   | Ring Set (Standard) (Used After Code Date 97011200).<br><b>Note</b><br>493261 Ring Set (Standard) (Used Before Code Date 97011300).<br>499426 Ring Set (.010" O.S.) (Used After Code Date 97011200).<br>493388 Ring Set (.010" O.S.) (Used Before Code Date 97011300).<br>499427 Ring Set (.020" O.S.) (Used After Code Date 97011200).<br>493389 Ring Set (.020" O.S.) (Used Before Code Date 97011300).<br>499428 Ring Set (.030" O.S.) (Used After Code Date 97011200).<br>493390 Ring Set (.030" O.S.) (Used Before Code Date 97011300). | 27       | 263190   | Lock-Piston Pin (Used After Code Date 97011200).<br><b>Note</b><br>26026 Lock-Piston Pin (Used Before Code Date 97011300).<br>28 | 499423 | Pin-Piston (Standard) (Used After Code Date 97011200).<br><b>Note</b><br>298909 Pin-Piston (Standard) (Used Before Code Date 97011300).<br>298908 Pin-Piston (.005" O.S.) (Used Before Code Date 97011300).<br>29 | 499424 | Rod-Connecting (Standard) (Used After Code Date 97011200).<br><b>Note</b><br>490566 Rod-Connecting (Standard) (Used Before Code Date 97011300).<br>490743 Rod-Connecting (.020" Undersize) (Used Before Code Date 97011300).<br>32 | 94699 | Screw-Connecting Rod |

★ Included in Gasket Set-Part Number 497316.  
● Included in Carburetor Kit-See Ref. No. 121.

◆ Included in Carburetor Gasket Set-See Ref. No. 977.  
◊ Included in Valve Overhaul Gasket Set-Part No. 498528.

# 12B800 to 12B899

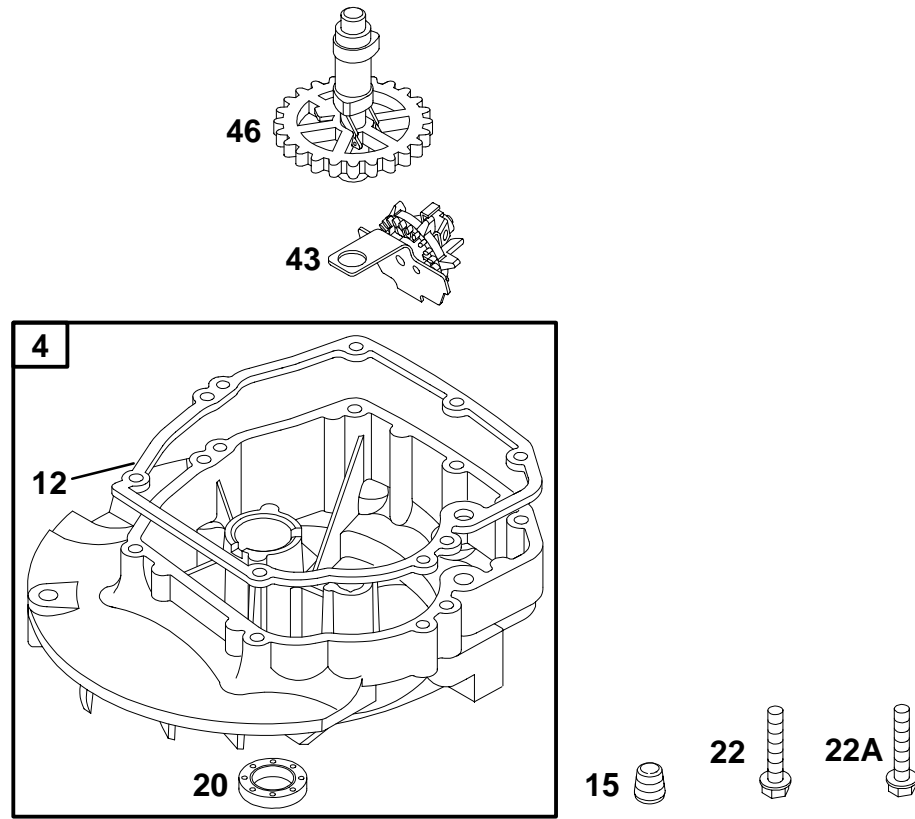


| REF. NO. | PART NO. | DESCRIPTION   | REF. NO. | PART NO. | DESCRIPTION   | REF. NO. | PART NO. | DESCRIPTION    |
|----------|----------|---|----------|----------|---------------|----------|----------|----------------|
| 16       | 498562   | Crankshaft<br>(Used After Code Date 97011200).<br><b>Note</b><br>493282 Crankshaft<br>(Used Before Code Date 97011300). | 24       | 222698   | Key-Flywheel  | 40       | 93312    | Retainer-Valve |
|          |          |   | 33       | 262651   | Valve-Exhaust | 45       | 262204   | Tappet-Valve   |
|          |          |   | 34       | 262652   | Valve-Intake  | 146      | 94388    | Key-Timing     |
|          |          |   | 35       | 262224   | Spring-Valve  | 741      | 262598   | Gear-Timing    |

★ Included in Gasket Set-Part Number 497316.  
● Included in Carburetor Kit-See Ref. No. 121.

◆ Included in Carburetor Gasket Set-See Ref. No. 977.  
◊ Included in Valve Overhaul Gasket Set-Part No. 498528.

12B800 to 12B899

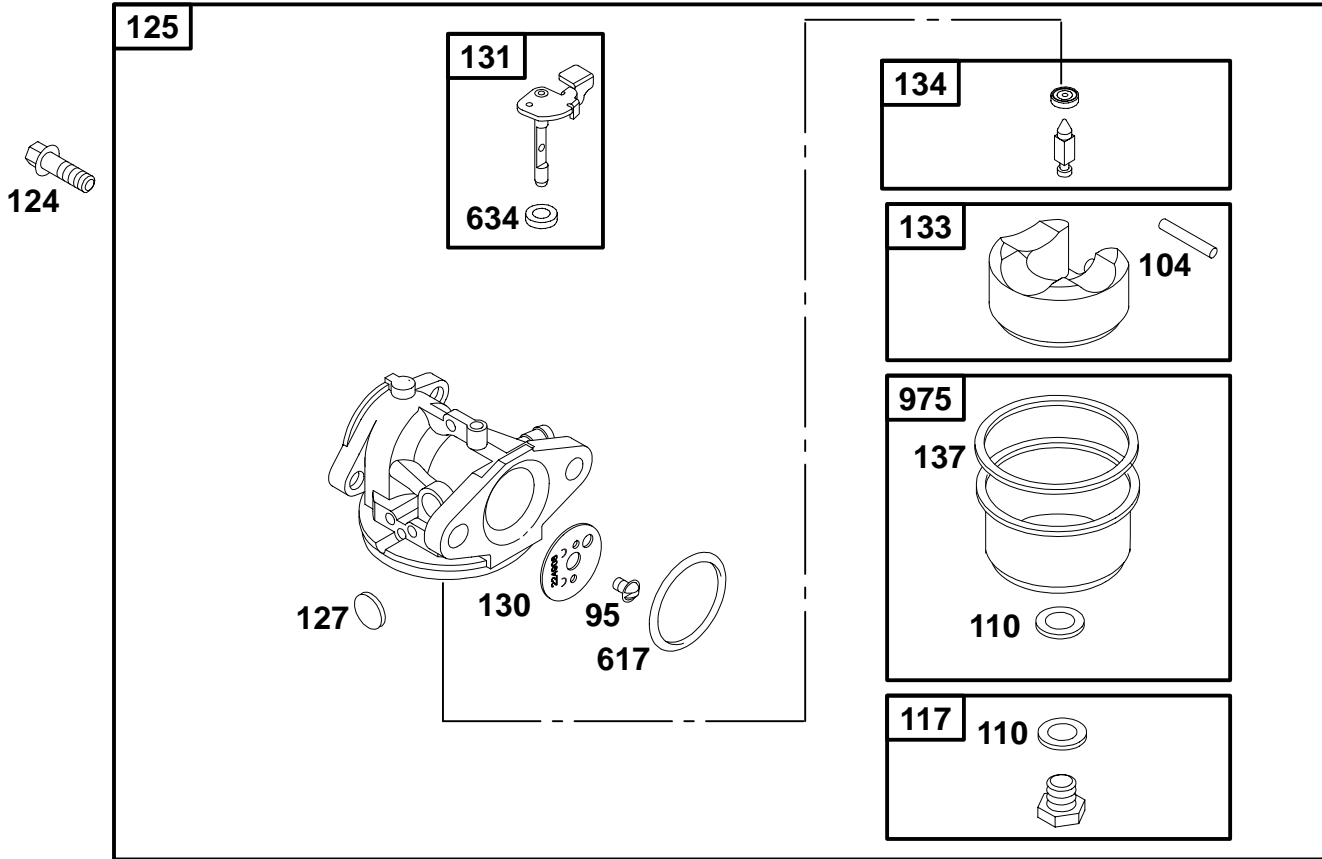


| REF. NO. | PART NO. | DESCRIPTION      | REF. NO. | PART NO. | DESCRIPTION                                  | REF. NO.   | PART NO. | DESCRIPTION                                  |
|----------|----------|------------------|----------|----------|--|--|----------|--|
| 4        | 493279   | Sump-Engine      | 22A      | 94612    | Screw-Hex.<br>(Use in Hole Nearest Breather) | 46   | 498275   | Gear-Cam<br>(Used After Code Date 96060200). |
| 12       | ★272198  | Gasket-Crankcase | 43       | 493737   | Governor/Oil Slinger                         | <b>Note</b><br><b>492830</b> Gear-Cam<br>(Used Before Code Date 96060300). |          |  |
| 15       | 94880    | Plug-Oil Drain   |          |          |  |  |          |  |
| 20       | ★399781  | Seal-Oil         |          |          |  |  |          |  |
| 22       | 94220    | Screw-Hex.       |          |          |  |  |          |  |

★ Included in Gasket Set-Part Number 497316.  
 ● Included in Carburetor Kit-See Ref. No. 121.

◆ Included in Carburetor Gasket Set-See Ref. No. 977.  
 ◊ Included in Valve Overhaul Gasket Set-Part No. 498528.

# 12B800 to 12B899

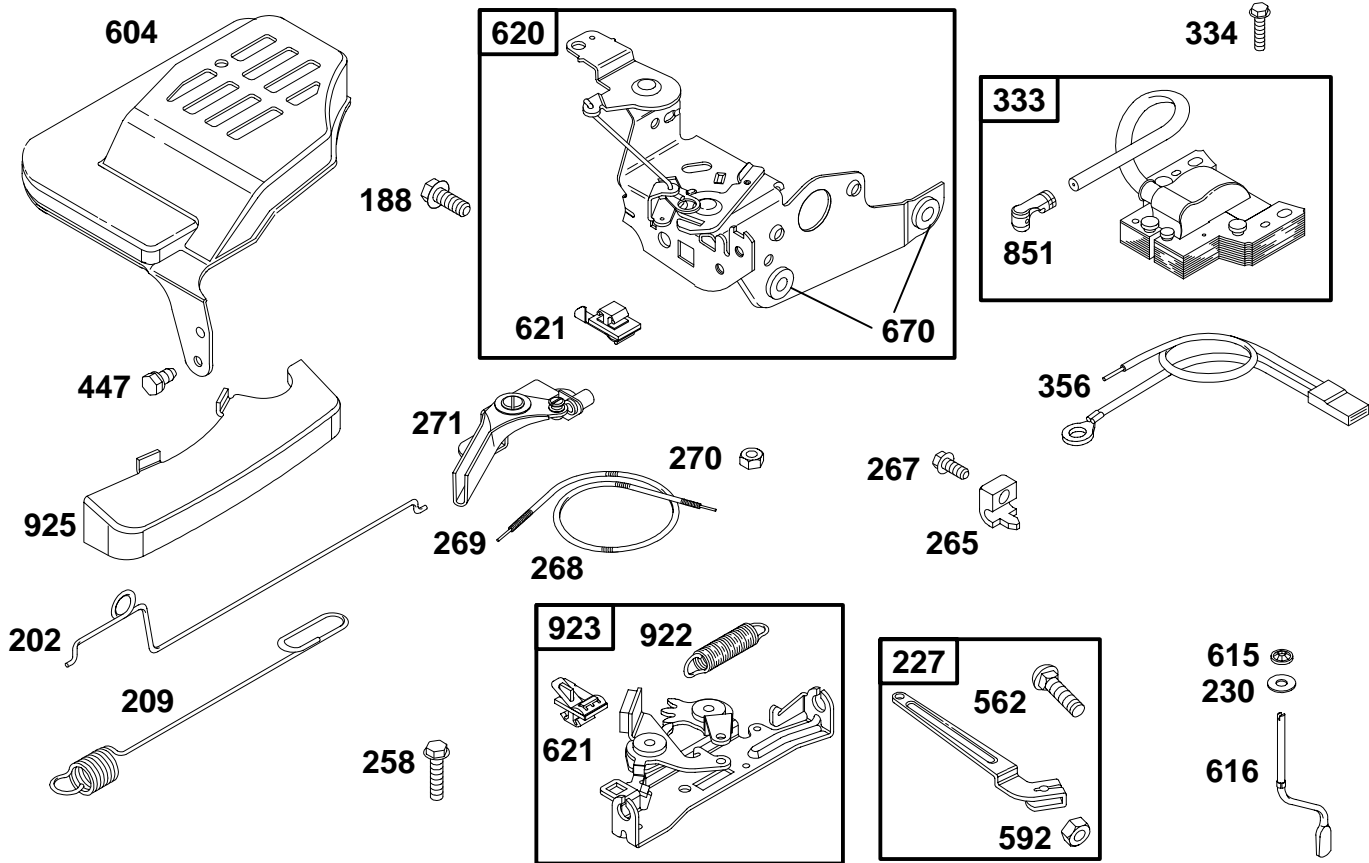


| REF. NO. | PART NO. | DESCRIPTION   | REF. NO. | PART NO. | DESCRIPTION  | REF. NO. | PART NO. | DESCRIPTION                       |
|----------|----------|---|----------|----------|--|----------|----------|-----------------------------------|
| 95       | 94098    | Screw-Round Head  | 124      | 94525    | Screw-Hex.   | 133      | 398187   | Float-Carburetor                  |
| 104      | 231371   | Pin-Float Hinge   | 125      | 498170   | Carburetor<br>(Used After Code Date 95102900).         | 134      | 398188   | Valve-Needle<br>(Includes Seat)   |
| 110      | ◆        | Washer-Bowl<br>(Sold in Kit Only)                                       |          |          | <b>Note</b>  | 137      | ◆        | Gasket-Bowl<br>(Sold in Kit Only) |
| 117      | 494870   | Jet-Main<br>(Standard)  |          |          | 497314 Carburetor<br>(Used Before Code Date 95103000). | 617      | ◆270344  | Seal-Intake Manifold              |
|          |          | <b>Note</b>   | 127      | ●        | Plug-Welch<br>(Sold in Kit Only)                       | 634      | ◆        | Washer-Foam<br>(Sold in Kit Only) |
|          |          | 497315 Jet-Main<br>(Standard)<br>(Used Before Code Date 95103000).      | 130      | 224908   | Valve-Throttle   | 975      | 493640   | Bowl-Float                        |
|          |          | 497315 Jet-Main<br>(High Altitude)                                      | 131      | 493267   | Shaft-Throttle   |          |          |                                   |
|          |          | 497348 Jet-Main<br>(High Altitude)<br>(Used Before Code Date 95103000). |          |          |  |          |          |                                   |

★ Included in Gasket Set-Part Number 497316.  
● Included in Carburetor Kit-See Ref. No. 121.

◆ Included in Carburetor Gasket Set-See Ref. No. 977.  
◊ Included in Valve Overhaul Gasket Set-Part No. 498528.

12B800 to 12B899

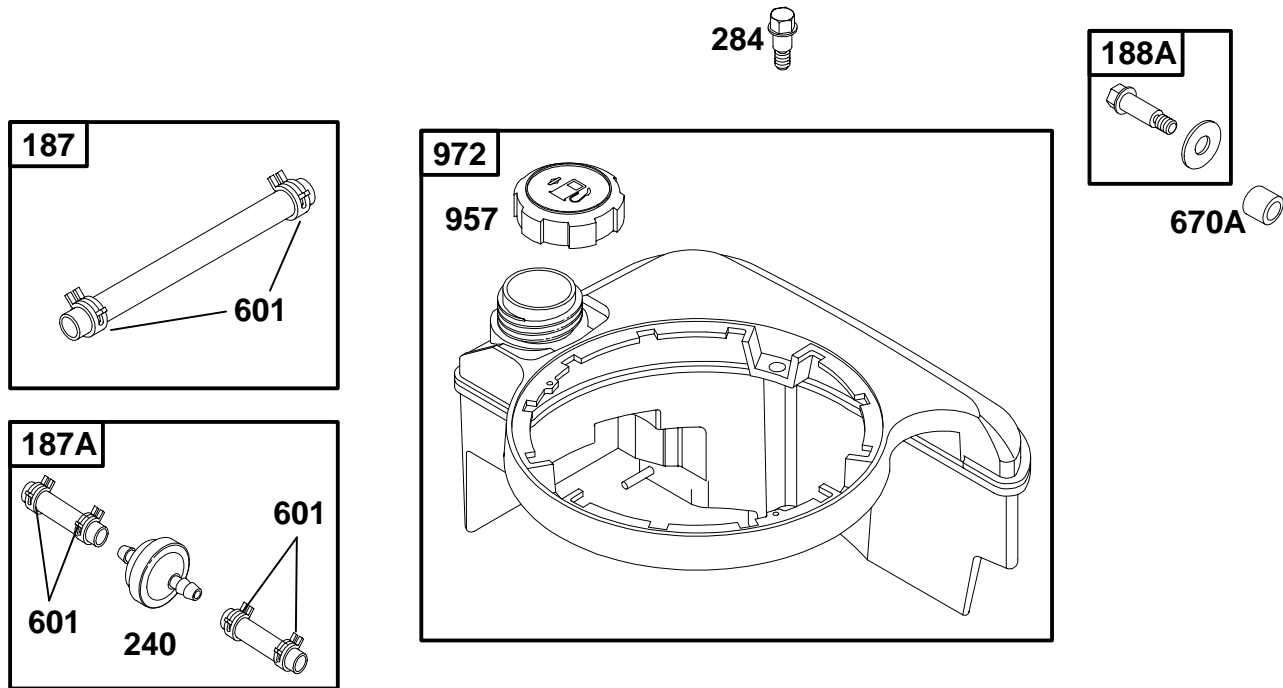


| REF. NO. | PART NO. | DESCRIPTION                             | REF. NO. | PART NO. | DESCRIPTION                              | REF. NO.                                 | PART NO. | DESCRIPTION            |                   |
|----------|----------|---|----------|----------|--|--|----------|------------------------|-------------------|
| 188      | 94644    | Screw-Hex.                              | 269      | 26633    | Wire-Control<br>(Cut to Required Length) | 592                                      | 231082   | Nut-Hex.               |                   |
| 202      | 262579   | Link-Mechanical Governor                |          |          | <b>Note</b>                              | 604                                      | 225103   | Cover-Control          |                   |
| 209      | 263046   | Spring-Governor                         |          |          | 26099                                    | Wire-Control<br>(Cut to Required Length) | 615      | 94474                  | Retainer-Governor |
| 227      | 492349   | Lever-Governor                          | 270      | 63426    | Locknut-Casing                           | 616                                      | 263175   | Crank-Governor         |                   |
| 230      | 67072    | Washer                                  | 271      | 290568   | Lever-Control                            | 620                                      | 497203   | Bracket-Control        |                   |
| 258      | 94512    | Screw-Slotted Hex.                      | 333      | 802574   | Armature-Magneto                         | 621                                      | 396847   | Switch-Stop            |                   |
| 265      | 213146   | Clamp-Casing                            | 334      | 94731    | Screw-Hex.                               | 670                                      | ★493823  | Spacer<br>(Includes 2) |                   |
| 267      | 94882    | Screw-Slotted Hex.                      | 356      | 398808   | Wire-Stop                                | 851                                      | 493880   | Terminal-Cable         |                   |
| 268      | 65616    | Casing-Wire<br>(Cut to Required Length) | 447      | 93801    | Screw-Hex.                               | 922                                      | 262640   | Spring-Brake           |                   |
|          |          | <b>Note</b>                             | 562      | 94907    | Bolt-Governor Lever                      | 923                                      | 493442   | Brake                  |                   |
|          |          | 66986                                   |          |          |  | 925                                      | 281145   | Cover-Linkage          |                   |
|          |          | Casing-Wire<br>(Cut to Required Length) |          |          |  |  |          |                        |                   |

★ Included in Gasket Set-Part Number 497316.  
● Included in Carburetor Kit-See Ref. No. 121.

◆ Included in Carburetor Gasket Set-See Ref. No. 977.  
◊ Included in Valve Overhaul Gasket Set-Part No. 498528.

# 12B800 to 12B899



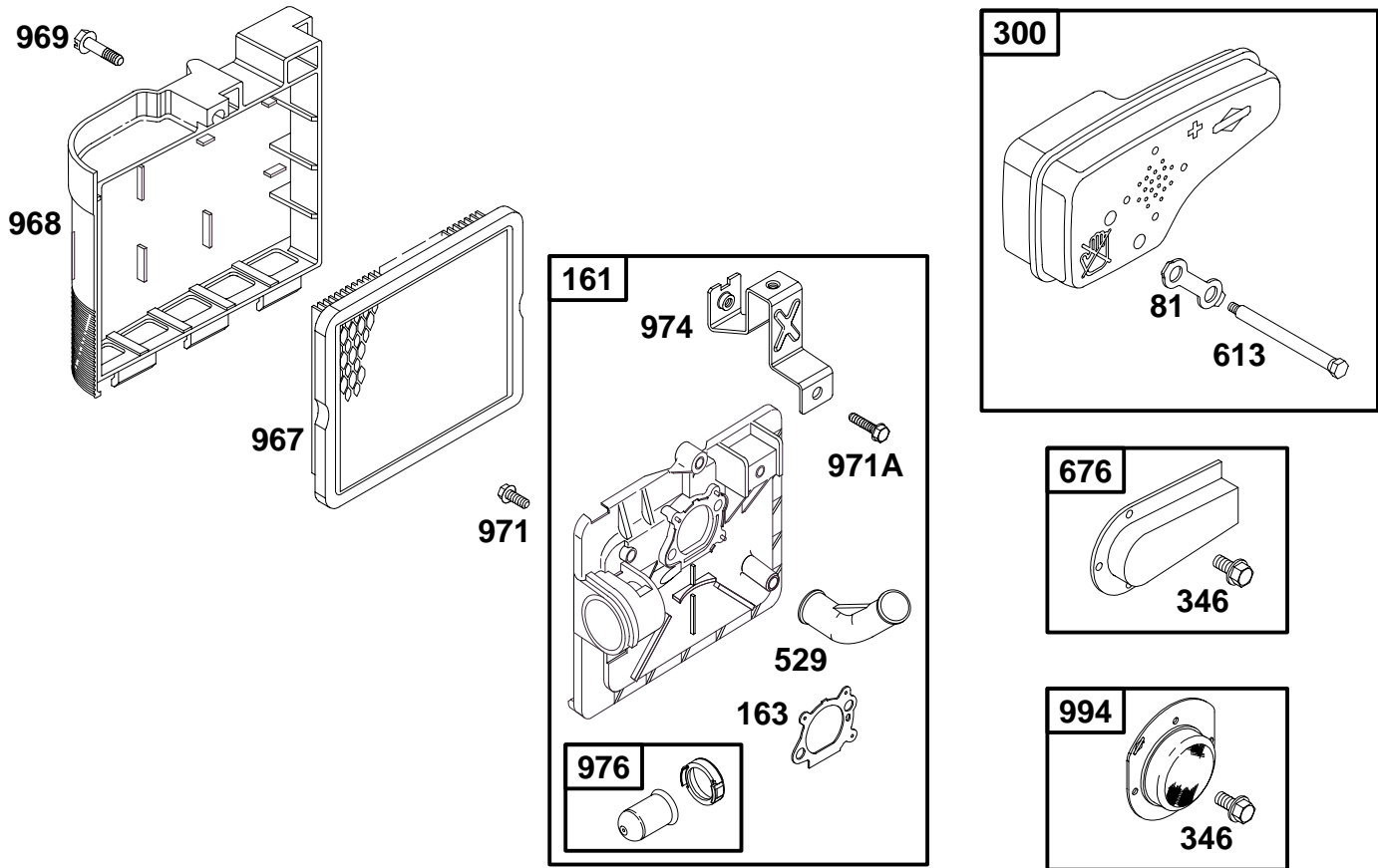
| REF. NO. | PART NO. | DESCRIPTION    | REF. NO. | PART NO. | DESCRIPTION    | REF. NO. | PART NO. | DESCRIPTION      |
|----------|----------|----------------|----------|----------|----------------|----------|----------|------------------|
| 187      | 492790   | Line-Fuel      | 240      | 298090   | Filter-Fuel    | 670A     | 280512   | Spacer-Fuel Tank |
| 187A     | 498171   | Line-Fuel      | 284      | 94511    | Screw-Shoulder | 957      | 397974   | Cap-Fuel Tank    |
| 188A     | 398540   | Screw-Shoulder | 601      | 93053    | Clamp-Hose     | 972      | 495224   | Tank-Fuel        |

★ Included in Gasket Set-Part Number 497316.  
 ● Included in Carburetor Kit-See Ref. No. 121.

◆ Included in Carburetor Gasket Set-See Ref. No. 977.  
 ◊ Included in Valve Overhaul Gasket Set-Part No. 498528.



12B800 to 12B899

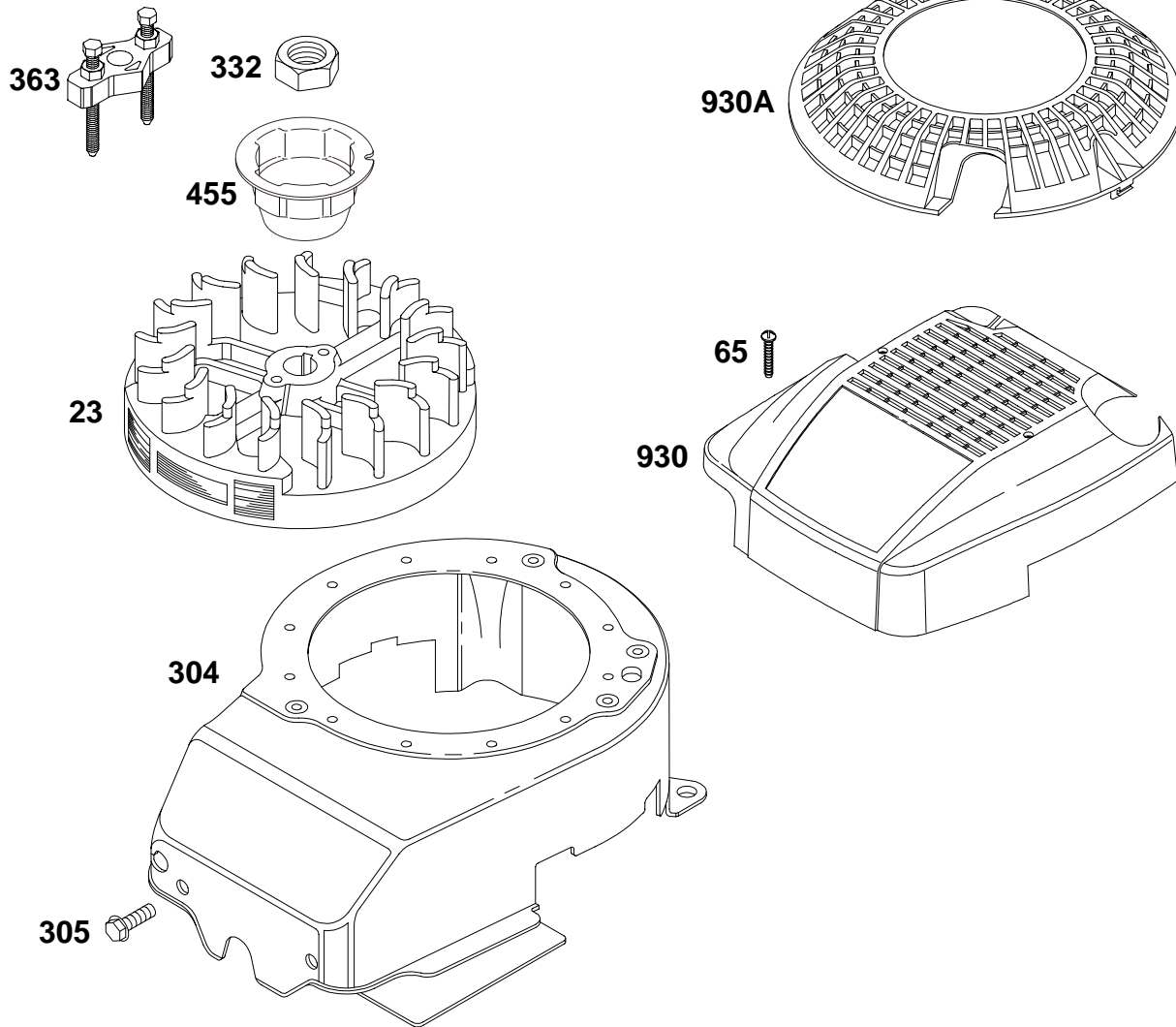


| REF. NO. | PART NO. | DESCRIPTION        | REF. NO. | PART NO. | DESCRIPTION        | REF. NO. | PART NO. | DESCRIPTION       |
|----------|----------|--------------------|----------|----------|--------------------|----------|----------|-------------------|
| 81       | 223664   | Lock-Muffler Screw | 613      | 94231    | Screw-Shoulder     | 971      | 94873    | Screw-Hex.        |
| 161      | 496116   | Base-Air Cleaner   | 676      | 493871   | Deflector-Muffler  | 971A     | 94749    | Screw-Hex.        |
| 163      | ★◆272653 | Gasket-Air Cleaner | 967      | 491588   | Filter-Air         | 974      | 224815   | Bracket-Support   |
| 300      | 496106   | Muffler-Exhaust    | 968      | 281340   | Cover-Air Cleaner  | 976      | 496115   | Primer-Carburetor |
| 346      | 93705    | Screw-Hex.         | 969      | 94872    | Screw-Slotted Hex. | 994      | 398067   | Arrester-Spark    |
| 529      | 281299   | Grommet            |          |          |                    |          |          |                   |

★ Included in Gasket Set-Part Number 497316.  
 ● Included in Carburetor Kit-See Ref. No. 121.

◆ Included in Carburetor Gasket Set-See Ref. No. 977.  
 ◊ Included in Valve Overhaul Gasket Set-Part No. 498528.

# 12B800 to 12B899

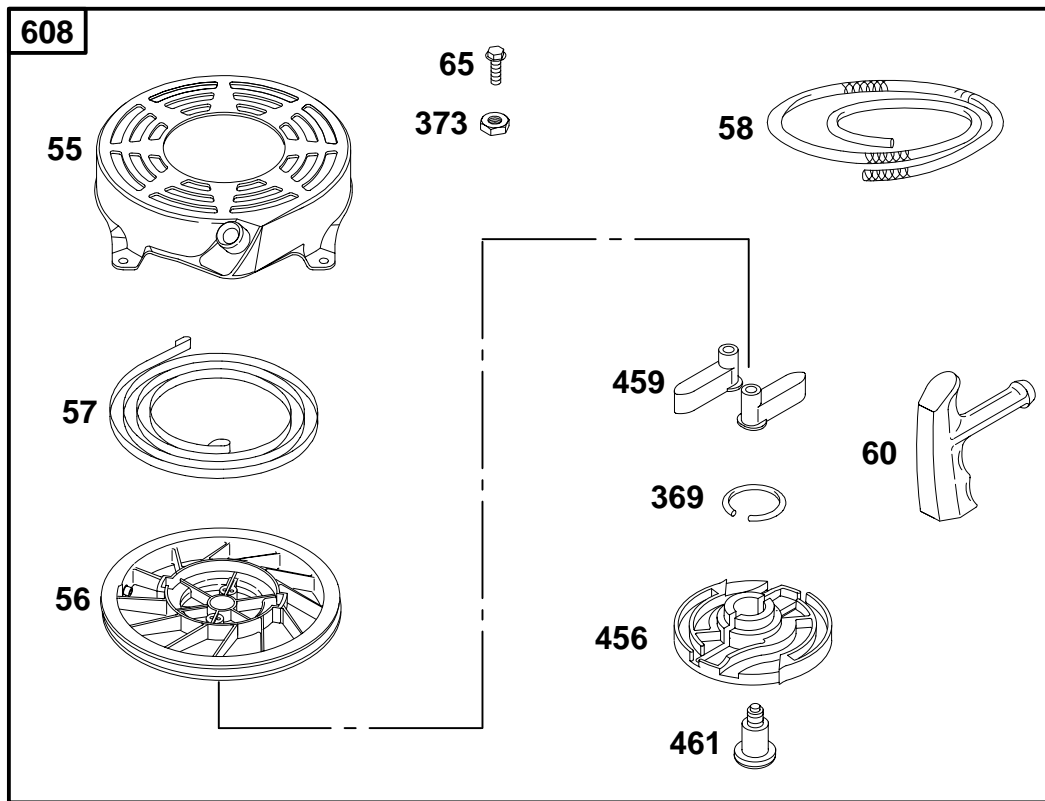


| REF. NO. | PART NO. | DESCRIPTION    | REF. NO. | PART NO. | DESCRIPTION     | REF. NO. | PART NO. | DESCRIPTION          |
|----------|----------|----------------|----------|----------|-----------------|----------|----------|----------------------|
| 23       | 492177   | Flywheel       | 305      | 94744    | Screw-Hex.      | 455      | 225121   | Cup-Flywheel         |
| 65       | 94696    | Screw-Phillips | 332      | 92284    | Nut-Flywheel    | 930      | 497233   | Cover-Blower Housing |
| 304      | 493293   | Housing-Blower | 363      | 19069    | Flywheel Puller | 930A     | 281136   | Guard-Rewind         |

★ Included in Gasket Set-Part Number 497316.  
 ● Included in Carburetor Kit-See Ref. No. 121.

◆ Included in Carburetor Gasket Set-See Ref. No. 977.  
 ◊ Included in Valve Overhaul Gasket Set-Part No. 498528.

12B800 to 12B899

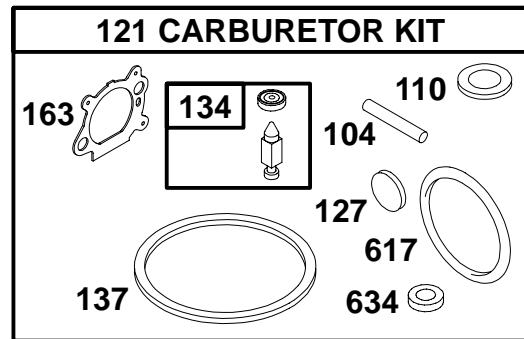
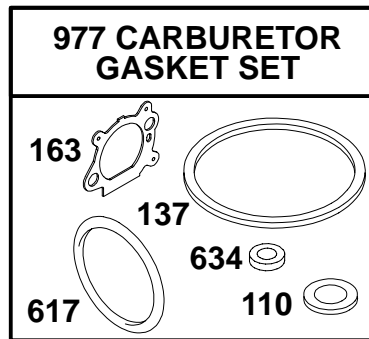
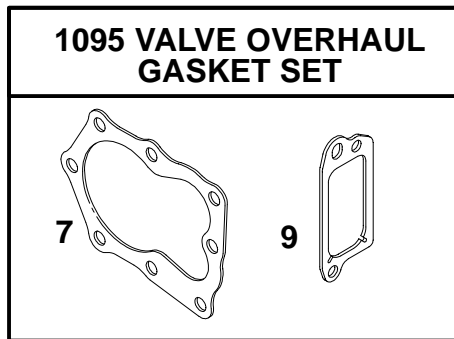
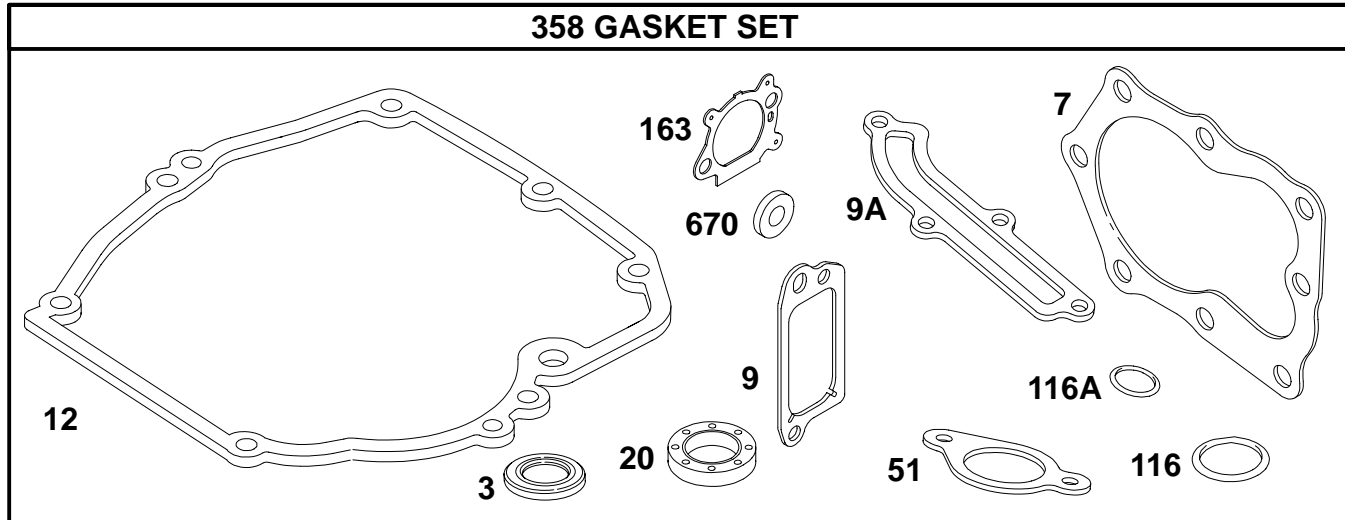


| REF. NO. | PART NO. | DESCRIPTION            | REF. NO. | PART NO. | DESCRIPTION                           | REF. NO. | PART NO. | DESCRIPTION         |
|----------|----------|------------------------|----------|----------|---------------------------------------|----------|----------|---------------------|
| 55       | 497440   | Housing-Rewind Starter | 58       | 280399   | Rope-Starter (Cut To Required Length) | 373      | 92987    | Nut-Hex.            |
| 56       | 281504   | Pulley-Starter         | 60       | 281434   | Grip-Starter Rope                     | 456      | 281503   | Plate-Pawl Friction |
| 57       | 263074   | Spring-Rewind Starter  | 65       | 94686    | Screw-Hex.                            | 459      | 281505   | Pawl-Ratchet        |
|          |          |                        | 369      | 263073   | Spring-Friction                       | 461      | 94943    | Screw-Shoulder      |
|          |          |                        |          |          |                                       | 608      | 497680   | Starter-Rewind      |

★ Included in Gasket Set-Part Number 497316.  
 ● Included in Carburetor Kit-See Ref. No. 121.

◆ Included in Carburetor Gasket Set-See Ref. No. 977.  
 ◊ Included in Valve Overhaul Gasket Set-Part No. 498528.

# 12B800 to 12B899



| REF. NO. | PART NO. | DESCRIPTION                    | REF. NO. | PART NO. | DESCRIPTION   | REF. NO. | PART NO. | DESCRIPTION  |
|----------|----------|--------------------------------|----------|----------|---|----------|----------|--|
| 3        | ★299819  | Seal-Oil                       | 121      | 498260   | Carburetor Kit (Used After Code Date 95110200).         | 617      | ◆270344  | Seal-Intake Manifold Washer (Sold in Kit Only) (Includes 2)    |
| 7        | ★272916  | Gasket-Cylinder Head           |          |          | <b>Note</b>   | 634      | ◆        |  |
| 9        | ★272481  | Gasket-Breather                |          |          | 493762 Carburetor Kit (Used Before Code Date 95110300). | 670      | ★493823  | Spacer   |
| 9A       | ★272238  | Gasket-Breather                |          |          | 127 ● Plug-Welch (Sold in Kit Only)                     | 977      | 498261   | Gasket Set-Carburetor (Used After Code Date 95110200).         |
| 12       | ★272198  | Gasket-Crankcase               |          |          | 134 ●398188 Valve-Needle (Includes Seat)                |          |          | <b>Note</b>  |
| 20       | ★399781  | Seal-Oil                       |          |          | 137 ◆ Gasket-Float Bowl (Sold in Kit Only)              |          |          | 490937 Gasket Set-Carburetor (Used Before Code Date 95110300). |
| 51       | ★272199  | Gasket-Intake                  |          |          | 163★◆272653 Gasket-Air Cleaner                          | 1095     | 498528   | Gasket Set-Valve Overhaul                                      |
| 104      | ●231371  | Pin-Float Hinge                |          |          | 358 497316 Gasket Set                                   |          |          |  |
| 110      | ◆        | Seal-O-Ring (Sold in Kit Only) |          |          |   |          |          |  |
| 116      | ★280393  | Seal-O-Ring                    |          |          |   |          |          |  |
| 116A     | ★280966  | Seal-O-Ring                    |          |          |   |          |          |  |

★ Included in Gasket Set-Part Number 497316.  
● Included in Carburetor Kit-See Ref. No. 121.

◆ Included in Carburetor Gasket Set-See Ref. No. 977.  
◊ Included in Valve Overhaul Gasket Set-Part No. 498528.