

**126800 to 126899**

# Illustrated Parts List

## Industrial/Commercial®

### Model Series

# 126800 to 126899

## TYPE NUMBERS

0106, 0221, 0222,  
0240, 0406, 0407,  
0410, 0411, 0412,  
0414 through 0418,  
0420 through 0428,  
0508, 0509, 0511,  
3100, 3106, 3153,  
3154, 3208, 3215.

## TYPE NUMBERS

3217, 3218, 3219,  
3222, 3223, 3224,  
3226, 3406, 3408,  
3409,  
3411 through 3417,  
3421 through 3434,  
3436, 3437, 3438,  
3452, 4401, 4402,  
7415, 7416.

**TO FIND****THE CORRECT NUMBER OF THE PART YOU NEED:****FOLLOW THE INSTRUCTIONS BELOW**

- A. Refer to Engine Model, Type and Code Number that is stamped on the blower housing of engine. Engine type numbers such as 0123 01 are listed only as 0123 in most instances. The two digits (01 or 02, etc.) to the right of the space may be required for more accurate parts identification in some instances. Select the Illustrated Parts List covering the correct Model Series and Type Number.
- B. Refer to the Illustrations and compare the original part with Illustration. The number next to the illustration is the Reference Number. Assemblies include all parts shown in frames. All parts shown in assembly frames having individual reference numbers can be purchased separately.
- C. After the Reference Number has been identified, refer to the Numerical text, where Reference and Primary Part Number are listed. **THE PRIMARY PART IS USED ON ALL TYPE NUMBERS EXCEPT THOSE TYPE NUMBERS UNDER "NOTE."**
- D. If a "Note" appears below the Primary Part Number, it means that this part differs from the Primary Part for certain types. If your Type number is listed under "Note," order the part referred to at the "Note."
- E. If your Engine Type Number does not appear after any part number listed under "Note," use the Primary Part Number.
- F. For Engine Type Numbers not covered by this book, check other Parts Lists having the same engine model or contact your source of supply.

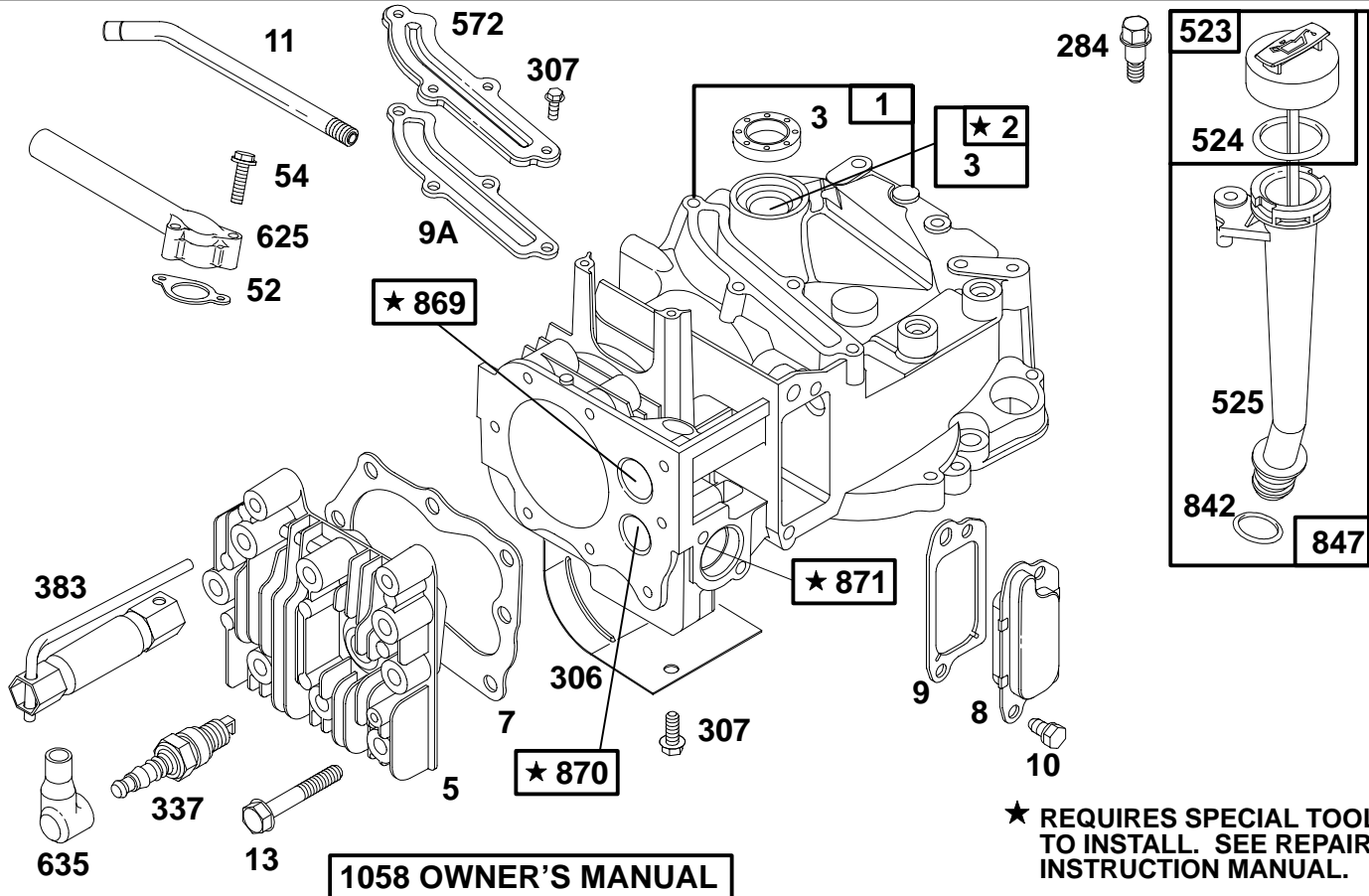
PRINTED IN U.S.A.

COPYRIGHT©

**BRIGGS & STRATTON**

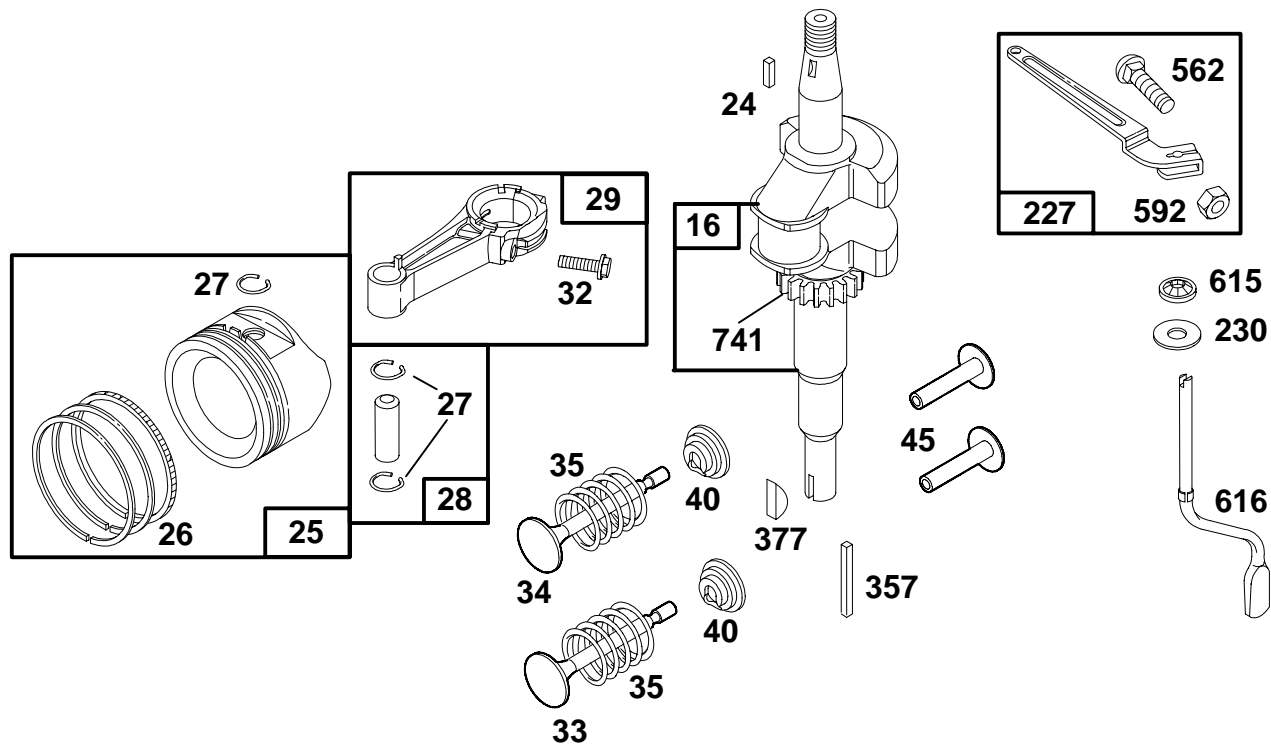
®

# 126800 to 126899



| REF. NO. | PART NO. | DESCRIPTION                                     | REF. NO. | PART NO. | DESCRIPTION                       | REF. NO.      | PART NO.          | DESCRIPTION                       |                 |                               |
|----------|----------|---|----------|----------|-----------------------------------|---------------|-------------------|-----------------------------------|-----------------|-------------------------------|
| 1        | 494062   | Cylinder Assembly                               |          |          | <b>Note</b>                       | 572           | 224328            | Baffle-Cylinder                   |                 |                               |
| 2        | 399269   | Bushing   |          |          | 492167                            | Plug-Spark    | 625               | 492717                            | Manifold-Intake |                               |
| 3        | ★299819  | Seal-Oil  |          |          | (1-7/8" High, 48 mm)              | 635           | 66538             | Boot-Spark Plug                   |                 |                               |
| 5        | 213861   | Head-Cylinder                                   | 383      | 89838    | Wrench-Spark Plug                 | 842           | ★280966           | Seal-O-Ring                       |                 |                               |
| 7        | ★272200  | Gasket-Cylinder Hd.                             | 523      | 495264   | Cap-Oil Fill                      | 847           | 495263            | Tube-Oil                          |                 |                               |
| 8        | 494489   | Breather Assembly                               |          |          | (Used After Code Date 92072600).  |               |                   | (Used After Code Date 92072600).  |                 |                               |
| 9        | ★272481  | Gasket-Breather                                 |          |          | <b>Note</b>                       |               |                   | <b>Note</b>                       |                 |                               |
| 9A       | ★272238  | Gasket-Breather                                 |          |          | 493950                            | Cap-Oil Fill  |                   | 493459                            | Tube-Oil        |                               |
| 10       | 94650    | Screw-Hex. Head                                 |          |          | (Used Before Code Date 92072700). |               |                   | (Used Before Code Date 92072700). |                 |                               |
| 11       | 231685   | Tube-Breather                                   |          |          | 524                               | ★280393       | Seal-Intake Elbow | 869                               | 213512          | Seat-Intake Valve             |
| 13       | 94547    | Screw-Cylinder Hd.                              |          |          | 525                               | 495265        | Tube-Oil Fill     | 870                               | 213513          | Seat-Exhaust Valve            |
| 52       | ★272199  | Gasket-Intake Elbow                             |          |          | (Used After Code Date 92072600).  |               |                   | 871                               | 262001          | Bushing-Guide (Exhaust Valve) |
| 54       | 94526    | Screw-Hex. Head                                 |          |          | <b>Note</b>                       |               |                   |                                   | <b>Note</b>     |                               |
| 284      | 94511    | Screw-Hex. Head                                 |          |          | 493952                            | Tube-Oil Fill |                   |                                   | 63709           | Bushing-Guide (Intake Valve)  |
| 306      | 224324   | Shield-Cylinder                                 |          |          | (Used Before Code Date 92072700). |               |                   | 1058                              | 272262          | Owner's Manual                |
| 307      | 94515    | Screw-Hex. Head                                 |          |          |                                   |               |                   |                                   |                 |                               |
| 337      | 802592   | Plug-Spark (Resistor Type) (1-7/8" High, 48 mm) |          |          |                                   |               |                   |                                   |                 |                               |

- ★ Included in Gasket Set-See Ref. 358.
- Included in Carburetor Kit-Part No. 493762.
- ◆ Included in Carburetor Gasket Set-Part No. 490937.



| REF. NO. | PART NO. | DESCRIPTION                          | REF. NO. | PART NO. | DESCRIPTION                                | REF. NO. | PART NO. | DESCRIPTION                            |
|----------|----------|--------------------------------------|----------|----------|--|----------|----------|--|
| 16       |          | Crankshaft<br><b>See Last Pages.</b> |          | 493390   | Ring Set<br>(.030" O.S.)                   | 40       | 93312    | Retainer-Valve                         |
| 24       | 222698   | Key-Flywheel                         | 27       | 26026    | Lock-Piston Pin                            | 45       | 262204   | Tappet-Valve                           |
| 25       | 494058   | Piston Assy.<br>(Standard)           | 28       | 298909   | Pin-Piston<br>(Standard)                   | 227      | 492349   | Lever Assembly-Gov.                    |
|          |          | 494059 Piston Assy.<br>(.010" O.S.)  |          |          | 298908 Pin-Piston<br>(.005" O.S.)          | 230      | 67072    | Washer-Gov. Crank                      |
|          |          | 494060 Piston Assy.<br>(.020" O.S.)  | 29       | 490566   | Rod-Connecting<br>(Standard)               | 357      | 91540    | Key-Drive Pulley                       |
|          |          | 494061 Piston Assy.<br>(.030" O.S.)  |          |          | 490743 Rod-Connecting<br>(.020" Undersize) | 377      | 94329    | Key-Woodruff<br>(For 25 mm Crankshaft) |
| 26       | 493261   | Ring Set<br>(Standard)               | 32       | 94699    | Screw-Conn. Rod                            | 562      | 92613    | Bolt-Governor Lever                    |
|          |          | 493388 Ring Set<br>(.010" O.S.)      | 33       | 262651   | Valve-Exhaust                              | 592      | 231082   | Nut-Hex.                               |
|          |          | 493389 Ring Set<br>(.020" O.S.)      | 34       | 262652   | Valve-Intake                               | 615      | 94474    | Fastener                               |
|          |          |                                      | 35       | 262224   | Spring-Valve                               | 616      | 262578   | Crank-Governor                         |
|          |          |                                      |          |          |  | 741      | 262598   | Gear-Timing                            |

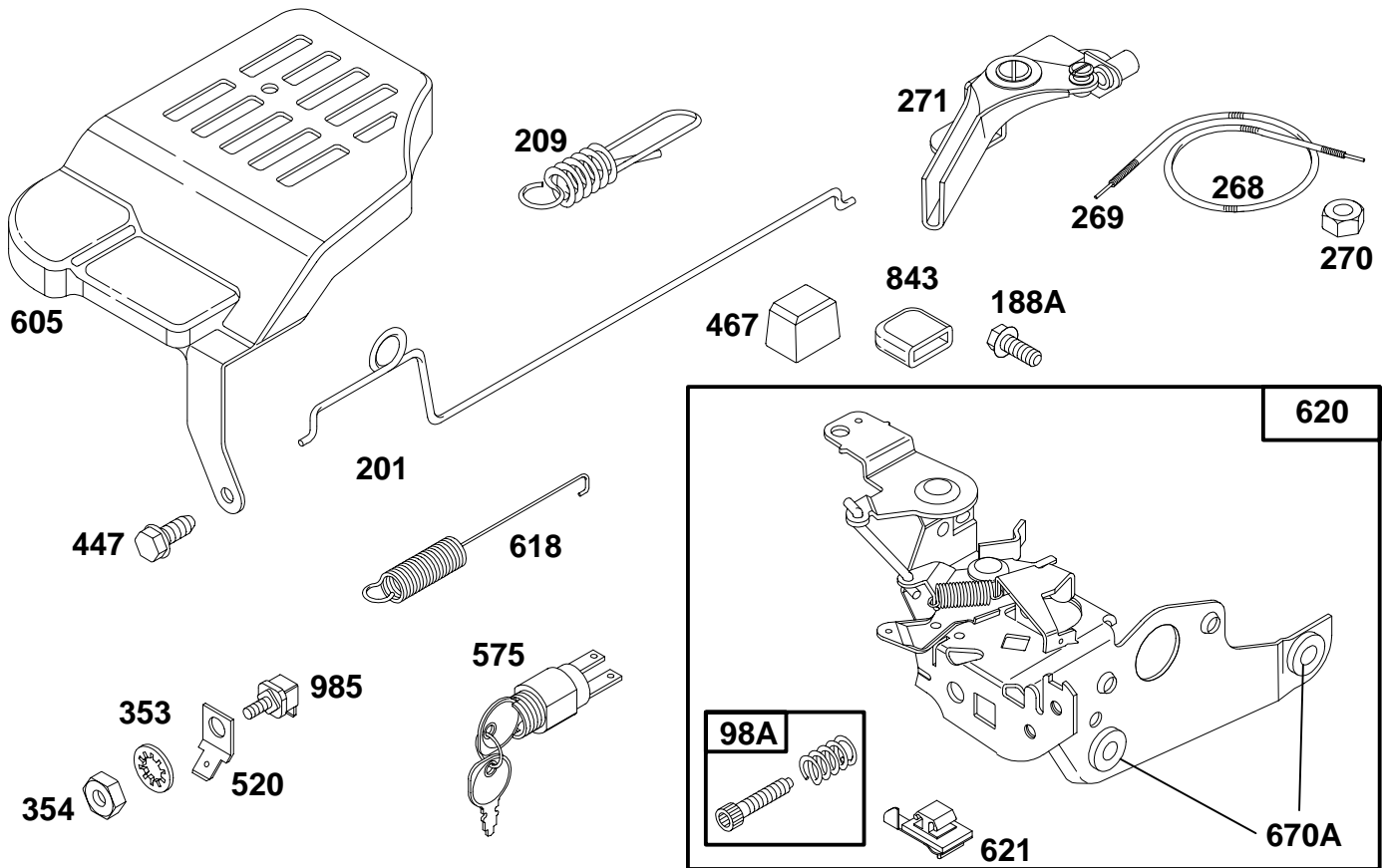
- ★ Included in Gasket Set-See Ref. 358.
- Included in Carburetor Kit-Part No. 493762.
- ◆ Included in Carburetor Gasket Set-Part No. 490937.

2433-3

Assemblies include all parts shown in frames.



126800 to 126899



| REF. NO. | PART NO. | DESCRIPTION   | REF. NO. | PART NO. | DESCRIPTION                            | REF. NO. | PART NO. | DESCRIPTION                                      |              |
|----------|----------|---|----------|----------|--|----------|----------|--|--------------|
| 98A      | 493280   | Screw—Speed Adj.  |          |          | Shorter Wire is Needed, Cut to Length. |          |          | (Used Before Code Date 93080200).                |              |
| 188A     | 94644    | Screw—Hex. Hd.  |          |          |  |          |          | <b>Note</b>                                      |              |
| 201      | 262579   | Link  |          |          |  |          |          | <b>495976</b> Bracket—Control                    |              |
| 209      |          | Spring—Governor   | 270      | 63426    | Locknut—Casing                         |          |          | (Manual Friction Control)                        |              |
|          |          | <b>See Last Pages.</b>  | 271      | 290568   | Lever—Control                          |          |          | (Used After Code Date 93080100).                 |              |
| 268      | 65616    | Casing—Wire (72" Long)  | 353      | 92791    | Washer—Lock                            |          |          | <b>493895</b> Bracket—Control                    |              |
|          |          | <b>66986</b> Casing—Wire (48" Long)   | 354      | 90576    | Nut—Hex.                               |          |          | (Used Before Code Date 93080200).                |              |
|          |          | If Longer Casing is Needed, Specify Length in Inches; if Shorter Casing is Needed, Cut to Length. | 447      | 93801    | Screw—Hex. Hd.                         |          |          | Used on Type No(s) 0407, 3215, 3411, 7415, 7416. |              |
| 269      | 26633    | Wire—Control (78" Long)   | 467      | 280857   | Knob                                   |          |          |  |              |
|          |          | <b>26099</b> Wire—Control (54" Long)  | 520      | 93722    | Terminal                               |          |          |  |              |
|          |          | If Longer Wire is Needed, Specify Length in Inches; if  | 575      | 396291   | Switch—Starting                        |          |          |  |              |
|          |          |   |          |          | <b>Include(s):</b>                     |          |          |  |              |
|          |          |   | 605      | 224509   | Bracket—Support                        |          |          |  |              |
|          |          |   | 618      | 262749   | Spring                                 |          |          |  |              |
|          |          |   | 620      | 495975   | Bracket—Control (Remote Control)       |          |          |  |              |
|          |          |   |          |          | (Used After Code Date 93080100).       |          |          |  |              |
|          |          |   |          |          | <b>493894</b> Bracket—Control          | 621      | 396847   | Switch—Stop                                      |              |
|          |          |   |          |          |  | 670A     | ★493823  | Spacer—Bracket (Includes 2)                      |              |
|          |          |   |          |          |  |          | 843      | 272616   | Sleeve—Lever |
|          |          |   |          |          |  |          | 985      | 398525   | Insulator    |

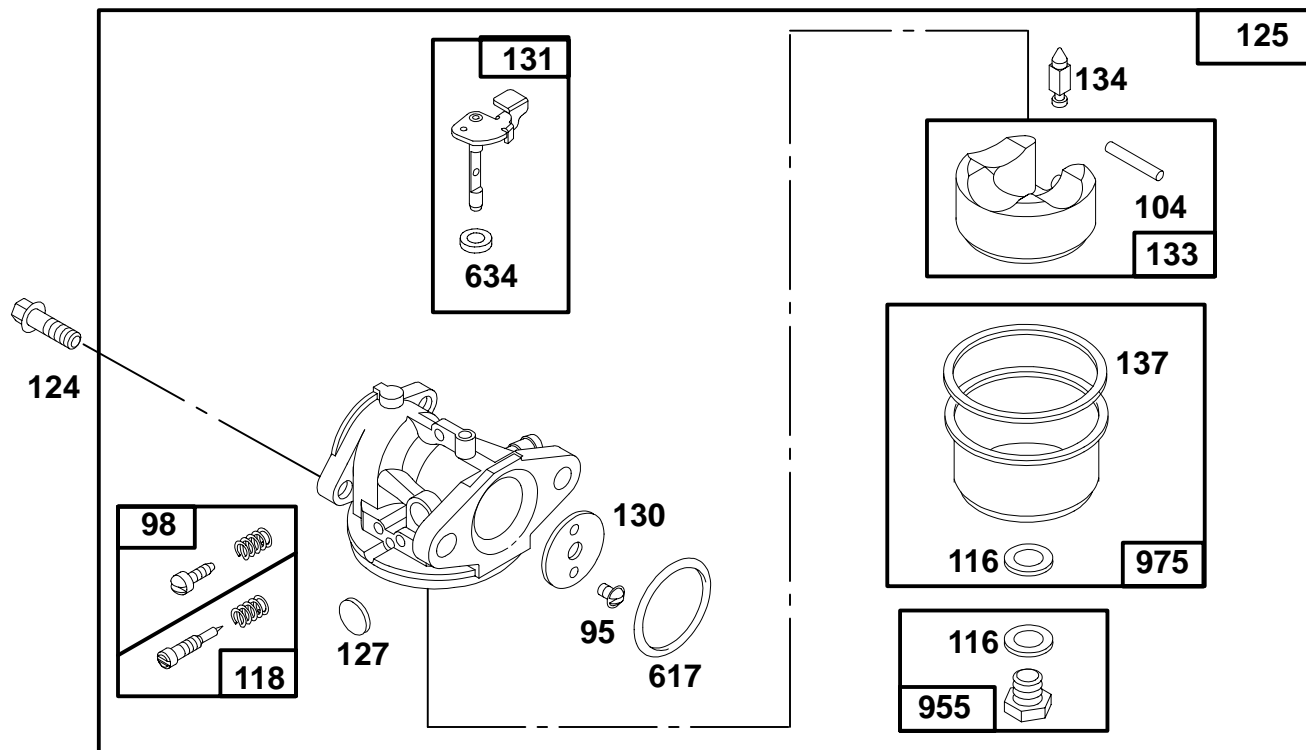
- ★ Included in Gasket Set—See Ref. 358.
- Included in Carburetor Kit—Part No. 493762.
- ◆ Included in Carburetor Gasket Set—Part No. 490937.

2433—5

Assemblies include all parts shown in frames.

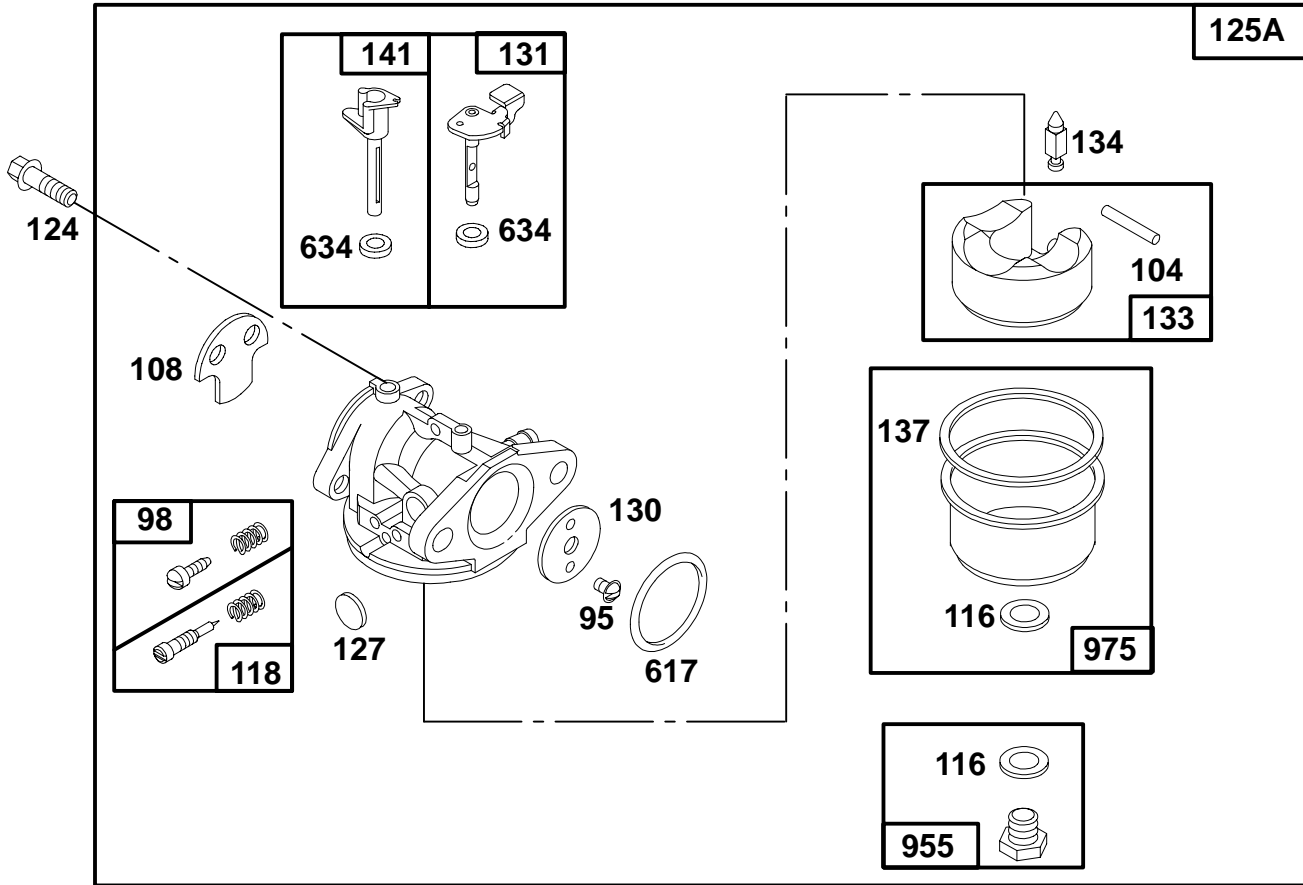
104

# 126800 to 126899



| REF. NO. | PART NO. | DESCRIPTION   | REF. NO. | PART NO. | DESCRIPTION                             | REF. NO. | PART NO. | DESCRIPTION                                    |
|----------|----------|---|----------|----------|---|----------|----------|--|
| 95       | 94098    | Screw-Round Head  | 127      | •        | Plug-Welch<br>(Sold in Kit Only)        |          |          | (Standard)<br>(Used After Code Date 93080100). |
| 98       | 398185   | Screw-Idle Adjustment   | 130      | 223470   | Valve-Throttle                          |          |          | <b>Note</b>                                    |
| 104      | •231371  | Pin-Float Hinge   | 131      | 493267   | Shaft-Throttle                          |          |          | 494870 Screw-Carb.                             |
| 116      | •♦       | Gasket-Sealing<br>(Sold in Kit Only)  | 133      | 398187   | Float-Carburetor                        |          |          | Bowl Mtg.                                      |
| 118      | •493765  | Valve-Needle  | 134      | •398188  | Valve-Needle<br>(Includes Seat)         |          |          | (For High Altitude)                            |
| 124      | 94525    | Screw-Carb. Mtg.  | 137      | •♦       | Gasket-Float Bowl<br>(Sold in Kit Only) |          |          | (Used After Code Date 93080100).               |
| 125      | 496114   | Carburetor<br>(For Primer)<br>(Used After Code Date 93080100).<br><b>SEE NEXT PAGE FOR CHOKE CARBURETOR</b> | 617      | •♦270344 | Seal-Intake Elbow                       | 975      | 493640   | Bowl-Float                                     |
|          |          |   | 634      | •♦       | Washer-Shaft<br>(Sold in Kit Only)      |          |          |  |
|          |          |   | 955      | 493637   | Screw-Fuel Bowl Kit                     |          |          |  |

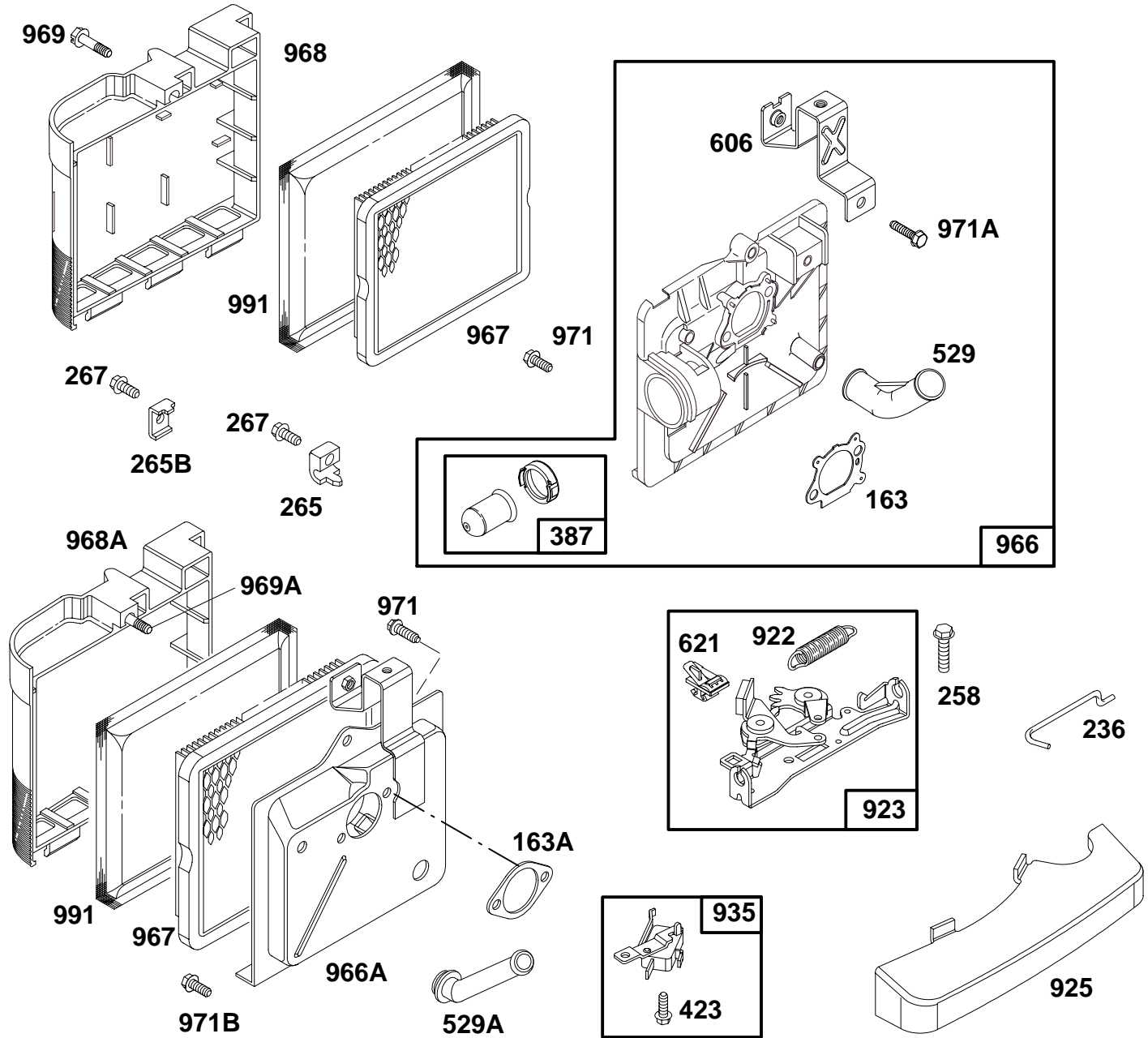
- ★ Included in Gasket Set-See Ref. 358.
- Included in Carburetor Kit-Part No. 493762.
- ♦ Included in Carburetor Gasket Set-Part No. 490937.



| REF. NO. | PART NO. | DESCRIPTION  | REF. NO. | PART NO. | DESCRIPTION  | REF. NO. | PART NO. | DESCRIPTION   |
|----------|----------|--|----------|----------|--|----------|----------|---|
| 95       | 94098    | Screw-Round Head   |          |          | 3415, 3416, 3417, 3426, 3428, 3429, 3433, 4401, 4402.            |          |          | (For High Altitude) (Used Before Code Date 93080200).   |
| 98       | 398185   | Screw-Idle Adjustment  |          |          |  |          |          | <b>Note</b>   |
| 104      | 231371   | Pin-Float Hinge  |          |          |  |          |          | <b>493869</b> Screw-Fuel Bowl Kit (Standard)  |
| 108      | 223471   | Valve-Choke  |          |          |  |          |          | <b>OR</b>   |
| 116      | ◆◆       | Gasket-Sealing (Sold in Kit Only).   |          |          |  |          |          | <b>493763</b> Screw-Fuel Bowl Kit (High Altitude)   |
| 118      | 493765   | Valve Kit-Needle   |          |          |  |          |          | Used on Type No(s). 0106, 0406, 0410, 0411, 0412, 0414, 0415, 0416, 0417, 0418, 0420, 0421, 0422, 0423, 0424, 0425, 0426, 0427, 0428, 3106, 3153, 3224, 3406, 3412, |
| 124      | 94525    | Screw-Carburetor Mounting  |          |          |  |          |          |   |
| 125A     | 493627   | Carburetor (For Primer) (Used Before Code Date 93080200).  |          |          |  |          |          |   |
|          |          | <b>Note</b>  |          |          |  |          |          |   |
|          |          | <b>494217</b> Carburetor Used on Type No(s). 0106, 0406, 0410, 0411, 0412, 0414, 0415, 0416, 0417, 0418, 0420, 0421, 0422, 0423, 0424, 0425, 0426, 0427, 0428, 3106, 3153, 3224, 3406, 3412, | 127      | ●        | Plug-Welch (Sold in Kit Only)                                    |          |          |   |
|          |          |  | 130      | 223470   | Valve-Throttle   |          |          |   |
|          |          |  | 131      | 493267   | Shaft-Throttle   |          |          |   |
|          |          |  | 133      | 398187   | Float-Carburetor   |          |          |   |
|          |          |  | 134      | 398188   | Valve-Needle (Includes Seat)                                     |          |          |   |
|          |          |  | 137      | ◆◆       | Gasket-Float Bowl (Sold in Kit Only)                             |          |          |   |
|          |          |  | 141      | 494218   | Shaft-Choke  |          |          |   |
|          |          |  | 617      | ◆◆270344 | Seal-Intake Elbow  |          |          |   |
|          |          |  | 634      | ◆◆       | Washer-Shaft (Sold in Kit Only)                                  |          |          |   |
|          |          |  | 955A     | 493637   | Screw-Fuel Bowl Kit (Standard) (Used Before Code Date 93080200). |          |          |   |
|          |          |  |          |          | <b>OR</b>  |          |          |   |
|          |          |  |          |          | <b>494870</b> Screw-Carb. Bowl Mtg.                              |          |          |   |
|          |          |  |          |          |  | 975      | 493640   | Bowl-Float  |

★ Included in Gasket Set-See Ref. 358.  
 ● Included in Carburetor Kit-Part No. 493762.  
 ◆ Included in Carburetor Gasket Set-Part No. 490937.

# 126800 to 126899



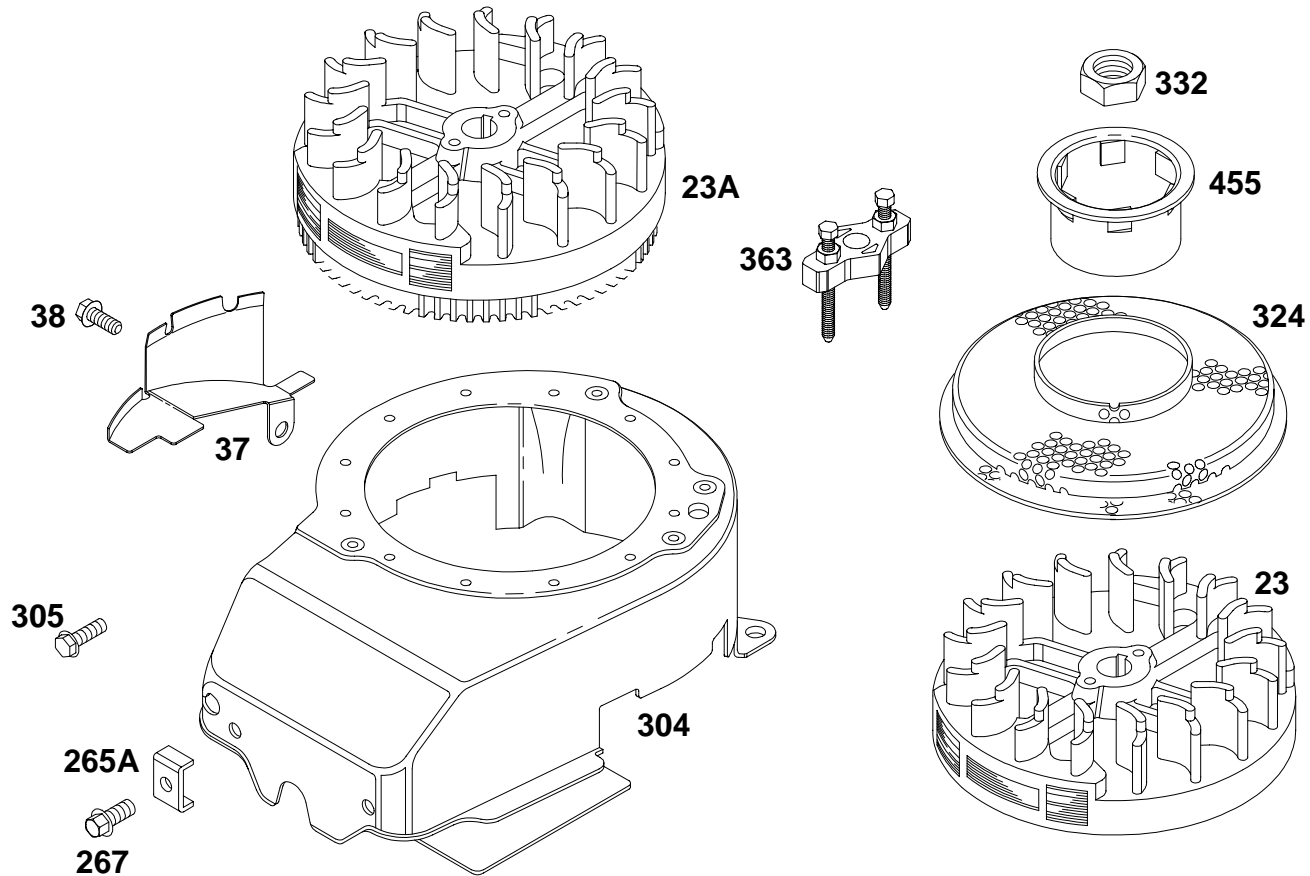
| REF. NO. | PART NO. | DESCRIPTION        | REF. NO. | PART NO. | DESCRIPTION                      | REF. NO. | PART NO. | DESCRIPTION       |
|----------|----------|--------------------|----------|----------|----------------------------------|----------|----------|-------------------|
| 163      | ★272653  | Gasket–Air Cleaner | 621      | 396847   | Switch–Stop                      | 967      | 491588   | Filter–Air        |
| 163A     | ★272296  | Gasket–Air Cleaner | 922      | 262640   | Spring–Brake                     | 968      | 281340   | Cover–Air Cleaner |
| 236      | 262461   | Link–Lock Out      | 923      | 493442   | Brake                            | 968A     | 281069   | Cover–Air Cleaner |
| 258      | 94512    | Screw–Hex. Head    | 925      | 281145   | Cover–Linkage                    | 969      | 94120    | Screw–Hex. Head   |
| 265      | 213146   | Clamp–Casing       | 935      | 398758   | Switch–Interlock                 | 969A     | 94173    | Screw–Air Cleaner |
| 265B     | 221535   | Clamp–Casing       | 966      | 496116   | Base–Air Cleaner                 | 971      | 94121    | Screw–Air Cleaner |
| 267      | 94204    | Screw–Hex. Hd.     |          |          | (Primer Style)                   | 971A     | 94749    | Screw–Air Cleaner |
| 387      | 496115   | Primer–Carburetor  |          |          | (Used After Code Date 93080100). | 971B     | 94269    | Screw–Air Cleaner |
| 423      | 93758    | Screw–Hex. Head    | 966A     | 494735   | Base–Air Cleaner                 | 991      | 493537   | Filter–Air        |
| 529      | 281299   | Grommet            |          |          | (Metal)                          |          |          | (Pre–Filter)      |
| 529A     | 280943   | Grommet            |          |          | (Used Before Code                |          |          |                   |
| 606      | 224815   | Strap–Bracket      |          |          |                                  |          |          |                   |

- ★ Included in Gasket Set–See Ref. 358.
- Included in Carburetor Kit–Part No. 493762.
- ◆ Included in Carburetor Gasket Set–Part No. 490937.

2433–8

Assemblies include all parts shown in frames.

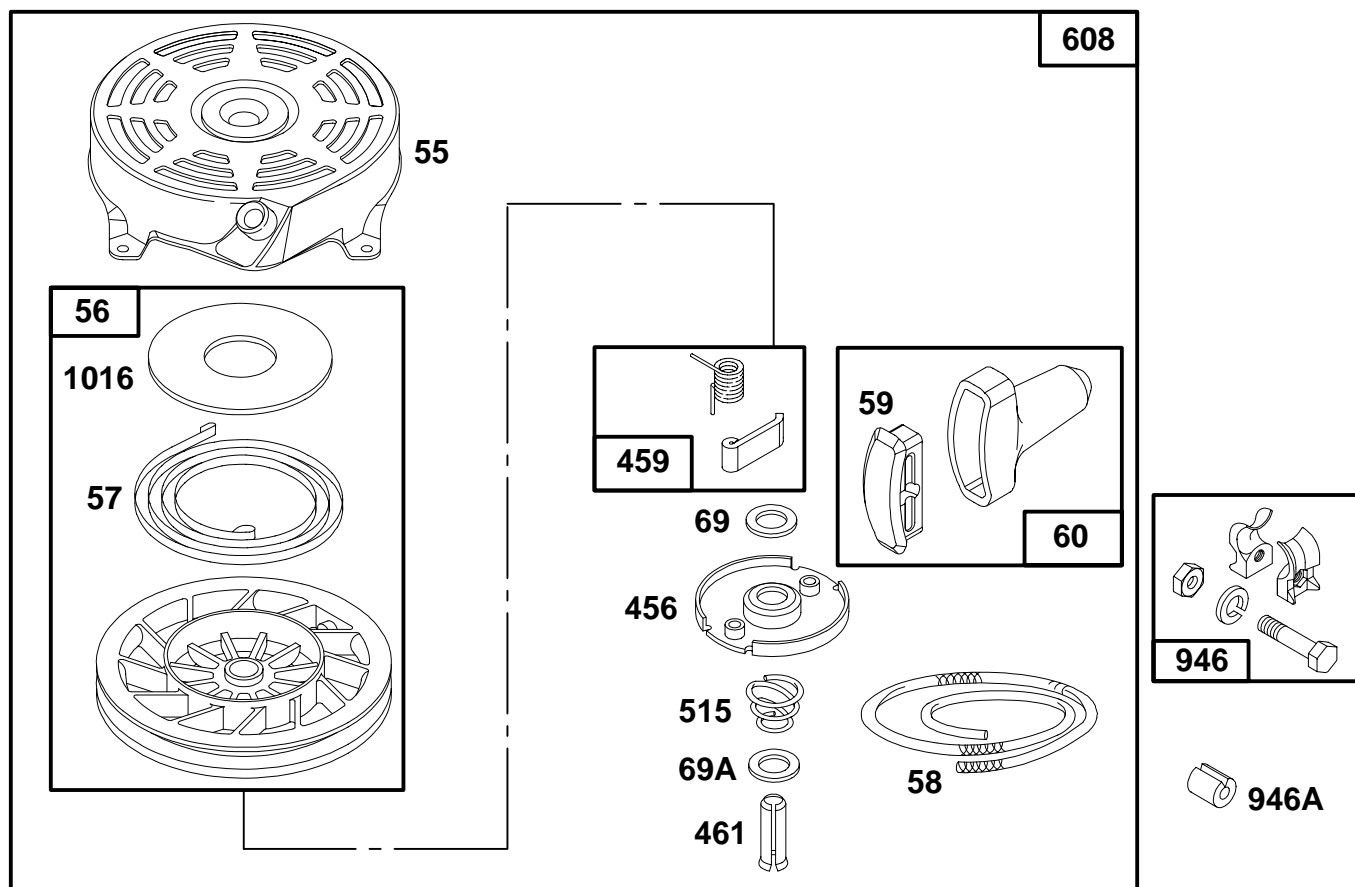




| REF. NO. | PART NO. | DESCRIPTION         | REF. NO. | PART NO. | DESCRIPTION                         | REF. NO. | PART NO. | DESCRIPTION            |
|----------|----------|---------------------|----------|----------|-------------------------------------|----------|----------|------------------------|
| 23       | 492177   | Flywheel            | 267      | 94204    | Screw-Clamp Mtg.                    | 324      | 224251   | Screen-Rotating        |
| 23A      | 492175   | Flywheel            | 304      | 493294   | Housing-Blower                      |          |          | <b>Note</b>            |
|          |          | <b>Note</b>         |          |          | Used on Engines without Band Brake. |          |          | 224527 Screen-Rotating |
|          |          | 492893 Flywheel     |          |          | <b>Note</b>                         |          |          | Used on Type No(s).    |
|          |          | Used on Type No(s). |          |          | 493293 Housing                      |          |          | 0421, 0425.            |
|          |          | 0407, 0416, 0420,   |          |          | Blower                              | 332      | 92284    | Nut-Flywheel           |
|          |          | 4401, 4402.         |          |          | Used on Engines with                | 363      | 19069    | Flywheel Puller        |
| 37       | 224511   | Guard-Flywheel      |          |          | Band Brake.                         | 455      | 224250   | Cup-Flywheel           |
| 38       | 94608    | Screw-Hex. Hd.      | 305      | 94513    | Screw-Sem                           |          |          |                        |
| 265A     | 22372    | Clamp-Casing        |          |          |                                     |          |          |                        |

- ★ Included in Gasket Set-See Ref. 358.
- Included in Carburetor Kit-Part No. 493762.
- ◆ Included in Carburetor Gasket Set-Part No. 490937.

# 126800 to 126899



| REF. NO. | PART NO. | DESCRIPTION                      | REF. NO. | PART NO. | DESCRIPTION       | REF. NO. | PART NO. | DESCRIPTION         |
|----------|----------|----------------------------------|----------|----------|-------------------|----------|----------|---------------------|
| 55       | 492831   | Housing—Rewind Starter           | 60       | 393152   | Grip—Starter Rope | 608      | 493295   | Starter—Rewind      |
| 56       | 493824   | Pulley—Starter                   | 69       | 280973   | Washer—Spring     |          |          | <b>Include(s):</b>  |
| 57       | 262594   | Spring—Rewind Starter            | 69A      | 224322   | Washer—Flat       |          |          | 94128 Screw—Hex. Hd |
| 58       | 280399   | Rope—Starter<br>(Cut To 88-5/8") | 456      | 224321   | Retainer—Spring   |          |          | 92987 Nut—Hex.      |
| 59       | 396892   | Insert—Starter Grip              | 459      | 492833   | Pawl—Ratchet      | 946      | 396526   | Guide—Rope          |
|          |          |                                  | 461      | 262626   | Pin—Shaft         | 946A     | 223294   | Stop—Rope           |
|          |          |                                  | 515      | 262625   | Spring—Retainer   | 1016     | 224278   | Cover—Pulley        |

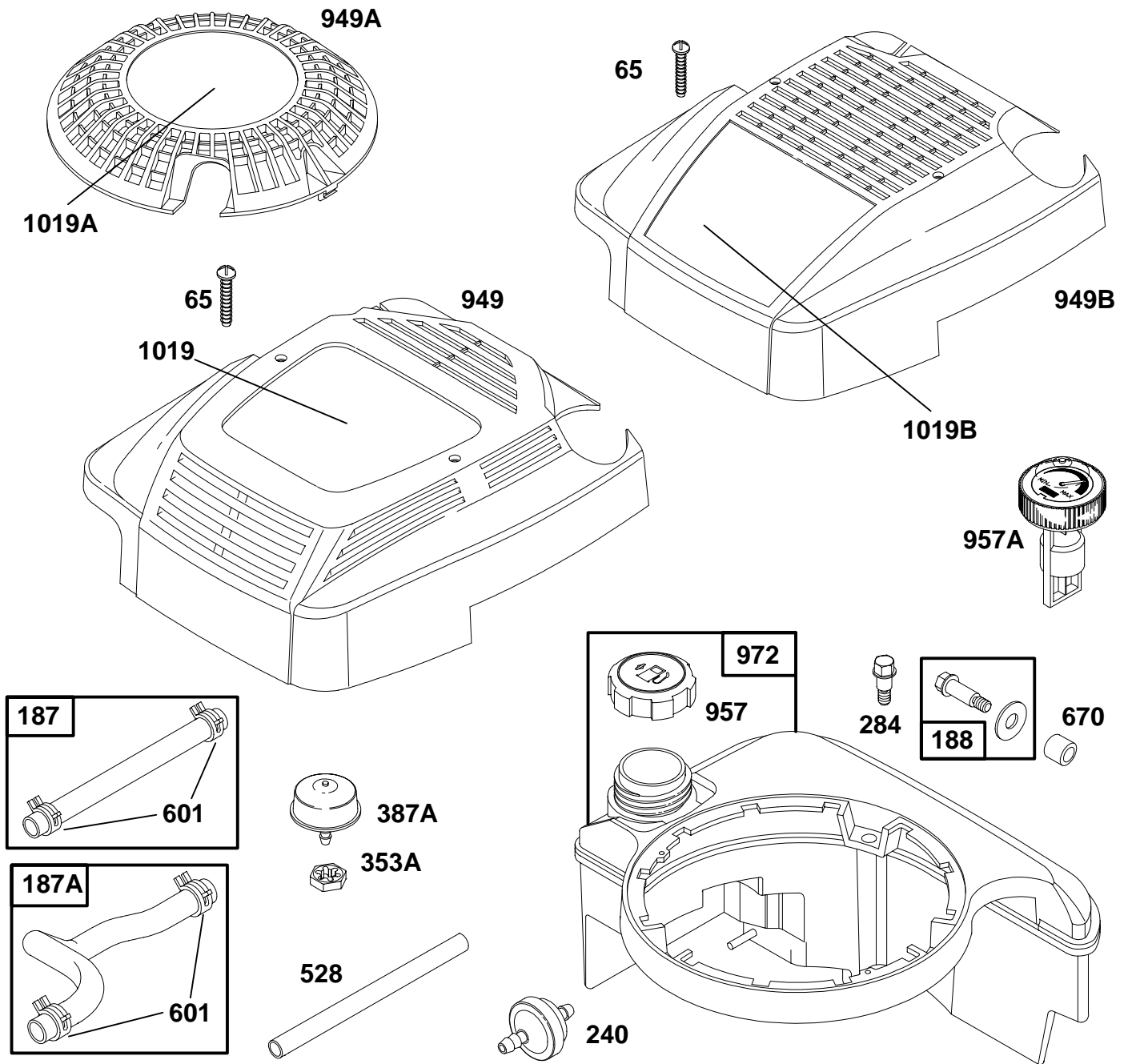
- ★ Included in Gasket Set—See Ref. 358.
- Included in Carburetor Kit—Part No. 493762.
- ◆ Included in Carburetor Gasket Set—Part No. 490937.

2433-10

Assemblies include all parts shown in frames.

104

126800 to 126899



| REF. NO. | PART NO. | DESCRIPTION                       | REF. NO. | PART NO. | DESCRIPTION           | REF. NO.              | PART NO. | DESCRIPTION                         |               |
|----------|----------|-----------------------------------|----------|----------|-----------------------|-----------------------|----------|-------------------------------------|---------------|
| 65       | 94696    | Screw-Guard Mtg.                  | 528      | 399254   | Line-Fuel             | 949B                  |          | Guard-Finger                        |               |
| 187      | 492790   | Line-Fuel<br>(Cut to Suit)        | 601      | 93807    | Clamp-Hose<br>(Black) |                       |          | Use Reference 949,<br>Guard-Finger. |               |
| 187A     | 492791   | Line-Fuel                         |          |          | <b>Note</b>           | 957                   | 397974   | Cap-Fuel Tank                       |               |
| 188      | 398540   | Screw-Hex. Hd.<br>(Tank Mounting) |          |          | 93053                 | Clamp-Hose<br>(Green) | 957A     | 494277                              | Cap-Fuel Tank |
| 240      | 298090   | Filter-Fuel                       | 670      | 280512   | Spacer<br>(Fuel Tank) | 972                   | 495224   | Tank-Fuel<br>(1.6 Quart, Black)     |               |
| 284      | 94511    | Screw-Hex. Head                   | 949      | 497233   | Guard-Finger          | 1019                  | 496658   | Label Kit                           |               |
| 353A     | 94581    | Nut-Lock                          | 949A     | 281136   | Guard-Finger          | 1019A                 | 494256   | Label Kit                           |               |
| 387A     | 394281   | Primer-Carb.                      |          |          |                       | 1019B                 | 495354   | Label Kit                           |               |

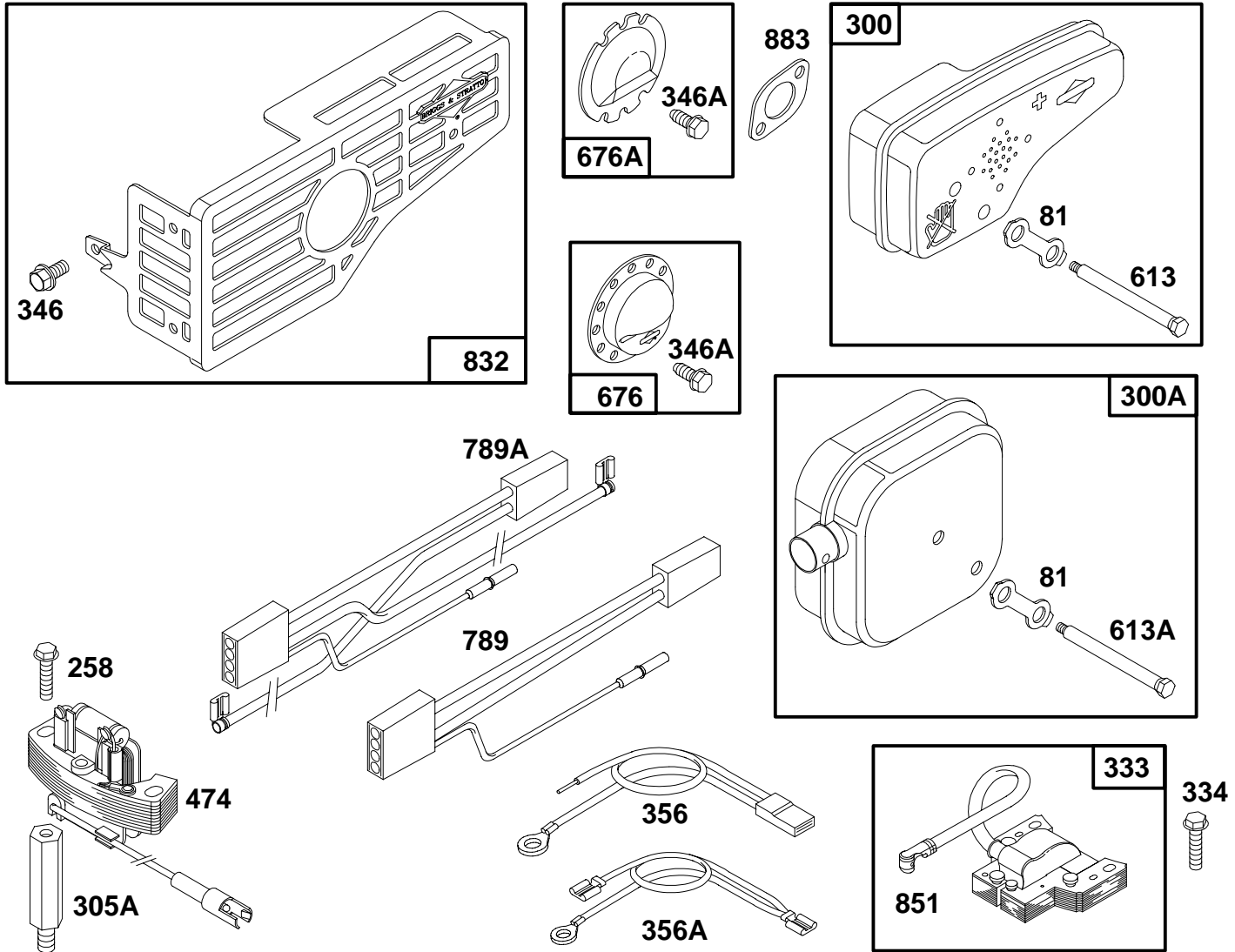
- ★ Included in Gasket Set-See Ref. 358.
- Included in Carburetor Kit-Part No. 493762.
- ◆ Included in Carburetor Gasket Set-Part No. 490937.

2433-11

Assemblies include all parts shown in frames.

104

# 126800 to 126899



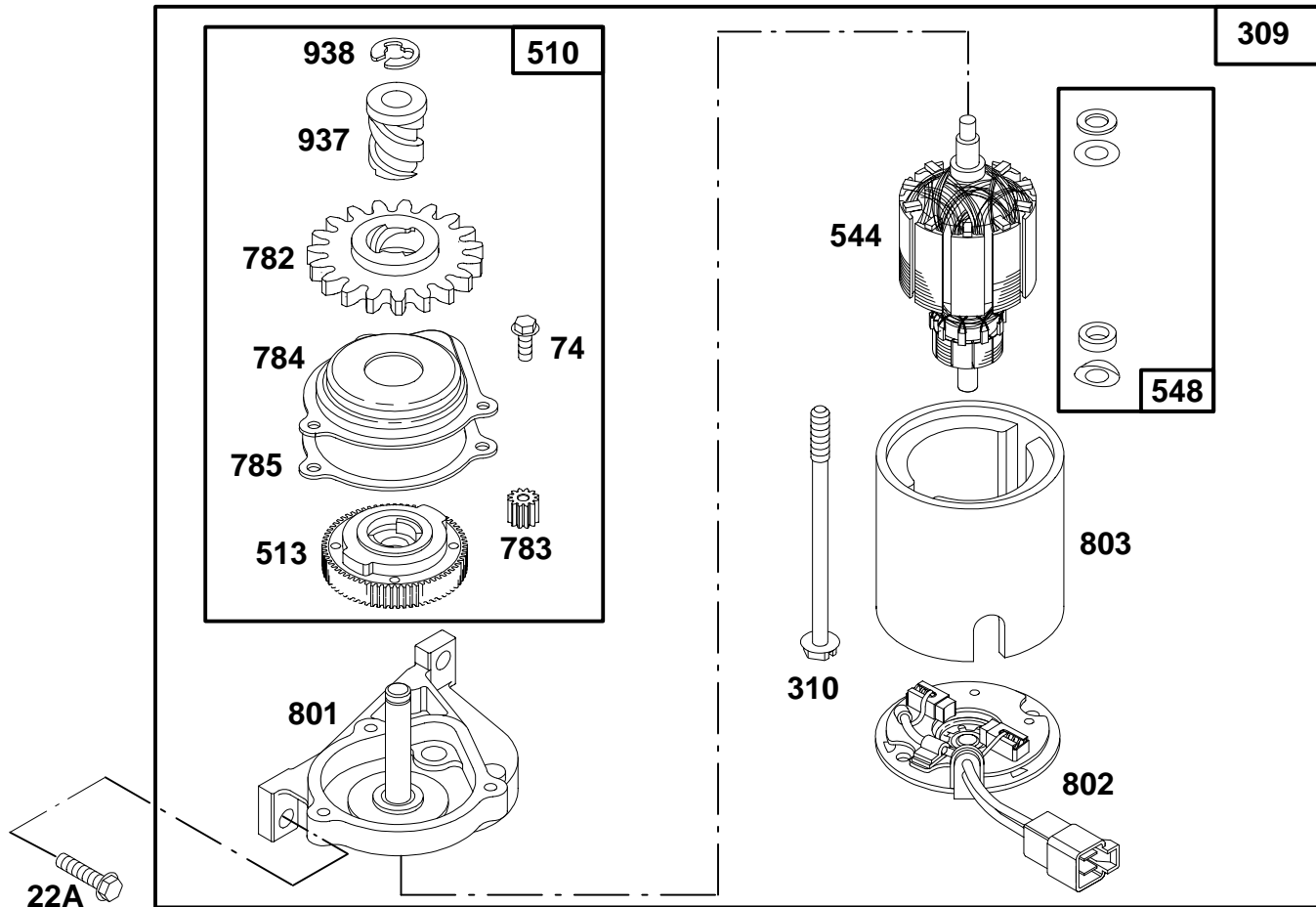
| REF. NO. | PART NO. | DESCRIPTION                      | REF. NO. | PART NO. | DESCRIPTION                         | REF. NO. | PART NO. | DESCRIPTION                      |
|----------|----------|----------------------------------|----------|----------|-------------------------------------|----------|----------|----------------------------------|
| 81       | 223664   | Lock-Muffler Screw               | 356A     | 398708   | Wire-Stop                           |          |          | Used on Engines with Band Brake. |
| 258      | 94512    | Screw-Hex. Head                  | 474      | 492841   | Alternator                          |          |          | <b>Note</b>                      |
| 300      | 490547   | Muffler-Exhaust                  | 613      | 94231    | Screw-Muffler Mtg.                  |          |          | 494544 Harness-Wiring            |
| 300A     | 494343   | Muffler-Exhaust (Square Lo-Tone) | 613A     | 94615    | Screw-Hex. Head                     |          |          | Used on Type No(s). 3434.        |
| 305A     | 94510    | Stud-Alternator Mtg.             | 676      | 396548   | Deflector-Muffler                   | 832      | 494224   | Guard-Muffler                    |
| 333      | 802574   | Armature-Magneto                 | 676A     | 393756   | Deflector-Muffler                   | 851      | 221798   | Terminal-Cable                   |
| 334      | 93381    | Screw-Armature Mtg.              | 789      | 493379   | Harness-Wiring                      | 883      | ★272253  | Gasket-Muffler                   |
| 346      | 94602    | Screw-Hex. Hd.                   |          |          | Used on Engines without Band Brake. |          |          |                                  |
| 346A     | 93705    | Screw-Hex. Hd.                   | 789A     | 493380   | Harness-Wiring                      |          |          |                                  |
| 356      | 398808   | Wire-Stop                        |          |          |                                     |          |          |                                  |

- ★ Included in Gasket Set-See Ref. 358.
- Included in Carburetor Kit-Part No. 493762.
- ◆ Included in Carburetor Gasket Set-Part No. 490937.

2433-12

Assemblies include all parts shown in frames.

104



| REF. NO. | PART NO. | DESCRIPTION    | REF. NO. | PART NO. | DESCRIPTION      | REF. NO. | PART NO. | DESCRIPTION     |
|----------|----------|----------------|----------|----------|------------------|----------|----------|-----------------|
| 22A      | 94268    | Screw-Hex. Hd. | 544      | 492921   | Armature-Starter | 801      | 492335   | Cap-Drive       |
| 74       | 93490    | Screw-Sem      | 548      | 492919   | Washer Set       | 802      | 492922   | Cap-End         |
| 309      | 494233   | Motor-Starter  | 782      | 281127   | Gear-Starter     | 803      | 492920   | Housing-Starter |
| 310      | 94051    | Bolt-Thru      | 783      | 261606   | Gear-Starter     | 937      | 281125   | Spline-Starter  |
| 510      | 494147   | Drive Kit      | 784      | 224262   | Cover-Gear       | 938      | 93941    | Retainer-Lock   |
| 513      | 394815   | Clutch-Drive   | 785      | 272201   | Gasket-Cover     |          |          |                 |

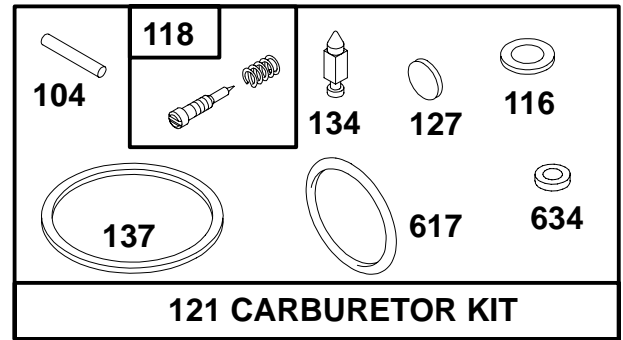
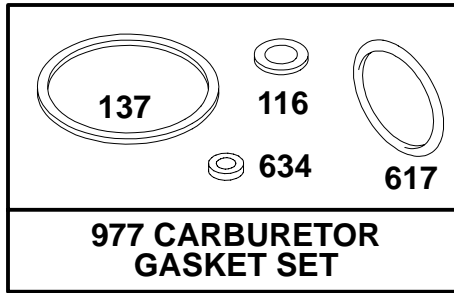
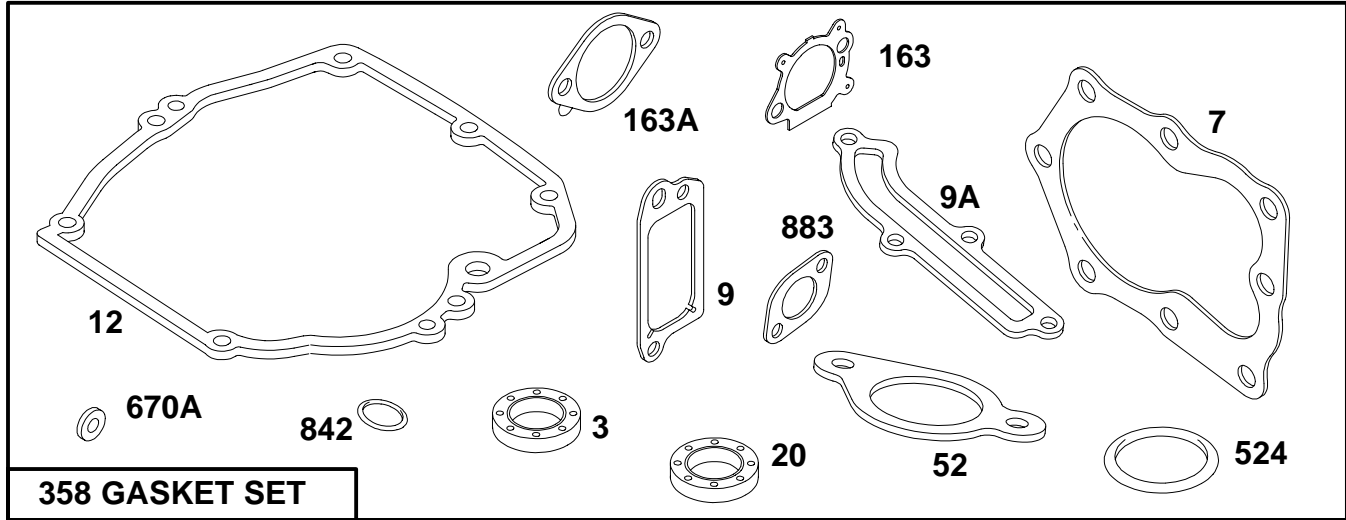
- ★ Included in Gasket Set-See Ref. 358.
- Included in Carburetor Kit-Part No. 493762.
- ◆ Included in Carburetor Gasket Set-Part No. 490937.

2433-13

Assemblies include all parts shown in frames.

104

# 126800 to 126899



| REF. NO. | PART NO. | DESCRIPTION                          | REF. NO. | PART NO. | DESCRIPTION  | REF. NO. | PART NO. | DESCRIPTION                        |
|----------|----------|--------------------------------------|----------|----------|--|----------|----------|------------------------------------|
| 3        | ★299819  | Seal-Oil                             |          |          |  | 524      | ★280393  | Seal-Intake Elbow                  |
| 7        | ★272200  | Gasket-Cylinder Hd.                  | 134      | ●398188  | Valve-Needle<br>(Sold in Kit Only)                     | 617      | ●●270344 | Seal-Intake Elbow                  |
| 9        | ★272481  | Gasket-Breather                      |          |          | (Includes Seat)  | 634      | ●◆       | Washer-Shaft<br>(Sold in Kit Only) |
| 9A       | ★272238  | Gasket-Breather                      | 137      | ●◆       | Gasket-Float Bowl<br>(Sold in Kit Only)                | 670A     | ★493823  | Spacer-Bracket                     |
| 12       | ★272198  | Gasket-Crankcase                     | 163      | ★272653  | Gasket-Air Cleaner                                     | 842      | ★280966  | Seal-O-Ring                        |
| 20       | ★399781  | Seal-Oil                             | 163A     | ★272296  | Gasket-Air Cleaner                                     | 883      | ★272253  | Gasket-Muffler                     |
| 52       | ★272199  | Gasket-Intake Elbow                  | 358      | 496117   | Gasket Set<br>(Used After Code Date 93080100).         | 977      | 490937   | Gasket Set-Carb.                   |
| 104      | ●231371  | Pin-Float Hinge                      |          |          |  |          |          |                                    |
| 116      | ●◆       | Gasket-Sealing<br>(Sold in Kit Only) |          |          | <b>Note</b>  |          |          |                                    |
| 118      | ●493765  | Valve-Needle                         |          |          | 493263 Gasket Set<br>(Used Before Code Date 93080200). |          |          |                                    |
| 121      | 493762   | Carburetor Kit                       |          |          |  |          |          |                                    |
| 127      | ●        | Plug-Welch                           |          |          |  |          |          |                                    |

★ Included in Gasket Set-See Ref. 358.  
 ● Included in Carburetor Kit-Part No. 493762.  
 ◆ Included in Carburetor Gasket Set-Part No. 490937.

