

122800 to 122899

Illustrated Parts List

Model Series

122800 to 122899

TYPE NUMBERS
0220, 0235,
0430 through 0435,
3201 through 3214,
3401 through 3422.

TO FIND
THE CORRECT NUMBER OF THE PART YOU NEED:
FOLLOW THE INSTRUCTIONS BELOW

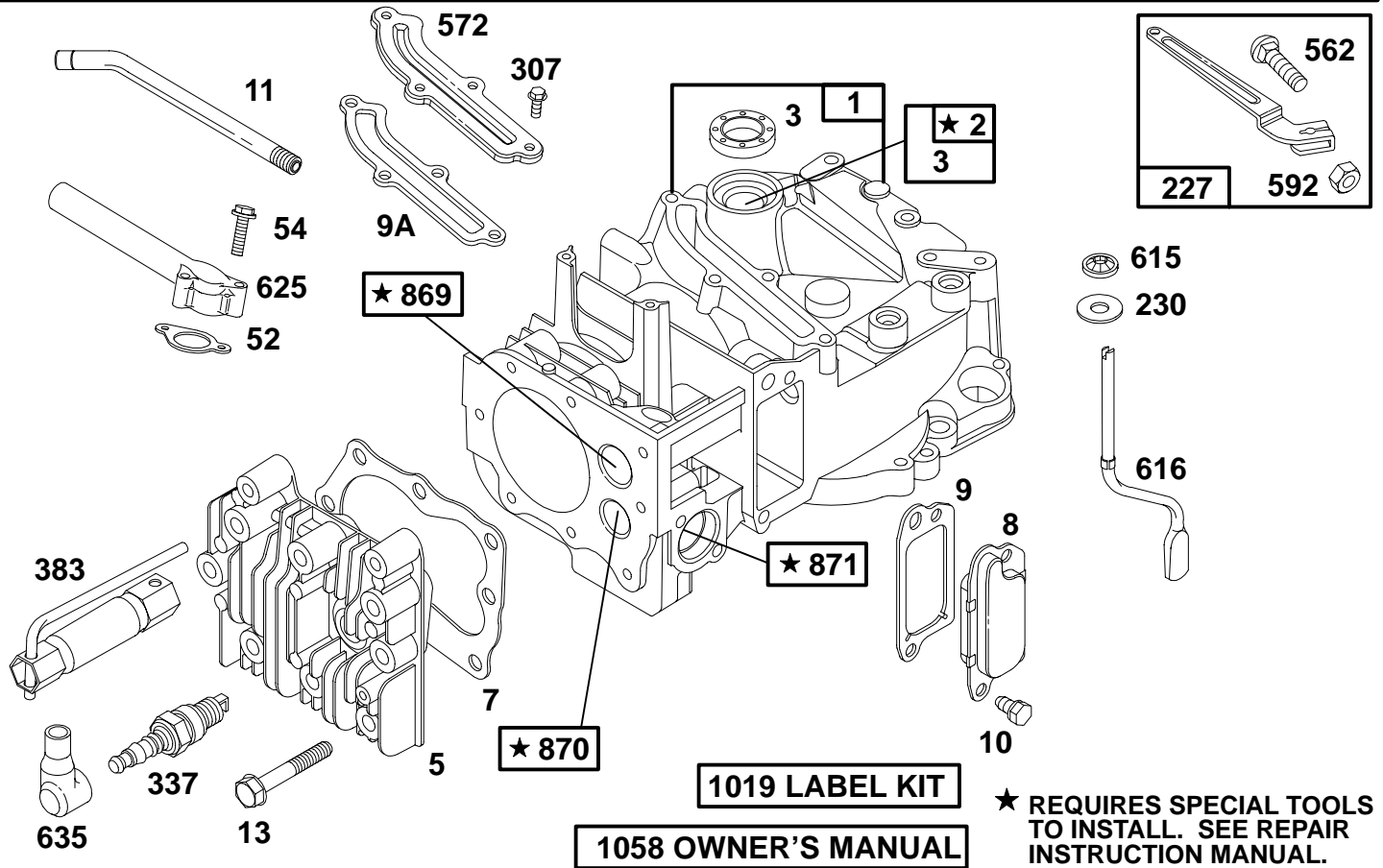
- A. Refer to Engine Model, Type and Code Number that is stamped on the blower housing of engine. Engine type numbers such as 0123 01 are listed only as 0123 in most instances. The two digits (01 or 02, etc.) to the right of the space may be required for more accurate parts identification in some instances. Select the Illustrated Parts List covering the correct Model Series and Type Number.
- B. Refer to the Illustrations and compare the original part with Illustration. The number next to the illustration is the Reference Number. Assemblies include all parts shown in frames. All parts shown in assembly frames having individual reference numbers can be purchased separately.
- C. After the Reference Number has been identified, refer to the Numerical text, where Reference and Primary Part Number are listed. **THE PRIMARY PART IS USED ON ALL TYPE NUMBERS EXCEPT THOSE TYPE NUMBERS UNDER "NOTE."**
- D. If a "Note" appears below the Primary Part Number, it means that this part differs from the Primary Part for certain types. If your Type number is listed under "Note," order the part referred to at the "Note."
- E. If your Engine Type Number does not appear after any part number listed under "Note," use the Primary Part Number.
- F. For Engine Type Numbers not covered by this book, check other Parts Lists having the same engine model or contact your source of supply.

PRINTED IN U.S.A.

COPYRIGHT©

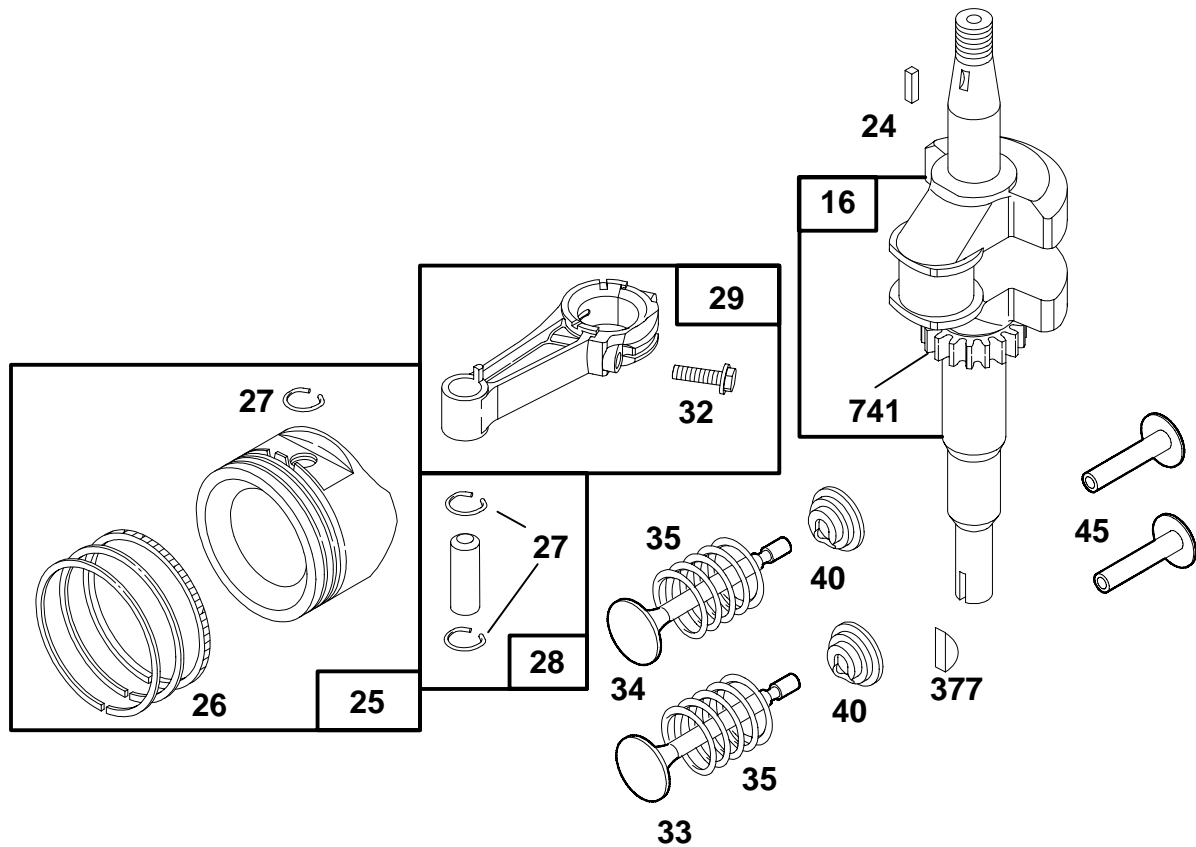


122800 to 122899



| REF. NO. | PART NO. | DESCRIPTION | REF. NO. | PART NO. | DESCRIPTION | REF. NO. | PART NO. | DESCRIPTION |
|----------|----------|----------------------|---|----------|---------------------------------|---------------------------------|----------|----------------------|
| 1 | 493260 | Cylinder Assembly | 227 | 492349 | Lever Assembly-Gov. | 635 | 66538 | Boot-Spark Plug |
| 2 | 293708 | Bushing | 307 | 94515 | Screw-Hex. Head | 869 | 213512 | Seat-Valve (Intake) |
| 3 | ★299819 | Seal-Oil | 337 | 492167 | Plug-Spark (1-7/8" High, 48 mm) | 870 | 213513 | Seat-Valve (Exhaust) |
| 5 | 213861 | Head-Cylinder | Note | | | 871 | 262001 | Guide-Exhaust Valve |
| 7 | ★272200 | Gasket-Cylinder Head | 802592 Plug-Spark (Resistor Type) (1-7/8" High, 48 mm) | | | Note | | |
| 8 | 494489 | Breather Assembly | | | | 63709 Guide-Intake Valve | | |
| 9 | ★272481 | Gasket-Breather | 383 | 89838 | Wrench-Spark Plug | | | |
| 9A | ★272238 | Gasket-Breather | 562 | 92613 | Bolt-Governor Lever | 1058 | 272262 | Owner's Manual |
| 10 | 94650 | Screw-Hex. Head | 572 | 224328 | Baffle-Cylinder | | | |
| 11 | 231685 | Tube-Breather | 592 | 231082 | Nut-Hex. | | | |
| 13 | 94547 | Screw-Cylinder Hd. | 615 | 94474 | Fastener | | | |
| 52 | ★272199 | Gasket-Intake Elbow | 616 | 262578 | Crank-Governor | | | |
| 54 | 94526 | Screw-Hex. Head | 625 | 492717 | Manifold-Intake | | | |
| 230 | 67072 | Washer-Thrust | | | | | | |

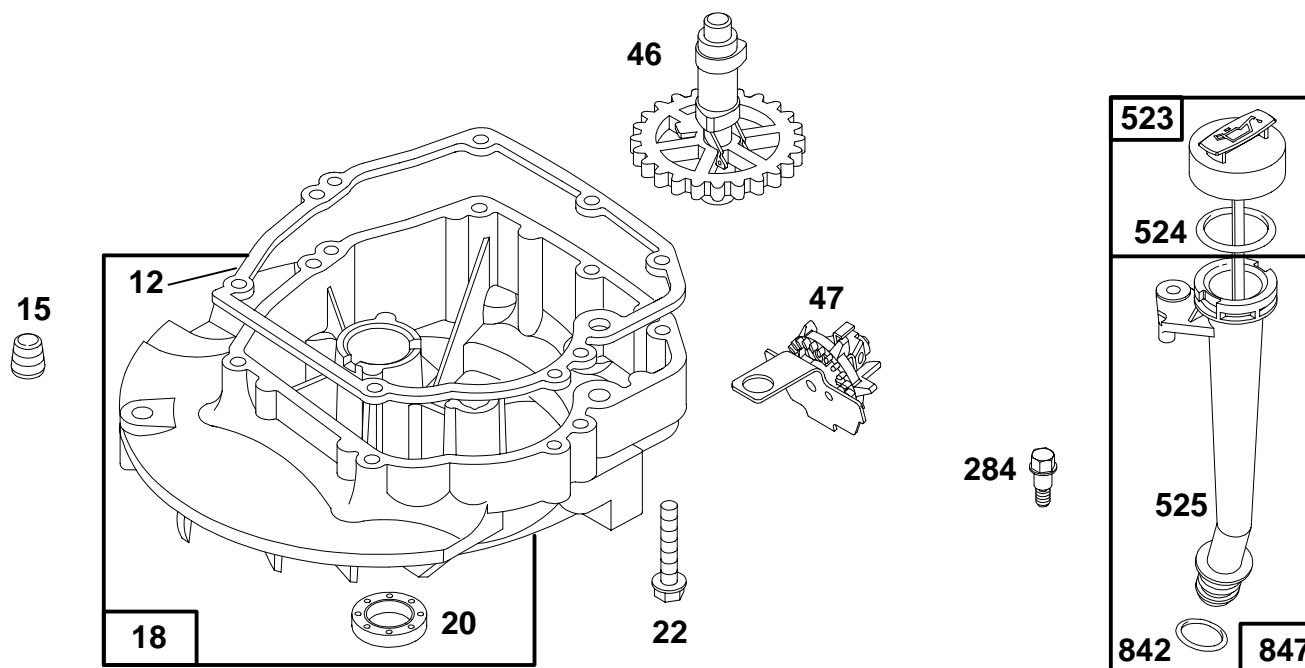
★ Included in Gasket Set-See Ref. 358.
 ● Included in Carburetor Kit-Part No. 493762.
 ◆ Included in Carburetor Gasket Set-Part No. 490937.



| REF. NO. | PART NO. | DESCRIPTION | REF. NO. | PART NO. | DESCRIPTION | REF. NO. | PART NO. | DESCRIPTION |
|----------|----------|---|----------|----------|-------------------------------------|----------|----------|--|
| 16 | 493282 | Crankshaft Note For Timing Gear Key— Order Part No. 94388. 493362 Crankshaft Used on Type No(s). 0220, 0431, 0435, 3211, 3409, 3413, 3414. 493363 Crankshaft Used on Type No(s). 0235, 3213, 3411. 493947 Crankshaft Used on Type No(s). 3412. 496078 Crankshaft Used on Type No(s). 3416. | | | | | | |
| | | | 24 | 222698 | Key—Flywheel | | | |
| | | | 25 | 493262 | Piston Assy. (Standard) | 27 | 26026 | Lock—Piston Pin |
| | | | | | 493385 Piston Assy. (.010" O.S.) | 28 | 298909 | Pin—Piston (Standard) |
| | | | | | 493386 Piston Assy. (.020" O.S.) | | | 298908 Pin—Piston (.005" O.S.) |
| | | | | | 493387 Piston Assy. (.030" O.S.) | 29 | 490566 | Rod—Connecting |
| | | | 26 | 493261 | Ring Set (Standard) | | | 490743 Rod— Connecting (.020" Undersize) |
| | | | | | 493388 Ring Set (.010" O.S.) | 32 | 94699 | Screw—Connecting Rod |
| | | | | | 493389 Ring Set (.020" O.S.) | 33 | 262651 | Valve—Exhaust |
| | | | | | 493390 Ring Set (.030" O.S.) | 34 | 262652 | Valve—Intake |
| | | | | | | 35 | 262224 | Spring—Valve |
| | | | | | | 40 | 93312 | Retainer—Valve |
| | | | | | | 45 | 262204 | Tappet—Valve |
| | | | | | | 377 | 94329 | Key—Woodruff (For 25 mm. Crankshaft) |
| | | | | | | 741 | 262598 | Gear—Timing |

★ Included in Gasket Set—See Ref. 358.
● Included in Carburetor Kit—Part No. 493762.
◆ Included in Carburetor Gasket Set—Part No. 490937.

122800 to 122899

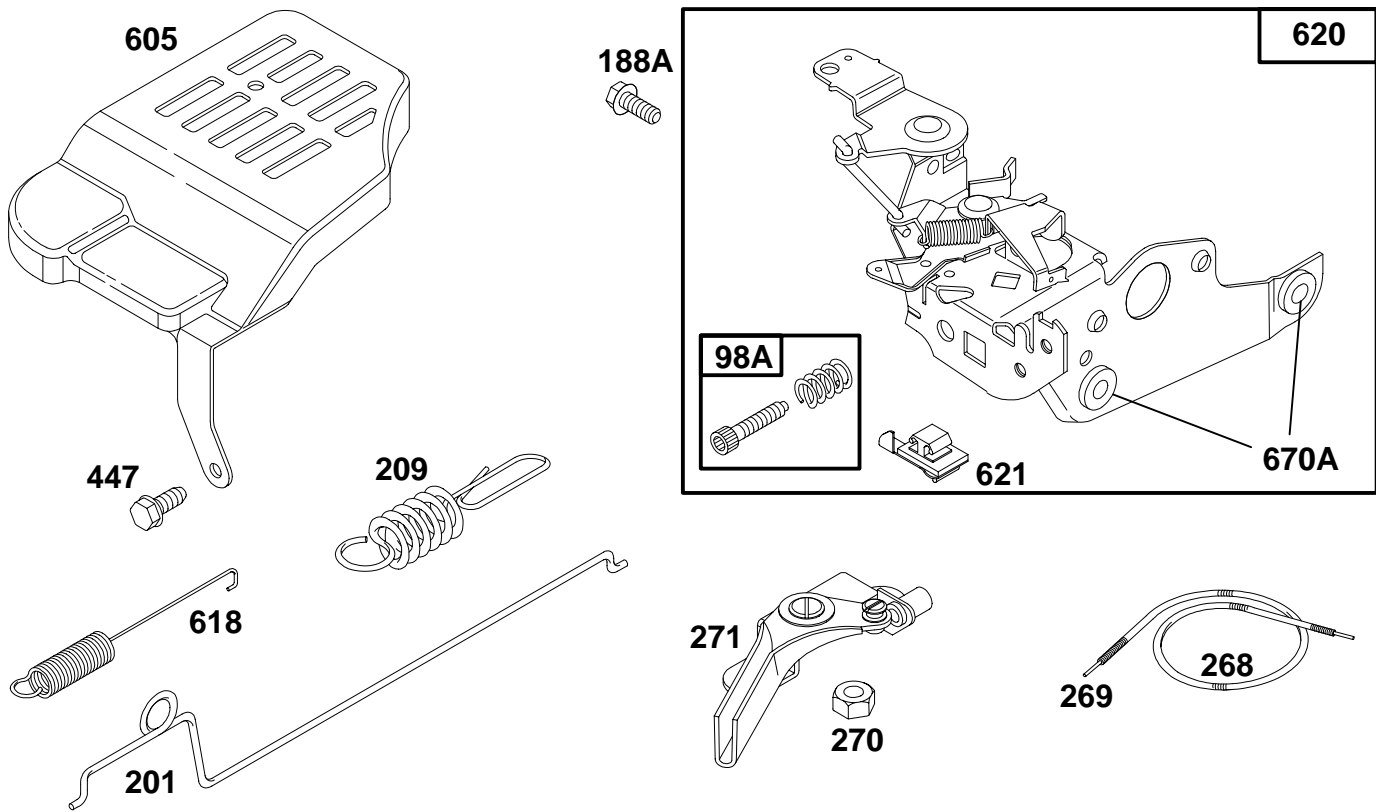


| REF. NO. | PART NO. | DESCRIPTION | REF. NO. | PART NO. | DESCRIPTION | REF. NO. | PART NO. | DESCRIPTION |
|----------|----------|------------------------------------|----------|----------|--|----------|----------|--|
| 12 | ★272198 | Gasket-Crankcase | 523 | 495264 | Cap-Oil Fill (Used After Code Date 92072600). | | | Note |
| 15 | 94613 | Plug-Oil Drain | | | | | | 493952 Tube-Oil Fill (Used Before Code Date 92072700). |
| 18 | 493279 | Sump-Engine | | | Note | | | |
| 20 | ★399781 | Seal-Oil | | | 493950 Cap-Oil Fill (Used Before Code Date 92072700). | 842 | ★280966 | Seal-Cap |
| 22 | 94220 | Screw-Hex. Head | | | | 847 | 495263 | Tube Assy.-Oil (Used After Code Date 92072600). |
| | | Note | | | | | | Note |
| | | 94612 Screw-Hex. Head | 524 | ★280393 | Seal-Fill Tube | | | 493459 Tube Assy.-Oil (Used Before Code Date 92072700). |
| | | One Used in Hole Nearest Breather. | 525 | 495265 | Tube-Oil Fill (Used After Code Date 92072600). | | | |
| 46 | 492828 | Gear-Cam | | | | | | |
| 47 | 493737 | Slinger-Oil | | | | | | |
| 284 | 94511 | Screw-Hex. Hd. | | | | | | |

- ★ Included in Gasket Set-See Ref. 358.
- Included in Carburetor Kit-Part No. 493762.
- ◆ Included in Carburetor Gasket Set-Part No. 490937.

2569-4

Assemblies include all parts shown in frames.



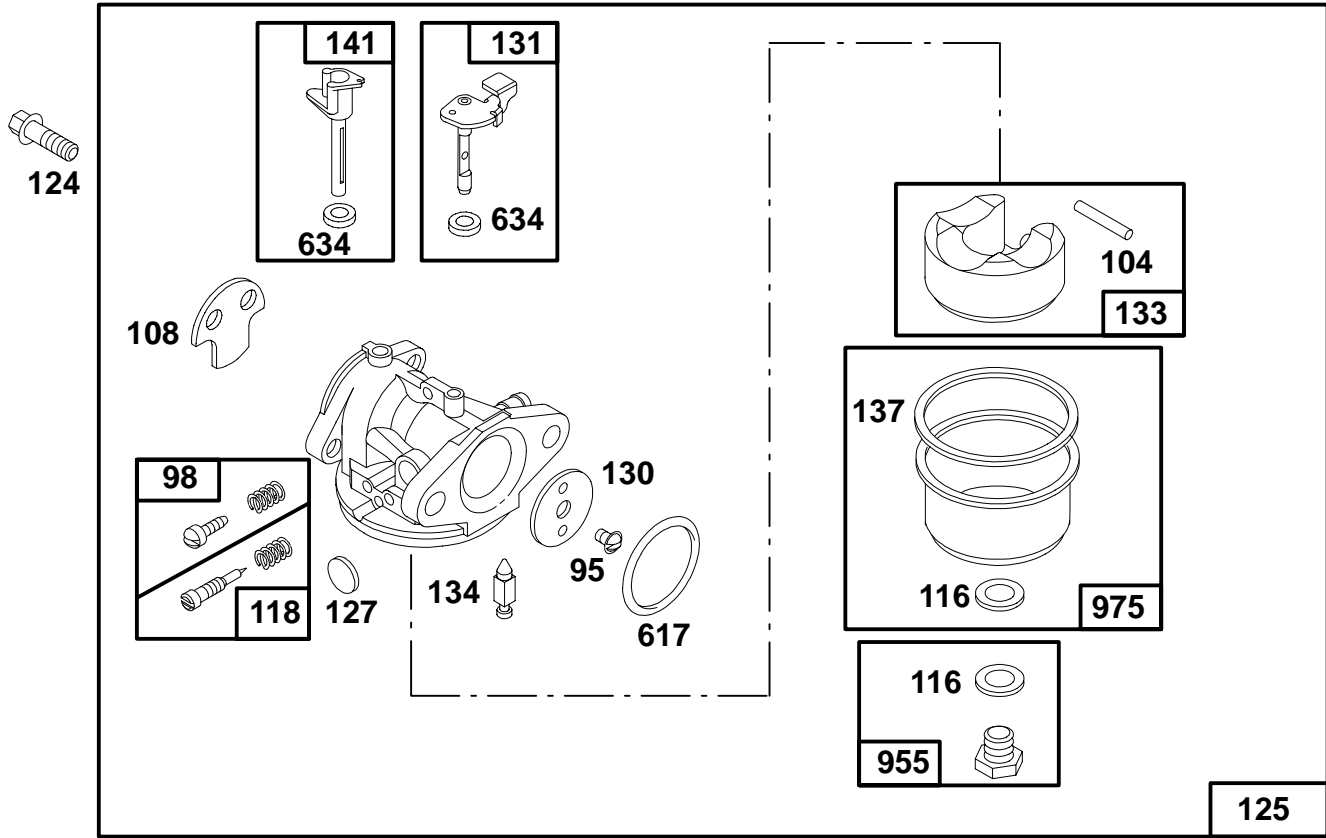
| REF. NO. | PART NO. | DESCRIPTION | REF. NO. | PART NO. | DESCRIPTION | REF. NO. | PART NO. | DESCRIPTION | | |
|----------|----------|---|----------|----------|--|----------|----------|--|---------|--|
| 98A | 493280 | Screw—Speed Adj. | | | 262666 Spring—Gov. Used on Type No(s). 0431. | | | If Longer Wire is Needed, Specify Length in Inches; if Shorter Wire is Needed, Cut to Required Length. | | |
| 188A | 94644 | Screw—Hex. Head | | | 262667 Spring—Gov. Used on Type No(s). 3422. | | 270 | | 63426 | Locknut—Casing |
| 201 | 262579 | Link | | | | | 271 | | 290568 | Lever—Control |
| 209 | 262659 | Spring—Governor | | | | | 447 | | 93801 | Screw—Hex. Hd. |
| | | Note | | | | | | 605 | 224509 | Bracket—Support |
| | | 262657 Spring—Gov. Used on Type No(s). 3212. | 268 | 65616 | Casing—Wire (72" Long) | | | 618 | 262749 | Spring |
| | | 262660 Spring—Gov. Used on Type No(s). 0235, 3409, 3411, 3416. | | | 66986 Casing—Wire (48" Long) If Longer Casing is Needed, Specify Length in Inches; if Shorter Casing is Needed, Cut to Required Length. | | | 620 | 495975 | Bracket—Control (Used After Code Date 93080100). |
| | | 262661 Spring—Gov. Used on Type No(s). 3201, 3208,, 3412. | | | | | | | | Note |
| | | 262662 Spring—Gov. Used on Type No(s). 3214, 3413, 3414. | 269 | 26633 | Wire—Control (78" Long) | | | | | 493894 Bracket— Control (Used Before Code Date 93080200). |
| | | 262664 Spring—Gov. Used on Type No(s). 0220, 0430, 0433, 0435. | | | 26099 Wire—Control (54" Long) | | | 621 | 396847 | Switch—Stop |
| | | | | | | | | 670A | ★493823 | Spacer (Includes 2) |

- ★ Included in Gasket Set—See Ref. 358.
- Included in Carburetor Kit—Part No. 493762.
- ◆ Included in Carburetor Gasket Set—Part No. 490937.

2569-5

Assemblies include all parts shown in frames.

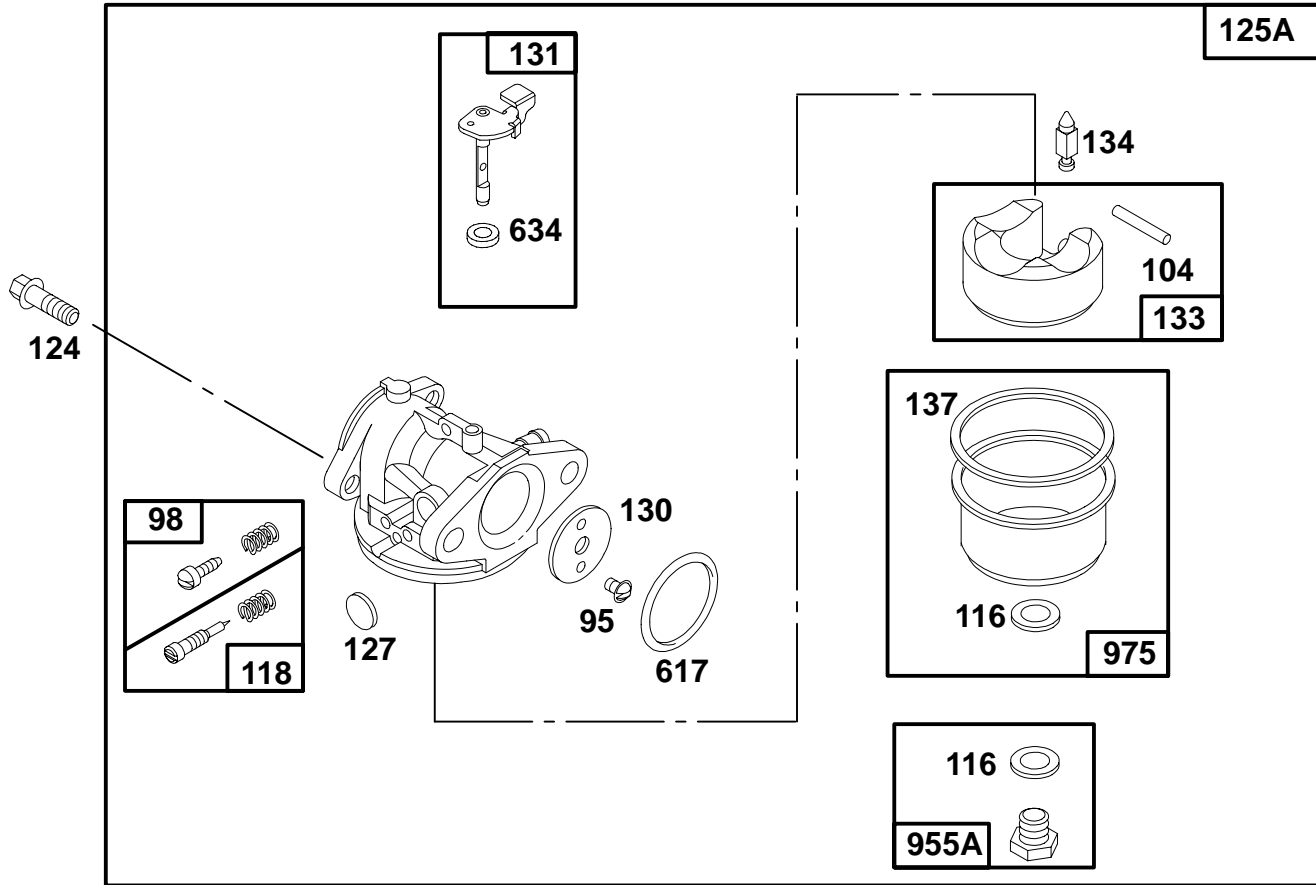
122800 to 122899



| REF. NO. | PART NO. | DESCRIPTION | REF. NO. | PART NO. | DESCRIPTION | REF. NO. | PART NO. | DESCRIPTION | |
|----------|----------|--|----------|----------|---|----------|----------|---|------------|
| 95 | 94098 | Screw-Round Head | 127 | ● | Plug-Welch (Sold in Kit Only) | 955 | 493763 | Screw-Bowl Mtg. OR | |
| 98 | 398185 | Screw-Idle Adjustment | 130 | 223470 | Valve-Throttle | | 494870 | Screw-Bowl Mtg. (High Altitude) | |
| 104 | ●231371 | Pin-Float Hinge | 131 | 493267 | Shaft-Throttle | | | Note | |
| 108 | 223471 | Valve-Choke | 133 | 398187 | Float-Carburetor | | 496063 | Screw-Bowl Mtg. | |
| 116 | ◆ | Gasket-Sealing (Sold in Kit Only) | 134 | ●398188 | Valve-Needle (Includes Seat) | | | OR | |
| 118 | ●493765 | Valve Kit-Needle | 137 | ◆ | Gasket-Float Bowl (Sold in Kit Only) | | 494870 | Screw-Bowl Mtg. (High Altitude) | |
| 124 | 94525 | Screw-Carburetor Mtg. | 141 | 494218 | Shaft-Choke | | | (Used Before Code Date 93080200). Used on Type No(s). 3208, 3211, 3213, 3408, 3409, 3411, 3412, 3413. | |
| 125 | 494216 | Carburetor | 617 | ◆270344 | Seal-Fuel Intake Tube | | 975 | 493640 | Bowl-Float |
| | | Note | 634 | ◆ | Washer-Shaft (Sold in Kit Only) | | | | |
| | | 493627 Carburetor (For Primer) (Used Before Code Date 93080200). Used on Type No(s). 3208, 3211, 3213, 3408, 3409, 3411, 3412, 3413. | | | | | | | |

★ Included in Gasket Set-See Ref. 358.
● Included in Carburetor Kit-Part No. 493762.
◆ Included in Carburetor Gasket Set-Part No. 490937.

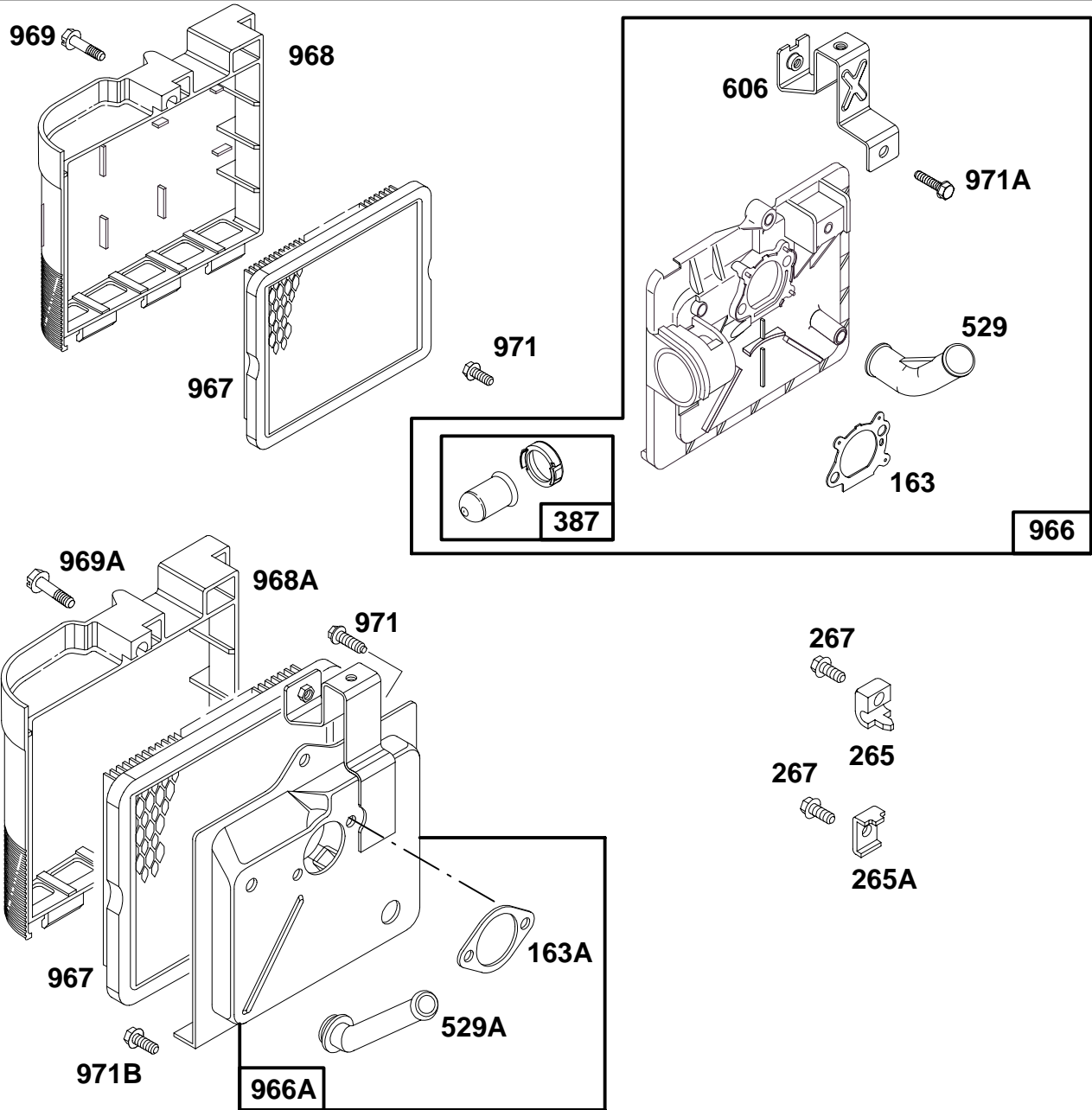
122800 to 122899



| REF. NO. | PART NO. | DESCRIPTION | REF. NO. | PART NO. | DESCRIPTION | REF. NO. | PART NO. | DESCRIPTION |
|----------|----------|--|----------|----------|---|-------------|----------|--|
| 95 | 94098 | Screw-Round Head | 127 | ● | Plug-Welch (Sold in Kit Only) | 617 | ●●270344 | Seal-Fuel Intake Tube |
| 98 | 398185 | Screw-Idle Adjustment | 130 | 223470 | Valve-Throttle | 634 | ●● | Washer-Shaft (Sold in Kit Only) |
| 104 | ●231371 | Pin-Float Hinge | 131 | 493267 | Shaft-Throttle | 955A | 493637 | Screw-Fuel Bowl (Standard) |
| 116 | ●◆ | Gasket-Sealing (Sold in Kit Only) | 133 | 398187 | Float-Carburetor | Note | | |
| 118 | ●493765 | Valve Kit-Needle | 134 | ●398188 | Valve-Needle (Includes Seat) | 496063 | | Screw-Fuel Bowl (For High Altitude) |
| 124 | 94525 | Screw-Carb. Mtg. | 137 | ●◆ | Gasket-Float Bowl (Sold in Kit Only) | 975 | 493640 | Bowl-Float |
| 125 | 496114 | Carburetor (For Primer) (Used After Code Date 93080100). | | | | | | |

★ Included in Gasket Set-See Ref. 358.
 ● Included in Carburetor Kit-Part No. 493762.
 ◆ Included in Carburetor Gasket Set-Part No. 490937.

122800 to 122899



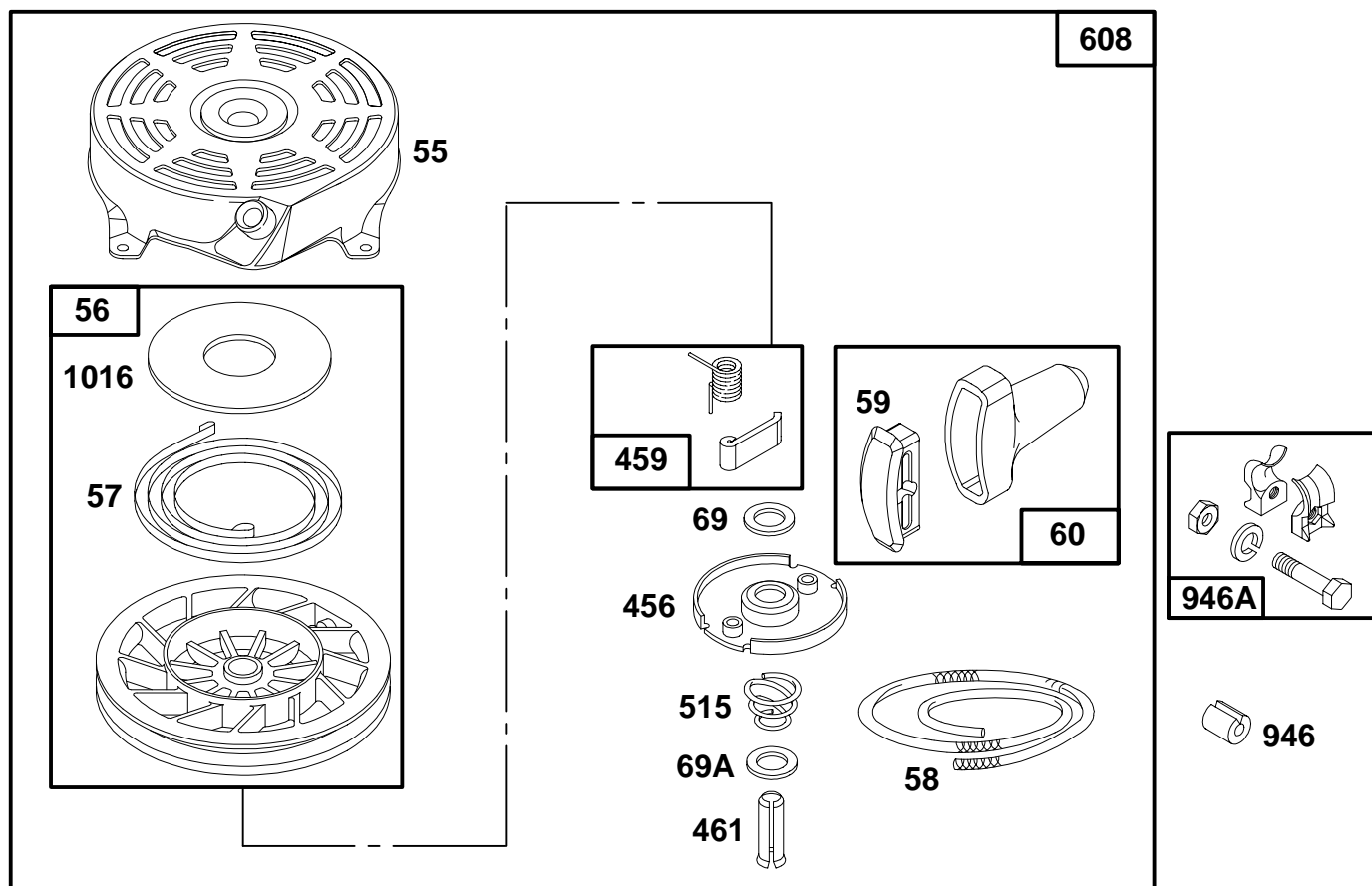
| REF. NO. | PART NO. | DESCRIPTION | REF. NO. | PART NO. | DESCRIPTION | REF. NO. | PART NO. | DESCRIPTION |
|----------|----------|--------------------|----------|----------|----------------------------------|----------|----------|-------------------|
| 163 | ★272653 | Gasket–Air Cleaner | 966 | 496116 | Base–Air Cleaner (Primer Style) | 967 | 491588 | Filter–Air |
| 163A | ★272296 | Gasket–Air Cleaner | | | (Used After Code Date 93080100). | 968 | 281340 | Cover–Air Cleaner |
| 265 | 213146 | Clamp–Casing | 966A | 494670 | Base–Air Cleaner (Metal) | 968A | 281069 | Cover–Air Cleaner |
| 265A | 221535 | Clamp–Casing | | | (Used Before Code Date 93080200) | 969 | 94120 | Screw–Air Cleaner |
| 267 | 94694 | Screw–Clamp Mtg. | | | | 969A | 94173 | Screw–Air Cleaner |
| 387 | 496115 | Primer–Carburetor | | | | 971 | 94121 | Screw–Air Cleaner |
| 529 | 281299 | Grommet | | | | 971A | 94749 | Screw–Hex. Head |
| 529A | 280943 | Grommet | | | | 971B | 94269 | Screw–Hex. Head |
| 606 | 224815 | Strap–Bracket | | | | | | |

- ★ Included in Gasket Set–See Ref. 358.
- Included in Carburetor Kit–Part No. 493762.
- ◆ Included in Carburetor Gasket Set–Part No. 490937.

2569–8

Assemblies include all parts shown in frames.

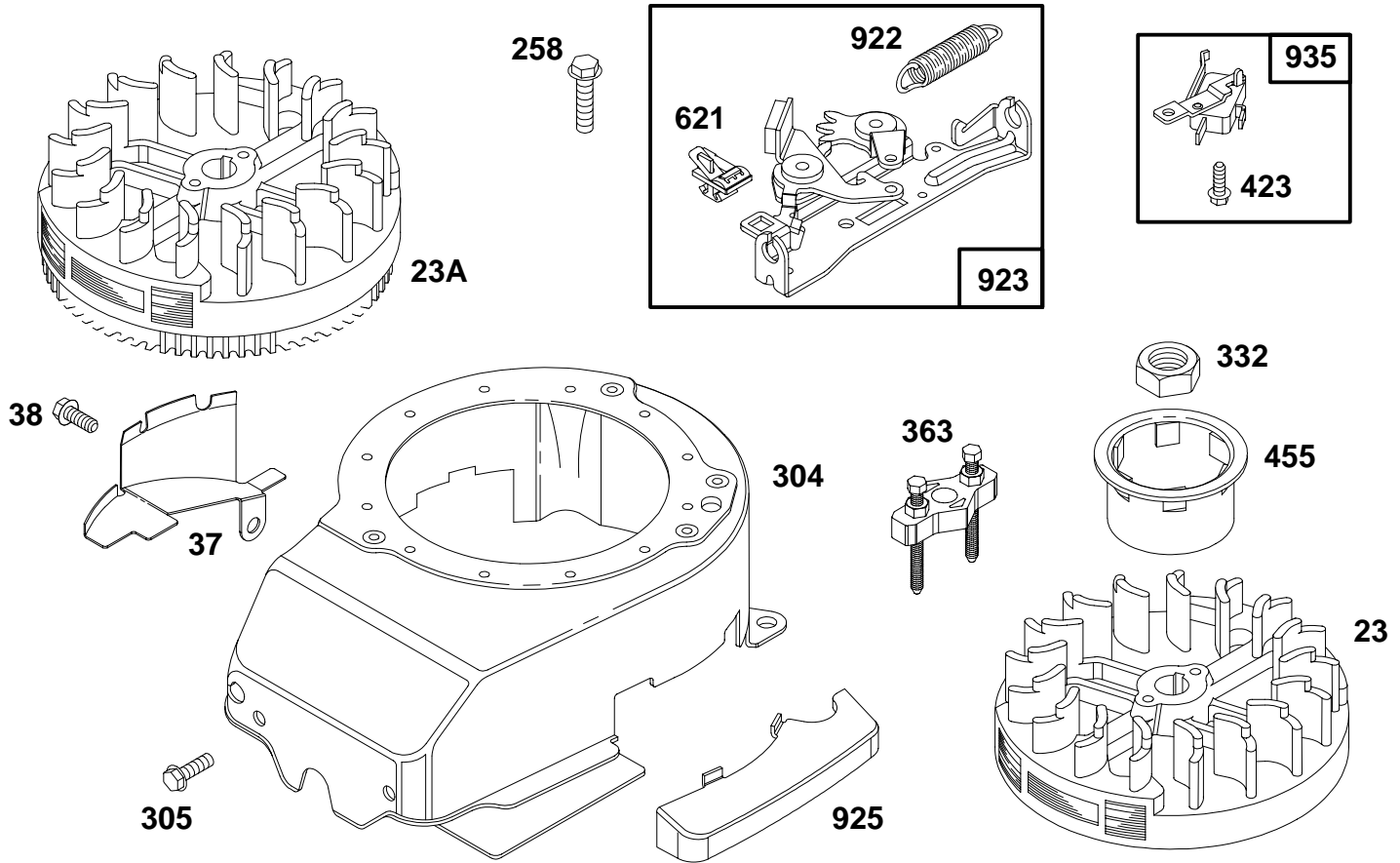
94



| REF. NO. | PART NO. | DESCRIPTION | REF. NO. | PART NO. | DESCRIPTION | REF. NO. | PART NO. | DESCRIPTION |
|----------|----------|----------------------------|----------|----------|-------------------|----------|----------|---------------------|
| 55 | 492831 | Housing-Rewind Starter | 60 | 393152 | Grip-Starter Rope | 608 | 493295 | Starter-Rewind |
| 56 | 493824 | Pulley-Starter | 69 | 280973 | Washer-Spring | | | Include(s): |
| 57 | 262594 | Spring-Rewind Starter | 69A | 224322 | Washer-Flat | | | 94128 Screw-Hex. Hd |
| 58 | 280399 | Rope-Starter (Cut To Suit) | 456 | 224321 | Retainer-Spring | | | 92987 Nut-Hex. |
| 59 | 396892 | Insert-Handle | 459 | 492833 | Pawl-Ratchet | 946 | 223294 | Stop-Rope |
| | | | 461 | 262626 | Pin-Shaft | 946A | 396526 | Guide-Rope |
| | | | 515 | 262625 | Spring-Retainer | 1016 | 224278 | Cover-Pulley |

★ Included in Gasket Set-See Ref. 358.
 ● Included in Carburetor Kit-Part No. 493762.
 ◆ Included in Carburetor Gasket Set-Part No. 490937.

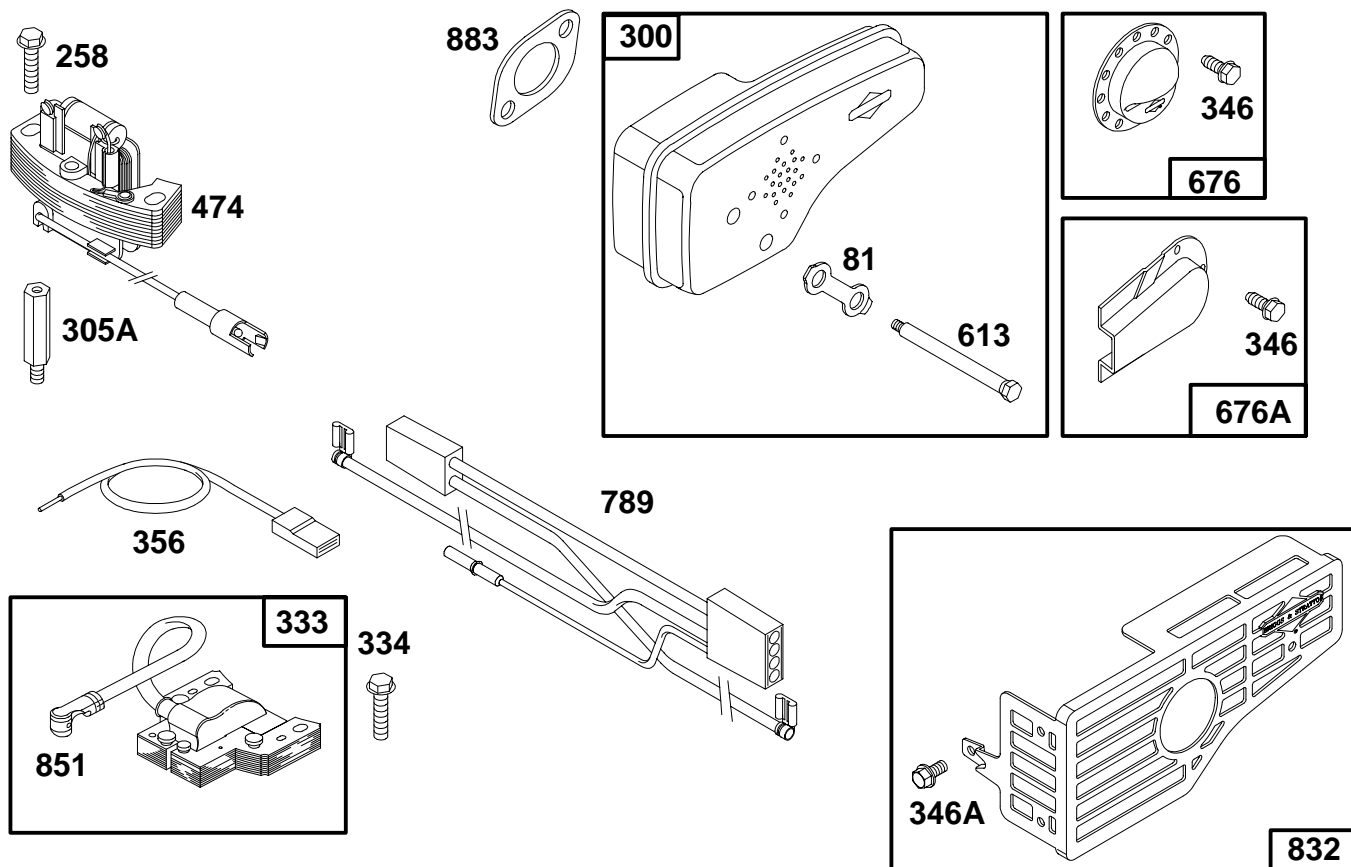
122800 to 122899



| REF. NO. | PART NO. | DESCRIPTION | REF. NO. | PART NO. | DESCRIPTION | REF. NO. | PART NO. | DESCRIPTION |
|----------|----------|---|----------|----------|--|----------|----------|------------------|
| 23 | 492177 | Flywheel | 304 | 493293 | Housing-Blower Used on Engines With Band Brake. | 332 | 92284 | Nut-Flywheel |
| 23A | 492175 | Flywheel Used on Model Series 122807. | | | Note | 363 | 19069 | Flywheel Puller |
| 37 | 224511 | Guard-Flywheel | | | 493294 | 455 | 224250 | Cup-Flywheel |
| 38 | 94608 | Screw-Hex. Head | | | Housing-Blower Used On Engines Without Band Brake. | 621 | 396847 | Switch-Stop |
| 258 | 94512 | Screw-Hex. Head | 305 | 94513 | Screw-Hex. Head | 922 | 262640 | Spring-Brake |
| | | | | | | 923 | 493442 | Brake Assembly |
| | | | | | | 925 | 281145 | Cover-Brake |
| | | | | | | 935 | 398758 | Switch-Interlock |

★ Included in Gasket Set-See Ref. 358.
 ● Included in Carburetor Kit-Part No. 493762.
 ◆ Included in Carburetor Gasket Set-Part No. 490937.

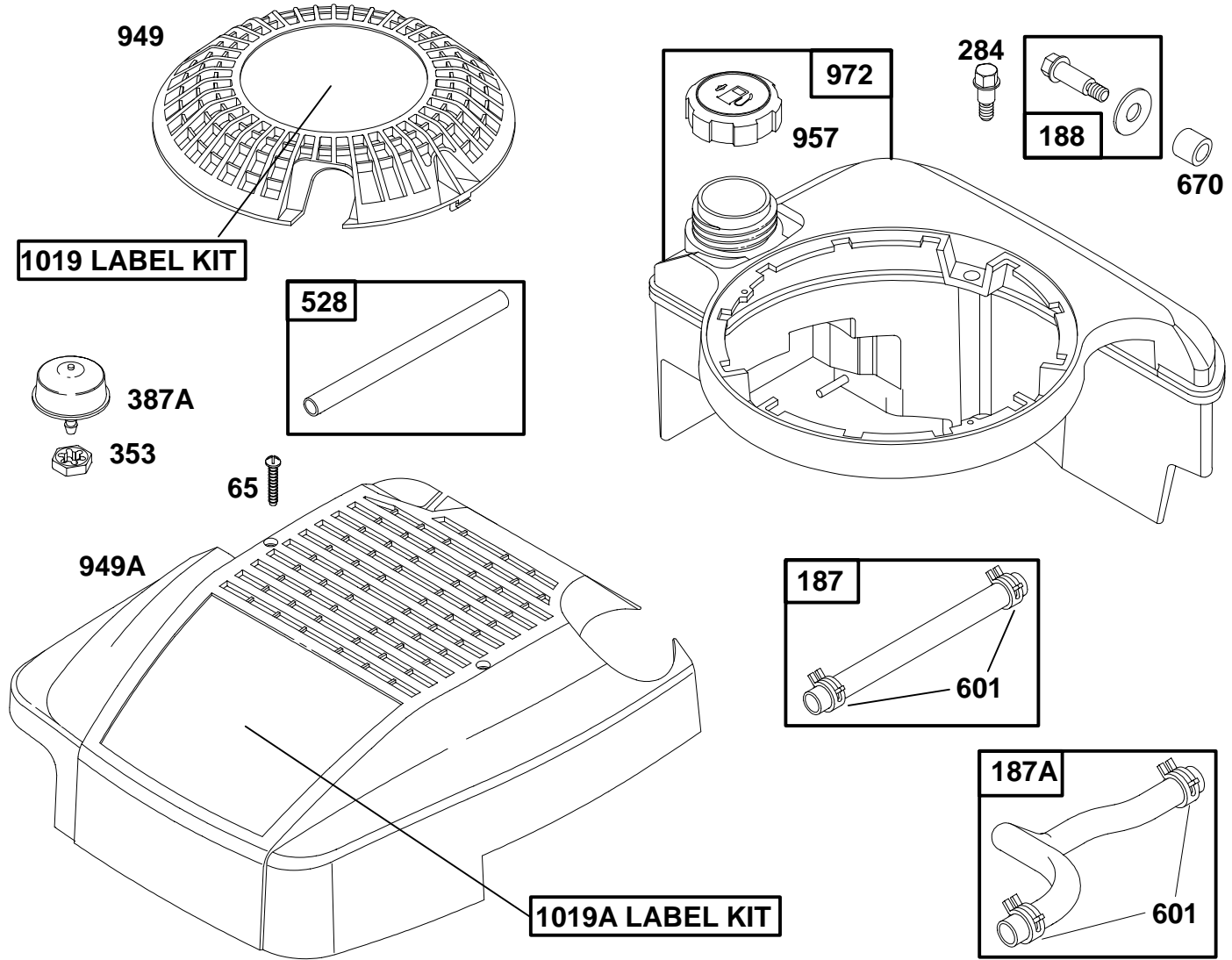
122800 to 122899



| REF. NO. | PART NO. | DESCRIPTION | REF. NO. | PART NO. | DESCRIPTION | REF. NO. | PART NO. | DESCRIPTION |
|----------|----------|----------------------|----------|----------|--------------------|----------|----------|---|
| 81 | 223664 | Lock-Muffler Screw | 346A | 94602 | Screw-Hex. Hd. | 789 | 493380 | Harness-Wiring Used on Engines With Band Brake. |
| 258 | 94512 | Screw-Hex. Head | 356 | 398808 | Wire-Stop | 832 | 494224 | Guard-Muffler |
| 300 | 490547 | Muffler-Exhaust | 474 | 492841 | Alternator | 851 | 221798 | Terminal-Cable |
| 305A | 94510 | Stud-Stator Mounting | 613 | 94231 | Screw-Muffler Mtg. | 883 | ★272253 | Gasket-Exhaust Pipe |
| 333 | 802574 | Armature-Magneto | 676 | 396548 | Deflector-Muffler | | | |
| 334 | 93381 | Screw-Sem | 676A | 493871 | Deflector-Muffler | | | |
| 346 | 93705 | Screw-Hex. Hd. | | | | | | |

- ★ Included in Gasket Set-See Ref. 358.
- Included in Carburetor Kit-Part No. 493762.
- ◆ Included in Carburetor Gasket Set-Part No. 490937.

122800 to 122899



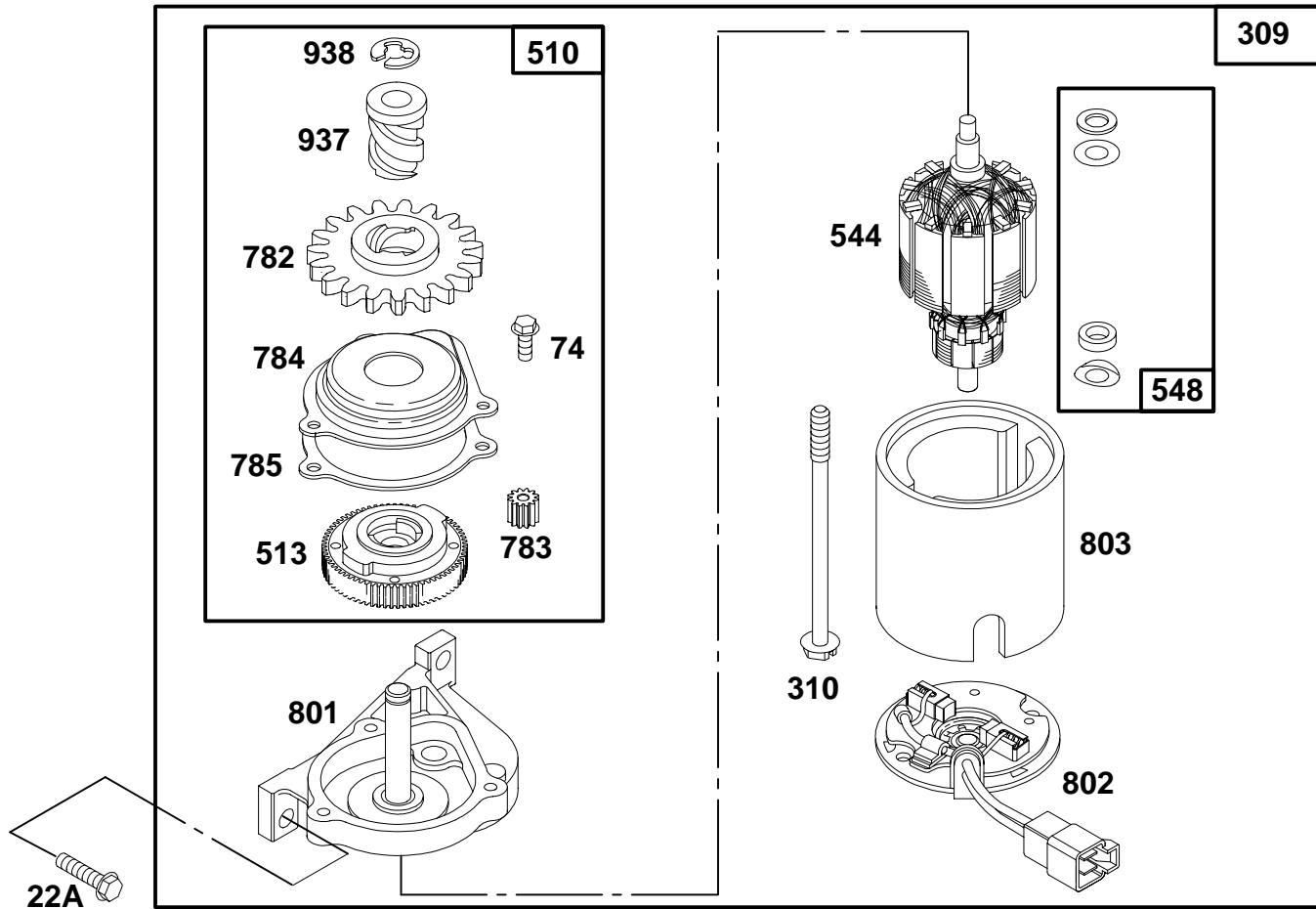
| REF. NO. | PART NO. | DESCRIPTION | REF. NO. | PART NO. | DESCRIPTION | REF. NO. | PART NO. | DESCRIPTION |
|----------|----------|-------------------------|----------|----------|------------------------|----------|----------|------------------------------|
| 65 | 94696 | Screw-Guard Mtg. | 387A | 394281 | Primer-Carburetor | 949A | 497223 | Cover-Finger |
| 187 | 492790 | Line-Fuel (Cut To Suit) | 528 | 399254 | Line-Fuel (For Primer) | 957 | 397974 | Cap-Fuel Tank |
| 187A | 492791 | Line-Fuel | 601 | 93807 | Clamp-Hose (Black) | 972 | 495224 | Tank-Fuel (1.6 Quart, Black) |
| 188 | 398540 | Screw-Tank Mounting | 670 | 280512 | Spacer | 1019 | 494256 | Label Kit |
| 284 | 94511 | Screw-Hex. Hd. | 949 | 281136 | Guard-Finger | 1019A | 495354 | Label Kit |
| 353 | 94581 | Washer-Lock | | | | | | |

- ★ Included in Gasket Set-See Ref. 358.
- Included in Carburetor Kit-Part No. 493762.
- ◆ Included in Carburetor Gasket Set-Part No. 490937.

2569-12

Assemblies include all parts shown in frames.

94



| REF. NO. | PART NO. | DESCRIPTION | REF. NO. | PART NO. | DESCRIPTION | REF. NO. | PART NO. | DESCRIPTION |
|----------|----------|-----------------|----------|----------|------------------|----------|----------|-----------------|
| 22A | 94268 | Screw-Hex. Head | 544 | 492921 | Armature-Starter | 785 | 272201 | Gasket-Cover |
| 74 | 93490 | Screw-Hex. Head | 548 | 492919 | Washer Set | 801 | 492335 | Cap-Drive |
| 309 | 494233 | Motor-Starter | 782 | 281127 | Gear-Starter | 802 | 492922 | Cap-End |
| 310 | 94051 | Screw-Hex. Head | 783 | 261606 | Gear-Starter | 803 | 492920 | Housing-Starter |
| 510 | 494147 | Drive-Starter | 784 | 224262 | Cover-Gear | 938 | 93941 | Retainer-Lock |
| 513 | 394815 | Clutch-Drive | | | | | | |

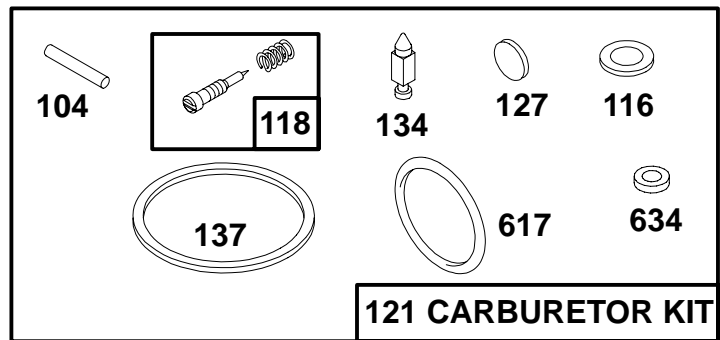
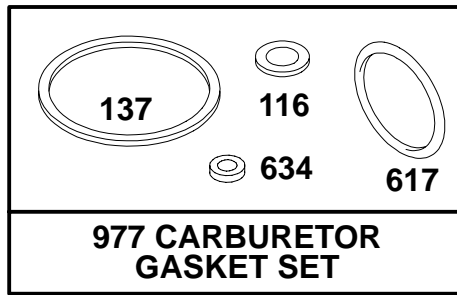
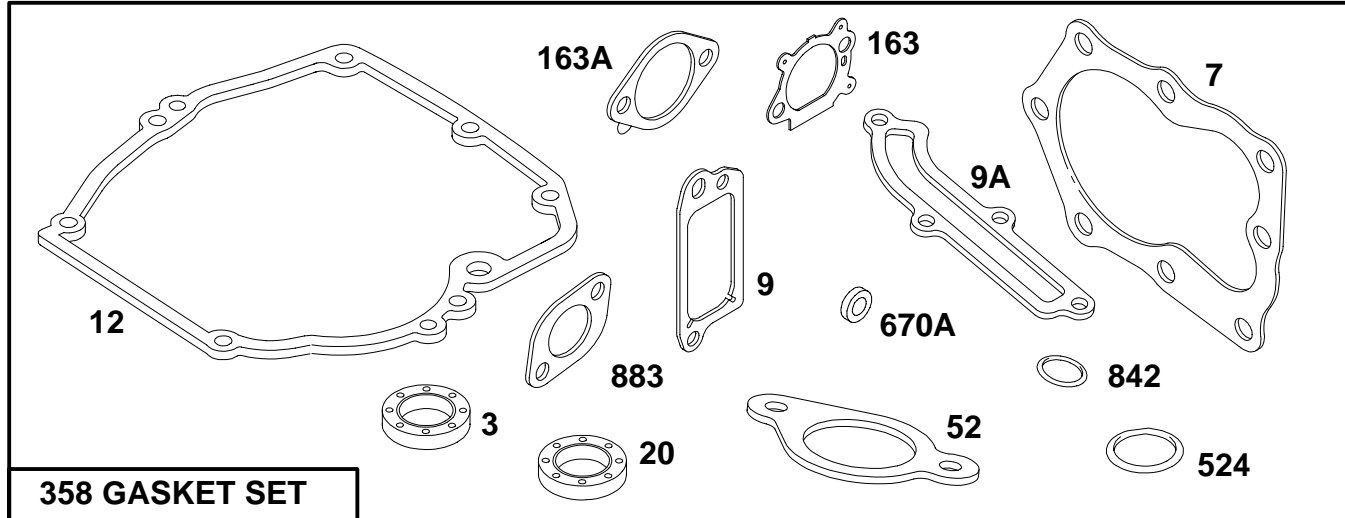
- ★ Included in Gasket Set-See Ref. 358.
- Included in Carburetor Kit-Part No. 493762.
- ◆ Included in Carburetor Gasket Set-Part No. 490937.

2569-13

Assemblies include all parts shown in frames.

94

122800 to 122899



| REF. NO. | PART NO. | DESCRIPTION | REF. NO. | PART NO. | DESCRIPTION | REF. NO. | PART NO. | DESCRIPTION |
|----------|----------|--------------------------------------|----------|----------|--|-------------------------|----------|------------------------------------|
| 3 | ★299819 | Seal-Oil | 134 | ●398188 | Valve-Needle (Sold in Kit Only) | ————— Note ————— | | |
| 7 | ★272200 | Gasket-Cylinder Hd. | 137 | ◆ | Gasket-Float Bowl (Sold in Kit Only) | 524 | ★280393 | Seal-Fill Tube |
| 9 | ★272481 | Gasket-Breather | 163 | ★272653 | Gasket-Air Cleaner | 617 | ◆270344 | Seal-Fuel Intake Tube |
| 9A | ★272238 | Gasket-Breather | 163A | ★272296 | Gasket-Air Cleaner | 634 | ◆ | Washer-Shaft (Sold in Kit Only) |
| 12 | ★272198 | Gasket-Crankcase | 358 | 496117 | Gasket Set (Used After Code Date 93080100). | 670A | ★493823 | Spacer (Includes 2) |
| 20 | ★399781 | Seal-Oil | | | | 842 | ★280966 | Seal |
| 52 | ★272199 | Gasket-Intake Elbow | | | | 883 | ★272253 | Gasket-Exhaust Pipe |
| 104 | ●231371 | Pin-Float Hinge | | | | 977 | 490937 | Gasket Set-Carb. |
| 116 | ◆ | Gasket-Sealing (Sold in Kit Only) | | | | | | |
| 118 | ●493765 | Valve Kit-Needle | | | | | | |
| 121 | 493762 | Carburetor Kit | | | | | | |
| 127 | ● | Plug-Welch | | | | | | |

★ Included in Gasket Set-See Ref. 358.
 ● Included in Carburetor Kit-Part No. 493762.
 ◆ Included in Carburetor Gasket Set-Part No. 490937.